



### Application

- Civil engineering
- Mines, quarries, coal ore & slurries
- Sewage treatment plants
- General pumping purposes

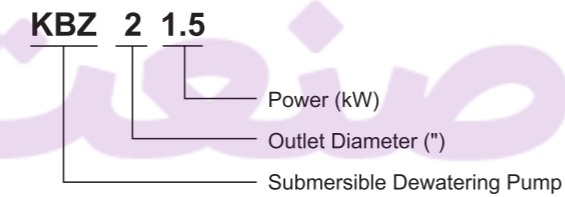
### Pump

- Max. liquid temperature: +40°C
- Flow: up to 60 m³/h
- Head: up to 57 m
- Power: 1.5 kW (2 HP) to 15 kW (20 HP)
- Max. Immersion depth: 25 m
- Optional cable length

### Motor

- Copper winding
- Insulation class: B
- Protection class: IP68

### Identification Codes

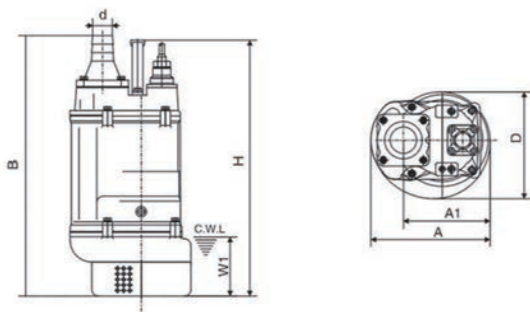


### Technical Data

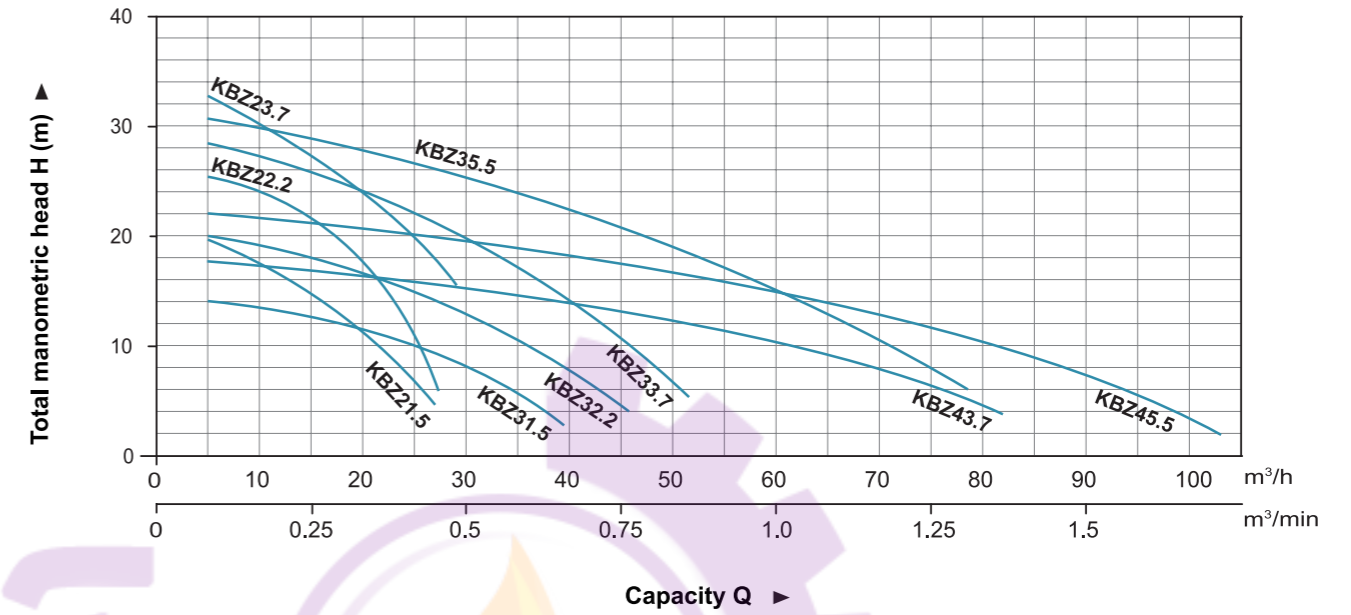
Model	Outlet mm	Power		Max head m	Max flow		Impeller passage mm
		kW	HP		m³/h	m³/min	
KBZ21.5	50	1.5	2	22	27	0.45	8.5
KBZ22.2	50	2.2	3	26	27	0.45	8.5
KBZ23.7	50	3.7	5	34	29	0.48	8.5
KBZ31.5	80	1.5	2	14.5	40	0.67	8.5
KBZ32.2	80	2.2	3	21	50	0.83	8.5
KBZ33.7	80	3.7	5	29	55	0.92	8.5
KBZ35.5	80	5.5	7.5	32	70	1.17	8.5
KBZ43.7	100	3.7	5	18	90	1.5	8.5
KBZ45.5	100	5.5	7.5	23	105	1.75	8.5

### Dimension

Model	d	A	A1	B	D	H	W1
KBZ21.5	50	235	173	517	216	486	120
KBZ31.5	80	235	173	517	216	486	120
KBZ22.2	50	235	173	517	216	486	120
KBZ32.2	80	235	173	517	216	486	120
KBZ23.7	50	283	208	628	252	638	150
KBZ33.7	80	283	208	628	252	638	150
KBZ43.7	100	283	208	642	252	638	150
KBZ35.5	80	306	218	671	259	598	150
KBZ45.5	100	306	218	686	259	598	150

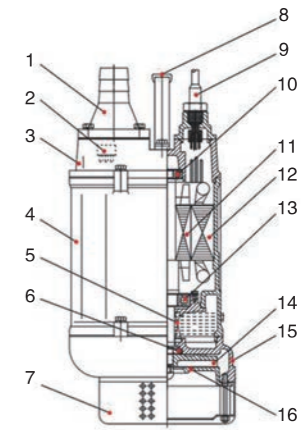


### Hydraulic Performance Curves



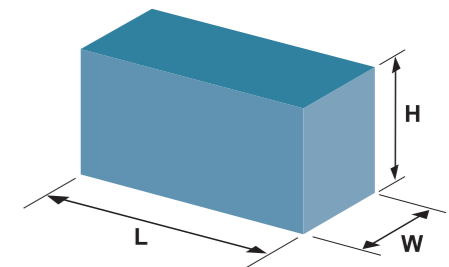
### Materials Table

No.	Part	Material	No.	Part	Material
1	Hose coupling	Cast iron	9	Cable	
2	Thermal protector		10	Bearing	
3	Upper cover	Cast iron	11	Rotor	
4	Motor cover	Cast iron	12	Stator	
5	Oil seal		13	Bearing	
6	Mechanical seal	Sic-Sic/Carbon-Sic (≤2.2 kW) Sic-Sic/Sic-Sic (≥3.7 kW)	14	Impeller	High chrome alloy
7	Strainer	Steel	15	Pump body	Cast iron
8	Handle	Steel	16	Inlet plate	Ductile iron



### Package Information

Model	N.W (kg)	G.W (kg)	L (mm)	W (mm)	H (mm)	Quantity (PCS/20 TEU)
KBZ21.5	34.5	37.5	585	270	270	648
KBZ22.2	36	39	585	270	270	648
KBZ23.7	60	65	685	325	300	406
KBZ31.5	34.5	37	585	270	270	648
KBZ32.2	36	39	585	270	270	648
KBZ33.7	60	65	685	325	300	406
KBZ35.5	77	84	725	355	370	288
KBZ43.7	61	66	685	325	300	406
KBZ45.5	78	85	725	355	370	288





### Application

- Civil engineering
- Mines, quarries, coal ore & slurries
- Sewage treatment plants
- General pumping purposes

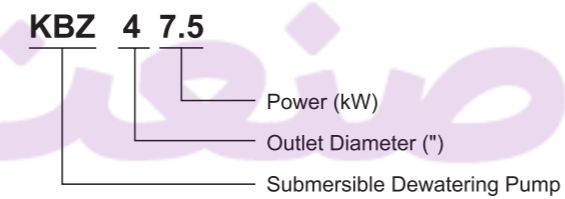
### Pump

- Max. liquid temperature: +40°C
- Flow: up to 60 m³/h
- Head: up to 57 m
- Power: 1.5 kW (2 HP) to 15 kW (20 HP)
- Max. Immersion depth: 25 m
- Optional cable length

### Motor

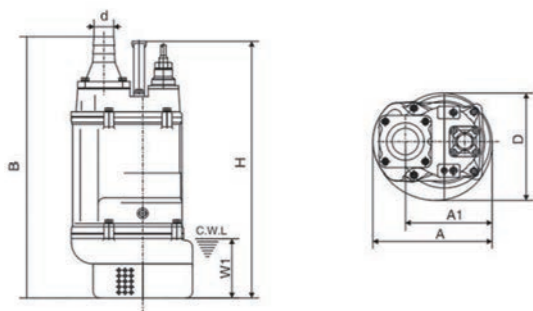
- Copper winding
- Insulation class: B
- Protection class: IP68

### Identification Codes



### Technical Data

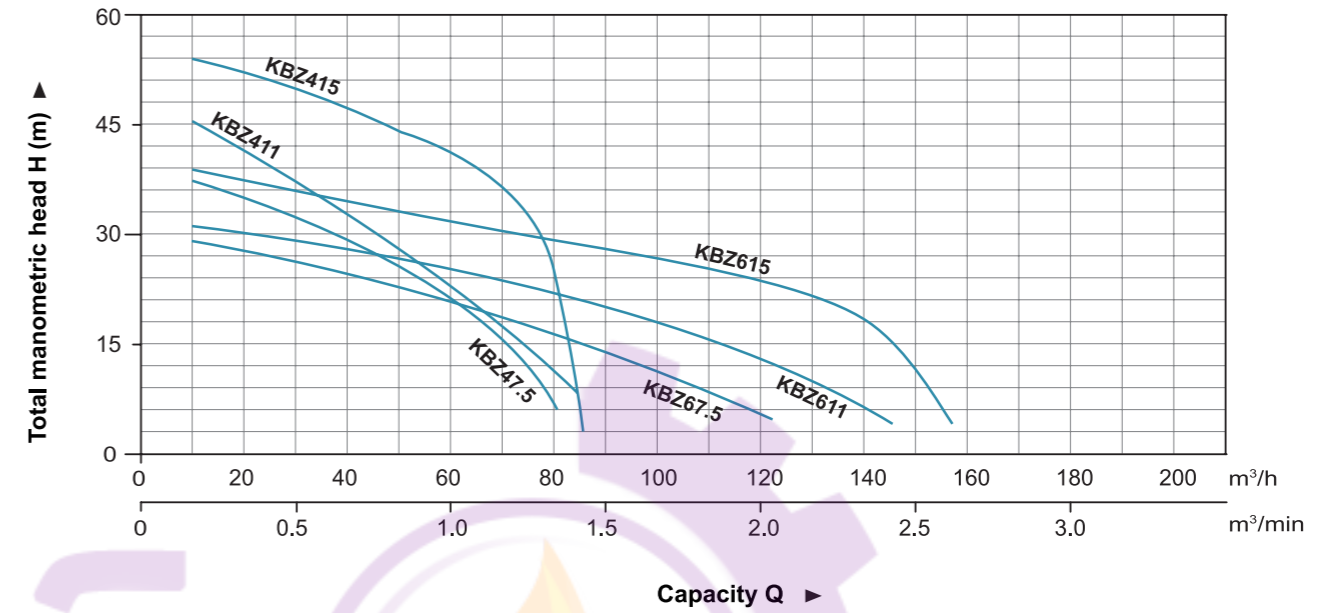
Model	Outlet mm	Power		Max head m	Max flow		Impeller passage mm
		kW	HP		m³/h	m³/min	
KBZ47.5	100	7.5	10	40	84	1.4	11.5
KBZ411	100	11	15	48.5	86.4	1.44	11.5
KBZ415	100	15	20	56	86.4	1.44	11.5
KBZ67.5	150	7.5	10	31	124.8	2.08	19.5
KBZ611	150	11	15	32	147	2.45	19.5
KBZ615	150	15	20	40	156	2.6	19.5



### Dimension

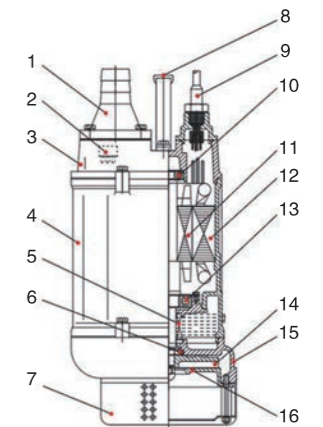
Model	d	A	A1	B	D	H	W1
KBZ47.5	100	330	240	764	314	676	190
KBZ411	100	373	255	807	350	695	190
KBZ67.5	150	330	240	790	314	676	190
KBZ611	150	373	255	807	350	695	190
KBZ415	100	373	255	842	350	755	190
KBZ415	100	373	255	842	350	755	190
KBZ615	150	373	255	842	350	755	190
KBZ615	150	373	255	842	350	755	190

### Hydraulic Performance Curves



### Materials Table

No.	Part	Material	No.	Part	Material
1	Hose coupling	Cast iron	9	Cable	
2	Thermal protector		10	Bearing	
3	Upper cover	Cast iron	11	Rotor	
4	Motor cover	Cast iron	12	Stator	
5	Oil seal		13	Bearing	
6	Mechanical seal	Sic-Sic/Carbon-Sic (≤2.2 kW) Sic-Sic/Sic-Sic (≥3.7 kW)	14	Impeller	High chrome alloy
7	Strainer	Steel	15	Pump body	Cast iron
8	Handle	Steel	16	Inlet plate	Ductile iron



### Package Information

Model	N.W (kg)	G.W (kg)	L (mm)	W (mm)	H (mm)	Quantity (PCS/20' TEU)
KBZ47.5	105	114	805	365	390	215
KBZ411	130	140	895	415	440	160
KBZ415	142	153	895	415	440	160
KBZ67.5	106	114	835	365	390	205
KBZ611	133	143	855	415	440	160
KBZ615	145	156	895	415	440	160

