

Design Pump





1

Lara A

Technical Data

- Adjustable stroke rate via the potentiometer on the device
- On/Off Button
- Easy and flexible installation and usage by the vertical mount desing
- High resistance to corrosive chemicals with the PVDF Pump Head and entire IP65 body
- Electronic circuit controlled electromagnet and long lasting Teflon (PTFE) diaphragm
- Lesser Maintenance by ceramic ball desing
- Suction and injection parts included

Stock Code	Model	L/h	Max. Counter Pressure/Bar	Package Sizes/cm W-L-H	Packed Weight/Kg
301102010101000	DP LARA A 2L/10B V220FAT	2	10	23 x 28 x 21	2,95
301105007101000	DP LARA A 5L/7B V220FAT	5	7		
301110005101000	DP LARA A 10L/5B V220FAT	10	5		
301102020101000	DP LARA A 2L/20B V220FAT	2	20		

Page 2

Standart Box Content



Stock Code : 600110800110000
Stock Name: SUCTION KIT 4X6 V



Stock Code : 600110700311000
Stock Name: INJECTION KIT 4X6 V



Stock Code : 600110500100000
Stock Name: PIPE KIT V
Stock Code : 600110400200000
Stock Name: MOUNTING KIT DP

Not Included to Standart Box

ACCESSORIES



Stock Code : 600110800130000
Stock Name: SUCTION KIT 4X6 P
Stock Code : 600110700313000
Stock Name: INJECTION KIT 4X6 P

Application Areas



▶ Swimming Pools



▶ Drinking Water



▶ Waste Water



▶ Cooling Towers



▶ Boilers



▶ Industrial Processes



▶ Agriculture



2

Lara APS

Technical Data

- Adjustable stroke rate via the potentiometer on the device
- Liquid level control and 1/10 adjustment button
- Easy and flexible installation and usage by the vertical mount desing
- High resistance to corrosive chemicals with the PVDF Pump Head and entire IP65 body
- Electronic circuit controlled electromagnet and long lasting Teflon (PTFE) diaphragm
- Lesser Maintenance by ceramic ball desing
- Suction and injection parts included

Stock Code	Model	L/h	Max. Counter Pressure/Bar	Package Sizes/cm W-L-H	Packed Weight/Kg
301302010101000	DP LARA APS 2L/10B V220FAT	2	10	23 x 28 x 21	3,00
301305007101000	DP LARA APS 5L/7B V220FAT	5	7		
301310005101000	DP LARA APS 10L/5B V220FAT	10	5		
301302020101000	DP LARA APS 2L/20B V220FAT	2	20		

Page 3

Standart Box Content

Not Included to Standart Box



Stock Code : 600110800110000
Stock Name: SUCTION KIT 4X6 V



Stock Code : 600110700311000
Stock Name: INJECTION KIT 4X6 V



Stock Code : 600110500100000
Stock Name: PIPE KIT V
Stock Code : 600110400200000
Stock Name: MOUNTING KIT DP

ACCESSORIES



Stock Code : 600110800131000
Stock Name: SUCTION 4X6 PS
Stock Code : 600110700313000
Stock Name: INJECTION KIT 4X6 P

Application Areas



Swimming Pools



Drinking Water



Waste Water



Cooling Towers



Boilers



Industrial Processes



Agriculture



3

Lara DS

Technical Data

- Digital screen, precise dosing with micro controller technology, time adjustment and user password parameters
- User friendly button technology with easy menu
- Liquid level control
- Easy and flexible installation and usage by the vertical mount desing
- High resistance to corrosive chemicals with the PVDF Pump Head and entire IP65 body
- Electronic circuit controlled electromagnet and long lasting Teflon (PTFE) diaphragm
- Lesser Maintenance by ceramic ball desing
- Suction and injection parts included

Stock Code	Model	L/h	Max. Counter Pressure/Bar	Package Sizes/cm W-L-H	Packed Weight/Kg
301402010101000	DP LARA DS 2L/10B V220FAT	2	10	23 x 28 x 21	3,10
301405007101000	DP LARA DS 5L/7B V220FAT	5	7		
301410005101000	DP LARA DS 10L/5B V220FAT	10	5		
301402020101000	DP LARA DS 2L/20B V220FAT	2	20		

Page 4

Standart Box Content

Not Included to Standart Box



Stock Code : 600110800110000
Stock Name: SUCTION KIT 4X6 V



Stock Code : 600110700311000
Stock Name: INJECTION KIT 4X6 V



Stock Code : 600110500100000
Stock Name: PIPE KIT V
Stock Code : 600110400200000
Stock Name: MOUNTING KIT DP

ACCESSORIES



Stock Code : 600110800131000
Stock Name: SUCTION 4X6 PS
Stock Code : 600110700313000
Stock Name: INJECTION KIT 4X6 P

Application Areas



Swimming Pools



Drinking Water



Waste Water



Cooling Towers



Boilers



Industrial Processes



Agriculture



4

Lara DMS

Technical Data

- Digital screen, precise dosing with micro controller technology, time adjustment, liquid level control and user password parameters
- Proportional volumetric control when connected to water meters
- 4-20mA analog input, liquid level alarm relay
- Easy and flexible installation and usage by the vertical mount desing
- High resistance to corrosive chemicals with the PVDF Pump Head and entire IP65 body
- Electronic circuit controlled electromagnet and long lasting Teflon (PTFE) diaphragm
- Lesser Maintenance by ceramic ball desing
- Suction and injection parts included

Stock Code	Model	L/h	Max. Counter Pressure/Bar	Package Sizes/cm W-L-H	Packed Weight/Kg
301602010101000	DP LARA DMS 2L/10B V220FAT	2	10	23 x 28 x 21	3,15
301605007101000	DP LARA DMS 5L/7B V220FAT	5	7		
301610005101000	DP LARA DMS 10L/5B V220FAT	10	5		
301602020101000	DP LARA DMS 2L/20B V220FAT	2	20		

Page 5

Standart Box Content

Not Included to Standart Box



Stock Code : 600110800110000
Stock Name: SUCTION KIT 4X6 V



Stock Code : 600110700311000
Stock Name: INJECTION KIT 4X6 V



Stock Code : 600110500100000
Stock Name: PIPE KIT V
Stock Code : 600110400200000
Stock Name: MOUNTING KIT DP

ACCESSORIES



Stock Code : 600110800131000
Stock Name: SUCTION 4X6 PS
Stock Code : 600110700313000
Stock Name: INJECTION KIT 4X6 P

Application Areas



Swimming Pools



Drinking Water



Waste Water



Cooling Towers



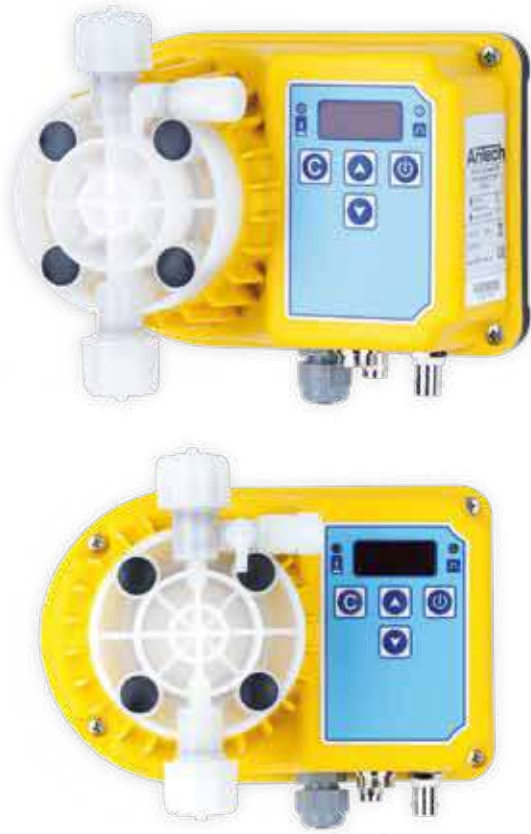
Boilers



Industrial Processes



Agriculture



5

Lara PR

Technical Data

- REDOX and pH measurement with standart combination electrodes
- Totally digital and automatic calibration by using buffer solutions
- Startup Delay function, adjustable timer for correct reading measurements according to chemical reaction time (0-60 min.)
- Liquid level control , LCAP (% 10 capacity) running mode, user password Easy and flexible installation and usage by the vertical mount desing
- High resistance to corrosive chemicals with the PVDF Pump Head and entire IP65 body Electronic circuit controlled electromagnet and long lasting Teflon(PTFE) diaphragm Lesser Maintenance by ceramic ball desing
- Suction, injection parts and liquid level sensor accesories included

Stock Code	Model	L/h	Max. Counter Pressure/Bar	Package Sizes/cm W-L-H	Packed Weight/Kg
301002010101000	DP LARA PR 2L/10B V220FAT	2	10	23 x 28 x 21	3,60
301005007101000	DP LARA PR 5L/7B V220FAT	5	7		
301010005101000	DP LARA PR 10L/5B V220FAT	10	5		
301002020101000	DP LARA PR 2L/20B V220FAT	2	20		

Page 6

Standart Box Content

Not Included to Standart Box



Stock Code : 600110800110000
Stock Name: SUCTION KIT 4X6 V



Stock Code : 600110700311000
Stock Name: INJECTION KIT 4X6 V



Stock Code : 600110500100000
Stock Name: PIPE KIT V
Stock Code : 600110400200000
Stock Name: MOUNTING KIT DP

ACCESSORIES



Stock Code : 600110800131000
Stock Name: SUCTION 4X6 PS
Stock Code : 600110700313000
Stock Name: INJECTION KIT 4X6 P

Application Areas



Swimming Pools



Drinking Water



Waste Water



Cooling Towers



Boilers



Industrial Processes



Agriculture

Stok Kodu	Model	Açıklama
410150011100001	PROBE HOLDER SET P 1 S	ELECTRODE PH 6M SENSOR XS + PROBE HOLDER SUBMERSIBLE + CALIBRATION SOLUTIONS
410150011200001	PROBE HOLDER SET P 2 S	ELECTRODE PH 6M SE NSOR XS + FLOW CELL SINGLE WITH FILTER + ELECTRODE CELL MOUNTAGE SET+ CALIBRATION SOLUTIONS
410150011300001	PROBE HOLDER SET P 3 S	ELECTRODE PH 6M SENSOR XS + ELECTRODE FIXING GLAND 1/2 + CALIBRATION SOLUTIONS
410150012100001	PROBE HOLDER SET R 1 S	ELECTRODE ORP 6M SENSOR XS + PROBE HOLDER SUBMERSIBLE + CALIBRATION SOLUTIONS
410150012200001	PROBE HOLDER SET R 2 S	ELECTRODE ORP 6M SENSOR XS + FLOW CELL SINGLE WITH FILTER + ELECTRODE CELL MOUNTAGE SET+ CALIBRATION SOLUTIONS
410150012300001	PROBE HOLDER SET R 3 S	ELECTRODE ORP 6M SENSOR XS + ELECTRODE FIXING GLAND 1/2 + CALIBRATION SOLUTIONS
410150021100001	PROBE HOLDER SET P 1 E	ELECTRODE PH 6M ANTECH + PROBE HOLDER SUBMERSIBLE + CALIBRATION SOLUTIONS
410150021200001	PROBE HOLDER SET P 2 E	ELECTRODE PH 6M ANTECH + FLOW CELL SINGLE WITH FILTER + ELECTRODE CELL MOUNTAGE SET+ CALIBRATION SOLUTIONS
410150021300001	PROBE HOLDER SET P 3 E	ELECTRODE PH 6M ANTECH + ELECTRODE FIXING GLAND 1/2 + CALIBRATION SOLUTIONS
410150022100001	PROBE HOLDER SET R 1 E	ELECTRODE ORP 6M ANTECH + PROBE HOLDER SUBMERSIBLE + CALIBRATION SOLUTIONS
410150022200001	PROBE HOLDER SET R 2 E	ELECTRODE ORP 6M ANTECH + FLOW CELL SINGLE WITH FILTER + ELECTRODE CELL MOUNTAGE SET+ CALIBRATION SOLUTIONS
410150022300001	PROBE HOLDER SET R 3 E	ELECTRODE ORP 6M ANTECH + ELECTRODE FIXING GLAND 1/2 + CALIBRATION SOLUTIONS

آتور صنعت
ATOORSANAT



ELECTRODE PH 6M SENSOR XS



ELECTRODE PH 6M ANTECH



ELECTRODE ORP 6M SENSOR XS



ELECTRODE ORP 6M ANTECH



PROBE HOLDER SUBMERSIBLE



FLOW CELL SINGLE WITH FILTER



ELECTRODE CELL MOUNTAGE SET



ELECTRODE FIXING GLAND 1/2



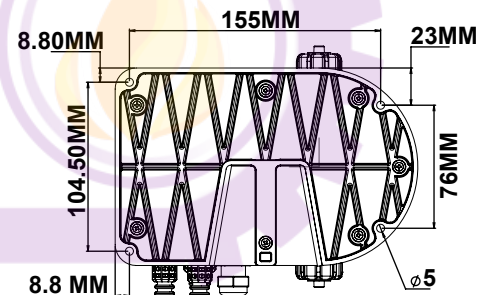
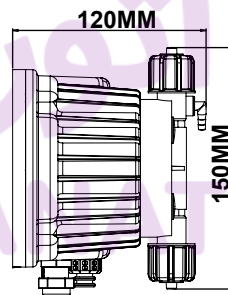
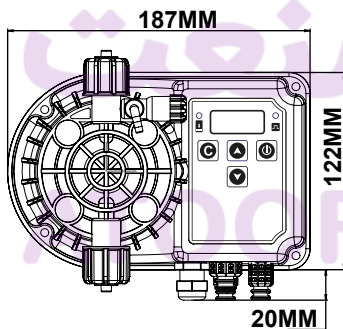
CALIBRATION SOLUTIONS ORP



CALIBRATION SOLUTIONS PH

LARA SERIES TECHNICAL SPECS

Model		Max./Lt	Max./P	Stroke/dk	ml/Stroke	Supply voltage	Watt	Weight	Body	Max. Ambient Temperature	Max. Chemical Temperature
		Lt / h	Bar	strok	ml	Volt	W	kg	IP	°C	°C
A	2L/10B	2	10	150	0,222	230V AC 50-60 Hz	17	2,2	65	0-45	0-40
APS	5L/7B	5	7	150	0,555						
DS											
DMS	10L/5B	10	5	150	1,111						
PR	2L/20B	2	20	150	0,222						

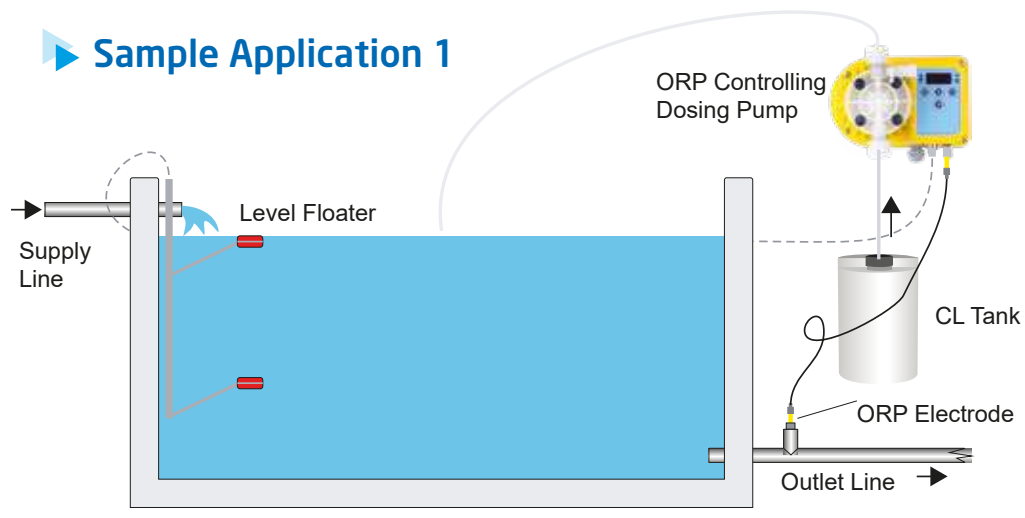


Lara Series Dosing Pump Used Parts and Materials

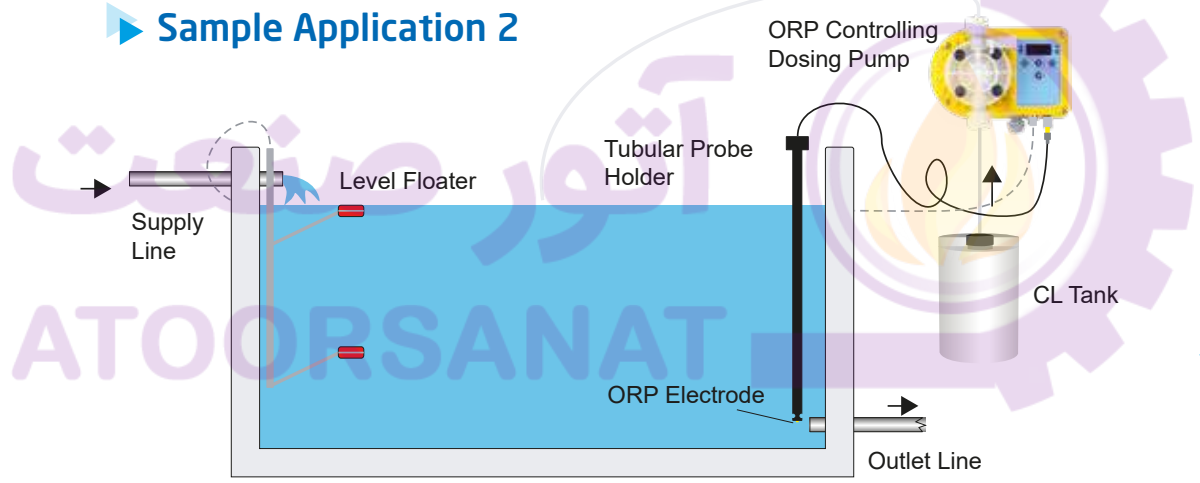
Pump Head	PVDF	
Pump Body	PP	
Check valves*	Suction Set	PP-PVDF*, Zirconium Ball, Viton-EPDM* Oring
	Injection Set	PP-PVDF*, Zirconium Ball, Viton-EPDM* Oring
	Pump Head Set	PVDF, Zirconium Ball, Viton-EPDM* Oring
Diaphragm	PTFE	
Glands	PVDF	
O-Rings	Viton-EPDM*	
Suction Pipe	PVC/PE*	
Injection Pipe	PE	
Ventilating Pipe	PVC/PE*	

*: May vary by model

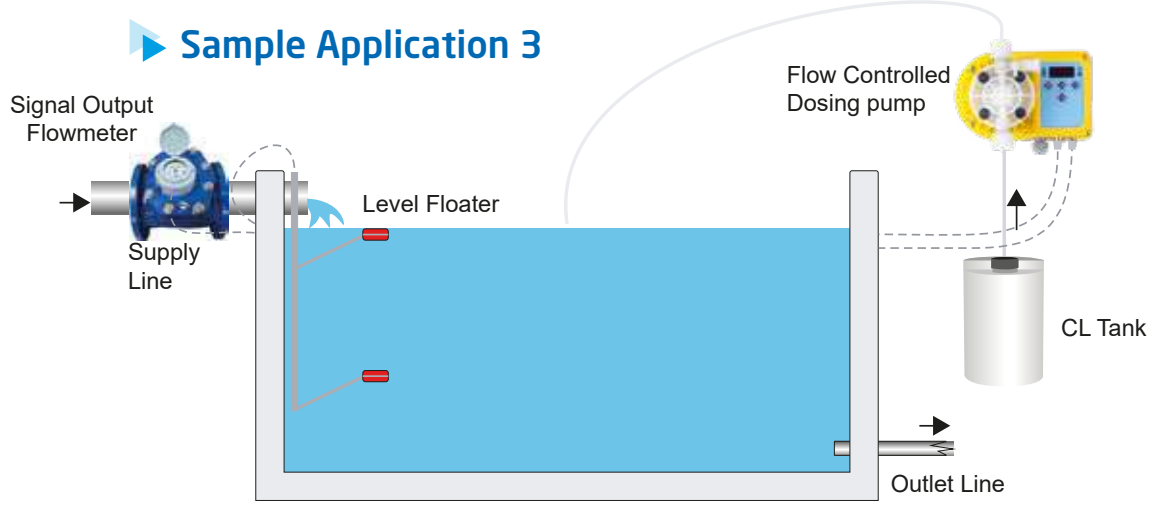
▶ **Sample Application 1**



▶ **Sample Application 2**



▶ **Sample Application 3**





6

Nano A

Technical Data

- Adjustable stroke rate via the potentiometer on the device
- Easy and flexible installation and usage by the vertical mount desing
- High resistance to corrosive chemicals with the PP Pump Head and entire IP65 body
- Electronic circuit controlled electromagnet and long lasting Teflon (PTFE) diaphragm
- Lesser Maintenance by ceramic ball desing
- Suction, injection parts and liquid level sensor accesories included

Stock Code	Model	L/h	Max. Counter Pressure/Bar	Package Sizes/cm W-L-H	Packed Weight/Kg
302105005101000	DP NANO A 5L/5B V220FAT	5	5	21 X 24 X 18	2,45
302102010101000	DP NANO A 2L/10B V220FAT	2	10		
302100505101000	DP NANO A 0,5L/5B V220FAT	0,5	5		

Page 10

Standart Box Content



Stock Code : 600110800110000
Stock Name: SUCTION KIT 4X6 V



Stock Code : 600110700311000
Stock Name: INJECTION KIT 4X6 V



Stock Code : 600110500100000
Stock Name: PIPE KIT V
Stock Code : 600110400300000
Stock Name: MOUNTING KIT DP

Not Included to Standart Box

ACCESSORIES



Stock Code : TS310144120000000
Stock Name: TS CHECK VALVE KIT V

Application Areas



▶ Swimming Pools



▶ Drinking Water



▶ Waste Water



▶ Cooling Towers



▶ Boilers



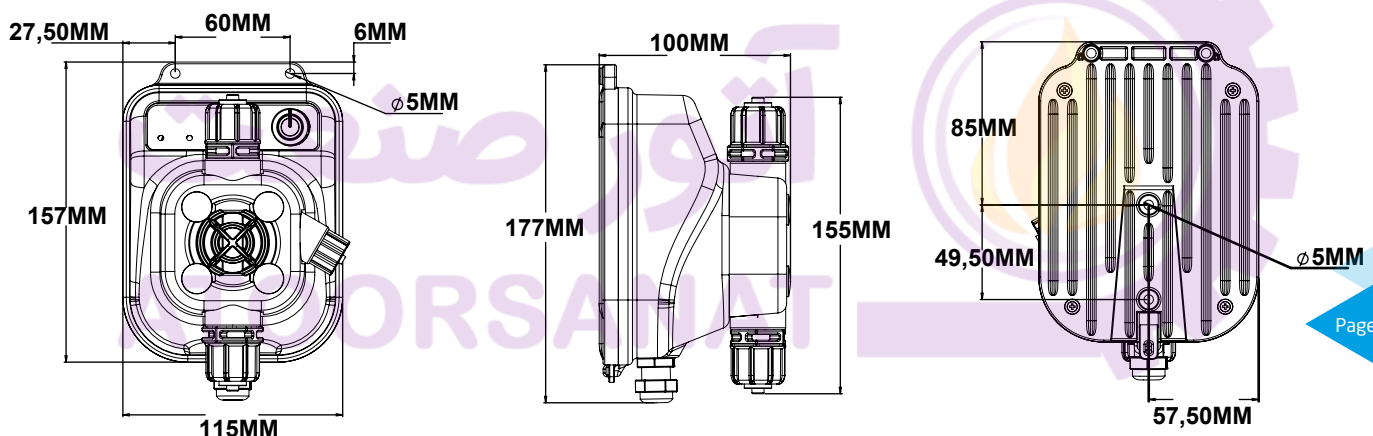
▶ Industrial Processes



▶ Agriculture

NANO Series Technical Specs

Model		Max./Lt	Max./P	Stroke/dkml/Stroke	Supply voltage	Watt	Weight	Body	Max. Ambient Temperature	Max. Chemical Temperature	
		Lt / h	Bar	Stroke ml	Volt	W	kg	IP	°C	°C	
A	2L/10B	2	10	180	230 VAC 50Hz	10	2,2	65	0-45	0-40	
	5L/5B	5	5	180							0,463
	0,5L/5B	0,5	5	180							0,046



NANO Series Dosing Pump Used Parts and Materials

Pump Head	PP	
Pump Body	PP	
Check valves*	Suction Set	PP, Zirconium Ball, Viton-EPDM* Oring
	Injection Set	PP, Zirconium Ball, Viton-EPDM* Oring
	Pump Head Set	PP, Zirconium Ball, Viton-EPDM* Oring
Diaphragm	PTFE	
Glands	PP	
O-Rings	Viton-EPDM*	
Suction Pipe	PVC	
Injection Pipe	PE	
Ventilating Pipe	PVC	

*: May vary by model



7

Nova

Technical Data

- Adjustable stroke rate via the potentiometer
- 95- 260 VAC working range and selenoid driven technology that can do automatic adaptatiton accordingly to line voltage
- Low energy consumption
- Easy and flexible installation and usage by the vertical mount desing and alternative mounting advantage by base fixing bracket.
- High resistance to corrosive chemicals with the PVDF Pump Head and entire IP65 body
- Electronic circuit controlled electromagnet and long lasting Teflon (PTFE) diaphragm
- Lesser Maintenance by ceramic ball desing Suction and injection parts included
- Easy disamble cable socket
- Double Liquid Level Control Input
- 1/10 Adjustment Button

Stock Code	Model	L/h	Max. Counter Pressure/Bar	Package Sizes/cm W-L-H	Packed Weight/Kg
306125005302000	DP NOVA A 25L/5B VACFAT	25	5	23x32x23	4,10

Page 12

Standart Box Content



Stock Code : 600110800531000
Stock Name: SUCTION KIT 9X12 PS



Stock Code : 600110700343000
Stock Name: INJECTION KIT 9X12 P



Stock Code : 600110500120000
Stock Name: PIPE KIT V 9x12
Stock Code : 600110400700000
Stock Name: MOUNTING KIT DP NOVA



Stock Code : 500010079100010
Stock Name: Base Fixing Bracket DP NOVA

Application Areas



▶ Swimming Pools



▶ Drinking Water



▶ Waste Water



▶ Cooling Towers



▶ Boilers



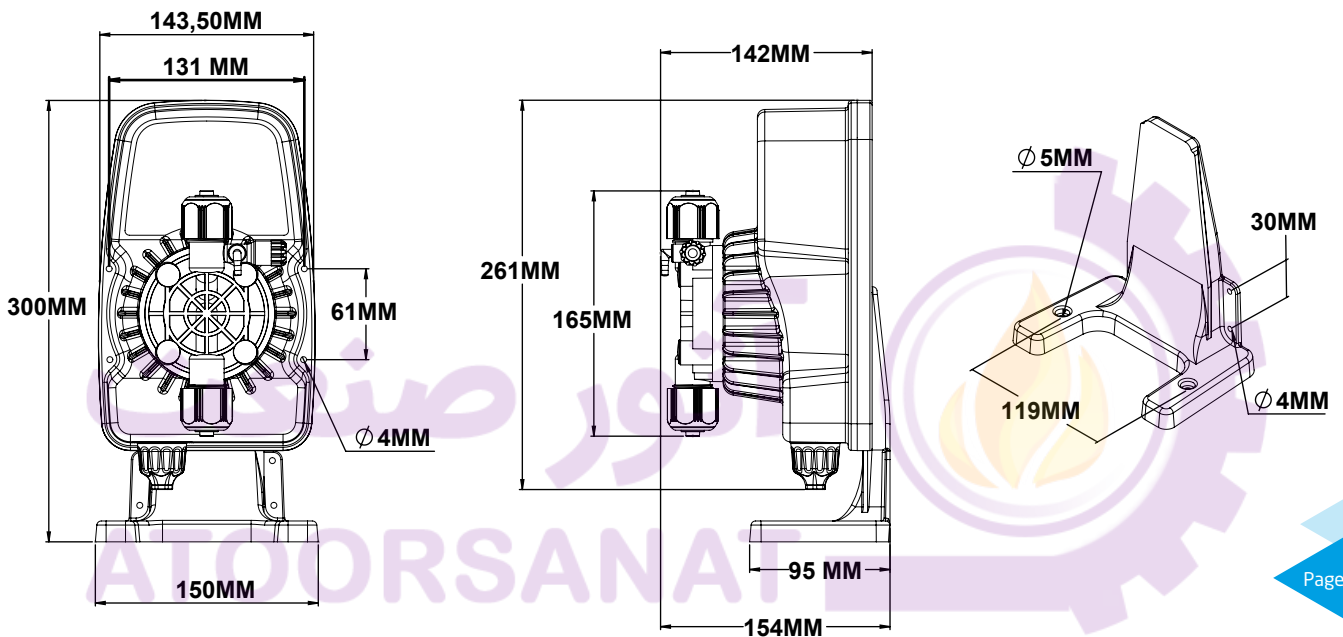
▶ Industrial Processes



▶ Agriculture

NOVA Series Technical Specs

Model		Max./Lt	Max./P	Stroke/dkml/Stroke	Supply voltage	Watt	Weight	Body	Max. Ambient Temperature	Max. Chemical Temperature	
		Lt / h	Bar	Stroke	ml	Volt	W	kg	IP	°C	°C
A	25L/5B	25	5	300	1,389	95-260 VAC 50-60 Hz	17	3	67	0-45	0-40



NOVA Series Dosing Pump Used Parts and Materials

Pump Head	PVDF	
Pump Body	PP	
Check valves*	Suction Set	PVDF, Zirconium Ball, Viton-EPDM* Oring
	Injection Set	PVDF, Zirconium Ball, Viton-EPDM* Oring
	Pump Head Set	PVDF, Zirconium Ball, Viton-EPDM* Oring
Diaphragm	PTFE	
Glands	PVDF	
O-Rings	Viton-EPDM*	
Suction Pipe	PVC / PE*	
Injection Pipe	PE	
Ventilating Pipe	PVC / PE*	

*: May vary by model



8

Aspendose

Technical Data

- Adjustable Flow Rate
- Rapid Button
- PP- IP 65 Chemical Resistant Body
- On-Off Button
- Long-lasting roller system
- Chemical Discharge Tip
- ph-Chlorine(A), Rinse Aid(R) and Detergent(D) model options
- Easy mount and dismount via back lid slider

Stock codes and names for the box content

- | | |
|---|--|
| ① Stock Code :600110800140000
Stock Name:SUCTION KIT 4X6 PER | ② Stock Code :600110700311000
Stock Name:INJECTION KIT4 x 6 V |
| ③ Stock Code :600110800100000
Stock Name:SUCTION KIT 4X6 ASPENDOSE | ④ Stock Code :600110700113100
Stock Name:INJECTION KIT ASPENDOSE 4X6 PVDF |
| ⑤ Stock Code :600110700211100
Stock Name:INJECTION KIT METAL 4X6 V ASPENDOSE | ⑥ Stock Code :500010066120000
Stock Name:Nozzle Kit For Pipe ASPENDOSE |
| ⑦ Stock Code : 600110500000000
Stock Name: PIPE KIT 4X6 ASPENDOSE | ⑧ Stock Code :600110400800000
Stock Name: PIPE KIT ASPENDOSE |

Stock Code	Model	L/h	Max. Counter Pressure/Bar	Package Sizes/cm W-L-H	Packed Weight/Kg
340051005101000	ASPENDOSE A 5,1L/0,5B A 220AT	5,1	0,5	20x15x13	0,90
340051005201000	ASPENDOSE A 5,1L/0,5B D 220AT	5,1	0,5		
340028030301000	ASPENDOSE A 2,8L/3B R 220AT	2,8	3		

Page 14

Standart Box Content



Not Included to Standart Box

ACCESSORIES



Stock Code : 500010063200000
Stock Name: Chrome Nozzle Tee

Application Areas



Swimming Pools



Laundry



Industrial Dishwasher



Drinking Water



Waste Water



Industrial Processes



Car Wash



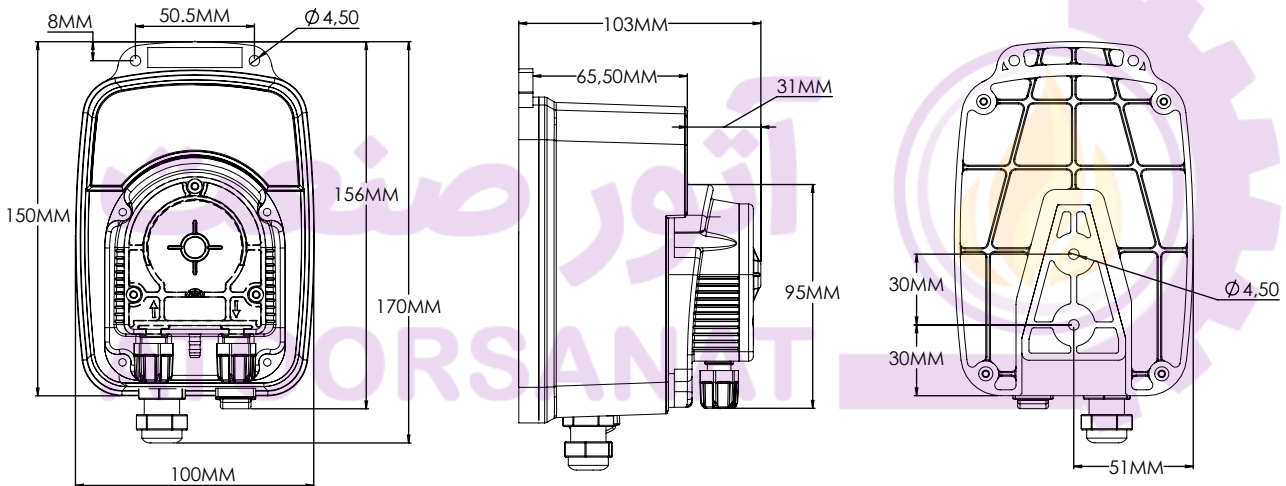
Agriculture

ASPENDOSE Series Technical Specs

Model	Chemical Application	Min./Lt	Max./Lt	Max./P	Supply voltage	Watt	Weight	Weight	Max. Ambient Temperature	Max. Chemical Temperature	
		Lt / h	Lt / h	Bar	Volt	W	kg	IP	°C	°C	
A	5,1L/0,5B A	A (pH-CL)*	0,7	5,1	0,5	95-260 VAC 50-60 Hz	3,5	0,635	65	0-45	0-45
	5,1L/0,5B D	D (Detergent)	0,7	5,1	0,5						
	2,8L/3B R	R (Rinse Aid)	0,5	2,8	3						

* pH : max. %40 H₂SO₄ (Sülfürik Asit)

*CL: max. %16 NaOCl (Sodyum Hipoclorit)



ASPENDOSE Series Dosing Pump Used Parts and Materials

Pump Model	A (pH-CL)	D (Detergent)	R (Rinse Aid)
Oem Head	PP	PP	PP
Pump Body	PP	PP	PP
Suction Set	PP, Viton Oring	PP, SS316, Viton Oring	PP, SS316, Viton Oring
Injection Set	PP, Viton Oring, Zirconium Ball	PVDF, EPDM Oring	PVDF, SS316, Viton Oring
Roller Amount	3 Roller	3 Roller	2 Roller
Pipe	Norprene	Norprene	Silicon
Glands	PP	PP	PP
Suction Pipe	PVC	PVC	PVC
Injection Pipe	PE	PE	PE
Ventilating Pipe	PVC	PVC	PVC



8

ASPENDOSE OEM

Technical Data

- Chemical Resistant PP body
- Chemical Discharge Tip
- Long-lasting roller system
- ph-Chlorine, Rinse Aid and Detergent model options
- 24v Power Supply
- Compact design for easy mountage

Stock Code	Model	L/h	Max. Counter Pressure/Bar	Package Sizes/cm W-L-H	Packed Weight/Kg
600111300331000	ASPENDOSE OEM 2,8L/3B 24	2,8	3	12x12x8,5	0,28
600111300321000	ASPENDOSE OEM 5,1L/0,5B 24	5,1	0,5		

Page 16

Mountage parts are not included to standart box content. You can select the additional parts packages according to your application down below .

A (pH-CL) model box content



Stock Code : 600521010210100
Stock Name: YP ASPENDOSE
EMIS BASMA TAKIMI A

D (Detergent) model box content



Stock Code : 600521010220100
Stock Name: YP ASPENDOSE
EMIS BASMA TAKIMI D

R (Rinse Aid) model box content



Stock Code : 600521010230100
Stock Name: YP ASPENDOSE
EMIS BASMA TAKIMI R

ACCESSORIES



Stock Code : 500010063200000
Stock Name: Chrome Nozzle Tee

Application Areas



Swimming Pools



Laundry



Industrial Dishwasher



Drinking Water



Waste Water



Industrial Processes



Car Wash



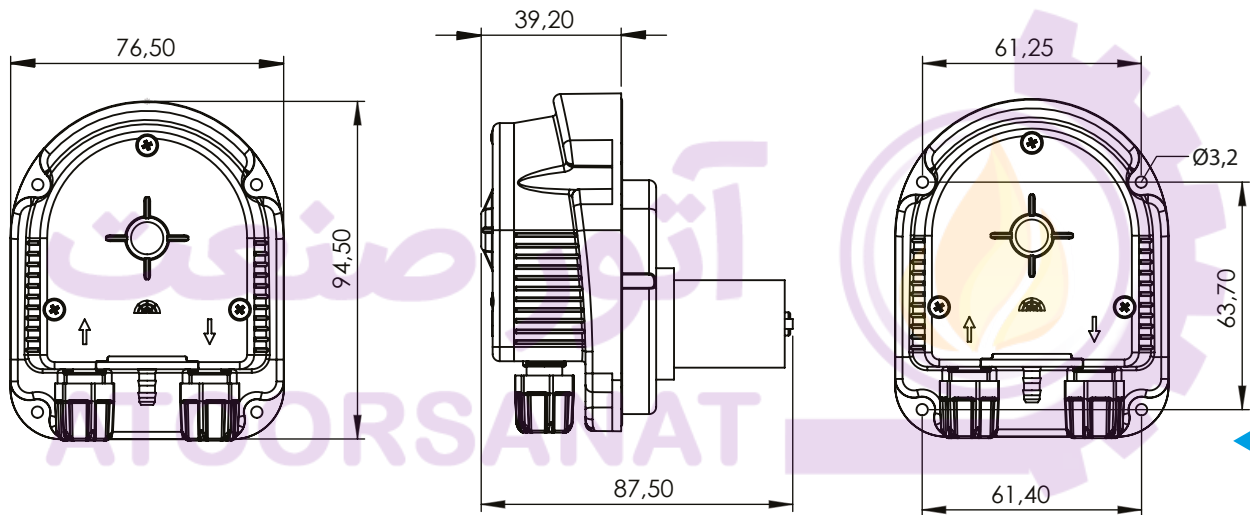
Agriculture

ASPENDOSE OEM Series Technical Specs

Model	Chemical Application	Min./Lt	Max./Lt	Max./P	Supply voltage	Watt	Weight	Max. Ambient Temperature	Max. Chemical Temperature
		Lt / h	Lt / h	Bar	Volt	W	kg	°C	°C
OEM 5,1L/0,5B 24	pH-CL / Detergent	0,7	5,1	0,5	DC 24V	3,5	0,220	0-45	0-45
OEM 2,8L/3B 24	Rinse Aid	0,5	2,8	3					

* pH : max. %40 H₂SO₄ (Sülfürik Asit)

*CL: max. %16 NaOCl (Sodyum Hipoclorit)



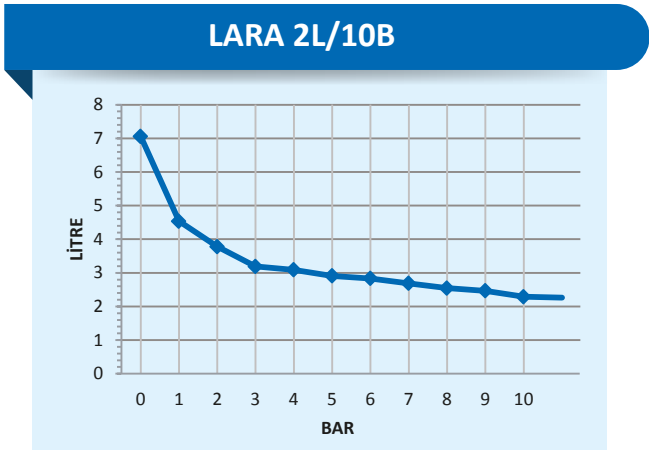
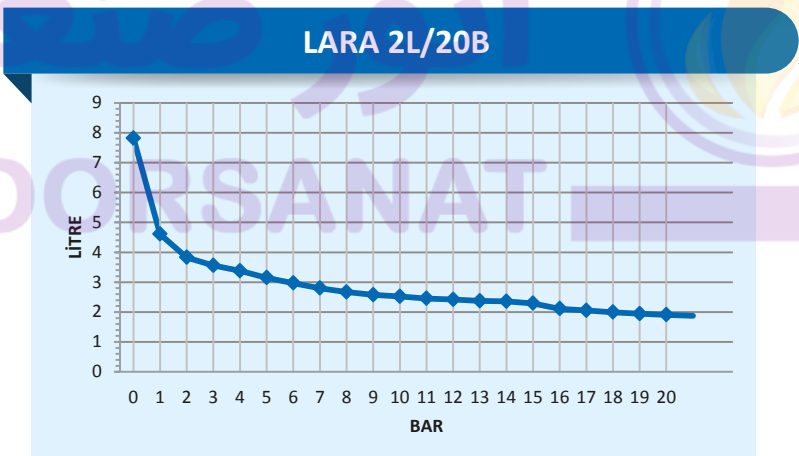
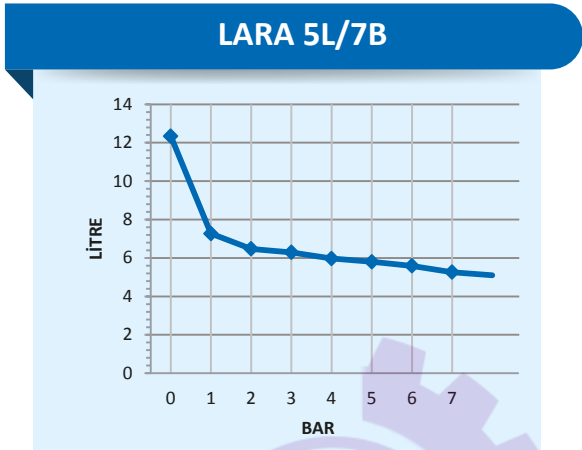
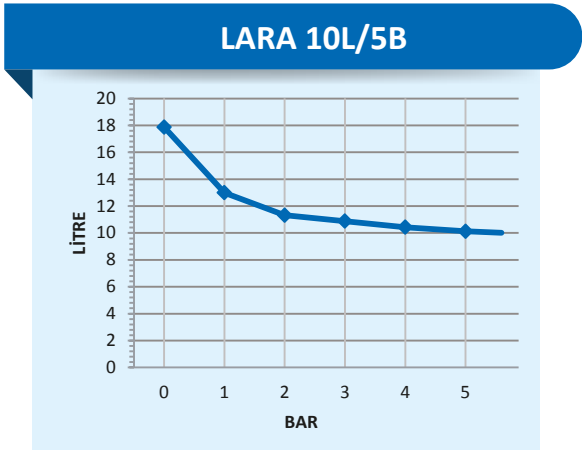
Page 17

ASPENDOSE OEM Series Dosing Pump Used Parts and Materials

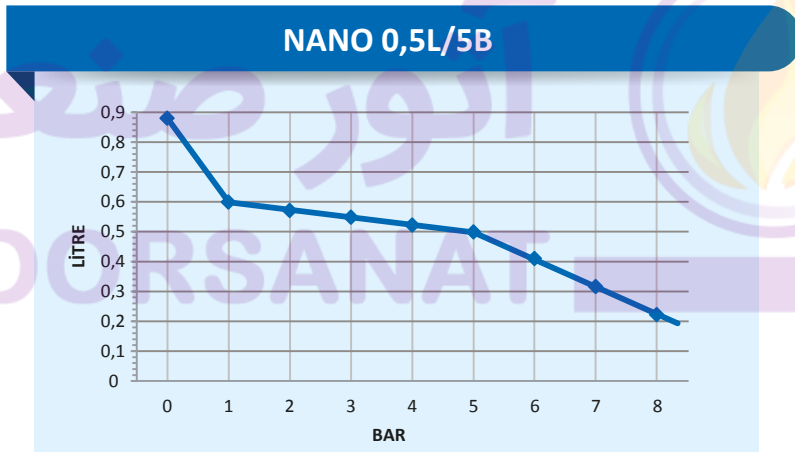
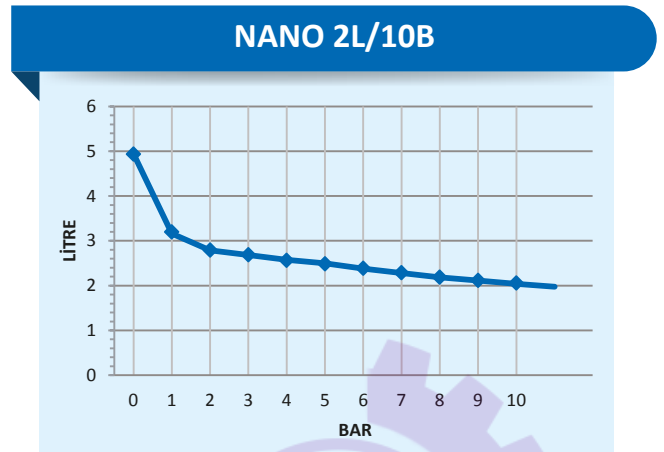
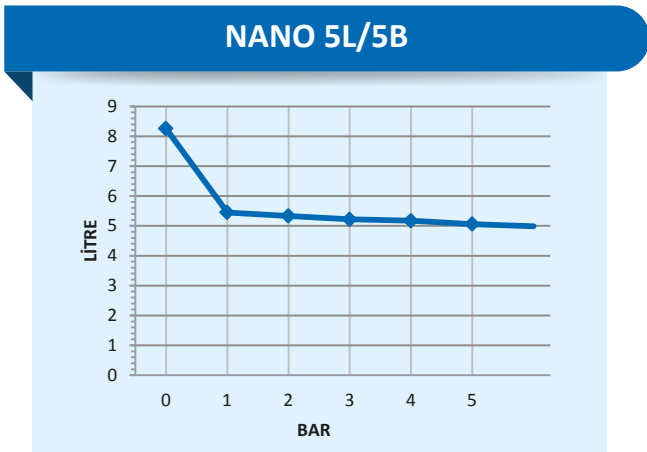
Pump Model	OEM 5,1L/0,5B 24 (pH-CL* Detergent)	OEM 2,8L/3B 24 (Rinse Aid)
Oem Head	PP	PP
Roller Amount	3 Roller	2 Roller
Hose Type	Norprene	Silicon
Glands	PP	PP

10 Flow Pressure Graphs

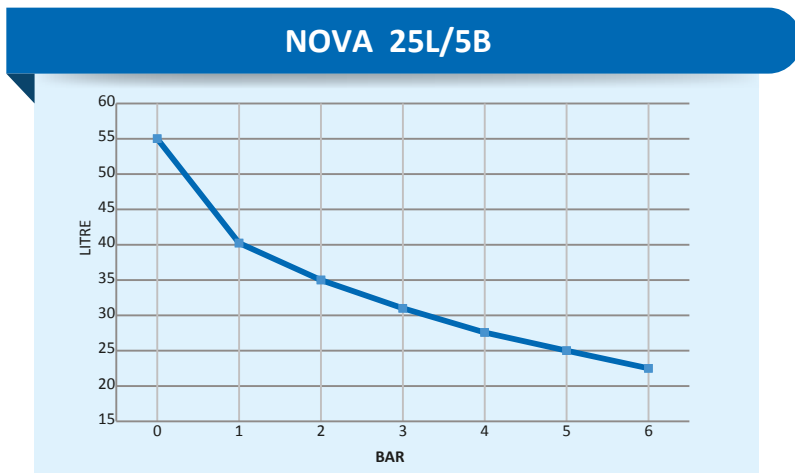
Lara Series



Nano Series



Nova Series



Antech®

"Water Control Technologies"

www.enelsa.com