



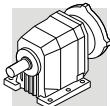
BONFIGLIOLI
RIDUTTORI

INDUSTRY PROCESS
AND AUTOMATION SOLUTIONS

C



BONFIGLIOLI



RIDUTTORE / GEAR UNIT
GETRIEBE / REDUCTEUR

C 31 2 F 52.4 S1 B5

OPZIONI / OPTIONS
OPTIONEN / OPTIONS

22

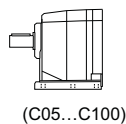
POSIZIONE DI MONTAGGIO / MOUNTING POSITION
EINBAULAGEN / POSITION DE MONTAGE

C...P: **B3** (Standard), B6, B7, B8, V5, V6

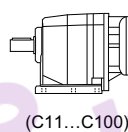
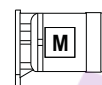
C...F/U/UF: **B5** (Standard), B51, B53, B52, V1, V3

25

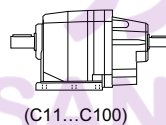
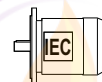
DESIGNAZIONE INGRESSO / INPUT CONFIGURATION
BEZEICHNUNG DER ANTRIEBSSEITE / DESIGNATION ENTREE



S0
S05
S1
S2
S3
S4
S5



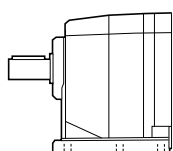
P63 P160
P71 P180
P80 P200
P90 P225
P100 P250
P112 P280
P132



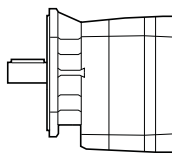
HS

RAPPORTO DI RIDUZIONE / GEAR RATIO
ÜBERSETZUNG / RAPPORT DE REDUCTION

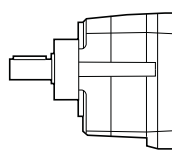
FORMA COSTRUTTIVA / VERSION / BAUFORM / FORME DE CONSTRUCTION



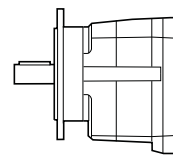
P
(C05...C100)



F
(C05...C31)
(C70...C100)



U
(C11...C61)



UFA
UFB
UFC
(C11...C61)

STADI DI RIDUZIONE / REDUCTIONS
GETRIEBESTUFEN / ETAGES DE REDUCTION

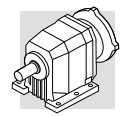
2, 3, 4

GRANDEZZA RIDUTTORE / GEAR FRAME SIZE / GETRIEBEBAUGRÖSSE / TAILLE REDUCTEUR

05, 11, 21, 31, 35, 41, 51, 61, 70, 80, 90, 100

TIPO RIDUTTORE: **C** = coassiale
GETRIEBETYP: **C** = Stirnradgetriebe

GEARBOX TYPE: **C** = helical in-line
TYPE DU REDUCTEUR: **C** = coaxial



Designazione motore *Motor designation* Motor bezeichnung *Designation moteur*

MOTORE / MOTOR
MOTOR / MOTEUR

FRENO / BRAKE
BREMSE / FREIN

M 1LA 4 230/400-50 IP54 CLF W FD 7.5 R SB 220 SA

OPZIONI
OPTIONS
OPTIONEN
OPTIONS

22

ALIMENTAZ. FRENO
BRAKE SUPPLY
BREMSVERSORGUNG
ALIMENTATION FREIN

162 167 171

TIPO RADDRIZZATORE AC/DC
RECTIFIER TYPE
GLEICHRICHTERTYP
TYPE ALIMENTATEUR
NB, SB, NBR, SBR

163

LEVA DI SBLOCCO FRENO
BRAKE HAND RELEASE
BRESENTHANDLÜFTUNG
LEVIER DE DEBLOCAGE FREIN
R, RM

174

COPPIA FRENANTE / BRAKE TORQUE
BREMSMOMENT/ COUPLE FREIN

164 168 172

TIPO FRENO / BRAKE TYPE
BRESENTYP / TYPE DE FREIN

164 168 172

FD (freno c.c./ d.c. brake / G.S. Bremse / frein c.c.)
FA, BA (freno c.a./ a.c. brake / W.S. Bremse / frein c.a.)

POSIZIONE MORSETTIERA / TERMINAL BOX POSITION
KLEMMENKASTENLAGE / POSITION BOITE A BORNE

25

W (default), **N, E, S**

FORMA COSTRUTTIVA / MOTOR MOUNTING
BAUFORM / FORM DE CONSTRUCTION

— (motore integrato / compact motor
kompaktes Motor / moteur compact)

B5 (motore IEC / IEC - motor / IEC Motor / moteur CEI)

CLASSE ISOLAMENTO / INSULATION CLASS
ISOLIERUNGSKLASSE / CLASSE ISOLATION

155

CL F standard
CL H option

GRADO DI PROTEZIONE / DEGREE OF PROTECTION
SCHUTZART / DEGRE DE PROTECTION

149

IP55 standard (IP54 - motore autofrenante / brake motor / Bremssmotor / moteur frein)

TENSIONE - FREQUENZA / VOLTAGE - FREQUENCY
SPANNUNG - FREQUENZ / TENSION - FREQUENCE

153

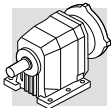
NUMERO DI POLI / POLE NUMBER / POLZAHL / N.bre POLES
2, 4, 6, 2/4, 2/6, 2/8, 2/12, 4/6, 4/8

GRANDEZZA MOTORE / MOTOR SIZE / MOTOR-BAUGRÖSSE / TAILLE MOTEUR

0B - 5LA (motore integrato / compact motor / kompaktes Motor / moteur compact)
63A - 280M (motore IEC / IEC motor / IEC - motor / moteur CEI)

TIPO MOTORE/ MOTOR TYPE / MOTORTYP / TYPE MOTEUR

M = trifase integrato / compact 3-phase / kompaktes Dreiphasen / 3 phasé compact
BN = trifase IEC / IEC 3-phase / IEC Dreiphasen / 3 phasé CEI



C 11



100 Nm

25 - DATI TECNICI
RIDUTTORI

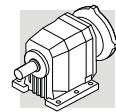
25 - GEARBOX RATING
CHARTS

25 - GETRIEBE
AUSWAHLTABELLEN

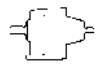

25 - DONNEES TECHNIQUES
REDUCTEURS

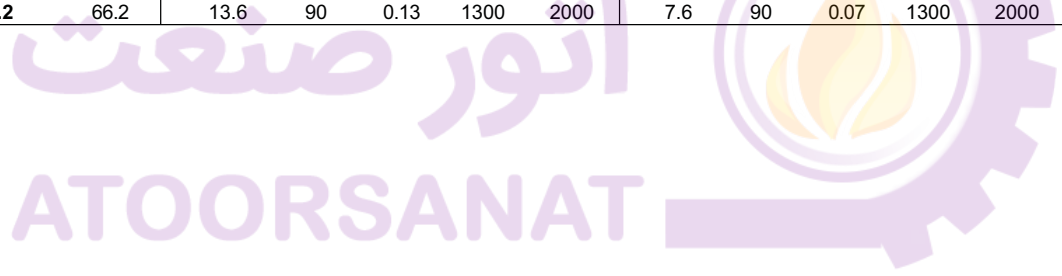
	i	$n_1 = 2800 \text{ min}^{-1}$					$n_1 = 1400 \text{ min}^{-1}$					
		n_2 min^{-1}	M_{n2} Nm	P_{n1} kW	R_{n1} N	R_{n2} N	n_2 min^{-1}	M_{n2} Nm	P_{n1} kW	R_{n1} N	R_{n2} N	
C 11 2_2.8	2.8	1011	30	3.3	750	600	505	37	2.1	990	790	113
C 11 2_3.7	3.7	767	34	2.9	720	610	384	42	1.8	960	800	
C 11 2_4.9	4.9	575	38	2.4	710	640	287	48	1.5	880	800	
C 11 2_6.2	6.2	449	42	2.1	650	660	225	53	1.3	810	830	
C 11 2_6.9	6.9	408	43	1.9	1120	1170	204	54	1.2	1300	1480	
C 11 2_7.6	7.6	367	45	1.8	1140	1220	184	56	1.1	1300	1540	
C 11 2_9.1	9.1	309	48	1.6	1120	1280	155	61	1.0	1300	1610	
C 11 2_10.1	10.1	278	49	1.5	1150	1340	139	63	0.97	1300	1680	
C 11 2_12.1	12.1	232	53	1.4	1120	1410	116	67	0.86	1300	1780	
C 11 2_13.4	13.4	209	55	1.3	1140	1460	104	70	0.81	1300	1840	
C 11 2_15.5	15.5	181	58	1.2	1100	1520	90	74	0.74	1300	1880	
C 11 2_17.2	17.2	163	60	1.1	1130	1590	82	76	0.68	1300	2000	
C 11 2_18.6	18.6	151	63	1.0	1090	1570	75	79	0.66	1300	1990	
C 11 2_20.6	20.6	136	65	0.97	1110	1670	68	82	0.61	1300	2000	
C 11 2_22.8	22.8	123	67	0.90	1080	1700	61	85	0.57	1300	2000	
C 11 2_25.4	25.4	110	69	0.84	1110	1800	55	88	0.54	1300	2000	
C 11 2_29.5	29.5	95	74	0.77	1060	1810	47	93	0.49	1300	2000	
C 11 2_32.8	32.8	85	75	0.71	1090	1970	43	90	0.42	1300	2000	
C 11 2_33.4	33.4	84	77	0.71	1030	1890	42	100	0.46	1286	2000	
C 11 2_37.0	37.0	76	79	0.66	1070	2000	38	90	0.38	1300	2000	
C 11 2_42.9	42.9	65	84	0.60	1010	2000	33	100	0.36	1300	2000	
C 11 2_47.6	47.6	59	85	0.55	1050	2000	29.4	90	0.29	1300	2000	
C 11 2_49.7	49.7	56	88	0.55	990	2000	28.2	100	0.31	1300	2000	
C 11 2_55.2	55.2	51	89	0.50	1030	2000	25.4	90	0.25	1300	2000	
C 11 2_59.6	59.6	47	78	0.40	1060	2000	23.5	82	0.21	1300	2000	
C 11 2_66.2	66.2	42	86	0.40	1060	2000	21.2	90	0.21	1300	2000	

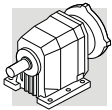
آتور صنعت
ATOORSANAT



100 Nm **C 11**


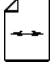
	i	n ₁ = 900 min ⁻¹					n ₁ = 500 min ⁻¹					
		n ₂ min ⁻¹	M _{n2} Nm	P _{n1} kW	R _{n1} N	R _{n2} N	n ₂ min ⁻¹	M _{n2} Nm	P _{n1} kW	R _{n1} N	R _{n2} N	
C 11 2_2.8	2.8	325	43	1.5	1140	910	187	53	1.1	1300	1080	113
C 11 2_3.7	3.7	247	49	1.3	1090	920	137	60	0.91	1300	1100	
C 11 2_4.9	4.9	185	55	1.1	1050	960	103	67	0.76	1280	1160	
C 11 2_6.2	6.2	144	61	0.97	960	980	80	70	0.62	1300	1390	
C 11 2_6.9	6.9	131	62	0.90	1300	1720	73	76	0.61	1300	2000	
C 11 2_7.6	7.6	118	65	0.85	1300	1780	66	79	0.57	1300	2000	
C 11 2_9.1	9.1	99	70	0.77	1300	1870	55	85	0.52	1300	2000	
C 11 2_10.1	10.1	89	72	0.71	1300	1950	50	88	0.48	1300	2000	
C 11 2_12.1	12.1	75	78	0.64	1300	2000	41	95	0.43	1300	2000	
C 11 2_13.4	13.4	67	81	0.60	1300	2000	37	90	0.37	1300	2000	
C 11 2_15.5	15.5	58	86	0.55	1300	2000	32	99	0.35	1300	2000	
C 11 2_17.2	17.2	52	88	0.51	1300	2000	29.1	90	0.29	1300	2000	
C 11 2_18.6	18.6	48	91	0.49	1300	2000	26.9	99	0.29	1300	2000	
C 11 2_20.6	20.6	44	89	0.43	1300	2000	24.2	89	0.24	1300	2000	
C 11 2_22.8	22.8	39	99	0.43	1300	2000	21.9	99	0.24	1300	2000	
C 11 2_25.4	25.4	35	89	0.35	1300	2000	19.7	89	0.19	1300	2000	
C 11 2_29.5	29.5	30	100	0.34	1300	2000	16.9	100	0.19	1300	2000	
C 11 2_32.8	32.8	27.5	90	0.27	1300	2000	15.3	90	0.15	1300	2000	
C 11 2_33.4	33.4	27.0	100	0.30	1300	2000	15.0	100	0.17	1300	2000	
C 11 2_37.0	37.0	24.3	90	0.24	1300	2000	13.5	90	0.13	1300	2000	
C 11 2_42.9	42.9	21.0	100	0.23	1300	2000	11.7	100	0.13	1300	2000	
C 11 2_47.6	47.6	18.9	90	0.19	1300	2000	10.5	90	0.10	1300	2000	
C 11 2_49.7	49.7	18.1	100	0.20	1300	2000	10.1	100	0.11	1300	2000	
C 11 2_55.2	55.2	16.3	90	0.16	1300	2000	9.1	90	0.09	1300	2000	
C 11 2_59.6	59.6	15.1	85	0.14	1300	2000	8.4	88	0.08	1300	2000	
C 11 2_66.2	66.2	13.6	90	0.13	1300	2000	7.6	90	0.07	1300	2000	



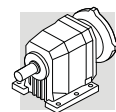


C 21

200 Nm



	i	$n_1 = 2800 \text{ min}^{-1}$					$n_1 = 1400 \text{ min}^{-1}$					
		n_2 min^{-1}	M_{n2} Nm	P_{n1} kW	R_{n1} N	R_{n2} N	n_2 min^{-1}	M_{n2} Nm	P_{n1} kW	R_{n1} N	R_{n2} N	
C 21 2_2.7	2.7	1029	65	7.4	—	1150	515	80	4.5	—	1460	116
C 21 2_3.7	3.7	755	70	5.8	—	1290	377	90	3.7	—	1610	
C 21 2_4.8	4.8	587	80	5.2	—	1370	294	100	3.2	—	1730	
C 21 2_6.1	6.1	460	85	4.3	—	1500	230	105	2.7	—	1900	
C 21 2_6.4	6.4	439	100	4.8	960	1510	219	125	3.0	1230	1910	
C 21 2_7.1	7.1	395	105	4.6	1090	1570	198	130	2.8	1420	1990	
C 21 2_8.7	8.7	323	110	3.9	1030	1680	161	140	2.5	1260	2110	
C 21 2_9.6	9.6	290	115	3.7	1160	1750	145	145	2.3	1460	2200	
C 21 2_11.2	11.2	251	125	3.5	930	1790	125	155	2.1	1220	2280	
C 21 2_12.4	12.4	226	125	3.1	1160	1900	113	160	2.0	1420	2380	
C 21 2_14.3	14.3	196	135	2.9	870	1950	98	170	1.8	1100	2460	
C 21 2_15.8	15.8	177	140	2.7	1030	2030	88	175	1.7	1320	2570	
C 21 2_18.0	18.0	155	145	2.5	840	2120	78	185	1.6	1010	2650	
C 21 2_20.0	20.0	140	150	2.3	1000	2210	70	190	1.5	1250	2770	
C 21 2_21.9	21.9	128	155	2.2	800	2250	64	200	1.4	940	2810	
C 21 2_24.3	24.3	115	160	2.0	980	2350	58	200	1.3	1250	2970	
C 21 2_26.7	26.7	105	170	2.0	660	2380	52	200	1.2	1040	3090	
C 21 2_29.6	29.6	95	175	1.8	850	2490	47	200	1.0	1350	3270	
C 21 2_33.1	33.1	85	180	1.7	550	2570	42	200	0.93	1100	3420	
C 21 2_36.8	36.8	76	185	1.6	750	2690	38	200	0.84	1400	3610	
C 21 2_39.0	39.0	72	165	1.3	860	2880	36	170	0.67	1630	3880	
C 21 2_43.3	43.3	65	185	1.3	830	2910	32	190	0.68	1610	3950	
C 21 2_49.3	49.3	57	135	0.85	1320	3410	28.4	140	0.44	1770	4490	
C 21 2_54.7	54.7	51	150	0.85	1320	3470	25.6	155	0.44	1770	4600	
C 21 2_57.0	57.0	49	110	0.60	1410	3780	24.6	115	0.31	1830	4920	
C 21 2_63.3	63.3	44	125	0.61	1400	3860	22.1	130	0.32	1820	5000	
C 21 3_58.8	58.8	48	180	0.96	880	3390	23.8	190	0.24	1240	4510	
C 21 3_65.3	65.3	43	200	0.97	880	3440	21.4	200	0.48	1270	4670	
C 21 3_74.4	74.4	38	200	0.85	960	3630	18.8	200	0.42	1300	4920	
C 21 3_82.6	82.6	34	200	0.76	1010	3820	16.9	200	0.38	1300	5000	
C 21 3_90.2	90.2	31	200	0.70	1050	3960	15.5	200	0.35	1300	5000	
C 21 3_100.2	100.2	28.0	200	0.63	1090	4160	14.0	200	0.31	1300	5000	
C 21 3_110.0	110.0	25.5	200	0.57	1130	4320	12.7	200	0.29	1300	5000	
C 21 3_122.2	122.2	22.9	200	0.52	1160	4540	11.5	200	0.26	1300	5000	
C 21 3_136.5	136.6	20.5	200	0.46	1190	4740	10.3	200	0.23	1300	5000	
C 21 3_151.7	151.7	18.5	200	0.42	1220	4980	9.2	200	0.21	1300	5000	
C 21 3_160.7	160.7	17.4	195	0.38	1240	5000	8.7	200	0.20	1300	5000	
C 21 3_178.5	178.5	15.7	200	0.35	1260	5000	7.8	200	0.18	1300	5000	
C 21 3_203.2	203.2	13.8	160	0.25	1300	5000	6.9	165	0.13	1300	5000	
C 21 3_225.8	225.8	12.4	180	0.25	1300	5000	6.2	185	0.13	1300	5000	
C 21 3_235.0	235.0	11.9	130	0.17	1300	5000	6.0	140	0.09	1300	5000	
C 21 3_261.0	261.0	10.7	145	0.18	1300	5000	5.4	155	0.09	1300	5000	

(-) Interpellare il ns. servizio tecnico comunicando i dati relativi al carico radiale (senso di rotazione, orientamento, posizione)
 (-) Contact our technical service department advising radial load data (rotation direction, orientation, position)
 (-) Nehmen Sie bitte Kontakt mit unserem Applikationsdienst und Querkraftsdaten angeben (Drehrichtung, Orientierung, Anordnung)
 (-) Consulter notre service technique en donnant les détails concernant la charge radiale (sens de rotation, indexage, position)

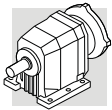


200 Nm

C 21



	i	$n_1 = 900 \text{ min}^{-1}$					$n_1 = 500 \text{ min}^{-1}$					
		n_2 min^{-1}	M_{n2} Nm	P_{n1} kW	R_{n1} N	R_{n2} N	n_2 min^{-1}	M_{n2} Nm	P_{n1} kW	R_{n1} N	R_{n2} N	
C 21 2_2.7	2.7	331	95	3.5	—	1670	184	100	2.0	400	2150	116
C 21 2_3.7	3.7	243	105	2.8	—	1850	135	105	1.6	800	2430	
C 21 2_4.8	4.8	189	105	2.2	170	2090	105	105	1.2	1200	2710	
C 21 2_6.1	6.1	148	110	1.8	200	2290	82	116	1.0	980	2930	
C 21 2_6.4	6.4	141	145	2.3	1420	2220	78	175	1.5	1760	2700	
C 21 2_7.1	7.1	127	150	2.1	1650	2310	71	180	1.4	2060	2820	
C 21 2_8.7	8.7	104	165	1.9	1410	2430	58	200	1.3	1730	2960	
C 21 2_9.6	9.6	93	170	1.7	1650	2530	52	200	1.1	2130	3130	
C 21 2_11.2	11.2	81	180	1.6	1400	2640	45	200	0.99	2060	3330	
C 21 2_12.4	12.4	73	185	1.5	1650	2760	40	200	0.89	2200	3520	
C 21 2_14.3	14.3	63	195	1.4	1310	2860	35	200	0.77	2200	3730	
C 21 2_15.8	15.8	57	200	1.3	1580	2990	32	200	0.70	2200	3920	
C 21 2_18.0	18.0	50	200	1.1	1420	3170	27.7	200	0.61	2200	4140	
C 21 2_20.0	20.0	45	200	0.99	1750	3340	25.0	200	0.55	2200	4350	
C 21 2_21.9	21.9	41	200	0.91	1590	3460	22.9	200	0.50	2200	4500	
C 21 2_24.3	24.3	37	200	0.82	1900	3650	20.6	200	0.45	2200	4720	
C 21 2_26.7	26.7	34	200	0.74	1700	3790	18.7	200	0.41	2200	4900	
C 21 2_29.6	29.6	30	200	0.67	1980	3990	16.9	200	0.37	2200	5000	
C 21 2_33.1	33.1	27.2	200	0.60	1750	4170	15.1	200	0.33	2200	5000	
C 21 2_36.8	36.8	24.5	200	0.54	1990	4390	13.6	200	0.30	2200	5000	
C 21 2_39.0	39.0	23.1	170	0.43	2020	4680	12.8	170	0.24	2200	5000	
C 21 2_43.3	43.3	20.8	190	0.44	2020	4770	11.6	190	0.24	2200	5000	
C 21 2_49.3	49.3	18.3	145	0.29	2080	5000	10.1	155	0.17	2200	5000	
C 21 2_54.7	54.7	16.4	160	0.29	2090	5000	9.1	170	0.17	2200	5000	
C 21 2_57.0	57.0	15.8	120	0.21	2140	5000	8.8	125	0.12	2200	5000	
C 21 2_63.3	63.3	14.2	135	0.21	2140	5000	7.9	140	0.12	2200	5000	
C 21 3_58.8	58.8	15.3	200	0.34	1300	5000	8.5	200	0.19	1300	5000	
C 21 3_65.3	65.3	13.8	200	0.31	1300	5000	7.7	200	0.17	1300	5000	
C 21 3_74.4	74.4	12.1	200	0.27	1300	5000	6.7	200	0.15	1300	5000	
C 21 3_82.6	82.6	10.9	200	0.25	1300	5000	6.1	200	0.14	1300	5000	
C 21 3_90.2	90.2	10.0	200	0.22	1300	5000	5.5	200	0.12	1300	5000	
C 21 3_100.2	100.2	9.0	200	0.20	1300	5000	5.0	200	0.11	1300	5000	
C 21 3_110.0	110.0	8.2	200	0.18	1300	5000	4.5	200	0.10	1300	5000	
C 21 3_122.2	122.2	7.4	200	0.17	1300	5000	4.1	200	0.09	1300	5000	
C 21 3_136.5	136.6	6.6	200	0.15	1300	5000	3.7	200	0.08	1300	5000	
C 21 3_151.7	151.7	5.9	200	0.13	1300	5000	3.3	200	0.07	1300	5000	
C 21 3_160.7	160.7	5.6	200	0.13	1300	5000	3.1	200	0.07	1300	5000	
C 21 3_178.5	178.5	5.0	200	0.11	1300	5000	2.8	200	0.06	1300	5000	
C 21 3_203.2	203.2	4.4	170	0.08	1300	5000	2.5	180	0.05	1300	5000	
C 21 3_225.8	225.8	4.0	195	0.09	1300	5000	2.2	200	0.05	1300	5000	
C 21 3_235.0	235.0	3.8	140	0.06	1300	5000	2.1	150	0.04	1300	5000	
C 21 3_261.0	261.0	3.4	160	0.06	1300	5000	1.9	165	0.04	1300	5000	

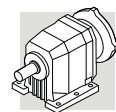
(-) Interpellare il ns. servizio tecnico comunicando i dati relativi al carico radiale (senso di rotazione, orientamento, posizione)
 (-) Contact our technical service department advising radial load data (rotation direction, orientation, position)
 (-) Nehmen Sie bitte Kontakt mit unserem Applikationsdienst und Querkraftsdaten angeben (Drehrichtung, Orientierung, Anordnung)
 (-) Consulter notre service technique en donnant les détails concernant la charge radiale (sens de rotation, indexage, position)



C 31



300 Nm

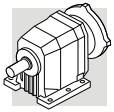
	i	$n_1 = 2800 \text{ min}^{-1}$					$n_1 = 1400 \text{ min}^{-1}$					
		n_2 min^{-1}	M_{n2} Nm	P_{n1} kW	R_{n1} N	R_{n2} N	n_2 min^{-1}	M_{n2} Nm	P_{n1} kW	R_{n1} N	R_{n2} N	
C 31 2_2.9	2.9	972	105	11.3	670	1710	486	130	7.0	940	2170	119
C 31 2_3.7	3.7	749	120	9.9	560	1830	374	150	6.2	750	2310	
C 31 2_5.0	5.0	566	135	8.4	470	1990	283	155	4.8	1100	2600	
C 31 2_6.3	6.3	447	150	7.4	300	2130	224	155	3.8	1450	2890	
C 31 2_6.5	6.5	434	155	7.4	1860	2270	217	195	4.7	2200	2870	
C 31 2_7.2	7.2	391	160	6.9	1890	2370	196	200	4.3	2200	2990	
C 31 2_8.4	8.4	335	170	6.3	1870	2480	167	215	4.0	2200	3110	
C 31 2_9.3	9.3	301	175	5.8	1910	2580	151	220	3.7	2200	3260	
C 31 2_11.1	11.1	252	190	5.3	1880	2700	126	240	3.3	2200	3400	
C 31 2_12.3	12.3	227	195	4.9	1910	2820	114	245	3.1	2200	3560	
C 31 2_14.0	14.0	199	205	4.5	1880	2930	100	260	2.9	2200	3680	
C 31 2_15.6	15.6	180	215	4.3	1900	3030	90	270	2.7	2200	3820	
C 31 2_18.1	18.1	155	225	3.8	1870	3170	77	285	2.4	2200	3990	
C 31 2_20.1	20.1	139	235	3.6	1900	3290	70	295	2.3	2200	4160	
C 31 2_22.6	22.6	124	245	3.3	1850	3410	62	300	2.0	2200	4330	
C 31 2_25.1	25.1	111	250	3.1	1890	3560	56	300	1.8	2200	4570	
C 31 2_26.8	26.8	105	260	3.0	1840	3600	52	300	1.7	2200	4680	
C 31 2_29.8	29.8	94	265	2.7	1880	3770	47	300	1.6	2200	4920	
C 31 2_32.5	32.5	86	275	2.6	1760	3850	43	300	1.4	2200	5090	
C 31 2_36.1	36.1	78	280	2.4	1870	4030	39	300	1.3	2200	5350	
C 31 2_40.7	40.7	69	295	2.2	1620	4160	34	300	1.1	2200	5500	
C 31 2_45.3	45.3	62	300	2.0	1860	4360	31	300	1.0	2200	5500	
C 31 2_47.2	47.2	59	300	2.0	1610	4420	29.7	300	0.98	2200	5500	
C 31 2_52.4	52.4	53	300	1.8	1860	4650	26.7	300	0.88	2200	5500	
C 31 2_60.2	60.2	47	180	0.92	2030	5500	23.3	190	0.49	2200	5500	
C 31 2_66.8	66.8	42	205	0.95	2020	5500	21.0	215	0.50	2200	5500	
C 31 3_74.3	74.3	38	275	1.2	790	5500	18.8	300	0.64	1170	5500	
C 31 3_82.6	82.6	34	300	1.1	820	5500	17.0	300	0.57	1240	5500	
C 31 3_93.0	93.0	30	290	0.98	940	5500	15.1	300	0.51	1300	5500	
C 31 3_103.3	103.3	27.1	300	0.92	980	5500	13.6	300	0.46	1300	5500	
C 31 3_110.2	110.2	25.4	300	0.86	1010	5500	12.7	300	0.43	1300	5500	
C 31 3_122.4	122.4	22.9	300	0.77	1060	5500	11.4	300	0.39	1300	5500	
C 31 3_133.6	133.6	21.0	300	0.71	1090	5500	10.5	300	0.35	1300	5500	
C 31 3_148.4	148.4	18.9	300	0.64	1130	5500	9.4	300	0.32	1300	5500	
C 31 3_167.5	167.5	16.7	300	0.56	1170	5500	8.4	300	0.28	1300	5500	
C 31 3_186.0	186.0	15.1	300	0.51	1200	5500	7.5	300	0.25	1300	5500	
C 31 3_194.1	194.1	14.4	280	0.45	1230	5500	7.2	295	0.24	1300	5500	
C 31 3_215.6	215.6	13.0	300	0.44	1240	5500	6.5	300	0.22	1300	5500	
C 31 3_247.3	247.3	11.3	215	0.27	1300	5500	5.7	225	0.14	1300	5500	
C 31 3_274.7	274.7	10.2	240	0.28	1300	5500	5.1	255	0.15	1300	5500	


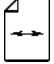


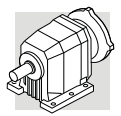
300 Nm

C 31

	i	$n_1 = 900 \text{ min}^{-1}$					$n_1 = 500 \text{ min}^{-1}$					
		n_2 min^{-1}	M_{n2} Nm	P_{n1} kW	R_{n1} N	R_{n2} N	n_2 min^{-1}	M_{n2} Nm	P_{n1} kW	R_{n1} N	R_{n2} N	
C 31 2_2.9	2.9	313	150	5.2	1120	2510	174	155	3.0	2200	3220	119
C 31 2_3.7	3.7	241	155	4.1	1570	2790	134	175	2.6	2200	3480	
C 31 2_5.0	5.0	182	162	3.2	1870	3120	101	198	2.2	2200	3790	
C 31 2_6.3	6.3	144	178	2.8	1730	3350	80	200	1.8	2200	4180	
C 31 2_6.5	6.5	140	225	3.5	2200	3330	78	275	2.3	2200	4040	
C 31 2_7.2	7.2	126	235	3.3	2200	3450	70	285	2.2	2200	4200	
C 31 2_8.4	8.4	108	250	3.0	2200	3600	60	300	2.0	2200	4410	
C 31 2_9.3	9.3	97	260	2.8	2200	3750	54	300	1.8	2200	4640	
C 31 2_11.1	11.1	81	280	2.5	2200	3930	45	300	1.5	2200	4990	
C 31 2_12.3	12.3	73	285	2.3	2200	4120	41	300	1.3	2200	5250	
C 31 2_14.0	14.0	64	300	2.1	2200	4270	36	300	1.2	2200	5500	
C 31 2_15.6	15.6	58	300	1.9	2200	4500	32	300	1.1	2200	5500	
C 31 2_18.1	18.1	50	300	1.6	2200	4780	27.7	300	0.91	2200	5500	
C 31 2_20.1	20.1	45	300	1.5	2200	5030	24.9	300	0.82	2200	5500	
C 31 2_22.6	22.6	40	300	1.3	2200	5270	22.1	300	0.73	2200	5500	
C 31 2_25.1	25.1	36	300	1.2	2200	5500	19.9	300	0.66	2200	5500	
C 31 2_26.8	26.8	34	300	1.1	2200	5500	18.7	300	0.62	2200	5500	
C 31 2_29.8	29.8	30	300	1.0	2200	5500	16.8	300	0.56	2200	5500	
C 31 2_32.5	32.5	27.7	300	0.92	2200	5500	15.4	300	0.51	2200	5500	
C 31 2_36.1	36.1	24.9	300	0.82	2200	5500	13.9	300	0.46	2200	5500	
C 31 2_40.7	40.7	22.1	300	0.73	2200	5500	12.3	300	0.41	2200	5500	
C 31 2_45.3	45.3	19.9	300	0.66	2200	5500	11.0	300	0.37	2200	5500	
C 31 2_47.2	47.2	19.1	300	0.63	2200	5500	10.6	300	0.35	2200	5500	
C 31 2_52.4	52.4	17.2	300	0.57	2200	5500	9.5	300	0.32	2200	5500	
C 31 2_60.2	60.2	15.0	200	0.33	2200	5500	8.3	205	0.19	2200	5500	
C 31 2_66.8	66.8	13.5	220	0.33	2200	5500	7.5	230	0.19	2200	5500	
C 31 3_74.3	74.3	12.1	300	0.41	1300	5500	6.7	300	0.23	1300	5500	
C 31 3_82.6	82.6	10.9	300	0.37	1300	5500	6.1	300	0.20	1300	5500	
C 31 3_93.0	93.0	9.7	300	0.33	1300	5500	5.4	300	0.18	1300	5500	
C 31 3_103.3	103.3	8.7	300	0.29	1300	5500	4.8	300	0.16	1300	5500	
C 31 3_110.2	110.2	8.2	300	0.28	1300	5500	4.5	300	0.15	1300	5500	
C 31 3_122.4	122.4	7.4	300	0.25	1300	5500	4.1	300	0.14	1300	5500	
C 31 3_133.6	133.6	6.7	300	0.23	1300	5500	3.7	300	0.13	1300	5500	
C 31 3_148.4	148.4	6.1	300	0.20	1300	5500	3.4	300	0.11	1300	5500	
C 31 3_167.5	167.5	5.4	300	0.18	1300	5500	3.0	300	0.10	1300	5500	
C 31 3_186.0	186.0	4.8	300	0.16	1300	5500	2.7	300	0.09	1300	5500	
C 31 3_194.1	194.1	4.6	300	0.16	1300	5500	2.6	300	0.09	1300	5500	
C 31 3_215.6	215.6	4.2	300	0.14	1300	5500	2.3	300	0.08	1300	5500	
C 31 3_247.3	247.3	3.6	235	0.10	1300	5500	2.0	245	0.06	1300	5500	
C 31 3_274.7	274.7	3.3	260	0.10	1300	5500	1.8	275	0.06	1300	5500	


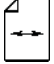
**C 35****450 Nm**

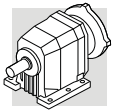
	i	$n_1 = 2800 \text{ min}^{-1}$					$n_1 = 1400 \text{ min}^{-1}$					
		n_2 min^{-1}	M_{n2} Nm	P_{n1} kW	R_{n1} N	R_{n2} N	n_2 min^{-1}	M_{n2} Nm	P_{n1} kW	R_{n1} N	R_{n2} N	
C 35 2_2.7	2.7	1037	140	16.0	670	1750	519	170	9.7	1150	2240	122
C 35 2_3.5	3.5	800	150	13.2	910	1920	400	185	8.2	1320	2440	
C 35 2_4.6	4.6	609	165	11.1	920	2110	304	200	6.7	1470	2700	
C 35 2_5.8	5.8	483	170	9.0	1160	2330	241	200	5.3	1990	3020	
C 35 2_6.1	6.1	459	275	13.9	1580	2040	230	345	8.7	2020	2570	
C 35 2_6.8	6.8	412	285	12.9	1750	2130	206	355	8.1	2220	2710	
C 35 2_7.9	7.9	354	305	11.9	1590	2200	177	380	7.4	2090	2790	
C 35 2_8.8	8.8	318	310	10.9	1780	2330	159	380	6.7	2270	3000	
C 35 2_10.5	10.5	267	335	9.8	1610	2410	133	380	5.6	2270	3250	
C 35 2_11.7	11.7	239	340	9.0	1790	2560	120	380	5.0	2370	3460	
C 35 2_13.3	13.3	211	355	8.2	1660	2650	105	380	4.4	2340	3660	
C 35 2_14.8	14.8	189	360	7.5	1800	2810	95	380	4.0	2440	3890	
C 35 2_17.1	17.1	164	380	6.9	1640	2910	82	380	3.4	2410	4150	
C 35 2_19.0	19.0	147	380	6.2	1820	3110	74	380	3.1	2500	4400	
C 35 3_20.2	20.2	139	315	4.9	2300	3500	69	395	3.1	2900	4420	
C 35 3_22.1	22.1	127	340	4.9	2300	3570	63	430	3.1	2900	4490	
C 35 3_26.2	26.2	107	355	4.3	2300	3760	53	450	2.7	2890	4730	
C 35 3_28.7	28.7	98	385	4.2	2300	3820	49	450	2.5	2930	4980	
C 35 3_34.7	34.7	81	395	3.6	2300	4110	40	450	2.0	2930	5410	
C 35 3_38.1	38.1	73	435	3.6	2300	4140	37	450	1.9	2970	5690	
C 35 3_43.9	43.9	64	430	3.1	2300	4430	32	450	1.6	2960	6030	
C 35 3_48.2	48.2	58	450	2.9	2310	4580	29.0	450	1.5	2990	6330	
C 35 3_56.5	56.5	50	450	2.5	2300	4910	24.8	450	1.3	2990	6500	
C 35 3_62.0	62.0	45	450	2.3	2330	5170	22.6	450	1.1	3000	6500	
C 35 3_70.7	70.7	40	450	2.0	2320	5460	19.8	450	1.0	3000	6500	
C 35 3_77.6	77.6	36	450	1.8	2350	5740	18.0	450	0.91	3000	6500	
C 35 3_83.8	83.8	33	450	1.7	2330	5910	16.7	450	0.85	3000	6500	
C 35 3_91.9	91.9	30	450	1.5	2360	6200	15.2	450	0.77	3000	6500	
C 35 3_101.6	101.6	27.6	450	1.4	2340	6450	13.8	450	0.70	3000	6500	
C 35 3_111.5	111.5	25.1	450	1.3	2360	6500	12.6	450	0.64	3000	6500	
C 35 3_127.3	127.3	22.0	450	1.1	2350	6500	11.0	450	0.56	3000	6500	
C 35 3_139.8	139.8	20.0	450	1.0	2370	6500	10.0	450	0.51	3000	6500	
C 35 3_147.6	147.6	19.0	450	0.96	2350	6500	9.5	450	0.48	3000	6500	
C 35 3_162.0	162.0	17.3	450	0.88	2380	6500	8.6	450	0.44	3000	6500	
C 35 3_188.0	188.0	14.9	450	0.75	2360	6500	7.4	450	0.38	3000	6500	
C 35 3_206.4	206.4	13.6	450	0.69	2380	6500	6.8	450	0.34	3000	6500	
C 35 4_232.3	232.3	12.1	450	0.62	1170	6500	6.0	450	0.31	1300	6500	
C 35 4_255.0	255.0	11.0	450	0.57	1190	6500	5.5	450	0.28	1300	6500	
C 35 4_290.6	290.6	9.6	450	0.50	1220	6500	4.8	450	0.25	1300	6500	
C 35 4_318.9	318.9	8.8	450	0.45	1230	6500	4.4	450	0.23	1300	6500	
C 35 4_344.3	344.3	8.1	450	0.42	1240	6500	4.1	450	0.21	1300	6500	
C 35 4_377.9	377.9	7.4	450	0.38	1260	6500	3.7	450	0.19	1300	6500	
C 35 4_417.6	417.6	6.7	450	0.35	1270	6500	3.4	450	0.17	1300	6500	
C 35 4_458.4	458.4	6.1	450	0.32	1280	6500	3.1	450	0.16	1300	6500	
C 35 4_523.5	523.5	5.3	450	0.28	1290	6500	2.7	450	0.14	1300	6500	
C 35 4_574.7	574.7	4.9	450	0.25	1300	6500	2.4	450	0.13	1300	6500	
C 35 4_606.6	606.6	4.6	450	0.24	1300	6500	2.3	450	0.12	1300	6500	
C 35 4_665.9	665.9	4.2	450	0.22	1300	6500	2.1	450	0.11	1300	6500	
C 35 4_773.0	773.0	3.6	450	0.19	1300	6500	1.8	450	0.09	1300	6500	
C 35 4_848.5	848.5	3.3	450	0.17	1300	6500	1.6	450	0.09	1300	6500	



450 Nm


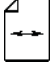
C 35

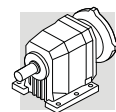
	i	$n_1 = 900 \text{ min}^{-1}$					$n_1 = 500 \text{ min}^{-1}$					
		n_2 min^{-1}	M_{n2} Nm	P_{n1} kW	R_{n1} N	R_{n2} N	n_2 min^{-1}	M_{n2} Nm	P_{n1} kW	R_{n1} N	R_{n2} N	
C 35 2_2.7	2.7	333	190	7.0	1670	2640	185	200	4.1	3000	3390	122
C 35 2_3.5	3.5	257	200	5.7	2160	2920	143	200	3.1	3000	3810	
C 35 2_4.6	4.6	196	200	4.3	2590	3320	109	200	2.4	3000	4300	
C 35 2_5.8	5.8	155	200	3.4	2680	3690	86	200	1.9	3000	4740	
C 35 2_6.1	6.1	148	380	6.2	2530	3080	82	380	3.4	3000	4150	
C 35 2_6.8	6.8	132	380	5.5	2660	3290	74	380	3.1	3000	4400	
C 35 2_7.9	7.9	114	380	4.8	2680	3530	63	380	2.7	3000	4690	
C 35 2_8.8	8.8	102	380	4.3	2790	3750	57	380	2.4	3000	4960	
C 35 2_10.5	10.5	86	380	3.6	2790	4060	48	380	2.0	3000	5340	
C 35 2_11.7	11.7	77	380	3.2	2900	4300	43	380	1.8	3000	5630	
C 35 2_13.3	13.3	68	380	2.8	2870	4540	38	380	1.6	3000	5930	
C 35 2_14.8	14.8	61	380	2.5	2970	4800	34	380	1.4	3000	6240	
C 35 2_17.1	17.1	53	380	2.2	2940	5110	29.2	380	1.2	3000	6500	
C 35 2_19.0	19.0	47	380	2.0	3000	5390	26.3	380	1.1	3000	6500	
C 35 3_20.2	20.2	45	450	2.3	3000	5160	24.8	450	1.3	3000	6500	
C 35 3_22.1	22.1	41	450	2.1	3000	5430	22.6	450	1.1	3000	6500	
C 35 3_26.2	26.2	34	450	1.7	3000	5830	19.1	450	0.97	3000	6500	
C 35 3_28.7	28.7	31	450	1.6	3000	6120	17.4	450	0.88	3000	6500	
C 35 3_34.7	34.7	25.9	450	1.3	3000	6500	14.4	450	0.73	3000	6500	
C 35 3_38.1	38.1	23.6	450	1.2	3000	6500	13.1	450	0.66	3000	6500	
C 35 3_43.9	43.9	20.5	450	1.0	3000	6500	11.4	450	0.58	3000	6500	
C 35 3_48.2	48.2	18.7	450	0.95	3000	6500	10.4	450	0.53	3000	6500	
C 35 3_56.5	56.5	15.9	450	0.81	3000	6500	8.8	450	0.45	3000	6500	
C 35 3_62.0	62.0	14.5	450	0.74	3000	6500	8.1	450	0.41	3000	6500	
C 35 3_70.7	70.7	12.7	450	0.64	3000	6500	7.1	450	0.36	3000	6500	
C 35 3_77.6	77.6	11.6	450	0.59	3000	6500	6.4	450	0.33	3000	6500	
C 35 3_83.8	83.8	10.7	450	0.54	3000	6500	6.0	450	0.30	3000	6500	
C 35 3_91.9	91.9	9.8	450	0.50	3000	6500	5.4	450	0.28	3000	6500	
C 35 3_101.6	101.6	8.9	450	0.45	3000	6500	4.9	450	0.25	3000	6500	
C 35 3_111.5	111.5	8.1	450	0.41	3000	6500	4.5	450	0.23	3000	6500	
C 35 3_127.3	127.3	7.1	450	0.36	3000	6500	3.9	450	0.20	3000	6500	
C 35 3_139.8	139.8	6.4	450	0.33	3000	6500	3.6	450	0.18	3000	6500	
C 35 3_147.6	147.6	6.1	450	0.31	3000	6500	3.4	450	0.17	3000	6500	
C 35 3_162.0	162.0	5.6	450	0.28	3000	6500	3.1	450	0.16	3000	6500	
C 35 3_188.0	188.0	4.8	450	0.24	3000	6500	2.7	450	0.13	3000	6500	
C 35 3_206.4	206.4	4.4	450	0.22	3000	6500	2.4	450	0.12	3000	6500	
C 35 4_232.3	232.3	3.9	450	0.20	1300	6500	2.2	450	0.11	1300	6500	
C 35 4_255.0	255.0	3.5	450	0.18	1300	6500	2.0	450	0.10	1300	6500	
C 35 4_290.6	290.6	3.1	450	0.16	1300	6500	1.7	450	0.09	1300	6500	
C 35 4_318.9	318.9	2.8	450	0.15	1300	6500	1.6	450	0.08	1300	6500	
C 35 4_344.3	344.3	2.6	450	0.14	1300	6500	1.5	450	0.08	1300	6500	
C 35 4_377.9	377.9	2.4	450	0.12	1300	6500	1.3	450	0.07	1300	6500	
C 35 4_417.6	417.6	2.2	450	0.11	1300	6500	1.2	450	0.06	1300	6500	
C 35 4_458.4	458.4	2.0	450	0.10	1300	6500	1.1	450	0.06	1300	6500	
C 35 4_523.5	523.5	1.7	450	0.09	1300	6500	1.0	450	0.05	1300	6500	
C 35 4_574.7	574.7	1.6	450	0.08	1300	6500	0.87	450	0.05	1300	6500	
C 35 4_606.6	606.6	1.5	450	0.08	1300	6500	0.82	450	0.04	1300	6500	
C 35 4_665.9	665.9	1.4	450	0.07	1300	6500	0.75	450	0.04	1300	6500	
C 35 4_773.0	773.0	1.2	450	0.06	1300	6500	0.65	450	0.03	1300	6500	
C 35 4_848.5	848.5	1.1	450	0.05	1300	6500	0.59	450	0.03	1300	6500	



C 41



600 Nm

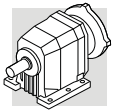
	i	$n_1 = 2800 \text{ min}^{-1}$					$n_1 = 1400 \text{ min}^{-1}$					
		n_2 min^{-1}	M_{n2} Nm	P_{n1} kW	R_{n1} N	R_{n2} N	n_2 min^{-1}	M_{n2} Nm	P_{n1} kW	R_{n1} N	R_{n2} N	
C 41 2_2.7	2.7	1037	245	28	980	1290	519	245	14.0	1390	2060	
C 41 2_3.6	3.6	778	255	22	1070	1540	389	255	10.9	1650	2390	
C 41 2_4.7	4.7	596	260	17.1	1170	1800	298	260	8.5	2010	2730	
C 41 2_6.0	6.0	467	260	13.4	1290	2100	233	260	6.7	2400	3110	
C 41 2_6.4	6.4	438	275	13.3	2270	2590	219	345	8.3	2860	3260	
C 41 2_7.1	7.1	394	285	12.4	2360	2700	197	355	7.7	2980	3420	
C 41 2_8.6	8.6	326	305	10.9	2300	2860	163	385	6.9	2900	3600	
C 41 2_9.6	9.6	292	310	10.0	2410	3010	146	390	6.3	3030	3800	
C 41 2_11.2	11.2	250	335	9.2	2310	3100	125	420	5.8	2910	3920	
C 41 2_12.4	12.4	226	340	8.5	2440	3270	113	425	5.3	3070	4140	
C 41 2_14.2	14.2	197	355	7.7	2330	3410	99	445	4.8	2980	4300	
C 41 2_15.8	15.8	177	360	7.0	2460	3590	89	450	4.4	3120	4540	
C 41 2_17.8	17.8	157	380	6.6	2330	3680	79	480	4.2	3050	4630	
C 41 2_19.8	19.8	141	385	6.0	2460	3880	71	485	3.8	3180	4890	
C 41 2_22.6	22.6	124	410	5.6	2320	3990	62	500	3.4	3110	5110	
C 41 2_25.0	25.0	112	415	5.1	2460	4210	56	500	3.1	3230	5420	
C 41 2_28.3	28.3	99	445	4.9	2310	4290	49	500	2.7	3180	5710	
C 41 2_31.4	31.4	89	445	4.4	2440	4550	45	500	2.5	3300	6040	
C 41 2_33.4	33.4	84	465	4.3	2390	4560	42	500	2.3	3220	6170	
C 41 2_37.1	37.1	75	470	3.9	2440	4810	38	500	2.1	3320	6520	
C 41 2_44.8	44.8	63	500	3.4	2660	5130	31	500	1.7	3500	7000	
C 41 3_28.5	28.5	98	445	4.9	3060	4300	49	560	3.1	3500	5420	
C 41 3_31.2	31.2	90	450	4.5	3090	4510	45	570	2.9	3500	5670	
C 41 3_36.8	36.8	76	480	4.1	3070	4710	38	600	2.6	3500	5960	
C 41 3_40.3	40.3	69	485	3.8	3100	4940	35	600	2.3	3500	6280	
C 41 3_47.0	47.0	60	515	3.5	3070	5140	29.8	600	2.0	3500	6720	
C 41 3_51.5	51.5	54	525	3.2	3090	5360	27.2	600	1.8	3500	7000	
C 41 3_58.7	58.7	48	550	3.0	3070	5550	23.9	600	1.6	3500	7000	
C 41 3_64.3	64.3	44	560	2.7	3090	5800	21.8	600	1.5	3500	7000	
C 41 3_74.4	74.4	38	590	2.5	3060	6040	18.8	600	1.3	3500	7000	
C 41 3_81.5	81.5	34	600	2.3	3090	6310	17.2	600	1.2	3500	7000	
C 41 3_93.3	93.3	30	600	2.0	3080	6700	15.0	600	1.0	3500	7000	
C 41 3_102.3	102.3	27.4	600	1.8	3110	7000	13.7	600	0.92	3500	7000	
C 41 3_110.1	110.1	25.4	600	1.7	3090	7000	12.7	600	0.86	3500	7000	
C 41 3_120.6	120.6	23.2	600	1.6	3110	7000	11.6	600	0.78	3500	7000	
C 41 3_132.9	132.9	21.1	600	1.4	3090	7000	10.5	600	0.71	3500	7000	
C 41 3_145.6	145.6	19.2	600	1.3	3120	7000	9.6	600	0.65	3500	7000	
C 41 3_164.1	164.1	17.1	600	1.2	3100	7000	8.5	600	0.58	3500	7000	
C 41 3_179.9	179.9	15.6	600	1.1	3120	7000	7.8	600	0.53	3500	7000	
C 41 3_190.8	190.8	14.7	600	0.99	3110	7000	7.3	600	0.50	3500	7000	
C 41 3_209.1	209.1	13.4	600	0.90	3130	7000	6.7	600	0.45	3500	7000	
C 41 4_239.9	239.9	11.7	600	0.81	1480	7000	5.8	600	0.40	1910	7000	
C 41 4_263.0	263.0	10.6	600	0.74	1500	7000	5.3	600	0.37	1920	7000	
C 41 4_304.2	304.2	9.2	600	0.64	1520	7000	4.6	600	0.32	1950	7000	
C 41 4_333.4	333.4	8.4	600	0.58	1530	7000	4.2	600	0.29	1960	7000	
C 41 4_381.8	381.8	7.3	600	0.51	1540	7000	3.7	600	0.25	1970	7000	
C 41 4_418.5	418.5	6.7	600	0.46	1550	7000	3.3	600	0.23	1980	7000	
C 41 4_450.2	450.2	6.2	600	0.43	1560	7000	3.1	600	0.21	1990	7000	
C 41 4_493.5	493.5	5.7	600	0.39	1570	7000	2.8	600	0.20	2000	7000	
C 41 4_543.5	543.5	5.2	600	0.36	1570	7000	2.6	600	0.18	2000	7000	
C 41 4_595.8	595.8	4.7	600	0.32	1580	7000	2.3	600	0.16	2010	7000	
C 41 4_671.3	671.3	4.2	600	0.29	1590	7000	2.1	600	0.14	2020	7000	
C 41 4_735.9	735.9	3.8	600	0.26	1590	7000	1.9	600	0.13	2020	7000	
C 41 4_780.4	780.4	3.6	600	0.25	1600	7000	1.8	600	0.12	2030	7000	
C 41 4_855.5	855.5	3.3	600	0.23	1600	7000	1.6	600	0.11	2030	7000	



600 Nm


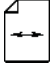
C 41

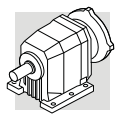
	i	$n_1 = 900 \text{ min}^{-1}$					$n_1 = 500 \text{ min}^{-1}$					
		n_2 min^{-1}	M_{n2} Nm	P_{n1} kW	R_{n1} N	R_{n2} N	n_2 min^{-1}	M_{n2} Nm	P_{n1} kW	R_{n1} N	R_{n2} N	
C 41 2_2.7	2.7	333	245	9.0	2560	2650	185	245	5.0	3500	3590	125
C 41 2_3.6	3.6	250	255	7.0	2710	3050	139	255	3.9	3500	4090	
C 41 2_4.7	4.7	191	260	5.5	2900	3440	106	260	3.0	3500	4570	
C 41 2_6.0	6.0	150	260	4.3	3080	3890	83	260	2.4	3500	5110	
C 41 2_6.4	6.4	141	400	6.2	3310	3780	78	490	4.2	3500	4580	
C 41 2_7.1	7.1	127	415	5.8	3460	3940	70	500	3.9	3500	4820	
C 41 2_8.6	8.6	105	445	5.1	3360	4180	58	500	3.2	3500	5290	
C 41 2_9.6	9.6	94	450	4.7	3500	4410	52	500	2.9	3500	5600	
C 41 2_11.2	11.2	80	490	4.3	3500	4520	45	500	2.5	3500	5980	
C 41 2_12.4	12.4	73	495	4.0	3500	4780	40	500	2.2	3500	6320	
C 41 2_14.2	14.2	63	500	3.5	3500	5060	35	500	1.9	3500	6700	
C 41 2_15.8	15.8	57	500	3.1	3500	5370	32	500	1.7	3500	7000	
C 41 2_17.8	17.8	51	500	2.8	3500	5650	28.1	500	1.5	3500	7000	
C 41 2_19.8	19.8	45	500	2.5	3500	5970	25.3	500	1.4	3500	7000	
C 41 2_22.6	22.6	40	500	2.2	3500	6320	22.1	500	1.2	3500	7000	
C 41 2_25.0	25.0	36	500	2.0	3500	6670	20.0	500	1.1	3500	7000	
C 41 2_28.3	28.3	32	500	1.8	3500	7000	17.7	500	0.97	3500	7000	
C 41 2_31.4	31.4	28.7	500	1.6	3500	7000	15.9	500	0.88	3500	7000	
C 41 2_33.4	33.4	26.9	500	1.5	3500	7000	15.0	500	0.83	3500	7000	
C 41 2_37.1	37.1	24.3	500	1.3	3500	7000	13.5	500	0.74	3500	7000	
C 41 2_44.8	44.8	20.1	500	1.1	3500	7000	11.2	500	0.62	3500	7000	
C 41 3_28.5	28.5	32	600	2.1	3500	6530	17.5	600	1.2	3500	7000	
C 41 3_31.2	31.2	28.8	600	1.9	3500	6870	16.0	600	1.1	3500	7000	
C 41 3_36.8	36.8	24.5	600	1.7	3500	7000	13.6	600	0.92	3500	7000	
C 41 3_40.3	40.3	22.3	600	1.5	3500	7000	12.4	600	0.84	3500	7000	
C 41 3_47.0	47.0	19.1	600	1.3	3500	7000	10.6	600	0.72	3500	7000	
C 41 3_51.5	51.5	17.5	600	1.2	3500	7000	9.7	600	0.66	3500	7000	
C 41 3_58.7	58.7	15.3	600	1.0	3500	7000	8.5	600	0.58	3500	7000	
C 41 3_64.3	64.3	14.0	600	0.95	3500	7000	7.8	600	0.53	3500	7000	
C 41 3_74.4	74.4	12.1	600	0.82	3500	7000	6.7	600	0.45	3500	7000	
C 41 3_81.5	81.5	11.0	600	0.75	3500	7000	6.1	600	0.41	3500	7000	
C 41 3_93.3	93.3	9.6	600	0.65	3500	7000	5.4	600	0.36	3500	7000	
C 41 3_102.3	102.3	8.8	600	0.59	3500	7000	4.9	600	0.33	3500	7000	
C 41 3_110.1	110.1	8.2	600	0.55	3500	7000	4.5	600	0.31	3500	7000	
C 41 3_120.6	120.6	7.5	600	0.50	3500	7000	4.1	600	0.28	3500	7000	
C 41 3_132.9	132.9	6.8	600	0.46	3500	7000	3.8	600	0.25	3500	7000	
C 41 3_145.6	145.6	6.2	600	0.42	3500	7000	3.4	600	0.23	3500	7000	
C 41 3_164.1	164.1	5.5	600	0.37	3500	7000	3.0	600	0.21	3500	7000	
C 41 3_179.9	179.9	5.0	600	0.34	3500	7000	2.8	600	0.19	3500	7000	
C 41 3_190.8	190.8	4.7	600	0.32	3500	7000	2.6	600	0.18	3500	7000	
C 41 3_209.1	209.1	4.3	600	0.29	3500	7000	2.4	600	0.16	3500	7000	
C 41 4_239.9	239.9	3.8	600	0.26	2200	7000	2.1	600	0.14	2200	7000	
C 41 4_263.0	263.0	3.4	600	0.24	2200	7000	1.9	600	0.13	2200	7000	
C 41 4_304.2	304.2	3.0	600	0.20	2200	7000	1.6	600	0.11	2200	7000	
C 41 4_333.4	333.4	2.7	600	0.19	2200	7000	1.5	600	0.10	2200	7000	
C 41 4_381.8	381.8	2.4	600	0.16	2200	7000	1.3	600	0.09	2200	7000	
C 41 4_418.5	418.5	2.2	600	0.15	2200	7000	1.2	600	0.08	2200	7000	
C 41 4_450.2	450.2	2.0	600	0.14	2200	7000	1.1	600	0.08	2200	7000	
C 41 4_493.5	493.5	1.8	600	0.13	2200	7000	1.0	600	0.07	2200	7000	
C 41 4_543.5	543.5	1.7	600	0.11	2200	7000	0.92	600	0.06	2200	7000	
C 41 4_595.8	595.8	1.5	600	0.10	2200	7000	0.84	600	0.06	2200	7000	
C 41 4_671.3	671.3	1.3	600	0.09	2200	7000	0.74	600	0.05	2200	7000	
C 41 4_735.9	735.9	1.2	600	0.08	2200	7000	0.68	600	0.05	2200	7000	
C 41 4_780.4	780.4	1.2	600	0.08	2200	7000	0.64	600	0.04	2200	7000	
C 41 4_855.5	855.5	1.1	600	0.07	2200	7000	0.58	600	0.04	2200	7000	




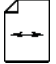
C 51

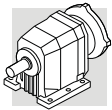
1000 Nm

	i	$n_1 = 2800 \text{ min}^{-1}$					$n_1 = 1400 \text{ min}^{-1}$					
		n_2 min^{-1}	M_{n2} Nm	P_{n1} kW	R_{n1} N	R_{n2} N	n_2 min^{-1}	M_{n2} Nm	P_{n1} kW	R_{n1} N	R_{n2} N	
C 51 2_2.6	2.6	1077	315	37	980	3340	538	400	24	1390	4200	128
C 51 2_3.3	3.3	848	340	32	1070	3610	424	420	19.6	1650	4580	
C 51 2_4.5	4.5	622	370	25	1170	4010	311	435	14.9	2010	5180	
C 51 2_5.6	5.6	500	390	21	1290	4380	250	435	12.0	2400	5760	
C 51 2_7.0	7.0	400	500	22	2270	4760	200	630	13.9	2860	6000	
C 51 2_7.8	7.8	359	510	20	2360	4940	179	640	12.7	2980	6230	
C 51 2_8.8	8.8	318	545	19.1	2300	5120	159	685	12.0	2900	6450	
C 51 2_9.8	9.8	286	545	17.2	2410	5350	143	685	10.8	3030	6750	
C 51 2_11.8	11.8	237	610	16.0	2310	5620	119	770	10.1	2910	7080	
C 51 2_13.1	13.1	214	595	14.0	2440	5930	107	750	8.8	3070	7470	
C 51 2_15.0	15.0	187	660	13.6	2330	6080	93	800	8.2	2980	7770	
C 51 2_16.6	16.6	169	640	11.9	2460	6420	84	795	7.4	3120	8130	
C 51 2_18.9	18.9	148	695	11.3	2330	6630	74	800	6.5	3050	8620	
C 51 2_21.0	21.0	133	675	9.9	2460	7000	67	795	5.8	3180	9020	
C 51 2_23.4	23.4	120	735	9.7	2320	7160	60	800	5.3	3110	9460	
C 51 2_25.9	25.9	108	715	8.5	2460	7550	54	795	4.7	3230	9890	
C 51 2_29.8	29.8	94	795	8.2	2310	7770	47	800	4.1	3180	10000	
C 51 2_33.0	33.0	85	775	7.2	2440	8190	42	795	3.7	3300	10000	
C 51 2_36.4	36.4	77	750	6.4	2390	8660	38	790	3.3	3220	10000	
C 51 2_40.4	40.4	69	795	6.1	2440	8870	35	795	3.0	3320	10000	
C 51 2_43.1	43.1	65	730	5.2	2450	9380	32	770	2.8	3280	10000	
C 51 2_47.8	47.8	59	800	5.2	2460	9530	29.3	800	2.6	3350	10000	
C 51 2_51.4	51.4	54	665	4.0	2550	10000	27.2	700	2.1	3390	10000	
C 51 2_57.0	57.0	49	745	4.0	2540	10000	24.6	785	2.1	3380	10000	
C 51 3_21.8	21.8	128	720	10.4	2870	6940	64	905	6.5	3500	8750	
C 51 3_23.9	23.9	117	730	9.6	2910	7230	59	920	6.1	3500	9110	
C 51 3_27.4	27.4	102	770	8.9	2890	7510	51	970	5.6	3500	9470	
C 51 3_30.1	30.1	93	780	8.2	2930	7830	47	1000	5.2	3500	9810	
C 51 3_37.0	37.0	76	840	7.2	2910	8330	38	1000	4.3	3500	10000	
C 51 3_40.5	40.5	69	855	6.7	2940	8670	35	1000	3.9	3500	10000	
C 51 3_46.7	46.7	60	905	6.1	2920	9020	30	1000	3.4	3500	10000	
C 51 3_51.2	51.2	55	920	5.7	2950	9390	27.3	1000	3.1	3500	10000	
C 51 3_59.0	59.0	47	970	5.2	2910	9780	23.7	1000	2.7	3500	10000	
C 51 3_64.6	64.6	43	1000	4.9	2940	10000	21.7	1000	2.4	3500	10000	
C 51 3_72.9	72.9	38	1000	4.3	2920	10000	19.2	1000	2.2	3500	10000	
C 51 3_79.9	79.9	35	1000	3.9	2960	10000	17.5	1000	2.0	3500	10000	
C 51 3_93.0	93.0	30	1000	3.4	2950	10000	15.1	1000	1.7	3500	10000	
C 51 3_101.8	101.8	27.5	1000	3.1	2990	10000	13.8	1000	1.5	3500	10000	
C 51 3_113.6	113.6	24.6	1000	2.8	2960	10000	12.3	1000	1.4	3500	10000	
C 51 3_124.4	124.4	22.5	1000	2.5	3000	10000	11.3	1000	1.3	3500	10000	
C 51 3_134.6	134.6	20.8	1000	2.3	2970	10000	10.4	1000	1.2	3500	10000	
C 51 3_147.4	147.4	19.0	1000	2.1	3010	10000	9.5	1000	1.1	3500	10000	
C 51 3_160.5	160.5	17.4	1000	2.0	2980	10000	8.7	1000	0.98	3500	10000	
C 51 3_175.8	175.8	15.9	1000	1.8	3020	10000	8.0	1000	0.90	3500	10000	
C 51 3_197.9	197.9	14.1	1000	1.6	2980	10000	7.1	1000	0.80	3500	10000	
C 51 3_216.7	216.7	12.9	1000	1.5	3020	10000	6.5	1000	0.73	3500	10000	
C 51 4_240.9	240.9	11.6	1000	1.3	2100	10000	5.8	1000	0.67	2200	10000	
C 51 4_263.8	263.8	10.6	1000	1.2	2120	10000	5.3	1000	0.61	2200	10000	
C 51 4_297.8	297.8	9.4	1000	1.1	2140	10000	4.7	1000	0.54	2200	10000	
C 51 4_326.1	326.1	8.6	1000	0.99	2160	10000	4.3	1000	0.49	2200	10000	
C 51 4_379.6	379.6	7.4	1000	0.85	2190	10000	3.7	1000	0.42	2200	10000	
C 51 4_415.7	415.7	6.7	1000	0.78	2200	10000	3.4	1000	0.39	2200	10000	
C 51 4_463.9	463.9	6.0	1000	0.69	2200	10000	3.0	1000	0.35	2200	10000	
C 51 4_508.0	508.0	5.5	1000	0.63	2200	10000	2.8	1000	0.32	2200	10000	
C 51 4_549.7	549.7	5.1	1000	0.59	2200	10000	2.5	1000	0.29	2200	10000	
C 51 4_602.0	602.0	4.7	1000	0.54	2200	10000	2.3	1000	0.27	2200	10000	
C 51 4_655.4	655.4	4.3	1000	0.49	2200	10000	2.1	1000	0.25	2200	10000	
C 51 4_717.7	717.7	3.9	1000	0.45	2200	10000	2.0	1000	0.22	2200	10000	
C 51 4_808.0	808.0	3.5	1000	0.40	2200	10000	1.7	1000	0.20	2200	10000	
C 51 4_884.9	884.9	3.2	1000	0.36	2200	10000	1.6	1000	0.18	2200	10000	





1000 Nm C 51

	i	n ₁ = 900 min ⁻¹					n ₁ = 500 min ⁻¹					
		n ₂ min ⁻¹	M _{n2} Nm	P _{n1} kW	R _{n1} N	R _{n2} N	n ₂ min ⁻¹	M _{n2} Nm	P _{n1} kW	R _{n1} N	R _{n2} N	
C 51 2_2.6	2.6	346	400	15.3	2560	5130	192	400	8.5	3500	6620	
C 51 2_3.3	3.3	273	420	12.6	2710	5590	152	420	7.0	3500	7200	
C 51 2_4.5	4.5	200	435	9.6	2900	6300	111	435	5.3	3500	8070	
C 51 2_5.6	5.6	161	435	7.7	3080	6970	89	435	4.3	3500	8880	
C 51 2_7.0	7.0	129	730	10.3	3310	6950	71	800	6.3	3500	8760	
C 51 2_7.8	7.8	115	740	9.4	3460	7220	64	800	5.7	3500	9140	
C 51 2_8.8	8.8	102	795	9.0	3360	7470	57	800	5.0	3500	9680	
C 51 2_9.8	9.8	92	800	8.1	3500	7790	51	800	4.5	3500	10000	
C 51 2_11.8	11.8	76	800	6.7	3500	8530	42	800	3.7	3500	10000	
C 51 2_13.1	13.1	69	800	6.1	3500	8900	38	800	3.4	3500	10000	
C 51 2_15.0	15.0	60	800	5.3	3500	9450	33	800	2.9	3500	10000	
C 51 2_16.6	16.6	54	800	4.8	3500	9850	30	800	2.7	3500	10000	
C 51 2_18.9	18.9	48	800	4.2	3500	10000	26.5	800	2.3	3500	10000	
C 51 2_21.0	21.0	43	800	3.8	3500	10000	23.8	800	2.1	3500	10000	
C 51 2_23.4	23.4	38	800	3.4	3500	10000	21.4	800	1.9	3500	10000	
C 51 2_25.9	25.9	35	800	3.1	3500	10000	19.3	800	1.7	3500	10000	
C 51 2_29.8	29.8	30	800	2.7	3500	10000	16.8	800	1.5	3500	10000	
C 51 2_33.0	33.0	27.3	800	2.4	3500	10000	15.2	800	1.3	3500	10000	
C 51 2_36.4	36.4	24.7	800	2.2	3500	10000	13.7	800	1.2	3500	10000	
C 51 2_40.4	40.4	22.3	800	2.0	3500	10000	12.4	800	1.1	3500	10000	
C 51 2_43.1	43.1	20.9	800	1.8	3500	10000	11.6	800	1.0	3500	10000	
C 51 2_47.8	47.8	18.8	800	1.7	3500	10000	10.5	800	0.92	3500	10000	
C 51 2_51.4	51.4	17.5	725	1.4	3500	10000	9.7	755	0.81	3500	10000	
C 51 2_57.0	57.0	15.8	795	1.4	3500	10000	8.8	795	0.77	3500	10000	
C 51 3_21.8	21.8	41	1000	4.6	3500	10000	22.9	1000	2.6	3500	10000	
C 51 3_23.9	23.9	38	1000	4.2	3500	10000	20.9	1000	2.4	3500	10000	
C 51 3_27.4	27.4	33	1000	3.7	3500	10000	18.2	1000	2.1	3500	10000	
C 51 3_30.1	30.1	29.9	1000	3.4	3500	10000	16.6	1000	1.9	3500	10000	
C 51 3_37.0	37.0	24.3	1000	2.7	3500	10000	13.5	1000	1.5	3500	10000	
C 51 3_40.5	40.5	22.2	1000	2.5	3500	10000	12.3	1000	1.4	3500	10000	
C 51 3_46.7	46.7	19.3	1000	2.2	3500	10000	10.7	1000	1.2	3500	10000	
C 51 3_51.2	51.2	17.6	1000	2.0	3500	10000	9.8	1000	1.1	3500	10000	
C 51 3_59.0	59.0	15.3	1000	1.7	3500	10000	8.5	1000	0.95	3500	10000	
C 51 3_64.6	64.6	13.9	1000	1.6	3500	10000	7.7	1000	0.87	3500	10000	
C 51 3_72.9	72.9	12.3	1000	1.4	3500	10000	6.9	1000	0.77	3500	10000	
C 51 3_79.9	79.9	11.3	1000	1.3	3500	10000	6.3	1000	0.70	3500	10000	
C 51 3_93.0	93.0	9.7	1000	1.1	3500	10000	5.4	1000	0.61	3500	10000	
C 51 3_101.8	101.8	8.8	1000	1.0	3500	10000	4.9	1000	0.55	3500	10000	
C 51 3_113.6	113.6	7.9	1000	0.89	3500	10000	4.4	1000	0.50	3500	10000	
C 51 3_124.4	124.4	7.2	1000	0.81	3500	10000	4.0	1000	0.45	3500	10000	
C 51 3_134.6	134.6	6.7	1000	0.75	3500	10000	3.7	1000	0.42	3500	10000	
C 51 3_147.4	147.4	6.1	1000	0.69	3500	10000	3.4	1000	0.38	3500	10000	
C 51 3_160.5	160.5	5.6	1000	0.63	3500	10000	3.1	1000	0.35	3500	10000	
C 51 3_175.8	175.8	5.1	1000	0.58	3500	10000	2.8	1000	0.32	3500	10000	
C 51 3_197.9	197.9	4.5	1000	0.51	3500	10000	2.5	1000	0.28	3500	10000	
C 51 3_216.7	216.7	4.2	1000	0.47	3500	10000	2.3	1000	0.26	3500	10000	
C 51 4_240.9	240.9	3.7	1000	0.43	2200	10000	2.1	1000	0.24	2200	10000	
C 51 4_263.8	263.8	3.4	1000	0.39	2200	10000	1.9	1000	0.22	2200	10000	
C 51 4_297.8	297.8	3.0	1000	0.35	2200	10000	1.7	1000	0.19	2200	10000	
C 51 4_326.1	326.1	2.8	1000	0.32	2200	10000	1.5	1000	0.18	2200	10000	
C 51 4_379.6	379.6	2.4	1000	0.27	2200	10000	1.3	1000	0.15	2200	10000	
C 51 4_415.7	415.7	2.2	1000	0.25	2200	10000	1.2	1000	0.14	2200	10000	
C 51 4_463.9	463.9	1.9	1000	0.22	2200	10000	1.1	1000	0.12	2200	10000	
C 51 4_508.0	508.0	1.8	1000	0.20	2200	10000	1.0	1000	0.11	2200	10000	
C 51 4_549.7	549.7	1.6	1000	0.19	2200	10000	0.91	1000	0.10	2200	10000	
C 51 4_602.0	602.0	1.5	1000	0.17	2200	10000	0.83	1000	0.10	2200	10000	
C 51 4_655.4	655.4	1.4	1000	0.16	2200	10000	0.76	1000	0.09	2200	10000	
C 51 4_717.7	717.7	1.3	1000	0.14	2200	10000	0.70	1000	0.08	2200	10000	
C 51 4_808.0	808.0	1.1	1000	0.13	2200	10000	0.62	1000	0.07	2200	10000	
C 51 4_884.9	884.9	1.0	1000	0.12	2200	10000	0.57	1000	0.07	2200	10000	

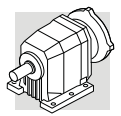


C 61


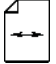
1600 Nm

	i	$n_1 = 2800 \text{ min}^{-1}$					$n_1 = 1400 \text{ min}^{-1}$					
		n_2 min^{-1}	M_{n2} Nm	P_{n1} kW	R_{n1} N	R_{n2} N	n_2 min^{-1}	M_{n2} Nm	P_{n1} kW	R_{n1} N	R_{n2} N	
C 61 2_2.8	2.8	1000	445	49	—	4670	500	550	30	770	5930	131
C 61 2_3.7	3.7	757	530	44	—	4950	378	575	24	1730	6600	
C 61 2_4.6	4.6	609	575	39	—	5280	304	600	20	2150	7130	
C 61 2_6.0	6.0	467	575	30	—	6000	233	625	16.1	2700	7950	
C 61 2_6.7	6.7	418	900	41	2230	5600	209	1130	26	2850	7060	
C 61 2_7.5	7.5	373	1000	41	2220	5620	187	1250	26	2900	7110	
C 61 2_8.8	8.8	318	1000	35	2290	6080	159	1250	22	2980	7690	
C 61 2_9.8	9.8	286	1100	35	2380	6140	143	1350	21	3330	7850	
C 61 2_10.9	10.9	257	1050	30	2530	6590	128	1350	19.1	2940	8210	
C 61 2_12.1	12.1	231	1150	29	2670	6670	116	1350	17.2	3600	8730	
C 61 2_14.3	14.3	196	1150	25	2450	7220	98	1350	14.6	3590	9430	
C 61 2_15.9	15.9	176	1250	24	2660	7350	88	1350	13.1	3780	9990	
C 61 2_17.7	17.7	158	1200	21	2540	7850	79	1350	11.8	3700	10400	
C 61 2_19.6	19.6	143	1300	20	2780	8000	71	1350	10.6	3890	11000	
C 61 2_22.4	22.4	125	1250	17.2	2630	8650	63	1350	9.3	3810	11600	
C 61 2_24.8	24.8	113	1350	16.8	2840	8840	56	1350	8.4	3980	12300	
C 61 2_27.4	27.4	102	1300	14.6	2600	9390	51	1350	7.6	3880	12800	
C 61 2_30.4	30.4	92	1350	13.7	2900	9770	46	1350	6.9	4050	13500	
C 61 2_34.2	34.2	82	1165	10.5	3020	10900	41	1225	5.5	4090	14500	
C 61 2_38.0	38.0	74	1280	10.4	3030	11100	37	1350	5.5	4100	14800	
C 61 3_26.8	26.8	104	1140	13.4	3740	9810	52	1435	8.4	4700	12400	
C 61 3_29.4	29.4	95	1160	12.4	3780	10200	48	1465	7.9	4700	12900	
C 61 3_33.0	33.0	85	1210	11.6	3750	10600	42	1525	7.3	4700	13300	
C 61 3_36.1	36.1	78	1235	10.8	3800	11000	39	1555	6.8	4700	13800	
C 61 3_43.4	43.4	65	1315	9.6	3760	11600	32	1600	5.8	4700	14800	
C 61 3_47.6	47.6	59	1340	8.9	3810	12100	29.4	1600	5.3	4700	15500	
C 61 3_53.5	53.5	52	1400	8.2	3760	12500	26.2	1600	4.7	4700	16000	
C 61 3_58.6	58.6	48	1430	7.7	3810	13000	23.9	1600	4.3	4700	16000	
C 61 3_67.7	67.7	41	1505	7.0	3750	13500	20.7	1600	3.7	4700	16000	
C 61 3_74.2	74.2	38	1535	6.5	3800	14100	18.9	1600	3.4	4700	16000	
C 61 3_83.0	83.0	34	1600	6.1	3740	14500	16.9	1600	3.0	4700	16000	
C 61 3_91.0	91.0	31	1600	5.5	3800	15200	15.4	1600	2.8	4700	16000	
C 61 3_103.6	103.6	27.0	1600	4.9	3760	16000	13.5	1600	2.4	4700	16000	
C 61 3_113.6	113.6	24.6	1600	4.4	3820	16000	12.3	1600	2.2	4700	16000	
C 61 3_128.1	128.1	21.9	1600	3.9	3790	16000	10.9	1600	2.0	4700	16000	
C 61 3_140.5	140.5	19.9	1600	3.6	3840	16000	10.0	1600	1.8	4700	16000	
C 61 3_150	150.0	18.7	1600	3.4	3800	16000	9.3	1600	1.7	4700	16000	
C 61 3_164.5	164.5	17.0	1600	3.1	3850	16000	8.5	1600	1.5	4700	16000	
C 61 3_178.6	178.6	15.7	1600	2.8	3800	16000	7.8	1600	1.4	4700	16000	
C 61 3_195.8	195.8	14.3	1600	2.6	3860	16000	7.2	1600	1.3	4700	16000	
C 61 4_217.4	217.4	12.9	1600	2.4	3020	16000	6.4	1600	1.2	3500	16000	
C 61 4_238.3	238.3	11.7	1600	2.2	3060	16000	5.9	1600	1.1	3500	16000	
C 61 4_275.3	275.3	10.2	1600	1.9	3100	16000	5.1	1600	0.94	3500	16000	
C 61 4_301.7	301.7	9.3	1600	1.7	3130	16000	4.6	1600	0.85	3500	16000	
C 61 4_337.7	337.7	8.3	1600	1.5	3160	16000	4.1	1600	0.76	3500	16000	
C 61 4_370.1	370.1	7.6	1600	1.4	3180	16000	3.8	1600	0.70	3500	16000	
C 61 4_421.5	421.5	6.6	1600	1.2	3200	16000	3.3	1600	0.61	3500	16000	
C 61 4_462.0	462.0	6.1	1600	1.1	3220	16000	3.0	1600	0.56	3500	16000	
C 61 4_521.1	521.1	5.4	1600	0.99	3240	16000	2.7	1600	0.49	3500	16000	
C 61 4_571.2	571.2	4.9	1600	0.90	3250	16000	2.5	1600	0.45	3500	16000	
C 61 4_610.1	610.1	4.6	1600	0.84	3260	16000	2.3	1600	0.42	3500	16000	
C 61 4_668.8	668.8	4.2	1600	0.77	3280	16000	2.1	1600	0.39	3500	16000	
C 61 4_726.3	726.3	3.9	1600	0.71	3290	16000	1.9	1600	0.35	3500	16000	
C 61 4_796.1	796.1	3.5	1600	0.65	3300	16000	1.8	1600	0.32	3500	16000	

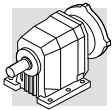
(-) Interpellare il ns. servizio tecnico comunicando i dati relativi al carico radiale (senso di rotazione, orientamento, posizione)
 (-) Contact our technical service department advising radial load data (rotation direction, orientation, position)
 (-) Nehmen Sie bitte Kontakt mit unserem Applikationsdienst und Querkraftsdaten angeben (Drehrichtung, Orientierung, Anordnung)
 (-) Consulter notre service technique en donnant les détails concernant la charge radiale (sens de rotation, indexage, position)



1600 Nm C 61

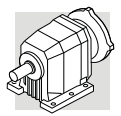
	i	$n_1 = 900 \text{ min}^{-1}$					$n_1 = 500 \text{ min}^{-1}$					
		n_2 min^{-1}	M_{n2} Nm	P_{n1} kW	R_{n1} N	R_{n2} N	n_2 min^{-1}	M_{n2} Nm	P_{n1} kW	R_{n1} N	R_{n2} N	
C 61 2_2.8	2.8	321	565	20	2840	7150	179	665	13.1	4050	8790	
C 61 2_3.7	3.7	243	625	16.8	3000	7800	135	665	9.9	4700	9860	
C 61 2_4.6	4.6	196	665	14.3	3170	8380	109	665	8.0	4700	10760	
C 61 2_6.0	6.0	150	665	11.0	4120	9440	83	665	6.1	4700	12000	
C 61 2_6.7	6.7	134	1350	20	2850	8050	75	1350	11.1	4700	10800	
C 61 2_7.5	7.5	120	1350	17.9	4010	8560	67	1350	9.9	4700	11400	
C 61 2_8.8	8.8	102	1350	15.2	4070	9240	57	1350	8.5	4700	12200	
C 61 2_9.8	9.8	92	1350	13.7	4310	9790	51	1350	7.6	4700	12900	
C 61 2_10.9	10.9	83	1350	12.3	4270	10200	46	1350	6.8	4700	13400	
C 61 2_12.1	12.1	74	1350	11.1	4480	10800	41	1350	6.1	4700	14100	
C 61 2_14.3	14.3	63	1350	9.4	4470	11600	35	1350	5.2	4700	15100	
C 61 2_15.9	15.9	57	1350	8.4	4660	12300	31	1350	4.7	4700	15900	
C 61 2_17.7	17.7	51	1350	7.6	4580	12800	28.2	1350	4.2	4700	16000	
C 61 2_19.6	19.6	46	1350	6.8	4700	13500	25.5	1350	3.8	4700	16000	
C 61 2_22.4	22.4	40	1350	6.0	4690	14200	22.3	1350	3.3	4700	16000	
C 61 2_24.8	24.8	36	1350	5.4	4700	14900	20.2	1350	3.0	4700	16000	
C 61 2_27.4	27.4	33	1350	4.9	4700	15500	18.2	1350	2.7	4700	16000	
C 61 2_30.4	30.4	29.6	1350	4.4	4700	16000	16.4	1350	2.4	4700	16000	
C 61 2_34.2	34.2	26.3	1265	3.7	4700	16000	14.6	1325	2.1	4700	16000	
C 61 2_38.0	38.0	23.7	1350	3.5	4700	16000	13.2	1350	2.0	4700	16000	
C 61 3_26.8	26.8	34	1600	6.0	4700	14500	18.7	1600	3.4	4700	16000	
C 61 3_29.4	29.4	31	1600	5.5	4700	15200	17.0	1600	3.1	4700	16000	
C 61 3_33.0	33.0	27.3	1600	4.9	4700	15900	15.2	1600	2.7	4700	16000	
C 61 3_36.1	36.1	24.9	1600	4.5	4700	16000	13.9	1600	2.5	4700	16000	
C 61 3_43.4	43.4	20.7	1600	3.7	4700	16000	11.5	1600	2.1	4700	16000	
C 61 3_47.6	47.6	18.9	1600	3.4	4700	16000	10.5	1600	1.9	4700	16000	
C 61 3_53.5	53.5	16.8	1600	3.0	4700	16000	9.3	1600	1.7	4700	16000	
C 61 3_58.6	58.6	15.4	1600	2.8	4700	16000	8.5	1600	1.5	4700	16000	
C 61 3_67.7	67.7	13.3	1600	2.4	4700	16000	7.4	1600	1.3	4700	16000	
C 61 3_74.2	74.2	12.1	1600	2.2	4700	16000	6.7	1600	1.2	4700	16000	
C 61 3_83.0	83.0	10.8	1600	2.0	4700	16000	6.0	1600	1.1	4700	16000	
C 61 3_91.0	91.0	9.9	1600	1.8	4700	16000	5.5	1600	0.99	4700	16000	
C 61 3_103.6	103.6	8.7	1600	1.6	4700	16000	4.8	1600	0.87	4700	16000	
C 61 3_113.6	113.6	7.9	1600	1.4	4700	16000	4.4	1600	0.79	4700	16000	
C 61 3_128.1	128.1	7.0	1600	1.3	4700	16000	3.9	1600	0.70	4700	16000	
C 61 3_140.5	140.5	6.4	1600	1.2	4700	16000	3.6	1600	0.64	4700	16000	
C 61 3_150	150.0	6.0	1600	1.1	4700	16000	3.3	1600	0.60	4700	16000	
C 61 3_164.5	164.5	5.5	1600	0.99	4700	16000	3.0	1600	0.55	4700	16000	
C 61 3_178.6	178.6	5.0	1600	0.91	4700	16000	2.8	1600	0.50	4700	16000	
C 61 3_195.8	195.8	4.6	1600	0.83	4700	16000	2.6	1600	0.46	4700	16000	
C 61 4_217.4	217.4	4.1	1600	0.76	3500	16000	2.3	1600	0.42	3500	16000	
C 61 4_238.3	238.3	3.8	1600	0.70	3500	16000	2.1	1600	0.39	3500	16000	
C 61 4_275.3	275.3	3.3	1600	0.60	3500	16000	1.8	1600	0.33	3500	16000	
C 61 4_301.7	301.7	3.0	1600	0.55	3500	16000	1.7	1600	0.31	3500	16000	
C 61 4_337.7	337.7	2.7	1600	0.49	3500	16000	1.5	1600	0.27	3500	16000	
C 61 4_370.1	370.1	2.4	1600	0.45	3500	16000	1.4	1600	0.25	3500	16000	
C 61 4_421.5	421.5	2.1	1600	0.39	3500	16000	1.2	1600	0.22	3500	16000	
C 61 4_462.0	462.0	1.9	1600	0.36	3500	16000	1.1	1600	0.20	3500	16000	
C 61 4_521.1	521.1	1.7	1600	0.32	3500	16000	1.0	1600	0.18	3500	16000	
C 61 4_571.2	571.2	1.6	1600	0.29	3500	16000	0.88	1600	0.16	3500	16000	
C 61 4_610.1	610.1	1.5	1600	0.27	3500	16000	0.82	1600	0.15	3500	16000	
C 61 4_668.8	668.8	1.3	1600	0.25	3500	16000	0.75	1600	0.14	3500	16000	
C 61 4_726.3	726.3	1.2	1600	0.23	3500	16000	0.69	1600	0.13	3500	16000	
C 61 4_796.1	796.1	1.1	1600	0.21	3500	16000	0.63	1600	0.12	3500	16000	

131


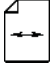
**C 70****2300 Nm**

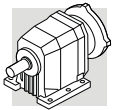
	i	$n_1 = 2800 \text{ min}^{-1}$					$n_1 = 1400 \text{ min}^{-1}$					
		n_2 min^{-1}	M_{n2} Nm	P_{n1} kW	R_{n1} N	R_{n2} N	n_2 min^{-1}	M_{n2} Nm	P_{n1} kW	R_{n1} N	R_{n2} N	
C 70 2_4.6	4.6	613	1400	95	—	5590	306	1700	57	—	7100	134
C 70 2_5.9	5.9	479	1550	82	—	5610	239	1900	50	—	6990	
C 70 2_6.3	6.3	448	1600	79	1980	6570	224	1950	48	2630	8250	
C 70 2_7.5	7.5	375	1550	64	—	7130	188	1950	40	—	8400	
C 70 2_8.0	8.0	350	1750	68	1760	6840	175	2100	41	2670	8880	
C 70 2_9.5	9.5	294	1600	52	770	8260	147	2000	32	620	9910	
C 70 2_10.2	10.2	274	1900	57	2000	7200	137	2100	32	4470	10800	
C 70 2_11.2	11.2	250	1600	44	1130	9350	125	2000	28	1070	11300	
C 70 2_13.0	13.0	215	2050	49	1860	7700	107	2100	25	5600	12900	
C 70 2_14.1	14.1	199	1700	37	1100	10120	99	2100	23	1280	12400	
C 70 2_15.3	15.3	183	2100	42	1810	8540	91	2100	21	5860	14300	
C 70 2_16.7	16.7	168	1700	31	1570	11400	84	2050	18.9	2350	14300	
C 70 2_19.3	19.3	145	2100	34	2730	10370	73	2100	16.8	6000	16300	
C 70 2_22.9	22.9	123	2100	28	3160	11760	61	2100	14.2	6060	18000	
C 70 2_27.7	27.7	101	2100	23	3570	13390	51	2100	11.7	6120	19900	
C 70 2_34.7	34.7	81	2100	18.7	3960	15390	40	2100	9.3	6180	22200	
C 70 3_41.3	41.3	68	1900	14.5	5670	18400	34	2300	8.8	7000	22800	
C 70 3_44.7	44.7	63	1900	13.4	5700	19100	31	2300	8.1	7000	23800	
C 70 3_52.2	52.2	54	2050	12.4	5680	19600	26.8	2300	7.0	7000	25000	
C 70 3_56.5	56.5	50	2050	11.4	5710	20400	24.8	2300	6.4	7000	25000	
C 70 3_65.9	65.9	43	2200	10.5	5670	21000	21.3	2300	5.5	7000	25000	
C 70 3_71.3	71.3	39	2200	9.7	5710	21900	19.6	2300	5.1	7000	25000	
C 70 3_81.4	81.4	34	2300	8.9	5680	22700	17.2	2300	4.5	7000	25000	
C 70 3_88.2	88.2	32	2300	8.2	5710	23600	15.9	2300	4.1	7000	25000	
C 70 3_103.8	103.8	27.0	2300	7.0	5700	25000	13.5	2300	3.5	7000	25000	
C 70 3_112.4	112.4	24.9	2300	6.4	5740	25000	12.5	2300	3.2	7000	25000	
C 70 3_126.8	126.8	22.1	2300	5.7	5720	25000	11.0	2300	2.9	7000	25000	
C 70 3_137.4	137.4	20.4	2300	5.3	5750	25000	10.2	2300	2.6	7000	25000	
C 70 3_150.3	150.3	18.6	2300	4.8	5730	25000	9.3	2300	2.4	7000	25000	
C 70 3_162.8	162.8	17.2	2300	4.5	5760	25000	8.6	2300	2.2	7000	25000	
C 70 3_179.2	179.2	15.6	2300	4.0	5740	25000	7.8	2300	2.0	7000	25000	
C 70 3_194.1	194.1	14.4	2300	3.7	5770	25000	7.2	2300	1.9	7000	25000	
C 70 3_220.9	220.9	12.7	2250	3.2	5750	25000	6.3	2250	1.6	7000	25000	
C 70 3_239.3	239.3	11.7	2300	3.0	5770	25000	5.8	2300	1.5	7000	25000	
C 70 4_251.3	251.3	11.1	2300	2.9	2000	25000	5.6	2300	1.5	2620	25000	
C 70 4_272.2	272.2	10.3	2300	2.7	2030	25000	5.1	2300	1.4	2650	25000	
C 70 4_317.9	317.9	8.8	2300	2.3	2030	25000	4.4	2300	1.2	2650	25000	
C 70 4_344.3	344.3	8.1	2300	2.2	2050	25000	4.1	2300	1.1	2670	25000	
C 70 4_409.4	409.4	6.8	2300	1.8	2050	25000	3.4	2300	0.90	2670	25000	
C 70 4_443.5	443.5	6.3	2300	1.7	2070	25000	3.2	2300	0.80	2700	25000	
C 70 4_512.0	512.0	5.5	2300	1.4	2070	25000	2.7	2300	0.70	2680	25000	
C 70 4_554.7	554.7	5.0	2300	1.3	2090	25000	2.5	2300	0.70	2710	25000	
C 70 4_606.8	606.8	4.6	2300	1.2	2080	25000	2.3	2300	0.60	2700	25000	
C 70 4_657.3	657.3	4.3	2300	1.1	2100	25000	2.1	2300	0.60	2720	25000	
C 70 4_736.0	736.0	3.8	2300	1.0	2090	25000	1.9	2300	0.50	2700	25000	
C 70 4_797.3	797.3	3.5	2300	0.90	2110	25000	1.8	2300	0.50	2720	25000	
C 70 4_922.6	922.6	3.0	2300	0.80	2100	25000	1.5	2300	0.40	2710	25000	
C 70 4_999.5	999.5	2.8	2300	0.70	2110	25000	1.4	2300	0.40	2730	25000	
C 70 4_1069	1069	2.6	2300	0.70	2100	25000	1.3	2300	0.30	2720	25000	
C 70 4_1158	1158	2.4	2300	0.60	2100	25000	1.2	2300	0.30	2800	25000	
C 70 4_1362	1362	2.1	2300	0.50	2100	25000	1.0	2300	0.30	2800	25000	
C 70 4_1476	1476	1.9	2300	0.50	2100	25000	0.90	2300	0.30	2800	25000	

(-) Interpellare il ns. servizio tecnico comunicando i dati relativi al carico radiale (senso di rotazione, orientamento, posizione)
 (-) Contact our technical service department advising radial load data (rotation direction, load angle, offset)
 (-) Nehmen Sie bitte Kontakt mit unserem Applikationsdienst und Querkraftsdaten angeben (Drehrichtung, Orientierung, Anordnung)
 (-) Consulter notre service technique en donnant les détails concernant la charge radiale (sens de rotation, indexage, position)




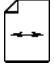
2300 Nm **C 70**

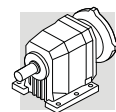
	i	n ₁ = 900 min ⁻¹					n ₁ = 500 min ⁻¹					
		n ₂ min ⁻¹	M _{n2} Nm	P _{n1} kW	R _{n1} N	R _{n2} N	n ₂ min ⁻¹	M _{n2} Nm	P _{n1} kW	R _{n1} N	R _{n2} N	
C 70 2_4.6	4.6	197	1800	39	650	9360	109	1800	22	5500	13900	134
C 70 2_5.9	5.9	154	1950	33	560	9980	85	2150	20.0	2890	13400	
C 70 2_6.3	6.3	144	2100	33	4260	10400	80	2100	18.5	7000	15500	
C 70 2_7.5	7.5	121	2100	28	1120	10800	67	2150	15.9	5400	15600	
C 70 2_8.0	8.0	113	2100	26	5800	12500	63	2100	14.5	7000	17800	
C 70 2_9.5	9.5	95	2150	22	2140	12400	53	2150	12.4	6990	18100	
C 70 2_10.2	10.2	88	2100	20.0	6870	14600	49	2100	11.3	7000	20200	
C 70 2_11.2	11.2	80	2150	19.0	2620	14000	45	2150	10.6	7000	19800	
C 70 2_13.0	13.0	69	2100	16.0	7000	16900	38	2100	8.9	7000	22800	
C 70 2_14.1	14.1	64	2150	15.1	3900	16000	35	2150	8.4	7000	22300	
C 70 2_15.3	15.3	59	2100	13.6	7000	18400	33	2100	7.5	7000	24600	
C 70 2_16.7	16.7	54	2050	12.2	5470	18500	29.9	2050	6.8	7000	25000	
C 70 2_19.3	19.3	47	2100	10.8	7000	20700	25.9	2100	6.0	7000	25000	
C 70 2_22.9	22.9	39	2100	9.1	7000	22500	21.9	2100	5.1	7000	25000	
C 70 2_27.7	27.7	32	2100	7.5	7000	24600	18.0	2100	4.2	7000	25000	
C 70 2_34.7	34.7	25.9	2100	6.0	7000	25000	14.4	2100	3.3	7000	25000	
C 70 3_41.3	41.3	21.8	2300	5.6	7000	25000	12.1	2300	3.1	7000	25000	
C 70 3_44.7	44.7	20.1	2300	5.2	7000	25000	11.2	2300	2.9	7000	25000	
C 70 3_52.2	52.2	17.3	2300	4.5	7000	25000	9.6	2300	2.5	7000	25000	
C 70 3_56.5	56.5	15.9	2300	4.1	7000	25000	8.8	2300	2.3	7000	25000	
C 70 3_65.9	65.9	13.7	2300	3.5	7000	25000	7.6	2300	2.0	7000	25000	
C 70 3_71.3	71.3	12.6	2300	3.3	7000	25000	7.0	2300	1.8	7000	25000	
C 70 3_81.4	81.4	11.1	2300	2.9	7000	25000	6.1	2300	1.6	7000	25000	
C 70 3_88.2	88.2	10.2	2300	2.6	7000	25000	5.7	2300	1.5	7000	25000	
C 70 3_103.8	103.8	8.7	2300	2.2	7000	25000	4.8	2300	1.2	7000	25000	
C 70 3_112.4	112.4	8.0	2300	2.1	7000	25000	4.4	2300	1.2	7000	25000	
C 70 3_126.8	126.8	7.1	2300	1.8	7000	25000	3.9	2300	1.0	7000	25000	
C 70 3_137.4	137.4	6.6	2300	1.7	7000	25000	3.6	2300	0.90	7000	25000	
C 70 3_150.3	150.3	6.0	2300	1.6	7000	25000	3.3	2300	0.90	7000	25000	
C 70 3_162.8	162.8	5.5	2300	1.4	7000	25000	3.1	2300	0.80	7000	25000	
C 70 3_179.2	179.2	5.0	2300	1.3	7000	25000	2.8	2300	0.70	7000	25000	
C 70 3_194.1	194.1	4.6	2300	1.2	7000	25000	2.6	2300	0.70	7000	25000	
C 70 3_220.9	220.9	4.1	2250	1.0	7000	25000	2.3	2250	0.60	7000	25000	
C 70 3_239.3	239.3	3.8	2300	1.0	7000	25000	2.1	2300	0.50	7000	25000	
C 70 4_251.3	251.3	3.6	2300	0.90	2000	25000	2.0	2300	0.50	2620	25000	
C 70 4_272.2	272.2	3.3	2300	0.90	2030	25000	1.8	2300	0.50	2650	25000	
C 70 4_317.9	317.9	2.8	2300	0.70	2030	25000	1.6	2300	0.40	2650	25000	
C 70 4_344.3	344.3	2.6	2300	0.70	2050	25000	1.5	2300	0.40	2670	25000	
C 70 4_409.4	409.4	2.2	2300	0.60	2050	25000	1.2	2300	0.30	2670	25000	
C 70 4_443.5	443.5	2.0	2300	0.50	2070	25000	1.1	2300	0.30	2700	25000	
C 70 4_512.0	512.0	1.8	2300	0.50	2070	25000	1.0	2300	0.30	2680	25000	
C 70 4_554.7	554.7	1.6	2300	0.40	2090	25000	0.90	2300	0.20	2710	25000	
C 70 4_606.8	606.8	1.5	2300	0.40	2080	25000	0.80	2300	0.20	2700	25000	
C 70 4_657.3	657.3	1.4	2300	0.40	2100	25000	0.80	2300	0.20	2720	25000	
C 70 4_736.0	736.0	1.2	2300	0.30	2090	25000	0.70	2300	0.20	2700	25000	
C 70 4_797.3	797.3	1.1	2300	0.30	2110	25000	0.60	2300	0.20	2720	25000	
C 70 4_922.6	922.6	1.0	2300	0.30	2100	25000	0.50	2300	0.10	2710	25000	
C 70 4_999.5	999.5	0.90	2300	0.20	2110	25000	0.50	2300	0.10	2730	25000	
C 70 4_1069	1069	0.80	2300	0.20	2100	25000	0.50	2300	0.10	2720	25000	
C 70 4_1158	1158	0.80	2300	0.20	2100	25000	0.40	2300	0.10	2800	25000	
C 70 4_1362	1362	0.70	2300	0.20	2100	25000	0.40	2300	0.10	2800	25000	
C 70 4_1476	1476	0.60	2300	0.20	2100	25000	0.30	2300	0.10	2800	25000	



C 80



4000 Nm

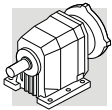
	i	n ₁ = 2800 min ⁻¹					n ₁ = 1400 min ⁻¹					
		n ₂ min ⁻¹	M _{n2} Nm	P _{n1} kW	R _{n1} N	R _{n2} N	n ₂ min ⁻¹	M _{n2} Nm	P _{n1} kW	R _{n1} N	R _{n2} N	
C 80 2_5.6	5.6	496	2400	131	370	10900	248	3100	85	690	12300	137
C 80 2_6.1	6.1	458	2450	124	890	11000	229	3150	80	1380	12700	
C 80 2_7.0	7.0	398	2650	116	350	11000	199	3350	73	910	12900	
C 80 2_7.6	7.6	367	2700	109	890	11300	183	3400	69	1600	13300	
C 80 2_8.9	8.9	316	2800	98	420	12100	158	3500	61	1120	14500	
C 80 2_9.6	9.6	292	3000	96	520	11300	146	3700	59	1380	13900	
C 80 2_11.1	11.1	252	2800	78	1110	14200	126	3500	49	1950	17100	
C 80 2_12.0	12.0	233	3000	77	1200	13500	116	3700	48	2190	16600	
C 80 2_13.8	13.8	203	2800	63	1420	16400	102	3500	39	2330	19800	
C 80 2_14.9	14.9	188	3000	62	1510	15800	94	3700	38	2560	19300	
C 80 2_16.7	16.7	168	2800	52	1840	18500	84	3500	32	2840	22300	
C 80 2_18.1	18.1	155	3000	50	1930	17900	78	3700	32	3060	22000	
C 80 2_20.5	20.5	136	2850	43	2000	20500	68	3550	27	3060	24800	
C 80 2_22.2	22.2	126	3000	42	2210	20300	63	3700	26	3400	24900	
C 80 2_24.0	24.0	117	2850	37	2090	22400	58	3550	23	3180	27000	
C 80 2_25.9	25.9	108	3000	36	2300	22300	54	3700	22	3510	27200	
C 80 2_31.3	31.3	89	3000	30	2480	24700	45	3700	18.2	3730	30000	
C 80 2_39.1	39.1	72	2500	19.7	3820	31000	36	3200	12.6	5060	35000	
C 80 3_43.5	43.5	64	3100	22.5	5610	28700	32	3800	13.8	7000	34800	
C 80 3_47.4	47.4	59	3100	20.6	5660	30000	29.5	3800	12.6	7000	35000	
C 80 3_57.3	57.3	49	3400	18.7	5620	30500	24.4	4000	11.0	7000	35000	
C 80 3_62.5	62.5	45	3400	17.1	5670	31800	22.4	4000	10.1	7000	35000	
C 80 3_70.5	70.5	40	3650	16.3	5620	32200	19.9	4000	8.9	7000	35000	
C 80 3_76.9	76.9	36	3600	14.8	5670	33900	18.2	4000	8.2	7000	35000	
C 80 3_89.3	89.3	31	3900	13.8	5620	34700	15.7	4000	7.1	7000	35000	
C 80 3_97.4	97.4	28.7	3900	12.6	5670	35000	14.4	4000	6.5	7000	35000	
C 80 3_109.5	109.5	25.5	4000	11.5	5630	35000	12.8	4000	5.8	7000	35000	
C 80 3_119.5	119.5	23.4	4000	10.6	5680	35000	11.7	4000	5.3	7000	35000	
C 80 3_136.7	136.7	20.5	4000	9.2	5660	35000	10.2	4000	4.6	7000	35000	
C 80 3_149.1	149.1	18.8	4000	8.5	5700	35000	9.4	4000	4.2	7000	35000	
C 80 3_169.0	169.0	16.6	4000	7.5	5680	35000	8.3	4000	3.7	7000	35000	
C 80 3_184.4	184.4	15.2	4000	6.8	5720	35000	7.6	4000	3.4	7000	35000	
C 80 3_197.9	197.9	14.2	3800	6.1	5710	35000	7.1	3800	3.0	7000	35000	
C 80 3_215.9	215.9	13.0	4000	5.8	5730	35000	6.5	4000	2.9	7000	35000	
C 80 4_261.9	261.9	10.7	4000	4.9	1850	35000	5.3	4000	2.5	2470	35000	
C 80 4_285.7	285.7	9.8	4000	4.5	1890	35000	4.9	4000	2.3	2510	35000	
C 80 4_334.3	334.3	8.4	4000	3.9	1880	35000	4.2	4000	1.9	2500	35000	
C 80 4_364.7	364.7	7.7	4000	3.5	1920	35000	3.8	4000	1.8	2540	35000	
C 80 4_417.5	417.5	6.7	4000	3.1	1910	35000	3.4	4000	1.5	2530	35000	
C 80 4_455.4	455.4	6.1	4000	2.8	1950	35000	3.1	4000	1.4	2570	35000	
C 80 4_529.3	529.3	5.3	4000	2.4	1940	35000	2.6	4000	1.2	2550	35000	
C 80 4_577.4	577.4	4.8	4000	2.2	1970	35000	2.4	4000	1.1	2590	35000	
C 80 4_664.3	664.3	4.2	4000	1.9	1960	35000	2.1	4000	1.0	2570	35000	
C 80 4_724.7	724.7	3.9	4000	1.8	1990	35000	1.9	4000	0.90	2610	35000	
C 80 4_783.4	783.4	3.6	4000	1.6	1970	35000	1.8	4000	0.80	2590	35000	
C 80 4_854.6	854.6	3.3	4000	1.5	2000	35000	1.6	4000	0.80	2620	35000	
C 80 4_945.7	945.7	3.0	4000	1.4	1980	35000	1.5	4000	0.70	2600	35000	
C 80 4_1032	1032	2.7	4000	1.2	2010	35000	1.4	4000	0.60	2630	35000	
C 80 4_1168	1168	2.4	4000	1.1	1980	35000	1.2	4000	0.60	2600	35000	
C 80 4_1274	1274	2.2	4000	1.0	2020	35000	1.1	4000	0.50	2640	35000	
C 80 4_1358	1358	2.1	4000	0.90	1990	35000	1.0	4000	0.50	2610	35000	
C 80 4_1481	1481	1.9	4000	0.90	2030	35000	0.90	4000	0.40	2640	35000	



4000 Nm


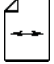
C 80

	i	n ₁ = 900 min ⁻¹					n ₁ = 500 min ⁻¹					
		n ₂ min ⁻¹	M _{n2} Nm	P _{n1} kW	R _{n1} N	R _{n2} N	n ₂ min ⁻¹	M _{n2} Nm	P _{n1} kW	R _{n1} N	R _{n2} N	
C 80 2_5.6	5.6	160	3500	62	1480	14400	89	3500	34	4970	21600	137
C 80 2_6.1	6.1	147	3600	58	2100	14400	82	3700	33	5270	21200	
C 80 2_7.0	7.0	128	3500	49	2630	17000	71	3500	27	6130	24600	
C 80 2_7.6	7.6	118	3650	47	3060	16800	66	3650	26	6550	24600	
C 80 2_8.9	8.9	102	3500	39	3330	19900	56	3500	22	6800	27800	
C 80 2_9.6	9.6	94	3700	38	3590	19400	52	3700	21	7000	27700	
C 80 2_11.1	11.1	81	3500	31	4160	22800	45	3500	17.4	7000	31200	
C 80 2_12.0	12.0	75	3700	31	4400	22500	42	3700	17.0	7000	31200	
C 80 2_13.8	13.8	65	3500	25	4540	25700	36	3500	14.0	7000	34700	
C 80 2_14.9	14.9	60	3700	25	4770	25500	34	3700	13.7	7000	34700	
C 80 2_16.7	16.7	54	3500	21	5050	28500	30	3500	11.6	7000	35000	
C 80 2_18.1	18.1	50	3700	20	5280	28400	27.7	3700	11.3	7000	35000	
C 80 2_20.5	20.5	44	3550	17.2	5270	31400	24.4	3550	9.5	7000	35000	
C 80 2_22.2	22.2	40	3700	16.5	5610	31600	22.5	3700	9.2	7000	35000	
C 80 2_24.0	24.0	38	3550	14.7	5390	33800	20.9	3550	8.2	7000	35000	
C 80 2_25.9	25.9	35	3700	14.1	5730	34200	19.3	3700	7.9	7000	35000	
C 80 2_31.3	31.3	28.7	3700	11.7	5940	35000	16.0	3700	6.5	7000	35000	
C 80 2_39.1	39.1	23.0	3200	8.1	7000	35000	12.8	3200	4.5	7000	35000	
C 80 3_43.5	43.5	20.7	4000	9.3	7000	35000	11.5	4000	5.2	7000	35000	
C 80 3_47.4	47.4	19.0	4000	8.5	7000	35000	10.5	4000	4.7	7000	35000	
C 80 3_57.3	57.3	15.7	4000	7.1	7000	35000	8.7	4000	3.9	7000	35000	
C 80 3_62.5	62.5	14.4	4000	6.5	7000	35000	8.0	4000	3.6	7000	35000	
C 80 3_70.5	70.5	12.8	4000	5.7	7000	35000	7.1	4000	3.2	7000	35000	
C 80 3_76.9	76.9	11.7	4000	5.3	7000	35000	6.5	4000	2.9	7000	35000	
C 80 3_89.3	89.3	10.1	4000	4.5	7000	35000	5.6	4000	2.5	7000	35000	
C 80 3_97.4	97.4	9.2	4000	4.2	7000	35000	5.1	4000	2.3	7000	35000	
C 80 3_109.5	109.5	8.2	4000	3.7	7000	35000	4.6	4000	2.1	7000	35000	
C 80 3_119.5	119.5	7.5	4000	3.4	7000	35000	4.2	4000	1.9	7000	35000	
C 80 3_136.7	136.7	6.6	4000	3.0	7000	35000	3.7	4000	1.6	7000	35000	
C 80 3_149.1	149.1	6.0	4000	2.7	7000	35000	3.4	4000	1.5	7000	35000	
C 80 3_169.0	169.0	5.3	4000	2.4	7000	35000	3.0	4000	1.3	7000	35000	
C 80 3_184.4	184.4	4.9	4000	2.2	7000	35000	2.7	4000	1.2	7000	35000	
C 80 3_197.9	197.9	4.5	3800	1.9	7000	35000	2.5	3800	1.1	7000	35000	
C 80 3_215.9	215.9	4.2	4000	1.9	7000	35000	2.3	4000	1.0	7000	35000	
C 80 4_261.9	261.9	3.4	4000	1.6	2950	35000	1.9	4000	0.90	3500	35000	
C 80 4_285.7	285.7	3.2	4000	1.4	2990	35000	1.8	4000	0.80	3500	35000	
C 80 4_334.3	334.3	2.7	4000	1.2	2980	35000	1.5	4000	0.70	3500	35000	
C 80 4_364.7	364.7	2.5	4000	1.1	3020	35000	1.4	4000	0.60	3500	35000	
C 80 4_417.5	417.5	2.2	4000	1.0	3000	35000	1.2	4000	0.60	3500	35000	
C 80 4_455.4	455.4	2.0	4000	0.90	3050	35000	1.1	4000	0.50	3500	35000	
C 80 4_529.3	529.3	1.7	4000	0.80	3030	35000	0.90	4000	0.40	3500	35000	
C 80 4_577.4	577.4	1.6	4000	0.70	3070	35000	0.90	4000	0.40	3500	35000	
C 80 4_664.3	664.3	1.4	4000	0.60	3050	35000	0.80	4000	0.30	3500	35000	
C 80 4_724.7	724.7	1.2	4000	0.60	3090	35000	0.70	4000	0.30	3500	35000	
C 80 4_783.4	783.4	1.1	4000	0.50	3060	35000	0.60	4000	0.30	3500	35000	
C 80 4_854.6	854.6	1.1	4000	0.50	3100	35000	0.60	4000	0.30	3500	35000	
C 80 4_945.7	945.7	1.0	4000	0.40	3070	35000	0.50	4000	0.20	3500	35000	
C 80 4_1032	1032	0.90	4000	0.40	3110	35000	0.50	4000	0.20	3500	35000	
C 80 4_1168	1168	0.80	4000	0.40	3080	35000	0.40	4000	0.20	3500	35000	
C 80 4_1274	1274	0.70	4000	0.30	3110	35000	0.40	4000	0.20	3500	35000	
C 80 4_1358	1358	0.70	4000	0.30	3090	35000	0.40	4000	0.20	3500	35000	
C 80 4_1481	1481	0.60	4000	0.30	3120	35000	0.30	4000	0.20	3500	35000	



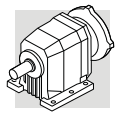
C 90

7200 Nm

	i	n ₁ = 2800 min ⁻¹					n ₁ = 1400 min ⁻¹					
		n ₂ min ⁻¹	M _{n2} Nm	P _{n1} kW	R _{n1} N	R _{n2} N	n ₂ min ⁻¹	M _{n2} Nm	P _{n1} kW	R _{n1} N	R _{n2} N	
C 90 2_5.2	5.2	542	3500	209	1700	12800	271	4300	128	2170	15800	
C 90 2_5.6	5.6	500	3600	198	3240	12800	250	4400	121	4250	16000	
C 90 2_6.8	6.8	414	3850	176	1860	13390	207	4750	108	2210	16400	
C 90 2_7.3	7.3	383	3950	167	3470	13460	191	4850	102	4360	16700	
C 90 2_8.3	8.3	336	4150	154	2010	13830	168	5100	94	2540	17100	
C 90 2_9.0	9.0	310	4250	145	3660	13960	155	5200	89	4720	17500	
C 90 2_10.4	10.4	270	4500	134	990	14210	135	5550	83	1150	17400	
C 90 2_11.2	11.2	249	4600	126	2750	14390	125	5650	78	3460	17800	
C 90 2_12.8	12.8	219	4850	117	580	14670	109	5950	72	840	18200	
C 90 2_13.9	13.9	202	4900	109	2700	15330	101	6050	67	3220	18700	
C 90 2_16.0	16.0	175	5050	98	690	16790	88	6200	60	950	20800	
C 90 2_17.3	17.3	162	5300	94	1670	15880	81	6500	58	2200	19800	
C 90 2_18.7	18.7	150	5050	83	1140	19600	75	6200	51	1500	24300	
C 90 2_20.2	20.2	138	5400	82	1540	17920	69	6600	50	2160	22500	
C 90 2_22.9	22.9	122	5050	68	2110	22350	61	6200	42	2700	27600	
C 90 2_24.8	24.8	113	5400	67	2500	21890	56	6600	41	3340	27300	
C 90 2_27.2	27.2	103	4500	51	6160	26030	52	5500	31	7820	32200	
C 90 2_29.4	29.4	95	4800	50	6560	25960	48	5900	31	8130	32000	
C 90 2_35.1	35.1	80	4400	39	8090	29420	40	5400	24	11100	36300	
C 90 3_39.4	39.4	71	6350	51	10800	23900	36	7100	28	13700	32900	
C 90 3_43.0	43.0	65	6500	48	10800	24700	33	7200	26	13800	34000	
C 90 3_50.3	50.3	56	6800	43	10800	26000	27.8	7100	22	13800	37000	
C 90 3_54.9	54.9	51	7000	40	10900	26500	25.5	7200	21	13900	38300	
C 90 3_59.2	59.2	47	7100	38	10800	27700	23.6	7100	18.9	13900	40000	
C 90 3_64.6	64.6	43	7200	35	10900	29100	21.7	7200	17.6	14000	41300	
C 90 3_74.4	74.4	38	7100	30	10900	31900	18.8	7100	15.0	14000	44400	
C 90 3_81.2	81.2	34	7200	28	10900	33000	17.2	7200	14.0	14100	45900	
C 90 3_88.2	88.2	32	7100	25	11000	34800	15.9	7100	12.7	14000	47900	
C 90 3_96.2	96.2	29.1	7200	24	11000	35900	14.5	7200	11.8	14100	49400	
C 90 3_107.0	107.0	26.2	7100	21	11000	38100	13.1	7100	10.5	14100	52100	
C 90 3_116.7	116.7	24.0	7200	19.4	11000	39400	12.0	7200	9.7	14100	53700	
C 90 3_134.1	134.1	20.9	7100	16.7	11000	42400	10.4	7100	8.3	14100	57300	
C 90 3_146.3	146.3	19.1	7200	15.5	11000	43800	9.6	7200	7.8	14200	59000	
C 90 3_157.8	157.8	17.7	7100	14.2	11000	45600	8.9	7100	7.1	14100	60000	
C 90 3_172.1	172.1	16.3	7200	13.2	11000	47100	8.1	7200	6.6	14200	60000	
C 90 4_212.4	212.4	13.2	7200	10.9	—	60000	6.6	7200	5.5	1180	60000	
C 90 4_231.7	231.7	12.1	7200	10.0	—	60000	6.0	7200	5.0	1560	60000	
C 90 4_268.5	268.5	10.4	7200	8.6	—	60000	5.2	7200	4.3	1540	60000	
C 90 4_292.9	292.9	9.6	7200	7.9	—	60000	4.8	7200	4.0	1880	60000	
C 90 4_339.0	339.0	8.3	7200	6.8	—	60000	4.1	7200	3.4	1720	60000	
C 90 4_369.8	369.8	7.6	7200	6.3	—	60000	3.8	7200	3.1	2050	60000	
C 90 4_419.0	419.0	6.7	7200	5.5	—	60000	3.3	7200	2.8	1890	60000	
C 90 4_457.1	457.1	6.1	7200	5.1	—	60000	3.1	7200	2.5	2210	60000	
C 90 4_534.2	534.2	5.2	7200	4.3	—	60000	2.6	7200	2.2	2090	60000	
C 90 4_582.8	582.8	4.8	7200	4.0	—	60000	2.4	7200	2.0	2270	60000	
C 90 4_652.8	652.8	4.3	7200	3.6	—	60000	2.1	7200	1.8	2160	60000	
C 90 4_712.2	712.2	3.9	7200	3.3	—	60000	2.0	7200	1.6	2290	60000	
C 90 4_773.6	773.6	3.3	7200	3.0	—	60000	1.8	7200	1.5	2250	60000	
C 90 4_844.0	844.0	3.0	7200	2.7	—	60000	1.7	7200	1.4	2310	60000	
C 90 4_922.3	922.3	2.8	7200	2.5	—	60000	1.5	7200	1.3	2260	60000	
C 90 4_1006	1006	2.5	7200	2.3	—	60000	1.4	7200	1.2	2320	60000	
C 90 4_1137	1137	2.3	7200	2.0	—	60000	1.2	7200	1.0	2270	60000	
C 90 4_1240	1240	2.2	7200	1.9	—	60000	1.1	7200	0.90	2230	60000	

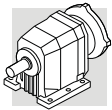
140

(-) Interpellare il ns. servizio tecnico comunicando i dati relativi al carico radiale (senso di rotazione, orientamento, posizione)
 (-) Contact our technical service department advising radial load data (rotation direction, load angle, offset)
 (-) Nehmen Sie bitte Kontakt mit unserem Applikationsdienst und Querkraftsdaten angeben (Drehrichtung, Orientierung, Anordnung)
 (-) Consulter notre service technique en donnant les détails concernant la charge radiale (sens de rotation, indexage, position)



7200 Nm C 90

	i	$n_1 = 900 \text{ min}^{-1}$					$n_1 = 500 \text{ min}^{-1}$					
		n_2 min ⁻¹	M_{n2} Nm	P_{n1} kW	R_{n1} N	R_{n2} N	n_2 min ⁻¹	M_{n2} Nm	P_{n1} kW	R_{n1} N	R_{n2} N	
C 90 2_5.2	5.2	174	4900	94	2560	18200	97	5850	62	3010	21600	
C 90 2_5.6	5.6	161	5050	89	4640	18100	89	6000	59	5720	21800	
C 90 2_6.8	6.8	133	5450	80	2310	18500	74	6200	51	5130	24600	
C 90 2_7.3	7.3	123	5550	75	4890	18900	68	6550	49	6340	23200	
C 90 2_8.3	8.3	108	5850	70	2700	19300	60	6200	41	8870	27800	
C 90 2_9.0	9.0	100	5950	65	5300	19800	55	6600	40	9660	27600	
C 90 2_10.4	10.4	87	6200	59	2250	21000	48	6200	33	11000	31000	
C 90 2_11.2	11.2	80	6450	57	3960	20400	45	6600	32	11700	30800	
C 90 2_12.8	12.8	70	6250	48	4500	25300	39	6250	27	13200	34100	
C 90 2_13.9	13.9	65	6550	47	5830	24400	36	6550	26	14600	34300	
C 90 2_16.0	16.0	56	6200	38	6570	28700	31	6200	21	15000	38000	
C 90 2_17.3	17.3	52	6550	38	7530	28600	28.9	6550	21	15000	38100	
C 90 2_18.7	18.7	48	6200	33	7120	31000	26.7	6200	18.3	15000	40700	
C 90 2_20.2	20.2	44	6600	32	7780	30800	24.8	6600	18.0	15000	40700	
C 90 2_22.9	22.9	39	6200	27	8310	34200	21.8	6200	14.9	15000	44500	
C 90 2_24.8	24.8	36	6600	26	8950	34100	20.2	6600	14.6	15000	44600	
C 90 2_27.2	27.2	33	5500	20	13400	39200	18.4	5500	11.2	15000	50000	
C 90 2_29.4	29.4	31	5900	19.9	13700	39100	17.0	5900	11.0	15000	50200	
C 90 2_35.1	35.1	25.6	5400	15.3	14100	43800	14.2	5400	8.5	15000	55500	
C 90 3_39.4	39.4	22.8	7100	18.3	15000	40600	12.7	7100	10.1	15000	40600	
C 90 3_43.0	43.0	20.9	7200	17.0	15000	42000	11.6	7200	9.4	15000	42000	
C 90 3_50.3	50.3	17.9	7100	14.3	15000	45400	9.9	7100	7.9	15000	45400	
C 90 3_54.9	54.9	16.4	7200	13.3	15000	46900	9.1	7200	7.4	15000	46900	
C 90 3_59.2	59.2	15.2	7100	12.2	15000	48800	8.4	7100	6.8	15000	48800	
C 90 3_64.6	64.6	13.9	7200	11.3	15000	50400	7.7	7200	6.3	15000	50400	
C 90 3_74.4	74.4	12.1	7100	9.7	15000	53800	6.7	7100	5.4	15000	53800	
C 90 3_81.2	81.2	11.1	7200	9.0	15000	55500	6.2	7200	5.0	15000	55500	
C 90 3_88.2	88.2	10.2	7100	8.2	15000	57800	5.7	7100	4.5	15000	57800	
C 90 3_96.2	96.2	9.4	7200	7.6	15000	59600	5.2	7200	4.2	15000	59600	
C 90 3_107.0	107.0	8.4	7100	6.7	15000	60000	4.7	7100	3.7	15000	60000	
C 90 3_116.7	116.7	7.7	7200	6.3	15000	60000	4.3	7200	3.5	15000	60000	
C 90 3_134.1	134.1	6.7	7100	5.4	15000	60000	3.7	7100	3.0	15000	60000	
C 90 3_146.3	146.3	6.2	7200	5.0	15000	60000	3.4	7200	2.8	15000	60000	
C 90 3_157.8	157.8	5.7	7100	4.6	15000	60000	3.2	7100	2.5	15000	60000	
C 90 3_172.1	172.1	5.2	7200	4.2	15000	60000	2.9	7200	2.4	15000	60000	
C 90 4_212.4	212.4	4.2	7200	3.5	2090	60000	2.4	7200	2.0	3210	60000	
C 90 4_231.7	231.7	3.9	7200	3.2	2460	60000	2.2	7200	1.8	3290	60000	
C 90 4_268.5	268.5	3.4	7200	2.8	2440	60000	1.9	7200	1.5	3300	60000	
C 90 4_292.9	292.9	3.1	7200	2.5	2620	60000	1.7	7200	1.4	3370	60000	
C 90 4_339.0	339.0	2.7	7200	2.2	2590	60000	1.5	7200	1.2	3340	60000	
C 90 4_369.8	369.8	2.4	7200	2.0	2660	60000	1.4	7200	1.1	3420	60000	
C 90 4_419.0	419.0	2.1	7200	1.8	2630	60000	1.2	7200	1.0	3390	60000	
C 90 4_457.1	457.1	2.0	7200	1.6	2700	60000	1.1	7200	0.90	3460	60000	
C 90 4_534.2	534.2	1.7	7200	1.4	2680	60000	0.90	7200	0.80	3380	60000	
C 90 4_582.8	582.8	1.5	7200	1.3	2750	60000	0.90	7200	0.70	3500	60000	
C 90 4_652.8	652.8	1.4	7200	1.1	2700	60000	0.80	7200	0.60	3450	60000	
C 90 4_712.2	712.2	1.3	7200	1.0	2760	60000	0.70	7200	0.60	3500	60000	
C 90 4_773.6	773.6	1.2	7200	1.0	2720	60000	0.60	7200	0.50	3480	60000	
C 90 4_844.0	844.0	1.1	7200	0.90	2790	60000	0.60	7200	0.50	3500	60000	
C 90 4_922.3	922.3	1.0	7200	0.80	2730	60000	0.50	7200	0.40	3490	60000	
C 90 4_1006	1006	0.90	7200	0.70	2800	60000	0.50	7200	0.40	3500	60000	
C 90 4_1137	1137	0.80	7200	0.70	2740	60000	0.40	7200	0.40	3500	60000	
C 90 4_1240	1240	0.70	7200	0.60	2800	60000	0.40	7200	0.30	3500	60000	

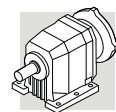


C 100


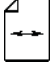
12000 Nm

	i	n ₁ = 2800 min ⁻¹					n ₁ = 1400 min ⁻¹					
		n ₂ min ⁻¹	M _{n2} Nm	P _{n1} kW	R _{n1} N	R _{n2} N	n ₂ min ⁻¹	M _{n2} Nm	P _{n1} kW	R _{n1} N	R _{n2} N	
C 100 2_4.9	4.9	569	5500	345	1900	20600	285	6800	213	3790	25300	143
C 100 2_5.3	5.3	525	5650	327	2790	21000	263	6950	201	4940	25800	
C 100 2_6.5	6.5	429	6150	291	1920	21800	215	7550	179	3950	27000	
C 100 2_7.1	7.1	396	6200	271	3100	22700	198	7650	167	5270	27900	
C 100 2_8.4	8.4	335	6700	248	1870	22800	168	8200	152	3970	28500	
C 100 2_9.0	9.0	309	6800	232	2950	23500	155	8350	142	5190	29200	
C 100 2_10.1	10.1	278	7100	217	1930	24100	139	8750	134	3900	29500	
C 100 2_10.9	10.9	256	7100	200	3240	25700	128	8750	124	5460	31600	
C 100 2_12.5	12.5	225	7650	190	1360	24900	112	9400	117	3260	30800	
C 100 2_13.5	13.5	208	7700	176	2600	26300	104	9500	109	4680	32100	
C 100 2_15.2	15.2	184	8100	164	1270	26600	92	10000	101	2680	32500	
C 100 2_16.5	16.5	170	8250	154	2320	27200	85	10150	95	4420	33600	
C 100 2_18.7	18.7	150	8200	136	1500	30800	75	10000	83	3600	38000	
C 100 2_20.2	20.2	138	8100	124	3047	32200	69	10000	76	5210	39600	
C 100 2_22.2	22.2	126	7500	104	3570	35800	63	9200	64	5960	44100	
C 100 2_24.1	24.1	116	8100	104	3620	35200	58	10000	64	5900	43300	
C 100 2_29.6	29.6	95	6900	72	6380	42400	47	8500	44	9220	52200	
C 100 3_34.3	34.3	82	10350	95	9790	33300	41	11700	54	13000	46400	
C 100 3_36.9	36.9	76	10650	91	10200	34500	38	11800	50	13100	48000	
C 100 3_42.9	42.9	65	11350	83	9640	33200	33	12000	44	13100	51200	
C 100 3_46.2	46.2	61	11700	80	10100	33100	30	12000	41	13300	53100	
C 100 3_53.3	53.3	53	12000	71	9450	36400	26.3	12000	36	13200	56900	
C 100 3_57.4	57.4	49	12000	66	10200	39500	24.4	12000	33	13400	59000	
C 100 3_64.5	64.5	43	12000	59	9950	44100	21.7	12000	29	13400	62300	
C 100 3_69.4	69.4	40	12000	54	10400	45900	20.2	12000	27	13500	64500	
C 100 3_79.4	79.4	35	12000	48	10300	49200	17.6	12000	24	13500	68600	
C 100 3_85.6	85.6	33	12000	44	10400	51100	16.4	12000	22	13600	70900	
C 100 3_92.7	92.7	30	12000	41	10400	53200	15.1	12000	20	13500	73500	
C 100 3_99.8	99.8	28.1	12000	38	10500	55200	14.0	12000	19.0	13600	75900	
C 100 3_111.9	111.9	25.0	12000	34	10400	58300	12.5	12000	16.9	13500	79800	
C 100 3_120.5	120.5	23.2	12000	31	10500	60400	11.6	12000	15.7	13700	82400	
C 100 3_139.7	139.7	20.0	11050	25	10600	67400	10.0	11050	12.5	13700	85000	
C 100 3_150.4	150.4	18.6	12000	25	10600	66900	9.3	12000	12.6	13700	85000	
C 100 4_162.1	162.1	17.3	12000	24	—	85000	8.6	12000	11.9	—	85000	
C 100 4_185.4	185.4	15.1	12000	21	—	85000	7.6	12000	10.4	—	85000	
C 100 4_199.6	199.6	14.0	12000	19.4	—	85000	7.0	12000	9.7	—	85000	
C 100 4_244.2	244.2	11.5	12000	15.8	—	85000	5.7	12000	7.9	—	85000	
C 100 4_263.0	263.0	10.6	12000	14.7	—	85000	5.3	12000	7.4	—	85000	
C 100 4_300.5	300.5	9.3	12000	12.9	—	85000	4.7	12000	6.4	—	85000	
C 100 4_323.6	323.6	8.7	12000	11.9	—	85000	4.3	12000	6.0	—	85000	
C 100 4_380.5	380.5	7.4	12000	10.2	—	85000	3.7	12000	5.1	—	85000	
C 100 4_409.8	409.8	6.8	12000	9.4	—	85000	3.4	12000	4.7	—	85000	
C 100 4_466.7	466.7	6.0	12000	8.3	—	85000	3.0	12000	4.1	—	85000	
C 100 4_502.6	502.6	5.6	12000	7.7	—	85000	2.8	12000	3.8	—	85000	
C 100 4_582.6	582.6	4.8	12000	6.6	—	85000	2.4	12000	3.3	—	85000	
C 100 4_627.4	627.4	4.5	12000	6.2	—	85000	2.2	12000	3.1	—	85000	
C 100 4_720.3	720.3	3.9	12000	5.4	—	85000	1.9	12000	2.7	—	85000	
C 100 4_775.7	775.7	3.6	12000	5.0	—	85000	1.8	12000	2.5	—	85000	
C 100 4_843.3	843.3	3.3	12000	4.6	—	85000	1.7	12000	2.3	—	85000	
C 100 4_908.2	908.2	3.1	12000	4.3	—	85000	1.5	12000	2.1	830	85000	
C 100 4_1004	1004	2.8	12000	3.9	—	85000	1.4	12000	1.9	—	85000	
C 100 4_1081	1081	2.6	12000	3.6	—	85000	1.3	12000	1.8	870	85000	

(-) Interpellare il ns. servizio tecnico comunicando i dati relativi al carico radiale (senso di rotazione, orientamento, posizione)
 (-) Contact our technical service department advising radial load data (rotation direction, load angle, offset)
 (-) Nehmen Sie bitte Kontakt mit unserem Applikationsdienst und Querkräftenangaben (Drehrichtung, Orientierung, Anordnung)
 (-) Consulter notre service technique en donnant les détails concernant la charge radiale (sens de rotation, indexage, position)

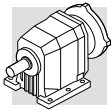


12000 Nm C 100

	i	n ₁ = 900 min ⁻¹					n ₁ = 500 min ⁻¹					
		n ₂ min ⁻¹	M _{n2} Nm	P _{n1} kW	R _{n1} N	R _{n2} N	n ₂ min ⁻¹	M _{n2} Nm	P _{n1} kW	R _{n1} N	R _{n2} N	
C 100 2_4.9	4.9	183	7800	157	5310	28800	102	9300	104	6720	34400	
C 100 2_5.3	5.3	169	7950	148	6680	29500	94	9450	98	9740	35200	
C 100 2_6.5	6.5	138	8600	131	5670	31000	77	10250	87	7540	37000	
C 100 2_7.1	7.1	127	8750	123	7050	31800	71	10450	81	10100	37800	
C 100 2_8.4	8.4	108	9350	111	5670	32600	60	10950	72	8530	40100	
C 100 2_9.0	9.0	99	9500	104	7080	33600	55	11350	69	10100	39900	
C 100 2_10.1	10.1	89	10000	98	5540	33600	50	10900	60	10600	44500	
C 100 2_10.9	10.9	82	10150	92	6980	34700	46	11500	58	11300	44300	
C 100 2_12.5	12.5	72	10700	85	3910	35400	40	10850	48	11700	49600	
C 100 2_13.5	13.5	67	10850	80	6440	36700	37	11450	47	12300	49500	
C 100 2_15.2	15.2	59	10800	70	5940	40800	33	10800	39	13000	54700	
C 100 2_16.5	16.5	55	11500	69	6320	39100	30	11500	38	13400	54500	
C 100 2_18.7	18.7	48	10900	58	6310	45100	26.8	10900	32	13400	59800	
C 100 2_20.2	20.2	45	11500	56	6890	45000	24.7	11500	31	14000	60100	
C 100 2_22.2	22.2	40	9850	44	9170	52200	22.5	9850	24	15000	67800	
C 100 2_24.1	24.1	37	10800	44	8930	51200	20.7	10800	25	15000	67200	
C 100 2_29.6	29.6	30	9100	31	12600	61400	16.9	9100	17.0	15000	78300	
C 100 3_34.3	34.3	26.2	11700	35	15000	57800	14.6	11700	19.2	15000	75500	
C 100 3_36.9	36.9	24.4	11800	32	15000	59600	13.5	11800	18.0	15000	77700	
C 100 3_42.9	42.9	21.0	12000	28	15000	63400	11.6	12000	15.7	15000	82300	
C 100 3_46.2	46.2	19.5	12000	26	15000	65600	10.8	12000	14.6	15000	84900	
C 100 3_53.3	53.3	16.9	12000	23	15000	69900	9.4	12000	12.7	15000	85000	
C 100 3_57.4	57.4	15.7	12000	21	15000	72300	8.7	12000	11.8	15000	85000	
C 100 3_64.5	64.5	14.0	12000	18.6	15000	76100	7.8	12000	10.5	15000	85000	
C 100 3_69.4	69.4	13.0	12000	17.5	15000	78600	7.2	12000	9.7	15000	85000	
C 100 3_79.4	79.4	11.3	12000	15.3	15000	83300	6.3	12000	8.5	15000	85000	
C 100 3_85.6	85.6	10.5	12000	14.2	15000	85000	5.8	12000	7.9	15000	85000	
C 100 3_92.7	92.7	9.7	12000	13.1	15000	85000	5.4	12000	7.3	15000	85000	
C 100 3_99.8	99.8	9.0	12000	12.2	15000	85000	5.0	12000	6.8	15000	85000	
C 100 3_111.9	111.9	8.0	12000	10.9	15000	85000	4.5	12000	6.0	15000	85000	
C 100 3_120.5	120.5	7.5	12000	10.1	15000	85000	4.1	12000	5.6	15000	85000	
C 100 3_139.7	139.7	6.4	11500	8.0	15000	85000	3.6	11050	4.5	15000	85000	
C 100 3_150.4	150.4	6.0	12000	8.1	15000	85000	3.3	12000	4.5	15000	85000	
C 100 4_162.1	162.1	5.6	12000	7.7	—	85000	3.1	12000	4.3	—	85000	
C 100 4_185.4	185.4	4.9	12000	6.7	—	85000	2.7	12000	3.7	920	85000	
C 100 4_199.6	199.6	4.5	12000	6.2	—	85000	2.5	12000	3.5	1430	85000	
C 100 4_244.2	244.2	3.7	12000	5.1	—	85000	2.0	12000	2.8	1490	85000	
C 100 4_263.0	263.0	3.4	12000	4.7	—	85000	1.9	12000	2.6	1950	85000	
C 100 4_300.5	300.5	3.0	12000	4.1	—	85000	1.7	12000	2.3	1840	85000	
C 100 4_323.6	323.6	2.8	12000	3.8	850	85000	1.5	12000	2.1	2280	85000	
C 100 4_380.5	380.5	2.4	12000	3.3	700	85000	1.3	12000	1.8	2130	85000	
C 100 4_409.8	409.8	2.2	12000	3.0	1120	85000	1.2	12000	1.7	2550	85000	
C 100 4_466.7	466.7	1.9	12000	2.7	910	85000	1.1	12000	1.5	2340	85000	
C 100 4_502.6	502.6	1.8	12000	2.5	1320	85000	1.0	12000	1.4	2740	85000	
C 100 4_582.6	582.6	1.5	12000	2.1	1100	85000	0.90	12000	1.2	2520	85000	
C 100 4_627.4	627.4	1.4	12000	2.0	1490	85000	0.80	12000	1.1	2910	85000	
C 100 4_720.3	720.3	1.2	12000	1.7	1270	85000	0.70	12000	1.0	2700	85000	
C 100 4_775.7	775.7	1.2	12000	1.6	1650	85000	0.60	12000	0.90	3070	85000	
C 100 4_843.3	843.3	1.1	12000	1.5	1360	85000	0.60	12000	0.80	2790	85000	
C 100 4_908.2	908.2	1.0	12000	1.4	1730	85000	0.60	12000	0.80	3160	85000	
C 100 4_1004	1004	0.90	12000	1.2	1400	85000	0.50	12000	0.70	2830	85000	
C 100 4_1081	1081	0.90	12000	1.1	1770	85000	0.50	12000	0.60	3170	85000	

143

(-) Interpellare il ns. servizio tecnico comunicando i dati relativi al carico radiale (senso di rotazione, orientamento, posizione)
 (-) Contact our technical service department advising radial load data (rotation direction, load angle, offset)
 (-) Nehmen Sie bitte Kontakt mit unserem Applikationsdienst und Querkräftsdaten angeben (Drehrichtung, Orientierung, Anordnung)
 (-) Consulter notre service technique en donnant les détails concernant la charge radiale (sens de rotation, indexage, position)



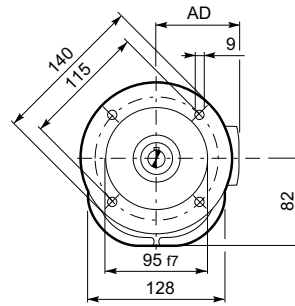
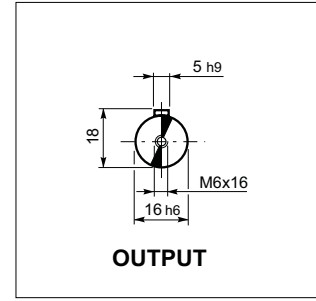
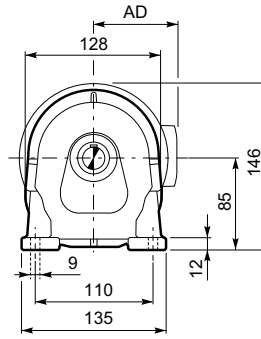
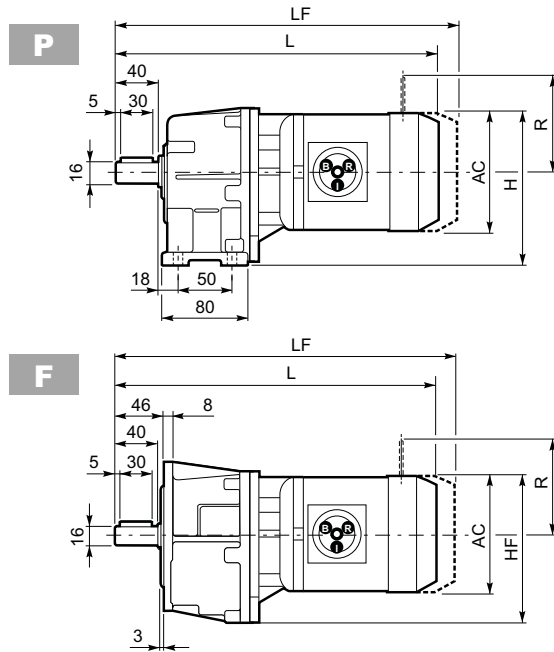
C 05...M

28 - DIMENSIONI

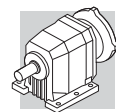
28 - DIMENSIONS

28 - ABMESSUNGEN

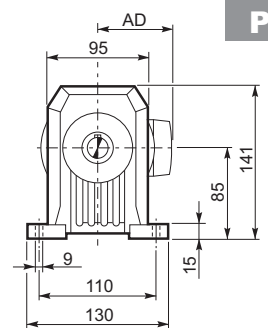
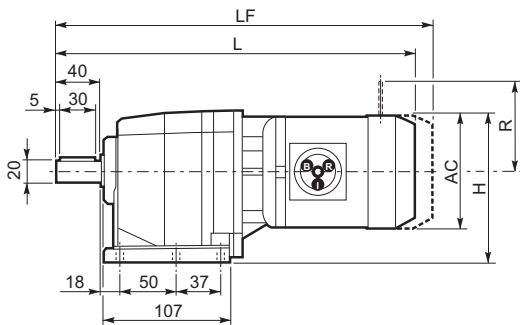
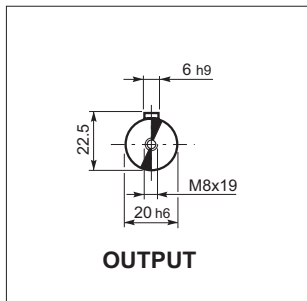
28 - DIMENSIONS



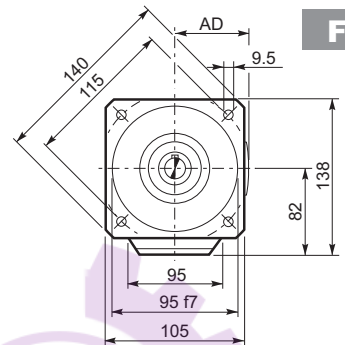
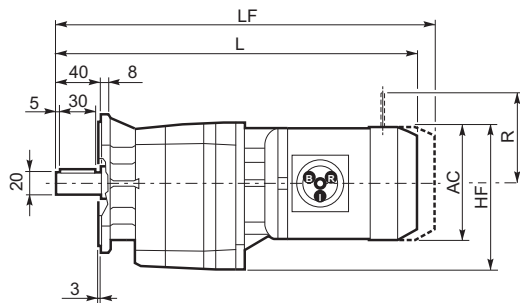
C 05														
S	M	AC	H	HF	L	AD	Kg	M...FD	Kg	M...FD		M...FA		
								M...FA		R	AD	R	AD	
C 05 2	S0	M0	110	140	137	287	91	7	—	—	—	—	—	—
C 05 2	S05	M05	121	145.5	142.5	332	95	8	398	10	96	119	116	95
C 05 2	S1	M1S	138	154	151	337	108	9	400	12	103	132	124	108
C 05 2	S1	M1L	138	154	151	360.5	108	11	423	13	103	132	124	108



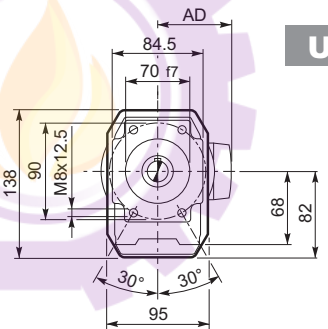
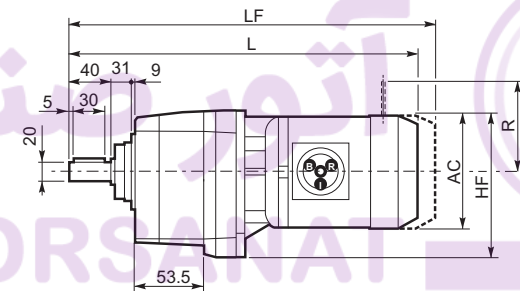
C 11...M



P

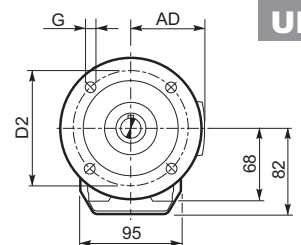
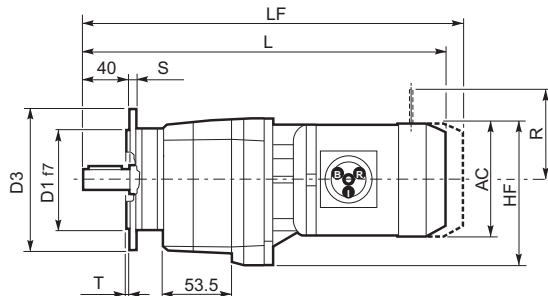


F



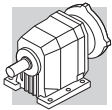
U

C 11 2 U						
	D1	D2	D3	G	T	S
FA	80	100	120	7	3	8
FB	95	115	140	9	3	10
FC	110	130	160	9	3	10

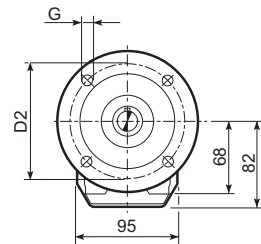
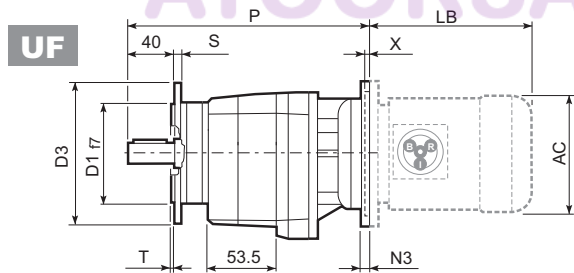
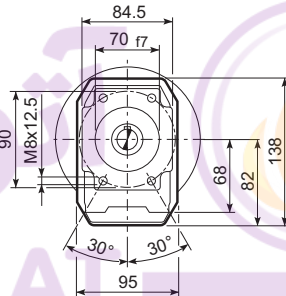
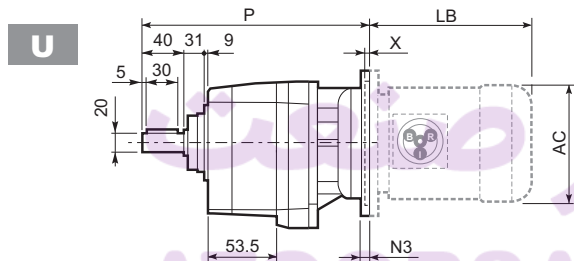
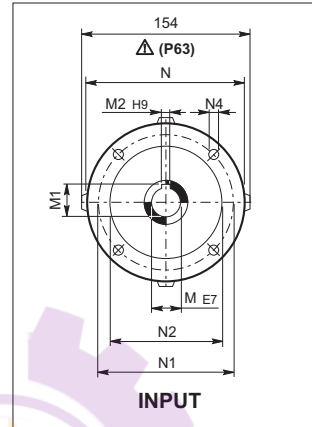
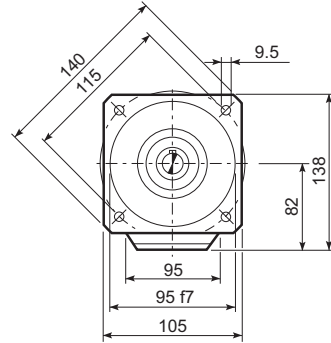
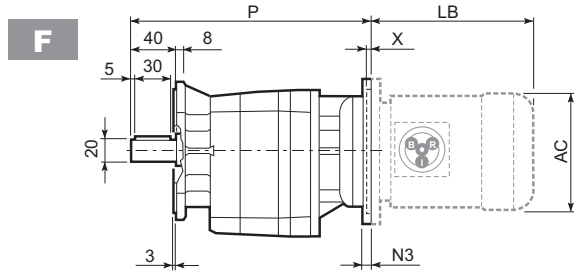
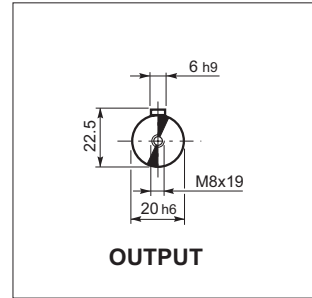
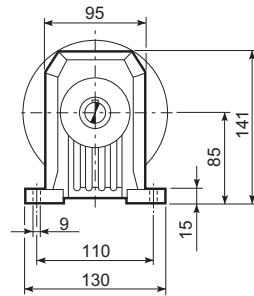
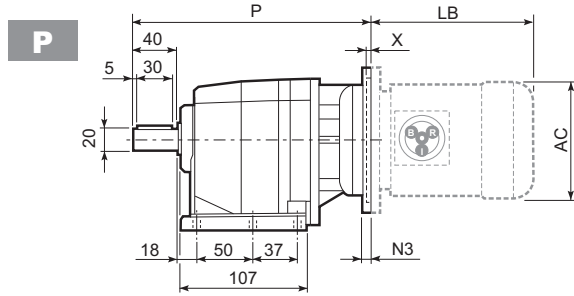


UF

C 11															
Motor Type	S	M	Motor Dimensions							M...FD / M...FA		M...FD		M...FA	
			AC	H	HF	L	AD	kg	LF	kg	R	AD	R	AD	
C 11 2	S05	M05	121	145.5	142.5	370.5	95	9	436.5	10	96	119	116	95	
C 11 2	S1	M1S	138	154	151	375.5	108	10	438.5	12	103	132	124	108	
C 11 2	S1	M1L	138	154	151	404.5	108	11	460.5	13	103	132	124	108	
C 11 2	S2	M2S	156	163	160	422.5	119	15	498.5	18	129	143	134	119	
C 11 2	S3	M3S	195	182.5	179.5	471.5	142	20	567.5	25	160	155	160	142	
C 11 2	S3	M3L	195	182.5	179.5	503.5	142	22	594.5	27	160	155	160	142	

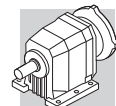


C 11...P(IEC)

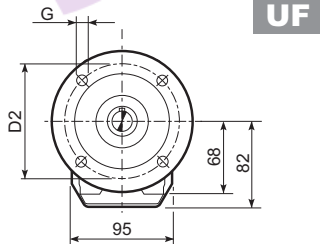
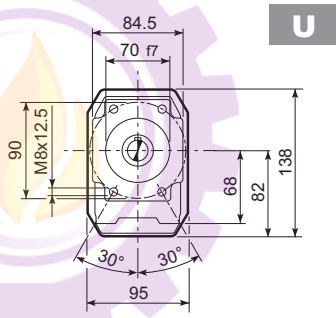
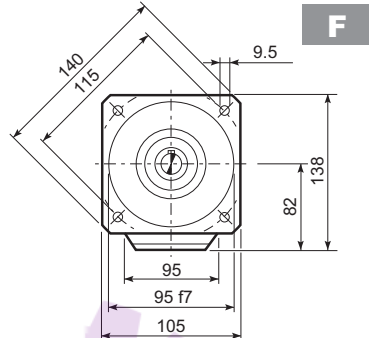
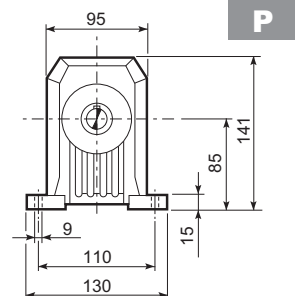
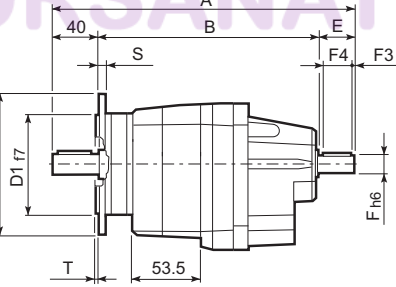
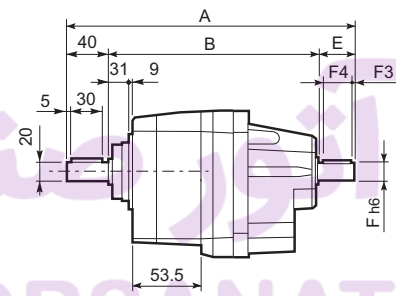
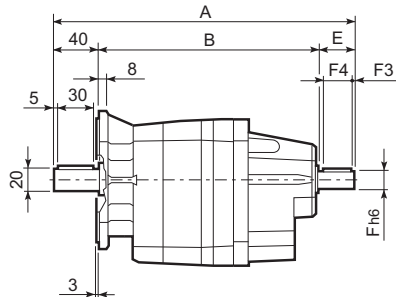
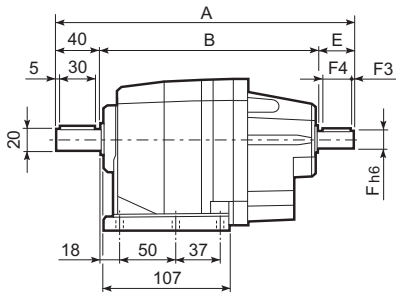
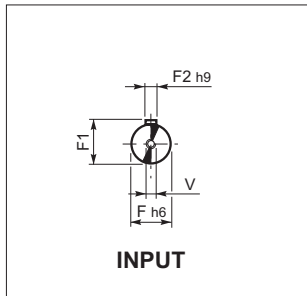
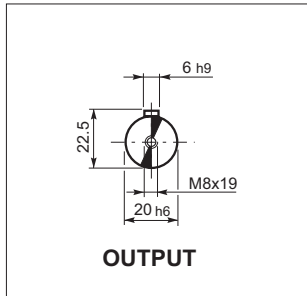


C 11 2 U						
	D1	D2	D3	G	T	S
FA	80	100	120	7	3	8
FB	95	115	140	9	3	10
FC	110	130	160	9	3	10

C 11													BN...		BN...FD BN...FA		
		M	M1	M2	N	N1	N2	N3	N4	X	P	kg		LB	AC	LB	AC
C 11 2	P63	11	12.8	4	140	115	95	—	M8x19	4	244.5	6	BN 63	184	121	249	121
C 11 2	P71	14	16.3	5	160	130	110	—	M8x16	4.5	244.5	6	BN 71	219	138	280	138
C 11 2	P80	19	21.8	6	200	165	130	—	M10x12	4	264	7	BN 80	234	156	306	156
C 11 2	P90	24	27.3	8	200	165	130	—	M10x12	4	264	7	BN 90	276	176	359	176
C 11 2	P100	28	31.3	8	250	215	180	—	M12x16	4.5	274	11	BN 100	307	195	398	195
C 11 2	P112	28	31.3	8	250	215	180	—	M12x16	4.5	274	11	BN 112	325	219	424	219

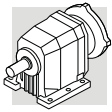


C 11...HS

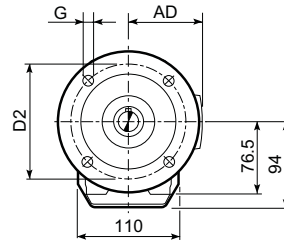
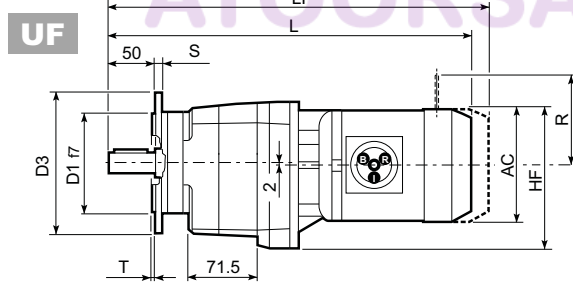
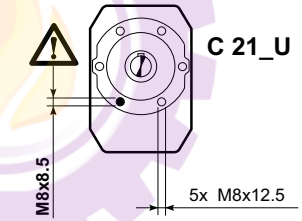
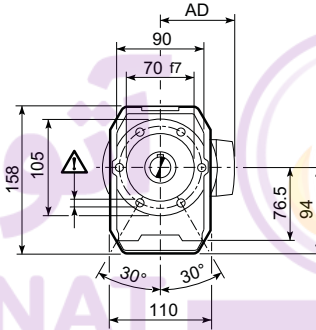
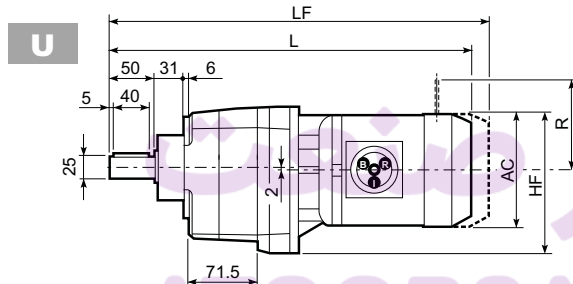
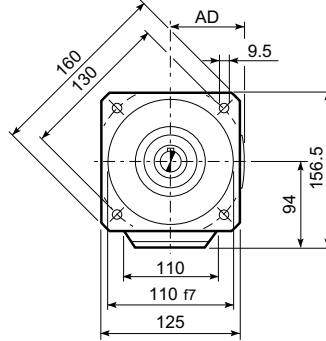
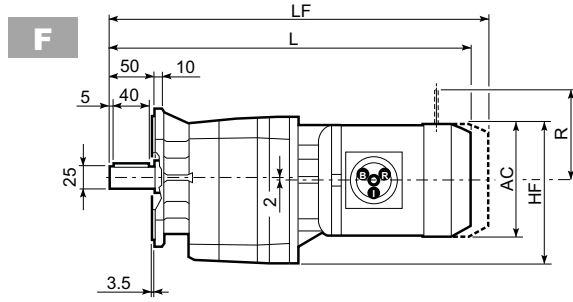
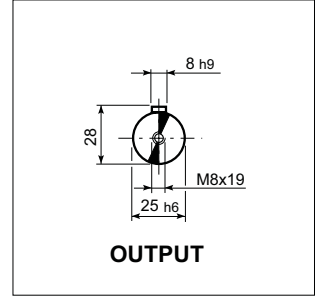
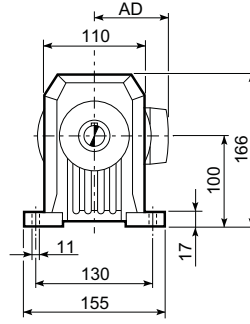
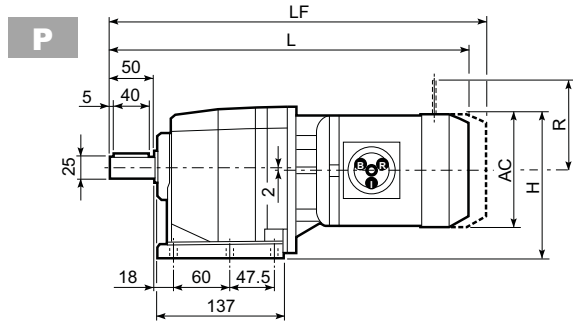


C 11 2 U						
	D1	D2	D3	G	T	S
FA	80	100	120	7	3	8
FB	95	115	140	9	3	10
FC	110	130	160	9	3	10

C 11											
		A	B	E	F	F1	F2	F3	F4	V	Kg
C 11 2	HS	251.5	171.5	40	16	18	5	2.5	35	M6x16	7.8

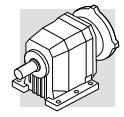


C 21...M

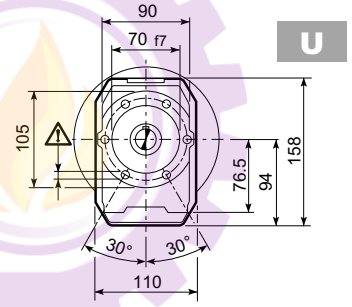
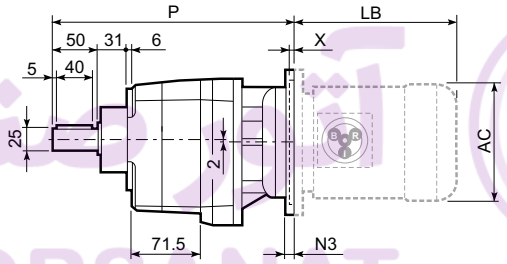
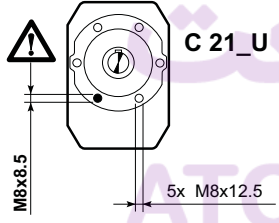
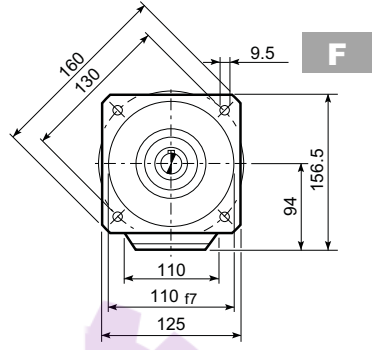
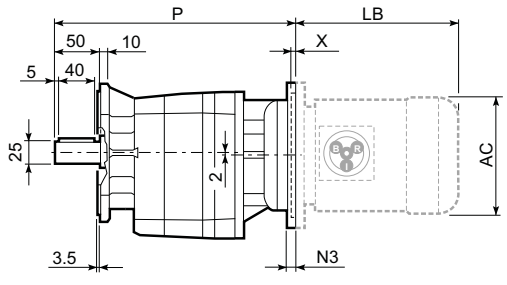
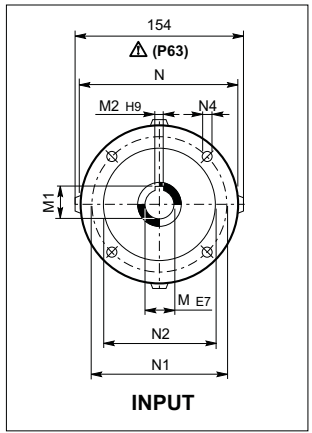
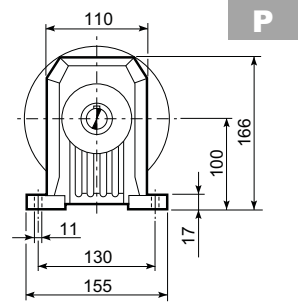
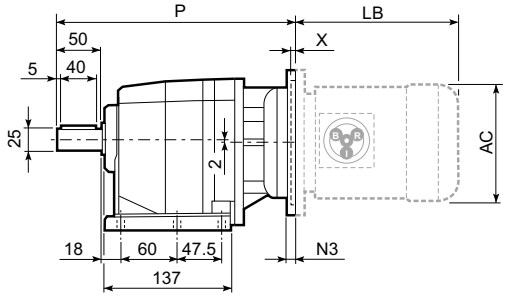
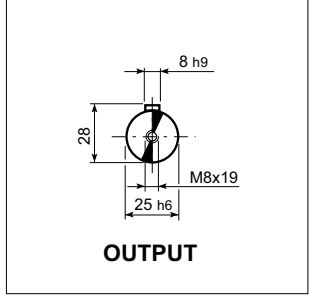


C 21_U						
	D1	D2	D3	G	T	S
FA	95	115	140	9	3	10
FB	110	130	160	9	3	10
FC	130	165	200	11	3.5	11

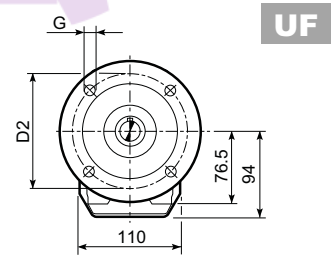
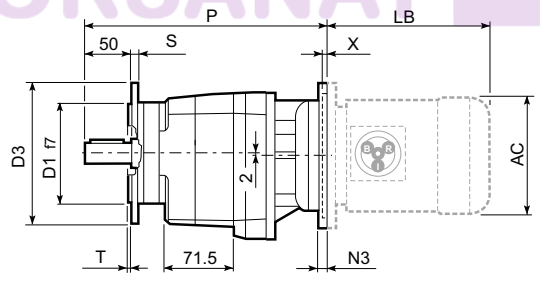
C 21														
			M...FD								M...FD		M...FA	
			AC	H	HF	L	AD		LF		R	AD	R	AD
C 21 2	S1	M1S	138	169	163	404	108	10	467	13	103	132	124	108
C 21 2	S1	M1L	138	169	163	428	108	11	489	14	103	132	124	108
C 21 2	S2	M2S	156	178	170	456	119	16	527	19	129	143	134	119
C 21 2	S3	M3S	195	197.5	191.5	500	142	21	596	26	160	155	160	142
C 21 2	S3	M3L	195	197.5	191.5	532	142	27	623	32	160	155	160	142
C 21 3	S05	M05	121	160.5	154.5	454.5	95	11	520.5	12	96	119	116	95
C 21 3	S1	M1S	138	169	163	459.5	108	12	522.5	14	103	132	124	108
C 21 3	S1	M1L	138	169	163	483.5	108	13	544.5	15	103	132	124	108



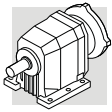
C 21...P(IEC)



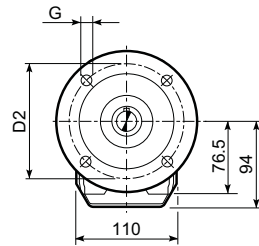
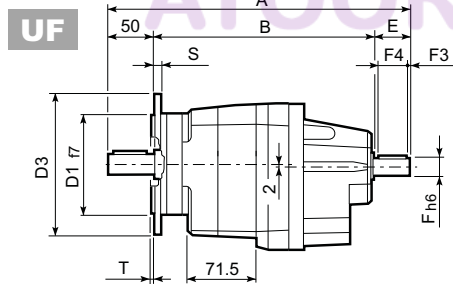
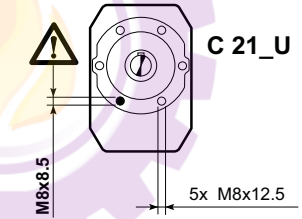
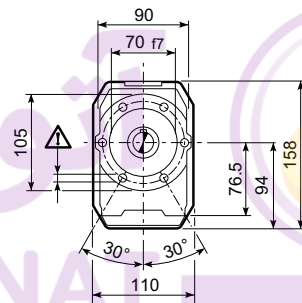
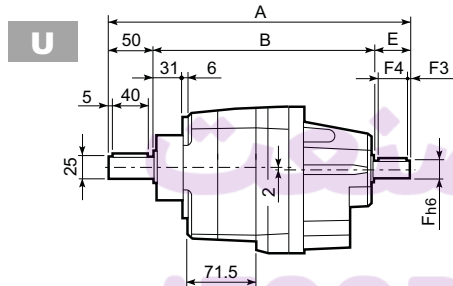
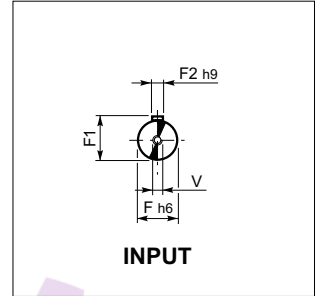
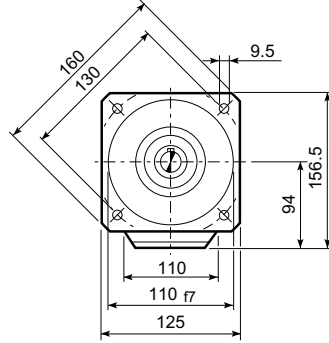
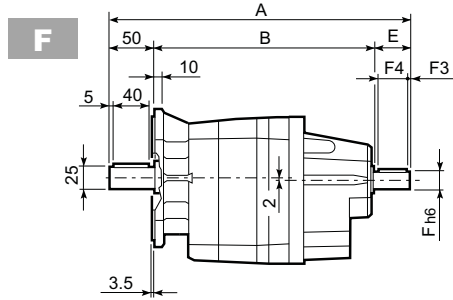
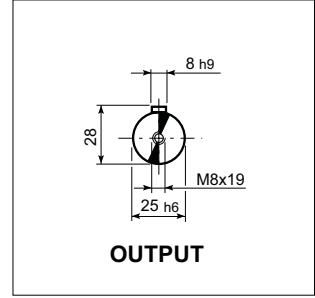
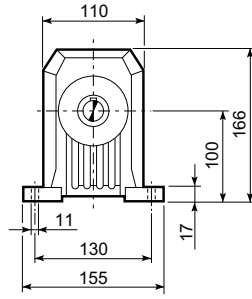
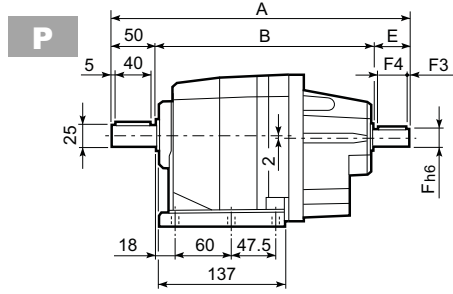
C 21_U						
	D1	D2	D3	G	T	S
FA	95	115	140	9	3	10
FB	110	130	160	9	3	10
FC	130	165	200	11	3.5	11



C 21													BN...		BN...FD BN...FA			
		M	M1	M2	N	N1	N2	N3	N4	X	P			LB	AC	LB	AC	
C 21 2	P63	11	12.8	4	140	115	95	—	M8x19	4	273	7		BN 63	184	121	249	121
C 21 2	P71	14	16.3	5	160	130	110	—	M8x16	4.5	273	7		BN 71	219	138	280	138
C 21 2	P80	19	21.8	6	200	165	130	—	M10x12	4	292.5	8		BN 80	234	156	306	156
C 21 2	P90	24	27.3	8	200	165	130	—	M10x12	4	292.5	8		BN 90	276	176	359	176
C 21 2	P100	28	31.3	8	250	215	180	—	M12x16	4.5	302.5	12		BN 100	307	195	398	195
C 21 2	P112	28	31.3	8	250	215	180	—	M12x16	4.5	302.5	12		BN 112	325	219	424	219
C 21 3	P63	11	12.8	4	140	115	95	—	M8x19	4	328.5	8		BN 63	184	121	249	121
C 21 3	P71	14	16.3	5	160	130	110	—	M8x16	4.5	328.5	8		BN 71	219	138	280	138
C 21 3	P80	19	21.8	6	200	165	130	—	M10x12	4	348	9		BN 80	234	156	306	156
C 21 3	P90	24	27.3	8	200	165	130	—	M10x12	4	348	9		BN 90	276	176	359	176
C 21 3	P100	28	31.3	8	250	215	180	—	M12x16	4.5	358	13		BN 100	307	195	398	195
C 21 3	P112	28	31.3	8	250	215	180	—	M12x16	4.5	358	13		BN 112	325	219	424	219

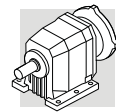


C 21...HS

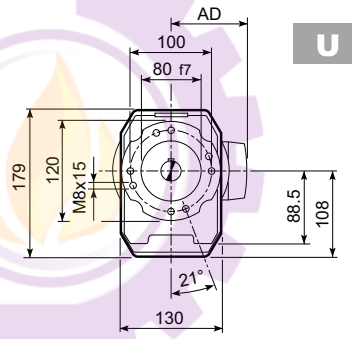
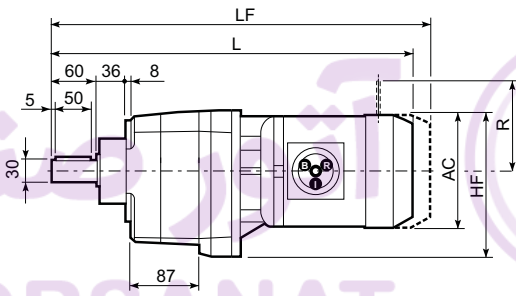
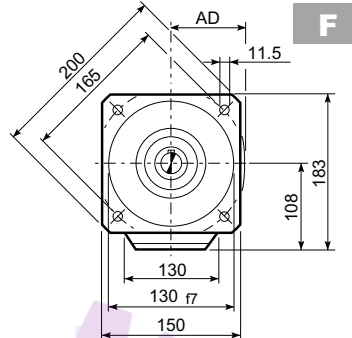
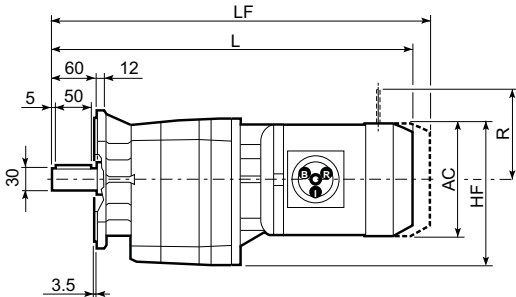
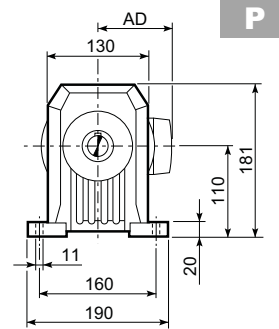
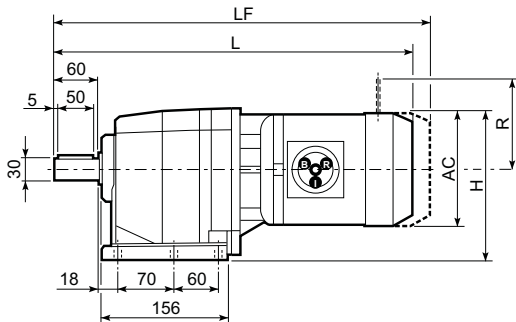
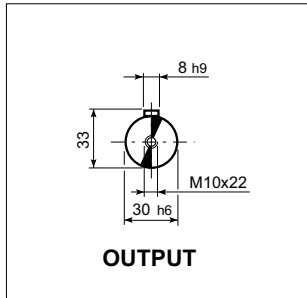


C 21_U						
	D1	D2	D3	G	T	S
FA	95	115	140	9	3	10
FB	110	130	160	9	3	10
FC	130	165	200	11	3.5	11

C 21											
		A	B	E	F	F1	F2	F3	F4	V	Kg
C 21 2	HS	323	233	40	19	21.5	6	2.5	35	M6x16	7.2
C 21 3		335.5	245.5	40	16	18	6	2.5	36	M6x16	7.5

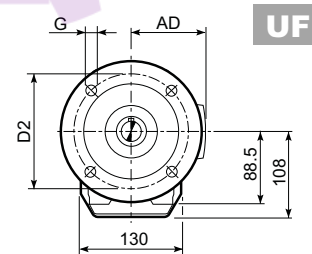
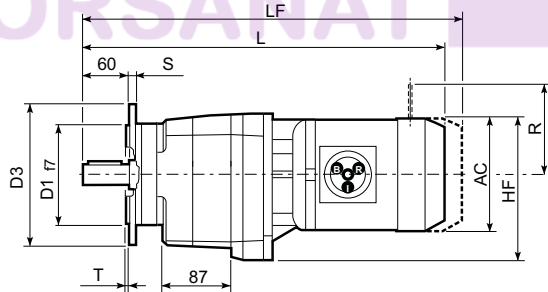


C 31...M

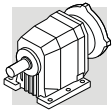


C 31_U

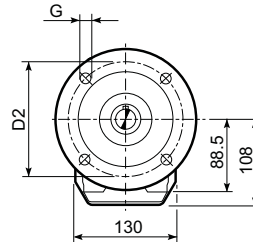
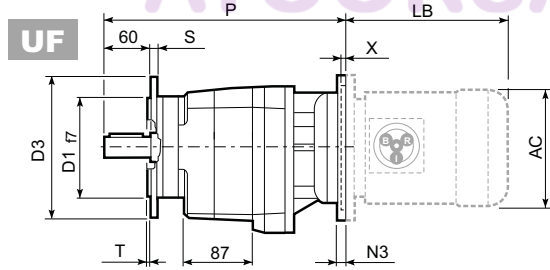
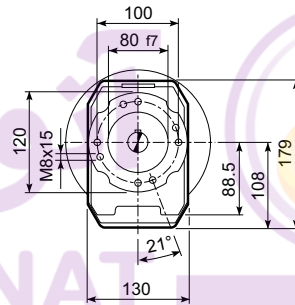
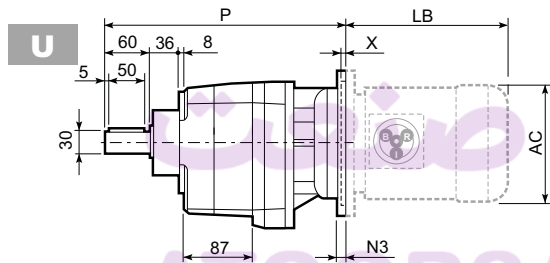
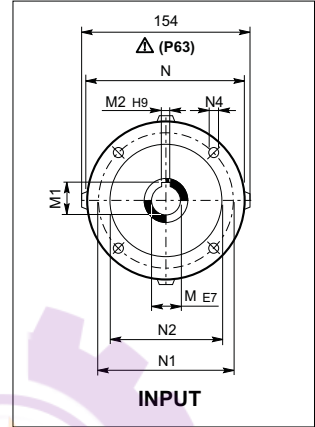
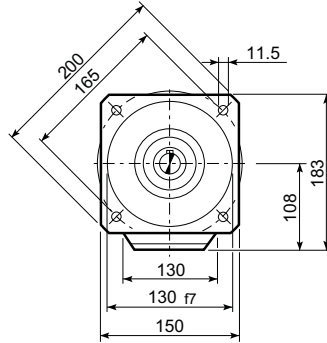
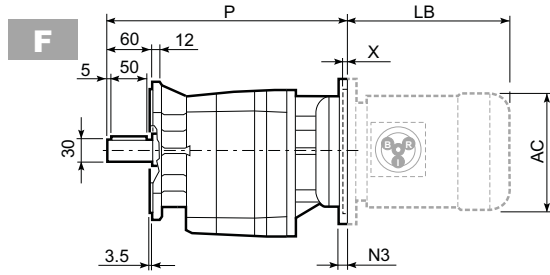
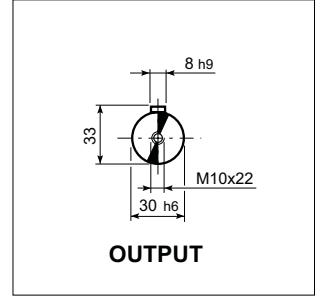
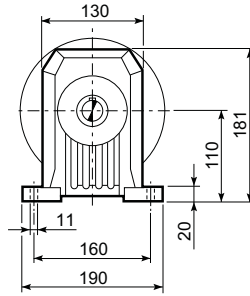
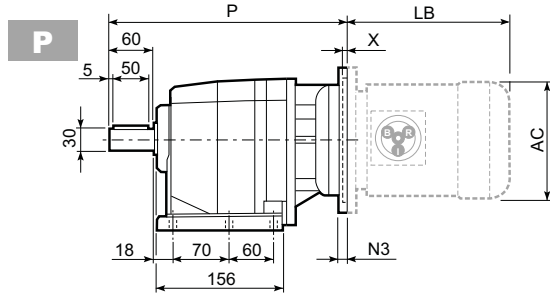
	D1	D2	D3	G	T	S
FA	110	130	160	9	3	10
FB	130	165	200	11	3.5	11
FC	180	215	250	14	4	13



C 31														
Motor Type	S	M	AC	H	HF	L	AD	Kg	M...FD M...FA		M...FD		M...FA	
									LF	Kg	R	AD	R	AD
C 31 2	S1	M1S	138	179	177	438.5	108	13	501.5	15	103	132	124	108
C 31 2	S1	M1L	138	179	177	462.5	108	14	523.5	16	103	132	124	108
C 31 2	S2	M2S	156	188	186	490.5	119	18	561.5	21	129	143	134	119
C 31 2	S3	M3S	195	207.5	205.5	534.5	142	23	630.5	28	160	155	160	142
C 31 2	S3	M3L	195	207.5	205.5	566.5	142	32	657.5	37	160	155	160	142
C 31 3	S05	M05	121	170.5	168.5	491	95	13	557	15	96	119	116	95
C 31 3	S1	M1S	138	179	177	496	108	14	559	16	103	132	124	108
C 31 3	S1	M1L	138	179	177	520	108	15	581	17	103	132	124	108
C 31 3	S2	M2S	156	188	186	548	119	18	619	21	129	143	134	119

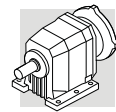


C 31...P(IEC)

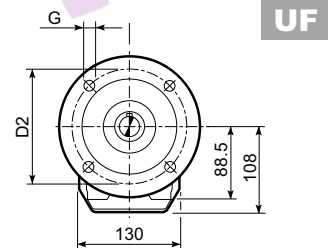
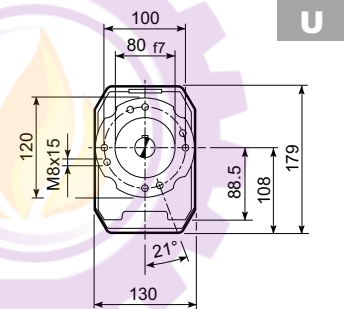
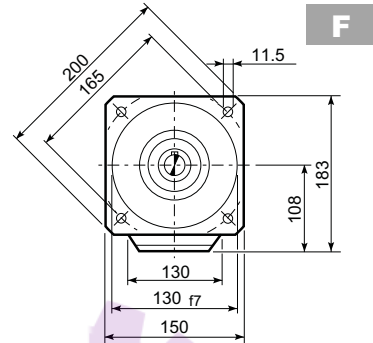
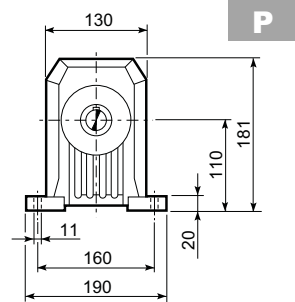
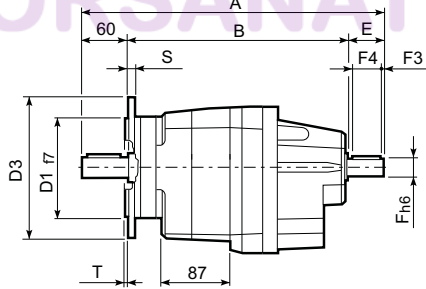
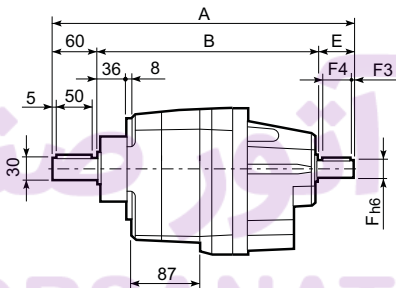
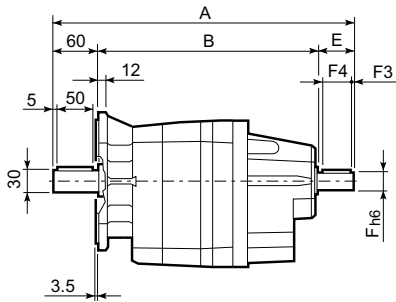
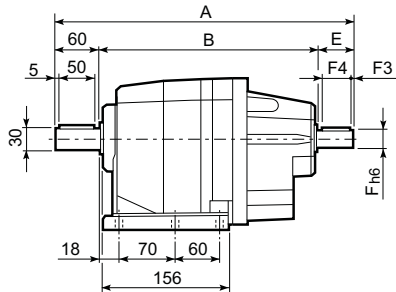
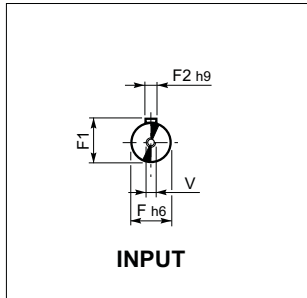
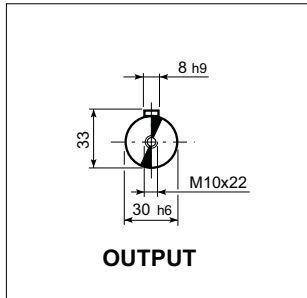


C 31_U						
	D1	D2	D3	G	T	S
FA	110	130	160	9	3	10
FB	130	165	200	11	3.5	11
FC	180	215	250	14	4	13

C 31													BN...		BN...FD BN...FA		
		M	M1	M2	N	N1	N2	N3	N4	X	P			LB	AC	LB	AC
C 31 2	P63	11	12.8	4	140	115	95	—	M8x19	4	307.5	9	BN 63	184	121	249	121
C 31 2	P71	14	16.3	5	160	130	110	—	M8x16	4.5	307.5	9	BN 71	219	138	280	138
C 31 2	P80	19	21.8	6	200	165	130	—	M10x12	4	327	10	BN 80	234	156	306	156
C 31 2	P90	24	27.3	8	200	165	130	—	M10x12	4	327	10	BN 90	276	176	359	176
C 31 2	P100	28	31.3	8	250	215	180	—	M12x16	4.5	337	14	BN 100	307	195	398	195
C 31 2	P112	28	31.3	8	250	215	180	—	M12x16	4.5	337	14	BN 112	325	219	424	219
C 31 3	P63	11	12.8	4	140	115	95	—	M8x19	4	365	10	BN 63	184	121	249	121
C 31 3	P71	14	16.3	5	160	130	110	—	M8x16	4.5	365	10	BN 71	219	138	280	138
C 31 3	P80	19	21.8	6	200	165	130	—	M10x12	4	384.5	11	BN 80	234	156	306	156
C 31 3	P90	24	27.3	8	200	165	130	—	M10x12	4	384.5	11	BN 90	276	176	359	176
C 31 3	P100	28	31.3	8	250	215	180	—	M12x16	4.5	394.5	15	BN 100	307	195	398	195
C 31 3	P112	28	31.3	8	250	215	180	—	M12x16	4.5	394.5	15	BN 112	325	219	424	219

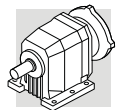


C 31...HS

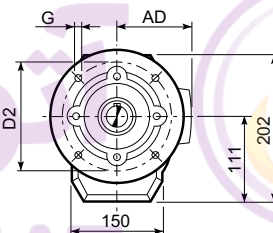
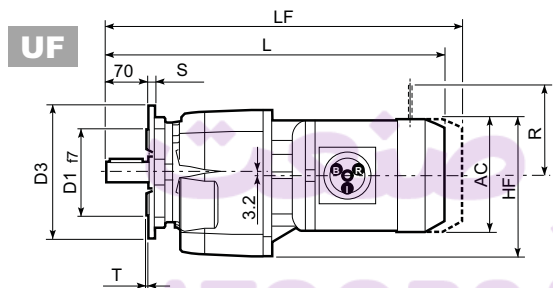
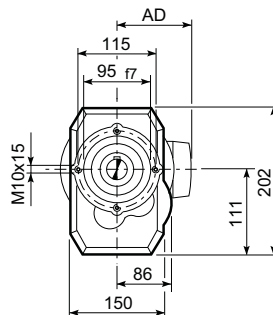
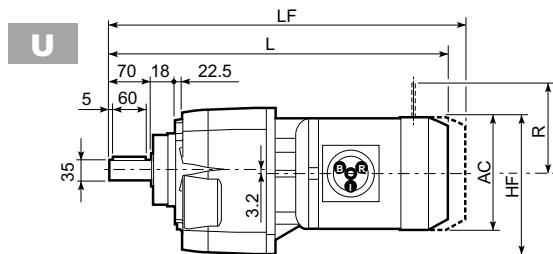
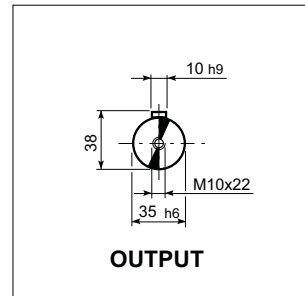
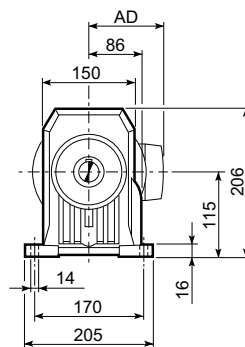
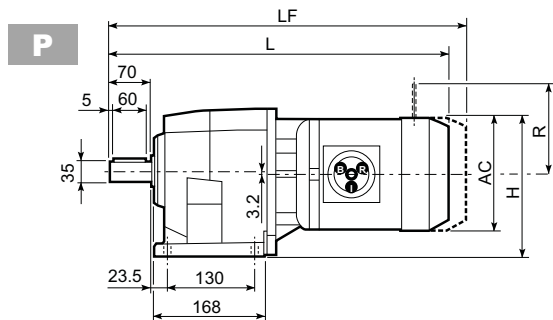


C 31_U						
	D1	D2	D3	G	T	S
FA	110	130	160	9	3	10
FB	130	165	200	11	3.5	11
FC	180	215	250	14	4	13

C 31											
		A	B	E	F	F1	F2	F3	F4	V	Kg
C 31 2	HS	357.5	257.5	40	19	21.5	6	2.5	35	M6x16	11.1
C 31 3		372	272	40	16	18	5	2.5	36	M6x16	10.6



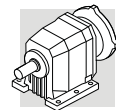
C 35...M



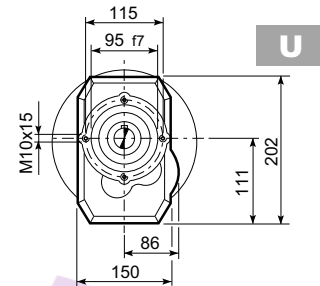
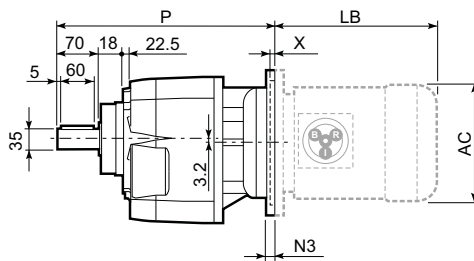
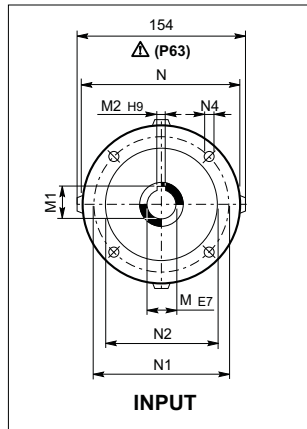
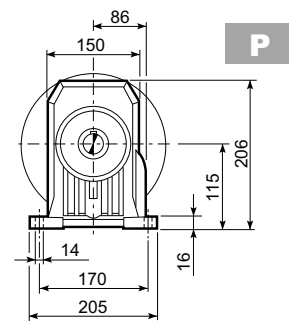
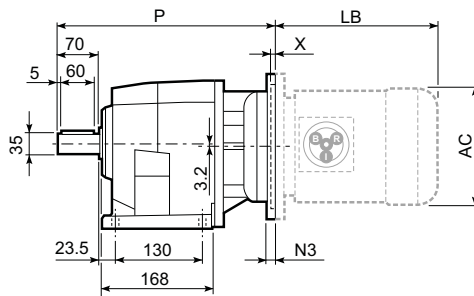
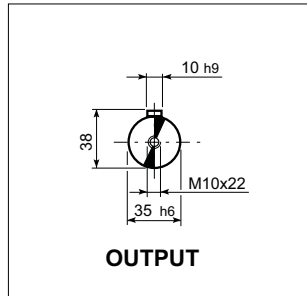
C 35 U						
	D1	D2	D3	G	T	S
FA	130	165	200	11	3.5	11
FB	180	215	250	14	4	14

آتور صنعت
ATOORSANAT

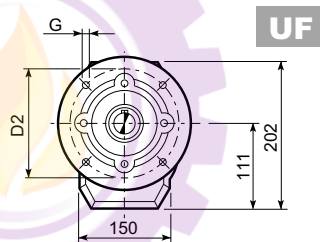
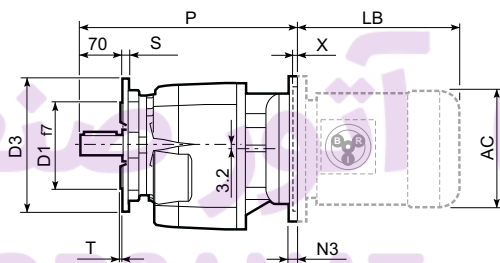
C 35														
			AC	H	HF	L	AD	Kg	M...FD	Kg	M...FD		M...FA	
									M...FA		R	AD	R	AD
C 35 2/3	S1	M1S	138	184	177	457	108	20	520	20	103	132	124	108
C 35 2/3	S1	M1L	138	184	177	481	108	20	542	21	103	132	124	108
C 35 2/3	S2	M2S	156	193	186	509	119	23	580	27	129	143	134	119
C 35 2/3	S3	M3S	195	212.5	205.5	553	142	28	649	33	160	155	160	142
C 35 2/3	S3	M3L	195	212.5	205.5	585	142	37	676	42	160	155	160	142
C 35 4	S05	M05	121	175.5	168.5	509.5	95	19	575.5	20	96	119	116	95
C 35 4	S1	M1S	138	184	177	514.5	108	21	577.5	21	103	132	124	108
C 35 4	S1	M1L	138	184	177	538.5	108	21	599.5	22	103	132	124	108
C 35 4	S2	M2S	156	193	186	566.5	119	24	637.5	28	129	143	134	119
C 35 4	S3	M3S	195	212.5	205.5	610.5	142	29	706.5	34	160	155	160	142
C 35 4	S3	M3L	195	212.5	205.5	642.5	142	38	733.5	43	160	155	160	142



C 35...P(IEC)

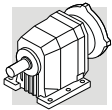


C 35 U						
	D1	D2	D3	G	T	S
FA	130	165	200	11	3.5	11
FB	180	215	250	14	4	14

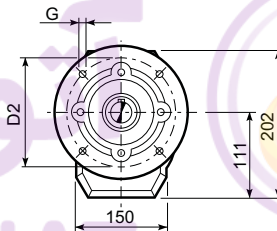
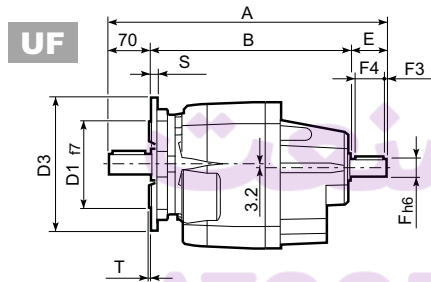
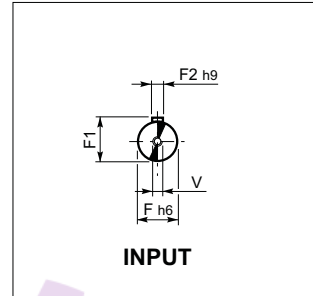
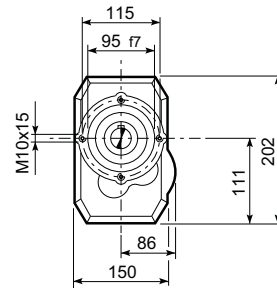
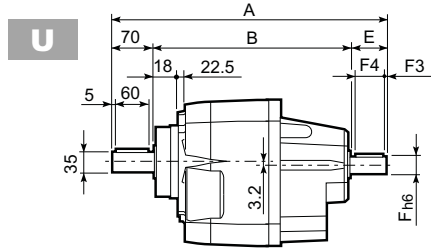
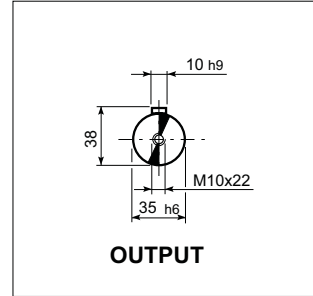
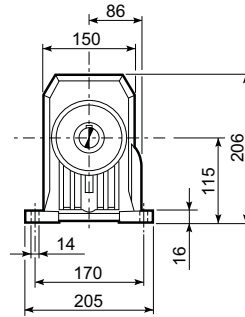
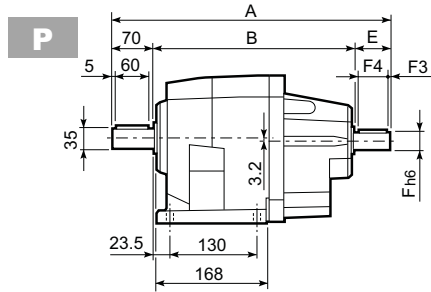


ATOORSANAT

C 35													BN...		BN...FD BN...FA	
	M	M1	M2	N	N1	N2	N3	N4	X	P	kg		LB	AC	LB	AC
C 35 2/3 P63	11	12.8	4	140	115	95	—	M8x19	4	326	17	BN 63	184	121	249	121
C 35 2/3 P71	14	16.3	5	160	130	110	—	M8x16	4.5	326	17	BN 71	219	138	280	138
C 35 2/3 P80	19	21.8	6	200	165	130	—	M10x12	4	345.5	18	BN 80	234	156	306	156
C 35 2/3 P90	24	27.3	8	200	165	130	—	M10x12	4	345.5	18	BN 90	276	176	359	176
C 35 2/3 P100	28	31.3	8	250	215	180	—	M12x16	4.5	355.5	22	BN 100	307	195	398	195
C 35 2/3 P112	28	31.3	8	250	215	180	—	M12x16	4.5	355.5	22	BN 112	325	219	424	219
C 35 4 P63	11	12.8	4	140	115	95	—	M8x19	4	383.5	20	BN 63	184	121	249	121
C 35 4 P71	14	16.3	5	160	130	110	—	M8x16	4.5	383.5	20	BN 71	219	138	280	138
C 35 4 P80	19	21.8	6	200	165	130	—	M10x12	4	403	21	BN 80	234	156	306	156
C 35 4 P90	24	27.3	8	200	165	130	—	M10x12	4	403	21	BN 90	276	176	359	176
C 35 4 P100	28	31.3	8	250	215	180	—	M12x16	4.5	413	25	BN 100	307	195	398	195
C 35 4 P112	28	31.3	8	250	215	180	—	M12x16	4.5	413	25	BN 112	325	219	424	219



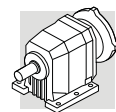
C 35...HS



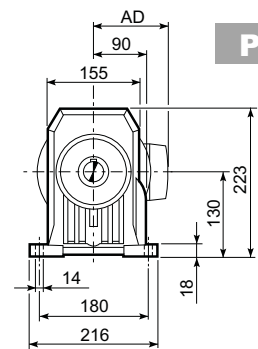
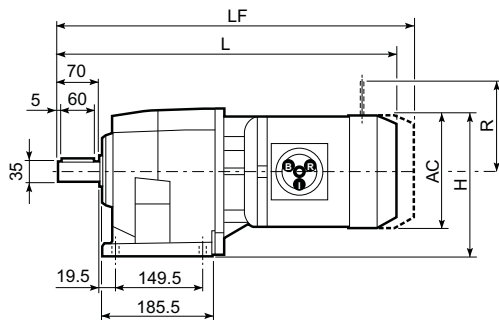
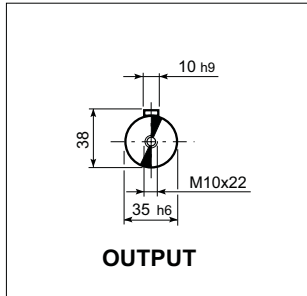
C 35 U						
	D1	D2	D3	G	T	S
FA	130	165	200	11	3.5	11
FB	180	215	250	14	4	14

آتور صنعت
ATOORSANAT

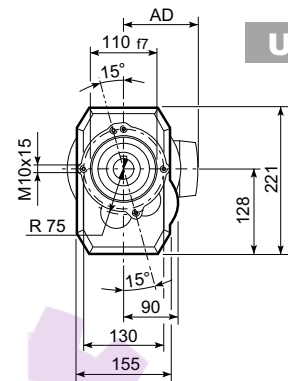
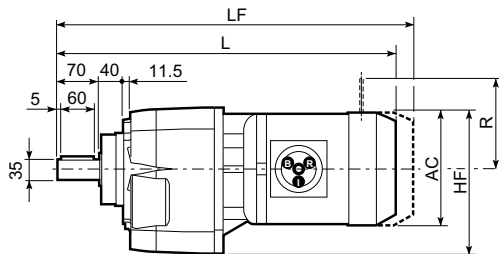
C 35											
		A	B	E	F	F1	F2	F3	F4	V	Kg
C 35 2	HS	415.5	295.5	50	24	27	8	2.5	45	M8x19	25.5
C 35 3		415.5	295.5	50	24	27	8	2.5	45	M8x19	25.5
C 35 4		390.5	280.5	40	16	18	5	2.5	36	M6x16	26.5



C 41...M

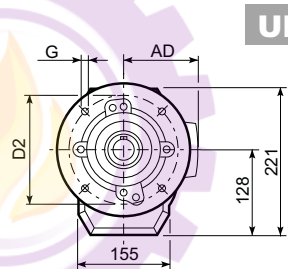
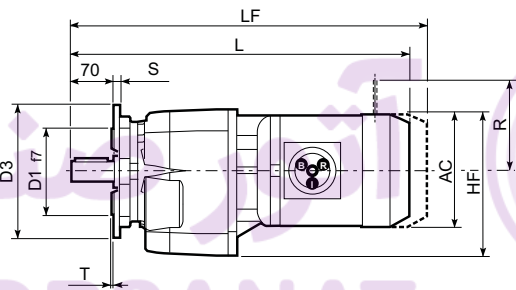


P



U

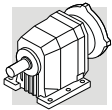
C 41 U						
	D1	D2	D3	G	T	S
FA	130	165	200	11	3.5	11
FB	180	215	250	14	4	13



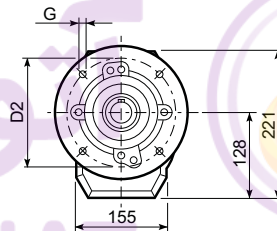
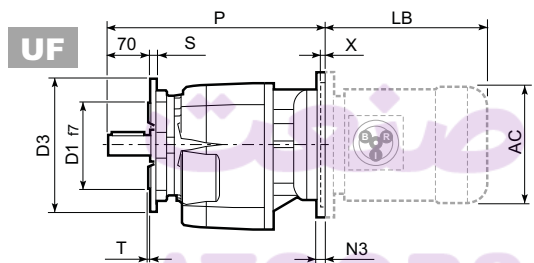
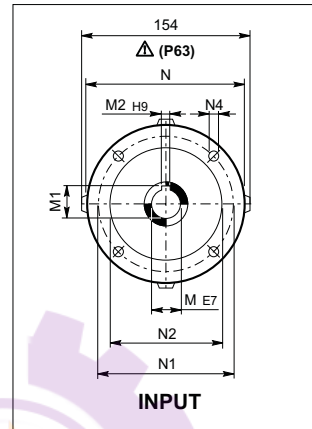
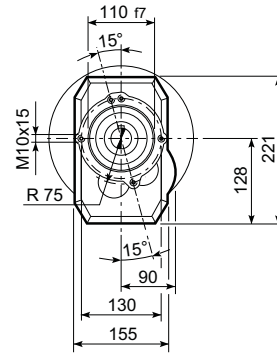
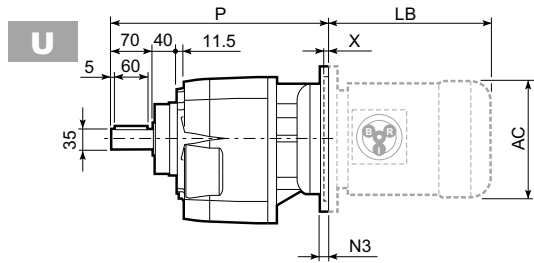
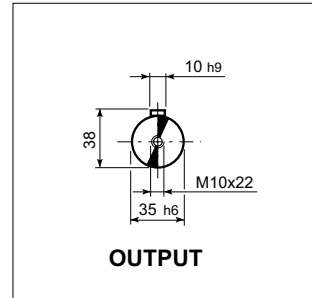
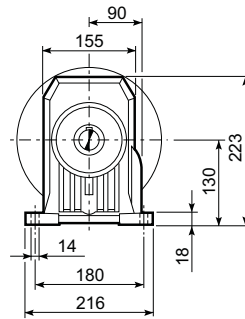
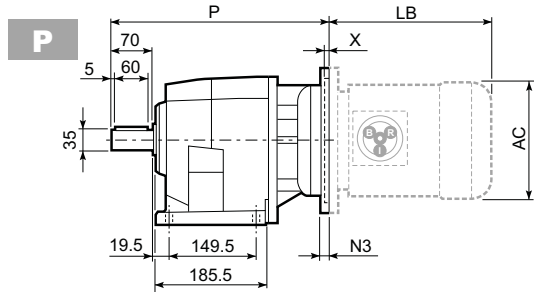
UF

ATOORSANAT

C 41													
	AC	H	HF	L	AD	Kg	M...FD M...FA		Kg	M...FD		M...FA	
							LF	R		AD	R	AD	
C 41 2/3 S1 M1S	138	199	197	467.5	108	25	530.5	27	103	132	124	108	
C 41 2/3 S1 M1L	138	199	197	491.5	108	25	552.5	28	103	132	124	108	
C 41 2/3 S2 M2S	156	208	206	519.5	119	31	590.5	34	129	143	134	119	
C 41 2/3 S3 M3S	195	227.5	225.5	563.5	142	36	659.5	41	160	155	160	142	
C 41 2/3 S3 M3L	195	227.5	225.5	595.5	142	45	686.5	50	160	155	160	142	
C 41 2/3 S4 M4	258	259	257	703.5	193	71	812.5	83	226	193	217	193	
C 41 4 S05 M05	231	245.5	243.5	524	95	27	590	28	96	119	116	95	
C 41 4 S1 M1S	138	199	197	529	108	28	592	30	103	132	124	108	
C 41 4 S1 M1L	138	199	197	553	108	28	614	31	103	132	124	108	
C 41 4 S2 M2S	156	208	206	581	119	34	652	37	129	143	134	119	
C 41 4 S3 M3S	195	227.5	225.5	625	142	39	721	44	160	155	160	142	
C 41 4 S3 M3L	195	227.5	225.5	657	142	48	748	53	160	155	160	142	



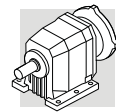
C 41...P(IEC)



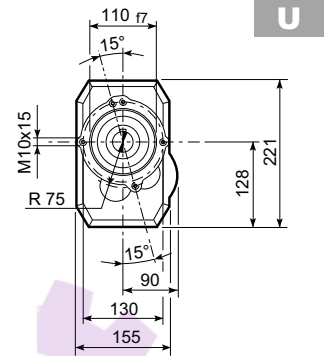
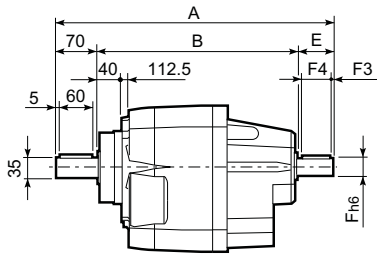
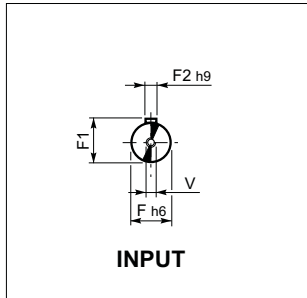
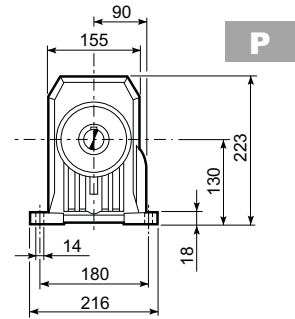
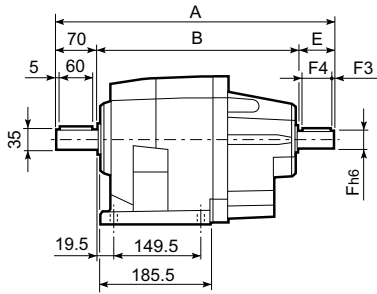
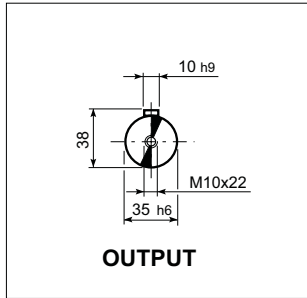
		C 41 U					
		D1	D2	D3	G	T	S
FA		130	165	200	11	3.5	11
FB		180	215	250	14	4	13

آتور صنعت
ATOORSANAT

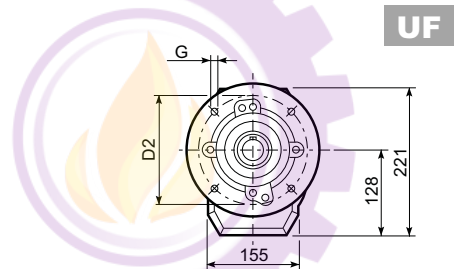
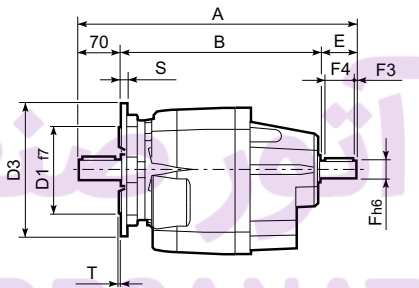
C 41												BN...		BN...FD BN...FA			
		M	M1	M2	N	N1	N2	N3	N4	X	P		LB	AC	LB	AC	
C 41 2/3	P63	11	12.8	4	140	115	95	—	M8x19	4	336.5	27	BN 63	184	121	249	121
C 41 2/3	P71	14	16.3	5	160	130	110	—	M8x16	4.5	336.5	28	BN 71	219	138	280	138
C 41 2/3	P80	19	21.8	6	200	165	130	—	M10x12	4	356	29	BN 80	234	156	306	156
C 41 2/3	P90	24	27.3	8	200	165	130	—	M10x12	4	356	29	BN 90	276	176	359	176
C 41 2/3	P100	28	31.3	8	250	215	180	—	M12x16	4.5	366	33	BN 100	307	195	398	195
C 41 2/3	P112	28	31.3	8	250	215	180	—	M12x16	4.5	366	33	BN 112	325	219	424	219
C 41 2/3	P132	38	41.3	10	300	265	230	16	14	5	402.5	35	BN 132	413	258	523	258
C 41 4	P63	11	12.8	4	140	115	95	—	M8x19	4	395	30	BN 63	184	121	249	121
C 41 4	P71	14	16.3	5	160	130	110	—	M8x16	4.5	395	31	BN 71	219	138	280	138
C 41 4	P80	19	21.8	6	200	165	130	—	M10x12	4	414.5	32	BN 80	234	156	306	156
C 41 4	P90	24	27.3	8	200	165	130	—	M10x12	4	414.5	32	BN 90	276	176	359	176
C 41 4	P100	28	31.3	8	250	215	180	—	M12x16	4.5	424.5	36	BN 100	307	195	398	195
C 41 4	P112	28	31.3	8	250	215	180	—	M12x16	4.5	424.5	36	BN 112	325	219	424	219



C 41...HS

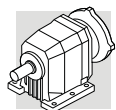


C 41 U						
	D1	D2	D3	G	T	S
FA	130	165	200	11	3.5	11
FB	180	215	250	14	4	13

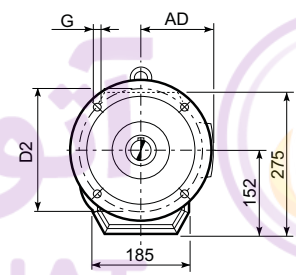
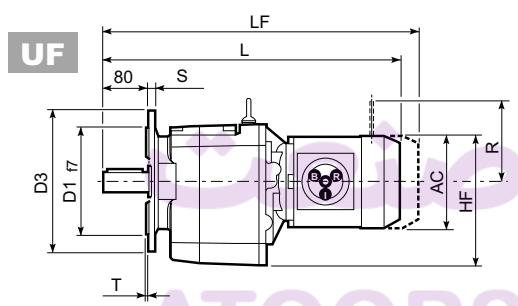
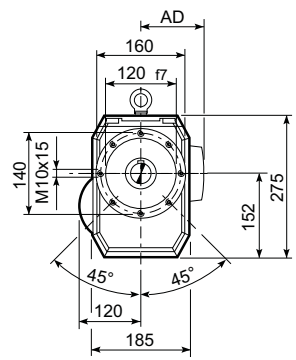
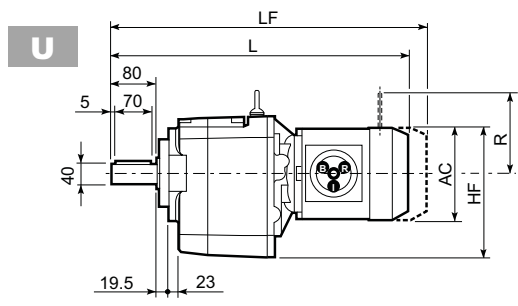
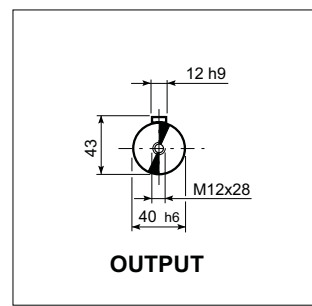
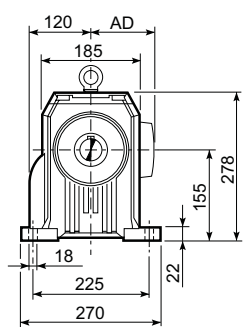
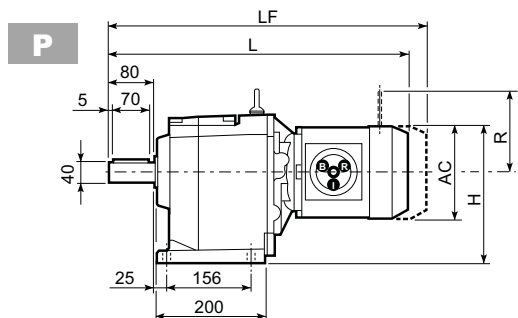


ATOORSANAT

C 41											
		A	B	E	F	F1	F2	F3	F4	V	Kg
C 41 2	HS	425.5	305.5	50	24	27	8	2.5	45	M8x19	30
C 41 3		425.5	305.5	50	24	27	8	2.5	45	M8x19	30
C 41 4		448	338	40	19	21.5	6	2.5	35	M6x16	33



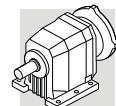
C 51...M



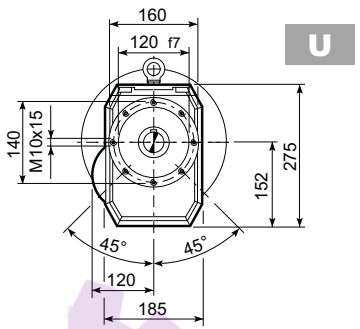
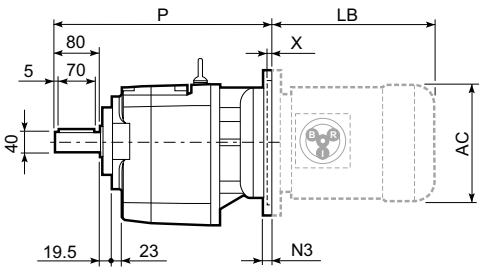
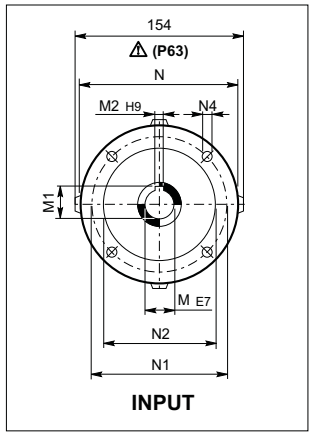
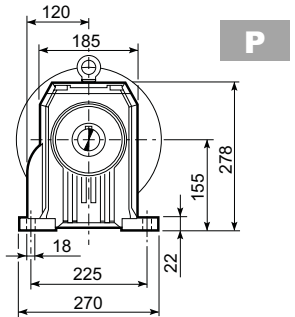
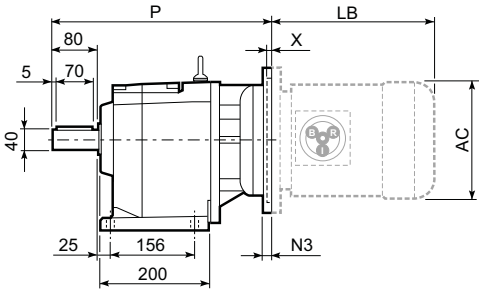
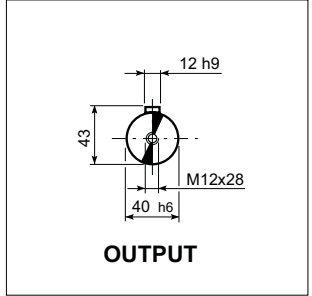
C 51 U						
	D1	D2	D3	G	T	S
FA	180	215	250	14	4	13
FB	230	265	300	14	4	16



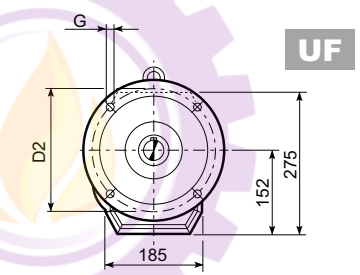
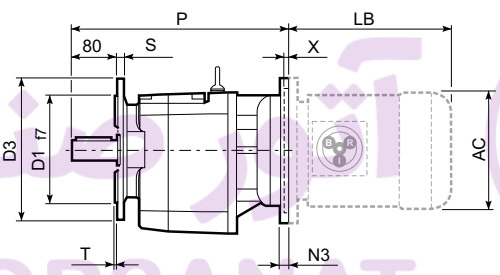
C 51														
			AC	H	HF	L	AD	Kg	LF	Kg	M...FD		M...FA	
											R	AD	R	AD
C 51 2/3	S1	M1S	138	224	221	493.5	108	48	556.5	50	103	132	124	108
C 51 2/3	S1	M1L	138	224	221	517.5	108	49	578.5	52	103	132	124	108
C 51 2/3	S2	M2S	156	233	230	545.5	119	53	616.5	57	129	143	134	119
C 51 2/3	S3	M3S	195	252.5	249.5	589.5	142	58	685.5	65	160	155	160	142
C 51 2/3	S3	M3L	195	252.5	249.5	621.5	142	65	712.5	72	160	155	160	142
C 51 2/3	S4	M4	258	284	281	729.5	193	99	838.5	117	226	193	217	193
C 51 2/3	S4	M4LC	258	284	281	764.5	193	107	863.5	125	226	193	217	193
C 51 4	S1	M1S	138	224	221	565	108	51	628	54	103	132	124	108
C 51 4	S1	M1L	138	224	221	589	108	52	650	55	103	132	124	108
C 51 4	S2	M2S	156	233	230	617	119	56	688	60	129	143	134	119
C 51 4	S3	M3S	195	252.5	249.5	661	142	61	757	68	160	155	160	142
C 51 4	S3	M3L	195	252.5	249.5	693	142	68	784	75	160	155	160	142



C 51...P(IEC)

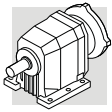


C 51 U						
	D1	D2	D3	G	T	S
FA	180	215	250	14	4	13
FB	230	265	300	14	4	16

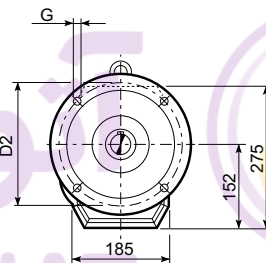
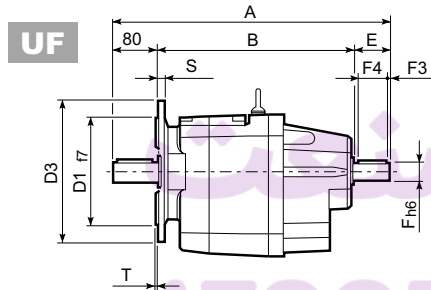
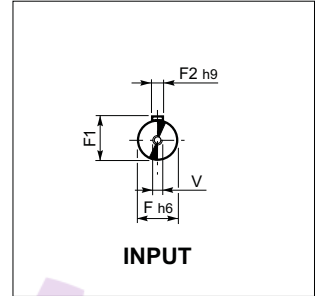
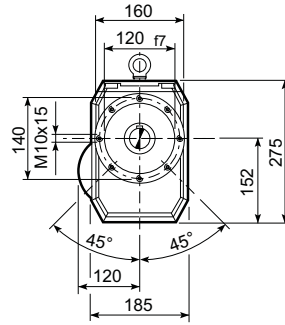
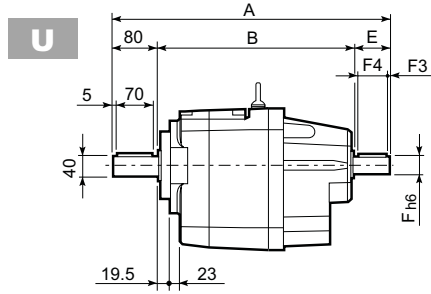
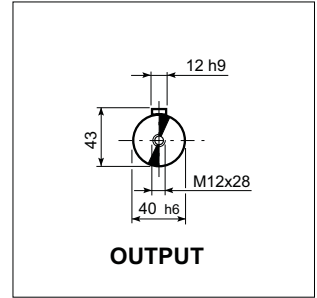
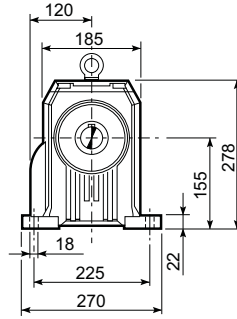
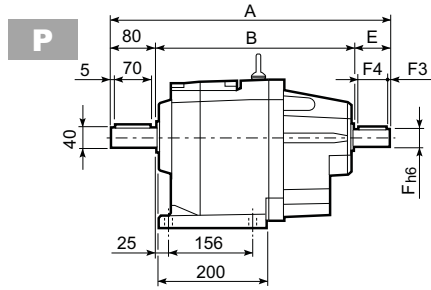


ATOORSANAT

C 51													BN...		BN...FD BN...FA		
		M	M1	M2	N	N1	N2	N3	N4	X	P			LB	AC	LB	AC
C 51 2/3	P63	11	12.8	4	140	115	95	—	M8x19	4	362.5	45	BN 63	184	121	249	121
C 51 2/3	P71	14	16.3	5	160	130	110	—	M8x16	4.5	362.5	45	BN 71	219	138	280	138
C 51 2/3	P80	19	21.8	6	200	165	130	—	M10x12	4	382	47	BN 80	234	156	306	156
C 51 2/3	P90	24	27.3	8	200	165	130	—	M10x12	4	382	47	BN 90	276	176	359	176
C 51 2/3	P100	28	31.3	8	250	215	180	—	M12x16	4.5	392	51	BN 100	307	195	398	195
C 51 2/3	P112	28	31.3	8	250	215	180	—	M12x16	4.5	392	51	BN 112	325	219	424	219
C 51 2/3	P132	38	41.3	10	300	265	230	16	14	5	428.5	54	BN 132	413	258	523	258
C 51 2/3	P160	42	45.3	12	350	300	250	23	18	5.5	479	58	BN 160MR	452	258	562	258
													BN 160M/L	486	310	626	310
													BN 180M	530	310	670	310
C 51 2/3	P180	48	51.8	14	350	300	250	23	18	5.5	479	58	BN 180L	598	348	756	348
C 51 4	P63	11	12.8	4	140	115	95	—	M8x19	4	434	47	BN 63	184	121	249	121
C 51 4	P71	14	16.3	5	160	130	110	—	M8x16	4.5	434	47	BN 71	219	138	280	138
C 51 4	P80	19	21.8	6	200	165	130	—	M10x12	4	453.5	49	BN 80	234	156	306	156
C 51 4	P90	24	27.3	8	200	165	130	—	M10x12	4	463.5	49	BN 90	276	176	359	176
C 51 4	P100	28	31.3	8	250	215	180	—	M12x16	4.5	463.5	53	BN 100	307	195	398	195
C 51 4	P112	28	31.3	8	250	215	180	—	M12x16	4.5	463.5	53	BN 112	325	219	424	219



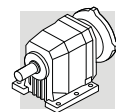
C 51...HS



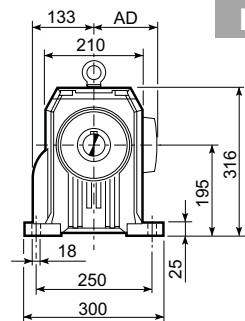
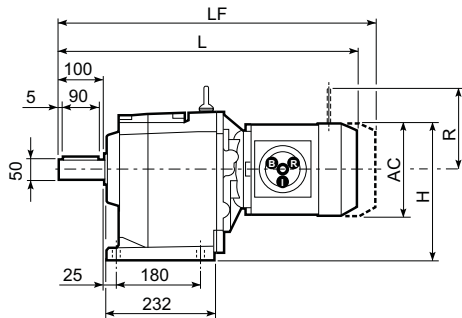
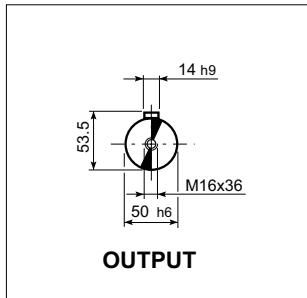
C 51 U						
	D1	D2	D3	G	T	S
FA	180	215	250	14	4	13
FB	230	265	300	14	4	16

آتور صنعت
ATOORSANAT

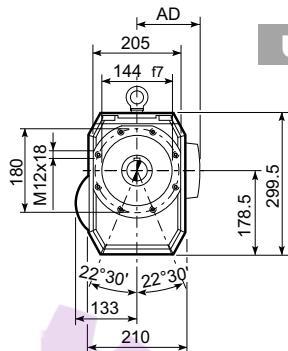
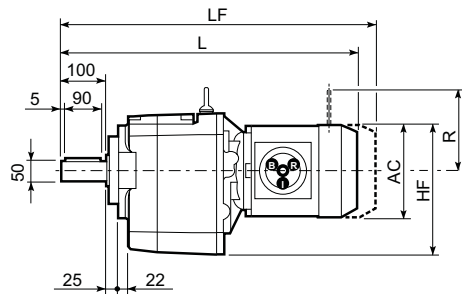
C 51											
		A	B	E	F	F1	F2	F3	F4	V	Kg
C 51 2	HS	451.5	322	50	24	24	8	2.5	45	M8x19	45
C 51 3		451.5	322	50	24	24	8	2.5	45	M8x19	45
C 51 4		484	364	40	19	21.5	6	2.5	35	M6x16	48



C 61...M

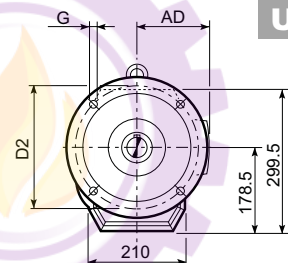
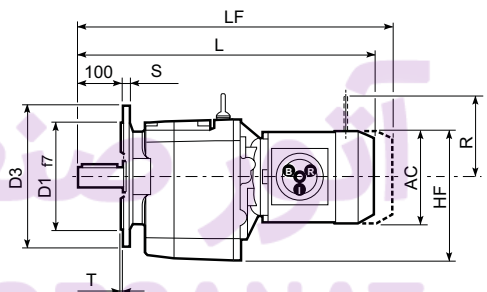


P



U

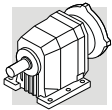
C 61 U						
	D1	D2	D3	G	T	S
FA	230	265	300	14	4	16
FB	250	300	350	18	5	18



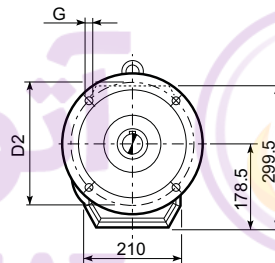
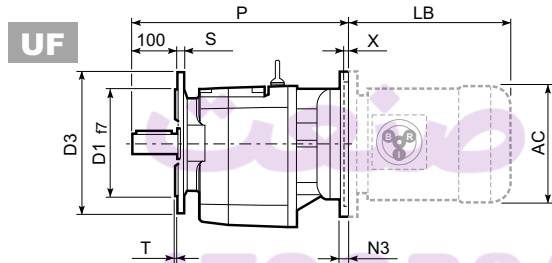
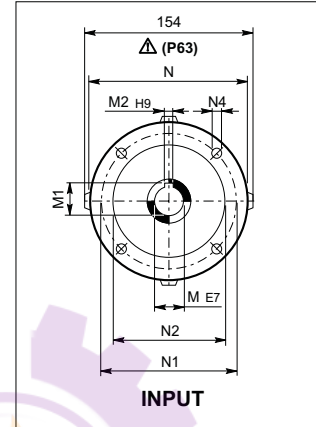
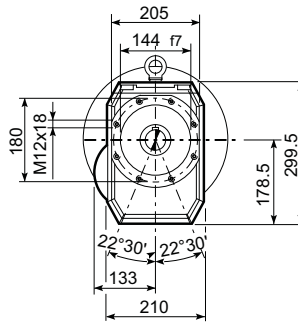
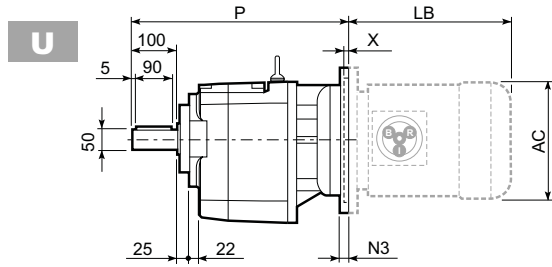
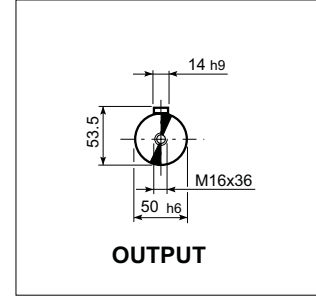
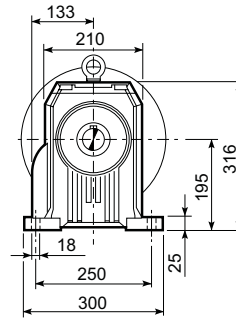
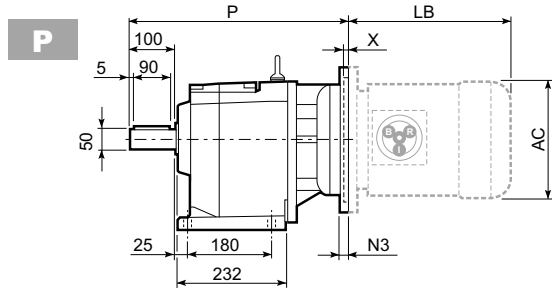
UF

ATOORSANAT

C 61													
	AC	H	HF	L	AD	Kg	M...FD M...FA		M...FD		M...FA		
							LF	Kg	R	AD	R	AD	
C 61 2/3 S2 M2S	156	273	256.5	598.5	119	61	669.5	65	129	143	134	119	
C 61 2/3 S3 M3S	195	292.5	276	642.5	142	66	738.5	74	160	155	160	142	
C 61 2/3 S3 M3L	195	292.5	276	674.5	142	74	765.5	81	160	155	160	142	
C 61 2/3 S4 M4	258	324	307.5	782.5	193	108	891.5	126	226	193	217	193	
C 61 2/3 S4 M4LC	258	324	307.5	817.5	193	116	916.5	134	226	193	217	193	
C 61 2/3 S5 M5S	310	350	333.5	869	245	136	1009	166	266	245	247	245	
C 61 2/3 S5 M5L	310	350	333.5	913	245	152	1053	182	266	245	247	245	
C 61 4 S1 M1S	138	264	247.5	617	108	69	680	72	103	132	124	108	
C 61 4 S1 M1L	138	264	247.5	641	108	71	702	74	103	132	124	108	
C 61 4 S2 M2S	156	273	256.5	669	119	75	740	78	129	143	134	119	
C 61 4 S3 M3S	195	292.5	276	713	142	79	809	87	160	155	160	142	
C 61 4 S3 M3L	195	292.5	276	745	142	87	836	94	160	155	160	142	



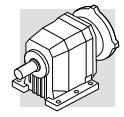
C 61...P(IEC)



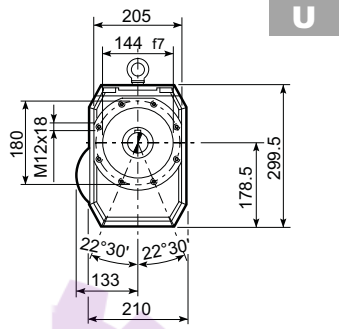
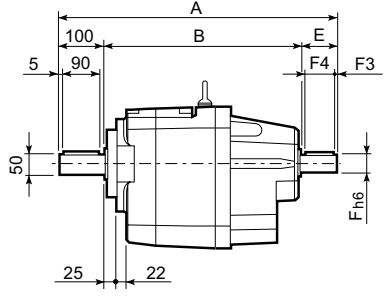
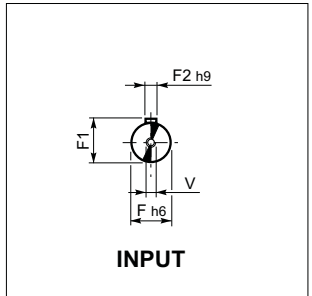
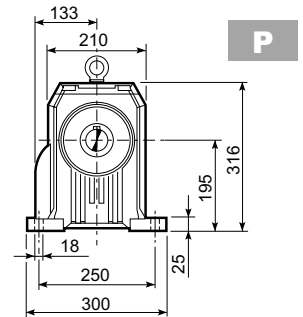
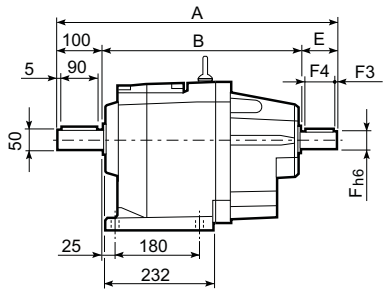
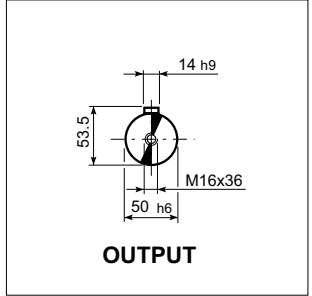
C 61 U						
	D1	D2	D3	G	T	S
FA	230	265	300	14	4	16
FB	250	300	350	18	5	18

آتور صنعت
ATOORSANAT

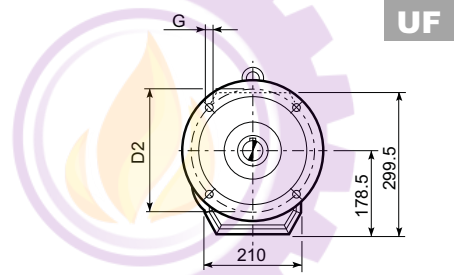
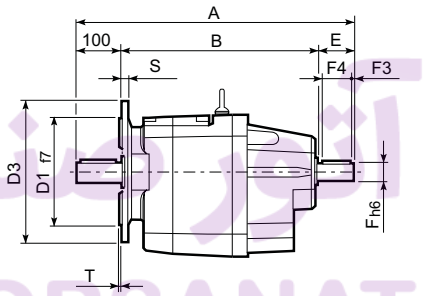
C 61													BN...		BN...FD BN...FA		
		M	M1	M2	N	N1	N2	N3	N4	X	P	kg		LB	AC	LB	AC
C 61 2/3	P63	11	12.8	4	140	115	95	—	M8x19	4	415.5	55	BN 63	184	121	249	121
C 61 2/3	P71	14	16.3	5	160	130	110	—	M8x16	4.5	415.5	57	BN 71	219	138	280	138
C 61 2/3	P80	19	21.8	6	200	165	130	—	M10x12	4	435	61	BN 80	234	156	306	156
C 61 2/3	P90	24	27.3	8	200	165	130	—	M10x12	4	435	61	BN 90	276	176	359	176
C 61 2/3	P100	28	31.3	8	250	215	180	—	M12x16	4.5	444	65	BN 100	307	195	398	195
C 61 2/3	P112	28	31.3	8	250	215	180	—	M12x16	4.5	444	65	BN 112	325	219	424	219
C 61 2/3	P132	38	41.3	10	300	265	230	16	14	5	481.5	68	BN 132	413	258	523	258
C 61 2/3	P160	42	45.3	12	350	300	250	23	18	5.5	532	73	BN 160MR	452	258	562	258
													BN 160M/L	486	310	626	310
C 61 2/3	P180	48	51.8	14	350	300	250	23	18	5.5	532	73	BN 180M	530	310	670	310
													BN 180L	598	348	756	348
C 61 4	P63	11	12.8	4	140	115	95	—	M8x19	4	486	61	BN 63	184	121	249	121
C 61 4	P71	14	16.3	5	160	130	110	—	M8x16	4.5	489	63	BN 71	219	138	280	138
C 61 4	P80	19	21.8	6	200	165	130	—	M10x12	4	505.5	67	BN 80	234	156	306	156
C 61 4	P90	24	27.3	8	200	165	130	—	M10x12	4	505.5	67	BN 90	276	176	359	176
C 61 4	P100	28	31.3	8	250	215	180	—	M12x16	4.5	515.5	71	BN 100	307	195	398	195
C 61 4	P112	28	31.3	8	250	215	180	—	M12x16	4.5	515.5	71	BN 112	325	219	424	219



C 61...HS

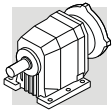


C 61 U						
	D1	D2	D3	G	T	S
FA	230	265	300	14	4	16
FB	250	300	350	18	5	18

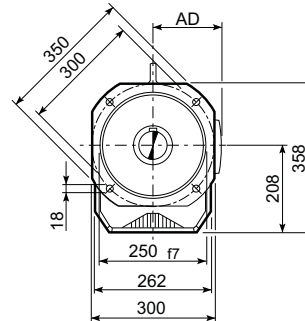
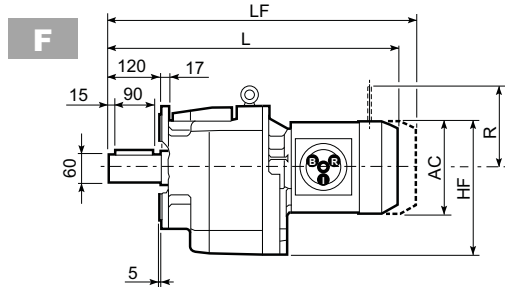
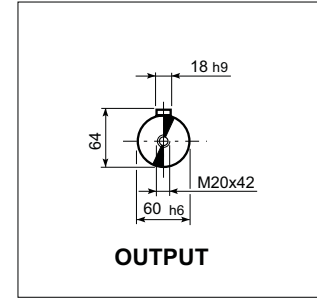
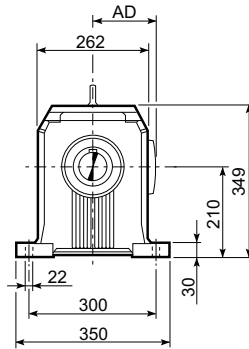
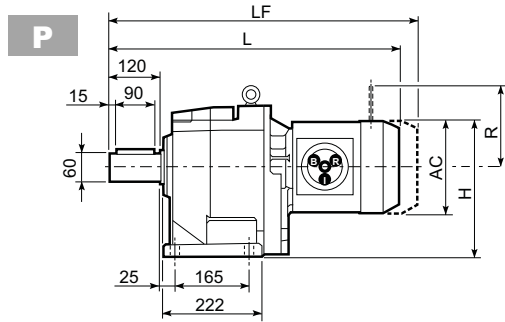


ATOORSANAT

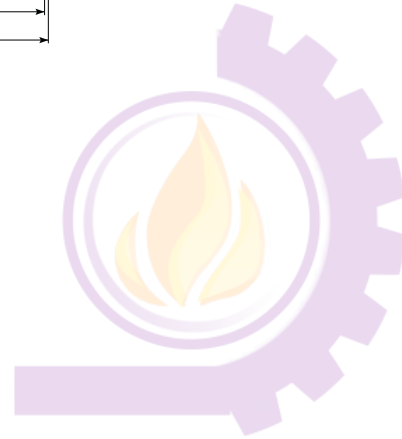
C 61											
		A	B	E	F	F1	F2	F3	F4	V	Kg
C 61 2	HS	532	372	60	28	31	8	5	50	M10x22	66
C 61 3		532	372	60	28	31	8	5	50	M10x22	66
C 61 4		575	425	50	24	27	8	2.5	45	M8x19	72




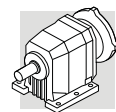
C 70...M



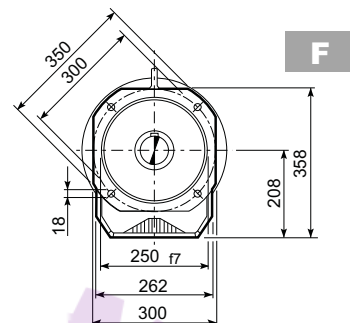
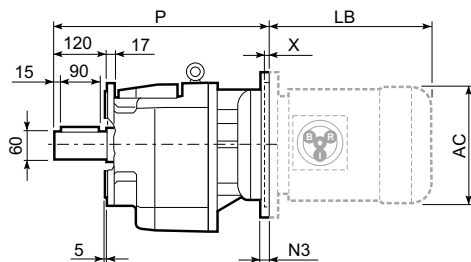
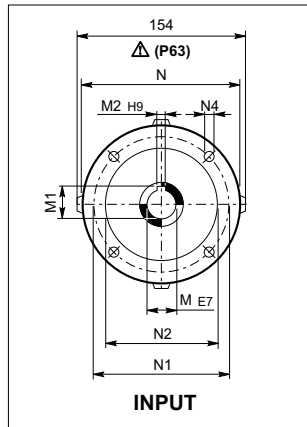
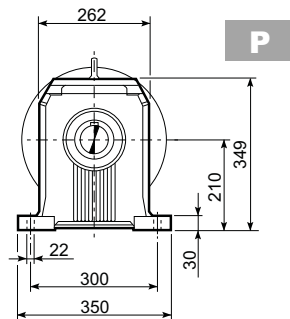
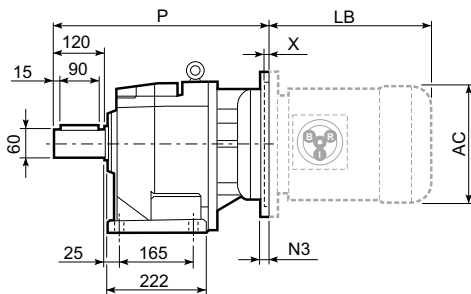
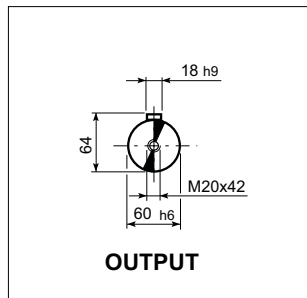
آتور صنعت
ATOORSANAT



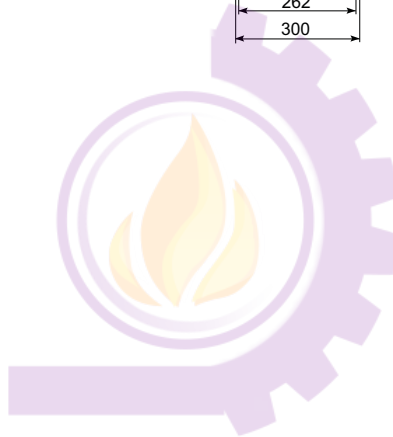
C 70														
			AC	H	HF	L	AD	Kg	M...FD M...FA		M...FD		M...FA	
									LF	Kg	R	AD	R	AD
C 70 2/3	S2	M2S	156	288	286	636.5	119	88	707.5	92	129	143	134	119
C 70 2/3	S3	M3S	195	307.5	305.5	680.5	142	93	776.5	101	160	155	160	142
C 70 2/3	S3	M3L	195	307.5	305.5	712.5	142	101	803.5	108	160	155	160	142
C 70 2/3	S4	M4	258	339	337	820.5	193	135	929.5	153	226	193	217	193
C 70 2/3	S4	M4LC	258	339	337	855.5	193	143	954.5	161	226	193	217	193
C 70 2/3	S5	M5S	310	365	363	907	245	163	1047	193	266	245	247	245
C 70 2/3	S5	M5L	310	365	363	951	245	179	1091	209	266	245	247	245
C 70 4	S1	M1S	138	279	277	635.5	108	87	698.5	90	103	132	124	108
C 70 4	S1	M1L	138	279	277	659.5	108	88	720.5	91	103	132	124	108
C 70 4	S2	M2S	156	288	286	687.5	119	92	758.5	96	129	143	134	119
C 70 4	S3	M3S	195	307.5	305.5	731.5	142	97	827.5	104	160	155	160	142
C 70 4	S3	M3L	195	307.5	305.5	763.5	142	104	854.5	111	160	155	160	142
C 70 4	S4	M4	258	339	337	871.5	193	138	980.5	156	226	193	217	193



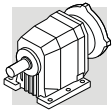
C 70...P(IEC)



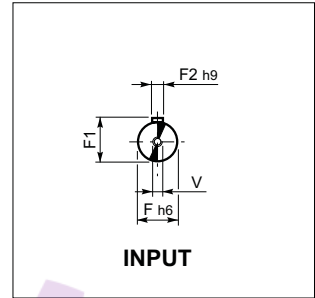
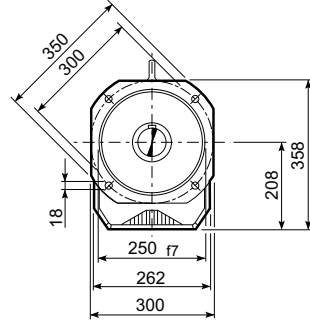
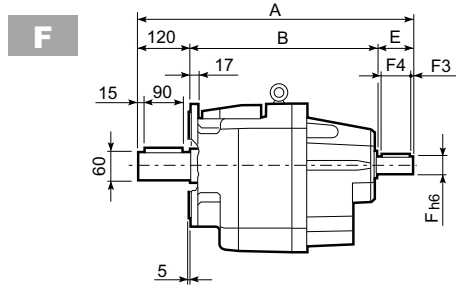
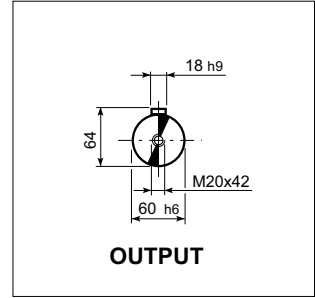
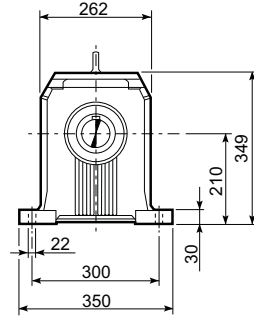
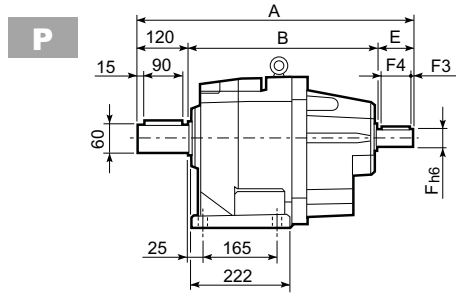
آتور صنعت
ATOORSANAT



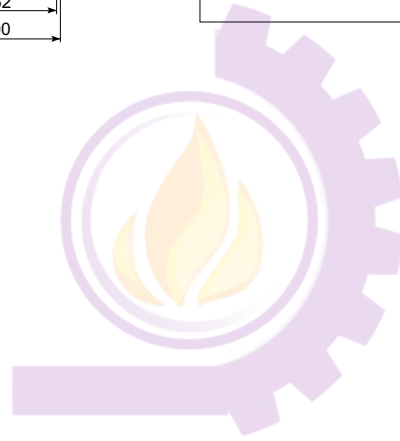
C 70													BN...		BN...FD BN...FA		
		M	M1	M2	N	N1	N2	N3	N4	X	P			LB	AC	LB	AC
C 70 2/3	P80	19	21.8	6	200	165	130	—	M10x12	4	473	88	BN 80	234	156	306	156
C 70 2/3	P90	24	27.3	8	200	165	130	—	M10x12	4	473	88	BN 90	276	176	359	176
C 70 2/3	P100	28	31.3	8	250	215	180	—	M12x16	4.5	483	92	BN 100	307	195	398	195
C 70 2/3	P112	28	31.3	8	250	215	180	—	M12x16	4.5	483	92	BN 112	325	219	424	219
C 70 2/3	P132	38	41.3	10	300	265	230	16	14	5	519.5	95	BN 132	413	258	523	258
C 70 2/3	P160	42	45.3	12	350	300	250	23	18	6	575	107	BN 160MR	452	258	562	258
													BN 160M/L	486	310	626	310
C 70 2/3	P180	48	51.8	14	350	300	250	23	18	6	575	107	BN 180M	530	310	670	310
													BN 180L	598	348	756	348
C 70 2/3	P200	55	59.3	16	400	350	300	—	M16x25	7	600	129	BN 200L	612	348	768	348
C 70 4	P63	11	12.8	4	140	115	95	—	M8x19	4	504.5	91	BN 63	184	121	249	121
C 70 4	P71	14	16.3	5	160	130	110	—	M8x16	4.5	504.5	91	BN 71	219	138	280	138
C 70 4	P80	19	21.8	6	200	165	130	—	M10x12	4	524	92	BN 80	234	156	306	156
C 70 4	P90	24	27.3	8	200	165	130	—	M10x12	4	524	92	BN 90	276	176	359	176
C 70 4	P100	28	31.3	8	250	215	180	—	M12x16	4.5	534	96	BN 100	307	195	398	195
C 70 4	P112	28	31.3	8	250	215	180	—	M12x16	4.5	534	96	BN 112	325	219	424	219
C 70 4	P132	38	41.3	10	300	265	230	16	14	5	570.5	98	BN 132	413	258	523	258



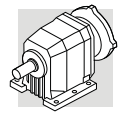
C 70...HS



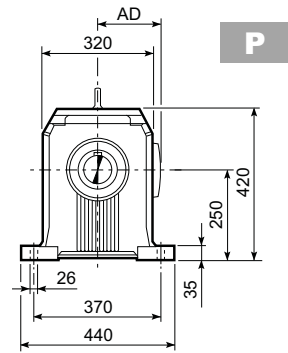
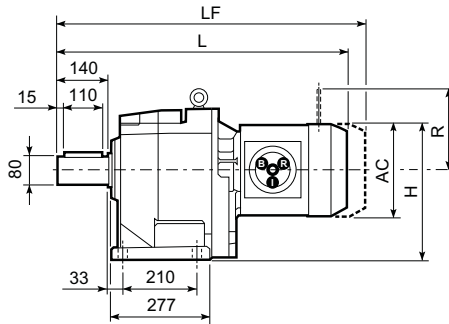
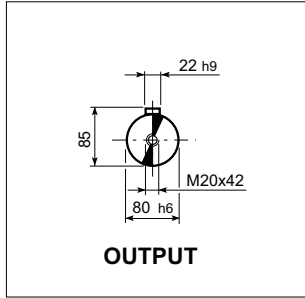
آتور صنعت
ATOORSANAT



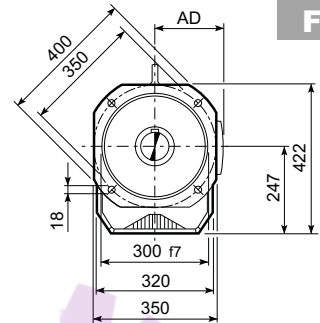
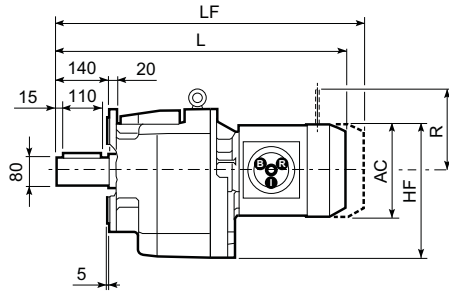
C 70											
		A	B	E	F	F1	F2	F3	F4	V	Kg
C 70 2	HS	657.5	427.5	110	42	45	12	10	90	M12x28	108
C 70 3		657.5	427.5	110	42	45	12	10	90	M12x28	108
C 70 4		593.5	423.5	50	24	27	8	2.5	45	M8x19	94



C 80...M

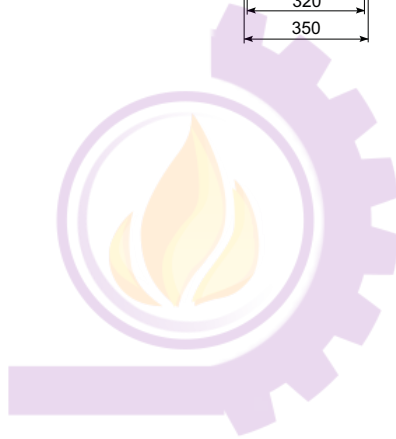


P

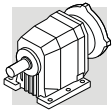


F

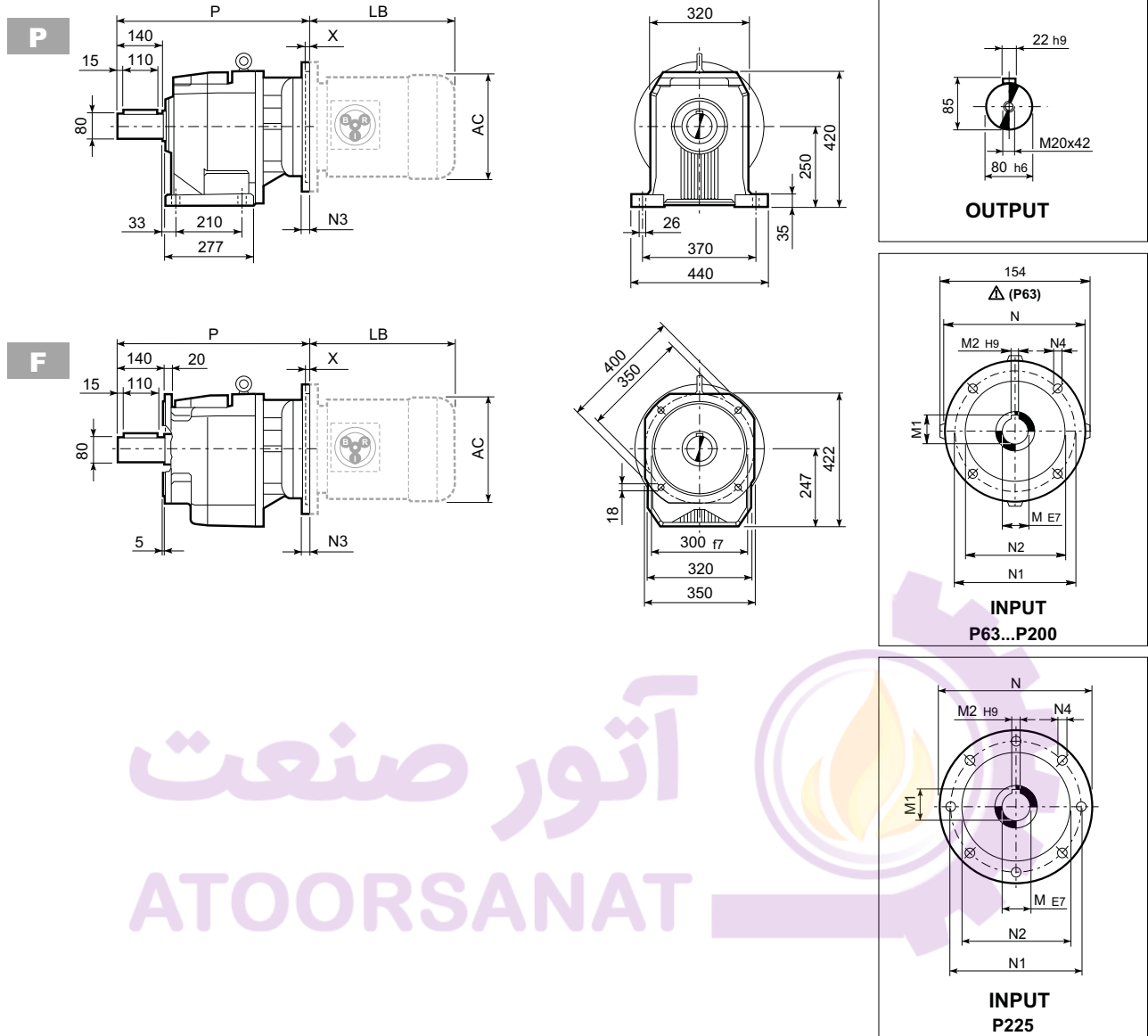
آتور صنعت
ATOORSANAT



C 80														
			AC	H	HF	L	AD	Kg	M...FD	Kg	M...FD		M...FA	
									M...FA		R	AD	R	AD
C 80 2/3	S3	M3S	195	347.5	344.5	742.5	142	139	838.5	146	160	155	160	142
C 80 2/3	S3	M3L	195	347.5	344.5	774.5	142	146	865.5	153	160	155	160	142
C 80 2/3	S4	M4	258	379	376	882.5	193	180	991.5	196	226	193	217	193
C 80 2/3	S4	M4LC	258	379	376	917.5	193	188	1016.5	204	226	193	217	193
C 80 2/3	S5	M5S	310	405	402	969	245	208	1109	238	266	245	247	245
C 80 2/3	S5	M5L	310	405	402	1013	245	224	1153	254	266	245	247	245
C 80 4	S1	M1S	138	319	316	709.5	108	132	772.5	135	103	132	124	108
C 80 4	S1	M1L	138	319	316	733.5	108	133	794.5	136	103	132	124	108
C 80 4	S2	M2S	156	328	325	761.5	119	137	832.5	141	129	143	134	119
C 80 4	S3	M3S	195	347.5	344.5	805.5	142	142	901.5	149	160	155	160	142
C 80 4	S3	M3L	195	347.5	344.5	837.5	142	149	928.5	156	160	155	160	142
C 80 4	S4	M4	258	379	376	945.5	193	183	1054.5	201	226	193	217	193

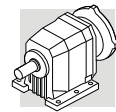


C 80...P(IEC)

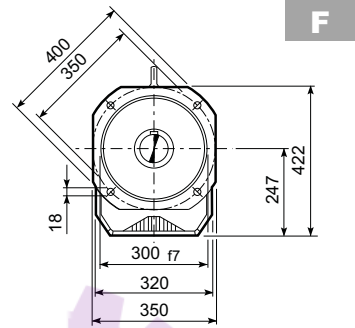
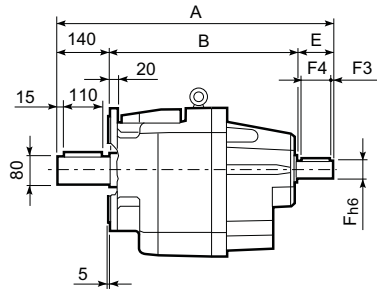
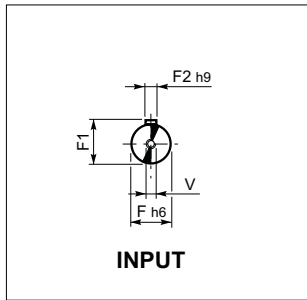
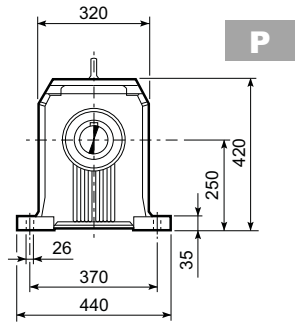
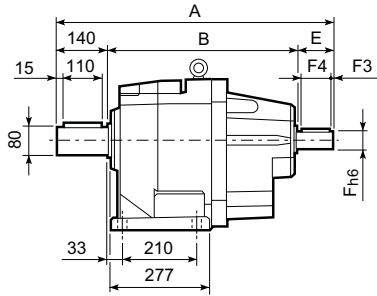
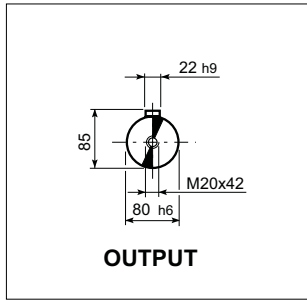


آتور صنعت
ATOORSANAT

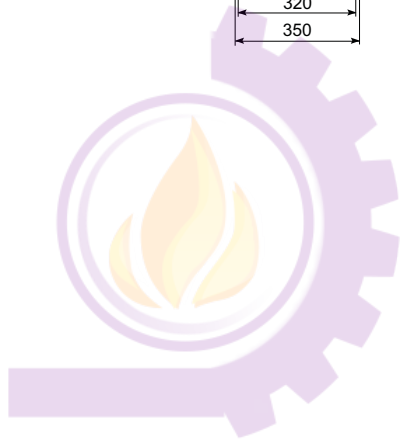
C 80													BN...			BN...FD BN...FA	
		M	M1	M2	N	N1	N2	N3	N4	X	P			LB	AC	LB	AC
C 80 2/3	P80	19	21.8	6	200	165	130	—	M10x12	4	533	135	BN 80	234	156	306	156
C 80 2/3	P90	24	27.3	8	200	165	130	—	M10x12	4	533	135	BN 90	276	176	359	176
C 80 2/3	P100	28	31.3	8	250	215	180	—	M12x16	4.5	543	139	BN 100	307	195	398	195
C 80 2/3	P112	28	31.3	8	250	215	180	—	M12x16	4.5	543	139	BN 112	325	219	424	219
C 80 2/3	P132	38	41.3	10	300	265	230	16	14	5	579.5	141	BN 132	413	258	523	258
C 80 2/3	P160	42	45.3	12	350	300	250	23	18	6	635	154	BN 160MR	452	258	562	258
													BN 160M/L	486	310	626	310
C 80 2/3	P180	48	51.8	14	350	300	250	23	18	6	635	154	BN 180M	530	310	670	310
													BN 180L	598	348	756	348
C 80 2/3	P200	55	59.3	16	400	350	300	—	M16x25	7	660	176	BN 200L	612	348	768	348
C 80 2/3	P225	60	64.4	18	450	400	350	25	18	6	705.5	178	BN 225	—	—	—	—
C 80 4	P63	11	12.8	4	140	115	95	—	M8x19	4	576.5	138	BN 63	184	121	249	121
C 80 4	P71	14	16.3	5	160	130	110	—	M8x16	4.5	576.5	138	BN 71	219	138	280	138
C 80 4	P80	19	21.8	6	200	165	130	—	M10x12	4	596	140	BN 80	234	156	306	156
C 80 4	P90	24	27.3	8	200	165	130	—	M10x12	4	596	140	BN 90	276	176	359	176
C 80 4	P100	28	31.3	8	250	215	180	—	M12x16	4.5	606	144	BN 100	307	195	398	195
C 80 4	P112	28	31.3	8	250	215	180	—	M12x16	4.5	606	144	BN 112	325	219	424	219
C 80 4	P132	38	41.3	10	300	265	230	16	M12x16	5	642.5	146	BN 132	413	258	523	258



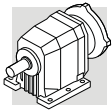
C 80...HS



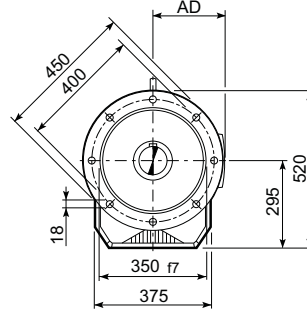
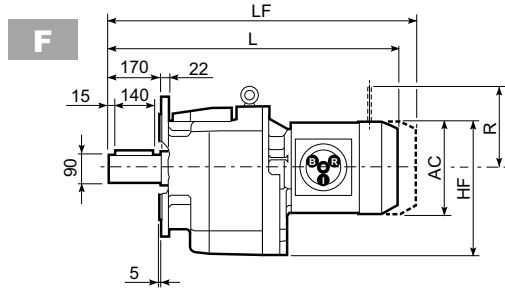
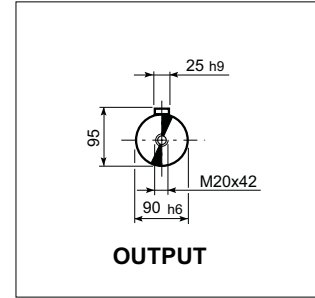
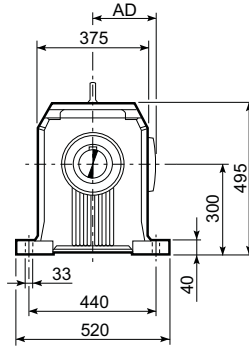
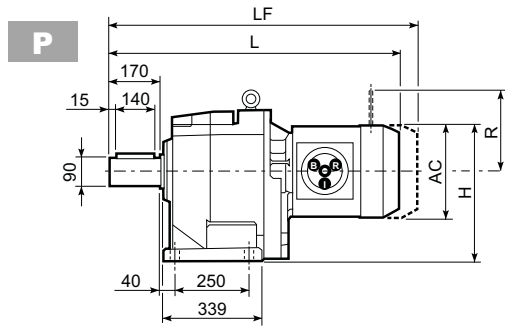
آتور صنعت
ATOORSANAT



C 80											
		A	B	E	F	F1	F2	F3	F4	V	Kg
C 80 2	HS	718.5	468.5	110	42	45	12	10	90	M12x28	154
C 80 3		718.5	468.5	110	42	45	12	10	90	M12x28	154
C 80 4		666.5	476.5	50	24	27	8	2.5	45	M8x19	141



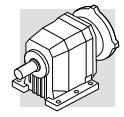
C 90...M



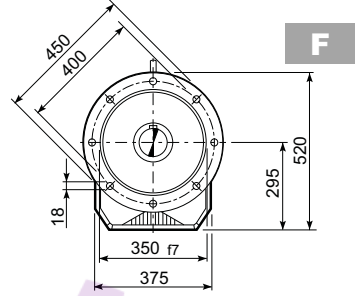
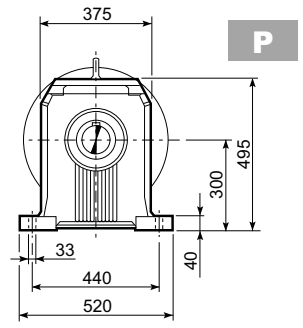
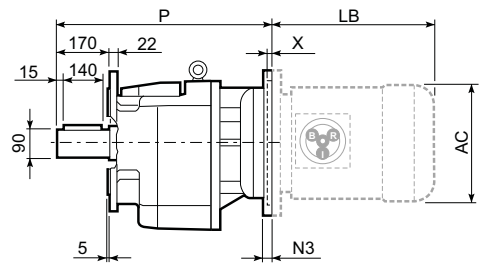
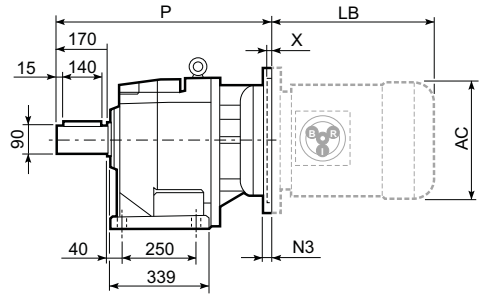
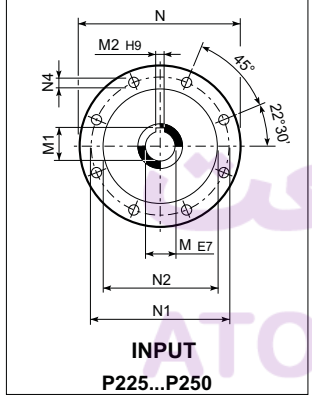
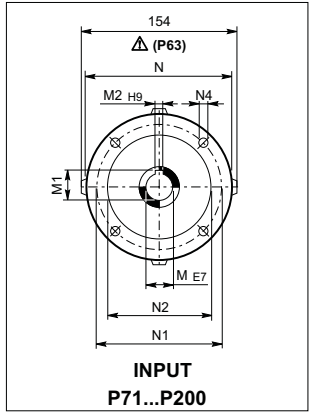
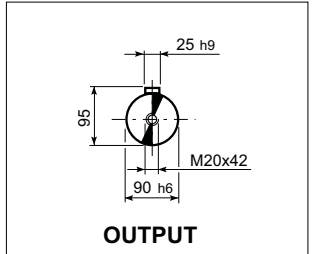
آتور صنعت
ATOORSANAT



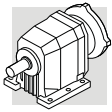
C 90													
	AC	H	HF	L	AD	Kg	M...FD	M...FA	M...FD		M...FA		
							LF	Kg	R	AD	R	AD	
C 90 2/3 S3 M3S	195	397.5	392.5	852	142	228	948	236	160	155	160	142	
C 90 2/3 S3 M3L	195	397.5	392.5	884	142	236	975	243	160	155	160	142	
C 90 2/3 S4 M4	258	429	424	992	193	270	1101	288	226	193	217	193	
C 90 2/3 S4 M4LC	258	429	424	1027	193	278	1126	296	226	193	217	193	
C 90 2/3 S5 M5S	310	455	450	1078.5	245	298	1218.5	328	266	245	247	245	
C 90 2/3 S5 M5L	310	455	450	1122.5	245	314	1262.5	344	266	245	247	245	
C 90 4 S2 M2S	156	378	373	891	119	234	962	238	129	143	134	119	
C 90 4 S3 M3S	195	397.5	392.5	935	142	239	1031	246	160	155	160	142	
C 90 4 S3 M3L	195	397.5	392.5	967	142	246	1058	253	160	155	160	142	
C 90 4 S4 M4	258	429	424	1075	193	280	1184	298	226	193	217	193	



C 90...P(IEC)

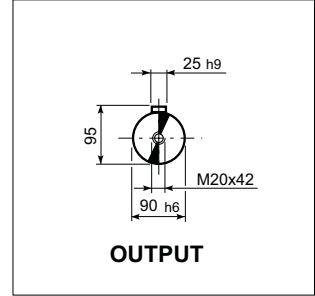
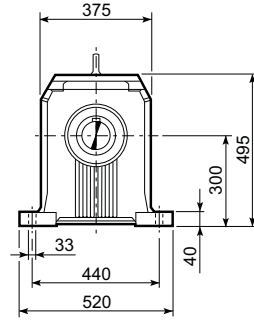
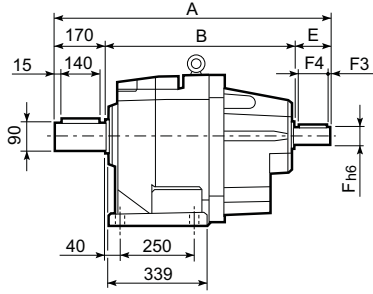


C 90													BN...		BN...FD BN...FA		
⚙️	⚙️	M	M1	M2	N	N1	N2	N3	N4	X	P	kg	⚙️	LB	AC	LB	AC
C 90 2/3	P80	19	21.8	6	200	165	130	—	M10x12	4	644.5	229	BN 80	234	156	306	156
C 90 2/3	P90	24	27.3	8	200	165	130	—	M10x12	4	644.5	229	BN 90	276	176	359	176
C 90 2/3	P100	28	31.3	8	250	215	180	—	M12x16	4.5	654.5	234	BN 100	307	195	398	195
C 90 2/3	P112	28	31.3	8	250	215	180	—	M12x16	4.5	654.5	234	BN 112	325	219	424	219
C 90 2/3	P132	38	41.3	10	300	265	230	16	14	5	691	236	BN 132	413	258	523	258
C 90 2/3	P160	42	45.3	12	350	300	250	23	18	6	746.5	251	BN 160MR	452	258	562	258
													BN 160M/L	486	310	626	310
													BN 180M	530	310	670	310
C 90 2/3	P180	48	51.8	14	350	300	250	23	18	6	746.5	251	BN 180L	598	348	756	348
													BN 200L	612	348	768	348
C 90 2/3	P200	55	59.3	16	400	350	300	—	M16x25	7	771.5	272	BN 225	—	—	—	—
C 90 2/3	P225	60	64.4	18	450	400	350	30	18	6	817	273	BN 250	—	—	—	—
C 90 2/3	P250	65	69.4	18	550	500	450	30	18	6	847	295	BN 71	219	138	280	138
C 90 4	P71	14	16.3	5	160	130	110	—	M8x16	4.5	707.5	236	BN 80	234	156	306	156
C 90 4	P80	19	21.8	6	200	165	130	—	M10x12	4	727	238	BN 90	276	176	359	176
C 90 4	P90	24	27.3	8	200	165	130	—	M10x12	4	727	238	BN 100	307	195	398	195
C 90 4	P100	28	31.3	8	250	215	180	—	M12x16	4.5	737	242	BN 112	325	219	424	219
C 90 4	P112	28	31.3	8	250	215	180	—	M12x16	4.5	737	242	BN 132	413	258	523	258
C 90 4	P132	38	41.3	10	300	265	230	16	14	5	773.5	244	BN 160MR	452	258	562	258
C 90 4	P160	42	45.3	12	350	300	250	23	18	5.5	824	248	BN 160M/L	486	310	626	310
													BN 180M	530	310	670	310
													BN 180L	598	348	756	348
C 90 4	P180	48	51.8	14	350	300	250	23	18	5.5	824	248					

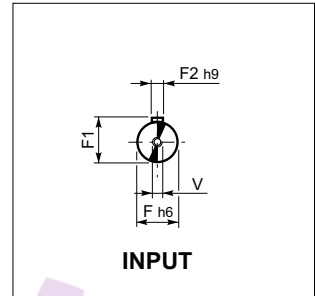
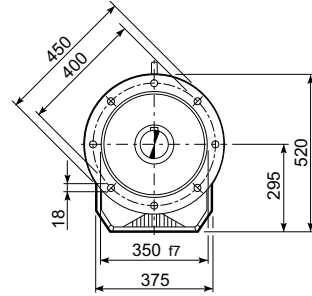
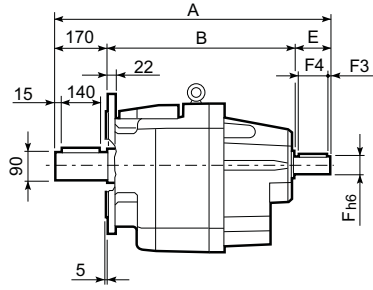


C 90...HS

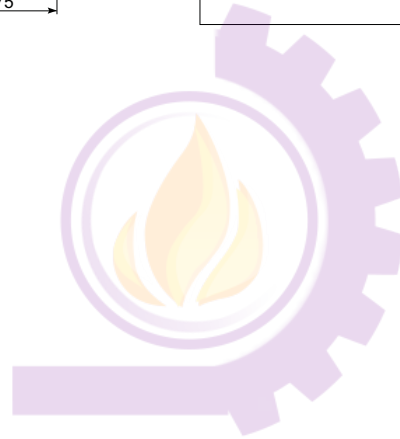
P



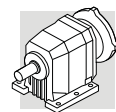
F



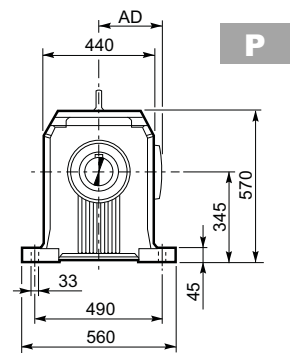
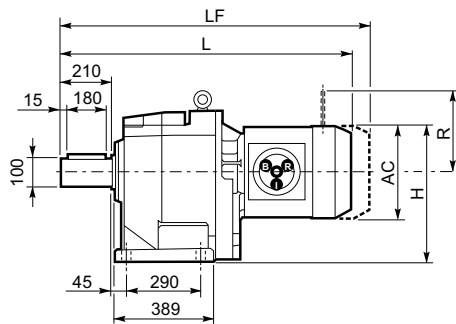
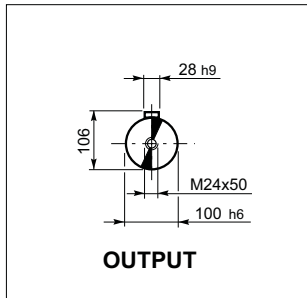
آتور صنعت
ATOORSANAT



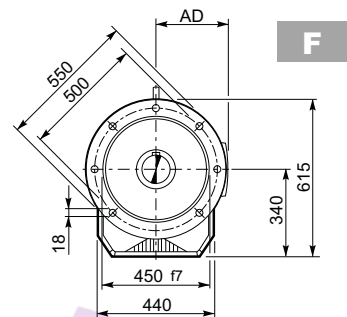
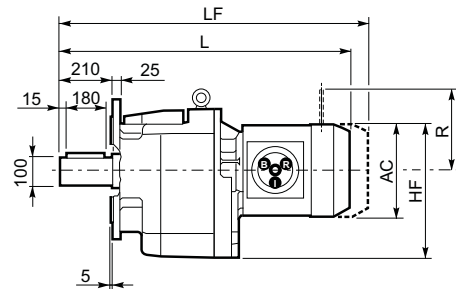
C 90											
		A	B	E	F	F1	F2	F3	F4	V	kg
C 90 2	HS	930.5	620.5	140	60	64	18	10	120	M16x36	273
C 90 3		930.5	620.5	140	60	64	18	10	120	M16x36	273
C 90 4		797	577	50	24	27	8	2.5	45	M8x19	240



C 100...M



P

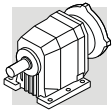


F

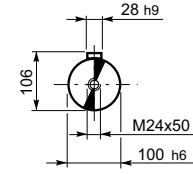
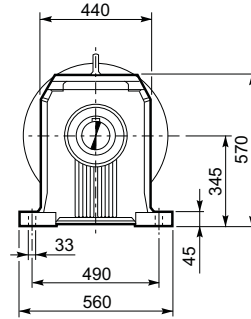
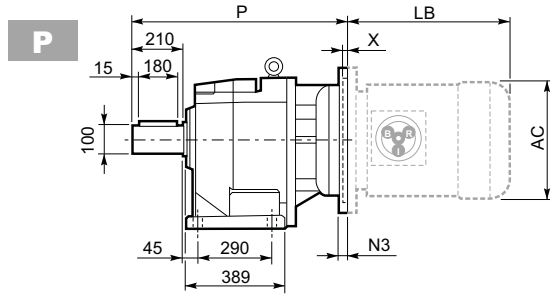
آتور صنعت
ATOORSANAT



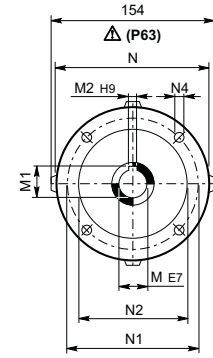
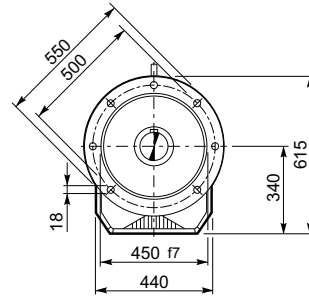
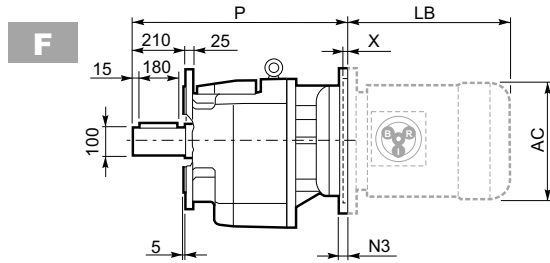
C 100														
			M...FD M...FA							M...FD		M...FA		
			AC	H	HF	L	AD		LF		R	AD	R	AD
C 100 2/3	S4	M4	258	474	469	1087	193	392	1196	410	226	193	217	193
C 100 2/3	S4	M4LC	258	474	469	1122	193	400	1221	418	226	193	217	193
C 100 2/3	S5	M5S	310	500	495	1173.5	245	420	1313.5	450	266	245	247	245
C 100 2/3	S5	M5L	310	500	495	1217.5	245	436	1357.5	466	266	245	247	245
C 100 4	S2	M2S	156	423	418	985.5	119	354	1056.5	357	129	143	134	119
C 100 4	S3	M3S	195	442.5	437.5	1029.5	142	358	1125.5	366	160	155	160	142
C 100 4	S3	M3L	195	442.5	437.5	1061.5	142	366	1152.5	373	160	155	160	142
C 100 4	S4	M4	258	474	469	1169.5	193	400	1278.5	418	226	193	217	193
C 100 4	S4	M4LC	258	474	469	1204.5	245	408	1303.5	426	226	193	217	193



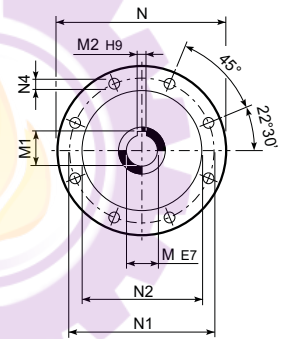
C 100...P(IEC)



OUTPUT



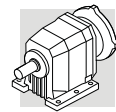
**INPUT
P80...P200**



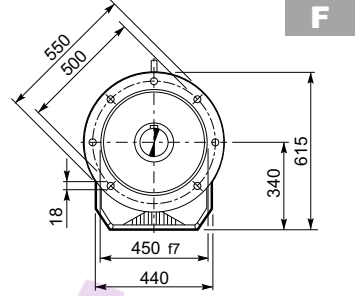
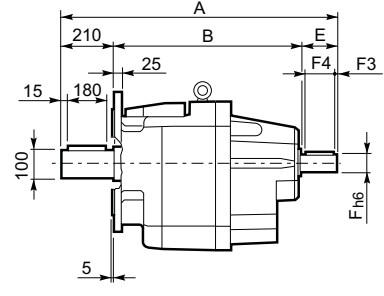
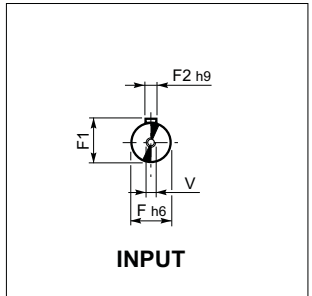
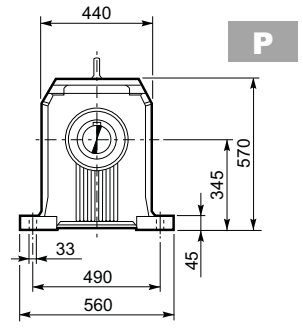
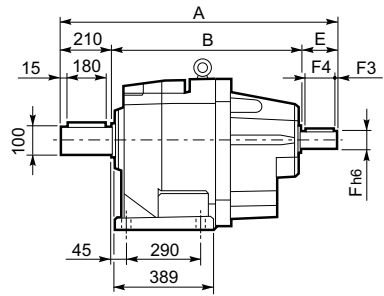
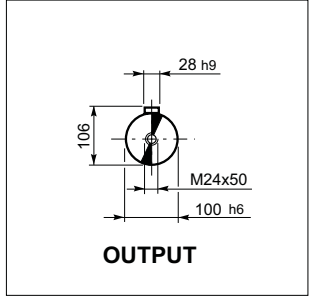
**INPUT
P225...P280**

آتور صنعت
ATOORSANAT

C 100												BN...		BN...FD BN...FA			
		M	M1	M2	N	N1	N2	N3	N4	X	P			LB	AC	LB	AC
C 100 2/3	P100	28	31.3	8	250	215	180	—	M12x16	4.5	749.5	364	BN 100	307	195	398	195
C 100 2/3	P112	28	31.3	8	250	215	180	—	M12x16	4.5	749.5	364	BN 112	325	219	424	219
C 100 2/3	P132	38	41.3	10	300	265	230	16	14	5	786	367	BN 132	413	258	523	258
C 100 2/3	P160	42	45.3	12	350	300	250	23	18	6	841.5	382	BN 160MR	452	258	562	258
													BN 160M/L	486	310	626	310
C 100 2/3	P180	48	51.8	14	350	300	250	23	18	6	841.5	382	BN 180M	530	310	670	310
													BN 180L	598	348	756	348
													BN 200L	612	348	768	348
C 100 2/3	P200	55	59.3	16	400	350	300	—	M16x25	7	866.5	403	BN 225	—	—	—	—
C 100 2/3	P225	60	64.4	18	450	400	350	30	18	7	912	403	BN 250	—	—	—	—
C 100 2/3	P250	65	69.4	18	550	500	450	30	18	7	942	426	BN 280	—	—	—	—
C 100 2/3	P280	75	79.9	20	550	500	450	30	18	6	942	426	BN 80	234	156	306	156
C 100 4	P80	19	21.8	6	200	165	130	—	M10x12	4	822.5	371	BN 90	276	176	359	176
C 100 4	P90	24	27.3	8	200	165	130	—	M10x12	4	822.5	371	BN 100	307	195	398	195
C 100 4	P100	28	31.3	8	250	215	180	—	M12x16	4.5	832.5	375	BN 112	325	219	424	219
C 100 4	P112	28	31.3	8	250	215	180	—	M12x16	4.5	832.5	375	BN 132	413	258	523	258
C 100 4	P132	38	41.3	10	300	265	230	16	14	5	869	377	BN 160MR	452	258	562	258
C 100 4	P160	42	45.3	12	350	300	250	23	18	5.5	919.5	381	BN 160M/L	486	310	626	310
													BN 180M	530	310	670	310
C 100 4	P180	48	51.8	14	350	300	250	23	18	5.5	919.5	381	BN 180L	598	348	756	348



C 100...HS



آتور صنعت
ATOORSANAT



C 100											
		A	B	E	F	F1	F2	F3	F4	V	Kg
C 100 2	HS	1025.5	676	140	60	64	18	10	120	M16x36	409
C 100 3		1025.5	676	140	60	64	18	10	120	M16x36	409
C 100 4		892	632	50	24	27	8	2.5	45	M8x19	372