

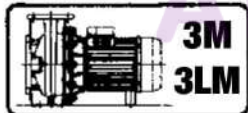
## 3 - 3L SERIES

### CENTRIFUGAL ELECTRIC PUMPS STANDARDISED IN COMPLIANCE WITH EN 733 (EX DIN 24255)

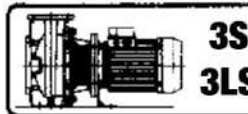
Standardised centrifugal electric pumps built in stainless steel AISI 304 (3 SERIES) and AISI 316 (3L SERIES).



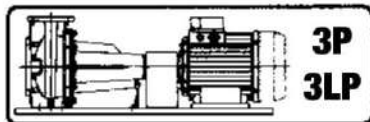
Available in 4 versions with 2 and 4 pole motors



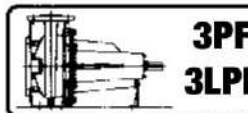
Monobloc with extended motor shaft



Monobloc with standard motor and rigid joint



On base, with standard motor and flexible coupling



Pump with bare shaft

#### SPECIAL VERSIONS

- 3Z SERIES: electropump inclusive of rotary bracket and body without supporting foot.

#### ACCESSORIES (On request)

- Counter-flanges available in the following materials:
  - galvanised
  - AISI 304
  - AISI 316

#### APPLICATIONS

- Water supply to civil, agricultural and industrial plants
- Pressure boosting
- Fire-fighting, heating and air conditioning systems
- Pumping industrial liquids
- Irrigation
- Refrigeration towers
- Swimming pools
- Emptying
- Washing plants

#### TECHNICAL DETAILS

- Highly resistant structure
- Hydroforming process EBARA patent

#### PUMP TECHNICAL DATA

- Maximum working pressure: 10 bar
- Temperature of the liquid:
  - 10°C ÷ +90°C
  - 10°C ÷ +110°C (L-H-HS-HW-HSW versions)
  - 20°C ÷ +120°C (E-ES versions)
- MEI > 0.4

For further information please see our Data Book on the web site [www.ebara-europe.com](http://www.ebara-europe.com)

#### MOTOR TECHNICAL DATA

- High efficiency motors
  - IE2 starting from 0.75kW up to 5.5kW
  - IE3 starting from 7.5kW for 3M(L)4)
- Self-ventilated 2 and 4 poles asynchronous motor
- Class of insulation F (B for high temperatures)
- IP 55 protection degree
- 230V ±10% 50Hz single phase voltage, 230/400V ±10% (up 4 kW included) three phase voltage, 50 Hz, 400/690V ±10% (from 5.5 kW and above) three phase voltage, 50 Hz
- Protection is user's responsibility

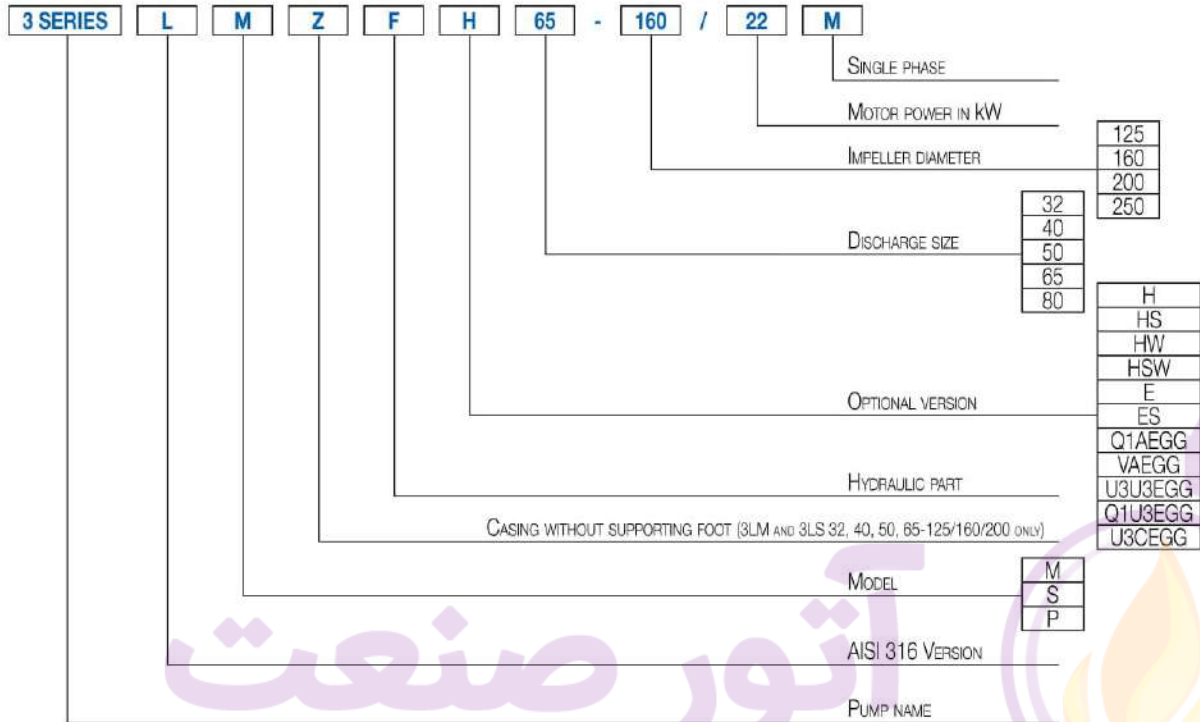
#### MATERIALS

- Pump casing and casing cover in:
  - AISI 304 for 3 SERIES 32-125/160/200  
40-125/160/200  
50-125/160/200  
65-125/160/200
  - AISI 316L for 3L SERIES 32-125/160/200  
40-125/160/200  
50-125/160/200  
65-125/160/200
  - AISI 316 microcasted for 3L SERIES 65-250  
80-160/200/250
- Impeller in:
  - AISI 304 for 3 SERIES 32-125/160/200  
40-125/160/200  
50-125/160/200
  - AISI 316L for 3L SERIES 32-125/160/200  
40-125/160/200  
50-125/160/200
  - AISI 316 microcasted for 3 SERIES 65-125/160/200  
3L SERIES 65-125/160/200  
65-250  
80-160/200/250
- Mechanical seal standard in:
  - Carbon/Ceramic/NBR for 3 SERIES
  - Silicon Carbide/Silicon Carbide/FKM for 3L SERIES
  - special mechanical seals available on request, see p. 92 for 3-3L SERIES 2 poles, p.130 for 3-3L SERIES 4 poles

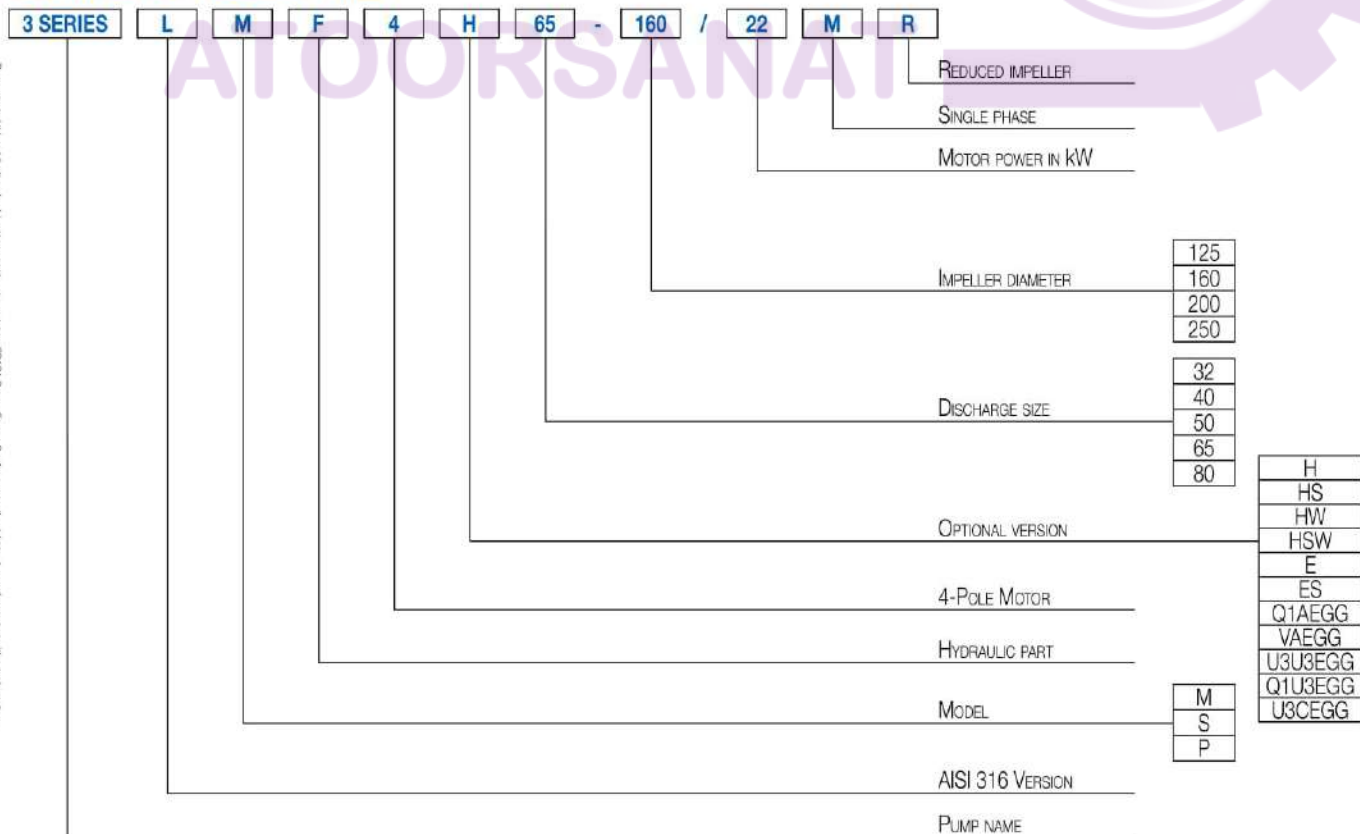
# 3 - 3L SERIES

CENTRIFUGAL ELECTRIC PUMPS STANDARDISED IN COMPLIANCE WITH EN 733  
(EX DIN 24255)

## IDENTIFICATION CODE - 2 Poles



## IDENTIFICATION CODE - 4 Poles



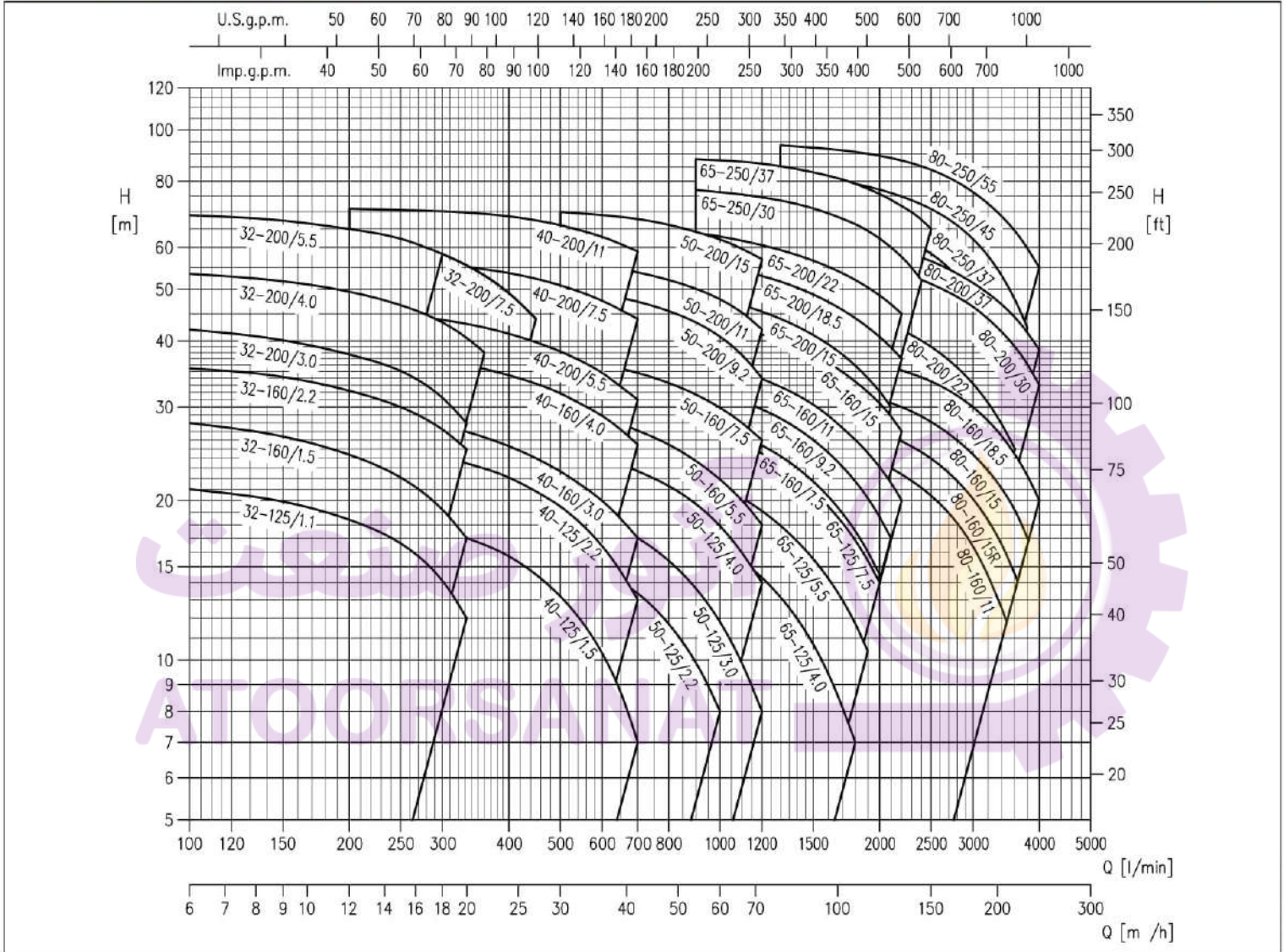
The content of this publication should not be considered mandatory. EBARA Pumping Europe S.p.A. reserves the right to change the content without prior notice.

# 3 - 3L SERIES

CENTRIFUGAL ELECTRIC PUMPS STANDARDISED IN COMPLIANCE WITH EN 733 (EX DIN 24255)

PERFORMANCE RANGE 3(L) SERIES at 2900 min<sup>-1</sup> (according to ISO 9906 Attachment A)

2 Poles



Versions	3M	3S	3P	3LM	3LMZ	3LS	3LSZ	3LP
32-125	■	■	■	■	◆	■	◆	■
32-160	■	■	■	■	◆	■	◆	■
32-200	■	■	■	■	◆	■	◆	■
40-125	■	■	■	■	◆	■	◆	■
40-160	■	■	■	■	◆	■	◆	■
40-200	■	■	■	■	◆	■	◆	■
50-125	■	■	■	■	◆	■	◆	■
50-160	■	■	■	■	◆	■	◆	■
50-200	■	■	■	■	◆	■	◆	■
65-125	■	■	■	■	◆	■	◆	■
65-160	■	■	■	■	◆	■	◆	■
65-200	■	■	■	■	◆	■	◆	■
65-250	-	-	-	-	-	●	-	●
80-160	-	-	-	●	-	●	-	●
80-200	-	-	-	-	-	●	-	●
80-250	-	-	-	-	-	▲	-	▲

- = Models also available in H-HS-HW-HSW-E version
- = Models also available in H-HW-HSW-E version
- ▲ = Models also available in H-HW-HSW-ES version
- ◆ = Models available only in standard version

The content of this publication should not be considered mandatory. EBARA Pumps Europe S.p.A. reserves the right to change the content without prior notice.

# 3 - 3L SERIES

**CENTRIFUGAL ELECTRIC PUMPS STANDARDISED IN COMPLIANCE WITH EN 733 (EX DIN 24255)**

**PERFORMANCE CHART 32-40-50**

**2 Poles**

Model	P <sub>1</sub>		Q = Flow Rate														
	[HP]	[kW]	l/min m <sup>3</sup> /h	100	150	200	300	333	360	400	450	500	600	700	800	1000	1200
				6	9	12	18	20	22	24	27	30	36	42	48	60	72
H=Head [m]																	
3(.) SERIES 32-125/1.1(M)	1.5	1.1	21.0	19.9	18.4	14.1	12.0	-	-	-	-	-	-	-	-	-	-
3(.) SERIES 32-160/1.5(M)	2	1.5	28.0	26.5	24.5	19.2	17.0	-	-	-	-	-	-	-	-	-	-
3(.) SERIES 32-160/2.2(M)	3	2.2	35.5	34.0	32.0	27.0	25.0	-	-	-	-	-	-	-	-	-	-
3(.) SERIES 32-200/3.0	4	3	42.0	40.0	37.5	31.0	28.0	-	-	-	-	-	-	-	-	-	-
3(.) SERIES 32-200/4.0	5.5	4	53.5	52.0	49.5	43.5	40.5	38.0	-	-	-	-	-	-	-	-	-
3(.) SERIES 32-200/5.5	7.5	5.5	69.0	67.5	65.0	58.5	-	-	-	-	-	-	-	-	-	-	-
3(.) SERIES 32-200/7.5	10	7.5	69.0	67.5	65.0	58.5	55.5	53.0	49.0	44.0	-	-	-	-	-	-	-
3(.) SERIES 40-125/1.5(M)	2	1.5	-	-	19.0	17.6	17.0	16.5	15.7	14.5	13.2	10.3	7.0	-	-	-	-
3(.) SERIES 40-125/2.2(M)	3	2.2	-	-	25.5	24.0	23.5	23.0	22.0	21.0	19.5	16.4	13.0	-	-	-	-
3(.) SERIES 40-160/3.0	4	3	-	-	29.5	27.5	27.0	26.5	25.5	24.0	22.5	20.0	17.0	-	-	-	-
3(.) SERIES 40-160/4.0	5.5	4	-	-	38.5	37.0	36.0	35.5	34.5	33.0	32.0	29.0	25.5	-	-	-	-
3(.) SERIES 40-200/5.5	7.5	5.5	-	-	45.5	44.0	43.0	42.5	41.0	39.5	38.0	35.0	31.0	-	-	-	-
3(.) SERIES 40-200/7.5	10	7.5	-	-	57.0	55.5	55.0	54.5	53.5	52.5	51.0	47.5	44.0	-	-	-	-
3(.) SERIES 40-200/11	15	11	-	-	71.0	70.0	70.0	69.5	68.5	67.5	66.0	63.0	59.0	-	-	-	-
3(.) SERIES 50-125/2.2(M)	3	2.2	-	-	-	-	-	-	17.5	17.0	16.3	14.9	13.4	11.7	8.0	-	-
3(.) SERIES 50-125/3.0	4	3	-	-	-	-	-	-	20.5	20.0	19.6	18.4	17.0	15.4	11.8	8.0	-
3(.) SERIES 50-125/4.0	5.5	4	-	-	-	-	-	-	26.0	25.5	25.0	24.0	22.5	21.5	17.9	14.0	-
3(.) SERIES 50-160/5.5	7.5	5.5	-	-	-	-	-	-	31.0	30.5	30.0	28.5	27.0	25.5	22.0	18.0	-
3(.) SERIES 50-160/7.5	10	7.5	-	-	-	-	-	-	38.5	38.0	37.5	36.0	35.0	33.5	30.0	26.0	-
3(.) SERIES 50-200/9.2	12.5	9.2	-	-	-	-	-	-	-	-	50.0	49.0	47.5	45.5	40.5	34.0	-
3(.) SERIES 50-200/11	15	11	-	-	-	-	-	-	-	-	56.0	55.0	54.0	52.0	48.0	42.0	-
3(.) SERIES 50-200/15	20	15	-	-	-	-	-	-	-	-	70.0	69.0	68.0	66.0	62.0	57.0	-

(M) Single phase version only for 3M SERIES

**PERFORMANCE CHART 65-80**

**2 Poles**

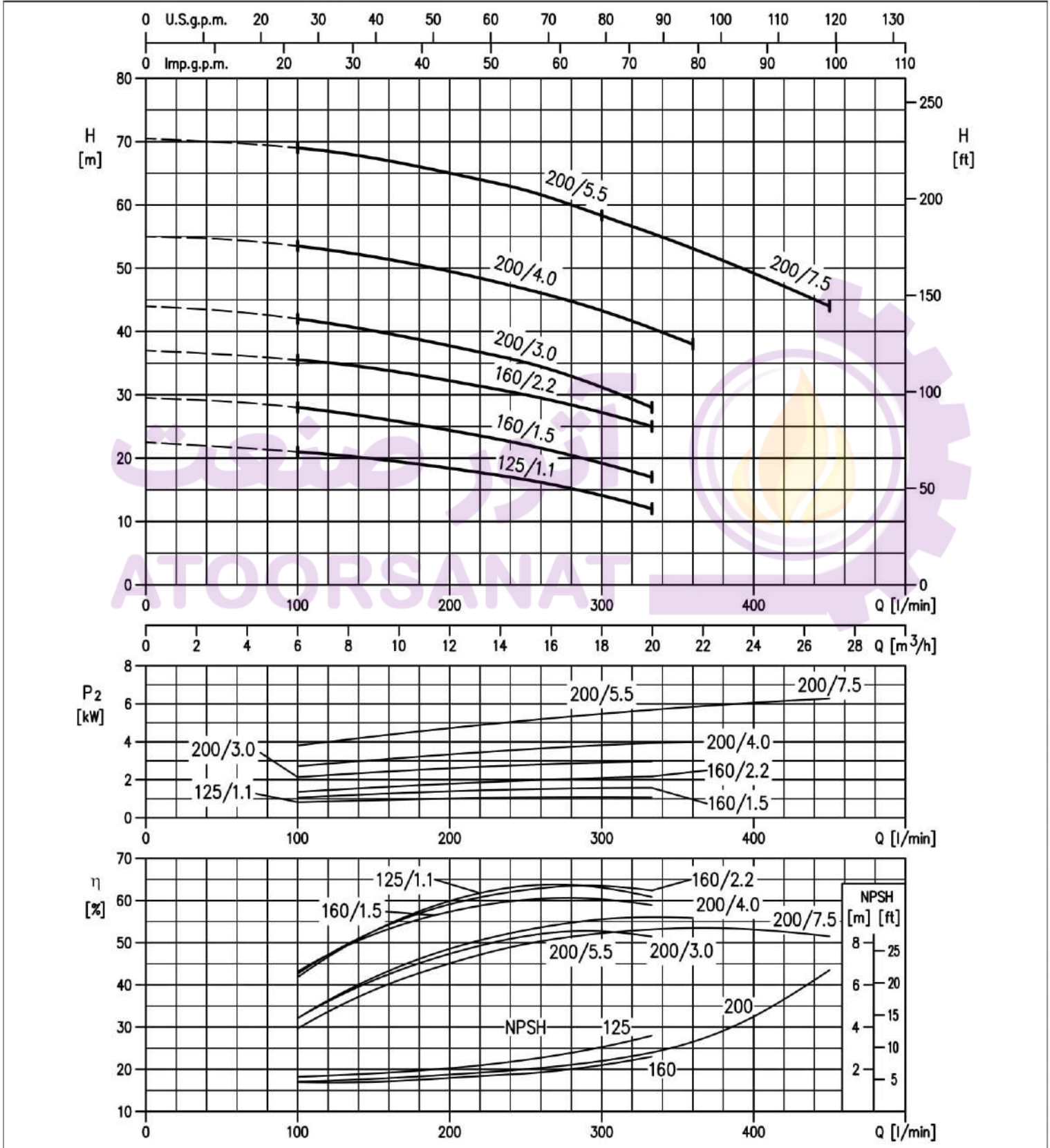
Model	P <sub>1</sub>		Q = Flow Rate																	
	[HP]	[kW]	l/min m <sup>3</sup> /h	600	700	900	1300	1500	1700	1900	2100	2200	2300	2400	2500	3000	3400	3600	3800	4000
				36	42	54	78	90	102	114	126	132	138	144	150	180	204	216	228	240
H=Head [m]																				
3(.) SERIES 65-125/4.0	5.5	4	19.8	19.0	17.3	13.3	11.0	8.6	6.3	-	-	-	-	-	-	-	-	-	-	-
3(.) SERIES 65-125/5.5	7.5	5.5	-	24.0	22.2	18.0	15.7	13.3	10.8	8.0	-	-	-	-	-	-	-	-	-	-
3(.) SERIES 65-125/7.5	10	7.5	-	29.5	27.8	23.5	21.1	18.7	16.1	13.4	12.0	-	-	-	-	-	-	-	-	-
3(.) SERIES 65-160/7.5	10	7.5	-	30.0	28.6	24.8	22.5	19.9	17.1	14.2	-	-	-	-	-	-	-	-	-	-
3(.) SERIES 65-160/9.2	12.5	9.2	-	34.5	32.8	28.8	26.5	23.9	21.1	18.3	16.8	-	-	-	-	-	-	-	-	-
3(.) SERIES 65-160/11	15	11	-	38.5	37.1	33.1	30.9	28.4	25.8	23.0	21.5	20.0	-	-	-	-	-	-	-	-
3(.) SERIES 65-160/15	20	15	-	45.5	44.0	40.0	37.8	35.3	32.6	29.6	28.0	26.5	-	-	-	-	-	-	-	-
3(.) SERIES 65-200/15	20	15	-	51.0	49.0	44.0	41.5	38.4	35.3	31.8	30.0	-	-	-	-	-	-	-	-	-
3(.) SERIES 65-200/18.5	25	18.5	-	58.5	56.5	51.5	49.0	46.0	43.0	39.7	38.0	36.3	-	-	-	-	-	-	-	-
3(.) SERIES 65-200/22	30	22	-	65.5	64.0	59.5	57.0	54.0	51.0	48.0	46.5	45.0	-	-	-	-	-	-	-	-
3(.) SERIES 65-250/30	40	30	-	-	77.0	73.5	71.0	68.0	64.5	60.0	57.5	55.0	52.0	-	-	-	-	-	-	-
3(.) SERIES 65-250/37	50	37	-	-	88.0	85.5	83.0	80.5	77.5	74.0	72.0	70.0	67.5	65.0	-	-	-	-	-	-
3(.) SERIES 80-160/11	15	11	-	-	-	27.3	26.4	25.4	24.2	23.0	22.4	21.8	21.1	20.4	16.4	12.5	-	-	-	-
3(.) SERIES 80-160/15R	20	15	-	-	-	30.5	29.7	28.8	27.7	26.5	25.9	25.3	24.6	24.0	20.1	16.5	14.5	-	-	-
3(.) SERIES 80-160/15	20	15	-	-	-	34.0	33.3	32.5	31.5	30.5	30.0	29.4	28.8	28.1	24.4	21.0	19.1	17.0	-	-
3(.) SERIES 80-160/18.5	25	18.5	-	-	-	39.0	38.4	37.6	36.7	35.7	35.2	34.7	34.1	33.5	30.0	26.4	24.4	22.3	20.0	-
3(.) SERIES 80-200/22	30	22	-	-	-	48.0	47.0	45.5	44.5	43.0	42.0	41.0	40.0	39.0	33.2	27.8	25.0	-	-	-
3(.) SERIES 80-200/30	40	30	-	-	-	58.5	58.0	57.0	56.0	54.5	54.0	53.0	52.0	51.0	46.5	41.5	39.0	36.1	33.0	-
3(.) SERIES 80-200/37	50	37	-	-	-	64.0	63.0	62.0	61.0	59.5	59.0	58.0	57.5	56.5	51.5	47.0	44.5	41.5	38.5	-
3(.) SERIES 80-250/37	50	37	-	-	-	71.5	70.5	68.5	66.5	64.0	63.0	61.5	60.0	58.5	48.5	38.0	-	-	-	-
3(.) SERIES 80-250/45	60	45	-	-	-	82.5	81.5	80.0	78.0	76.0	75.0	73.5	72.5	71.0	62.0	53.0	48.0	42.5	-	-
3(.) SERIES 80-250/55	75	55	-	-	-	93.5	92.5	91.5	90.0	88.5	87.5	86.5	85.5	84.0	76.5	68.5	64.5	60.0	55.0	-

# 3 - 3L SERIES

CENTRIFUGAL ELECTRIC PUMPS STANDARDISED IN COMPLIANCE WITH EN 733 (EX DIN 24255)

PERFORMANCE CURVES 3(L)M-3(L)S-3(L)P 32 SERIES at 2900 min<sup>-1</sup> (according to ISO 9906 Attachment A)

2 Poles



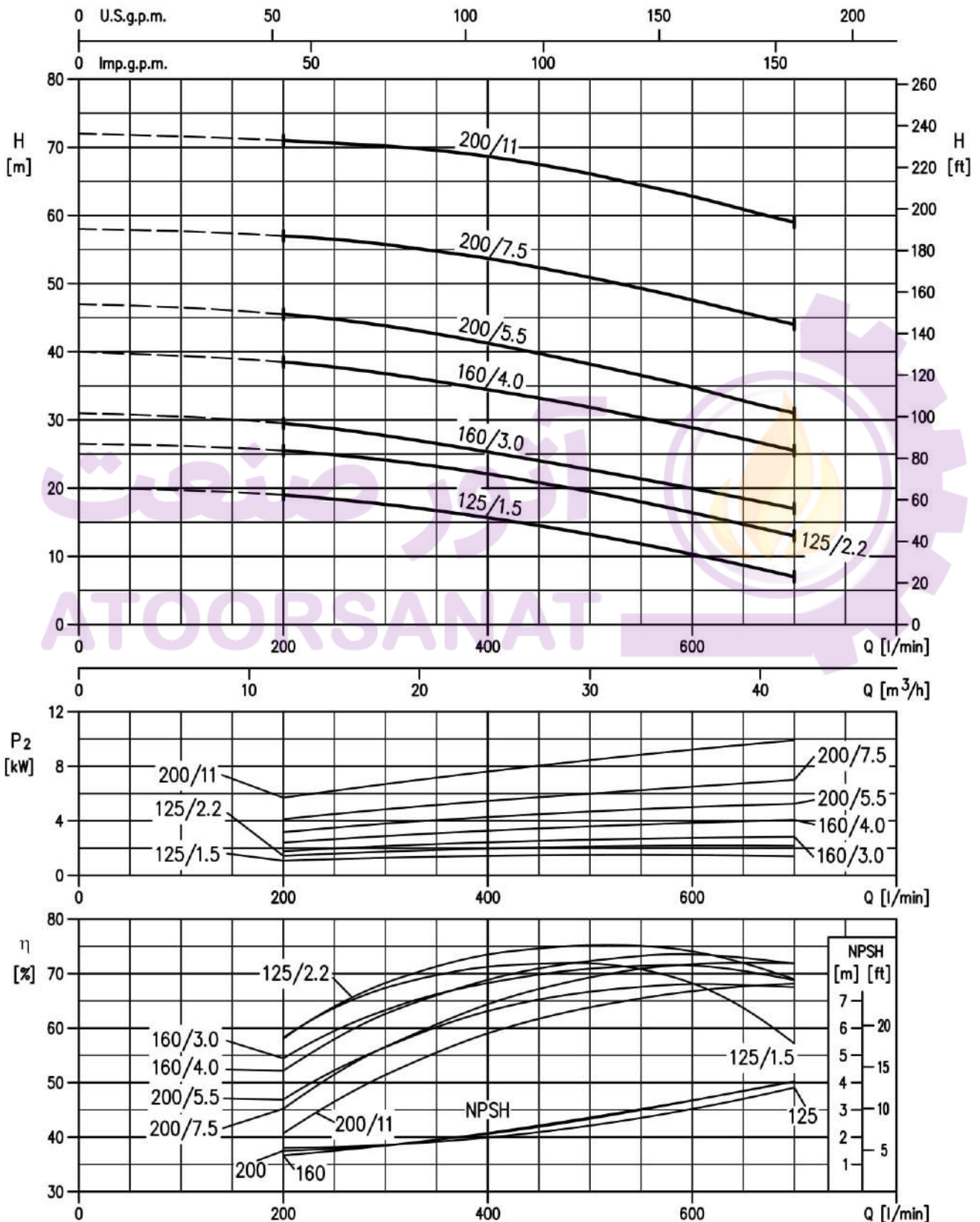
The content of this publication should not be considered mandatory. EBARA Pumps Europe S.p.A. reserves the right to change the content without prior notice.

# 3 - 3L SERIES

CENTRIFUGAL ELECTRIC PUMPS STANDARDISED IN COMPLIANCE WITH EN 733 (EX DIN 24255)

PERFORMANCE CURVES 3(L)M-3(L)S-3(L)P 40 SERIES at 2900 min<sup>-1</sup> (according to ISO 9906 Attachment A)

2 Poles



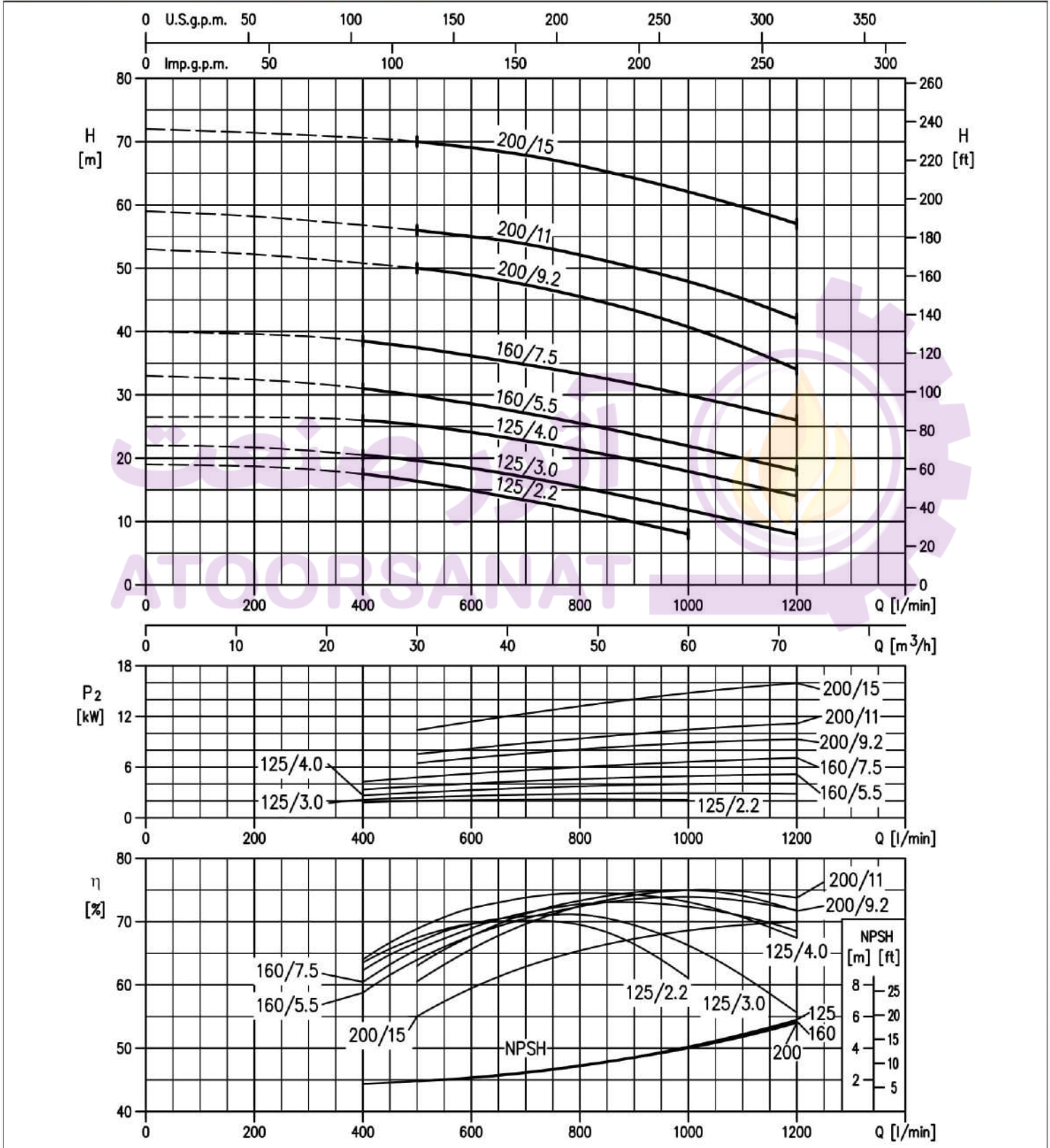
The content of this publication should not be considered mandatory. EBARA Pumps Europe S.p.A. reserves the right to change the content without prior notice.

# 3 - 3L SERIES

CENTRIFUGAL ELECTRIC PUMPS STANDARDISED IN COMPLIANCE WITH EN 733 (EX DIN 24255)

PERFORMANCE CURVES 3(L)M-3(L)S-3(L)P 50 SERIES at 2900 min<sup>-1</sup> (according to ISO 9906 Attachment A)

2 Poles



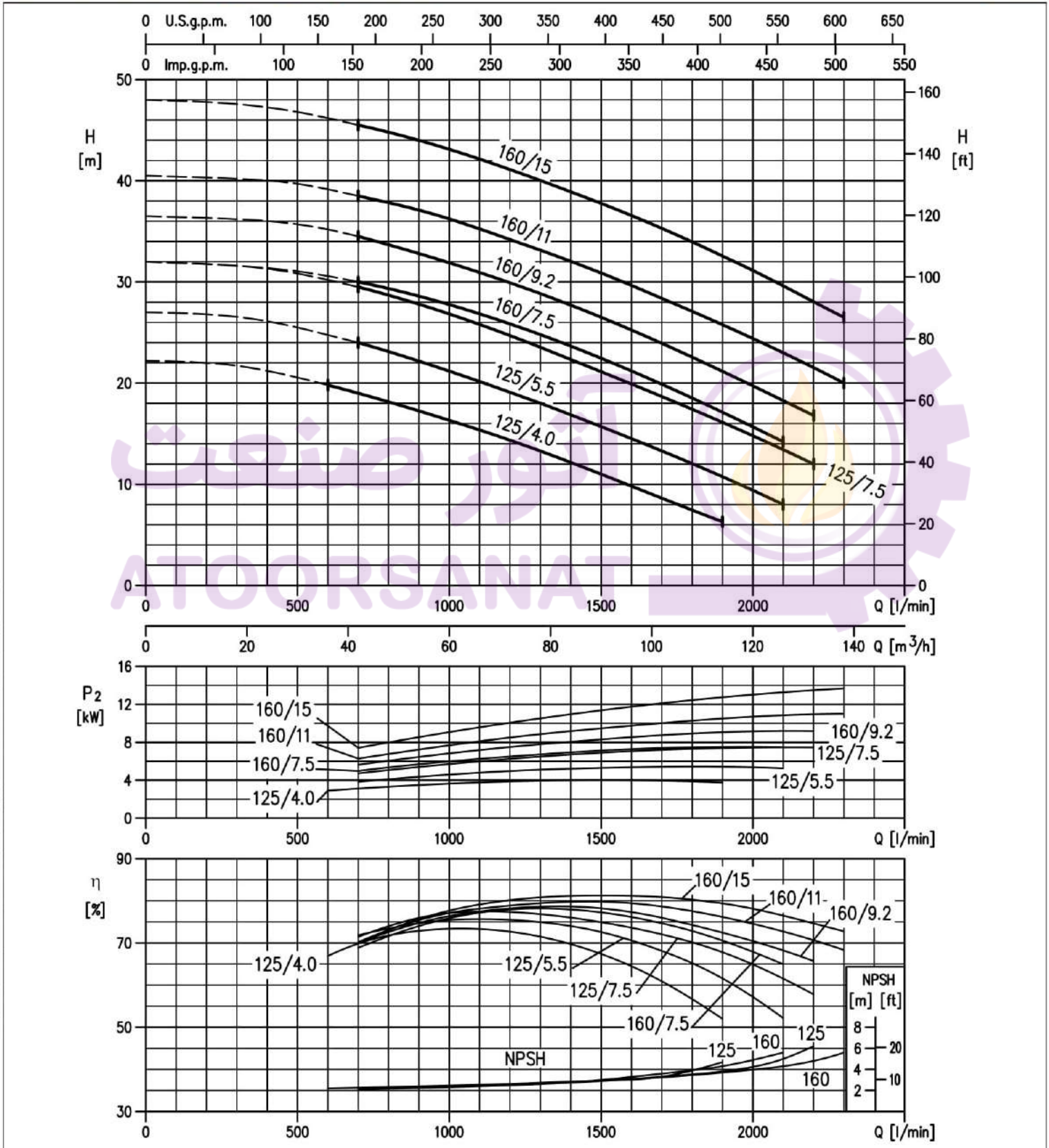
The content of this publication should not be considered mandatory. EBARA Pumps Europe S.p.A. reserves the right to change the content without prior notice.

# 3 - 3L SERIES

CENTRIFUGAL ELECTRIC PUMPS STANDARDISED IN COMPLIANCE WITH EN 733 (EX DIN 24255)

PERFORMANCE CURVES 3(L)M-3(L)S-3(L)P 65 SERIES at 2900 min<sup>-1</sup> (according to ISO 9906 Attachment A)

2 Poles



The content of this publication should not be considered mandatory. EBARA Pumps Europe S.p.A. reserves the right to change the content without prior notice.

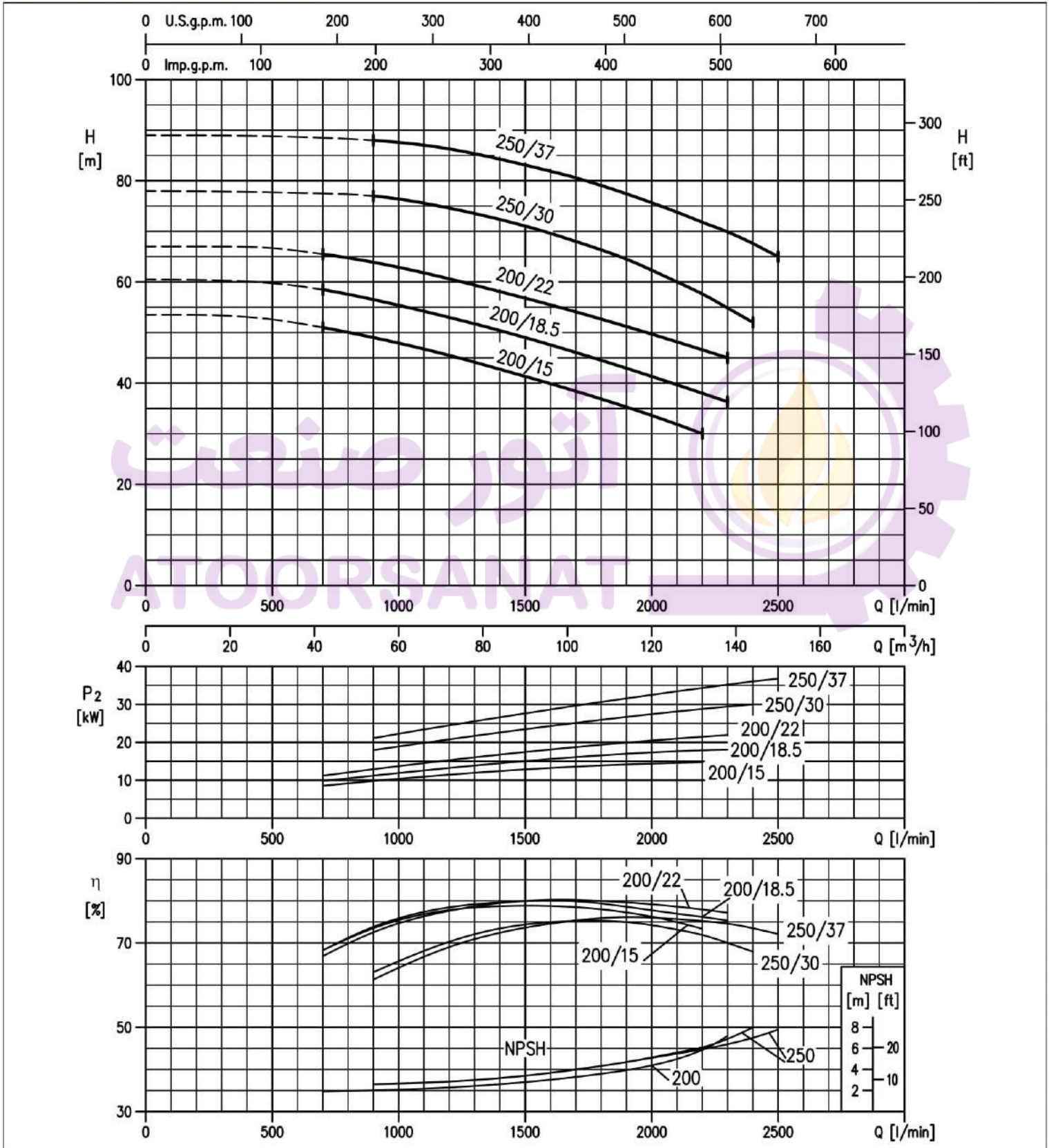


# 3 - 3L SERIES

CENTRIFUGAL ELECTRIC PUMPS STANDARDISED IN COMPLIANCE WITH EN 733 (EX DIN 24255)

PERFORMANCE CURVES 3L 65 SERIES at 2900 min<sup>-1</sup> (according to ISO 9906 Attachment A)

2 Poles



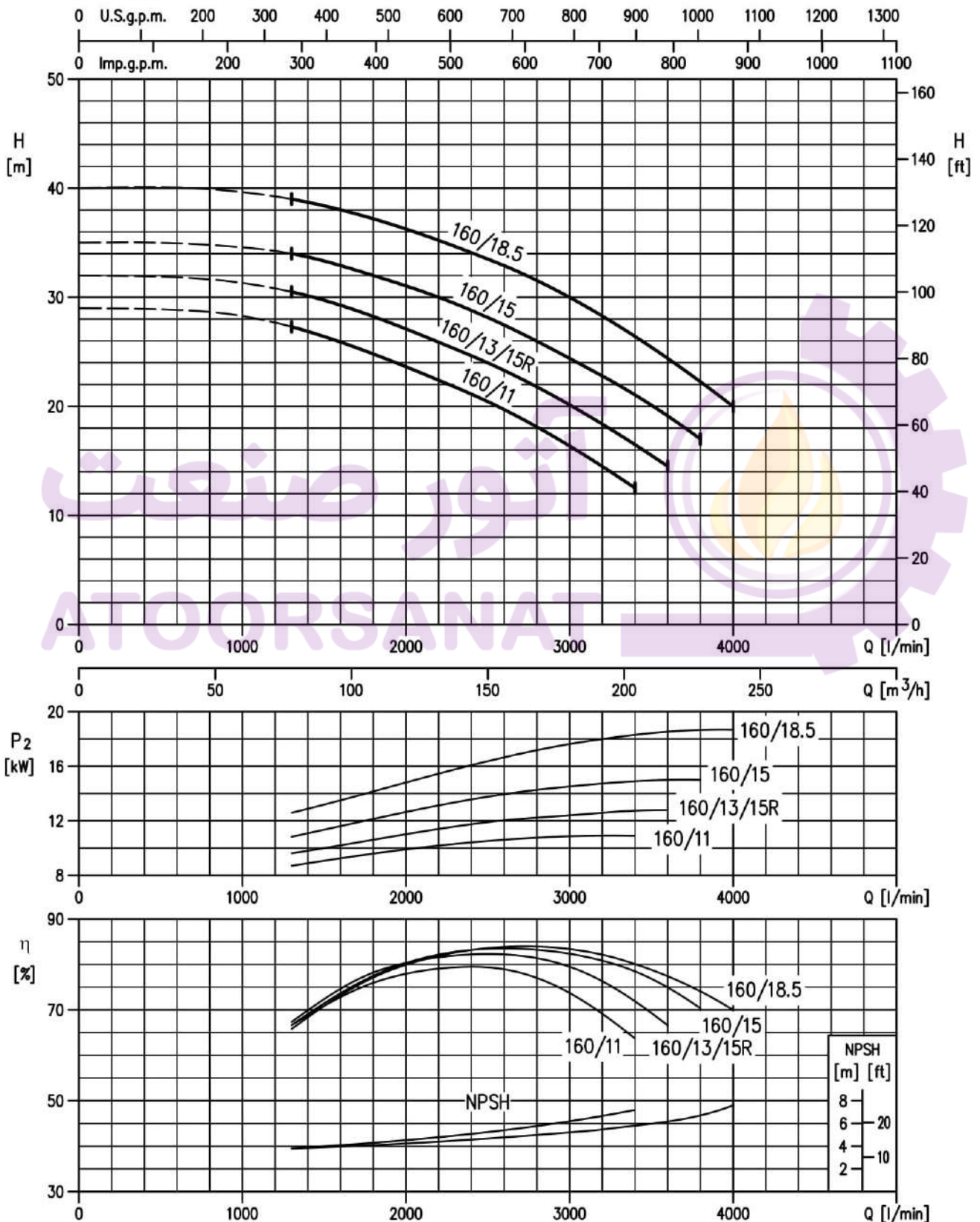
The content of this publication should not be considered mandatory. EBARA Pumps Europe S.p.A. reserves the right to change the content without prior notice.

# 3 - 3L SERIES

CENTRIFUGAL ELECTRIC PUMPS STANDARDISED IN COMPLIANCE WITH EN 733 (EX DIN 24255)

PERFORMANCE CURVES 3L 80 SERIES at 2900 min<sup>-1</sup> (according to ISO 9906 Attachment A)

2 Poles



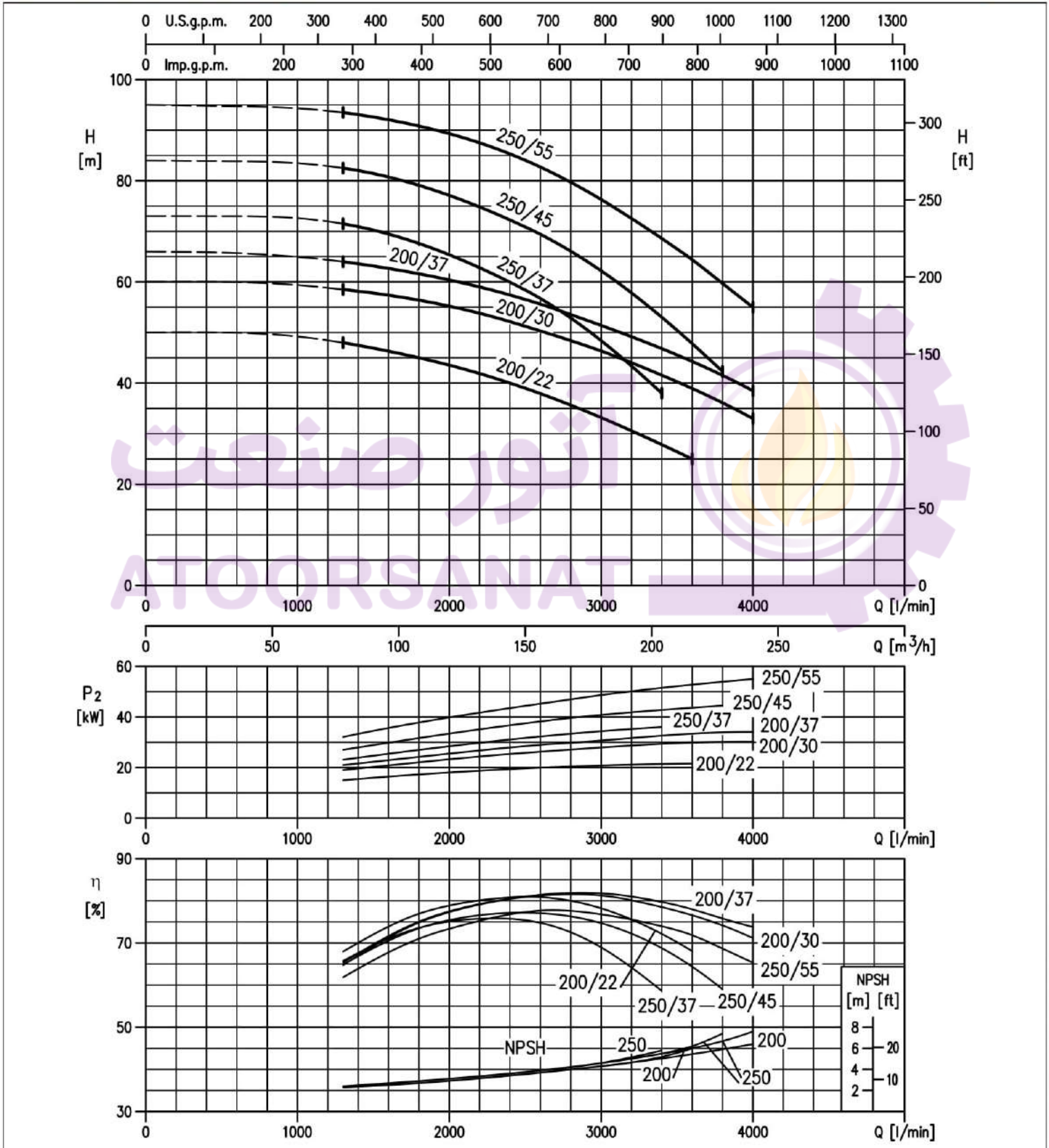
The content of this publication should not be considered mandatory. EBARA Pumps Europe S.p.A. reserves the right to change the content without prior notice.

# 3 - 3L SERIES

CENTRIFUGAL ELECTRIC PUMPS STANDARDISED IN COMPLIANCE WITH EN 733 (EX DIN 24255)

PERFORMANCE CURVES 3L 80 SERIES at 2900 min<sup>-1</sup> (according to ISO 9906 Attachment A)

2 Poles



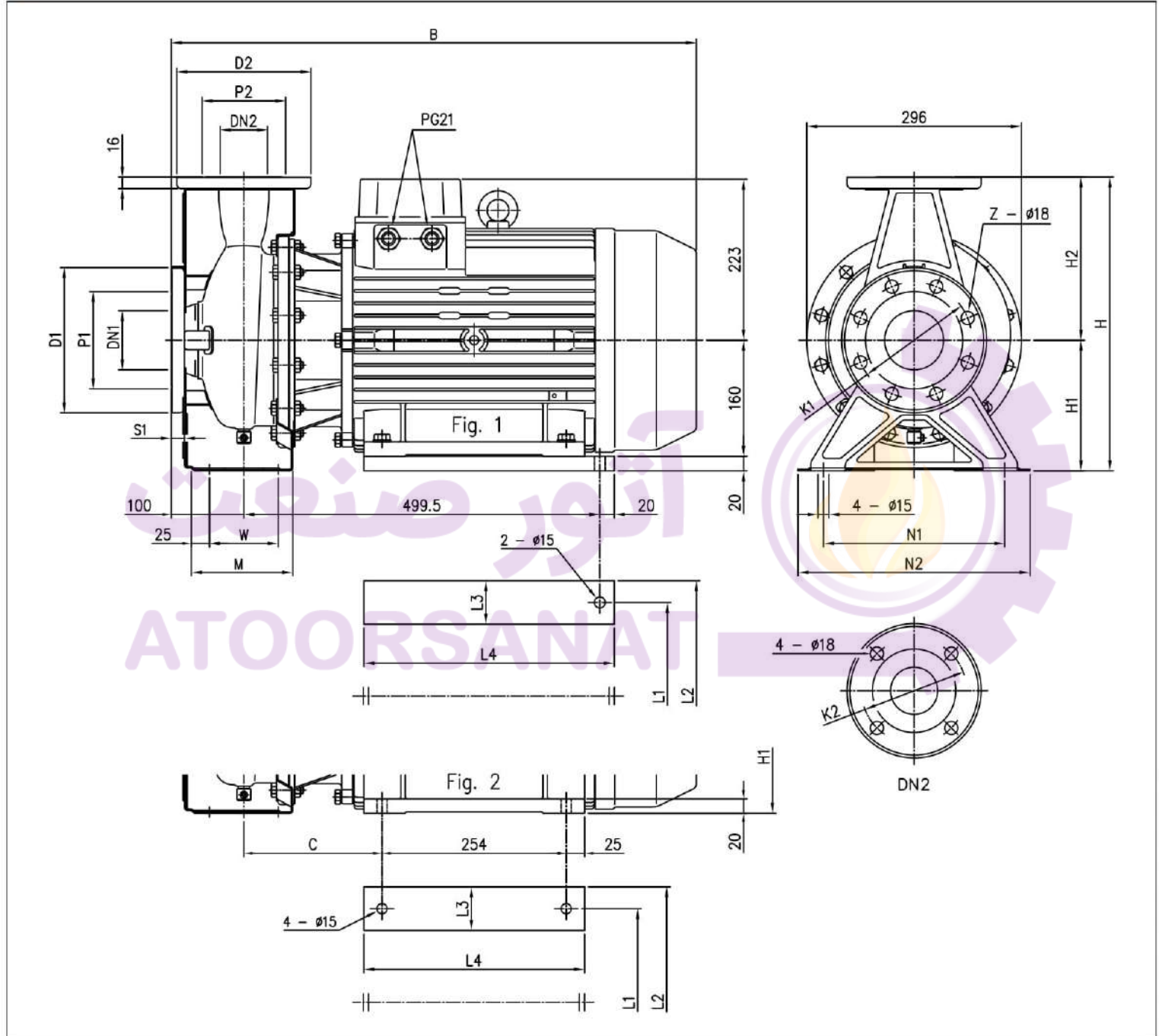


# 3 - 3L SERIES

CENTRIFUGAL ELECTRIC PUMPS STANDARDISED IN COMPLIANCE WITH EN 733  
(EX DIN 24255)

3(L)M 50, 65 - 15 ÷ 22 kW

2 Poles



## DIMENSIONAL TABLE

Model	Dimensions [mm]										Dimensions [mm]										Weight [kg]					
	DN1 Ø	P1 Ø	K1 Ø	D1 Ø	S1	Z [1]	Z [2]	DN2 Ø	P2 Ø	K2 Ø	D2 Ø	Fig.	H	H1	H2	W	M	N1	N2	B		C	L1	L2	L3	L4
50-200/15	65	115	145	185	16	4	-	50	95	125	165	2	360	160	200	70	115	212	265	723	190.5	254	318	65	304	105.1
65-160/15	80	134	160	200	18	8	4	65	115	145	185	2	360	160	200	95	140	212	280	732	199.5	254	318	65	304	107.1
65-200/15	80	134	160	200	18	8	4	65	115	145	185	1	405	180	225	95	140	250	320	732	-	254	314	60	345	110.1
65-200/18.5	80	134	160	200	18	8	4	65	115	145	185	1	405	180	225	95	140	250	320	732	-	254	314	60	345	125.3
65-200/22	80	134	160	200	18	8	4	65	115	145	185	1	405	180	225	95	140	250	320	732	-	254	314	60	345	136.1

[1] Standard [2] On request

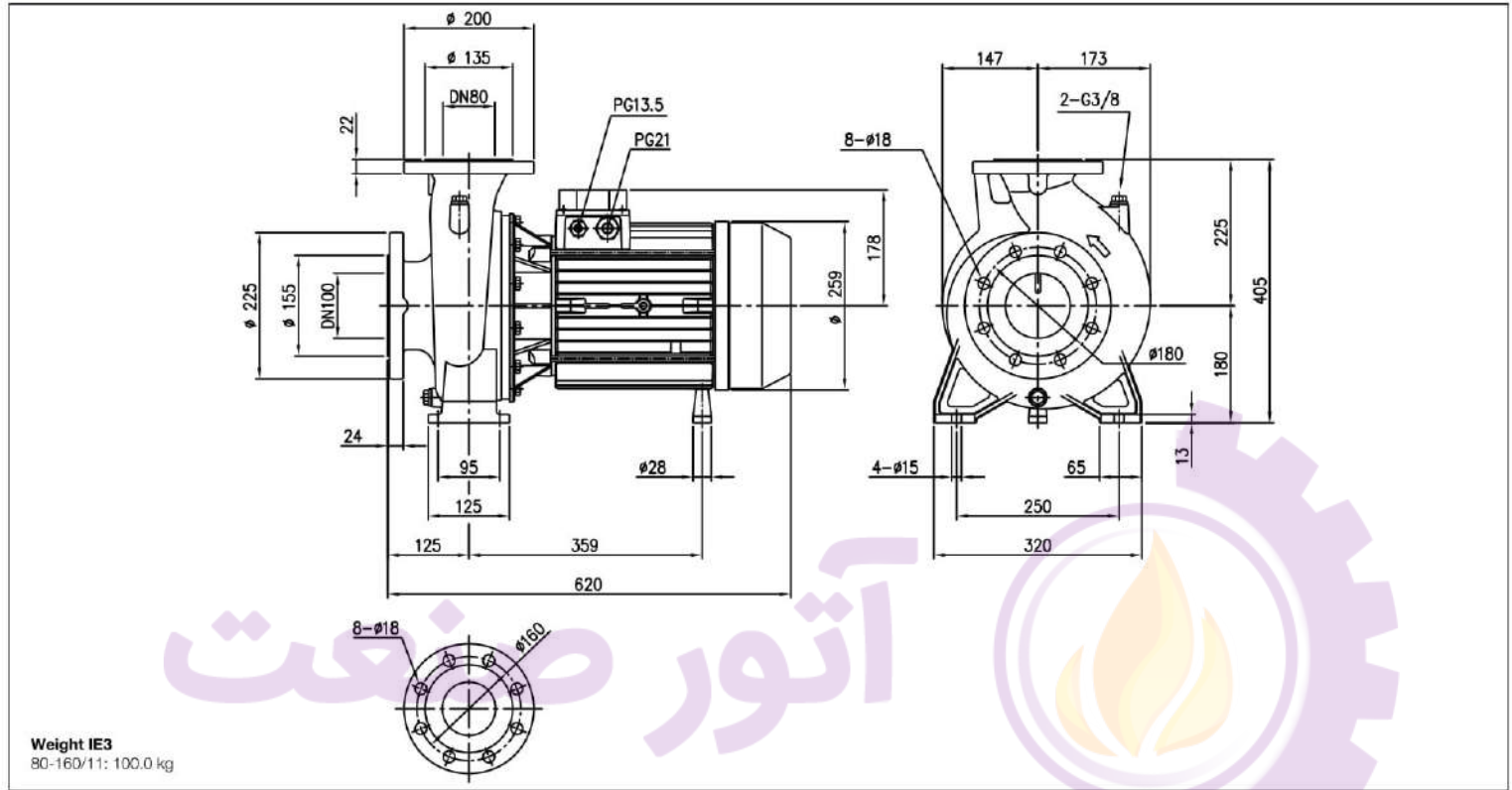
The content of this publication should not be considered mandatory. EBARA Pumps Europe S.p.A. reserves the right to change the content without prior notice.

# 3 - 3L SERIES

CENTRIFUGAL ELECTRIC PUMPS STANDARDISED IN COMPLIANCE WITH EN 733 (EX DIN 24255)

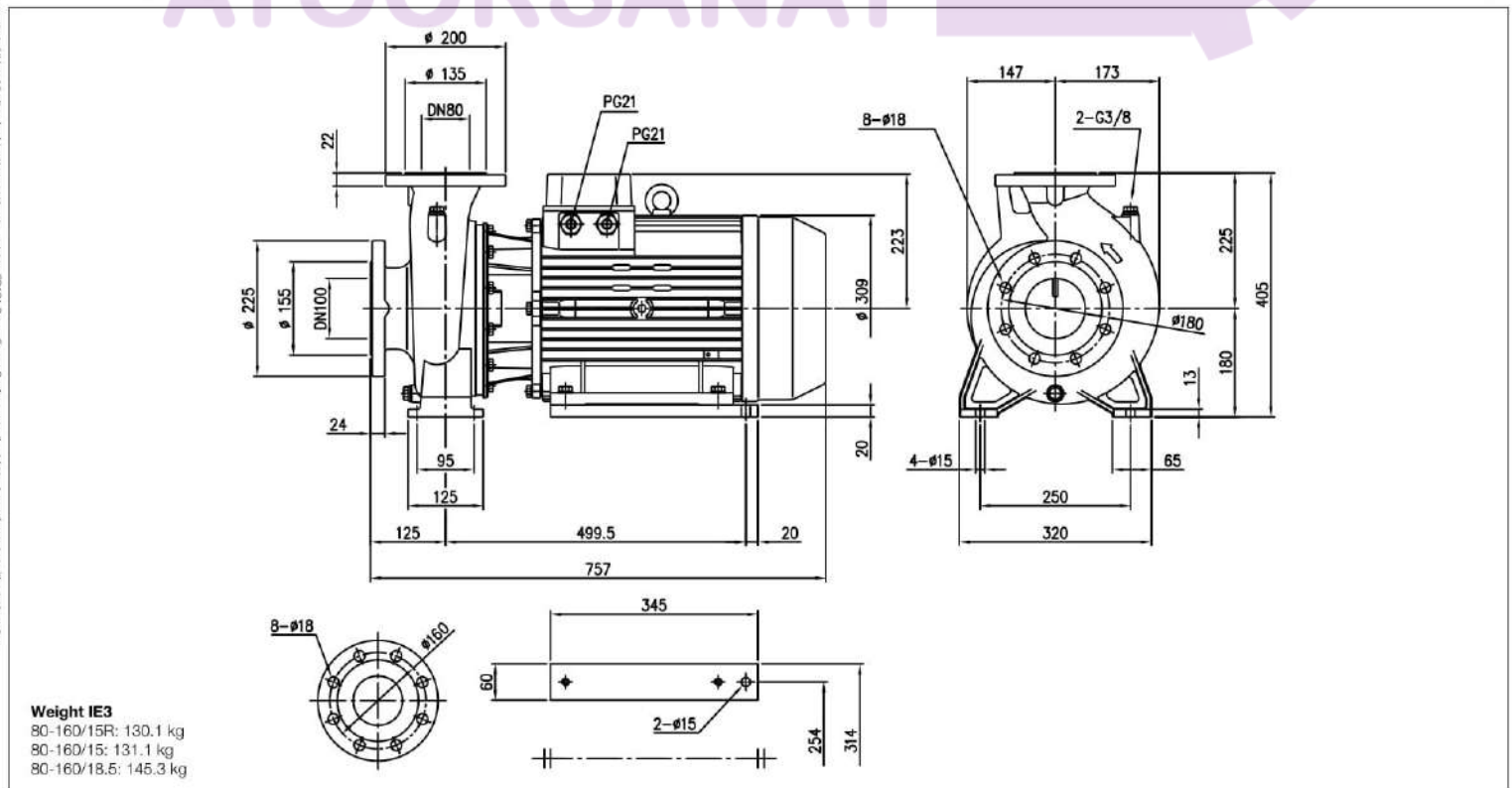
3LM 80-160 - 11 kW

2 Poles



3LM 80-160 / 15R / 15 / 18.5 kW

2 Poles



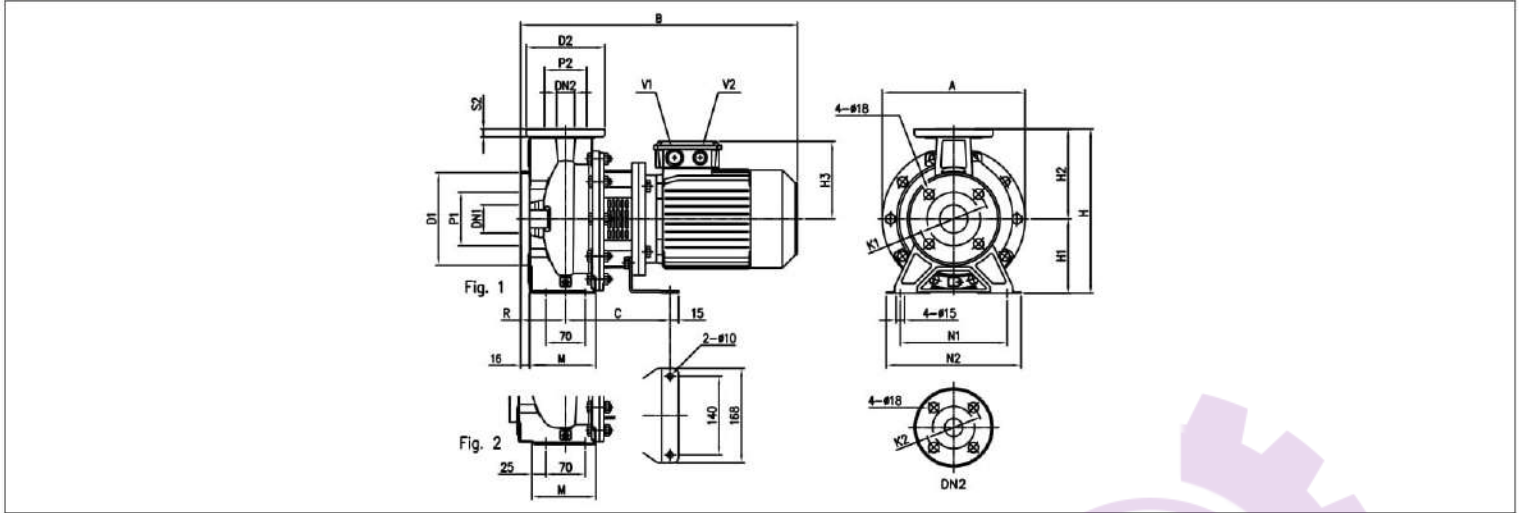
The content of this publication should not be considered mandatory. EBARA Pumps Europe S.p.A. reserves the right to change the content without prior notice.

# 3 - 3L SERIES

CENTRIFUGAL ELECTRIC PUMPS STANDARDISED IN COMPLIANCE WITH EN 733 (EX DIN 24255)

3(L)S 32, 40, 50 - up to 2.2 kW

2 Poles



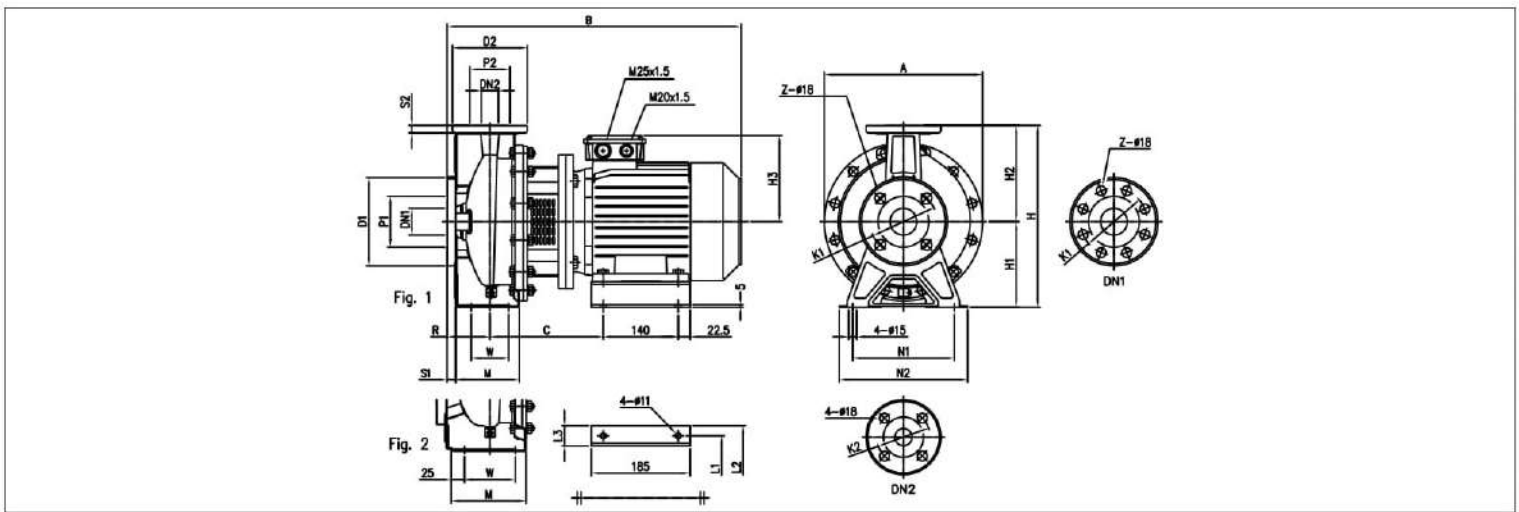
## DIMENSIONAL TABLE

Model	Dimensions [mm]										Dimensions [mm]										Weight [kg]				
	DN1 Ø	P1 Ø	K1 Ø	D1 Ø	DN2 Ø	P2 Ø	K2 Ø	D2 Ø	S2	Fig.	H	H1	H2	H3	R	M	N1	N2	A	B	C	V1	V2	*	*
32-125/1.1	50	95	125	165	32	75	100	140	14	1	252	112	140	139	80	114	140	190	213	430	174	M25x 1.5	M20x1.5	23.1	24.7
32-160/1.5	50	95	125	165	32	75	100	140	14	1	292	132	160	148	80	118	190	240	254	477	186	M25x 1.5	M20x1.5	29.8	29.8
32-160/2.2	50	95	125	165	32	75	100	140	14	1	292	132	160	148	80	118	190	240	254	477	186	M25x 1.5	M20x1.5	32.4	32.4
40-125/1.5	65	115	145	185	40	80	110	150	14	1	252	112	140	148	80	114	160	210	213	477	186	M25x 1.5	M20x1.5	26.5	26.5
40-125/2.2	65	115	145	185	40	80	110	150	14	1	252	112	140	148	80	114	160	210	213	477	186	M25x 1.5	M20x1.5	29.6	29.6
50-125/2.2	65	115	145	185	50	95	125	165	16	2	292	132	160	148	100	114	190	240	254	497	186	M25x 1.5	M20x1.5	32.9	32.9

\* Models with IE3 motor only

3(L)S 32, 65 - 3 ÷ 4 kW

2 Poles



## DIMENSIONAL TABLE

Model	Dimensions [mm]										Dimensions [mm]										Weight [kg]									
	DN1 Ø	P1 Ø	K1 Ø	D1 Ø	S1	Z [1] [2]	DN2 Ø	P2 Ø	K2 Ø	D2 Ø	S2	Fig.	H	H1	H2	H3	R	W	M	N1	N2	A	B	C	L1	L2	L3	*	*	
32-200/3.0	50	95	125	165	16	4	-	32	75	100	140	14	1	340	160	180	155	80	70	119	190	240	296	528	205	160	202	42	46.9	46.9
32-200/4.0	50	95	125	165	16	4	-	32	75	100	140	14	1	340	160	180	171	80	70	119	190	240	296	550	212	190	228	38	49	49
65-125/4.0	80	134	160	200	18	8	4	65	115	145	185	16	2	340	160	180	171	100	95	140	212	280	254	570	212	190	228	38	50.1	50.1

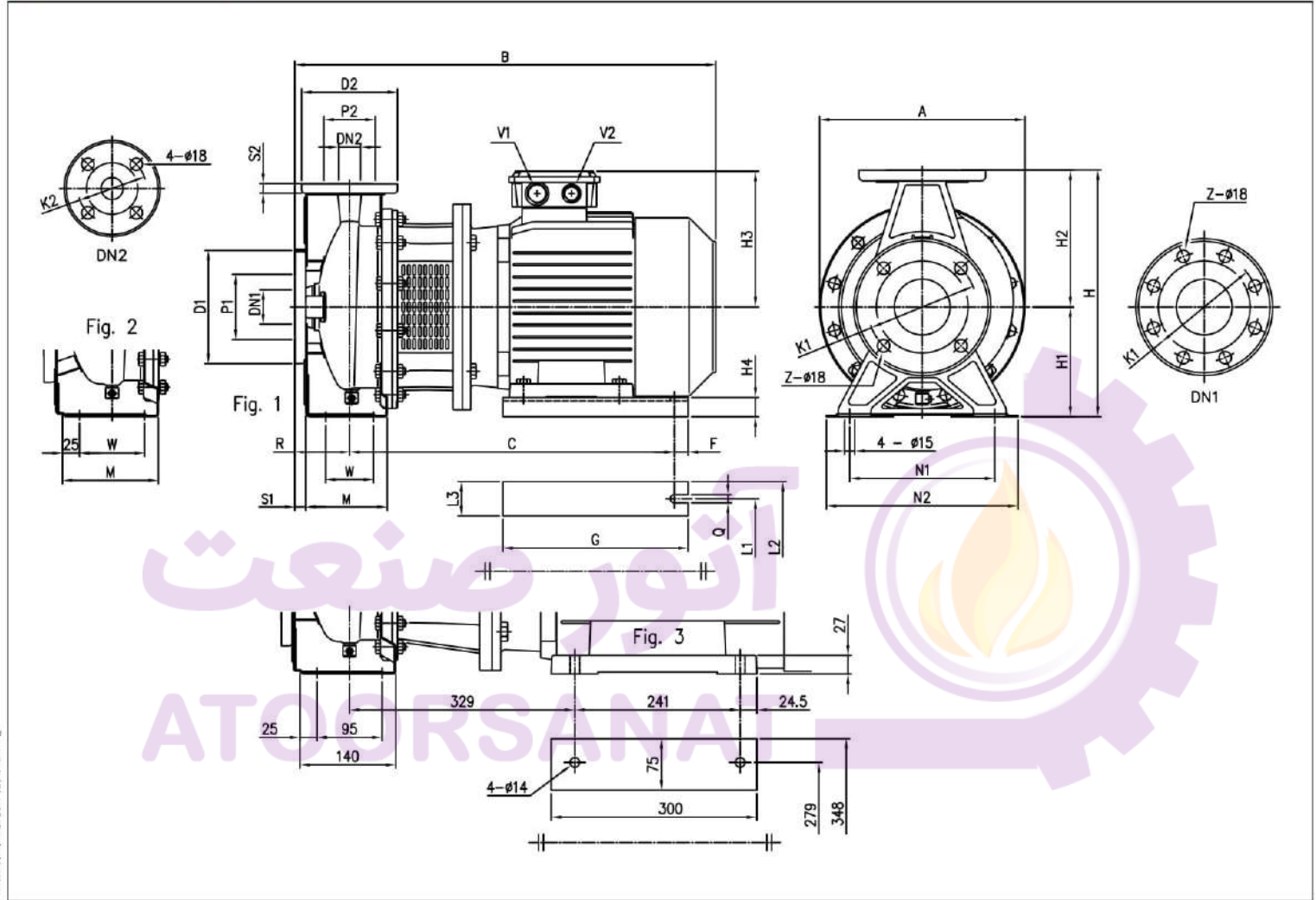
[1] Standard [2] On request \* Models with IE3 motor only

# 3 - 3L SERIES

CENTRIFUGAL ELECTRIC PUMPS STANDARDISED IN COMPLIANCE WITH EN 733 (EX DIN 24255)

3(L)S 32, 40, 50, 65 - up to 65-200

2 Poles



## DIMENSIONAL TABLE

Model	Dimensions [mm]																											Weight [kg]											
	DN1	P1	K1	D1	S1	Z	DN2	P2	K2	D2	S2	Fig.	H	H1	H2	H3	H4	R	W	M	N1	N2	A	B	C	F	G	Q	L1	L2	L3	V1	V2		*				
32-200/5.5	50	95	125	165	16	4	-	32	75	100	140	14	1	340	160	180	198	28	80	70	119	190	240	300	607	479	15	270	12	216	266	50	M32x1.5	M32x1.5	71.8	71.8			
32-200/7.5	50	95	125	165	16	4	-	32	75	100	140	14	1	340	160	180	198	28	80	70	119	190	240	300	607	479	15	270	12	216	266	50	M32x1.5	M32x1.5	-	87.0			
40-160/3.0	65	115	145	185	16	4	-	40	80	110	150	14	1	292	132	160	155	32	80	70	118	190	240	254	528	388	15	220	12	160	200	40	M25x1.5	M20x1.5	42.5	42.5			
40-160/4.0	65	115	145	185	16	4	-	40	80	110	150	14	1	292	132	160	171	20	80	70	118	190	240	254	550	395	15	220	12	190	240	50	M25x1.5	M20x1.5	44.6	44.6			
40-200/5.5	65	115	145	185	16	4	-	40	80	110	150	14	2	340	160	180	198	28	100	70	115	212	265	300	627	479	15	270	12	216	266	50	M32x1.5	M32x1.5	72.2	72.2			
40-200/7.5	65	115	145	185	16	4	-	40	80	110	150	14	2	340	160	180	198	28	100	70	115	212	265	300	627	479	15	270	12	216	266	50	M32x1.5	M32x1.5	-	82.0			
50-125/3.0	65	115	145	185	16	4	-	50	95	125	165	16	2	292	132	160	155	32	100	70	114	190	240	254	548	388	15	220	12	160	200	40	M25x1.5	M20x1.5	35.5	35.5			
50-125/4.0	65	115	145	185	16	4	-	50	95	125	165	16	2	292	132	160	171	20	100	70	114	190	240	254	570	395	15	220	12	190	240	50	M25x1.5	M20x1.5	45.6	45.6			
50-160/5.5	65	115	145	185	16	4	-	50	95	125	165	16	2	340	160	180	198	28	100	70	115	212	265	300	627	479	15	270	12	216	266	50	M32x1.5	M32x1.5	63.8	63.8			
50-160/7.5	65	115	145	185	16	4	-	50	95	125	165	16	2	340	160	180	198	28	100	70	115	212	265	300	627	479	15	270	12	216	266	50	M32x1.5	M32x1.5	-	91.0			
50-200/9.2	65	115	145	185	16	4	-	50	95	125	165	16	2	360	160	200	198	28	100	70	115	212	265	300	667	479	15	270	12	216	266	50	M32x1.5	M32x1.5	-	90.7			
65-125/5.5	80	134	160	200	18	8	4	65	115	145	185	16	2	340	160	180	198	28	100	95	140	212	280	300	627	479	15	270	12	216	266	50	M32x1.5	M32x1.5	60.0	60.0			
65-125/7.5	80	134	160	200	18	8	4	65	115	145	185	16	2	340	160	180	198	28	100	95	140	212	280	300	627	479	15	270	12	216	266	50	M32x1.5	M32x1.5	-	79.4			
65-160/7.5	80	134	160	200	18	8	4	65	115	145	185	16	2	360	160	200	198	28	100	95	140	212	280	300	627	479	15	270	12	216	266	50	M32x1.5	M32x1.5	-	82.4			
65-160/9.2	80	134	160	200	18	8	4	65	115	145	185	16	2	360	160	200	198	28	100	95	140	212	280	300	667	479	15	270	12	216	266	50	M32x1.5	M32x1.5	-	88.0			
65-200/15	80	134	160	200	18	8	4	65	115	145	185	16	2	405	180	225	238	20	100	95	140	250	320	350	806	621	20	350	14	254	314	60	M40x1.5	M40x1.5	-	138.0			
65-200/18.5	80	134	160	200	18	8	4	65	115	145	185	16	2	405	180	225	238	20	100	95	140	250	320	350	850	621	20	350	14	254	314	60	M40x1.5	M40x1.5	-	137.2			
65-200/22	80	134	160	200	18	8	4	65	115	145	185	16	3	405	180	225	268	-	100	-	-	250	320	350	885	-	-	-	-	-	-	-	-	-	-	M32x1.5	M32x1.5	-	175.0

[1] Standard [2] On request  
\* Models with IE3 motor only

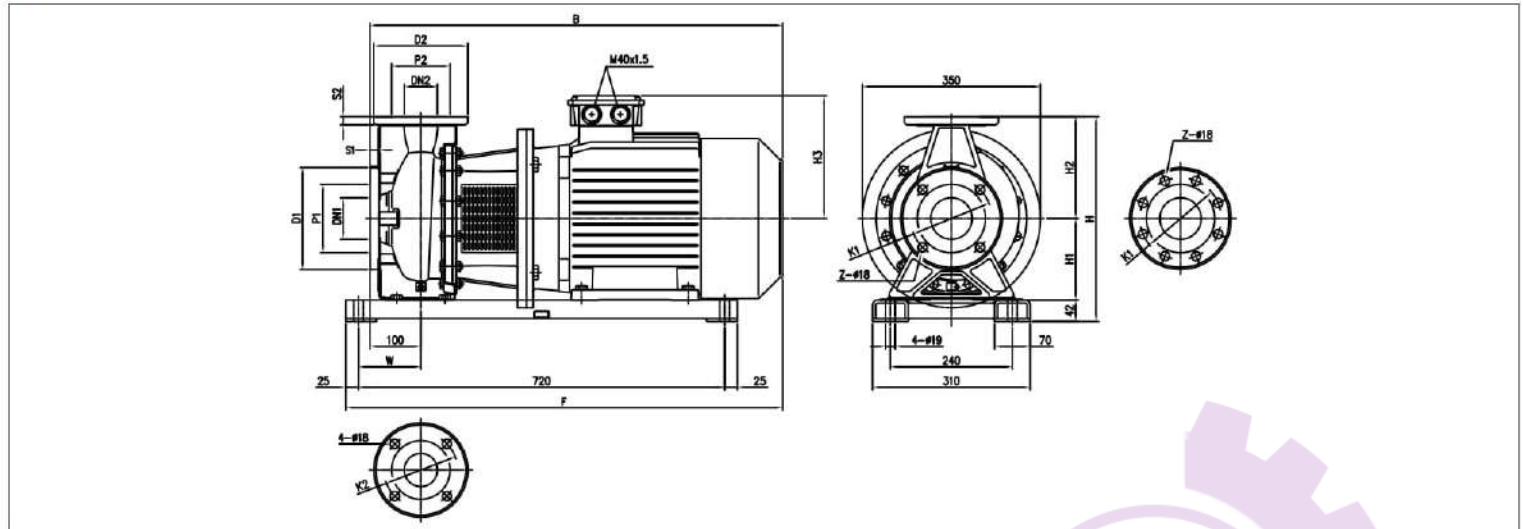


# 3 - 3L SERIES

CENTRIFUGAL ELECTRIC PUMPS STANDARDISED IN COMPLIANCE WITH EN 733  
(EX DIN 24255)

3(L)S 40, 50, 65 - 11 ÷ 15 kW

2 Poles



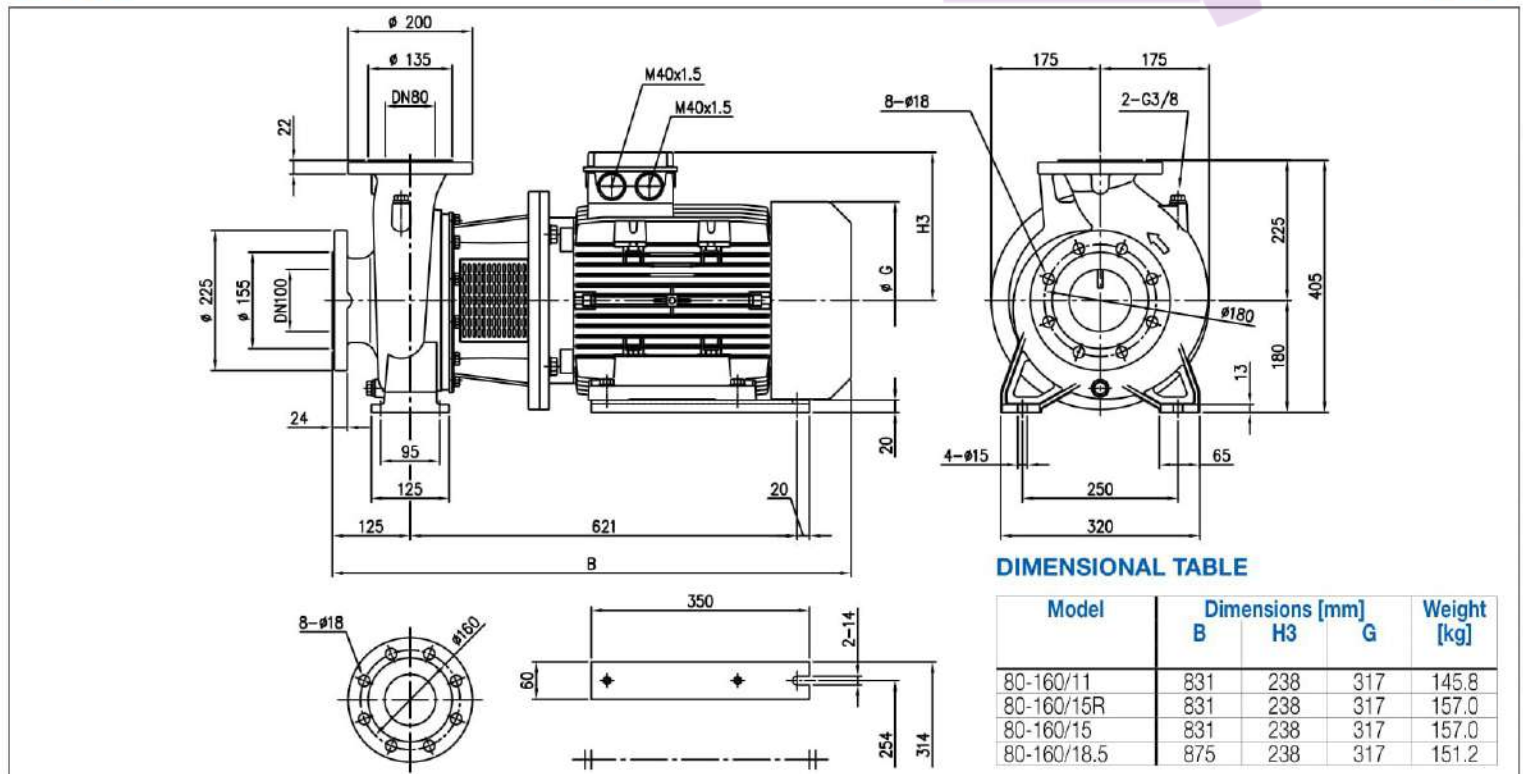
## DIMENSIONAL TABLE

Model	Dimensions [mm]								Dimensions [mm]											Weight [kg]
	DN1 Ø	P1 Ø	K1 Ø	D1 Ø	S1	Z	[1]	[2]	DN2 Ø	P2 Ø	K2 Ø	D2 Ø	S2	H	H1	H2	H3	W	B	
40-200/11	65	115	145	185	16	4	-	40	80	110	150	14	382	160	180	238	110	796	831	117.8
50-200/11	65	115	145	185	16	4	-	50	95	125	165	16	402	160	200	238	110	796	831	117.8
50-200/15	65	115	145	185	16	4	-	50	95	125	165	16	402	160	200	238	110	796	831	147.9
65-160/11	80	134	160	200	18	8	4	65	115	145	185	16	402	160	200	238	122.5	796	844	86.8
65-160/15	80	134	160	200	18	8	4	65	115	145	185	16	402	160	200	238	122.5	806	854	120.9

[1] Standard [2] On request

3LS 80-160

2 Poles



## DIMENSIONAL TABLE

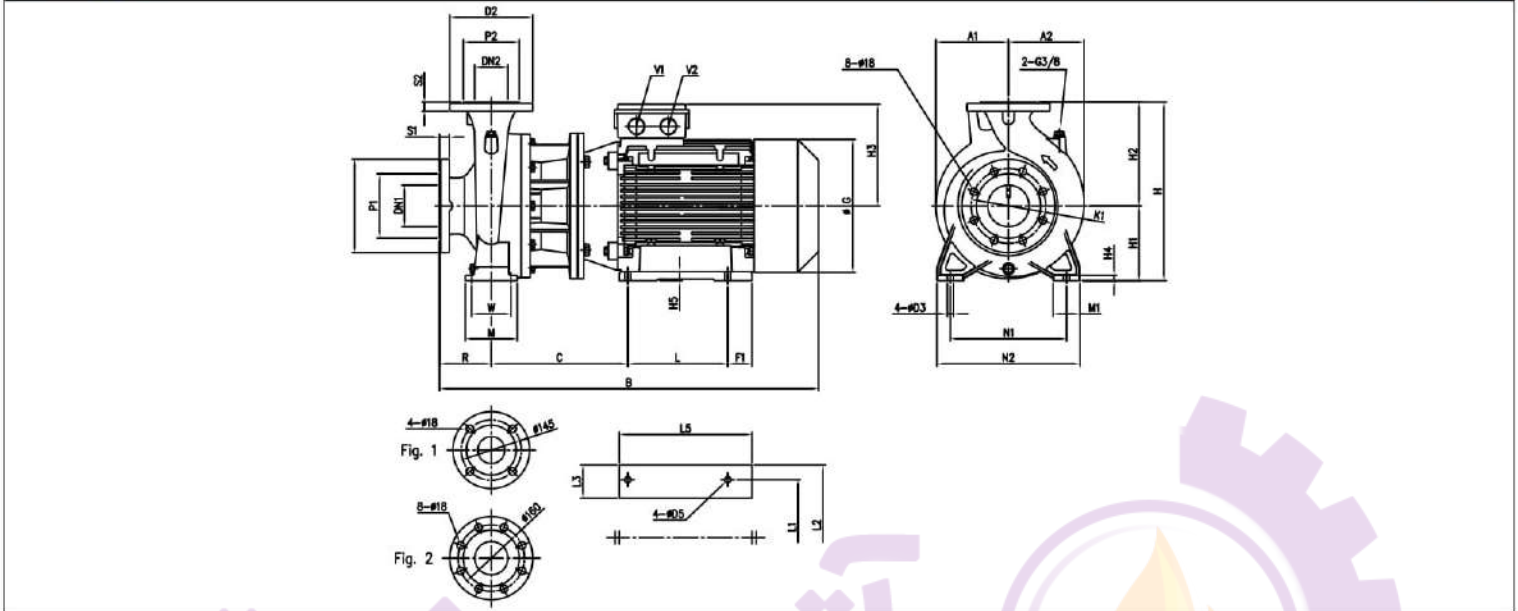
Model	Dimensions [mm]			Weight [kg]
	B	H3	G	
80-160/11	831	238	317	145.8
80-160/15R	831	238	317	157.0
80-160/15	831	238	317	157.0
80-160/18.5	875	238	317	151.2

# 3 - 3L SERIES

CENTRIFUGAL ELECTRIC PUMPS STANDARDISED IN COMPLIANCE WITH EN 733 (EX DIN 24255)

3LS 65-250, 80

2 Poles

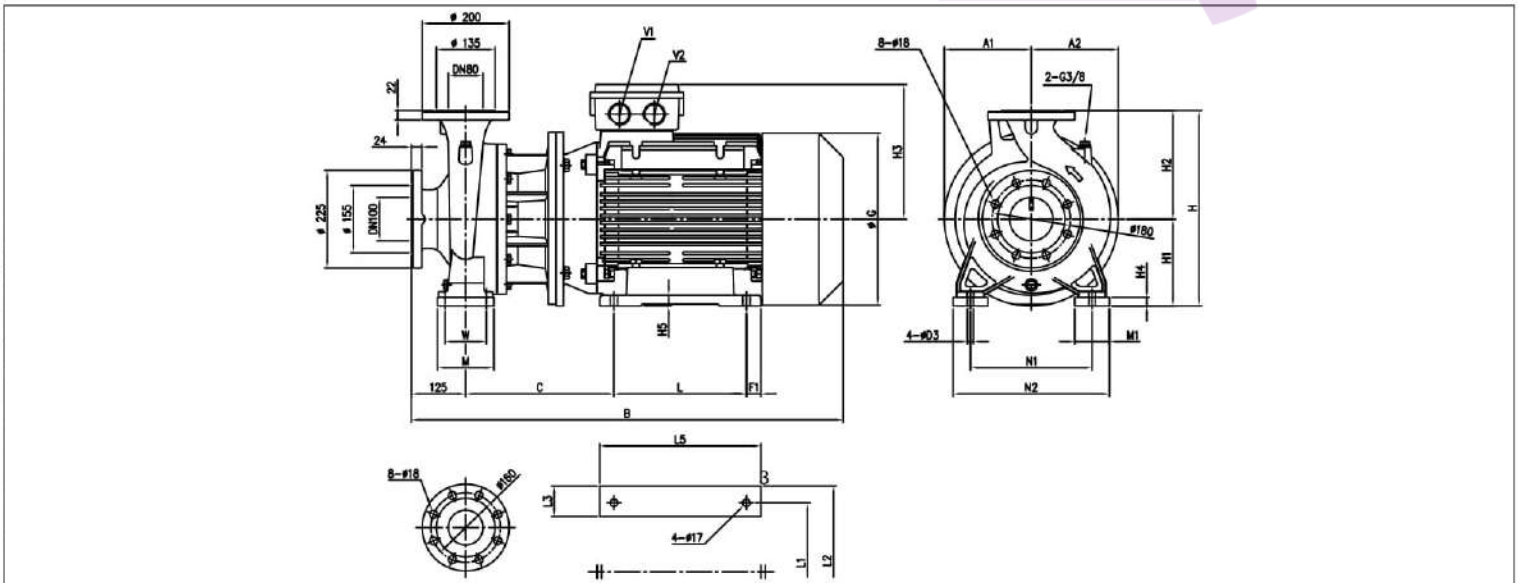


## DIMENSIONAL TABLE

Model	Dimensions [mm]																							Weight [kg]														
	DN1	P1	K1	D1	S1	DN2	P2	D2	S2	H	H1	H2	H3	H4	H5	R	W	N1	N2	M	M1	L	L1		L2	L3	L5	A1	A2	B	C	F1	G	D3	D5	V1	V2	
65-250/30	80	135	180	200	22	65	Fig.1	120	185	20	450	200	250	300	15	25	100	120	280	360	160	80	305	318	388	80	358	200	200	966	341	21.5	399	19	17	M40x1.5	M40x1.5	303.0
65-250/37	80	135	180	200	22	65	Fig.1	120	185	20	450	200	250	300	15	25	100	120	280	360	160	80	305	318	388	80	358	200	200	966	341	21.5	399	19	17	M40x1.5	M40x1.5	320.0
80-200/22	100	155	180	225	24	80	Fig.2	135	200	22	430	180	250	268	13	27	125	95	280	345	125	65	241	279	348	75	300	175	182	910	329	24.5	360	15	14	M32x1.5	M32x1.5	207.0
80-250/37	100	155	180	225	24	80	Fig.2	135	200	22	480	200	280	300	15	25	125	120	315	400	160	80	305	318	388	80	358	200	200	1019	369	21.5	399	19	17	M40x1.5	M40x1.5	335.0

3LS 80

2 Poles



## DIMENSIONAL TABLE

Model	Dimensions [mm]																							Weight [kg]		
	H	H1	H2	H3	H4	H5	W	N1	N2	M	M1	L	L1	L2	L3	L5	A1	A2	B	C	F1	G	D3		V1	V2
80-200/30	450	200	250	300	20	25	95	280	360	130	80	305	318	388	80	358	200	200	991	341	21.5	399	14	M40x1.5	M40x1.5	306.0
80-200/37	450	200	250	300	20	25	95	280	360	130	80	305	318	388	80	358	200	200	991	341	21.5	399	14	M40x1.5	M40x1.5	325.0
80-250/45	505	225	280	335	25	28	120	315	415	165	100	311	356	436	80	386	225	225	1060	385	37.5	465	18	M50x1.5	M50x1.5	401.0

## 3 - 3L SERIES

CENTRIFUGAL ELECTRIC PUMPS STANDARDISED IN COMPLIANCE WITH EN 733  
(EX DIN 24255)

3LS 80-250/55

2 Poles

