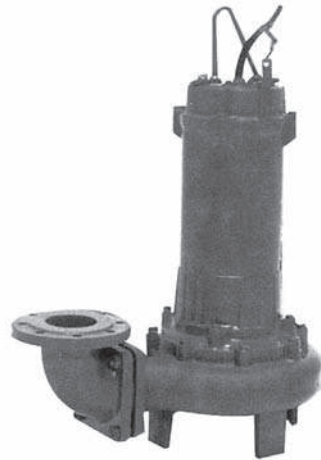
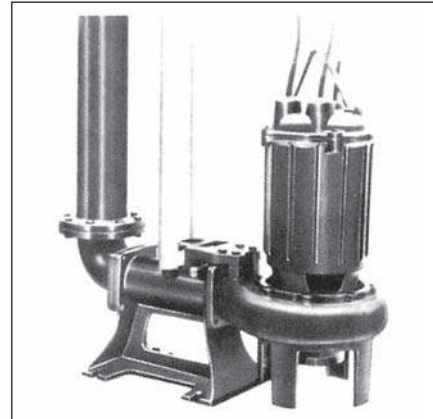


SUBMERSIBLE SEWAGE PUMPS - Non-clog



Model DL
Manual type



Model DL
with Quick Discharge Connector

APPLICATIONS

- Sewage
- Waste water
- Storm water drainage

FEATURES

- Unique impeller design prevents overload under severe operating conditions.
- Semi-open non-clog impellers prevent pump clog by foreign matter.
- The protective device built into the motor prevents the motor from damage as a result of over-current or abnormal temperature rise of the coil.
- Optional Quick Discharge Connector facilitates easy installation and maintenance.
- Range of models up to 300mm discharge size and 45kW available.

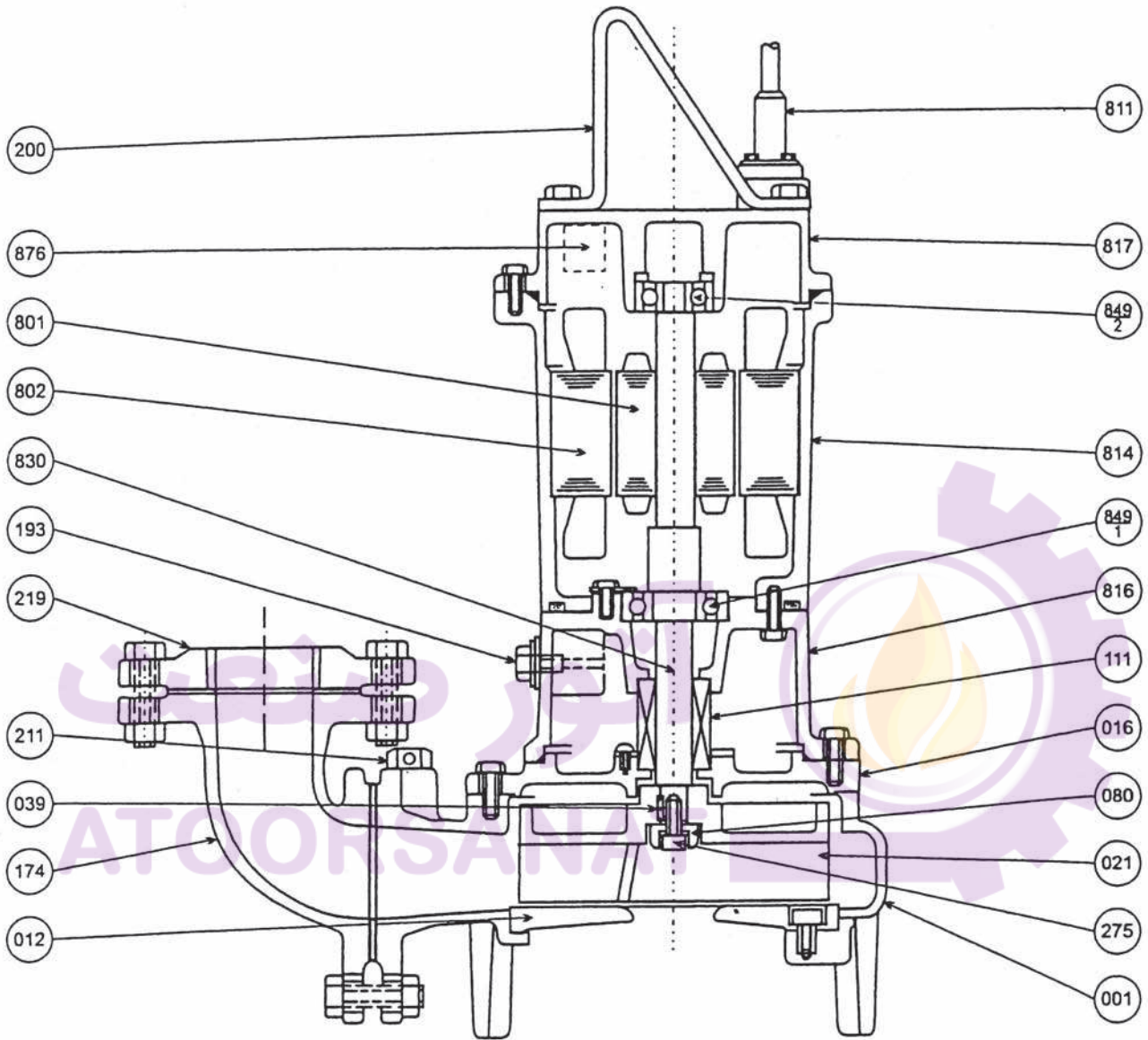
ACCESSORIES

- Submersible cable : 10m

SPECIFICATIONS

| Pump | | | |
|---------------------|--|---|------------------|
| Liquid Handled | Type of liquid | Sewage and waste water | |
| | Temperature | 40°C (manual & A' Type) : 32°C (J' Type) | |
| | Max. solid | up to 88mm solids / 110mm fiber | |
| Maximum Submergence | | 8m | |
| Minimum Submergence | | Refer to low water level (L.W.L) in dimension | |
| Synchronous Speed | | 1450 rpm (4 poles) | |
| Construction | Mechanical seal | Oil lubricated, double mechanical seal | |
| | Impeller | Non-clog, semi open | |
| | Bearing | Pre lubricated. Sealed ball bearing | |
| Material | Casing | Cast iron | |
| | Impeller | Cast iron | |
| | Shaft | 403 stainless steels | |
| | Mechanical seal | Impeller side | Silicon carbide |
| | | Motor side | Carbon / Ceramic |
| Lubricating oil | | Turbine oil VG32 (SAE low / 20W) | |
| Motor | | | |
| Type | Air filled watertight | | |
| Insulation | Class F | | |
| Protection | Built-in overload protection (up to 7.5 kW), Built-in temperature detector protector (11 to 45 kW) | | |
| Accessories | | | |
| Standard | Cable 10m. Discharge elbow | | |
| Optional | Quick discharge connector (QDC) | | |

SECTION VIEW



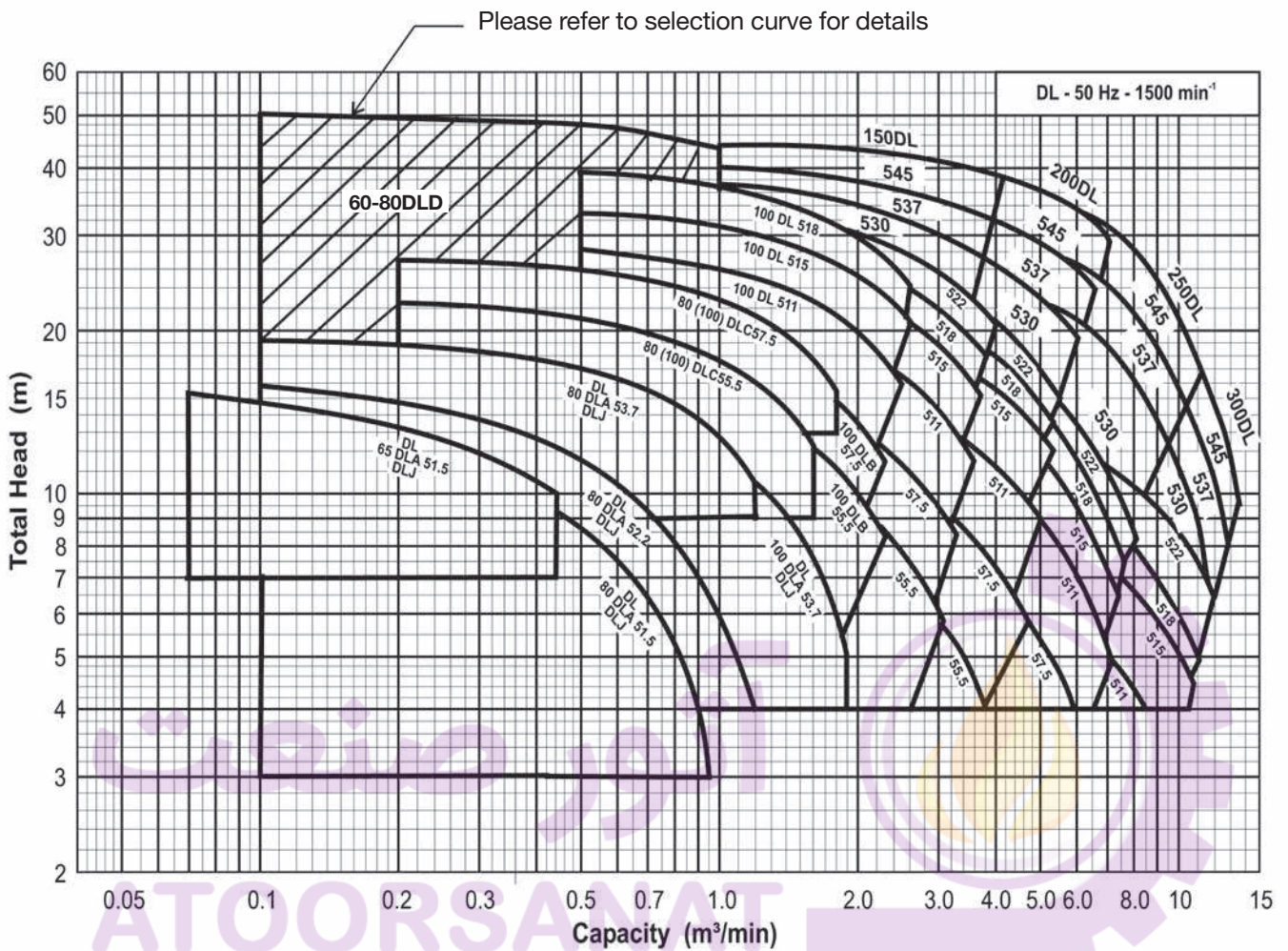
| Item Number | Description | Material | Quantity per unit |
|-------------|-----------------------|--|-------------------|
| 001 | Casing | FC200 Cast iron | 1 |
| 012 | Suction Cover | FC200 Cast Iron | 1 |
| 016 | Mechanical Seal Cover | FC200 Cast Iron | 1 |
| 021 | Impeller | FC200 Cast Iron | 1 |
| 039 | Impeller Key | SUS Stainless Steel | 1 |
| 080 | Bushing | SS Steel | 1 |
| 111 | Mechanical Seal | | 1 |
| 174 | Discharge Elbow | FC200 Cast iron | 1 |
| 193 | Oil Plug | C3604 or SUS304 Brass or Stainless Steel | 1 |
| 200 | Lifting Hanger | SS Steel | 1 |
| 211 | Airvent Valve | C3604 Brass | 1 |
| 219 | Companion Flange | FC200 Cast iron | 1 |

| Item Number | Description | Material | Quantity per unit |
|-------------|---------------|------------------------|-------------------|
| 275 | Impeller Bolt | SUS304 Stainless Steel | 1 |
| 801 | Rotor | | 1 |
| 802 | Stator | | 1 |
| 811 | Cable | | 1 |
| 814 | Motor Frame | FC150 Cast Iron | 1 |
| 816 | Lower Bracket | FC150 Cast Iron | 1 |
| 817 | Upper Bracket | FC150 Cast iron | 1 |
| 830 | Shaft # | SUS403 Stainless Steel | 1 |
| 849-1 | Ball Bearing | | 1 |
| 849-2 | Ball Bearing | | 1 |
| 876 | Auto Cut | | 1 |

refers to pump side of shaft material

SELECTION CHART

1450 min⁻¹



Model code

○ x 80 DLA 5 3.7

- x Suction size (mm) : Dry Pit version only
- 80 Discharge size (mm)
- DLA Model
 - DL = Manual version
 - DLA = Automatic version
 - DLJ = Parallel alternating version
 - DDL = Dry Pit version
- 5 Frequency (5 = 50 Hz)
- 3.7 Motor output (kW)

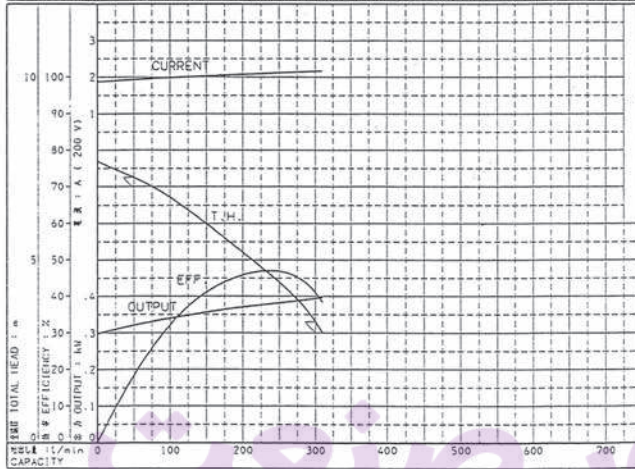
PERFORMANCE CURVE

1450 min⁻¹

50DL5.4

0.4 kw

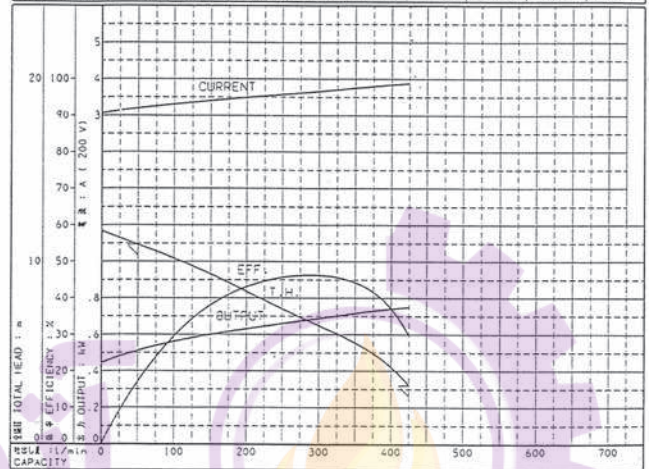
| TEST NO. | ポンプ PUMP | | | 三相誘起電機 MOTOR | | | | | | |
|----------|-------------|----------------|---------|-----------------|----------|---------|-----------------|----------|---------|-------|
| | 流量 CAPACITY | 全揚程 TOTAL HEAD | 効率 EFF. | 電圧 VOLTS (200V) | | | 電圧 VOLTS (400V) | | | |
| | | | | 電流 CURRENT | 入力 INPUT | 効率 EFF. | 電流 CURRENT | 入力 INPUT | 効率 EFF. | |
| 1 | 0.0 | 7.7 | 0.0 | 1.870 | 0.451 | 66.2 | 0.940 | 0.451 | 66.2 | 0.298 |
| 2 | 100.0 | 6.7 | 32.1 | 1.980 | 0.512 | 66.4 | 0.990 | 0.512 | 66.4 | 0.340 |
| 3 | 200.0 | 5.2 | 45.6 | 2.070 | 0.562 | 66.1 | 1.040 | 0.562 | 66.1 | 0.371 |
| 4 | 300.0 | 3.3 | 40.9 | 2.150 | 0.601 | 65.6 | 1.080 | 0.601 | 65.6 | 0.394 |
| 5 | 310.0 | 3.0 | 38.1 | 2.160 | 0.606 | 65.6 | 1.080 | 0.606 | 65.6 | 0.397 |



50DL5.75

0.75 kw

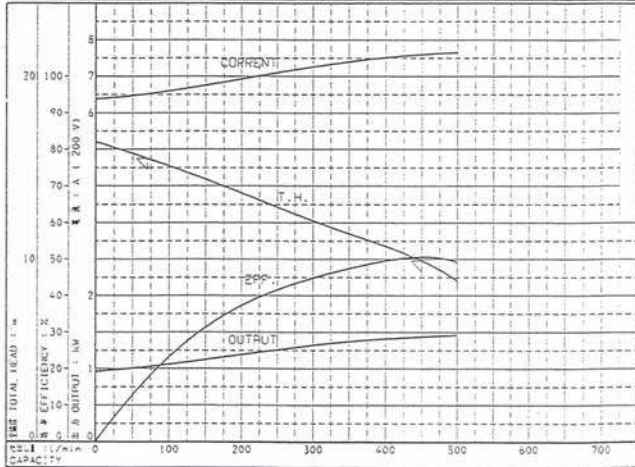
| TEST NO. | ポンプ PUMP | | | 三相誘起電機 MOTOR | | | | | | |
|----------|-------------|----------------|---------|-----------------|----------|---------|-----------------|----------|---------|-------|
| | 流量 CAPACITY | 全揚程 TOTAL HEAD | 効率 EFF. | 電圧 VOLTS (200V) | | | 電圧 VOLTS (400V) | | | |
| | | | | 電流 CURRENT | 入力 INPUT | 効率 EFF. | 電流 CURRENT | 入力 INPUT | 効率 EFF. | |
| 1 | 0.0 | 11.7 | 0.0 | 3.060 | 0.642 | 69.4 | 1.530 | 0.642 | 69.4 | 0.445 |
| 2 | 150.0 | 9.3 | 37.8 | 3.400 | 0.843 | 71.2 | 1.700 | 0.843 | 71.2 | 0.600 |
| 3 | 250.0 | 7.4 | 45.6 | 3.570 | 0.930 | 71.0 | 1.790 | 0.930 | 71.0 | 0.660 |
| 4 | 400.0 | 4.2 | 37.0 | 3.840 | 1.055 | 70.2 | 1.920 | 1.055 | 70.2 | 0.740 |
| 5 | 425.0 | 3.2 | 29.5 | 3.880 | 1.070 | 70.1 | 1.940 | 1.070 | 70.1 | 0.750 |



65DL51.5

1.5 kw

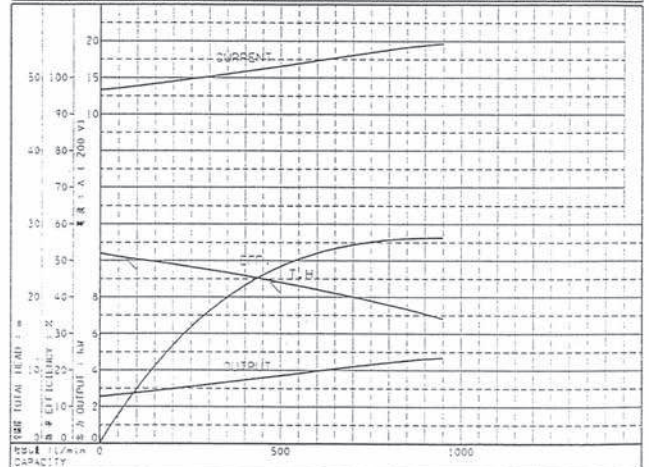
| TEST NO. | ポンプ PUMP | | | 三相誘起電機 MOTOR | | | | | | |
|----------|-------------|----------------|---------|-----------------|----------|---------|-----------------|----------|---------|-------|
| | 流量 CAPACITY | 全揚程 TOTAL HEAD | 効率 EFF. | 電圧 VOLTS (200V) | | | 電圧 VOLTS (400V) | | | |
| | | | | 電流 CURRENT | 入力 INPUT | 効率 EFF. | 電流 CURRENT | 入力 INPUT | 効率 EFF. | |
| 1 | 0.0 | 16.4 | 0.0 | 6.380 | 1.408 | 68.2 | 3.190 | 1.408 | 68.2 | 0.950 |
| 2 | 200.0 | 13.6 | 37.2 | 6.920 | 1.683 | 70.8 | 3.460 | 1.683 | 70.8 | 1.191 |
| 3 | 300.0 | 12.1 | 44.7 | 7.260 | 1.843 | 71.7 | 3.630 | 1.843 | 71.7 | 1.321 |
| 4 | 400.0 | 10.7 | 49.4 | 7.510 | 1.956 | 72.1 | 3.760 | 1.956 | 72.1 | 1.410 |
| 5 | 500.0 | 8.8 | 49.1 | 7.650 | 2.020 | 72.3 | 3.830 | 2.020 | 72.3 | 1.460 |



65DL55.5

5.5 kw

| TEST NO. | ポンプ PUMP | | | 三相誘起電機 MOTOR | | | | | | |
|----------|-------------|----------------|---------|-----------------|----------|---------|-----------------|----------|---------|-------|
| | 流量 CAPACITY | 全揚程 TOTAL HEAD | 効率 EFF. | 電圧 VOLTS (200V) | | | 電圧 VOLTS (400V) | | | |
| | | | | 電流 CURRENT | 入力 INPUT | 効率 EFF. | 電流 CURRENT | 入力 INPUT | 効率 EFF. | |
| 1 | 0.0 | 26.0 | 0.0 | 13.32 | 3.628 | 70.3 | 6.560 | 3.628 | 70.3 | 2.550 |
| 2 | 100.0 | 25.2 | 14.9 | 13.85 | 3.855 | 71.4 | 6.930 | 3.855 | 71.4 | 2.752 |
| 3 | 500.0 | 22.0 | 48.4 | 16.55 | 4.936 | 75.0 | 8.280 | 4.936 | 75.0 | 3.702 |
| 4 | 700.0 | 20.0 | 54.3 | 18.08 | 5.516 | 76.1 | 9.040 | 5.516 | 76.1 | 4.197 |
| 5 | 950.0 | 17.0 | 56.2 | 19.62 | 6.094 | 76.8 | 9.810 | 6.094 | 76.8 | 4.580 |

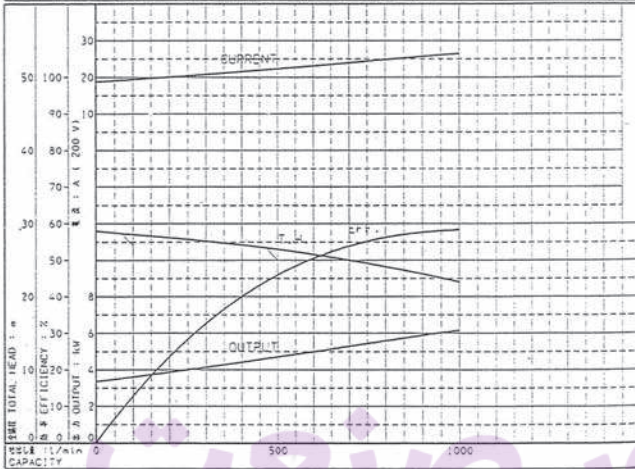


PERFORMANCE CURVE

1450 min⁻¹

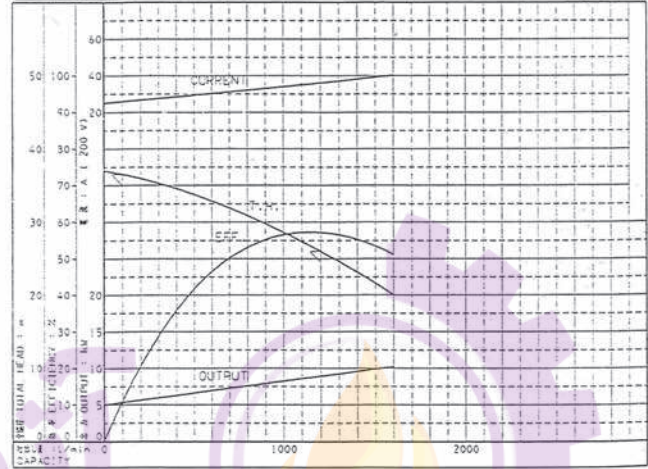
65DLD57.5 7.5 kw

| TEST NO. | ポンプ PUMP | | | モーター MOTOR | | | | | | |
|----------|----------------------|---------------------|--------------|-----------------|----------------|--------------|-----------------|----------------|--------------|-------|
| | 流量 CAPACITY L/min | 全揚程 TOTAL HEAD m | 効率 EFF. % | 電圧 200V | | | 電圧 400V | | | |
| | | | | 電流 CURRENT A | 入力 INPUT kW | 効率 EFF. % | 電流 CURRENT A | 入力 INPUT kW | 効率 EFF. % | |
| 1 | 0 | 29.0 | 0.0 | 18.77 | 4.754 | 70.5 | 9.38 | 4.754 | 70.5 | 3.351 |
| 2 | 100 | 28.5 | 12.9 | 19.38 | 5.028 | 71.6 | 9.69 | 5.028 | 71.6 | 3.600 |
| 3 | 500 | 26.5 | 45.9 | 22.26 | 6.250 | 75.2 | 11.13 | 6.250 | 75.2 | 4.700 |
| 4 | 800 | 24.1 | 56.2 | 24.79 | 7.270 | 76.9 | 12.39 | 7.270 | 76.9 | 5.590 |
| 5 | 1000 | 22.0 | 58.3 | 26.48 | 7.926 | 77.6 | 13.24 | 7.926 | 77.6 | 6.150 |



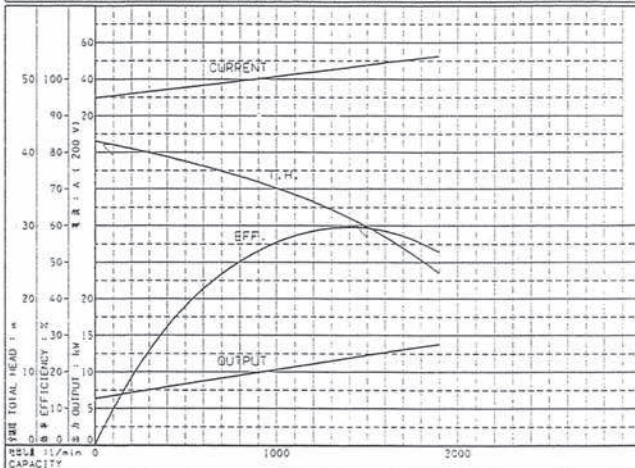
65DL511 11 kw

| TEST NO. | ポンプ PUMP | | | モーター MOTOR | | | | | | |
|----------|----------------------|---------------------|--------------|-----------------|----------------|--------------|-----------------|----------------|--------------|-------|
| | 流量 CAPACITY L/min | 全揚程 TOTAL HEAD m | 効率 EFF. % | 電圧 200V | | | 電圧 400V | | | |
| | | | | 電流 CURRENT A | 入力 INPUT kW | 効率 EFF. % | 電流 CURRENT A | 入力 INPUT kW | 効率 EFF. % | |
| 1 | 0 | 37.0 | 0.0 | 25.02 | 6.72 | 74.5 | 12.51 | 6.72 | 74.5 | 5.00 |
| 2 | 100 | 36.5 | 11.1 | 25.85 | 7.06 | 75.4 | 12.92 | 7.06 | 75.4 | 5.32 |
| 3 | 700 | 31.9 | 50.2 | 31.12 | 9.16 | 79.2 | 15.56 | 9.16 | 79.2 | 7.25 |
| 4 | 1200 | 29.0 | 57.1 | 36.02 | 10.99 | 81.0 | 18.01 | 10.99 | 81.0 | 8.90 |
| 5 | 1600 | 20.0 | 51.1 | 40.14 | 12.47 | 81.8 | 20.07 | 12.47 | 81.8 | 10.20 |



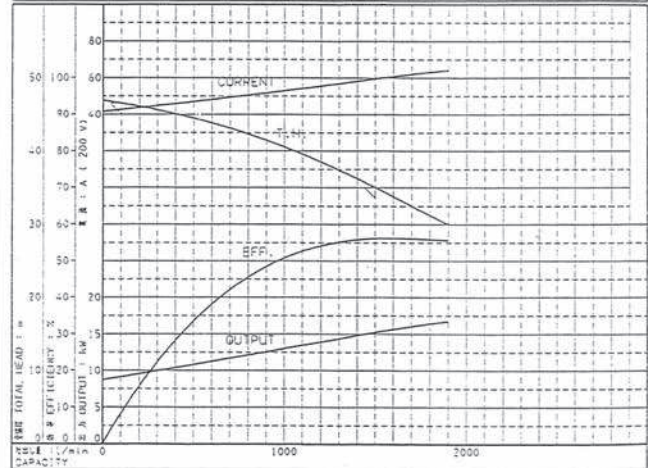
65DL515 15 kw

| TEST NO. | ポンプ PUMP | | | モーター MOTOR | | | | | | |
|----------|----------------------|---------------------|--------------|-----------------|----------------|--------------|-----------------|----------------|--------------|-------|
| | 流量 CAPACITY L/min | 全揚程 TOTAL HEAD m | 効率 EFF. % | 電圧 200V | | | 電圧 400V | | | |
| | | | | 電流 CURRENT A | 入力 INPUT kW | 効率 EFF. % | 電流 CURRENT A | 入力 INPUT kW | 効率 EFF. % | |
| 1 | 0 | 41.5 | 0.0 | 29.67 | 8.36 | 75.6 | 14.84 | 8.36 | 75.6 | 6.22 |
| 2 | 100 | 41.0 | 9.9 | 30.92 | 8.81 | 76.5 | 15.46 | 8.81 | 76.5 | 6.74 |
| 3 | 800 | 36.7 | 50.2 | 38.97 | 11.86 | 80.3 | 19.48 | 11.86 | 80.3 | 9.52 |
| 4 | 1500 | 29.8 | 59.2 | 47.64 | 14.99 | 82.1 | 23.82 | 14.99 | 82.1 | 12.30 |
| 5 | 1900 | 23.5 | 52.7 | 52.59 | 16.73 | 82.5 | 26.29 | 16.73 | 82.5 | 13.60 |



65DL518 18.5 kw

| TEST NO. | ポンプ PUMP | | | モーター MOTOR | | | | | | |
|----------|----------------------|---------------------|--------------|-----------------|----------------|--------------|-----------------|----------------|--------------|-------|
| | 流量 CAPACITY L/min | 全揚程 TOTAL HEAD m | 効率 EFF. % | 電圧 200V | | | 電圧 400V | | | |
| | | | | 電流 CURRENT A | 入力 INPUT kW | 効率 EFF. % | 電流 CURRENT A | 入力 INPUT kW | 効率 EFF. % | |
| 1 | 0 | 46.9 | 0.0 | 41.52 | 10.95 | 79.7 | 20.75 | 10.95 | 79.7 | 8.72 |
| 2 | 100 | 46.5 | 8.3 | 42.50 | 11.36 | 80.3 | 21.25 | 11.36 | 80.3 | 9.12 |
| 3 | 800 | 42.3 | 45.5 | 50.49 | 14.57 | 83.2 | 25.24 | 14.57 | 83.2 | 12.12 |
| 4 | 1500 | 35.0 | 56.1 | 59.48 | 17.95 | 84.9 | 29.76 | 17.95 | 84.9 | 15.24 |
| 5 | 1900 | 30.0 | 55.6 | 63.95 | 19.59 | 85.3 | 31.97 | 19.59 | 85.3 | 16.71 |

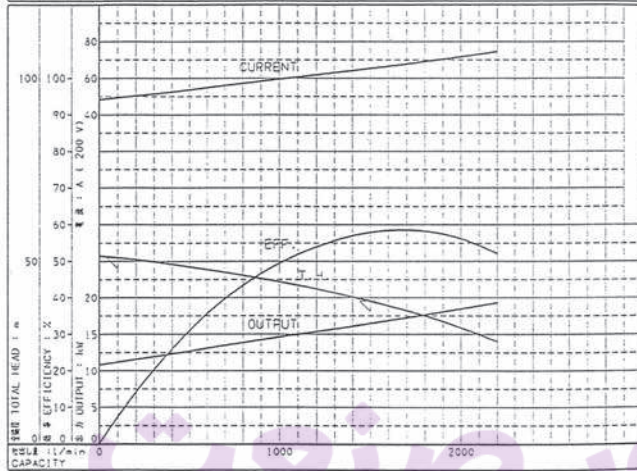


PERFORMANCE CURVE

1450 min⁻¹

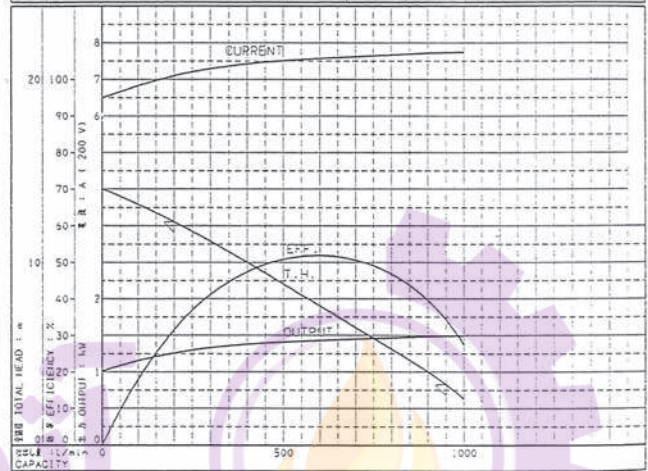
65DL522 22 kw

| TEST NO. | ポンプ PUMP | | | 三相誘起電動機 MOTOR | | | | | | |
|----------|----------------------------------|------------------------|--------------|--------------------|-------------------|--------------|--------------------|-------------------|--------------|--------------------|
| | 吐出容量 DISCH. CAPACITY l/min | 総揚程 TOTAL HEAD m | 効率 EFF. % | 電圧 VOLTS (200V) | | | 電圧 VOLTS (400V) | | | 出力 OUTPUT kW |
| | | | | 電流 CURRENT A | 入力 INPUT kW | 効率 EFF. % | 電流 CURRENT A | 入力 INPUT kW | 効率 EFF. % | |
| 1 | 0 | 51.5 | 0.0 | 48.33 | 13.72 | 79.1 | 24.17 | 13.72 | 79.1 | 10.25 |
| 2 | 100 | 51.0 | 7.4 | 49.24 | 14.10 | 79.4 | 24.62 | 14.10 | 79.4 | 11.19 |
| 3 | 800 | 46.1 | 43.2 | 57.14 | 17.01 | 81.5 | 28.57 | 17.01 | 81.5 | 13.86 |
| 4 | 1500 | 39.0 | 57.8 | 65.27 | 19.92 | 82.7 | 32.64 | 19.92 | 82.7 | 16.47 |
| 5 | 2200 | 28.0 | 52.0 | 74.53 | 23.09 | 83.6 | 37.27 | 23.09 | 83.6 | 19.30 |



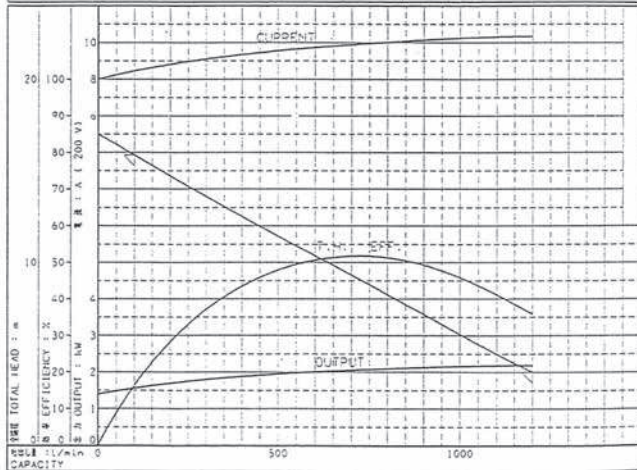
80DL51.5 1.5 kw

| TEST NO. | ポンプ PUMP | | | 三相誘起電動機 MOTOR | | | | | | |
|----------|----------------------------------|------------------------|--------------|--------------------|-------------------|--------------|--------------------|-------------------|--------------|--------------------|
| | 吐出容量 DISCH. CAPACITY l/min | 総揚程 TOTAL HEAD m | 効率 EFF. % | 電圧 VOLTS (200V) | | | 電圧 VOLTS (400V) | | | 出力 OUTPUT kW |
| | | | | 電流 CURRENT A | 入力 INPUT kW | 効率 EFF. % | 電流 CURRENT A | 入力 INPUT kW | 効率 EFF. % | |
| 1 | 0 | 14.0 | 0.0 | 6.490 | 1.466 | 68.9 | 3.250 | 1.466 | 68.9 | 1.010 |
| 2 | 400 | 10.0 | 47.2 | 7.430 | 1.916 | 72.0 | 3.720 | 1.916 | 72.0 | 1.379 |
| 3 | 600 | 7.6 | 51.9 | 7.570 | 1.982 | 72.2 | 3.790 | 1.982 | 72.2 | 1.431 |
| 4 | 900 | 4.0 | 39.5 | 7.710 | 2.050 | 72.3 | 3.860 | 2.050 | 72.3 | 1.482 |
| 5 | 1000 | 2.5 | 27.3 | 7.740 | 2.061 | 72.3 | 3.870 | 2.061 | 72.3 | 1.490 |



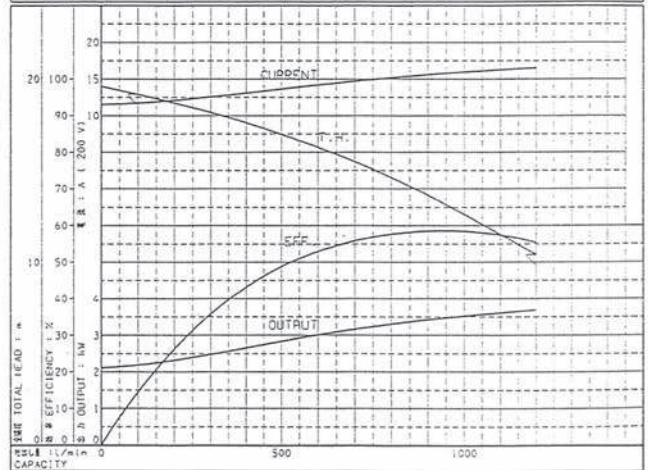
80DL52.2 2.2 kw

| TEST NO. | ポンプ PUMP | | | 三相誘起電動機 MOTOR | | | | | | |
|----------|----------------------------------|------------------------|--------------|--------------------|-------------------|--------------|--------------------|-------------------|--------------|--------------------|
| | 吐出容量 DISCH. CAPACITY l/min | 総揚程 TOTAL HEAD m | 効率 EFF. % | 電圧 VOLTS (200V) | | | 電圧 VOLTS (400V) | | | 出力 OUTPUT kW |
| | | | | 電流 CURRENT A | 入力 INPUT kW | 効率 EFF. % | 電流 CURRENT A | 入力 INPUT kW | 効率 EFF. % | |
| 1 | 0 | 17.0 | 0.0 | 3.00 | 2.057 | 67.6 | 4.000 | 2.057 | 67.6 | 1.390 |
| 2 | 400 | 12.5 | 43.3 | 4.35 | 2.645 | 71.0 | 4.680 | 2.645 | 71.0 | 1.873 |
| 3 | 700 | 9.3 | 51.7 | 4.87 | 2.860 | 71.7 | 4.940 | 2.860 | 71.7 | 2.050 |
| 4 | 1100 | 5.0 | 41.1 | 10.30 | 3.021 | 72.2 | 5.150 | 3.021 | 72.2 | 2.181 |
| 5 | 1200 | 4.0 | 35.7 | 10.33 | 3.034 | 72.2 | 5.170 | 3.034 | 72.2 | 2.190 |



80DL53.7 3.7 kw

| TEST NO. | ポンプ PUMP | | | 三相誘起電動機 MOTOR | | | | | | |
|----------|----------------------------------|------------------------|--------------|--------------------|-------------------|--------------|--------------------|-------------------|--------------|--------------------|
| | 吐出容量 DISCH. CAPACITY l/min | 総揚程 TOTAL HEAD m | 効率 EFF. % | 電圧 VOLTS (200V) | | | 電圧 VOLTS (400V) | | | 出力 OUTPUT kW |
| | | | | 電流 CURRENT A | 入力 INPUT kW | 効率 EFF. % | 電流 CURRENT A | 入力 INPUT kW | 効率 EFF. % | |
| 1 | 0 | 19.6 | 0.0 | 11.51 | 3.184 | 66.3 | 5.760 | 3.184 | 66.3 | 2.111 |
| 2 | 400 | 17.6 | 43.2 | 13.06 | 3.837 | 69.2 | 6.930 | 3.837 | 69.2 | 2.653 |
| 3 | 800 | 14.5 | 57.6 | 15.16 | 4.639 | 71.2 | 7.980 | 4.639 | 71.2 | 3.303 |
| 4 | 1000 | 12.6 | 58.3 | 15.93 | 4.915 | 71.6 | 7.970 | 4.915 | 71.6 | 3.519 |
| 5 | 1200 | 10.4 | 55.2 | 16.50 | 5.120 | 71.9 | 8.250 | 5.120 | 71.9 | 3.681 |

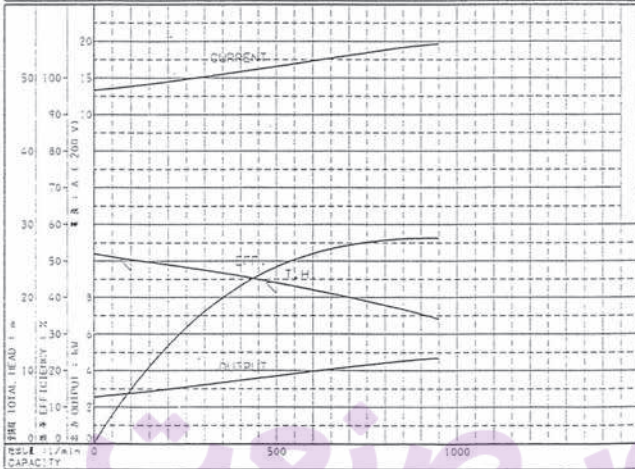


PERFORMANCE CURVE

1450 min⁻¹

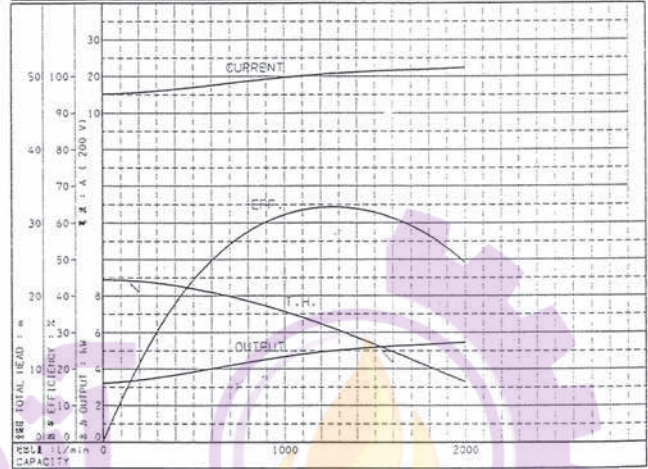
80DLD55.5 5.5 kw

| TEST NO. | ポンプ PUMP | | | モーター MOTOR | | | | | | 吐出量 OUTPUT |
|----------|-------------|----------------|---------|-----------------|----------|---------|-----------------|----------|---------|------------|
| | 流量 CAPACITY | 総揚程 TOTAL HEAD | 効率 EFF. | 電圧 VOLTS (200V) | | | 電圧 VOLTS (400V) | | | |
| | | | | 電流 CURRENT | 入力 INPUT | 効率 EFF. | 電流 CURRENT | 入力 INPUT | 効率 EFF. | |
| 1 | 0.0 | 26.0 | 0.0 | 13.32 | 3.628 | 70.3 | 6.660 | 3.628 | 70.3 | 2.550 |
| 2 | 100.0 | 25.2 | 14.9 | 13.85 | 3.855 | 71.4 | 6.930 | 3.855 | 71.4 | 2.752 |
| 3 | 500.0 | 22.0 | 48.4 | 16.55 | 4.936 | 75.0 | 6.280 | 4.936 | 75.0 | 3.702 |
| 4 | 700.0 | 20.0 | 54.3 | 18.08 | 5.516 | 76.1 | 6.040 | 5.516 | 76.1 | 4.197 |
| 5 | 950.0 | 17.0 | 56.2 | 19.62 | 6.094 | 76.8 | 6.094 | 6.094 | 76.8 | 4.680 |



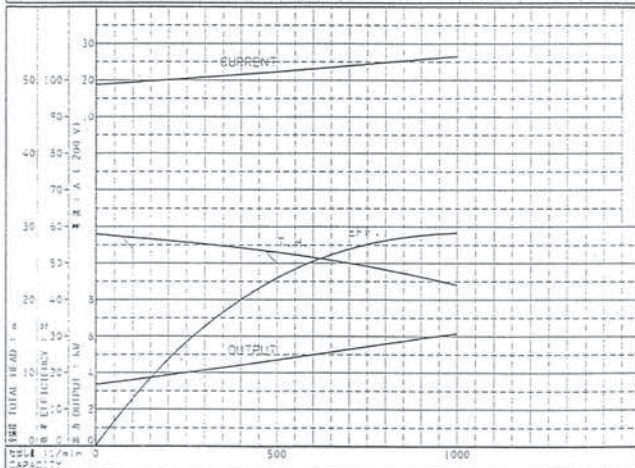
80DLC55.5 5.5 kw

| TEST NO. | ポンプ PUMP | | | モーター MOTOR | | | | | | 吐出量 OUTPUT |
|----------|-------------|----------------|---------|-----------------|----------|---------|-----------------|----------|---------|------------|
| | 流量 CAPACITY | 総揚程 TOTAL HEAD | 効率 EFF. | 電圧 VOLTS (200V) | | | 電圧 VOLTS (400V) | | | |
| | | | | 電流 CURRENT | 入力 INPUT | 効率 EFF. | 電流 CURRENT | 入力 INPUT | 効率 EFF. | |
| 1 | 0 | 22.2 | 0.0 | 15.20 | 4.384 | 73.5 | 7.60 | 4.384 | 73.5 | 3.222 |
| 2 | 650 | 20.2 | 52.1 | 17.80 | 5.404 | 75.9 | 8.90 | 5.404 | 75.9 | 4.101 |
| 3 | 1000 | 17.8 | 62.1 | 19.70 | 6.082 | 76.8 | 9.85 | 6.082 | 76.8 | 4.671 |
| 4 | 1400 | 14.3 | 63.8 | 21.10 | 6.618 | 77.2 | 10.55 | 6.618 | 77.2 | 5.109 |
| 5 | 2000 | 8.2 | 48.9 | 22.30 | 7.047 | 77.5 | 11.15 | 7.047 | 77.5 | 5.461 |



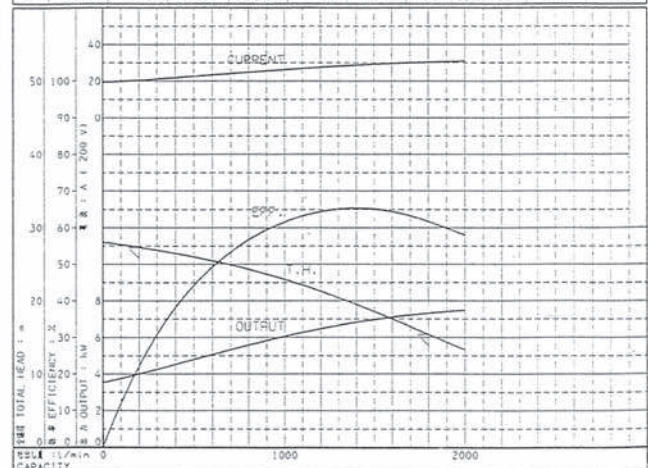
80DLD57.5 7.5 kw

| TEST NO. | ポンプ PUMP | | | モーター MOTOR | | | | | | 吐出量 OUTPUT |
|----------|-------------|----------------|---------|-----------------|----------|---------|-----------------|----------|---------|------------|
| | 流量 CAPACITY | 総揚程 TOTAL HEAD | 効率 EFF. | 電圧 VOLTS (200V) | | | 電圧 VOLTS (400V) | | | |
| | | | | 電流 CURRENT | 入力 INPUT | 効率 EFF. | 電流 CURRENT | 入力 INPUT | 効率 EFF. | |
| 1 | 0 | 29.0 | 0.0 | 18.77 | 4.754 | 70.3 | 8.38 | 4.754 | 70.3 | 3.351 |
| 2 | 100 | 28.5 | 12.9 | 19.38 | 5.028 | 71.5 | 9.69 | 5.028 | 71.5 | 3.600 |
| 3 | 500 | 26.5 | 45.9 | 22.26 | 6.250 | 75.2 | 11.13 | 6.250 | 75.2 | 4.700 |
| 4 | 800 | 24.1 | 56.2 | 24.79 | 7.270 | 76.9 | 12.39 | 7.270 | 76.9 | 5.590 |
| 5 | 1000 | 22.0 | 58.3 | 26.48 | 7.926 | 77.6 | 13.24 | 7.926 | 77.6 | 6.150 |



80DLC57.5 7.5 kw

| TEST NO. | ポンプ PUMP | | | モーター MOTOR | | | | | | 吐出量 OUTPUT |
|----------|-------------|----------------|---------|-----------------|----------|---------|-----------------|----------|---------|------------|
| | 流量 CAPACITY | 総揚程 TOTAL HEAD | 効率 EFF. | 電圧 VOLTS (200V) | | | 電圧 VOLTS (400V) | | | |
| | | | | 電流 CURRENT | 入力 INPUT | 効率 EFF. | 電流 CURRENT | 入力 INPUT | 効率 EFF. | |
| 1 | 0 | 28.0 | 0.0 | 19.30 | 4.951 | 71.3 | 9.65 | 4.951 | 71.3 | 3.530 |
| 2 | 700 | 24.9 | 53.3 | 24.00 | 6.962 | 76.5 | 12.00 | 6.962 | 76.5 | 5.328 |
| 3 | 1200 | 21.3 | 64.3 | 27.50 | 8.306 | 77.9 | 13.75 | 8.306 | 77.9 | 6.470 |
| 4 | 1500 | 18.5 | 64.9 | 29.10 | 8.894 | 78.3 | 14.55 | 8.894 | 78.3 | 6.964 |
| 5 | 2000 | 13.3 | 57.9 | 30.90 | 9.518 | 78.6 | 15.45 | 9.518 | 78.6 | 7.481 |

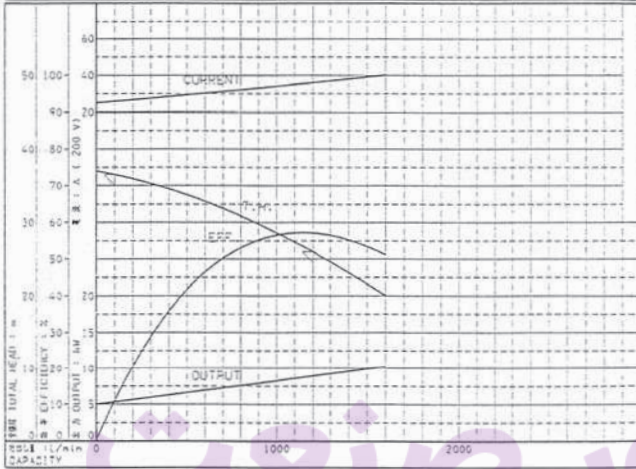


PERFORMANCE CURVE

1450 min⁻¹

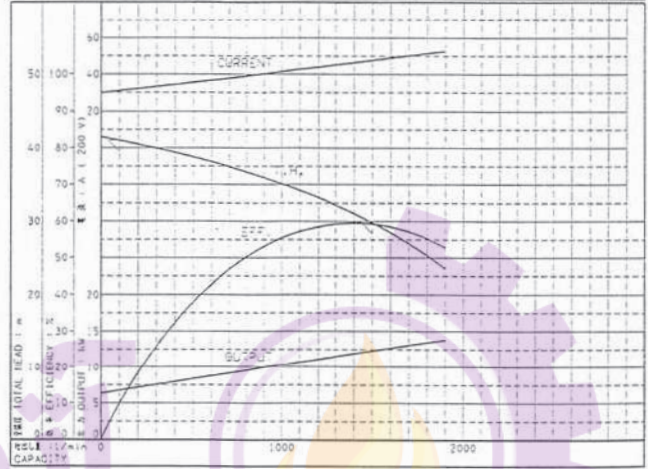
80DL511 11 kw

| TEST NO. | ポンプ PUMP | | | モーター MOTOR | | | | | | |
|----------|-------------------------|-----------------|--------|--------------|-------------|--------|--------------|-------------|--------|-------|
| | TOTAL CAPACITY L/min | TOTAL HEAD m | EFF. % | VOLTS (200V) | | | VOLTS (400V) | | | |
| | | | | CURRENT A | INPUT kW | EFF. % | CURRENT A | INPUT kW | EFF. % | |
| 1 | 0 | 37.0 | 0.0 | 25.02 | 6.72 | 74.5 | 12.51 | 6.72 | 74.5 | 5.00 |
| 2 | 100 | 36.5 | 11.1 | 25.85 | 7.06 | 75.4 | 12.92 | 7.06 | 75.4 | 5.32 |
| 3 | 700 | 31.9 | 50.2 | 31.12 | 9.16 | 79.2 | 15.56 | 9.16 | 79.2 | 7.25 |
| 4 | 1200 | 26.0 | 57.1 | 36.02 | 10.99 | 81.0 | 18.01 | 10.99 | 81.0 | 8.90 |
| 5 | 1600 | 20.0 | 51.1 | 40.14 | 12.47 | 81.8 | 20.07 | 12.47 | 81.8 | 10.20 |



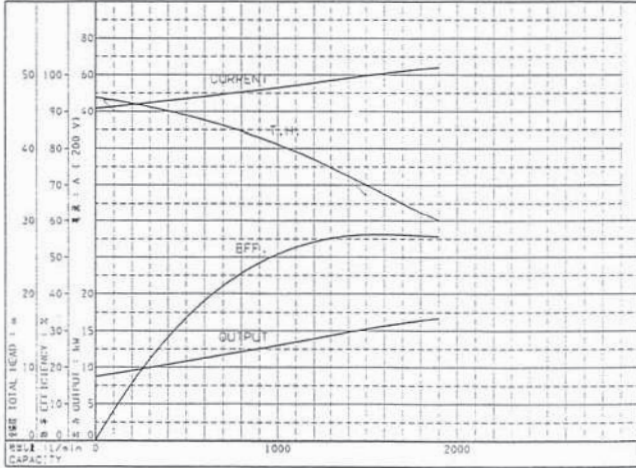
80DL515 15 kw

| TEST NO. | ポンプ PUMP | | | モーター MOTOR | | | | | | |
|----------|-------------------------|-----------------|--------|--------------|-------------|--------|--------------|-------------|--------|-------|
| | TOTAL CAPACITY L/min | TOTAL HEAD m | EFF. % | VOLTS (200V) | | | VOLTS (400V) | | | |
| | | | | CURRENT A | INPUT kW | EFF. % | CURRENT A | INPUT kW | EFF. % | |
| 1 | 0 | 41.5 | 0.0 | 29.57 | 8.36 | 75.5 | 14.54 | 8.36 | 75.5 | 6.32 |
| 2 | 100 | 41.0 | 9.9 | 30.92 | 8.81 | 76.5 | 15.45 | 8.81 | 76.5 | 6.74 |
| 3 | 800 | 36.7 | 50.2 | 38.97 | 11.86 | 80.3 | 19.43 | 11.86 | 80.3 | 9.52 |
| 4 | 1500 | 29.8 | 59.2 | 47.54 | 14.99 | 82.1 | 23.82 | 14.99 | 82.1 | 12.30 |
| 5 | 1900 | 23.5 | 52.7 | 52.59 | 16.73 | 82.5 | 26.29 | 16.73 | 82.5 | 13.80 |



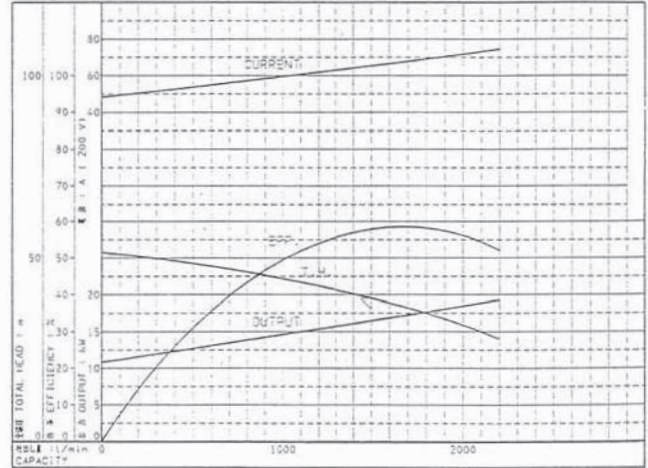
80DL518 18.5 kw

| TEST NO. | ポンプ PUMP | | | モーター MOTOR | | | | | | |
|----------|-------------------------|-----------------|--------|--------------|-------------|--------|--------------|-------------|--------|-------|
| | TOTAL CAPACITY L/min | TOTAL HEAD m | EFF. % | VOLTS (200V) | | | VOLTS (400V) | | | |
| | | | | CURRENT A | INPUT kW | EFF. % | CURRENT A | INPUT kW | EFF. % | |
| 1 | 0 | 46.9 | 0.0 | 41.52 | 10.95 | 79.7 | 20.76 | 10.95 | 79.7 | 8.72 |
| 2 | 100 | 45.5 | 8.3 | 42.50 | 11.36 | 80.3 | 21.23 | 11.36 | 80.3 | 9.12 |
| 3 | 800 | 42.3 | 45.5 | 50.49 | 14.57 | 83.2 | 25.24 | 14.57 | 83.2 | 12.12 |
| 4 | 1500 | 35.0 | 56.1 | 59.48 | 17.95 | 84.7 | 29.74 | 17.95 | 84.7 | 15.24 |
| 5 | 1900 | 30.0 | 55.6 | 63.95 | 19.59 | 85.3 | 31.97 | 19.59 | 85.3 | 16.71 |



80DL522 22 kw

| TEST NO. | ポンプ PUMP | | | モーター MOTOR | | | | | | |
|----------|-------------------------|-----------------|--------|--------------|-------------|--------|--------------|-------------|--------|-------|
| | TOTAL CAPACITY L/min | TOTAL HEAD m | EFF. % | VOLTS (200V) | | | VOLTS (400V) | | | |
| | | | | CURRENT A | INPUT kW | EFF. % | CURRENT A | INPUT kW | EFF. % | |
| 1 | 0 | 51.5 | 0.0 | 48.33 | 13.72 | 79.1 | 24.17 | 13.72 | 79.1 | 10.85 |
| 2 | 100 | 51.0 | 7.4 | 49.24 | 14.10 | 79.4 | 24.62 | 14.10 | 79.4 | 11.19 |
| 3 | 800 | 46.1 | 43.3 | 57.14 | 17.01 | 81.5 | 28.57 | 17.01 | 81.5 | 13.86 |
| 4 | 1500 | 39.0 | 57.5 | 65.27 | 19.92 | 82.7 | 32.54 | 19.92 | 82.7 | 16.67 |
| 5 | 2200 | 28.0 | 52.0 | 74.33 | 23.09 | 83.5 | 37.27 | 23.09 | 83.5 | 19.30 |

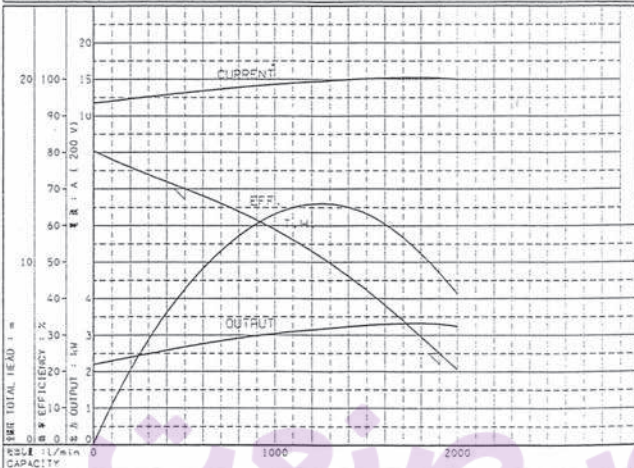


PERFORMANCE CURVE

1450 min⁻¹

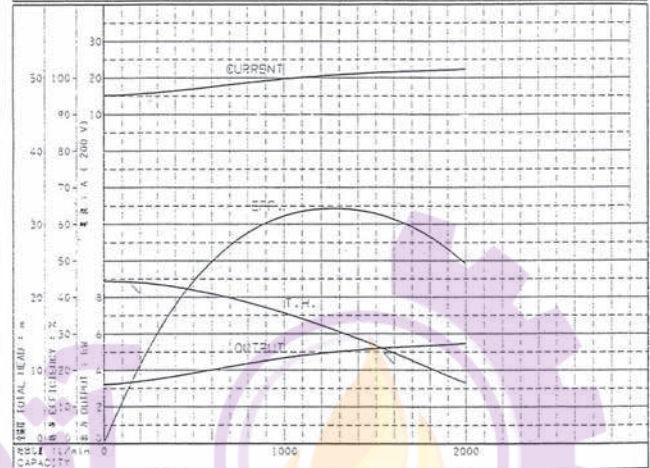
100DL53.7 3.7 kw

| TEST NO. | ポンプ PUMP | | | モーター MOTOR | | | | | | |
|----------|-------------|----------------|---------|------------------------|----------|---------|------------------------|----------|---------|-------|
| | 流量 CAPACITY | 総揚程 TOTAL HEAD | 効率 EFF. | 電圧 200V E VOLTS (200V) | | | 電圧 400V E VOLTS (400V) | | | |
| | | | | 電流 CURRENT | 入力 INPUT | 効率 EFF. | 電流 CURRENT | 入力 INPUT | 効率 EFF. | |
| 1 | 0 | 16.1 | 0.0 | 11.76 | 3.290 | 66.9 | 5.880 | 3.290 | 66.9 | 2.201 |
| 2 | 600 | 13.6 | 48.1 | 13.40 | 3.966 | 69.7 | 6.700 | 3.966 | 69.7 | 2.764 |
| 3 | 1200 | 10.6 | 65.8 | 14.65 | 4.439 | 70.9 | 7.330 | 4.439 | 70.9 | 3.147 |
| 4 | 1800 | 5.9 | 52.1 | 15.23 | 4.654 | 71.3 | 7.620 | 4.554 | 71.3 | 3.318 |
| 5 | 2000 | 4.1 | 41.2 | 14.95 | 4.559 | 71.1 | 7.480 | 4.559 | 71.1 | 3.241 |



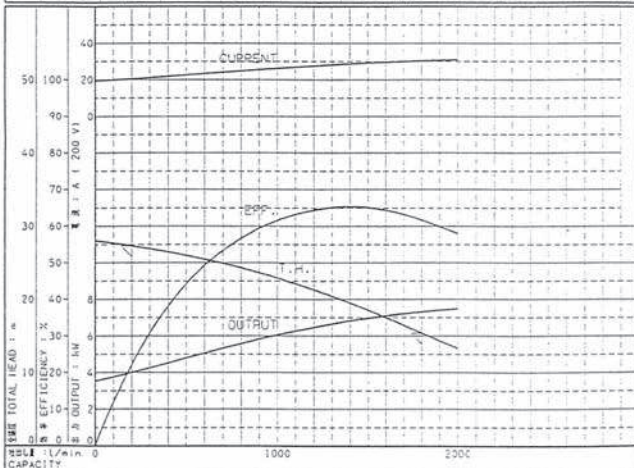
100DL55.5 5.5 kw

| TEST NO. | ポンプ PUMP | | | モーター MOTOR | | | | | | |
|----------|-------------|----------------|---------|------------------------|----------|---------|------------------------|----------|---------|-------|
| | 流量 CAPACITY | 総揚程 TOTAL HEAD | 効率 EFF. | 電圧 200V E VOLTS (200V) | | | 電圧 400V E VOLTS (400V) | | | |
| | | | | 電流 CURRENT | 入力 INPUT | 効率 EFF. | 電流 CURRENT | 入力 INPUT | 効率 EFF. | |
| 1 | 0 | 22.2 | 0.0 | 15.20 | 4.384 | 73.5 | 7.60 | 4.384 | 73.5 | 3.222 |
| 2 | 650 | 20.2 | 52.1 | 17.80 | 5.404 | 75.9 | 8.90 | 5.404 | 75.9 | 4.101 |
| 3 | 1000 | 17.8 | 62.1 | 19.70 | 6.082 | 76.8 | 9.85 | 6.082 | 76.8 | 4.671 |
| 4 | 1400 | 14.3 | 63.8 | 21.10 | 6.618 | 77.2 | 10.55 | 6.618 | 77.2 | 5.109 |
| 5 | 2000 | 8.2 | 48.9 | 22.30 | 7.047 | 77.5 | 11.15 | 7.047 | 77.5 | 5.461 |



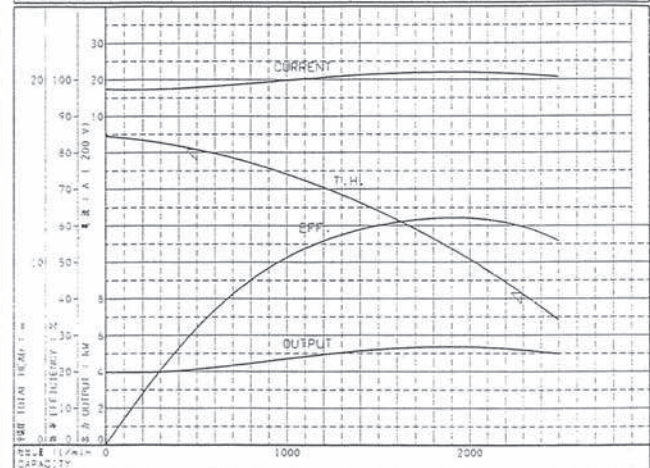
100DL57.5 7.5 kw

| TEST NO. | ポンプ PUMP | | | モーター MOTOR | | | | | | |
|----------|-------------|----------------|---------|------------------------|----------|---------|------------------------|----------|---------|-------|
| | 流量 CAPACITY | 総揚程 TOTAL HEAD | 効率 EFF. | 電圧 200V E VOLTS (200V) | | | 電圧 400V E VOLTS (400V) | | | |
| | | | | 電流 CURRENT | 入力 INPUT | 効率 EFF. | 電流 CURRENT | 入力 INPUT | 効率 EFF. | |
| 1 | 0 | 28.0 | 0.0 | 19.30 | 4.951 | 71.3 | 9.63 | 4.951 | 71.3 | 3.330 |
| 2 | 700 | 24.9 | 53.3 | 24.00 | 6.962 | 76.5 | 12.00 | 6.962 | 76.5 | 3.325 |
| 3 | 1200 | 21.3 | 64.3 | 27.50 | 8.306 | 77.9 | 13.75 | 8.306 | 77.9 | 3.470 |
| 4 | 1500 | 18.5 | 64.9 | 29.10 | 8.894 | 78.3 | 14.55 | 8.894 | 78.3 | 3.764 |
| 5 | 2000 | 13.3 | 57.9 | 30.90 | 9.518 | 78.6 | 15.45 | 9.518 | 78.6 | 4.481 |



100DLB55.5 5.5 kw

| TEST NO. | ポンプ PUMP | | | モーター MOTOR | | | | | | |
|----------|-------------|----------------|---------|------------------------|----------|---------|------------------------|----------|---------|-------|
| | 流量 CAPACITY | 総揚程 TOTAL HEAD | 効率 EFF. | 電圧 200V E VOLTS (200V) | | | 電圧 400V E VOLTS (400V) | | | |
| | | | | 電流 CURRENT | 入力 INPUT | 効率 EFF. | 電流 CURRENT | 入力 INPUT | 効率 EFF. | |
| 1 | 0 | 16.9 | 0.0 | 17.40 | 5.261 | 75.7 | 8.70 | 5.261 | 75.7 | 3.682 |
| 2 | 1000 | 14.8 | 51.3 | 19.70 | 6.123 | 76.8 | 9.85 | 6.123 | 76.8 | 4.702 |
| 3 | 1500 | 12.8 | 60.0 | 21.50 | 6.743 | 77.3 | 10.75 | 6.743 | 77.3 | 5.212 |
| 4 | 2200 | 8.9 | 60.7 | 21.60 | 6.792 | 77.3 | 10.80 | 6.792 | 77.3 | 5.250 |
| 5 | 2500 | 6.8 | 55.7 | 20.60 | 6.447 | 77.1 | 10.30 | 6.447 | 77.1 | 4.970 |

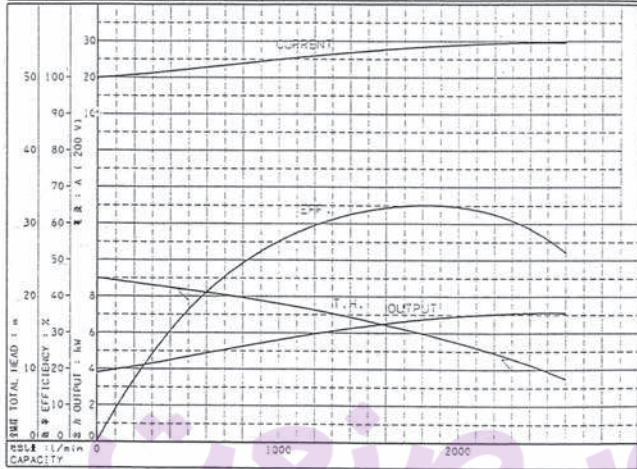


PERFORMANCE CURVE

1450 min⁻¹

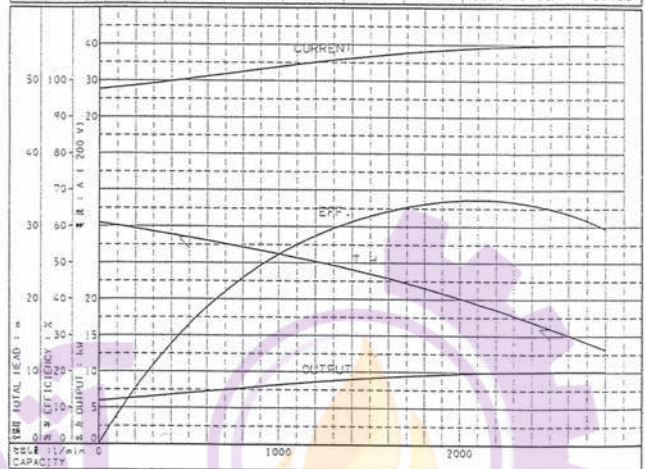
100DLB57.5 7.5 kw

| TEST NO. | ポンプ PUMP | | | モーター MOTOR | | | | | | 出力 OUTPUT |
|----------|----------------|---------|-----------------|------------|---------|-----------------|----------|---------|------|-----------|
| | 総揚程 TOTAL HEAD | 効率 EFF. | 電圧 VOLTS (200V) | | | 電圧 VOLTS (400V) | | | | |
| | | | 電流 CURRENT | 入力 INPUT | 効率 EFF. | 電流 CURRENT | 入力 INPUT | 効率 EFF. | | |
| 1 | 0 | 22.5 | 0.0 | 19.90 | 5.242 | 72.5 | 9.95 | 5.242 | 72.5 | 3.800 |
| 2 | 1000 | 19.0 | 55.1 | 24.90 | 7.301 | 76.9 | 12.43 | 7.301 | 76.9 | 5.614 |
| 3 | 1700 | 15.5 | 64.7 | 28.00 | 8.493 | 78.1 | 14.00 | 8.493 | 78.1 | 6.633 |
| 4 | 2300 | 11.5 | 60.9 | 29.50 | 9.022 | 78.4 | 14.75 | 9.022 | 78.4 | 7.073 |
| 5 | 2600 | 8.7 | 52.0 | 29.50 | 9.048 | 78.4 | 14.75 | 9.048 | 78.4 | 7.093 |



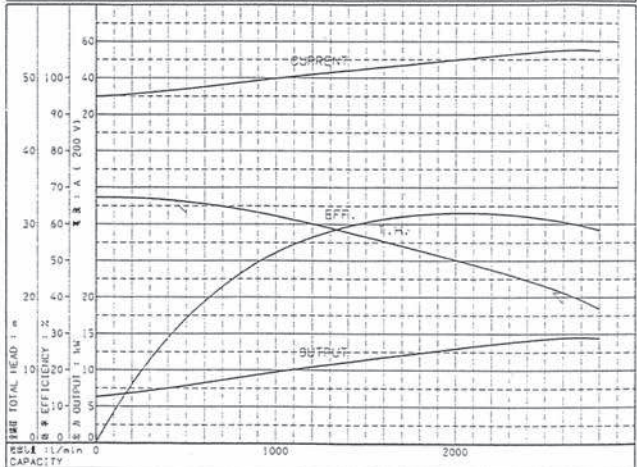
100DL511 11 kw

| TEST NO. | ポンプ PUMP | | | モーター MOTOR | | | | | | 出力 OUTPUT |
|----------|----------------|---------|-----------------|------------|---------|-----------------|----------|---------|------|-----------|
| | 総揚程 TOTAL HEAD | 効率 EFF. | 電圧 VOLTS (200V) | | | 電圧 VOLTS (400V) | | | | |
| | | | 電流 CURRENT | 入力 INPUT | 効率 EFF. | 電流 CURRENT | 入力 INPUT | 効率 EFF. | | |
| 1 | 0 | 30.5 | 0.0 | 27.60 | 7.74 | 76.9 | 13.80 | 7.74 | 76.9 | 5.95 |
| 2 | 1000 | 26.2 | 52.3 | 33.80 | 10.17 | 80.3 | 16.90 | 10.17 | 80.3 | 8.16 |
| 3 | 1700 | 22.2 | 65.3 | 37.70 | 11.59 | 81.3 | 18.90 | 11.59 | 81.3 | 9.42 |
| 4 | 2500 | 16.0 | 64.8 | 39.70 | 12.31 | 81.7 | 19.90 | 12.31 | 81.7 | 10.05 |
| 5 | 2800 | 13.1 | 59.3 | 39.80 | 12.34 | 81.7 | 19.90 | 12.34 | 81.7 | 10.08 |



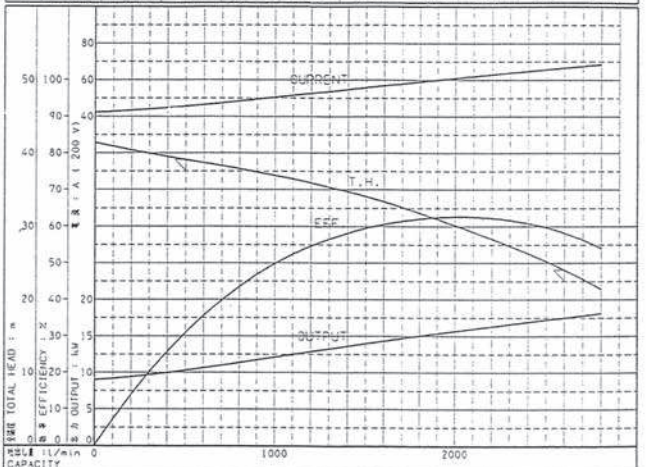
100DL515 15 kw

| TEST NO. | ポンプ PUMP | | | モーター MOTOR | | | | | | 出力 OUTPUT |
|----------|----------------|---------|-----------------|------------|---------|-----------------|----------|---------|------|-----------|
| | 総揚程 TOTAL HEAD | 効率 EFF. | 電圧 VOLTS (200V) | | | 電圧 VOLTS (400V) | | | | |
| | | | 電流 CURRENT | 入力 INPUT | 効率 EFF. | 電流 CURRENT | 入力 INPUT | 効率 EFF. | | |
| 1 | 0 | 33.5 | 0.0 | 29.50 | 8.32 | 75.5 | 14.80 | 8.32 | 75.5 | 6.28 |
| 2 | 1000 | 31.1 | 52.0 | 39.50 | 12.09 | 80.5 | 19.30 | 12.09 | 80.5 | 9.73 |
| 3 | 1700 | 27.0 | 62.0 | 46.90 | 14.70 | 82.0 | 23.50 | 14.70 | 82.0 | 13.05 |
| 4 | 2500 | 21.5 | 61.3 | 54.30 | 17.28 | 82.7 | 27.20 | 17.28 | 82.7 | 14.29 |
| 5 | 2800 | 18.4 | 58.3 | 54.70 | 17.42 | 82.7 | 27.40 | 17.42 | 82.7 | 14.40 |



100DL518 18.5 kw

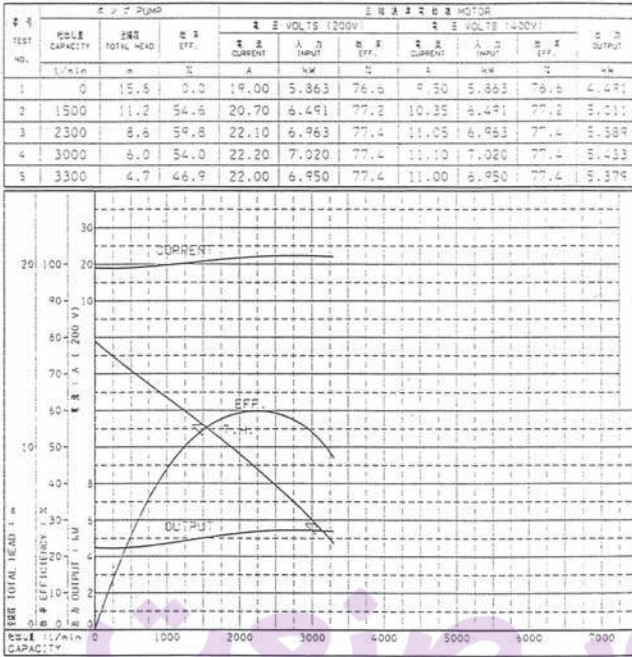
| TEST NO. | ポンプ PUMP | | | モーター MOTOR | | | | | | 出力 OUTPUT |
|----------|----------------|---------|-----------------|------------|---------|-----------------|----------|---------|------|-----------|
| | 総揚程 TOTAL HEAD | 効率 EFF. | 電圧 VOLTS (200V) | | | 電圧 VOLTS (400V) | | | | |
| | | | 電流 CURRENT | 入力 INPUT | 効率 EFF. | 電流 CURRENT | 入力 INPUT | 効率 EFF. | | |
| 1 | 0 | 41.4 | 0.0 | 42.20 | 11.21 | 80.1 | 21.10 | 11.21 | 80.1 | 8.98 |
| 2 | 1000 | 36.9 | 49.7 | 50.40 | 14.55 | 83.2 | 25.20 | 14.55 | 83.2 | 12.10 |
| 3 | 1700 | 32.6 | 61.4 | 57.90 | 17.37 | 84.5 | 29.00 | 17.37 | 84.5 | 14.69 |
| 4 | 2500 | 25.2 | 59.6 | 65.60 | 20.13 | 85.5 | 32.80 | 20.13 | 85.5 | 17.21 |
| 5 | 2800 | 21.4 | 53.9 | 68.40 | 21.11 | 85.7 | 34.20 | 21.11 | 85.7 | 18.09 |



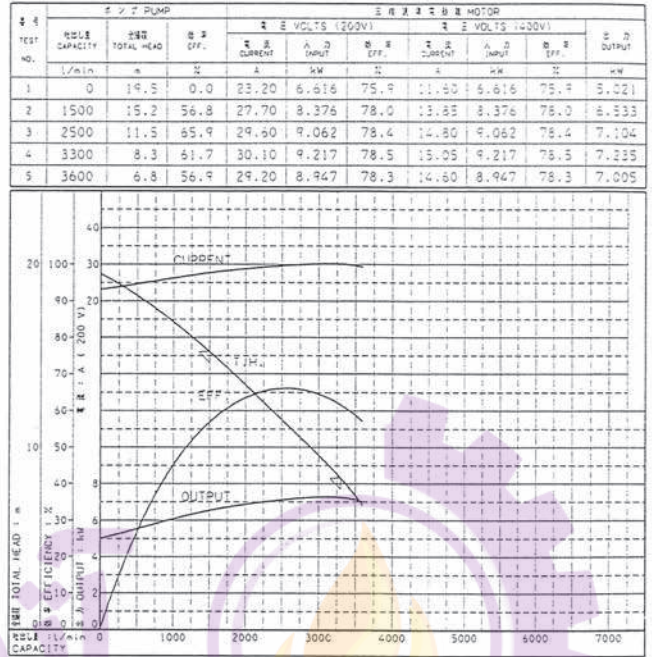
PERFORMANCE CURVE

1450 min⁻¹

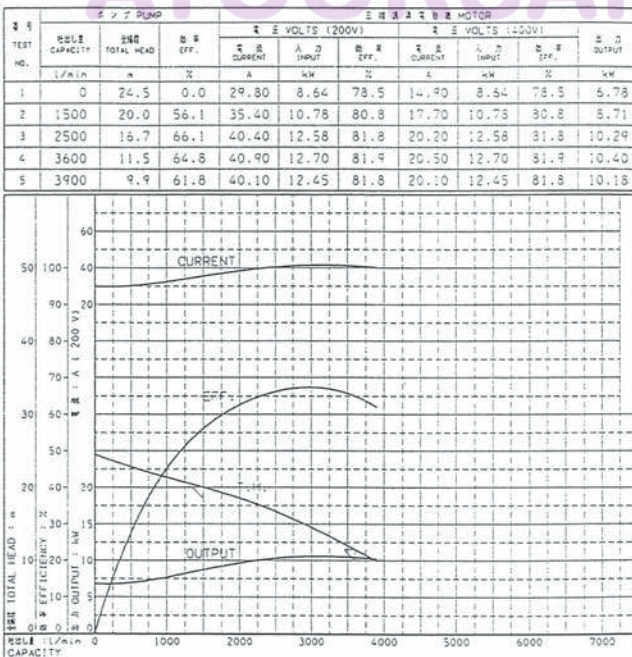
150DL55.5 5.5 kw



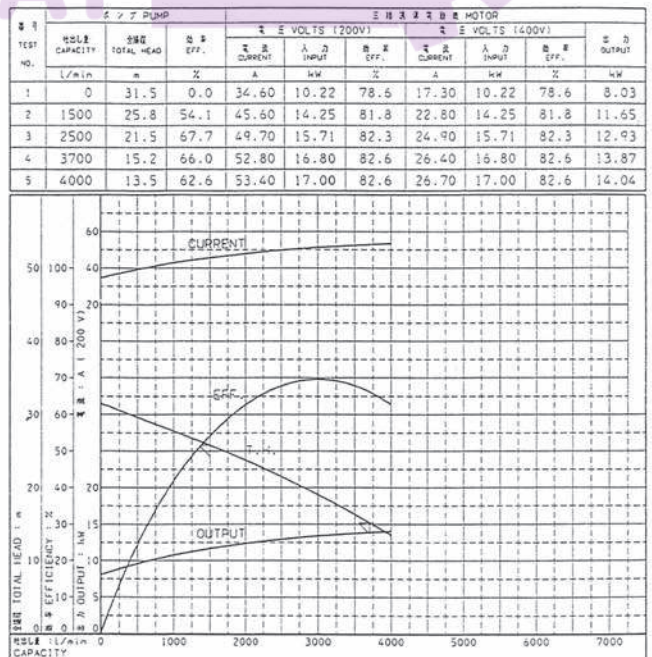
150DL57.5 7.5 kw



150DL511 11 kw



150DL515 15 kw

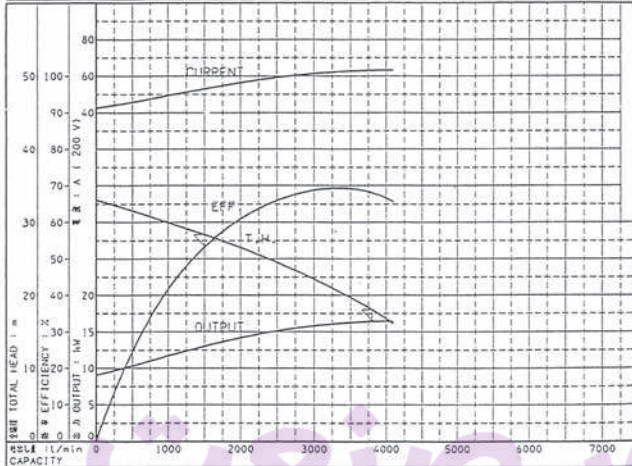


PERFORMANCE CURVE

1450 min⁻¹

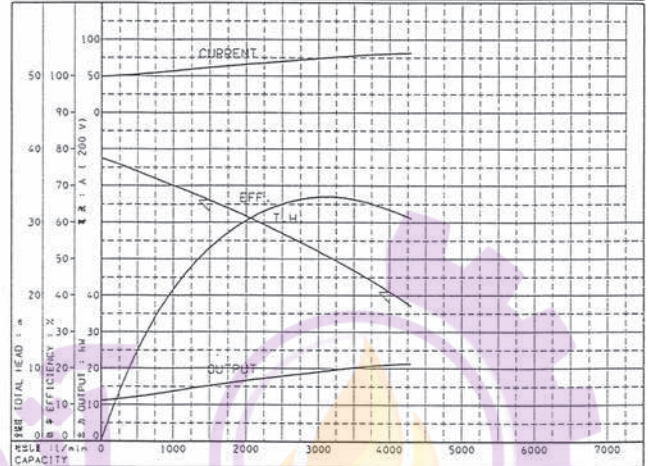
150DL518 18.5 kw

| TEST NO. | ポンプ PUMP | | | 三相誘起電機 MOTOR | | | | | | 出力 OUTPUT kW |
|----------|--------------------|------------------|------------|-----------------|-------------|-----------|-----------------|-------------|-----------|--------------|
| | 総流量 CAPACITY L/min | 総揚程 TOTAL HEAD m | 総効率 EFF. % | 電圧 VOLTS (200V) | | | 電圧 VOLTS (400V) | | | |
| | | | | 電流 CURRENT A | 入力 INPUT kW | 効率 EFF. % | 電流 CURRENT A | 入力 INPUT kW | 効率 EFF. % | |
| 1 | 0 | 33.0 | 0.0 | 42.40 | 11.28 | 80.2 | 21.20 | 11.28 | 80.2 | 9.04 |
| 2 | 1500 | 28.3 | 53.1 | 53.00 | 15.54 | 83.8 | 26.50 | 15.54 | 83.8 | 13.02 |
| 3 | 2500 | 24.5 | 65.9 | 59.20 | 17.85 | 84.8 | 29.60 | 17.85 | 84.8 | 15.13 |
| 4 | 3800 | 18.0 | 67.9 | 63.00 | 19.23 | 85.3 | 31.50 | 19.23 | 85.3 | 16.40 |
| 5 | 4100 | 16.1 | 65.6 | 63.00 | 19.23 | 85.3 | 31.50 | 19.23 | 85.3 | 16.40 |



150DL522 22 kw

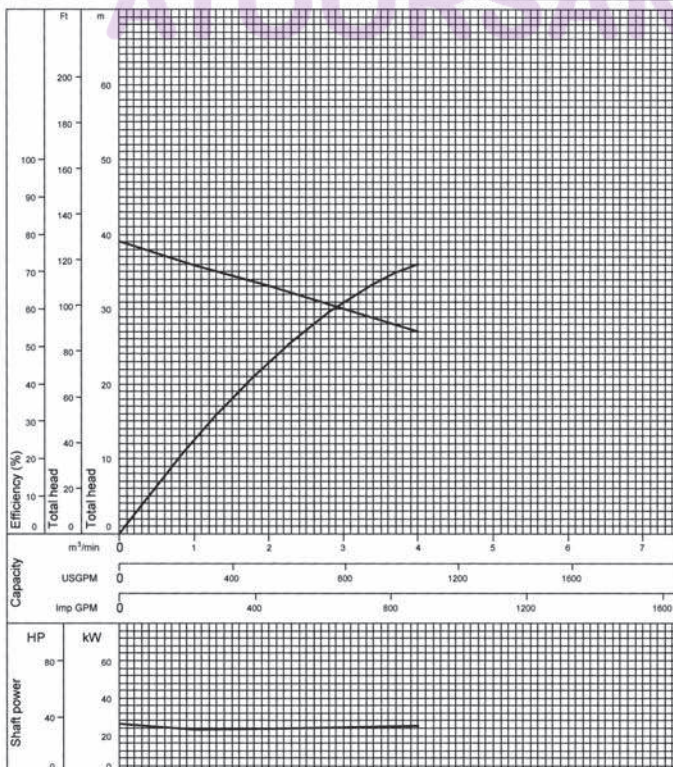
| TEST NO. | ポンプ PUMP | | | 三相誘起電機 MOTOR | | | | | | 出力 OUTPUT kW |
|----------|--------------------|------------------|------------|-----------------|-------------|-----------|-----------------|-------------|-----------|--------------|
| | 総流量 CAPACITY L/min | 総揚程 TOTAL HEAD m | 総効率 EFF. % | 電圧 VOLTS (200V) | | | 電圧 VOLTS (400V) | | | |
| | | | | 電流 CURRENT A | 入力 INPUT kW | 効率 EFF. % | 電流 CURRENT A | 入力 INPUT kW | 効率 EFF. % | |
| 1 | 0 | 38.8 | 0.0 | 49.10 | 14.02 | 79.4 | 24.60 | 14.02 | 79.4 | 11.13 |
| 2 | 1500 | 33.0 | 53.0 | 61.20 | 18.52 | 82.2 | 30.60 | 18.52 | 82.2 | 15.22 |
| 3 | 2500 | 28.5 | 65.0 | 69.90 | 21.47 | 83.2 | 35.00 | 21.47 | 83.2 | 17.86 |
| 4 | 4000 | 20.5 | 63.4 | 80.60 | 25.09 | 83.9 | 40.30 | 25.09 | 83.9 | 21.05 |
| 5 | 4300 | 18.5 | 60.9 | 81.30 | 25.34 | 83.9 | 40.70 | 25.34 | 83.9 | 21.26 |



150DL530

According to JIS testing code B8301, B8302

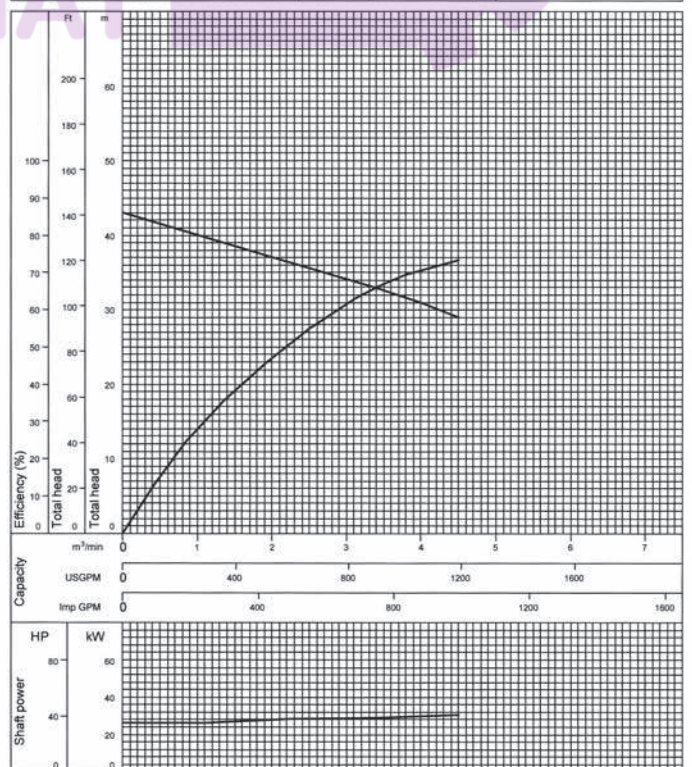
50Hz (Nominal speed 1450min⁻¹) S.G.= 1.0 Vis.= 1.0 cSt



150DL537

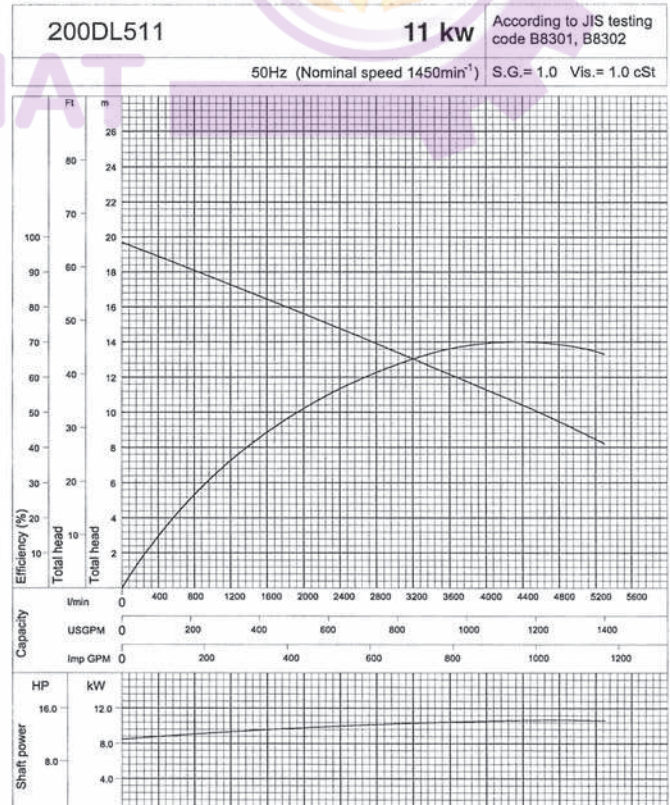
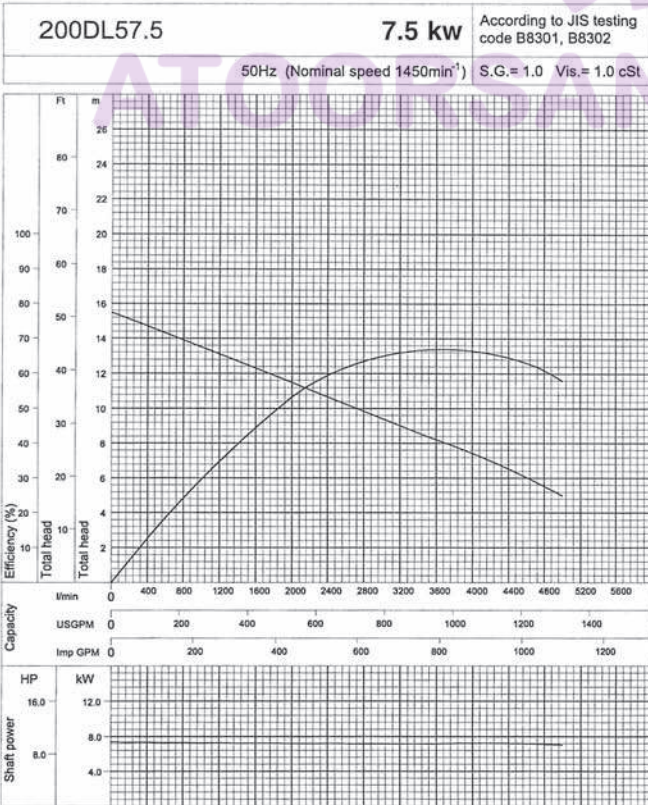
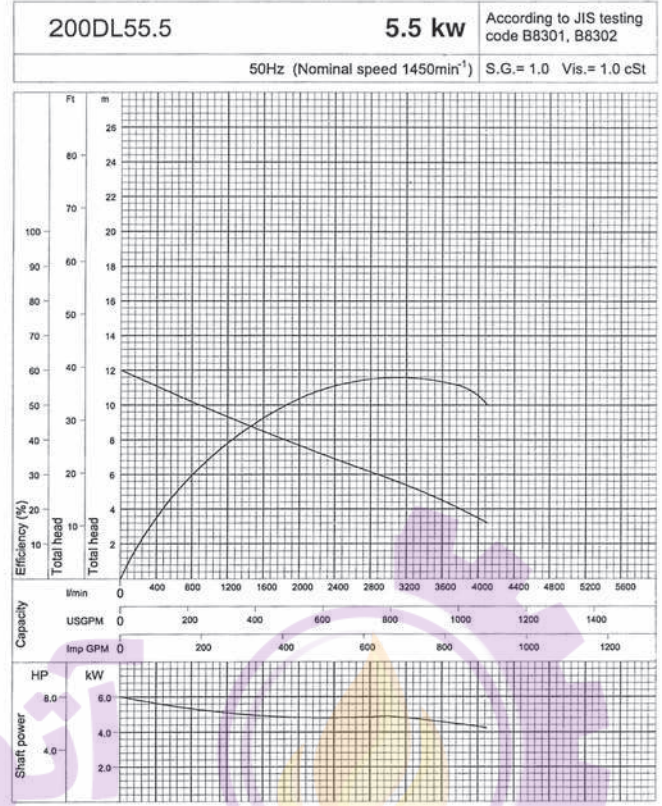
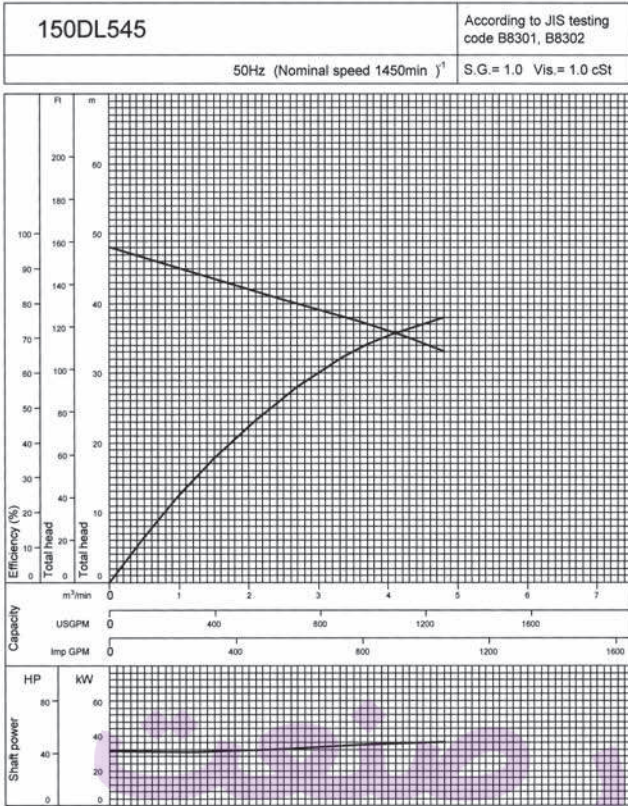
According to JIS testing code B8301, B8302

50Hz (Nominal speed 1450min⁻¹) S.G.= 1.0 Vis.= 1.0 cSt



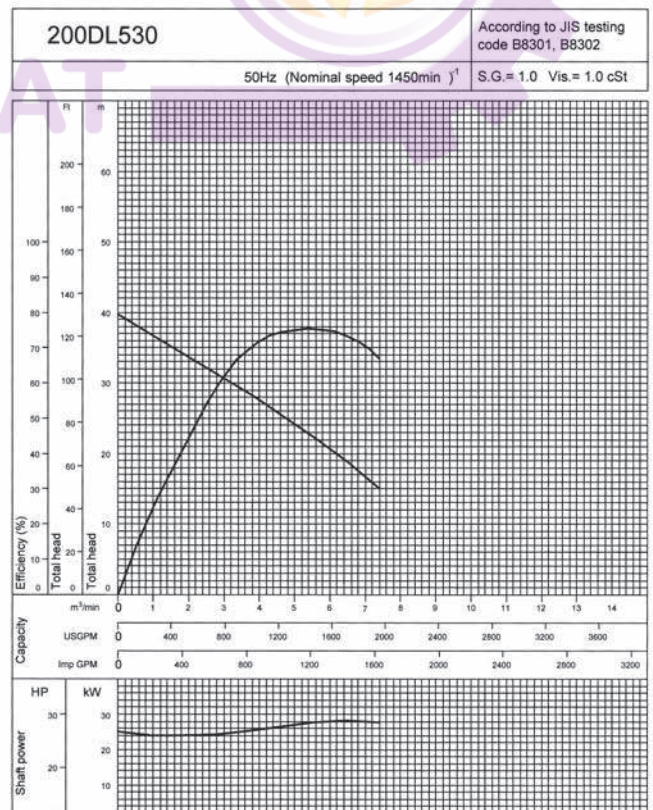
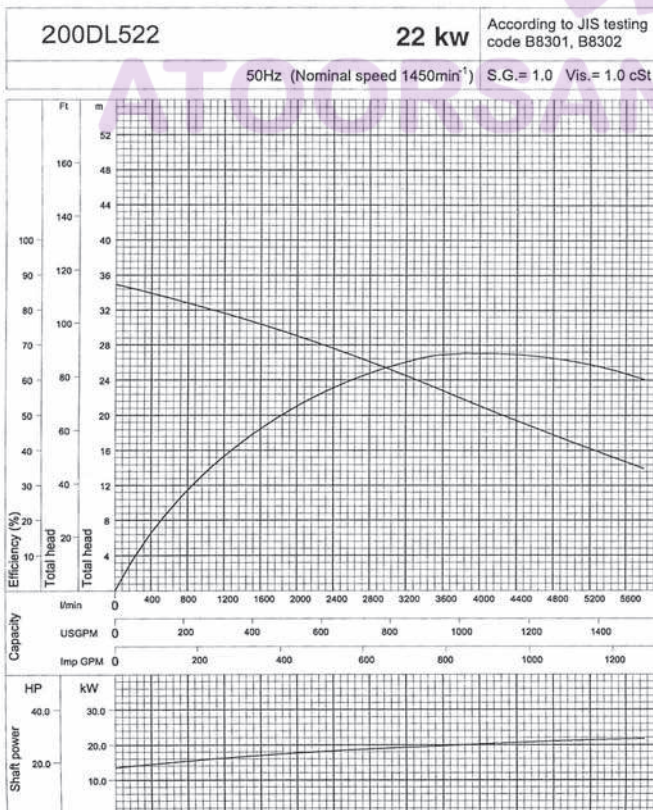
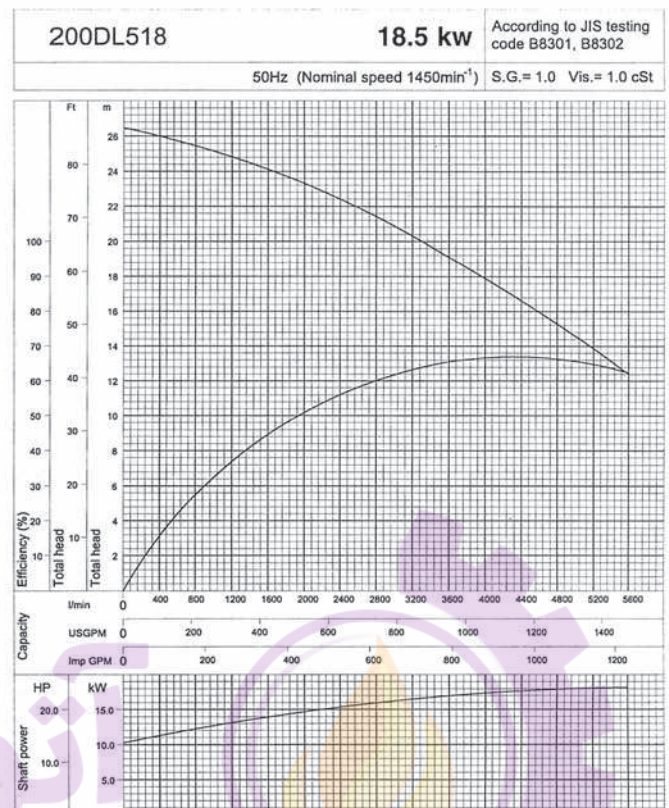
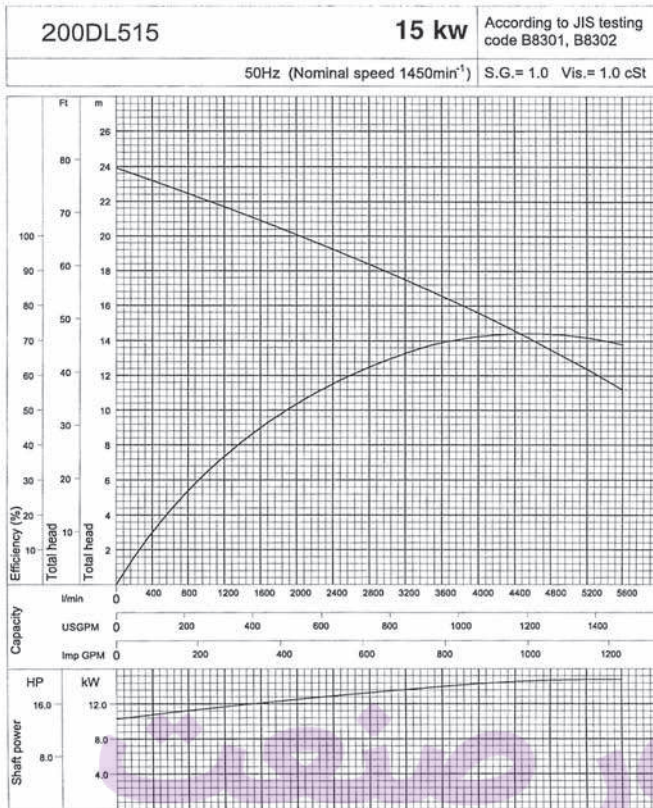
PERFORMANCE CURVE

1450 min⁻¹

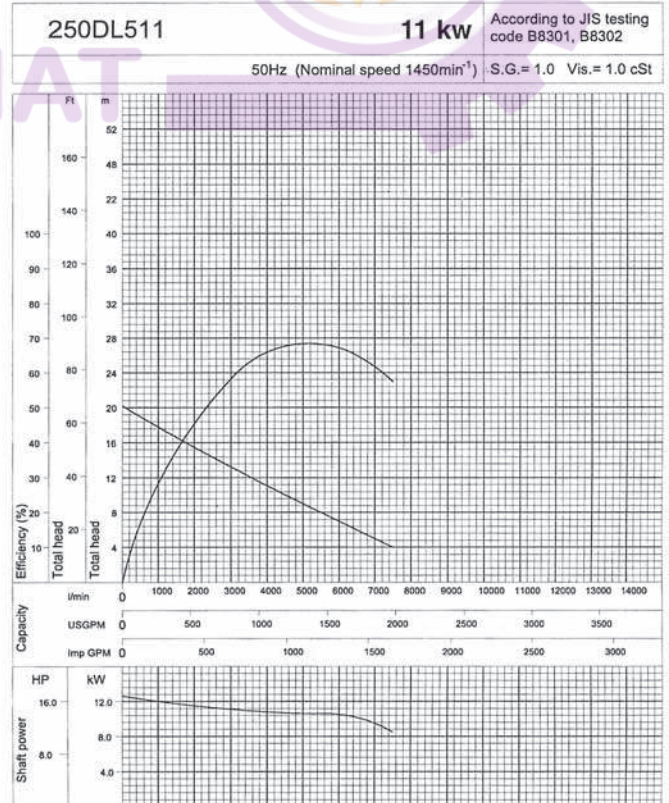
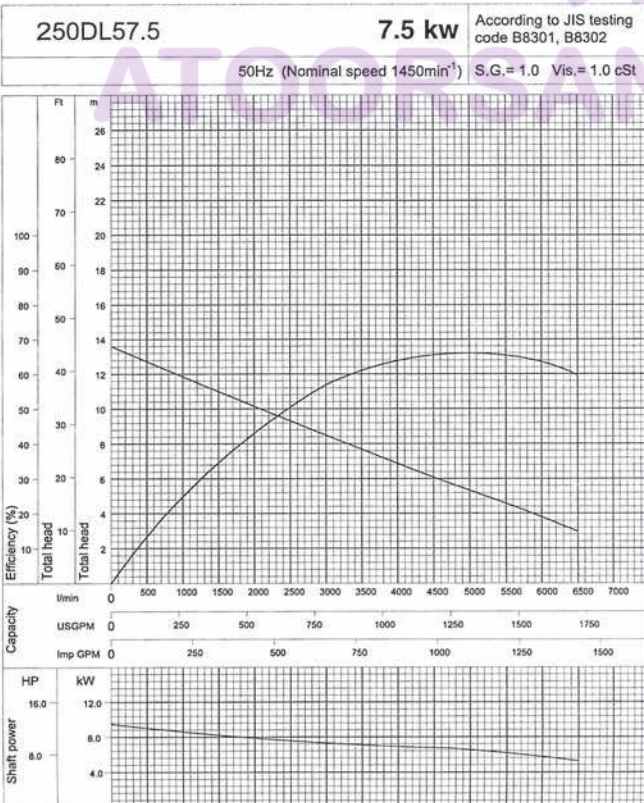
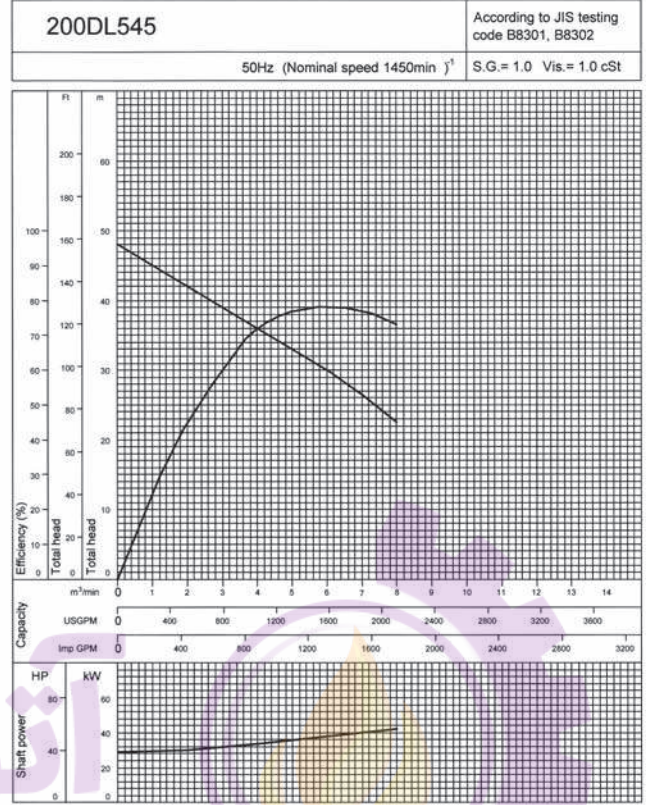
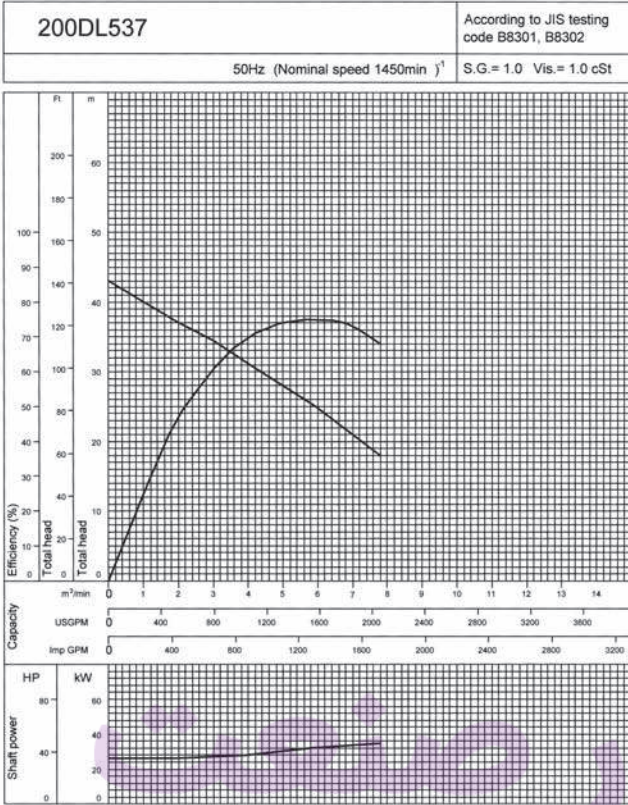


PERFORMANCE CURVE

1450 min⁻¹

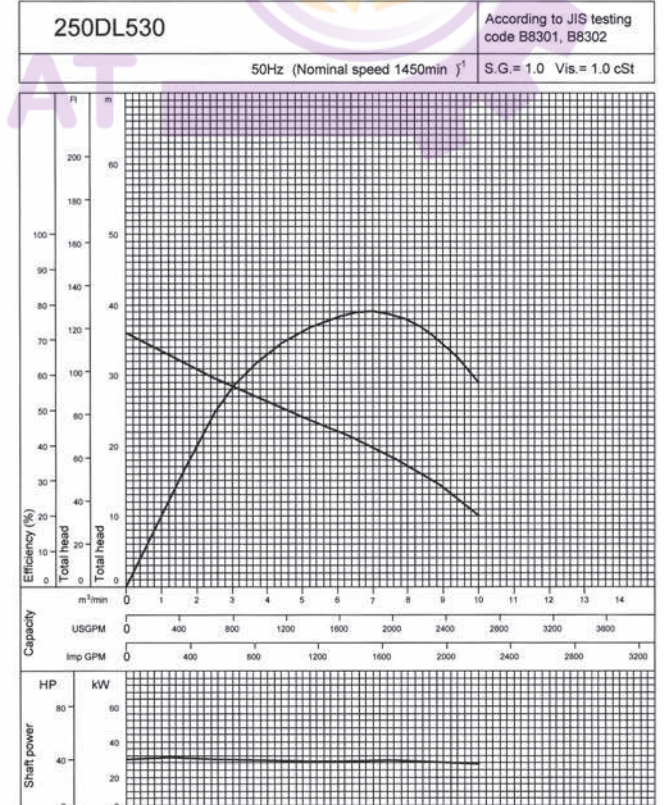
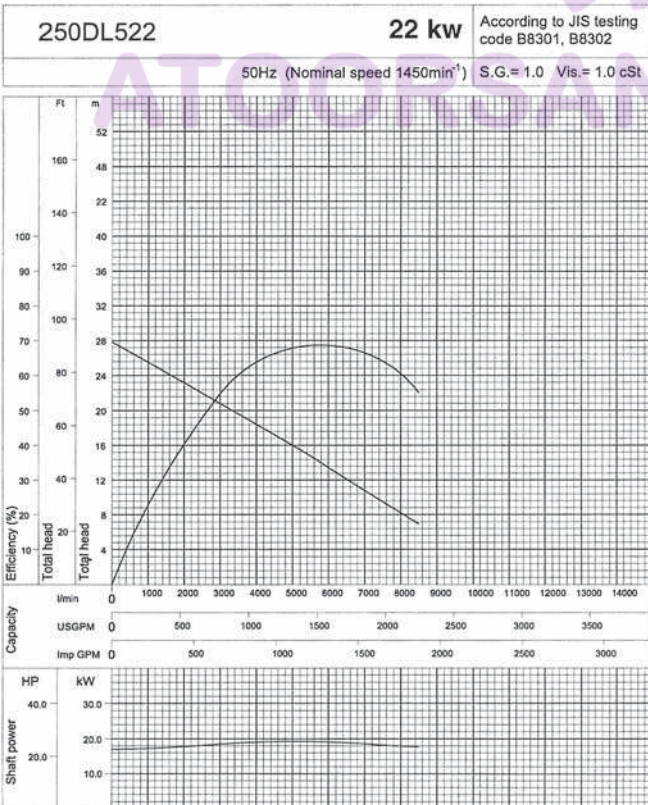
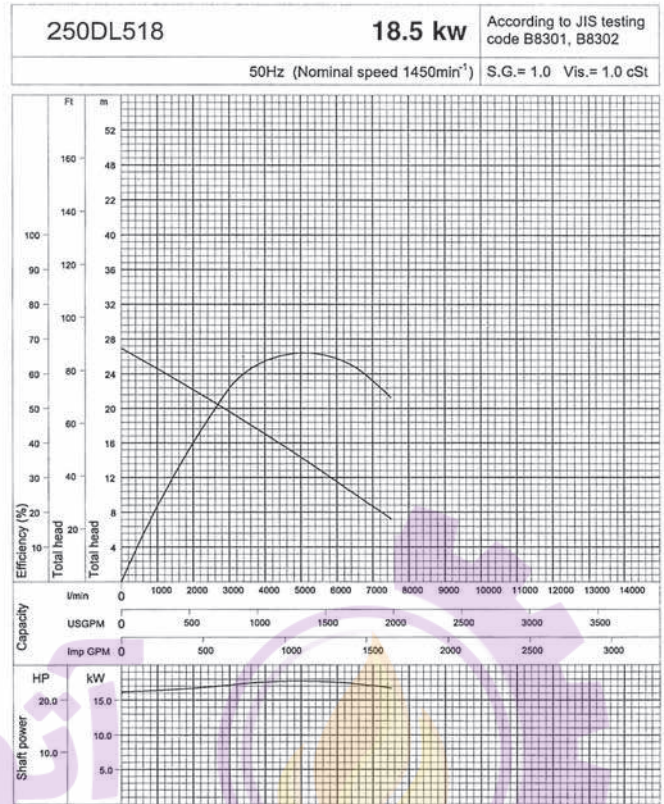
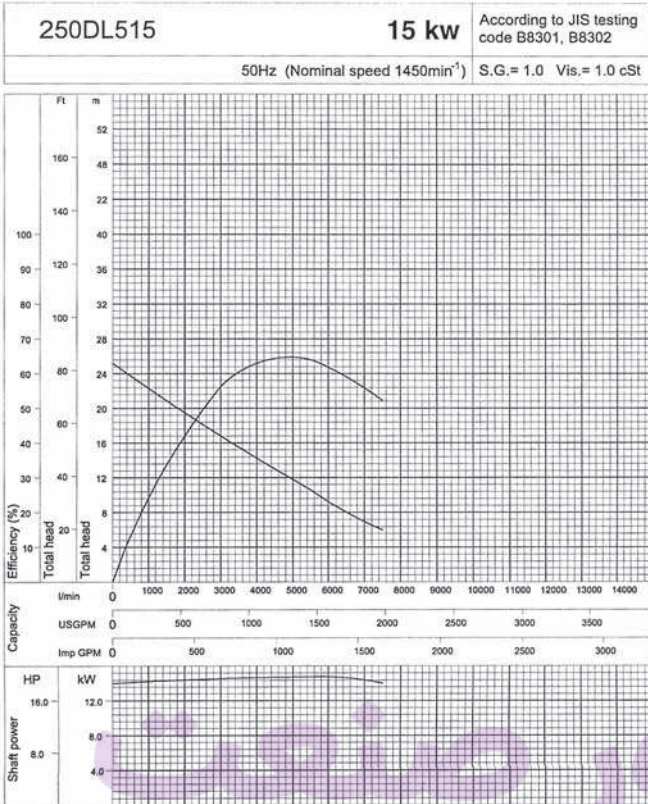


PERFORMANCE CURVE

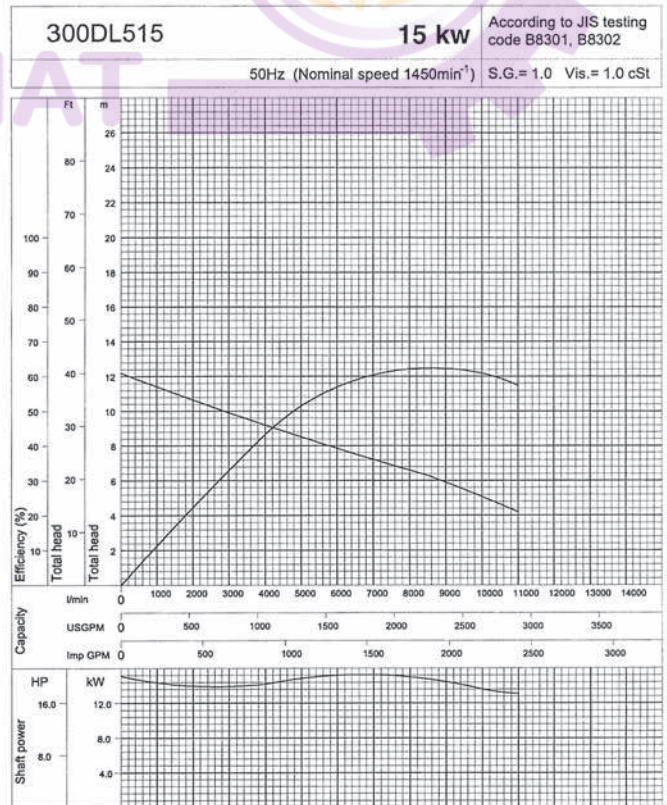
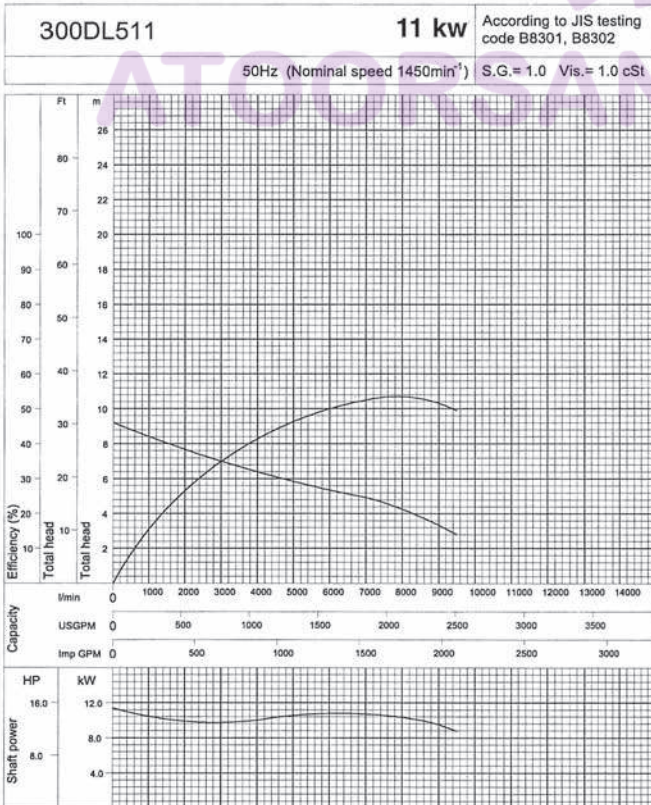
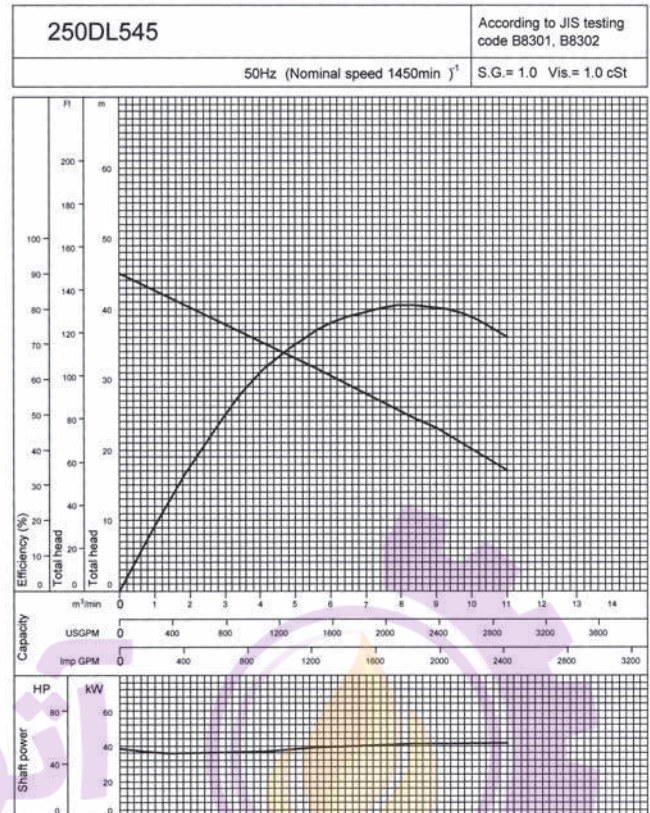
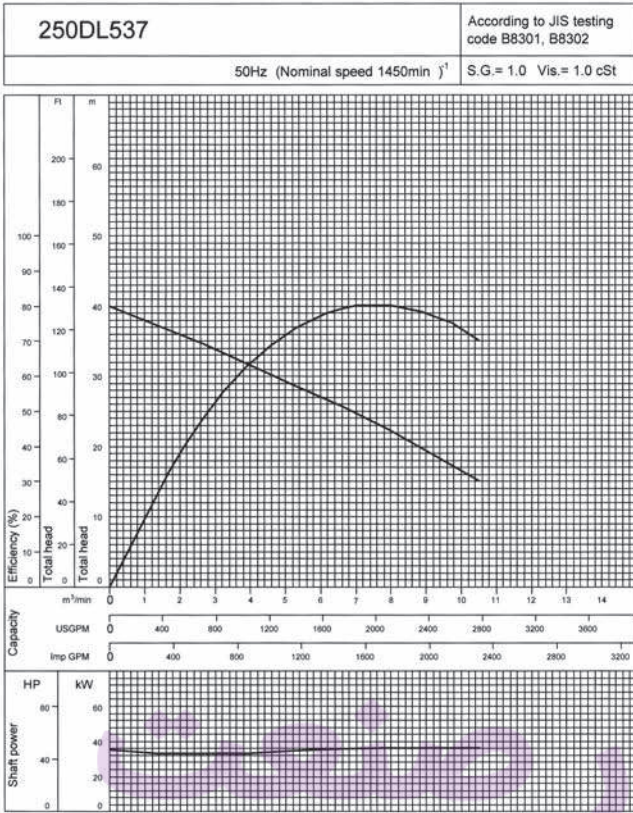


PERFORMANCE CURVE

1450 min⁻¹

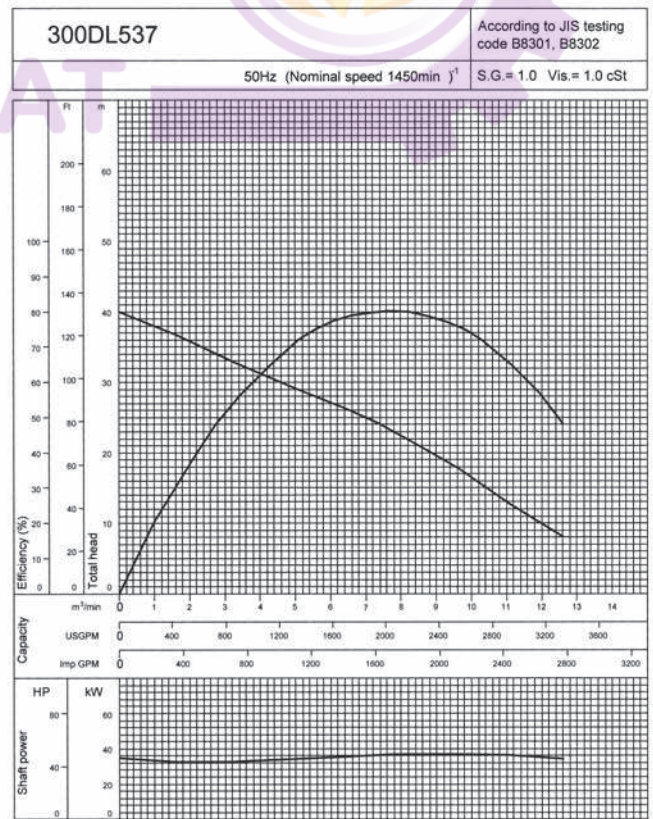
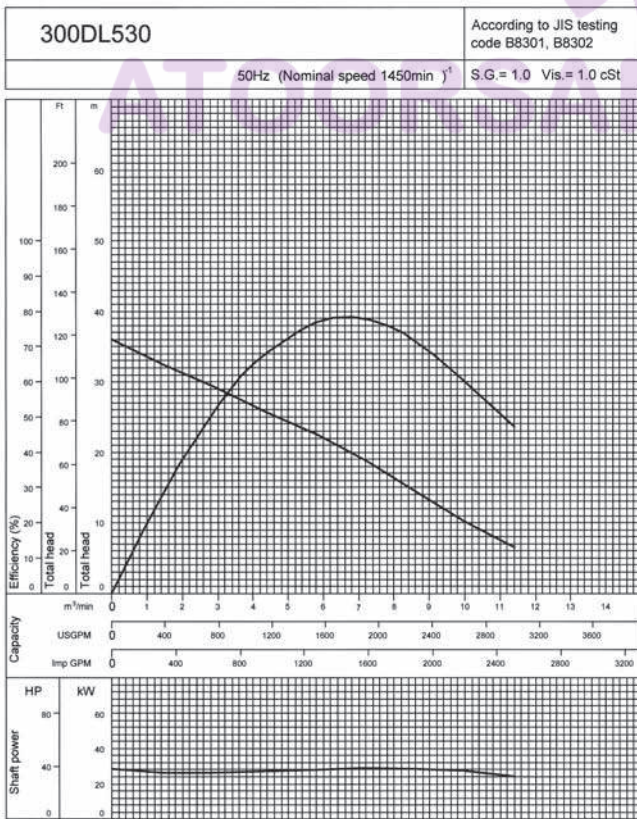
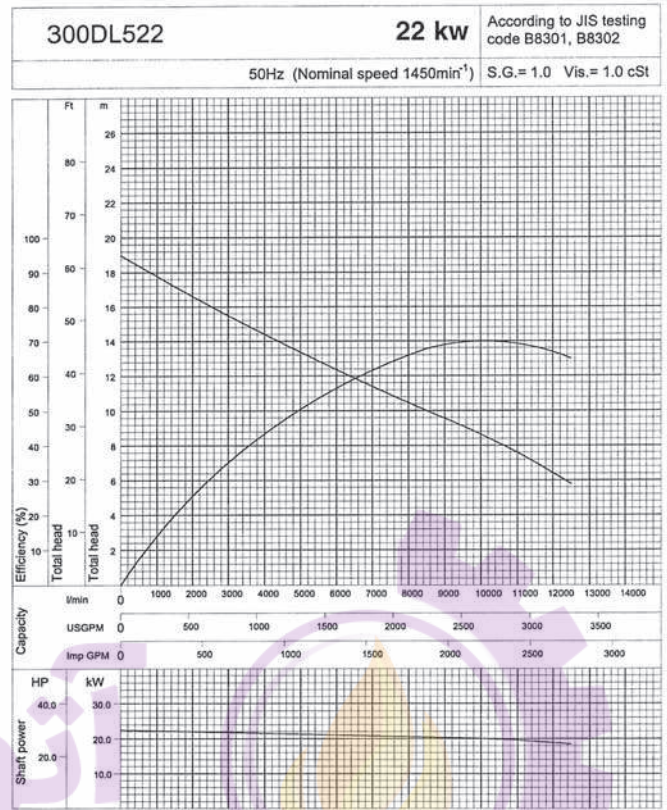
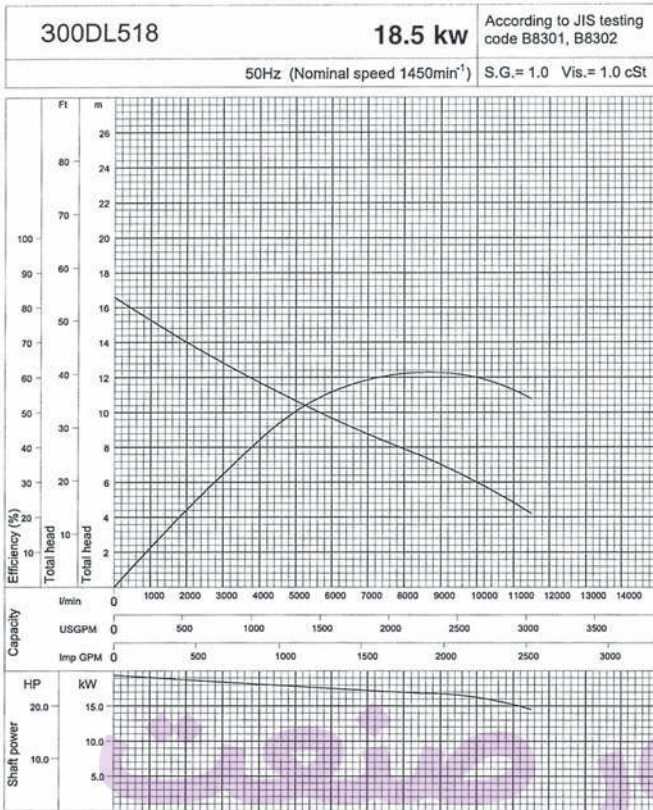


PERFORMANCE CURVE

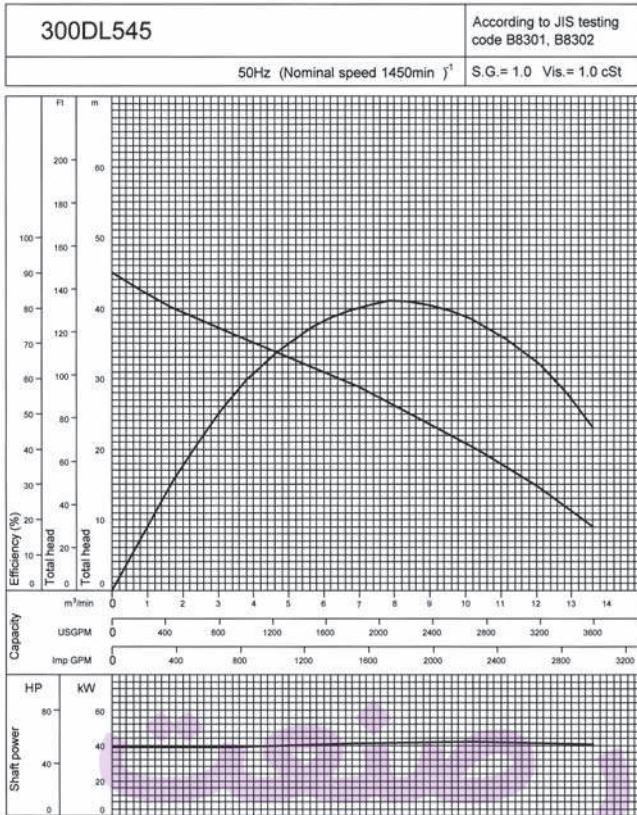


PERFORMANCE CURVE

1450 min⁻¹



PERFORMANCE CURVE



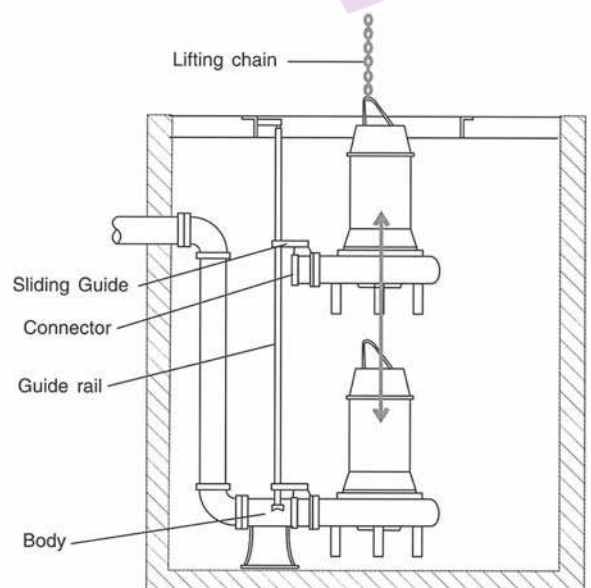
PUMPS WITH QUICK DISCHARGE CONNECTOR

An optional quick discharge connector (QDC) is available to suit all EBARA D' series submersible pumps.

The QDC allows for the easy removal and replacement of the pumps for maintenance purposes without having to enter the sump.

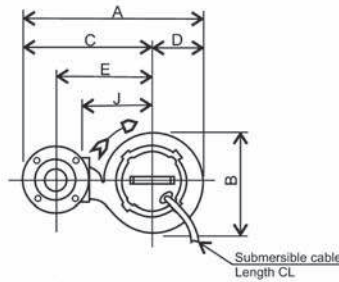
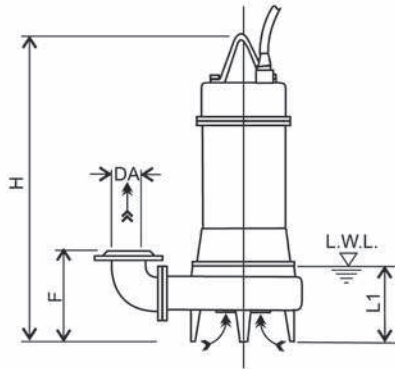
The typical arrangement and use of the QDC is illustrated here.

**If QDC is ordered, EBARA will only supply QDC Body, Sliding Guide and Guide Pin.*

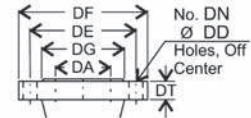


DIMENSION

Dimensions - Manual Models - DL (WET PIT MODEL)



Discharge Flange Dimensions
(JIS 10kgf/cm²)



| DA | DE | DF | DG | DT | DN | DD |
|-----|-----|-----|-----|----|----|----|
| 65 | 150 | 175 | 116 | 18 | 4 | 15 |
| 80 | 150 | 185 | 126 | 18 | 4 | 15 |
| 100 | 175 | 210 | 151 | 20 | 8 | 15 |
| 150 | 240 | 280 | 212 | 22 | 8 | 19 |
| 200 | 290 | 330 | 262 | 26 | 12 | 23 |
| 250 | 355 | 400 | 324 | 30 | 12 | 25 |
| 300 | 400 | 445 | 368 | 32 | 16 | 25 |

Note:

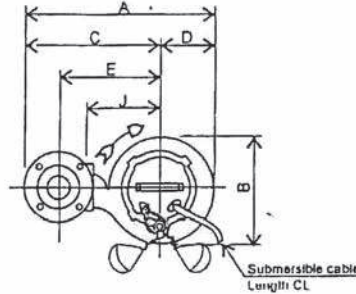
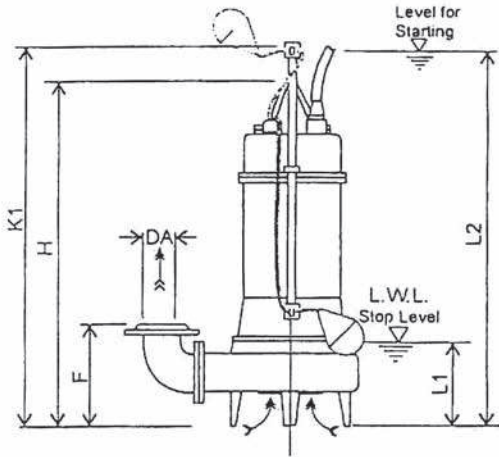
- 1/. L.W.L (Low Water Level) is limited to 10 minutes operation at low water level.
- 2/. Is limited to 30 minutes operation with water level below top of motor.

| Size DA | Model | Output kW | A | B | C | D | E | F | H | J | L1 | CL | Weight |
|------------|--------------|-----------|------|-----|-----|-----|-----|------|------|------|------|--------|--------|
| 65 | 65 DL 51.5 | 1.5 | 497 | 291 | 353 | 144 | 265 | 200 | 576 | 200 | 140 | 10m | 52 kg |
| 80 | 80 DL 51.5 | 1.5 | 524 | 292 | 378 | 146 | 285 | 220 | 597 | 210 | 165 | 10m | 55 kg |
| | 80 DL 52.2 | 2.2 | 542 | 308 | 388 | 154 | 295 | 220 | 654 | 220 | 165 | 10m | 67 kg |
| | 80 DL 53.7 | 3.7 | 567 | 328 | 403 | 164 | 310 | 220 | 687 | 235 | 165 | 10m | 75 kg |
| | 80 DLC 55.5 | 5.5 | 618 | 379 | 428 | 190 | 335 | 307 | 753 | 260 | 205 | 10m | 134 kg |
| | 80 DLC 57.5 | 7.5 | 648 | 399 | 448 | 200 | 355 | 305 | 751 | 280 | 205 | 10m | 148 kg |
| 100 | 100 DL 53.7 | 3.7 | 614 | 335 | 445 | 169 | 340 | 250 | 706 | 235 | 185 | 10m | 79 kg |
| | 100 DLB 55.5 | 5.5 | 646 | 369 | 460 | 186 | 355 | 323 | 768 | 250 | 205 | 10m | 123 kg |
| | 100 DLC 55.5 | 5.5 | 660 | 379 | 470 | 190 | 365 | 322 | 753 | 260 | 205 | 10m | 134 kg |
| | 100 DLB 57.5 | 7.5 | 673 | 385 | 480 | 193 | 375 | 323 | 760 | 270 | 205 | 10m | 141 kg |
| | 100 DLC 57.5 | 7.5 | 690 | 399 | 490 | 200 | 385 | 320 | 751 | 280 | 205 | 10m | 148 kg |
| | 100 DL 511 | 11 | 701 | 402 | 500 | 201 | 395 | 323 | 859 | 290 | 205 | 10m | 180 kg |
| | 100 DL 515 | 15 | 741 | 441 | 520 | 221 | 415 | 330 | 954 | 310 | 205 | 10m | 230 kg |
| 100 DL 518 | 18.5 | 741 | 441 | 520 | 221 | 415 | 330 | 958 | 310 | 205 | 10m | 285 kg | |
| 150 | 150 DL 55.5 | 5.5 | 750 | 398 | 550 | 200 | 410 | 381 | 799 | 280 | 245 | 10m | 146 kg |
| | 150 DL 57.5 | 7.5 | 780 | 418 | 570 | 210 | 430 | 377 | 784 | 300 | 245 | 10m | 158 kg |
| | 150 DL 511 | 11 | 810 | 438 | 590 | 220 | 450 | 377 | 883 | 320 | 245 | 10m | 199 kg |
| | 150 DL 515 | 15 | 810 | 438 | 590 | 220 | 450 | 377 | 972 | 320 | 245 | 10m | 237 kg |
| | 150 DL 518 | 18.5 | 848 | 476 | 610 | 238 | 470 | 381 | 979 | 340 | 245 | 10m | 300 kg |
| | 150 DL 522 | 22 | 848 | 476 | 610 | 238 | 470 | 381 | 979 | 340 | 245 | 10m | 325 kg |
| | 150 DL 530 | 30 | 912 | 520 | 650 | 262 | 510 | 468 | 1284 | 360 | 1080 | 10m | 350 kg |
| | 150 DL 537 | 37 | 912 | 520 | 650 | 262 | 510 | 468 | 1404 | 360 | 1135 | 10m | 350 kg |
| | 150 DL 545 | 45 | 912 | 520 | 650 | 262 | 510 | 468 | 1404 | 360 | 1135 | 10m | 350 kg |
| 200 | 200 DL 55.5 | 5.5 | 832 | 430 | 615 | 217 | 450 | 414 | 826 | 300 | 285 | 10m | 160 kg |
| | 200 DL 57.5 | 7.5 | 863 | 453 | 635 | 228 | 470 | 410 | 809 | 320 | 285 | 10m | 176 kg |
| | 200 DL 511 | 11 | 863 | 453 | 635 | 228 | 470 | 410 | 908 | 320 | 285 | 10m | 212 kg |
| | 200 DL 515 | 15 | 896 | 479 | 655 | 241 | 490 | 411 | 995 | 340 | 285 | 10m | 260 kg |
| | 200 DL 518 | 18.5 | 932 | 512 | 675 | 257 | 510 | 415 | 1001 | 360 | 285 | 10m | 305 kg |
| | 200 DL 522 | 22 | 932 | 512 | 675 | 257 | 510 | 415 | 1001 | 360 | 285 | 10m | 330 kg |
| | 200 DL 530 | 30 | 937 | 520 | 675 | 262 | 510 | 483 | 1284 | 360 | 1080 | 10m | 350 kg |
| | 200 DL 537 | 37 | 937 | 520 | 675 | 262 | 510 | 483 | 1404 | 360 | 1135 | 10m | 370 kg |
| | 200 DL 545 | 45 | 937 | 520 | 675 | 262 | 510 | 483 | 1404 | 360 | 1135 | 10m | 370 kg |
| 250 | 250 DL 57.5 | 7.5 | 969 | 525 | 700 | 269 | 500 | 622 | 904 | 370 | 400 | 10m | 260 kg |
| | 250 DL 511 | 11 | 993 | 541 | 720 | 273 | 520 | 634 | 1000 | 390 | 400 | 10m | 320 kg |
| | 250 DL 515 | 15 | 1007 | 549 | 730 | 277 | 530 | 646 | 1086 | 400 | 400 | 10m | 380 kg |
| | 250 DL 518 | 18.5 | 1007 | 549 | 730 | 277 | 530 | 646 | 1089 | 400 | 400 | 10m | 420 kg |
| | 250 DL 522 | 22 | 1007 | 549 | 730 | 277 | 530 | 646 | 1089 | 400 | 400 | 10m | 440 kg |
| | 250 DL 530 | 30 | 1125 | 660 | 790 | 335 | 590 | 706 | 1336 | 460 | 1132 | 10m | 458 kg |
| | 250 DL 537 | 37 | 1125 | 660 | 790 | 335 | 590 | 706 | 1475 | 460 | 1206 | 10m | 522 kg |
| | 250 DL 545 | 45 | 1125 | 660 | 790 | 335 | 590 | 706 | 1475 | 460 | 1206 | 10m | 540 kg |
| 300 | 300 DL 511 | 11 | 1100 | 588 | 798 | 302 | 575 | 671 | 1050 | 420 | 450 | 10m | 365 kg |
| | 300 DL 515 | 15 | 1100 | 588 | 798 | 302 | 575 | 671 | 1131 | 420 | 450 | 10m | 395 kg |
| | 300 DL 518 | 18.5 | 1135 | 618 | 818 | 317 | 595 | 668 | 1131 | 440 | 450 | 10m | 440 kg |
| | 300 DL 522 | 22 | 1135 | 618 | 818 | 317 | 595 | 668 | 1131 | 440 | 450 | 10m | 465 kg |
| | 300 DL 530 | 30 | 1172 | 660 | 838 | 335 | 615 | 726 | 1336 | 460 | 1132 | 10m | 458 kg |
| | 300 DL 537 | 37 | 1172 | 660 | 838 | 335 | 615 | 726 | 1475 | 460 | 1206 | 10m | 522 kg |
| 300 DL 545 | 45 | 1172 | 660 | 838 | 335 | 615 | 726 | 1475 | 460 | 1206 | 10m | 540 kg | |

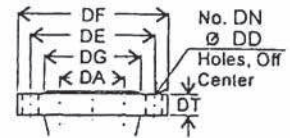
Units: mm unless otherwise specified

DIMENSIONS

Dimensions - Automatic Models - DLA



Discharge Flange Dimensions (JIS 10kgf/cm²)



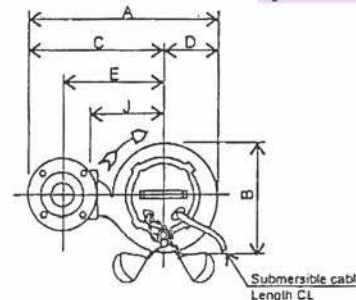
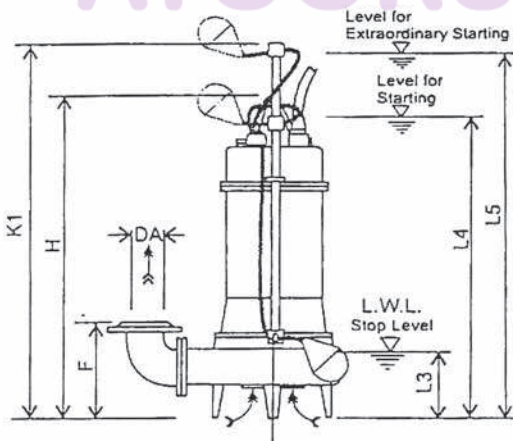
- Note:
- 1/. L.W.L (Low Water Level) Is limited to 10 minutes operation at low water level.
 - 2/. Is limited to 30 minutes operation with water level below top of motor.

| DA | DE | DF | DG | DT | DN | DD |
|-----|-----|-----|-----|----|----|----|
| 65 | 150 | 175 | 116 | 18 | 4 | 15 |
| 80 | 150 | 185 | 126 | 18 | 8 | 15 |
| 100 | 175 | 210 | 151 | 20 | 8 | 15 |

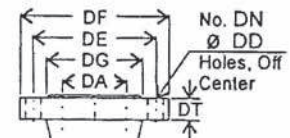
| Size DA | Model | Output KW | A | B | C | D | E | F | H | J | K1 | L1 | L2 | CL | Weight |
|---------|-------------|-----------|-----|-----|-----|-----|-----|-----|-----|-----|-----|-----|-----|-----|--------|
| 65 | 65DLA 51.5 | 1.5 | 497 | 291 | 353 | 144 | 265 | 200 | 662 | 200 | 840 | 320 | 860 | 10m | 55 kg |
| 80 | 80DLA 51.5 | 1.5 | 524 | 292 | 378 | 146 | 285 | 220 | 683 | 210 | 840 | 320 | 860 | 10m | 58 kg |
| | 80DLA 52.2 | 2.2 | 542 | 308 | 388 | 154 | 295 | 220 | 728 | 220 | 840 | 320 | 860 | 10m | 70 kg |
| | 80DLA 53.7 | 3.7 | 567 | 328 | 403 | 164 | 310 | 220 | 761 | 235 | 840 | 320 | 860 | 10m | 78 kg |
| 100 | 100DLA 53.7 | 3.7 | 614 | 335 | 445 | 169 | 340 | 250 | 780 | 235 | 840 | 320 | 860 | 10m | 85 kg |

Units: mm unless otherwise specified

Dimensions - Parallel Alternating Models - DLJ



Discharge Flange Dimensions (JIS 10kgf/cm²)



- Note:
- 1/. L.W.L (Low Water Level) Is limited to 10 minutes operation at low water level.
 - 2/. Is limited to 30 minutes operation with water level below top of motor.

| DA | DE | DF | DG | DT | DN | DD |
|-----|-----|-----|-----|----|----|----|
| 65 | 150 | 175 | 116 | 18 | 4 | 15 |
| 80 | 150 | 185 | 126 | 18 | 8 | 15 |
| 100 | 175 | 210 | 151 | 20 | 8 | 15 |

| Size DA | Model | Output KW | A | B | C | D | E | F | H | J | K1 | L3 | L4 | L5 | CL | Weight |
|---------|-------------|-----------|-----|-----|-----|-----|-----|-----|-----|-----|-----|-----|-----|-----|-----|--------|
| 65 | 65DLJ 51.5 | 1.5 | 497 | 291 | 353 | 144 | 265 | 200 | 662 | 200 | 950 | 290 | 780 | 970 | 10m | 55 kg |
| 80 | 80DLJ 51.5 | 1.5 | 524 | 292 | 378 | 146 | 285 | 220 | 683 | 210 | 950 | 290 | 780 | 970 | 10m | 58 kg |
| | 80DLJ 52.2 | 2.2 | 542 | 308 | 388 | 154 | 295 | 220 | 728 | 220 | 950 | 290 | 780 | 970 | 10m | 70 kg |
| | 80DLJ 53.7 | 3.7 | 567 | 328 | 403 | 164 | 310 | 220 | 761 | 235 | 950 | 290 | 780 | 970 | 10m | 78 kg |
| | 100DLJ 53.7 | 3.7 | 614 | 335 | 445 | 169 | 340 | 250 | 780 | 235 | 950 | 290 | 780 | 970 | 10m | 85 kg |

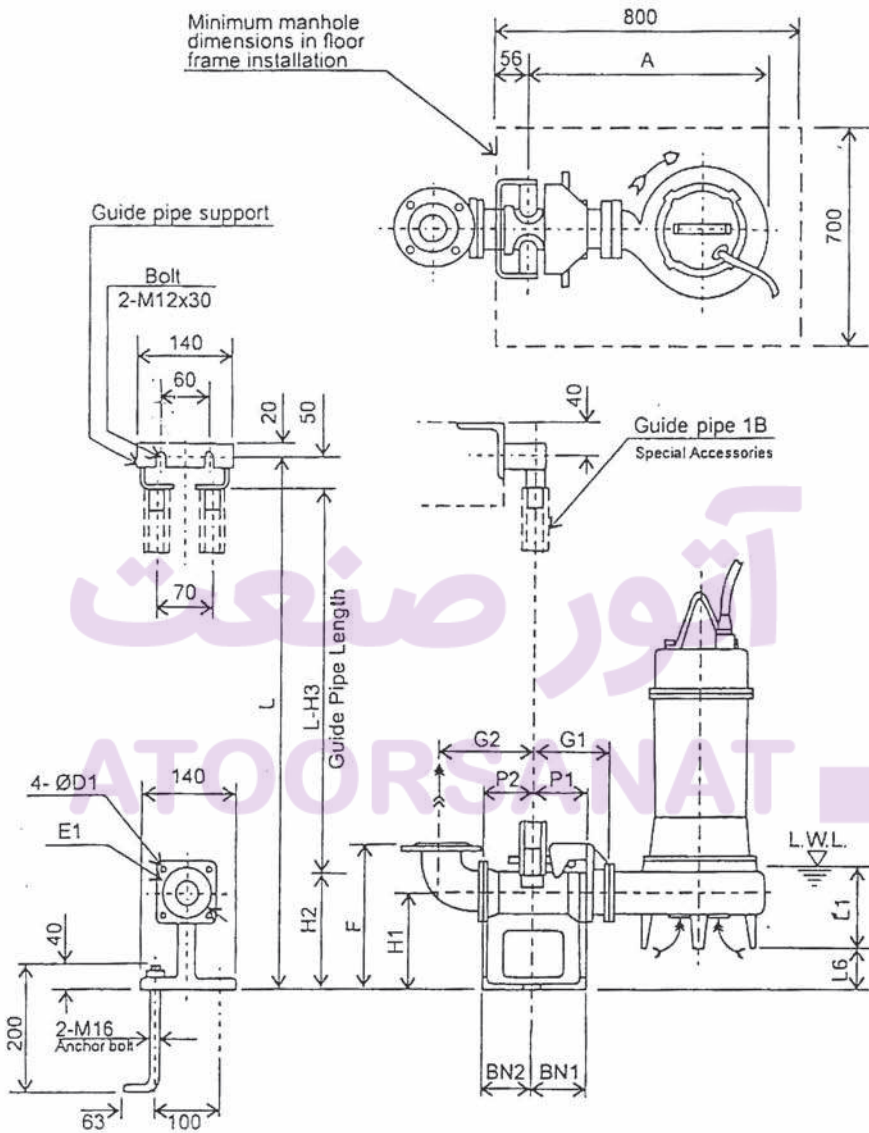
Units: mm unless otherwise specified

DIMENSION

Dimensions with QDC

Pump **DL** QDC **LM**

■ Applicable Models - 50, 65 & 80 DL



Note:

1/ For detailed dimensions of the pumps, refer to separate dimension data sheets.

2/ The discharge bend and companion flange supplied with the pump are used with the QDC.

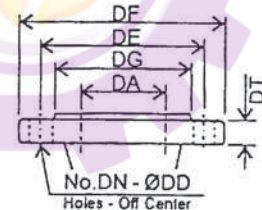
3/ The weight in dimension tables refers only to the weight of the QDC.

4/ Standard accessories supplied with QDC include:-

- Connector body with foundation bolts
- Guide pipe support
- Sliding Glide
- Adaptor Flange

Guide pipe is not supplied.

Discharge Flange
(JIS 10kgf/cm²)



| DA | DE | DF | DG | DT | DN | DD |
|----|-----|-----|-----|----|----|----|
| 50 | 120 | 155 | 96 | 18 | 4 | 15 |
| 65 | 140 | 175 | 116 | 18 | 4 | 15 |
| 80 | 150 | 185 | 126 | 18 | 8 | 15 |

| Pump Model | A | P1 | P2 | G1 | G2 | F | H1 | H2 | H3 | L1 | L6 | BN1 | BN2 | D1 | E1 | QDC Model | Weight |
|------------|-----|----|----|-----|-----|-----|-----|-----|-----|-----|----|-----|-----|----|-----|-----------|--------|
| 50 DL 5.4 | 375 | 75 | 80 | 115 | 135 | 230 | 135 | 165 | 215 | 120 | 55 | 75 | 80 | 12 | 120 | LM50 | 11 kg |
| 50 DL 5.75 | 393 | 75 | 80 | 115 | 135 | 230 | 135 | 165 | 215 | 120 | 55 | 75 | 80 | 12 | 120 | LM50 | 11 kg |
| 65 DL 51.5 | 464 | 75 | 95 | 120 | 160 | 250 | 145 | 190 | 240 | 140 | 50 | 75 | 95 | 12 | 140 | LM65 | 14 kg |
| 80 DL 51.5 | 481 | 75 | 90 | 125 | 165 | 285 | 175 | 230 | 280 | 165 | 65 | 75 | 90 | 15 | 155 | LM80 | 17 kg |
| 80 DL 52.2 | 499 | 75 | 90 | 125 | 165 | 285 | 175 | 230 | 280 | 165 | 65 | 75 | 90 | 15 | 155 | LM80 | 17 kg |
| 80 DL 53.7 | 524 | 75 | 90 | 125 | 165 | 285 | 175 | 230 | 280 | 165 | 65 | 75 | 90 | 15 | 155 | LM80 | 17 kg |

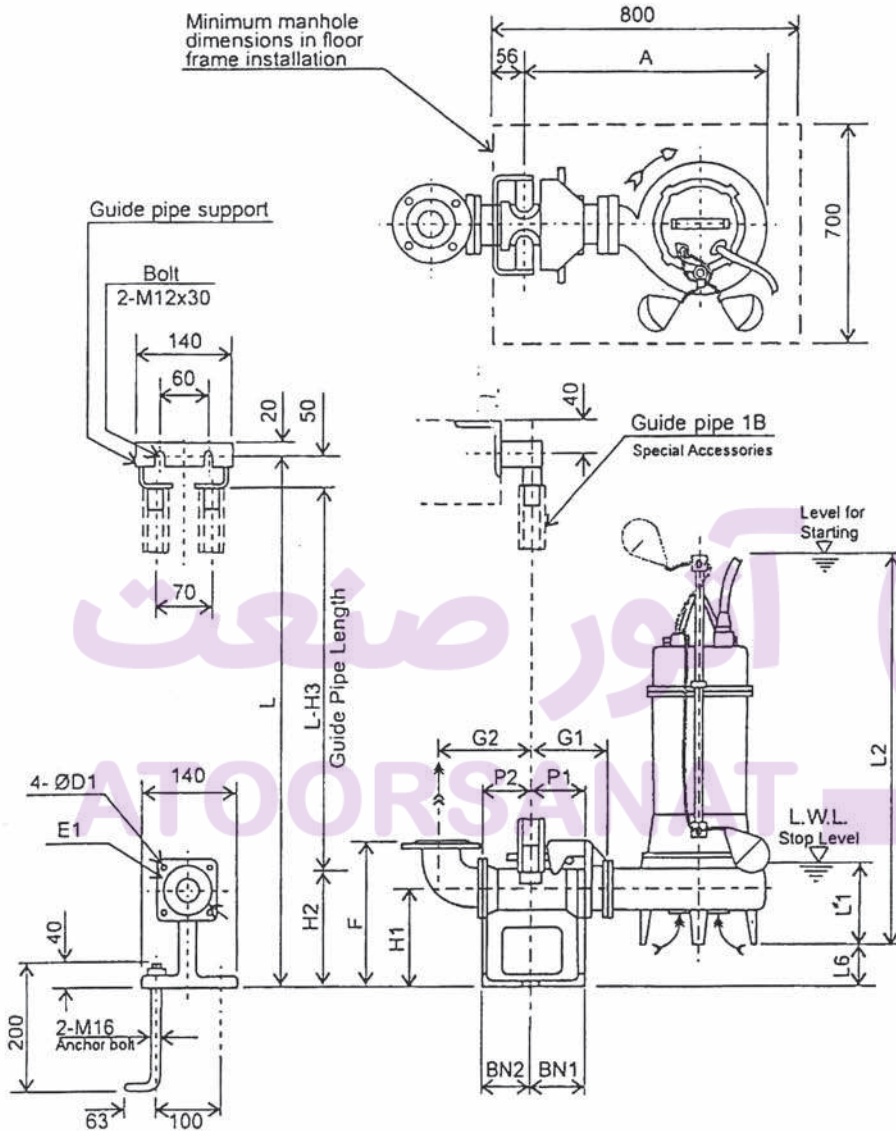
Units: mm unless otherwise specified

DIMENSION

Dimensions with QDC

Pump QDC
DLA LM

Applicable Models - 65 & 80 DLA



Note:

1/ For detailed dimensions of the pumps, refer to separate dimension data sheets.

2/ The discharge bend and companion flange supplied with the pump are used with the QDC.

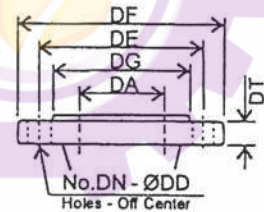
3/ The weight in dimension tables refers only to the weight of the QDC.

4/ Standard accessories supplied with QDC include:-

- Connector body with foundation bolts
- Guide pipe support
- Sliding Glide
- Adaptor Flange

Guide pipe is not supplied.

Discharge Flange
(JIS 10kg/cm²)



| DA | DE | DF | DG | DT | DN | DD |
|----|-----|-----|-----|----|----|----|
| 65 | 140 | 175 | 116 | 18 | 4 | 15 |
| 80 | 150 | 185 | 126 | 18 | 8 | 15 |

| Pump Model | A | P1 | P2 | G1 | G2 | F | H1 | H2 | H3 | L1 | L2 | L6 | BN1 | BN2 | D1 | E1 | QDC Model | Weight |
|-------------|-----|----|----|-----|-----|-----|-----|-----|-----|-----|-----|----|-----|-----|----|-----|-----------|--------|
| 65 DLA 51.5 | 464 | 75 | 95 | 120 | 160 | 250 | 145 | 190 | 240 | 320 | 860 | 50 | 75 | 95 | 12 | 140 | LM65 | 14 kg |
| 80 DLA 51.5 | 481 | 75 | 90 | 125 | 165 | 285 | 175 | 230 | 280 | 320 | 860 | 65 | 75 | 90 | 15 | 155 | LM80 | 17 kg |
| 80 DLA 52.2 | 499 | 75 | 90 | 125 | 165 | 285 | 175 | 230 | 280 | 320 | 860 | 65 | 75 | 90 | 15 | 155 | LM80 | 17 kg |
| 80 DLA 53.7 | 524 | 75 | 90 | 125 | 165 | 285 | 175 | 230 | 280 | 320 | 860 | 65 | 75 | 90 | 15 | 155 | LM80 | 17 kg |

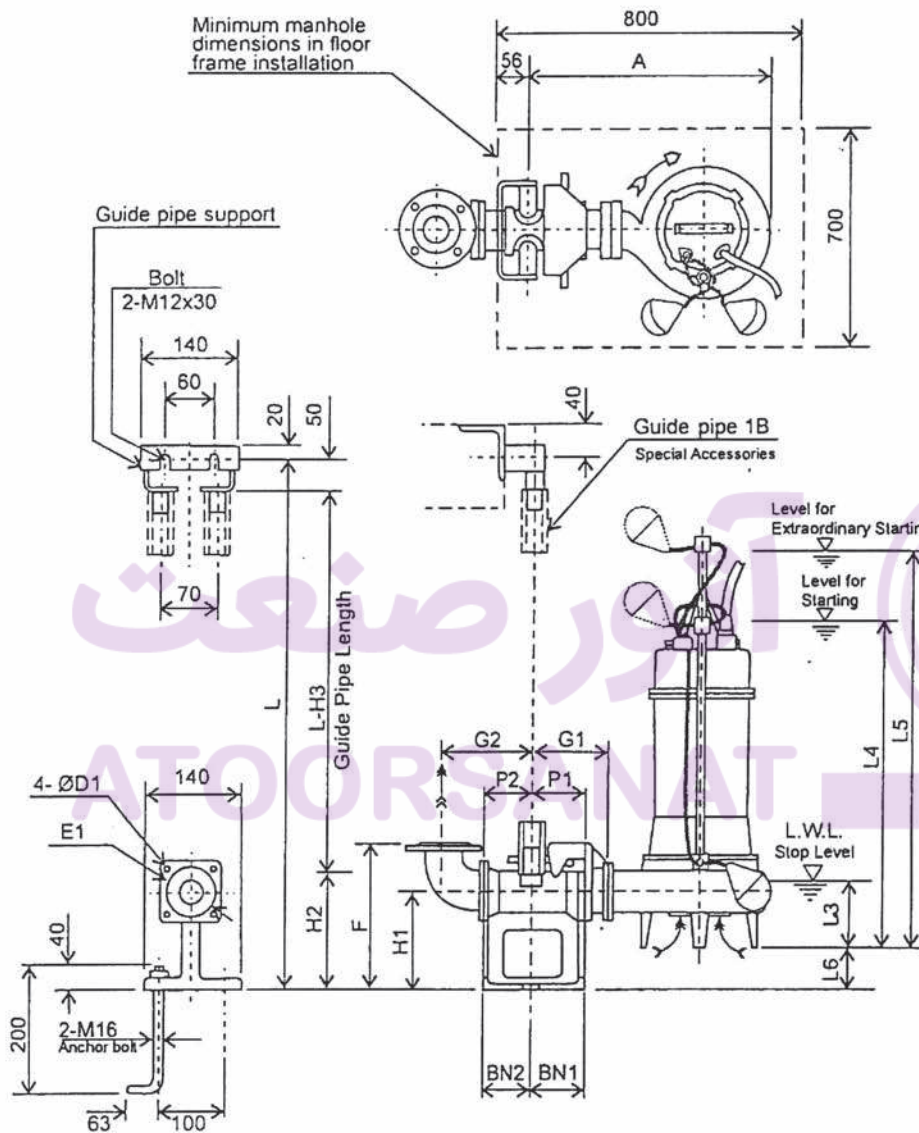
Units: mm unless otherwise specified

DIMENSION

Dimensions with QDC

Pump **DLJ** QDC **LM**

■ Applicable Models - 65 & 80 DLJ



Note:

1/ For detailed dimensions of the pumps, refer to separate dimension data sheets.

2/ The discharge bend and companion flange supplied with the pump are used with the QDC.

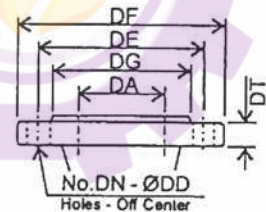
3/ The weight in dimension tables refers only to the weight of the QDC.

4/ Standard accessories supplied with QDC include:-

- Connector body with foundation bolts
- Guide pipe support
- Sliding Glide
- Adaptor Flange

Guide pipe is not supplied.

Discharge Flange
(JIS 10kg/cm²)



| DA | DE | DF | DG | DT | DN | DD |
|----|-----|-----|-----|----|----|----|
| 65 | 140 | 175 | 116 | 18 | 4 | 15 |
| 80 | 150 | 185 | 126 | 18 | 8 | 15 |

| Pump Model | A | P1 | P2 | G1 | G2 | F | H1 | H2 | H3 | L3 | L4 | L5 | L6 | BN1 | BN2 | D1 | E1 | QDC Model | Weight |
|-------------|-----|----|----|-----|-----|-----|-----|-----|-----|-----|-----|-----|----|-----|-----|----|-----|-----------|--------|
| 65 DLJ 51.5 | 464 | 75 | 95 | 120 | 160 | 250 | 145 | 190 | 240 | 290 | 780 | 970 | 50 | 75 | 95 | 12 | 140 | LM65 | 14 kg |
| 80 DLJ 51.5 | 481 | 75 | 90 | 125 | 165 | 285 | 175 | 230 | 280 | 290 | 780 | 970 | 65 | 75 | 90 | 15 | 155 | LM80 | 17 kg |
| 80 DLJ 52.2 | 499 | 75 | 90 | 125 | 165 | 285 | 175 | 230 | 280 | 290 | 780 | 970 | 65 | 75 | 90 | 15 | 155 | LM80 | 17 kg |
| 80 DLJ 53.7 | 524 | 75 | 90 | 125 | 165 | 285 | 175 | 230 | 280 | 290 | 780 | 970 | 65 | 75 | 90 | 15 | 155 | LM80 | 17 kg |

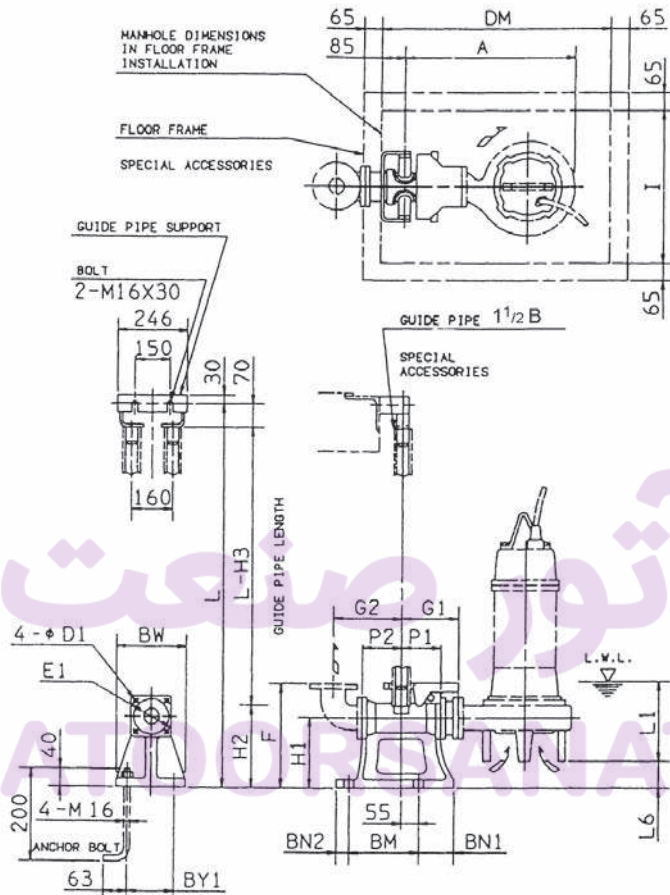
Units: mm unless otherwise specified

DIMENSION

Dimensions with QDC

Pump **DL** QDC **LL**

■ Applicable Models - 65 & 80 DL



Note:

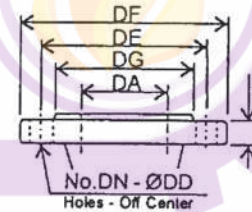
1/ For detailed dimensions of the pumps, refer to separate dimension data sheets.

2/ The discharge bend and companion flange supplied with the pump are used with the QDC.

3/ The weight in dimension tables refers only to the weight of the QDC.

4/ Standard accessories supplied with QDC include:-
 -Connector body with foundation bolts
 -Guide pipe support
 -Sliding Glide
 -Adaptor Flange
 Guide pipe is not supplied.

Discharge Flange
(JIS 10kgf/cm²)



| DA | DE | DF | DG | DT | DN | DD |
|----|-----|-----|-----|----|----|----|
| 65 | 140 | 175 | 116 | 18 | 4 | 15 |
| 80 | 150 | 185 | 126 | 18 | 8 | 15 |

| Pump Model | A | P1 | P2 | G1 | G2 | F | H1 | H2 | H3 | L1 | L6 | BN1 | BN2 | BM | BY1 | BW | DM | I | D1 | E1 | QDC Model | Weight |
|-------------|-----|-----|-----|-----|-----|-----|-----|-----|-----|-----|-----|-----|-----|-----|-----|-----|------|-----|----|-----|-----------|--------|
| 65 DLD 55.5 | 605 | 105 | 125 | 185 | 190 | 315 | 210 | 240 | 310 | 260 | 100 | 100 | 40 | 195 | 160 | 210 | 800 | 700 | 12 | 140 | LL65 | 41 kg |
| 65 DLD 57.5 | 672 | 105 | 125 | 185 | 190 | 315 | 210 | 240 | 310 | 260 | 100 | 100 | 40 | 195 | 160 | 210 | 1000 | 700 | 12 | 140 | LL65 | 41 kg |
| 65 DL 511 | 672 | 105 | 125 | 185 | 190 | 315 | 210 | 240 | 310 | 260 | 100 | 100 | 40 | 195 | 160 | 210 | 1000 | 700 | 12 | 140 | LL65 | 41 kg |
| 65 DL 515 | 728 | 105 | 125 | 185 | 190 | 315 | 210 | 240 | 310 | 280 | 100 | 100 | 40 | 195 | 160 | 210 | 1000 | 700 | 12 | 140 | LL65 | 41 kg |
| 65 DL 518 | 728 | 105 | 125 | 185 | 190 | 315 | 210 | 240 | 310 | 280 | 100 | 100 | 40 | 195 | 160 | 210 | 1000 | 700 | 12 | 140 | LL65 | 41 kg |
| 65 DL 522 | 728 | 105 | 125 | 185 | 190 | 315 | 210 | 240 | 310 | 280 | 100 | 100 | 40 | 195 | 160 | 210 | 1000 | 700 | 12 | 140 | LL65 | 41 kg |
| 80 DLD 55.5 | 605 | 105 | 125 | 185 | 200 | 320 | 210 | 240 | 310 | 260 | 100 | 100 | 40 | 195 | 160 | 210 | 800 | 700 | 12 | 140 | LL65 | 41 kg |
| 80 DLC 55.5 | 635 | 105 | 120 | 185 | 195 | 350 | 240 | 255 | 325 | 205 | 43 | 100 | 40 | 220 | 180 | 230 | 800 | 700 | 15 | 155 | LL80 | 44 kg |
| 80 DLD 57.5 | 672 | 105 | 125 | 185 | 200 | 320 | 210 | 240 | 310 | 260 | 100 | 100 | 40 | 195 | 160 | 210 | 1000 | 700 | 12 | 140 | LL65 | 41 kg |
| 80 DLC 57.5 | 665 | 105 | 120 | 185 | 195 | 350 | 240 | 255 | 325 | 205 | 45 | 100 | 40 | 220 | 180 | 230 | 800 | 700 | 15 | 155 | LL80 | 44 kg |
| 80 DL 511 | 672 | 105 | 125 | 185 | 200 | 320 | 210 | 240 | 310 | 260 | 100 | 100 | 40 | 195 | 160 | 210 | 1000 | 700 | 12 | 140 | LL65 | 41 kg |
| 80 DL 515 | 728 | 105 | 125 | 185 | 200 | 320 | 210 | 240 | 310 | 280 | 100 | 100 | 40 | 195 | 160 | 210 | 1000 | 700 | 12 | 140 | LL65 | 41 kg |
| 80 DL 518 | 728 | 105 | 125 | 185 | 200 | 320 | 210 | 240 | 310 | 280 | 100 | 100 | 40 | 195 | 160 | 210 | 1000 | 700 | 12 | 140 | LL65 | 41 kg |
| 80 DL 522 | 728 | 105 | 125 | 185 | 200 | 320 | 210 | 240 | 310 | 280 | 100 | 100 | 40 | 195 | 160 | 210 | 1000 | 700 | 12 | 140 | LL65 | 41 kg |

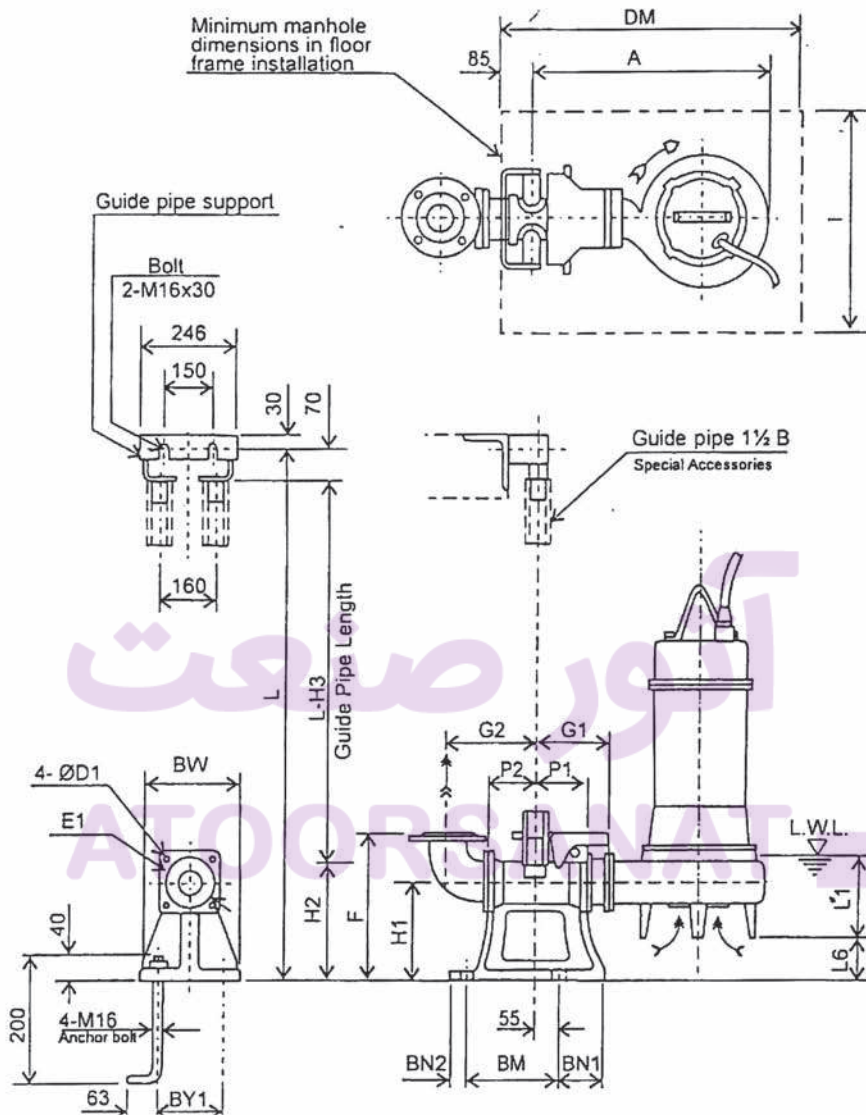
Units: mm unless otherwise specified

DIMENSION

Dimensions with QDC

Pump **DL** QDC **LL**

Applicable Models 100 DL



Note:

1/ For detailed dimensions of the pumps, refer to separate dimension data sheets.

2/ The discharge bend and companion flange supplied with the pump are used with the QDC.

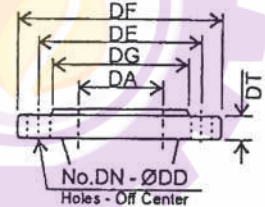
3/ The weight in dimension tables refers only to the weight of the QDC.

4/ Standard accessories supplied with QDC include:-

- Connector body with foundation bolts
- Guide pipe support
- Sliding Glide
- Adaptor Flange

Guide pipe is not supplied.

Discharge Flange
(JIS 10kgf/cm²)



| DA | DE | DF | DG | DT | DN | DD |
|-----|-----|-----|-----|----|----|----|
| 80 | 150 | 185 | 126 | 18 | 8 | 15 |
| 100 | 175 | 210 | 151 | 20 | 8 | 15 |

| Pump Model | A | P1 | P2 | G1 | G2 | F | H1 | H2 | H3 | L1 | L6 | BN1 | BN2 | BM | BY1 | BW | DM | I | D1 | E1 | QDC Model | Weight |
|--------------|-----|-----|-----|-----|-----|-----|-----|-----|-----|-----|-----|-----|-----|-----|-----|-----|------|-----|----|-----|-----------|--------|
| 100 DL 53.7 | 589 | 105 | 105 | 185 | 210 | 365 | 240 | 265 | 335 | 185 | 115 | 100 | 40 | 220 | 180 | 230 | 800 | 700 | 19 | 175 | LL100 | 46 kg |
| 100 DLB 55.5 | 621 | 105 | 105 | 185 | 210 | 365 | 240 | 265 | 335 | 205 | 42 | 100 | 40 | 220 | 180 | 230 | 800 | 700 | 19 | 175 | LL100 | 46 kg |
| 100 DLC 55.5 | 635 | 105 | 120 | 185 | 225 | 365 | 240 | 255 | 325 | 205 | 43 | 100 | 40 | 220 | 180 | 230 | 800 | 700 | 15 | 155 | LL80 | 44 kg |
| 100 DLB 57.5 | 648 | 105 | 105 | 185 | 210 | 365 | 240 | 265 | 335 | 205 | 42 | 100 | 40 | 220 | 180 | 230 | 800 | 700 | 19 | 175 | LL100 | 46 kg |
| 100 DLC 57.5 | 665 | 105 | 120 | 185 | 225 | 365 | 240 | 255 | 325 | 205 | 45 | 100 | 40 | 220 | 180 | 230 | 800 | 700 | 15 | 155 | LL80 | 44 kg |
| 100 DL 511 | 676 | 105 | 105 | 185 | 210 | 365 | 240 | 265 | 335 | 205 | 42 | 100 | 40 | 220 | 180 | 230 | 1000 | 700 | 19 | 175 | LL100 | 46 kg |
| 100 DL 515 | 716 | 105 | 105 | 185 | 210 | 365 | 240 | 265 | 335 | 205 | 35 | 100 | 40 | 220 | 180 | 230 | 1000 | 700 | 19 | 175 | LL100 | 46 kg |
| 100 DL 518 | 716 | 105 | 105 | 185 | 210 | 365 | 240 | 265 | 335 | 205 | 35 | 100 | 40 | 220 | 180 | 230 | 1000 | 700 | 19 | 175 | LL100 | 46 kg |

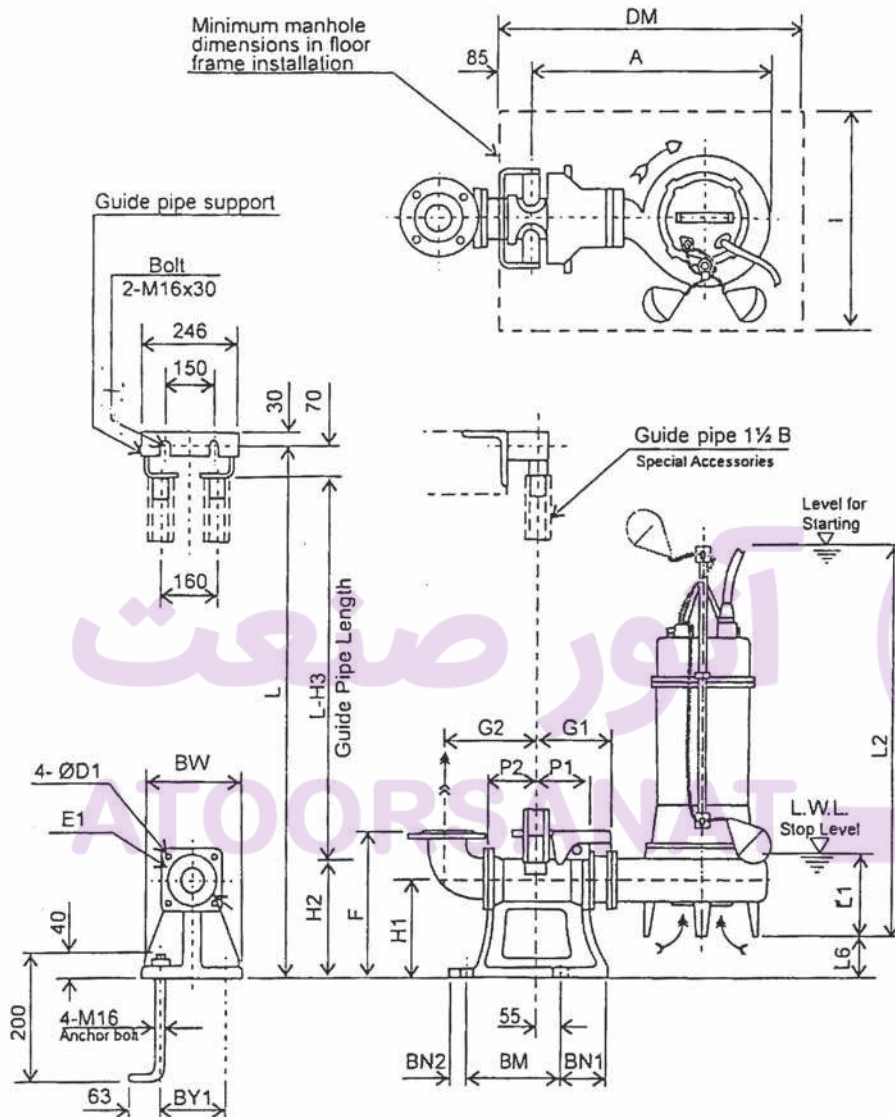
Units: mm unless otherwise specified

DIMENSION

Dimensions with QDC

Pump QDC
DLA LM

Applicable Models - 100 DLA



Note:

1/ For detailed dimensions of the pumps, refer to separate dimension data sheets.

2/ The discharge bend and companion flange supplied with the pump are used with the QDC.

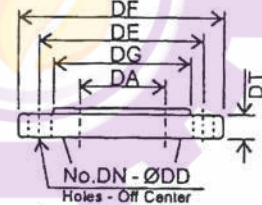
3/ The weight in dimension tables refers only to the weight of the QDC.

4/ Standard accessories supplied with QDC include:-

- Connector body with foundation bolts
- Guide pipe support
- Sliding Glide
- Adaptor Flange

Guide pipe is not supplied.

Discharge Flange
(JIS 10kgf/cm²)



| DA | DE | DF | DG | DT | DN | DD |
|-----|-----|-----|-----|----|----|----|
| 100 | 175 | 210 | 151 | 20 | 8 | 15 |

| Pump Model | A | P1 | P2 | G1 | G2 | F | H1 | H2 | H3 | L1 | L2 | L6 | BN1 | BN2 | BM | BY1 | BW | DM | I | D1 | E1 | QDC Model | Weight |
|--------------|-----|-----|-----|-----|-----|-----|-----|-----|-----|-----|-----|-----|-----|-----|-----|-----|-----|-----|-----|----|-----|-----------|--------|
| 100 DLA 53.7 | 589 | 105 | 105 | 185 | 210 | 365 | 240 | 265 | 335 | 320 | 860 | 115 | 100 | 40 | 220 | 180 | 230 | 800 | 700 | 19 | 175 | LL100 | 46 kg |

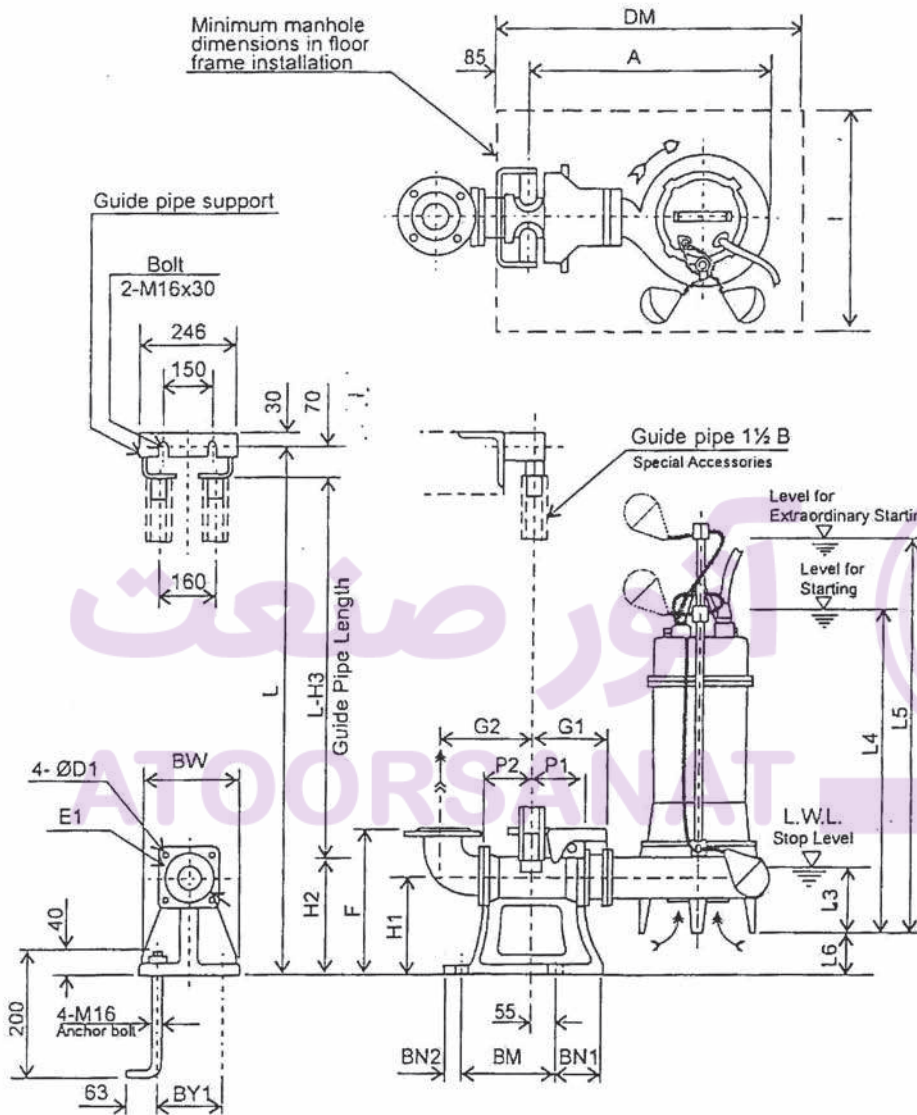
Units: mm unless otherwise specified

DIMENSION

Dimensions with QDC

Pump **DLJ** QDC **LM**

■ Applicable Models - 100 DLJ



Note:

1/. For detailed dimensions of the pumps, refer to separate dimension data sheets.

2/. The discharge bend and companion flange supplied with the pump are used with the QDC.

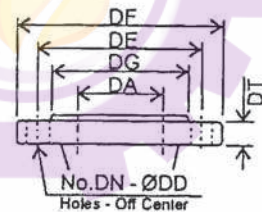
3/. The weight in dimension tables refers only to the weight of the QDC.

4/. Standard accessories supplied with QDC include:-

- Connector body with foundation bolts
- Guide pipe support
- Sliding Glide
- Adaptor Flange

Guide pipe is not supplied.

Discharge Flange
(JIS 10kgf/cm²)



| DA | DE | DF | DG | DT | DN | DD |
|-----|-----|-----|-----|----|----|----|
| 100 | 175 | 210 | 151 | 20 | 8 | 15 |

| Pump Model | A | P1 | P2 | G1 | G2 | F | H1 | H2 | H3 | L3 | L4 | L5 | L6 | BN1 | BN2 | BM | BY1 | BW | DM | I | D1 | E1 | QDC Model | Weight |
|--------------|-----|-----|-----|-----|-----|-----|-----|-----|-----|-----|-----|-----|-----|-----|-----|-----|-----|-----|-----|-----|----|-----|-----------|--------|
| 100 DLJ 53.7 | 589 | 105 | 105 | 185 | 210 | 365 | 240 | 265 | 335 | 290 | 780 | 970 | 115 | 100 | 40 | 220 | 180 | 230 | 800 | 700 | 19 | 175 | LL100 | 46 kg |

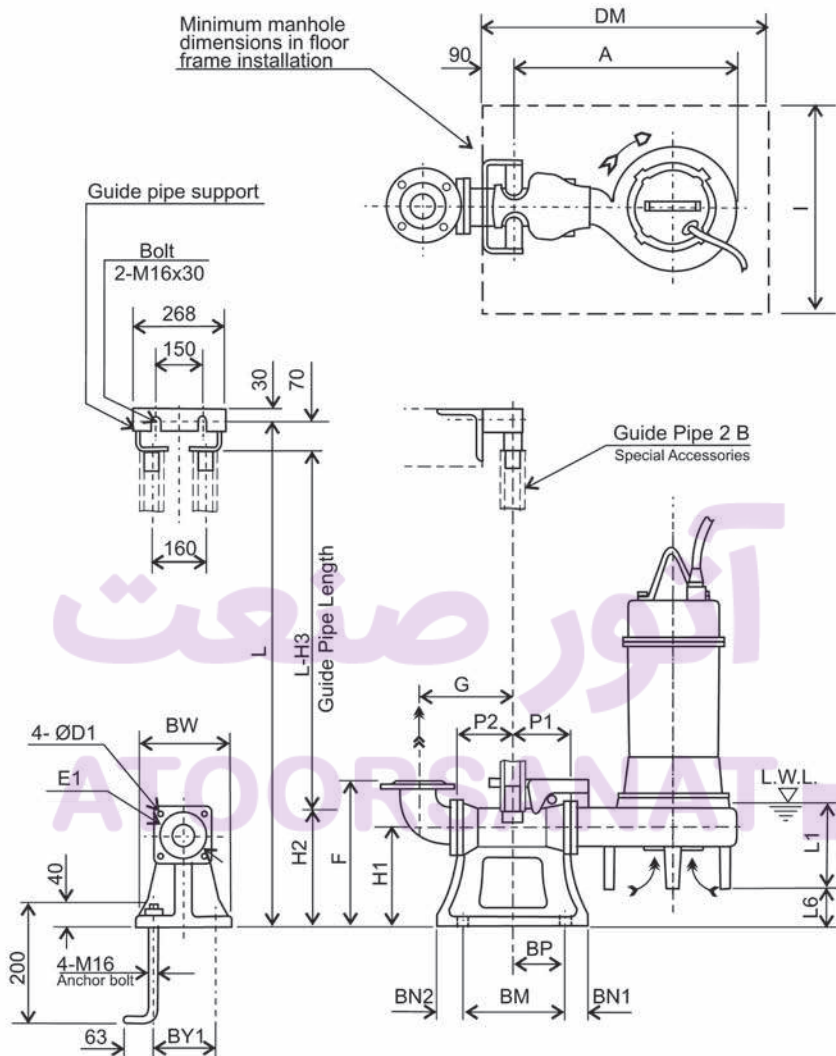
Units: mm unless otherwise specified

DIMENSION

Dimensions with QDC

Pump **DL** **QDC**
DL **LL**

Applicable Models - 150 & 200 DL



Note:

1/. L.W.L. (Low water Level) is limited to 10 minutes operation at low water level.

2/. Is limited to 30 minutes operation with water level below top of motor.

3/. For detailed dimensions of the pumps, refer to separate dimension data sheets.

4/. The discharge bend and companion flange supplied with the pump are used with the QDC.

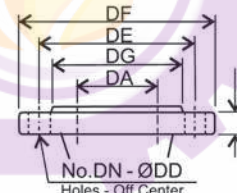
5/. The weight in dimension tables refers only to the weight of the QDC.

6/. Standard accessories supplied with QDC include:-

- Connector body with foundation bolts
- Guide pipe support
- Sliding Glide

Guide pipe is not supplied.

Discharge Flange
(JIS 10kg/cm²)



| DA | DE | DF | DG | DT | DN | DD |
|-----|-----|-----|-----|----|----|----|
| 150 | 240 | 280 | 212 | 22 | 8 | 19 |
| 200 | 290 | 330 | 262 | 26 | 12 | 23 |

| Pump Model | A | P1 | P2 | G | F | H1 | H2 | H3 | L1 | L6 | BN1 | BN2 | BM | BP | BY1 | BW | DM | I | D1 | E1 | QDC Model | Weight |
|-------------|-----|-----|-----|-----|-----|-----|-----|-----|-----|-----|-----|-----|-----|-----|-----|-----|------|-----|----|-----|-----------|--------|
| 150 DL 55.5 | 635 | 155 | 195 | 325 | 450 | 290 | 362 | 432 | 245 | 69 | 60 | 60 | 370 | 165 | 280 | 330 | 1000 | 700 | 16 | 210 | LL125 | 65 kg |
| 150 DL 57.5 | 665 | 155 | 195 | 325 | 450 | 290 | 362 | 432 | 245 | 73 | 60 | 60 | 370 | 165 | 280 | 330 | 1000 | 700 | 16 | 210 | LL125 | 65 kg |
| 150 DL 511 | 695 | 155 | 195 | 325 | 450 | 290 | 362 | 432 | 245 | 73 | 60 | 60 | 370 | 165 | 280 | 330 | 1000 | 700 | 16 | 210 | LL125 | 65 kg |
| 150 DL 515 | 695 | 155 | 195 | 325 | 450 | 290 | 362 | 432 | 245 | 73 | 60 | 60 | 370 | 165 | 280 | 330 | 1000 | 700 | 16 | 210 | LL125 | 65 kg |
| 150 DL 518 | 733 | 155 | 195 | 325 | 450 | 290 | 362 | 432 | 245 | 69 | 60 | 60 | 370 | 165 | 280 | 330 | 1000 | 700 | 16 | 210 | LL125 | 65 kg |
| 150 DL 522 | 733 | 155 | 195 | 325 | 450 | 290 | 362 | 432 | 245 | 69 | 60 | 60 | 370 | 165 | 280 | 330 | 1000 | 700 | 16 | 210 | LL125 | 65 kg |
| 150 DL 530 | 777 | 155 | 205 | 355 | 480 | 320 | 405 | 475 | 288 | 210 | 60 | 60 | 390 | 170 | 300 | 350 | 1100 | 800 | 16 | 250 | LL150 | 80 kg |
| 150 DL 537 | 777 | 155 | 205 | 355 | 480 | 320 | 405 | 475 | 296 | 210 | 60 | 60 | 390 | 170 | 300 | 350 | 1100 | 800 | 16 | 250 | LL150 | 80 kg |
| 150 DL 545 | 777 | 155 | 205 | 355 | 480 | 320 | 405 | 475 | 296 | 210 | 60 | 60 | 390 | 170 | 300 | 350 | 1100 | 800 | 16 | 250 | LL150 | 80 kg |
| 200 DL 55.5 | 672 | 155 | 205 | 355 | 495 | 320 | 405 | 475 | 285 | 81 | 60 | 60 | 390 | 170 | 300 | 350 | 1100 | 800 | 16 | 250 | LL150 | 80 kg |
| 200 DL 57.5 | 703 | 155 | 205 | 355 | 495 | 320 | 405 | 475 | 285 | 85 | 60 | 60 | 390 | 170 | 300 | 350 | 1100 | 800 | 16 | 250 | LL150 | 80 kg |
| 200 DL 511 | 703 | 155 | 205 | 355 | 495 | 320 | 405 | 475 | 285 | 85 | 60 | 60 | 390 | 170 | 300 | 350 | 1100 | 800 | 16 | 250 | LL150 | 80 kg |
| 200 DL 515 | 736 | 155 | 205 | 355 | 495 | 320 | 405 | 475 | 285 | 84 | 60 | 60 | 390 | 170 | 300 | 350 | 1100 | 800 | 16 | 250 | LL150 | 80 kg |
| 200 DL 518 | 772 | 155 | 205 | 355 | 495 | 320 | 405 | 475 | 285 | 80 | 60 | 60 | 390 | 170 | 300 | 350 | 1100 | 800 | 16 | 250 | LL150 | 80 kg |
| 200 DL 522 | 772 | 155 | 205 | 355 | 495 | 320 | 405 | 475 | 285 | 80 | 60 | 60 | 390 | 170 | 300 | 350 | 1100 | 800 | 16 | 250 | LL150 | 80 kg |
| 200 DL 530 | 777 | 155 | 205 | 355 | 495 | 320 | 405 | 475 | 288 | 210 | 60 | 60 | 390 | 170 | 300 | 350 | 1100 | 800 | 16 | 250 | LL150 | 80 kg |
| 200 DL 545 | 777 | 155 | 205 | 355 | 495 | 320 | 405 | 475 | 296 | 210 | 60 | 60 | 390 | 170 | 300 | 350 | 1100 | 800 | 16 | 250 | LL150 | 80 kg |

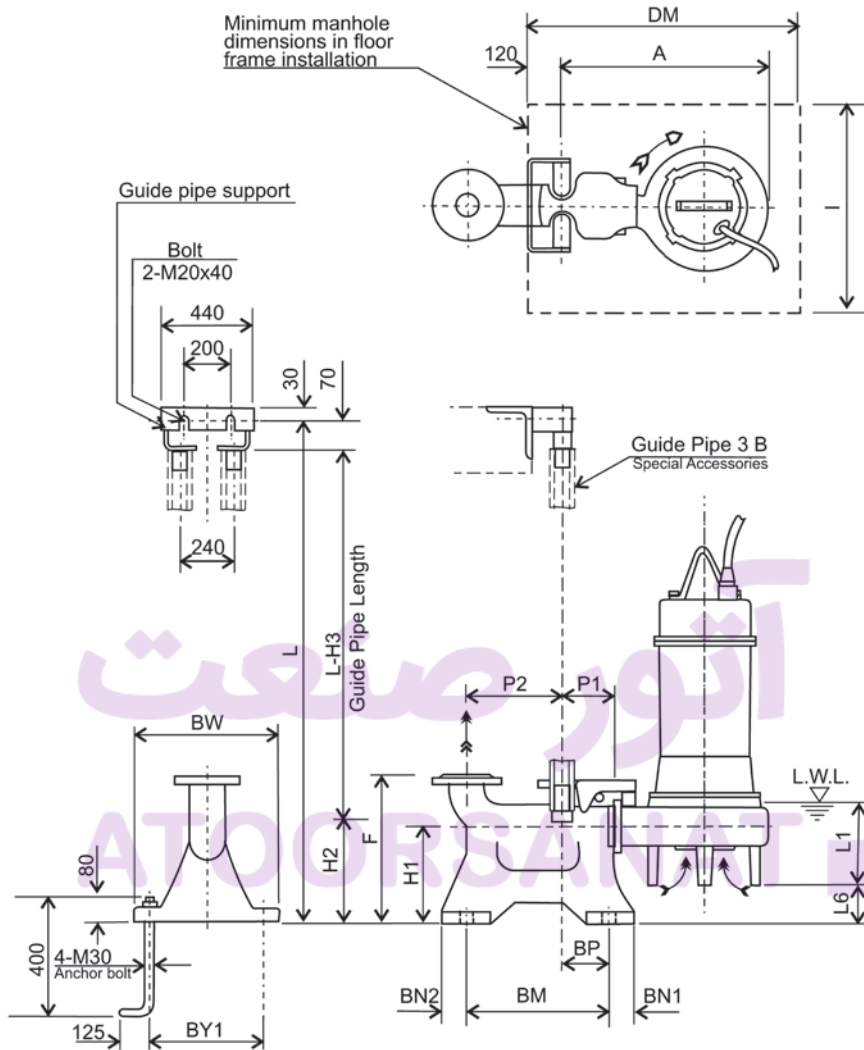
Units: mm unless otherwise specified

DIMENSION

Dimensions with QDC

Pump **DL** QDC **LL**

Applicable Models - 250 & 300 DL



Note:

1/. L.W.L. (Low water Level) is limited to 10 minutes operation at low water level.

2/. Is limited to 30 minutes operation with water level below top of motor.

3/. For detailed dimensions of the pumps, refer to separate dimension data sheets.

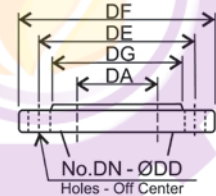
4/. The discharge bend and companion flange supplied with the pump are used with the QDC.

5/. The weight in dimension tables refers only to the weight of the QDC.

6/. Standard accessories supplied with QDC include:-

- Connector body with foundation bolts
- Guide pipe support
- Sliding Glide

Discharge Flange
(JIS 10kgf/cm²)



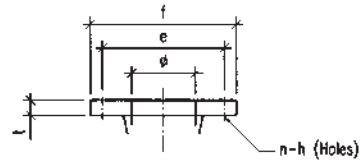
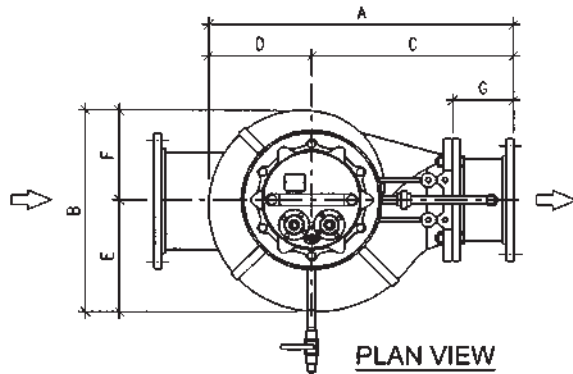
| DA | DE | DF | DG | DT | DN | DD |
|----|-----|-----|-----|----|----|----|
| 65 | 140 | 175 | 116 | 18 | 4 | 15 |
| 80 | 150 | 185 | 126 | 18 | 8 | 15 |

| Pump Model | A | P1 | P2 | F | H1 | H2 | H3 | L1 | L6 | BN1 | BN2 | BM | BP | BY1 | BW | DM | I | QDC Model | Weight |
|-------------|-----|-----|-----|-----|-----|-----|-----|-----|-----|-----|-----|-----|-----|-----|-----|------|-----|-----------|--------|
| 250 DL 57.5 | 834 | 195 | 435 | 700 | 350 | 440 | 510 | 400 | 58 | 70 | 70 | 650 | 215 | 500 | 560 | 1200 | 900 | LL250 | 150 kg |
| 250 DL 511 | 858 | 195 | 435 | 700 | 350 | 440 | 510 | 400 | 46 | 70 | 70 | 650 | 215 | 500 | 560 | 1200 | 900 | LL250 | 150 kg |
| 250 DL 515 | 872 | 195 | 435 | 700 | 350 | 440 | 510 | 400 | 34 | 70 | 70 | 650 | 215 | 500 | 560 | 1200 | 900 | LL250 | 150 kg |
| 250 DL 518 | 872 | 195 | 435 | 700 | 350 | 440 | 510 | 400 | 34 | 70 | 70 | 650 | 215 | 500 | 560 | 1200 | 900 | LL250 | 150 kg |
| 250 DL 522 | 872 | 195 | 435 | 700 | 350 | 440 | 510 | 400 | 34 | 70 | 70 | 650 | 215 | 500 | 560 | 1200 | 900 | LL250 | 150 kg |
| 250 DL 530 | 990 | 195 | 465 | 800 | 430 | 550 | 620 | 292 | 300 | 70 | 70 | 680 | 215 | 580 | 640 | 1200 | 900 | LL300 | 200 kg |
| 250 DL 537 | 990 | 195 | 465 | 800 | 430 | 550 | 620 | 319 | 300 | 70 | 70 | 680 | 215 | 580 | 640 | 1200 | 900 | LL300 | 200 kg |
| 250 DL 545 | 990 | 195 | 465 | 800 | 430 | 550 | 620 | 319 | 300 | 70 | 70 | 680 | 215 | 580 | 640 | 1200 | 900 | LL300 | 200 kg |
| 300 DL 511 | 917 | 195 | 465 | 800 | 430 | 550 | 620 | 450 | 109 | 70 | 70 | 680 | 215 | 580 | 640 | 1200 | 900 | LL300 | 200 kg |
| 300 DL 515 | 917 | 195 | 465 | 800 | 430 | 550 | 620 | 450 | 109 | 70 | 70 | 680 | 215 | 580 | 640 | 1200 | 900 | LL300 | 200 kg |
| 300 DL 518 | 952 | 195 | 465 | 800 | 430 | 550 | 620 | 450 | 112 | 70 | 70 | 680 | 215 | 580 | 640 | 1200 | 900 | LL300 | 200 kg |
| 300 DL 522 | 952 | 195 | 465 | 800 | 430 | 550 | 620 | 450 | 112 | 70 | 70 | 680 | 215 | 580 | 640 | 1200 | 900 | LL300 | 200 kg |
| 300 DL 530 | 990 | 195 | 465 | 800 | 430 | 550 | 620 | 292 | 300 | 70 | 70 | 680 | 215 | 580 | 640 | 1200 | 900 | LL300 | 200 kg |
| 300 DL 537 | 990 | 195 | 465 | 800 | 430 | 550 | 620 | 319 | 300 | 70 | 70 | 680 | 215 | 580 | 640 | 1200 | 900 | LL300 | 200 kg |
| 300 DL 545 | 990 | 195 | 465 | 800 | 430 | 550 | 620 | 319 | 300 | 70 | 70 | 680 | 215 | 580 | 640 | 1200 | 900 | LL300 | 200 kg |

Units: mm unless otherwise specified

DIMENSION (DRY-PIT VERSION)

Dimensions - Manual Models - 150, 200DDL 30-45kW (DRY PIT) 50Hz



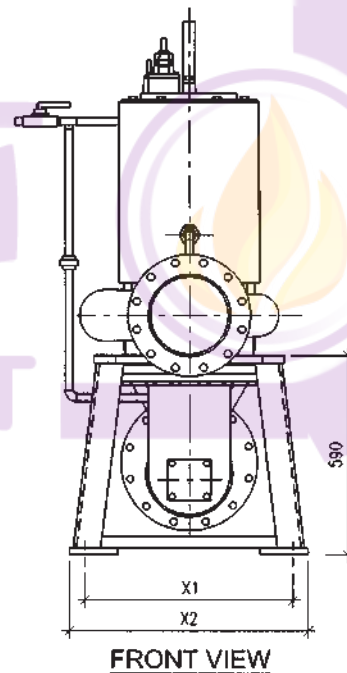
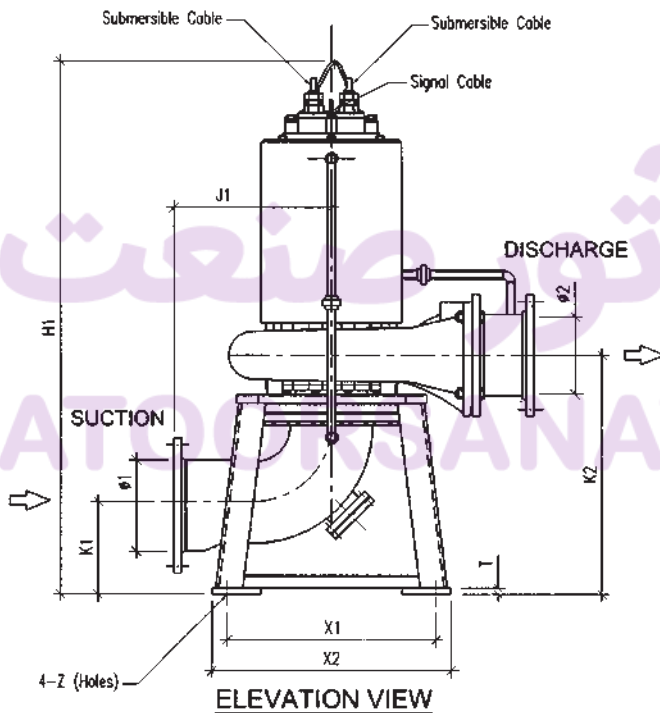
DISCHARGE PIPE FLANGE

| #2 | e | f | t | n | h |
|-----|-----|-----|----|----|----|
| 150 | 240 | 280 | 22 | B | 19 |
| 200 | 250 | 343 | 24 | 12 | 23 |

SUCTION PIPE FLANGE

| #1 | e | f | t | n | h |
|-----|-----|-----|----|----|----|
| 200 | 250 | 343 | 29 | 12 | 23 |

* FLANGE STD : JIS 10K RF

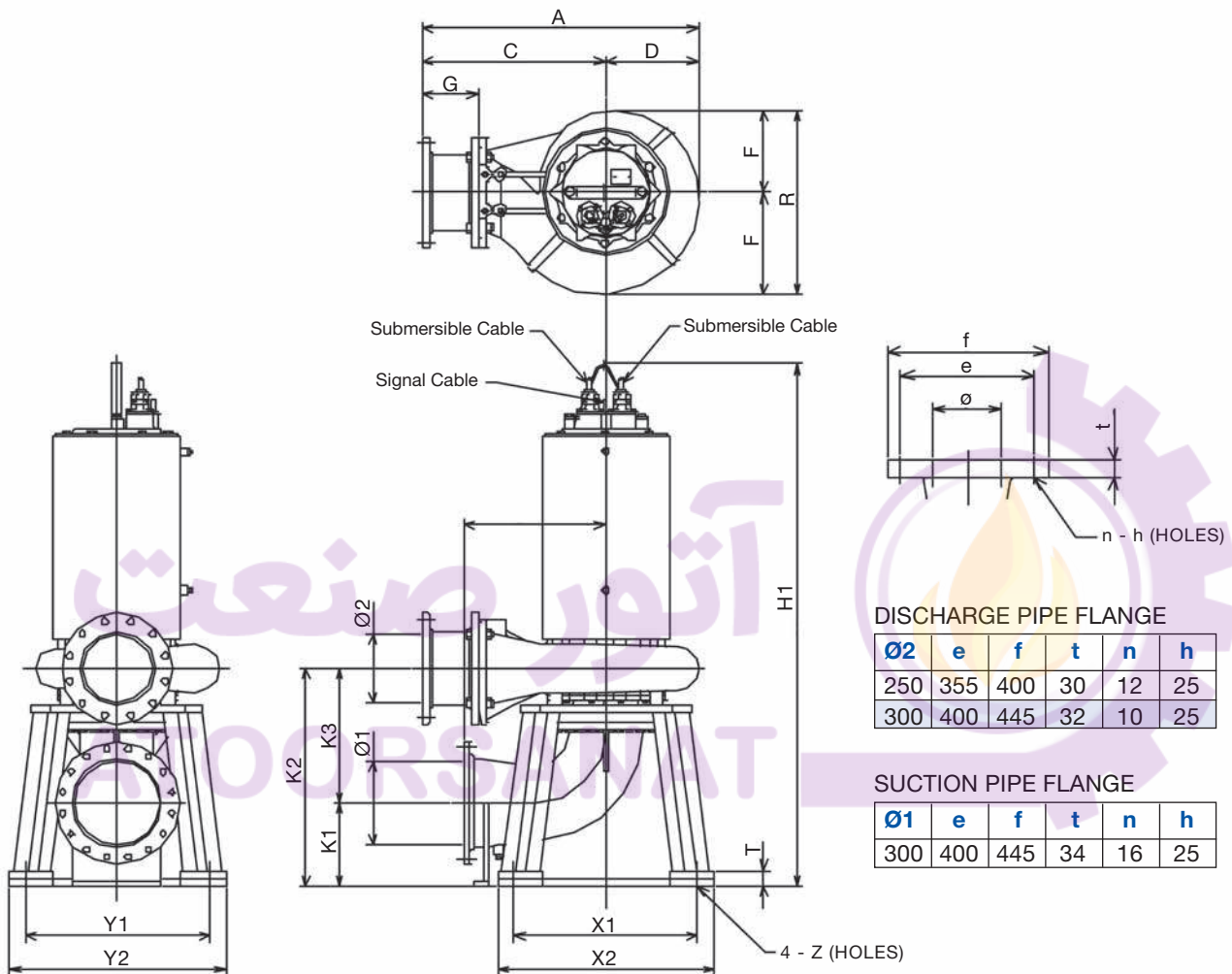


| PHASE | HZ | SIZE DA | | MODEL | OUTPUT KW | PUMP & MOTOR DIMENSION | | | | | | | | | | | | | | |
|-------|----|---------|-----|------------------|-----------|------------------------|-----|-----|-----|-----|-----|-----|------|-----|-----|-----|---|-----|-----|----|
| | | Ø1 | Ø2 | | | A | B | C | D | E | F | G | H1 | J1 | K1 | K2 | T | X1 | X2 | Z |
| 3 | 50 | 200 | 150 | 200 x 150 DDL530 | 30 | 772 | 520 | 510 | 262 | 283 | 238 | 150 | 1350 | 320 | 250 | 700 | 9 | 570 | 680 | 20 |
| | | | | 200 x 150 DDL537 | 37 | 772 | 520 | 510 | 262 | 283 | 38 | 150 | 1350 | 320 | 250 | 700 | 9 | 570 | 680 | 20 |
| | | | | 200 x 150 DDL545 | 45 | 772 | 520 | 510 | 262 | 283 | 238 | 150 | 1350 | 320 | 250 | 700 | 9 | 570 | 680 | 20 |
| | | 200 | 200 | 200 x 200 DDL530 | 30 | 772 | 520 | 510 | 262 | 283 | 238 | 150 | 1350 | 320 | 250 | 700 | 9 | 570 | 680 | 20 |
| | | | | 200 x 200 DDL537 | 37 | 772 | 520 | 510 | 262 | 283 | 238 | 150 | 1350 | 320 | 250 | 700 | 9 | 570 | 680 | 20 |
| | | | | 200 x 200 DDL545 | 45 | 772 | 520 | 510 | 262 | 283 | 238 | 150 | 1350 | 320 | 250 | 700 | 9 | 570 | 680 | 20 |

Units: mm unless otherwise specified

DIMENSION (DRY-PIT VERSION)

Dimensions - Manual Models - 250, 300DDL 30-45kW (DRY PIT) 50Hz



| PHASE | Hz | SIZE DA | | MODEL | OUTPUT KW | PUMP & MOTOR DIMENSION | | | | | | | | | | | | | | | | |
|-------|----|---------|-----|------------------|-----------|------------------------|-----|-----|-----|------------------|-----|-----|-----|-----|-----|-----|-----|-----|-----|-----|-----|------|
| | | Ø1 | Ø2 | | | A | B | C | D | E | F | G | K1 | K2 | K3 | X1 | X2 | Y1 | X2 | T | J1 | H1 |
| | | | | | | THREE | 50 | 300 | 250 | 300 x 250 DDL530 | 30 | 995 | 660 | 660 | 335 | 368 | 293 | 200 | 304 | 785 | 481 | 665 |
| | | | 250 | 300 x 250 DDL537 | 37 | 995 | 660 | 660 | 335 | 368 | 293 | 200 | 304 | 785 | 481 | 665 | 780 | 665 | 780 | 56 | 514 | 1884 |
| | | | 300 | 300 x 250 DDL545 | 45 | 995 | 660 | 660 | 335 | 368 | 293 | 200 | 304 | 785 | 481 | 665 | 780 | 665 | 780 | 56 | 514 | 1884 |
| | | | 300 | 300 x 300 DDL530 | 30 | 1105 | 660 | 770 | 335 | 368 | 293 | 310 | 304 | 785 | 481 | 665 | 780 | 665 | 780 | 56 | 514 | 1745 |
| | | | 300 | 300 x 300 DDL537 | 37 | 1105 | 660 | 770 | 335 | 368 | 293 | 310 | 304 | 785 | 481 | 665 | 780 | 665 | 780 | 56 | 514 | 1884 |
| | | | 300 | 300 x 300 DDL545 | 45 | 1105 | 660 | 770 | 335 | 368 | 293 | 310 | 304 | 785 | 481 | 665 | 780 | 665 | 780 | 56 | 514 | 1884 |

Units: mm unless otherwise specified