



CHINA · GUANGLU ELECTRICAL CO., LTD.

IE2系列电动机

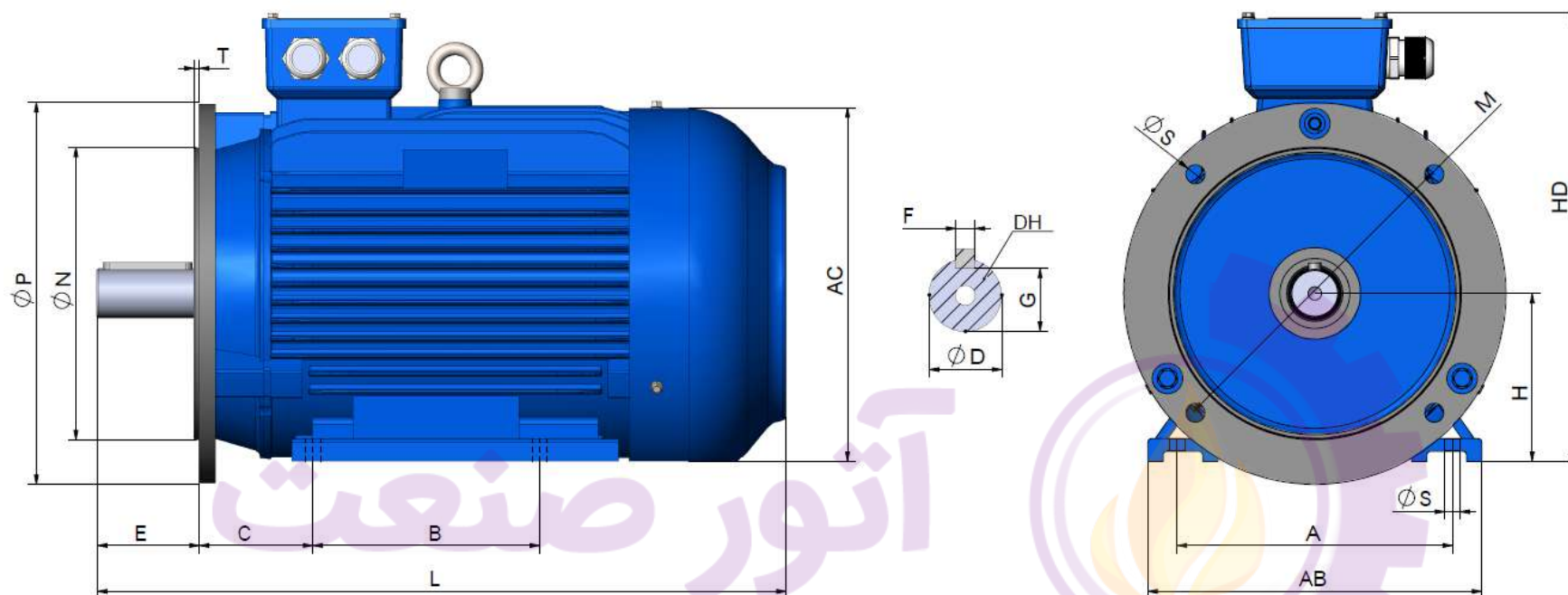


TECHNICAL DATA OF IE2 SERIES

	Frame reference and size	Rated power	Full load speed in revolutions per minute	Full load current at rated voltage	Efficiency	Power factor	Direct on line starting torque ratio	Direct on line starting current ratio	Direct on line pull out torque ratio	Mean sound pressure level @ 1m on no load	Voltage
NO.	Type	Output kW	Speed	Amps	EFF.	P.F.	LRT/RLT	LRA/RLA	BDT/RLT	Noise LwdB	Voltage
			r/min	A	%	cosφ				(A)	V
1	IE2-80M1-2	0.75	2850	1.7	77.4	0.82	2.3	6.8	2.3	62	400
2	IE2-80M2-2	1.1	2870	2.4	79.6	0.83	2.3	7.1	2.3	62	400
3	IE2-90S-2	1.5	2880	3.2	81.3	0.84	2.3	7.3	2.3	67	400
4	IE2-90L-2	2.2	2880	4.5	83.2	0.85	2.3	7.6	2.3	67	400
5	IE2-100L1-2	3	2880	5.9	84.6	0.87	2.2	7.8	2.3	74	400
6	IE2-112M-2	4	2900	7.6	85.8	0.88	2.3	8.1	2.3	77	400
7	IE2-132S1-2	5.5	2910	10.4	87	0.88	2.2	8.2	2.3	79	400
8	IE2-132S2-2	7.5	2910	13.8	88.1	0.89	2.2	7.8	2.3	79	400
9	IE2-160M1-2	11	2940	20	89.4	0.89	2.2	7.9	2.3	81	400
10	IE2-160M2-2	15	2940	26.9	90.3	0.89	2.2	8	2.3	81	400
11	IE2-160L-2	18.5	2940	33	90.9	0.89	2.2	8	2.3	81	400
12	IE2-180M-2	22	2950	39.1	91.3	0.89	2.2	8.1	2.3	83	400
13	IE2-200L1-2	30	2960	52.9	92	0.89	2	7.5	2.3	84	400
14	IE2-200L2-2	37	2960	64.9	92.5	0.89	2	7.5	2.3	84	400
15	IE2-225M-2	45	2960	78.6	92.9	0.89	2.2	7.5	2.3	86	400
16	IE2-250M-2	55	2970	96	93.2	0.89	2.2	7.6	2.3	89	400
17	IE2-280S-2	75	2975	130	93.8	0.89	2	6.9	2.3	91	400
18	IE2-280M-2	90	2975	155	94.1	0.89	2	6.9	2.3	91	400
19	IE2-315S-2	110	2975	187	94.3	0.9	2	7	2.2	92	400

20	IE2-315M-2	132	2975	224	94.6	0.9	2	7	2.2	92	400
21	IE2-315L1-2	160	2975	268	94.8	0.91	2	7.1	2.2	92	400
22	IE2-315L2-2	200	2975	334	95	0.91	2	7.1	2.2	92	400
23	IE2-355M-2	250	2980	418	95	0.91	1.6	7.1	2.2	100	400
24	IE2-355L-2	315	2980	526	95	0.91	1.6	7.2	2.2	100	400
25	IE2-80M2-4	0.75	1420	1.8	79.6	0.76	2.3	6.4	2.3	56	400
26	IE2-90S-4	1.1	1420	2.6	81.4	0.77	2.3	6.6	2.3	59	400
27	IE2-90L-4	1.5	1420	3.5	82.8	0.78	2.3	6.7	2.3	59	400
28	IE2-100L1-4	2.2	1440	4.7	84.3	0.8	2.3	7.3	2.3	64	400
29	IE2-100L2-4	3	1440	6.2	85.5	0.81	2.3	7.5	2.3	64	400
30	IE2-112M-4	4	1445	8.1	86.6	0.81	2.3	7.5	2.3	65	400
31	IE2-132S-4	5.5	1450	11.1	87.7	0.82	2	7.5	2.3	71	400
32	IE2-132M-4	7.5	1450	14.7	88.7	0.83	2	7.3	2.3	71	400
33	IE2-160M-4	11	1470	21.3	89.8	0.83	2.2	7.4	2.3	73	400
34	IE2-160L-4	15	1470	28.4	90.6	0.84	2.2	7.5	2.3	73	400
35	IE2-180M-4	18.5	1470	34.4	91.2	0.85	2.2	7.6	2.3	76	400
36	IE2-180L-4	22	1470	40.8	91.6	0.85	2.2	7.7	2.3	76	400
37	IE2-200L-4	30	1470	55.2	92.3	0.85	2.2	7.1	2.3	76	400
38	IE2-225S-4	37	1480	67	92.7	0.86	2.2	7.3	2.3	78	400
39	IE2-225M-4	45	1480	81.1	93.1	0.86	2.2	7.3	2.3	78	400
40	IE2-250M-4	55	1480	99	93.5	0.86	2.2	7.3	2.3	79	400
41	IE2-280S-4	75	1480	132	94	0.87	2.2	6.8	2.3	80	400
42	IE2-280M-4	90	1480	157	94.2	0.88	2.2	6.9	2.3	80	400
43	IE2-315S-4	110	1480	189	94.5	0.89	2.1	6.9	2.2	88	400
44	IE2-315M-4	132	1480	226	94.7	0.89	2.1	6.9	2.2	88	400
45	IE2-315L1-4	160	1480	270	94.9	0.9	2.2	6.9	2.2	88	400
46	IE2-315L2-4	200	1480	337	95.1	0.9	2.1	6.9	2.2	88	400
47	IE2-355M-4	250	1490	422	95.1	0.9	2.1	6.9	2.2	95	400
48	IE2-355L-4	315	1490	531	95.1	0.9	2.1	6.9	2.2	95	400

49	IE2-90S-6	0.75	930	2	75.9	0.71	2	5.8	2.1	57	400
50	IE2-90L-6	1.1	930	2.8	78.1	0.72	2	5.9	2.1	57	400
51	IE2-100L1-6	1.5	930	3.7	79.8	0.72	2	5.9	2.1	61	400
52	IE2-112M-6	2.2	945	5.4	81.8	0.72	2.1	6.2	2.1	65	400
53	IE2-132S-6	3	960	7.1	83.3	0.72	2	6.4	2.1	69	400
54	IE2-132M1-6	4	965	9.2	84.6	0.74	2	6.6	2.1	69	400
55	IE2-132M2-6	5.5	965	12.3	86	0.75	2	6.8	2.1	69	400
56	IE2-160M-6	7.5	970	15.9	87.2	0.78	2.1	6.8	2.1	73	400
57	IE2-160L-6	11	970	22.7	88.7	0.79	2.1	6.9	2.1	73	400
58	IE2-180L-6	15	980	29.8	89.7	0.81	2	7.3	2.1	73	400
59	IE2-200L1-6	18.5	980	36.5	90.4	0.81	2.1	7.2	2.1	73	400
60	IE2-200L2-6	22	980	43.1	90.9	0.81	2.1	7.3	2.1	73	400
61	IE2-225M-6	30	980	57.6	91.7	0.82	2	6.8	2.1	74	400
62	IE2-250M-6	37	980	69.8	92.2	0.83	2.1	7	2.1	76	400
63	IE2-280S-6	45	980	82	92.7	0.85	2.1	7.2	2	78	400
64	IE2-280M-6	55	980	100	93.1	0.85	2.1	7.2	2	78	400
65	IE2-315S-6	75	990	136	93.7	0.85	2	6.5	2	83	400
66	IE2-315S-6	90	990	163	94	0.85	2	6.6	2	83	400
67	IE2-315M-6	110	990	198	94.3	0.85	2	6.6	2	83	400
68	IE2-315L1-6	132	990	234	94.6	0.86	2	6.6	2	83	400
69	IE2-315L2-6	160	990	283	94.8	0.86	1.9	6.7	2	85	400
70	IE2-355M2-6	200	990	353	95	0.86	2	6.8	2	85	400
71	IE2-355L-6	250	990	442	95	0.86	2	6.8	2	85	400



FRAME WITH FEET AND END-SHIELD WITH FLANGE(IM B35)

FRAME SIZE	POLES	A	A/2	B	C	D	E	F	G	H	K	M	N	P	S	T	FLANGE	AB	AC	AD	HD	L	DH*
																	HOLES						
80M	2 4 6	125	62.5	100	50	19	40	6	16	80	10	165	130	200	12	3.5	4	153	157	140	220	295	M6×16
90S	2 4 6	140	70	100	56	24	50	8	20	90	10	165	130	200	12	3.5	4	177	177	150	240	327	M8×19
90L	2 4 6	140	72	125	56	24	50	8	20	90	10	165	130	200	12	3.5	4	177	177	150	240	357	M8×19
100L	2 4 6	160	80	140	63	28	60	8	24	100	12	215	180	250	15	4	4	196	197	167	267	403	M10×22
112M	2 4 6	190	95	140	70	28	60	8	24	112	12	215	180	250	15	4	4	226	219	177	289	430	M10×22
132S	2 4 6	216	108	140	30	38	30	10	33	132	12	265	230	300	15	4	4	260	258	196	328	460	M12×28
132M	2 4 6	216	108	178	30	38	80	10	33	132	12	265	230	300	15	4	4	260	258	196	328	499	M12×28
160M	2 4 6	254	127	210	108	42	110	12	37	160	15	300	250	350	19	5	4	314	314	255	415	615	M16×36

160L	2 4 6	254	127	254	108	42	110	12	37	160	15	300	250	350	19	5	4	314	314	255	415	660	M16×36
180M	2 4 6	279	140	241	121	48	112	14	43	180	15	300	250	350	19	5	4	355	356	270	450	700	M16×36
180L	2 4 6	279	140	279	121	48	110	14	43	180	15	300	250	350	19	5	4	355	356	270	450	740	M16×36
200L	2 4 6	318	159	305	133	55	110	16	49	200	19	350	300	400	19	5	4	395	397	302	502	770	M20×42
225S	4	356	178	286	149	60	140	18	53	225	19	400	350	450	19	5	8	435	445	323	548	815	M20×42
225M	2	356	178	311	149	55	110	16	49	225	19	400	350	450	19	5	8	435	445	323	548	825	M20×42
	4 6	356	178	311	149	60	142	18	53	225	19	400	350	450	19	5	8	435	445	323	548	845	M20×42
250M	2	406	203	349	168	60	140	18	53	250	24	500	450	550	19	5	8	490	485	372	622	920	M20×42
	4 6	406	203	349	168	65	140	18	58	250	24	500	450	550	19	5	8	490	485	372	622	920	M20×42
280S	2	457	229	368	190	65	140	18	58	280	24	500	450	550	19	5	8	542	546	390	670	991	M20×42
	4 6	457	229	368	190	75	140	20	68	280	24	500	450	550	19	5	8	542	546	390	670	991	M20×42
280M	2	457	229	419	190	65	140	18	58	280	24	500	450	550	19	5	8	542	546	390	670	1046	M20×42
	4 6	457	229	419	190	75	140	20	68	280	24	500	450	550	19	5	8	542	546	390	670	1046	M20×42
315S	2	508	254	406	216	65	140	18	58	315	28	600	550	660	24	6	8	628	620	540	855	1185	M20×42
	4 6	508	254	406	216	80	170	22	71	315	28	600	550	660	24	6	8	628	620	540	855	1220	M20×42
315M	2	508	254	457	216	65	140	18	58	315	28	600	550	660	24	6	8	628	620	540	855	1290	M20×42
	4 6	508	254	457	216	80	170	22	71	315	28	600	550	660	24	6	8	628	620	540	855	1325	M20×42
315L	2	508	254	508	216	65	140	18	58	315	28	600	550	660	24	6	8	628	620	540	855	1290	M20×42
	4 6	508	254	508	216	80	170	22	71	315	28	600	550	660	24	6	8	628	620	540	855	1325	M20×42
355M	2	610	305	560	254	75	140	20	68	355	28	740	680	800	24	6	8	726	700	647	1002	1484	M20×42
	4 6	610	305	560	254	95	170	25	86	355	28	740	680	800	24	6	8	726	700	647	1002	1514	M20×42
355L	2	610	305	630	254	75	140	20	68	355	28	740	680	800	24	6	8	726	700	647	1002	1484	M20×42
	4 6	610	305	630	254	95	170	25	86	355	28	740	680	800	24	6	8	726	700	647	1002	1514	M20×42

Frame size	Poles	Drive End	Non-Drive End
		International type	International type
80	2-4	6204-2RZ	6204-2RZ
90	2-6	6205-2RZ	6205-2RZ
100	2-6	6206-2RZ	6206-2RZ
112	2-6	6306-2RZ	6306-2RZ
132	2-6	6308-2RZ	6308-2RZ
160	2-6	6309-2RZC3	6309-2RZC3
180	2-6	6311C3	6311C3
200	2-6	6312C3	6312C3
225	2-6	6313C3	6313C3
250	2-6	6314C3	6314C3
280	2	6314C3	6314C3
	4-6	6317C3	6317C3
315	2	6317C3	6317C3
	4-6	NU319C3	6319C3
355	2	6319C3	6319C3
	4-6	NU322C3	6322C3