

ALWAYS A STEP AHEAD

HIGH PRIDE / HIGHER PERFORMANCE / THE HIGHEST QUALITY

JEC
P U M P S



JEC

آتور صنعت
ATOORSANAT



ALWAYS A STEP AHEAD

JEC LTD. was founded as Jun Engineering in 1990 and started export in 1995.

As a result of continuous growth over the years and innovative management dedicated to the fulfillment of our customer's needs, now we have over 20 partners including Germany, U.S.A, Japan in the world.

JEC LTD. could only exist because of our dream to be a TOP 3 pump solution provider and to be a most reliable company to the customer and all JEC family.



Global Top 3

JEC, being always a step ahead, will be a Top 3 sanitary pumps manufacturer in the world through never-stop of research and developments.

Fast Innovation/Best Benefit

JEC will provide you a pure and clean quality of life through continuous innovation. JEC customer will be offered of the most reliable products which will bring the best benefit.

Professional/Initiative

Professional and initiative JEC members will create new value for customer's satisfaction. And we will keep our efforts to provide the best benefit and welfare to employees.



JEC SPECIALIST OF SANITARY PUMPS

HIGH PRIDE
HIGHER PERFORMANCE
THE HIGHEST QUALITY

JEC pumps have been tested in accordance with EHEDG requirements and authorized to carry the 3-A symbol.



Foods

soup, syrup, vinegar, chocolate, candy, sausages etc.

Dairy Products

milk, yogurt, cheese, butter, ice cream, cream etc.

Beverages

juice, coffee, healthy drink, beer, wine, makgeolli(raw rice wine) etc.

Oil

cooking oil, olive oil, palm oil, grape seed oil, grease etc.

Pharmaceuticals

water for injection(WFI), RO, DI Water etc.

Chemicals

skin, lotion, cream, purified water, various solvent etc.



آتور صنعت
ATOORSANAT



JEC ROTARY LOBE PUMPS

The JEC range of rotary pumps comprises a number of different pump types-each one application area. The pumps can be fitted with a variety of features to adapt to specific pumping tasks. In addition, it is possible to customize the pumps for optimum function or performance in relation to the job at hand.

HIGH PRIDE
HIGHER PERFORMANCE
THE HIGHEST QUALITY



Hygienic Design

JEC pumps offer a number of features that maximizes cleanability in order to provide a perfect CIP. ZL series have been certified in accordance with EHEDG standards and are authorized to carry the 3-A symbol.

Unique Seal Type

Front Loading Seal provides faster maintenance, easier cleaning and less downtime. All seal options O-ring seal, PTFE Triple lip-seal, Flushing seal are designed for quick and simple retrofit.

Upgraded CIP

Minimized product contact area at only 3mm between seal rings and case-profiled front cover O-ring positioned 0.5mm inside rotor case enable CIP performance do perfectly under any circumstances.

Bi-wing Rotor

A low-slip Bi-wing rotor maintains efficiency even on low viscosity products and gentle movement of delicate products; simple timing to reduce maintenance and minimize the potential for rotor-to-rotor contact.

Stainless Steel Gear Box

Optional stainless steel gearbox made from precision casting (Lost Wax) offers paint free, rust free and long last durability, therefore yields high life time value.

Helical Timing Gears

The pump rotors are driven gently at less vibration and extended of pump efficiency and seal lifetime by a high-precision ground helical gear even under high speed and discharge pressure.

SS316L and 0.6 μ mRA standard

All of product contact areas are standardized with SS316L and 0.6 μ m RA below of mirror surface in order to perfectly meet the GMP, EHEDG and 3-A requirements.

Universal Mounting

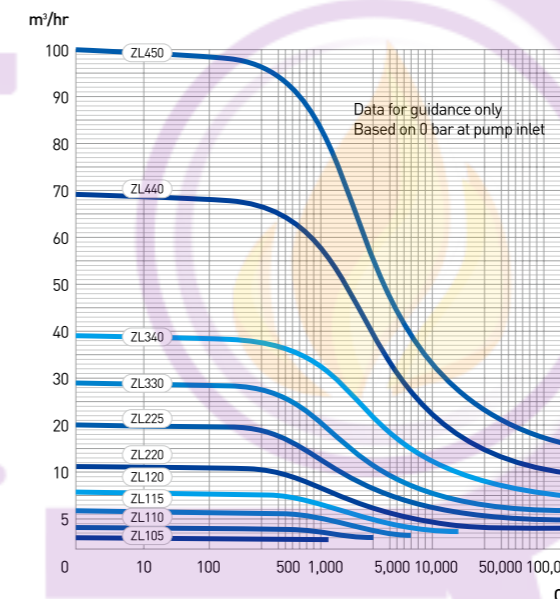
To allow high flexibility when fitting the pump into a production line, pumps can be mounted with top/bottom shaft drive, vertical/horizontal In-outlet and feet upward.

JRZL SERIES



You can always be sure of the greatest possible hygiene.

- ZL series are designed for broad applications spectrum covering dairy, food, beverages, pharmaceuticals, cosmetics, bakery, detergent, liquor, chemical industries and LCD/PDP manufacturing etc. They are designed specifically for conveying fluids in the low to high viscosity range with gentle product handling.
- With high grade 0.6 μ mRa surface finish, unique seal and casing design, ZL series are suitable for Cleaning In Place (CIP) and offer exceptional levels of hygiene.
- Wetted parts are made of SS 316L.
- Our broad range of seal options such as mechanical seal, O-ring seal and Lip seal provides optimal solution for your need and application.
- Optimal CIP is realized with O-ring position which minimizes dead-end between front cover and casing.
- JEC's various rotors geometry (Single wing, Bi-wing, Bi-lobe, Tri-lobe, Multi-lobe, Heli-lobe, Spur gear) provides utmost operating economy.
- A variety of connection options are available such as SMS, RJT, DIN, ISO, Tri-Clamp and Flanges.



Model	Litres/rev	Max Pressure bar	Port mm	Max Speed rpm
ZL105-002-20	0.02	20	25	1000
ZL110-005-20	0.05	20	25	1000
ZL115-012-12	0.12	12	38	800
ZL120-021-08	0.21	8	50	800
ZL220-040-12	0.40	12	50	700
ZL225-062-08	0.62	8	63	700
ZL330-102-12	1.02	12	76	600
ZL340-144-08	1.44	8	100	600
ZL440-227-12	2.27	12	100	500
ZL450-334-08	3.34	8	125	500

آتور صنعت
ATOORSANAT



Thermal Jacket Pumps

Designed for products that require temperature control such as sugars, chocolate, corn syrup and brewer's yeast with easy attachment to pump front cover or casing.



Rectangular Inlet

Enlarged rectangular inlet allows highly viscous products such as semi-solid pastes or mixtures containing semi-solid pieces to be pumped.



Pressure Relief Valve

The pressure relief valve protects the system from pressure peaks or restrictions in the discharge, providing a pressure relief valve loop from discharge to the suction areas.



Ultra Clean Pumps

Fully self-draining pump head and external rotor fixing can eliminate any contaminations and internal crevices, and match to sterile pharmaceuticals, ultra-hygienic food processing, aseptic manufacturing, which need "the best clean".

JRZL SERIES

JRZL WITH VARIOUS OPTIONS FOR YOUR NEEDS



High Pressure Pumps

High pressure pumps adapt front bearing cover to support shafts on front and back position. This well-balanced shaft design is allowed to be used up to 30bar without shafts' deflection from sudden pressure peaks or restrictions in the discharge. Hygienic design provides a perfect CIP and simply engineered construction with Front Loading Seal enables easy maintenance.



Acculab

AccuLab is specially designed for superior metering accuracy with multi-lobe rotors or spur gear rotors which allows minimum pulsation, precise volumetric dosing and packaging, lab and pilot plant or manufacturing applications as well as general fluid transfer.



Integrated Pumps

Directly flanged coupling to geared motor minimizes a risk of shaft misalignment and is less restricted to installed-area by eliminating common base plate, allowing less down time for assembling.

Heli-Lobe Rotor Pumps

Heli-lobe rotors realize the maximum pumping efficiency with pulsation-free, increased capacity through higher speed limits and increased suction capability through decreasing cavitation limits.



Double Heli-Lobe Rotor Pumps

This pump is designed to last up to 30bars with front bearing cover and to transfer up to 7 liters/rev with double Heli-lobe rotors which two heli-lobe rotors are installed into each top and bottom shaft.



JEC TRUCK PUMPS



JEC WINE PUMPS



JTP SERIES

JTP series hailed as the best truck pump in the world.

- JTP series provide higher capacity, higher pressure, and unmatched efficiency on a variety of viscosities enabling faster unloading and loading.
- Optimal hygienic construction is realized with profiled gasket system, high grade 0.6µmRa surface finish and minimized dead-end seal area.
- Wetted parts are made of SS 316L
- Front Loading Seal makes faster and easier maintenance without removing the rotor housing.
- JTP series have light body, high efficiency and saving fuel consumption than other truck pumps.
- Female drive shaft accepts direct-coupled SAE B or C flanged hydraulic motors as an alternative to the standard PTO male shaft (JTP300 series only).

Model	Litres/rev	Max Pressure bar	Port mm	Weight kg	Max Speed rpm
JTP 220-078-15	0.78	15	50	77	700
JTP 230-107-10	1.07	10	80	83	700
JTP 330-116-12	1.16	12	80	53	700
JTP 340-163-08	1.63	8	80	60	700
ZLT 330-116-12	1.16	12	80	91	700
JTP 430-116-12	1.16	12	80	80	700

JRZW SERIES

JRZW series are the best choice for winemaking process.

- During red wine making process, 4~5days fermentation and 30~40 days maceration is needed. The process of fermentation in wine is the catalyst function that turns grape juice into an alcoholic beverage and maceration is the main wine making process by which the red wine receives its red color, since 99% of all grape juice is clear-grayish in color by pumping wine out from under and over onto the top.
- ZW series are specially designed for red winemaking process in order to provide the top quality wine and the best efficiency for wine maker.
- Since ZW series rotors are made of PE, pumps are safe from galling by grape skins, seeds and stems.
- Heli-lobe rotors are standard, optionally Bi-lobe.
- Standard stainless steel gear box made from precision casting offers paint free, rust free and long last durability and therefore yields high lifetime value.
- Specially designed triple lip seal provides faster maintenance, reliable sealing and an extended seal lifetime.
- ZW series can adapt Front Loading Seal same as ZL series which have been certified of EHEDG and 3-A standard. (optional)
- A variety of connection options are available such as SMS, RJT, DIN, ISO, Tri-Clamp and Flanges.

JEC CIRCUMFERENTIAL PISTON PUMPS

JEC's New ZP series are developed based on JEC's proven expertise and accumulated knowledge in a field of sanitary pumps. Fully CIP'able, the ZP design meets the most stringent sanitary standards by adapting ZL's Front Loading Seal system.



Hygienic Design

ZP series, certified EHEDG and 3-A Standard, offer a perfect CIP better than other major CP pumps and enables stable operation under severe condition of high discharge pressure through upgraded Front Loading Seal design.

Alloy 88 Rotor

ZP rotors are made of stainless steel 316L. The close clearances combined with the rotor geometry, which gives a long sealing path between the pump inlet and outlet, means low slip operation. (optional: Alloy 88 steel rotor)

Upgraded CIP

Upgraded balance type Front Loading Seal System offers reliable sealing and perfect CIP under pressure. Moreover, changing of seal is possible without disassembling of casing which realizes less down time.

Easy Fitting

Compared to other major CP pumps' shim location, stainless steel shim being located between gearbox and casing makes easy fitting of rotor clearance.

Stainless Steel Gear Box

Optional stainless steel gear box made from precision casting (Lost Wax) offers paint free and long last durability and therefore yields high lifetime value.

Helical Timing Gears

The pump rotors are driven gently at less vibration and extended of pump efficiency and seal lifetime by a high-precision ground helical gear even under high speed and discharge pressure.

SS316L and 0.6 μ mRA standard

All of product contact areas are standardized with SS316L and 0.6 μ m RA below of mirror surface in order to perfectly meet the GMP, EHEDG and 3-A requirements.

Universal Mounting

To allow high flexibility when fitting the pump into a production line, pumps can be mounted with top/bottom shaft drive, vertical/horizontal in-outlet and feet upward.



JRZP SERIES

ZP SERIES

- ZP series are hydraulically and dimensionally same as U2 series and so, drop-in to replace U2 series are out of questions.
- Compact seal design realizes short overhung length than other major CP pumps. It is a key feature which makes gentle operation even at high discharge pressure.
- Stainless steel bearing oil seal cover for corrosion resistance ensures longer life under harsh cleaning condition.
- A variety of seal options such as mechanical seal, lip seal. O-ring seal allow the pump to be easily adapted to changing conditions of service.
- 2 shaft keys on rotors provide gentle operation at high discharge pressure or external vibration.
- Oil bath type lubrication provides more efficient lubrication than grease type.
- A variety of connection options are available such as SMS, RJT, DIN, ISO, Tri-Clamp and Flanges.
- Front cover jacket and casing jacket are available for products that require temperature control.
- Wetted parts are made of SS316L

Model	Litres(gal)/ rev	Max Pressure bar/psi	Port mm	Max Speed rpm
ZP 015	0.063(0.17)	15(214)	38	800
ZP 030	0.26(0.069)	10(143)	50	700
ZP 060	0.74(0.195)	15(214)	63	600
ZP 130	1.18(0.312)	08(114)	76	600
ZP 220	2.04(0.539)	12(175)	100	500
ZP 320	3.07(0.811)	8(116)	150	500



JEC CENTRIFUGAL PUMPS

The JEC centrifugal pumps are ideal for hygienic application in a field of dairies, food, beverage, pharmaceutical and other industries where acid-proof steel is resistant to the liquids to be pumped. In all aspects of design, construction and performance, JEC centrifugal pumps are more durable, efficient and economical than other centrifugal pumps.

HIGH PRIDE
HIGHER PERFORMANCE
THE HIGHEST QUALITY



Hygienic Seal

Through upgraded balance type Front Loading Seal system, JEC pumps provide maximizing efficiency and cleanability under pressure. And JEC pumps have been tested in accordance with EHEDG requirements and many are authorized to carry the 3-A symbol.

Fast, Easy Maintenance.

With JEC centrifugal pumps' unique stub shaft construction, you can keep the pump head in line when setting the impeller or changing seals. Compact and upgraded external balanced seal design makes easy convert from single to double mechanical seal.

High Class Centrifugal Pumps

JEC is the only pump manufacturer in the world who makes every parts by precision investment casting. Beautiful appearance, robust durability, standardized parts are achieved through our leading manufacturing.

Hygienic Material

Wetted parts are made of SS 316L stainless steel for corrosion resistance. $0.8\mu\text{m Ra}$ surface finish provides upgraded hygienic. (Optional : $0.4\mu\text{m Ra}$)

Perfect CIP & SIP

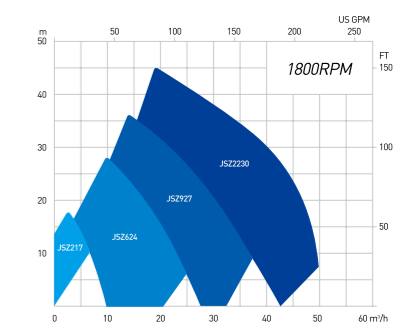
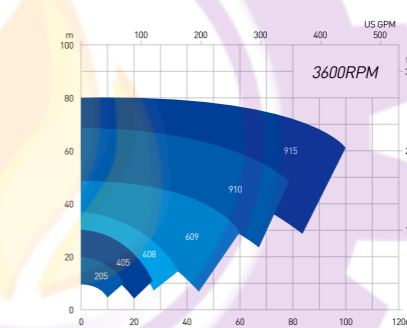
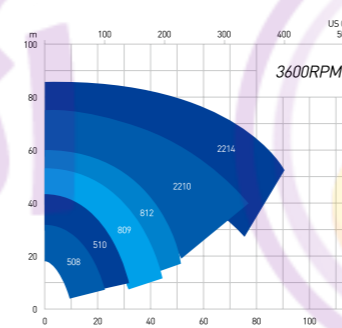
With compact seal, ideal casing design and polished surface, JEC centrifugal pumps provide a perfect CIP & SIP.

JEC CENTRIFUGAL PUMPS

PROVIDES YOU THE BEST CLEANABILITY, EFFICIENCY AND EASY MAINTENANCE.

JCP SERIES

- JCP series offer a number of features that maximize cleanability, and it is proved of EHEDG and 3-A authorization.
- Precision investment casted casing and compact seal system extend seal life, which minimizes system down time.
- External balanced Front Loading Seal extends seal life and easy maintenance.



JWP SERIES

- JEC JWP series (Water For Injection) are ideal for high purity, pyrogen-free fluid for pharmaceutical process and deionized water which are requiring to meet GMP and FDA standards.
- All parts in contact with the liquid are made of SS 316L stainless steel for corrosion resistance.
- All internal surfaces are finished to 0.4 μ m Ra and additional electro-polish is available.
- Ensures totally cleanable and self-draining for CIP and SIP so as to meet EHEDG and 3-A standard.

JP SERIES

- JP series have been the corner stone of the JEC history with it's versatile heavy-duty.
- JP series have been designed to eliminate common-field problems with vibration, short bearing life, high NPSH requirements, high seal maintenance costs and poor tolerance.
- Streamlined in-outlet volute channel minimize noise level, maximize efficiency and provide 360° free way setting of outlet.

JSZ SERIES

- JSZ series are a self-priming side channel pump particularly suitable for pumping products which contain varying quantities of air and gases which cannot be pumped by a centrifugal pump for CIP return application.
- JSZ series are suitable as booster pump in mixing system by improving suction capability.

JEC CENTRIFUGAL PUMPS

HIGH PRIDE
HIGHER PERFORMANCE
THE HIGHEST QUALITY

The JEC centrifugal pumps are ideal for hygienic application in a field of dairies, food, industries where acid-proof steel is resistant to the liquids to be pumped. In all aspects of design, construction and performance, JEC centrifugal pumps are durable, efficient and economical than other centrifugal pumps.

beverage, pharmaceutical and other generation ahead of the industry, more



Hygienic Seal

Through upgraded balance type Front Loading Seal system, JEC pumps provide maximizing efficiency and cleanability under pressure. And JEC pumps have been tested in accordance with EHEDG requirements and many are authorized to carry the 3-A symbol.

Fast, Easy Maintenance.

With JEC centrifugal pumps' Unixe stub shaft construction, you can keep the pump head in line when petting the impeller or changing seals. Compact and upgraded external balanced seal design makes longer seal lifetime.

High Class Centrifugal Pumps

JEC is the only pump manufacturer in the world who makes every parts by precision investment casting. Beautiful appearance, robust durability, standardized parts are achieved through our leading manufacturing.

Hygienic Material

Wetted parts are made of SS 316 stainless steel for corrosion resistance. All parts made by precision investment casting and pressed for front cover.

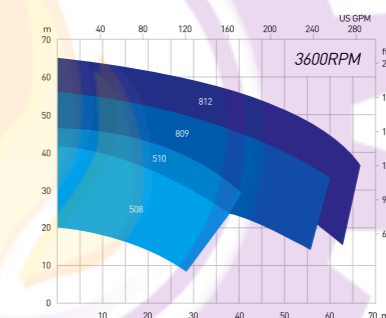
Perfect CIP & SIP

With compact seal, ideal impeller and casing design with fine surface, JEC centrifugal pumps provide a perfect CIP & SIP.



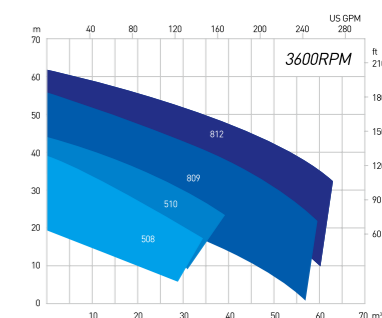
JEC CENTRIFUGAL PUMPS

PROVIDES YOU THE BEST CLEANABILITY, EFFICIENCY AND EASY MAINTENANCE.



JEP SERIES

- JEP series have been designed to eliminate problems with vibration, short bearing life, high NPSH requirements, high seal maintenance costs and poor tolerance to adverse operating conditions.
- Streamlined in-outlet volute channel minimize noise level, maximize efficiency by unique designed volute case.
- Consists of same parts of the JCP's impeller, seal and shaft already EHEDG & 3A certified design.



JEPS SERIES

- JEPS, self-priming pumps are specialized for air and gas contained products which cannot be pumped by general centrifugal pumps.
- Special designed air screw generates self-priming effect can optimize pump operation.
- Optimized and customized impeller size.
- Lower noise level and better power consumption.
- Modular designed with JEP series.

JEC MIXING SYSTEM

PROVIDES AN OPTIMAL WORKING EFFICIENCY AND EASY MAINTENANCE.

JSB SERIES

- In a range of products from simple to demanding applications to blend, emulsify, disperse, dissolve and homogenize, JSB series with unique impeller-vane, inducer design enable quick dissolution and hydration of stabilizers, gums, powders, sugars and fluids requiring sensitive shearing.
- Due to configuring impeller-vane design being capable of better suction capability and shearing, JSB series are supremely efficient and rapid in operation and are capable of reducing mixing times when compared to conventional paddles or agitators.
- Fully CIP ability reduces downtime consuming hand cleaning and risks of equipment damage from CIP.
- Shear pump as line mixer is able to be modified easily by removing hopper.

JSB SELECTION GUIDE (Guidance only)

Model	Motor	Water	Powder	Viscosity	Pressure
JSB508	5.5kW	~ 5000L	~ 500kgs	~ 100cps	less 1bar
	7.5kW	~ 5000L	~ 500kgs	over 500-1000cps	
JSB809	15kW	5000L-10000L	1000kgs	~ 100cps	
	18.5kW	5000L-10000L	1000kgs	over 500-1000cps	
JSB2210	25kW	15000L	2000kgs	~ 100cps	

* Based on 1hr batch time and 3600rpm (60Hz)

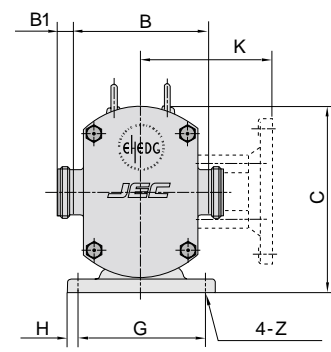
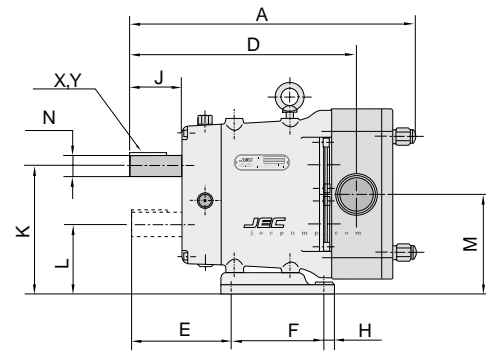




The reliable choice for your process

JEC - Always a Step Ahead

JRZL SERIES ROTARY LOBE PUMPS

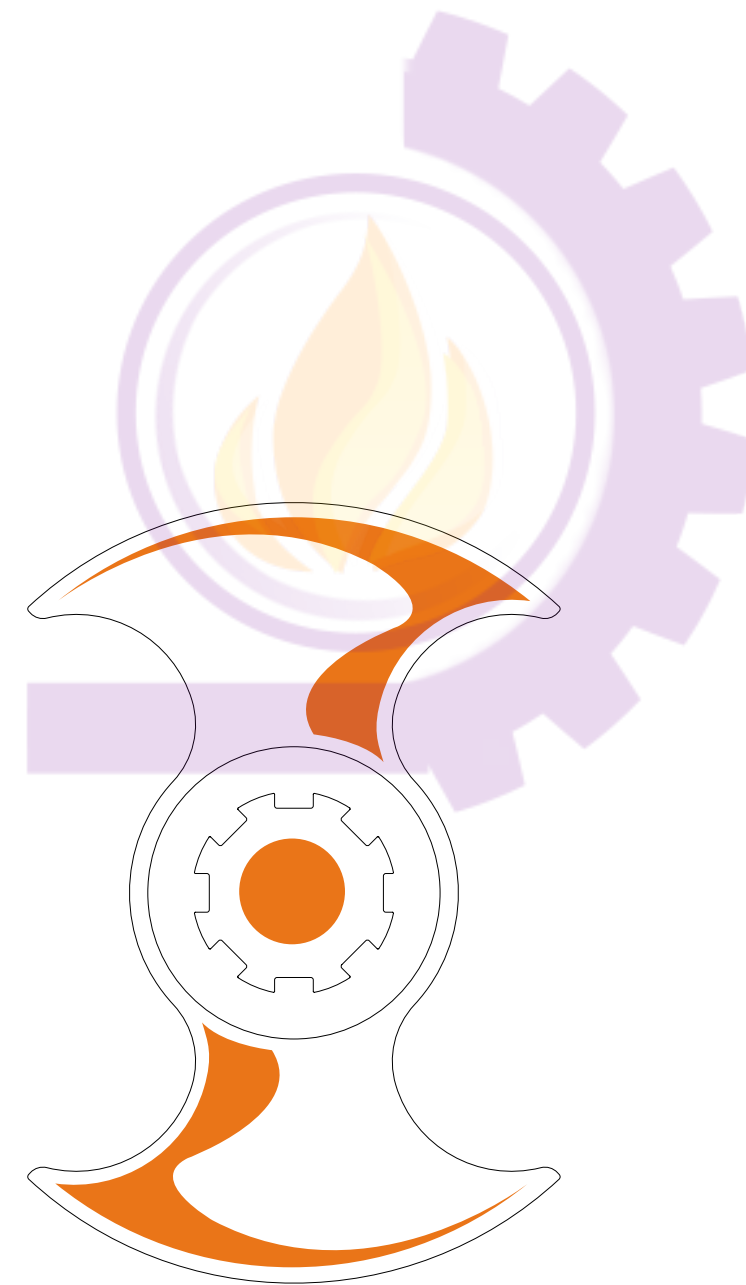


Model No	ports	Dimensions															
		A	B	C	D	E	F	G	H	J	K	L	M	N	X	Y	Z
JRZL110-005-20	1"	255	152	200	218	96	84	134	12	50	141	77	109	23	30	8	9
JRZL115-012-12	1"	264	152	222	218	96	84	134	12	50	141	77	109	23	30	8	9
JRZL120-021-08	2"	284	152	230	218	96	84	134	12	50	141	77	109	23	30	8	9
JRZL220-040-12	2"	386	188	264.5	305	129	132	180	15	60	185	101	143	32	50	10	11
JRZL225-062-08	2"	406	188	264.5	315	129	132	180	15	60	185	101	143	32	50	10	11
JRZL330-102-12	3"	533	242	347.5	390	159	160	242	22	70	243.5	128.5	186	45	60	14	13
JRZL340-144-08	4"	546	242	347.5	402	159	160	242	22	70	243.5	128.5	186	45	60	14	13
JRZL440-227-12	4"	674	324	458	506	199	210	320	30	80	324	170	247	55	87	14	15
JRZL450-334-08	5"	709	324	458	523	199	210	320	30	80	324	170	247	55	87	14	15

Model No	ports	Dimensions B1					Weight KG	Volume CBM
		ISO	BS	DIN	SMS	FLANGE		
JRZL110-005-20	1"	20	26	30	20	30	12	0.01
JRZL115-012-12	1"	20	26	30	20	30	19	0.01
JRZL120-021-08	2"	22	26	30	20	30	23	0.01
JRZL220-040-12	2"	26	26	35	24	35	45	0.03
JRZL225-062-08	2"	26	26	35	24	35	51	0.03
JRZL330-102-12	3"	28	26	40	24	40	91	0.06
JRZL340-144-08	4"	28	26	40	24	40	103	0.06
JRZL440-227-12	4"	28	26	40	24	40	180	0.15
JRZL450-334-08	5"	28	26	54	35	54	210	0.15



408, Cheongyo-ri, Bibong-myun, Hwaseong-si, Gyeonggi-do, Korea
Tel:+82-31-355-0316, Fax:+82-31-355-0319, www.jecpump.com, E-mail:jecp@jecpump.com



High Pride
Higher Performance
Highest Quality



JEC Ltd. specialise in the field of sanitary pumps.

JEC was established in 1990 and started producing sanitary pumps utilising precision cast and pressed parts for the first time in Korea. Since then JEC has been successfully supplying to the process industries centrifugal, rotary and self-priming pumps, as well as blenders. JEC pumps are now renowned for reliability both for general duties and special applications. JEC's success is built upon high quality manufacture and customer satisfaction. Our policy is one of long term vendor partnerships.

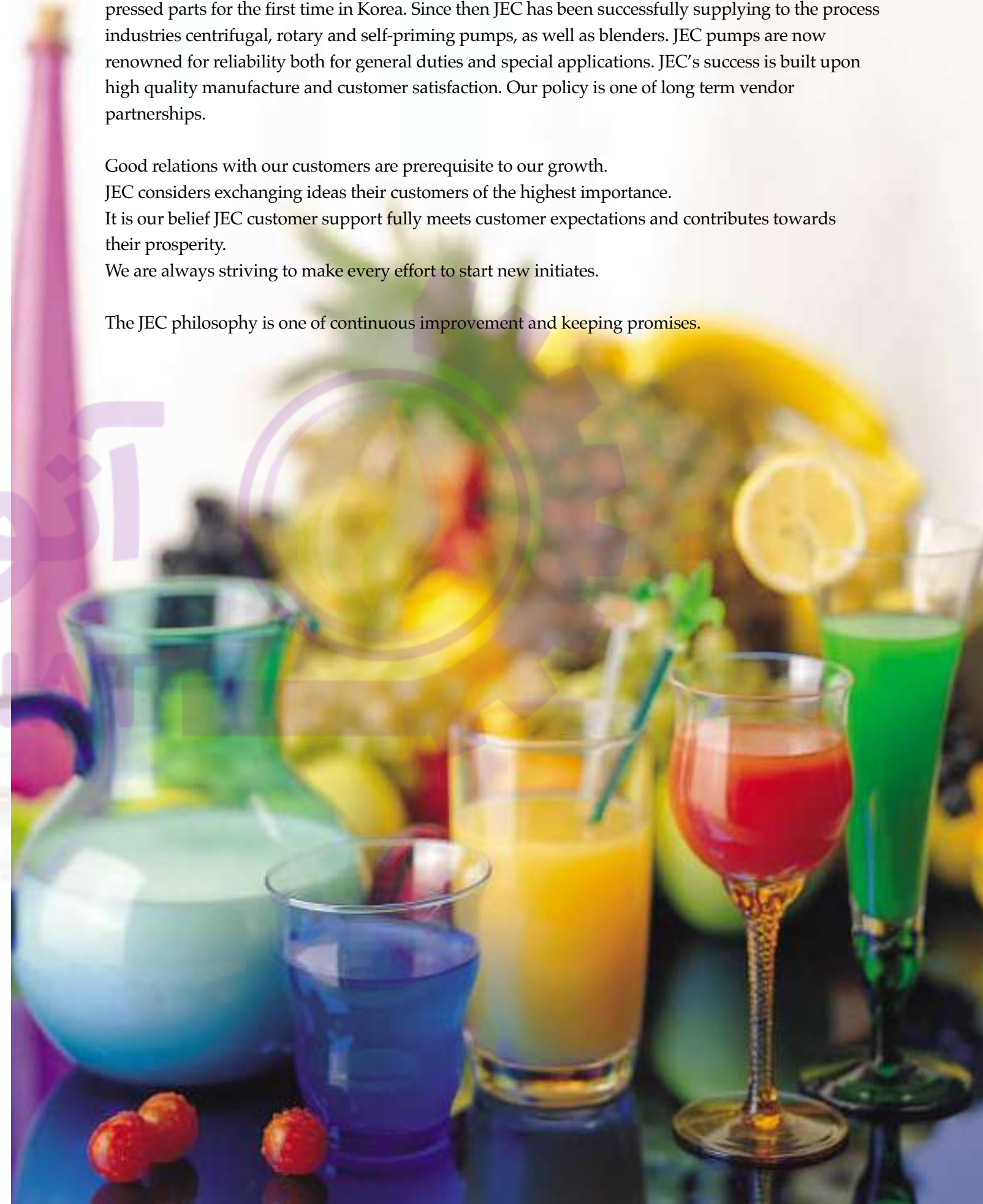
Good relations with our customers are prerequisite to our growth.

JEC considers exchanging ideas their customers of the highest importance.

It is our belief JEC customer support fully meets customer expectations and contributes towards their prosperity.

We are always striving to make every effort to start new initiatives.

The JEC philosophy is one of continuous improvement and keeping promises.



Our pride is created by high quality!

Every feature on the ZL range has been specifically designed to make dismantling (whether for inspection, cleaning, or maintenance) quicker, easier and cheaper. What's more, the forward-seal position places the seals in direct contact with CIP fluids. Superior seal cleanliness lengthens seal life and minimizes seal flaking (product contamination). And because the seals are located directly behind the rotors, areas of product entrapment are eliminated for superior hygienic performance. In fact, the ZL has the EHEDG (European Hygienic Equipment Design Group) certificate for cleanliness from the TNO laboratory in the Netherlands.



آتور صنعت
ATOORSANAT



JRZL series Rotary Lobe Pumps

JEC - Always a Step Ahead

The revolutionary, EHEDG (European Hygienic Equipment Design Group) certified, JEC pump, manufactured in 316 stainless steel, the pump sets the standard for uptime reliability and CIP performance.

Unique front-loading product seal positioning gives faster maintenance, easier cleaning, and less downtime. By removing only the front cover, both rotors and product seals can be fully accessed from the front of the pump without disconnecting the process line.

Alternatively, a simple O-ring or PTFE lip-seal can be supplied offering easy to change, low-cost options. All seal options listed fit into the same rotor case giving cost-effective changeability, even after the pump has been installed.

Many applications require the pump head to be heated or cooled to assist in pumping the product, this is simple with the JEC JRZL series pump which can be fitted with rotor case thermal jackets or a front cover thermal jacket as required.

To handle abrasive products, pump product contact interanls can also be hardened.

A high grade 0.8 micron Ra surface finish of the 316 type stainless steel pump head components is provided as standard. The 0.4 micron Ra finish can be provided optionally.

There are truck pumps designed specially for road tanker use.

STANDARD DESIGN

JEC JRZL series pumps have four kinds of gear boxes with two kinds of rotor housings and will have lobe rotor.

JEC JRZL series pumps are normally fitted with horizontal ports but simply are fitted with vertical ports.

A single seal can be easily modified to a double type with a minimum of additional parts required due to its unique modular design.

Complete connections according to optional standard ISO male, ISO clamp, SMS, DIN, BS and flange.

APPLICATION

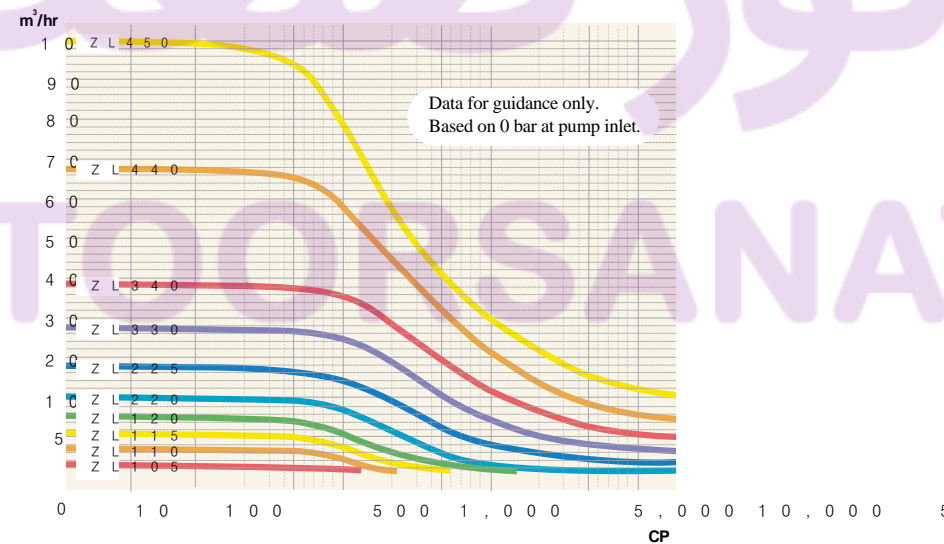
JEC JRZL series pumps have been designed to suit all hygienic pumping applications found in the food, dairy, beverage, pharmaceutical and other places where stainless steel is resistant to the liquids to be pumped.

Both thin and viscous liquids up to 1,000,000 centipoise can be handled with a self-priming capability up to 4m, capacity range up to 100m³/hr and head up to 250m.

SPECIFICATIONS

ZL Series	Model No	Displacement			Standard Connection Size		Max Differential Pressure		Max Speed Rev/min
		Liters/rev	Int Gal/100rev	US Gal/100rev	mm	Inches	BAR	PSI	
100	ZL110-005-20	0.05	1.10	1.32	25	1	20	300	1000
	ZL115-012-12	0.12	2.64	3.17	40	1.5	12	175	800
	ZL120-021-08	0.21	4.61	5.54	50	2	8	115	800
200	ZL220-040-12	0.41	9.01	10.81	50	2	12	175	700
	ZL225-062-08	0.62	13.63	16.35	65	2.5	8	115	700
300	ZL330-102-12	1.02	22.42	26.90	80	3	12	175	600
	ZL340-144-08	1.44	31.65	37.98	100	4	8	115	600
400	ZL440-227-12	2.27	49.90	59.88	100	4	12	175	500
	ZL450-334-08	3.34	73.42	88.10	150	5	8	115	500

PERFORMANCE CURVES

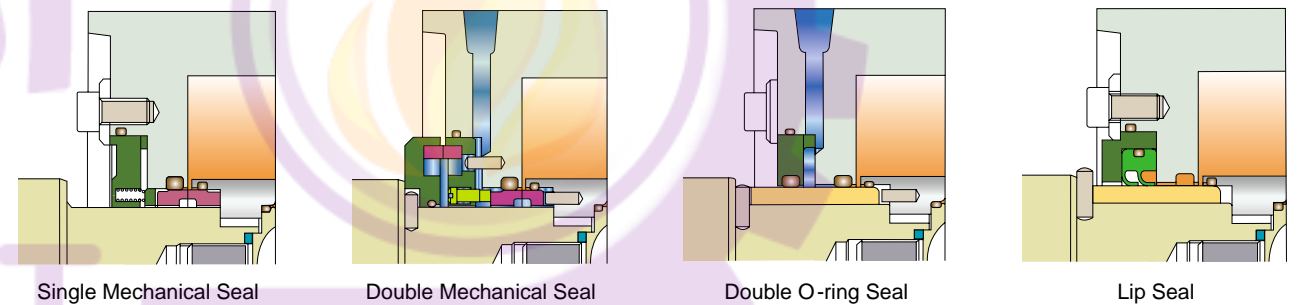


The designed bi-wing rotor geometry is maintained throughout the JRZL range of pumps giving high performance and key benefit of interchangeability with single, tri and multi lobe.

The higher *the precision*
the longer *the span of product life*



SEAL OPTIONS



Our pride is created by high quality!

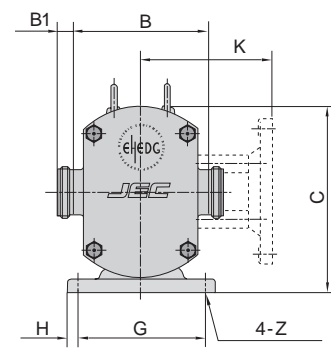
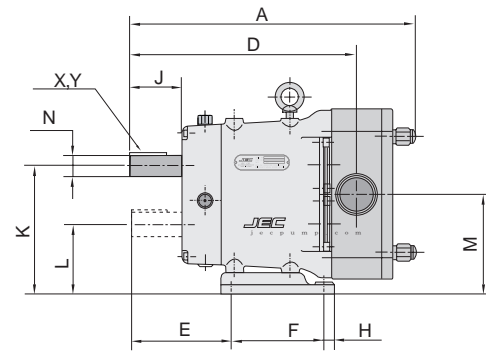
JEC Sanitary Pumps



"The reliable choice for your process"

JEC - Always a Step Ahead

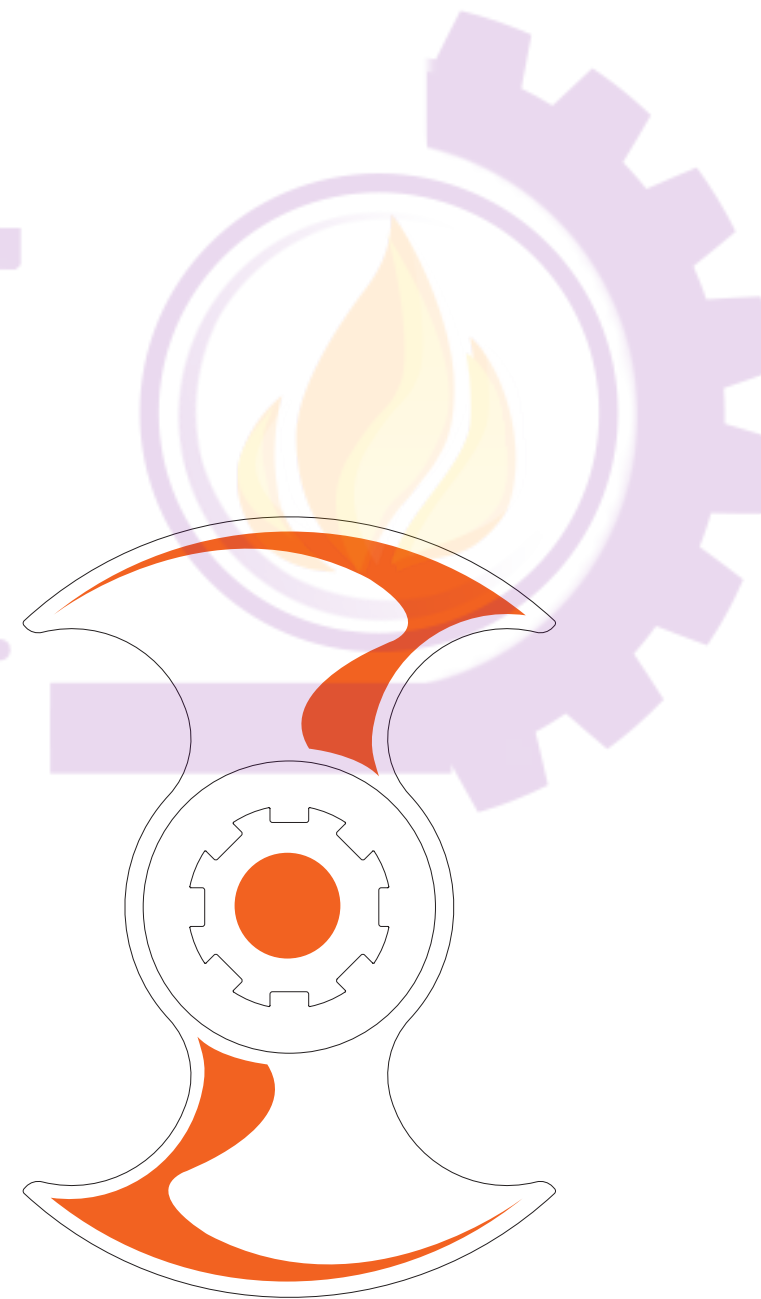
ROTARY POSITIVE DISPLACEMENT PUMPS JRZL SERIES



Model No	ports	Dimension															
		A	B	C	D	E	F	G	H	J	K	L	M	N	X	Y	Z
JRZL110-005-20	1"	255	152	200	218	96	84	134	12	50	141	77	109	23	30	8	9
JRZL115-012-12	1 1/2"	264	152	222	218	96	84	134	12	50	141	77	109	23	30	8	9
JRZL120-021-08	2"	284	152	230	218	96	84	134	12	50	141	77	109	23	30	8	9
JRZL220-034-12	2"	386	188	264.5	305	129	132	180	15	60	185	101	143	32	50	10	11
JRZL225-052-08	2 1/2"	406	188	264.5	315	129	132	180	15	60	185	101	143	32	50	10	11
JRZL330-102-12	3"	533	242	347.5	390	159	160	242	22	70	243.5	128.5	186	45	60	14	13
JRZL340-144-08	4"	546	242	347.5	402	159	160	242	22	70	243.5	128.5	186	45	60	14	13
JRZL440-227-12	4"	674	324	458	506	199	210	320	30	80	324	170	247	55	87	14	15
JRZL450-334-08	5"	709	324	458	523	199	210	320	30	80	324	170	247	55	87	14	15



Model No	ports	Dimension B1					Weight KG	Volume CBM
		ISO	BS	DIN	SMS	FLANGE		
JRZL110-005-20	1"	20	26	30	20	30	12	0.01
JRZL115-012-12	1 1/2"	20	26	30	20	30	19	0.01
JRZL120-021-08	2"	22	26	30	20	30	23	0.01
JRZL220-034-12	2"	26	26	35	24	35	45	0.03
JRZL225-052-08	2 1/2"	26	26	35	24	35	51	0.03
JRZL330-102-12	3"	28	26	40	24	40	91	0.06
JRZL340-144-08	4"	28	26	40	24	40	103	0.06
JRZL440-227-12	4"	28	26	40	24	40	180	0.15
JRZL450-334-08	5"	28	26	54	35	54	210	0.15



High Pride
Higher Performance
The Highest Quality Products



JEC Ltd. is the specialist in the fields of sanitary pumps.

JEC was established in 1990 and started producing the sanitary pumps that were made by precision casting and press for the first time in Korea. Since then, JEC has successfully produced and marketed the processing plants such as rotary pumps, self-priming pumps, and blenders as well as centrifugal pumps. Now we are enjoying a good reputation for specially applied fields as well as general installation demands. JEC's success as good as highest quality manufacturer in the fields of sanitary pumps in the past is attributed to artisanship and customer's belief.

We build up not deals but relationships.

A good relation with customer is prerequisite to our growth.

JEC considers exchanging beliefs with you more important than everything else.

Under JEC's customer's support, we believe that we will meet your full needs, fulfill your expectations, and contribute to customer's further prosperity.

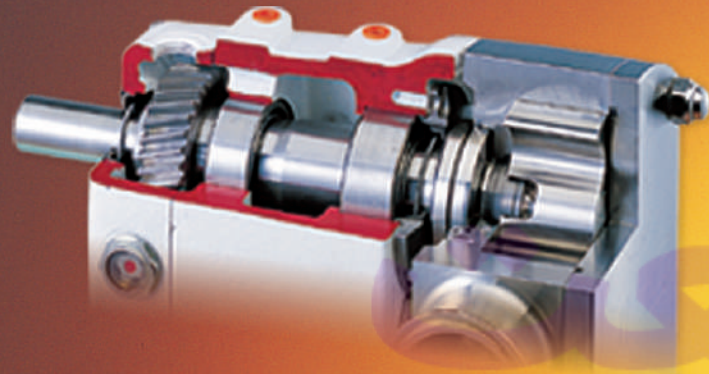
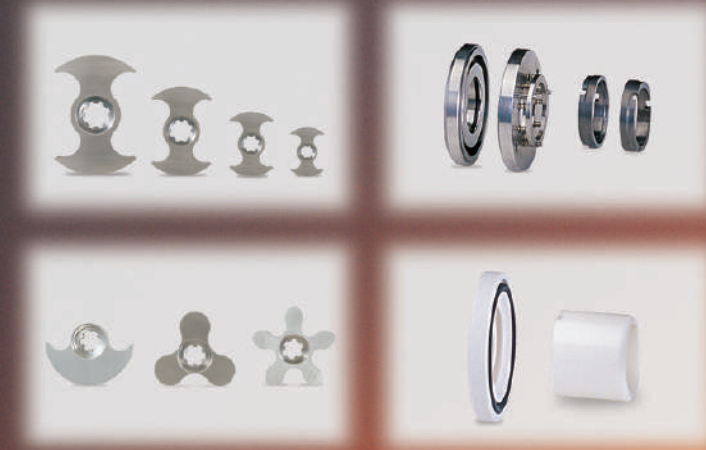
We would like to continue to make every effort so that another progress will be started at JEC.

The JEC philosophy is keeping promises.



Our pride is created by high quality!

Every feature on the ZL range has been specifically designed to make dismantling (whether for inspection, cleaning, or maintenance) quicker, easier, and cheaper. What's more, the forward-seal position places the seals in direct contact with CIP fluids. Superior seal cleanliness lengthens seal life and minimizes seal flaking (product contamination). And because the seals are located directly behind the rotors, areas of product entrapment are eliminated for superior hygienic performance. In fact, the ZL has the EHEDG (European Hygienic Equipment Design Group) certificate for cleanliness from the TNO laboratory in the Netherlands.



آتور صنعت
ATOORSANAT



JRZL series Rotary Pumps

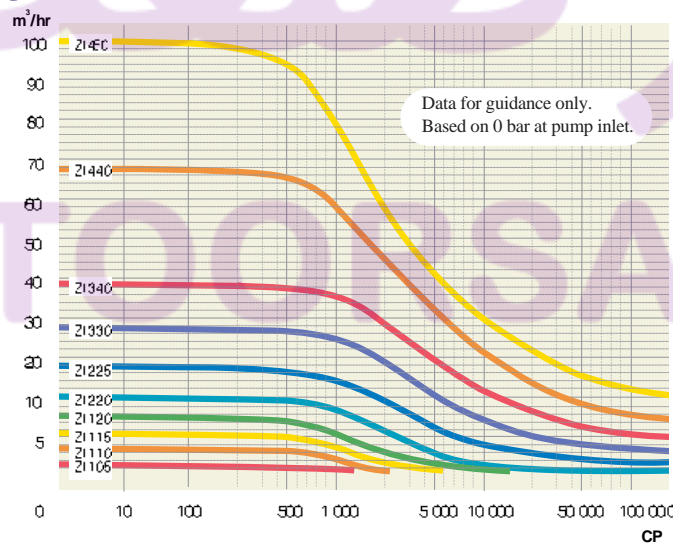
JEC - Always a Step Ahead

- The revolutionary, EHEDG (European Hygienic Equipment Design Group) certified, JEC pump, manufactured in 316 stainless steel, the pump sets the standard for uptime reliability and CIP performance.
- Unique front-loading product seal positioning gives faster maintenance, easier cleaning, and less downtime. By removing only the front cover, both rotors and product seals can be fully accessed from the front of the pump without disconnecting the process line.
- Alternatively, a simple O-ring or PTFE Lip-seal can be supplied offering easy to change, low-cost options. All seal options listed fit into the same rotor case giving cost-effective changeability, even after the pump has been installed.
- Many applications require the pump head to be heated or cooled to assist in pumping the product, this is simple with the JEC JRZL series pump which can be fitted with rotor case thermal jackets or a front cover thermal jacket as required.
- To handle abrasive products, pump product contact interanls can also be hardened.
- A high grade 0.8 micron Ra surface finish of the 316 type stainless steel pump head components is provided as standard. The 0.4 micron Ra finish can be provided optionally.
- There are truck pumps designed specially for road tanker use.

STANDARD DESIGN

- JEC JRZL series pumps are have four kinds of gear boxes with two kinds of rotor housings and will have lobe rotor.
- JEC JRZL series pumps are normally fitted with horizontal ports but simply are fitted with vertical ports.
- A single seal can be easily modified to a double type with a minimum of additional parts required due to its unique modular design.
- Complete connections according to optional standard ISO male, ISO clamp, SMS, DIN, BS and flange.

PERFORMANCE CURVE



APPLICATION

- JEC JRZL series pumps have been designed to suit all hygienic pumping applications found in the food, dairy, beverage, pharmaceutical and other places where stainless steel is resistant to the liquids to be pumped.
- Both thin and viscous liquids up to 1,000,000 centipoise can be handled with a self-priming capability up to 4m, capacity range up to 100 m³/h and head up to 250m.

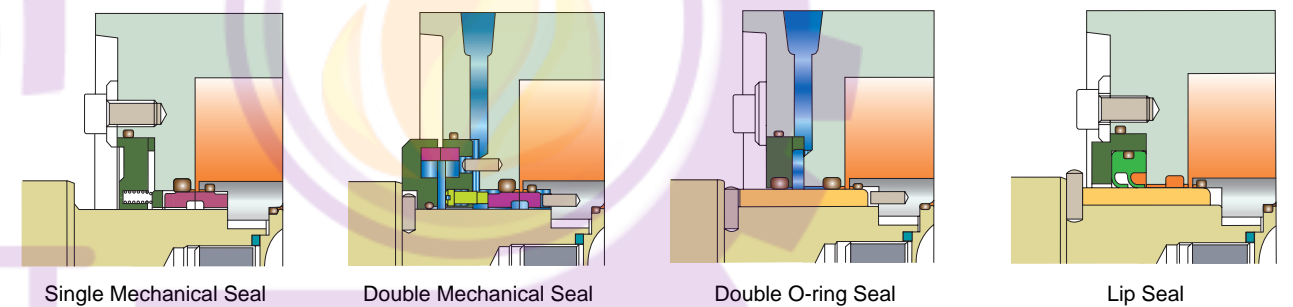
SPECIFICATIONS

ZL Series	Model No.	Displacement			Standard Connection Size		Max. Differential Pressure		Max. Speed Rev/min
		Liters/rev	Int Gal/100rev	US Gal/100rev	mm	Inches	BAR	PSI	
100	ZL110-005-20	0.05	1.10	1.32	25	1	20	300	1000
	ZL115-012-12	0.12	2.64	3.17	40	1.5	12	175	800
	ZL120-021-08	0.21	4.61	5.54	50	2	8	115	800
200	ZL220-040-12	0.41	9.01	10.81	50	2	12	175	700
	ZL225-062-08	0.62	13.63	16.35	65	2.5	8	115	700
300	ZL330-102-12	1.02	22.42	26.90	80	3	12	175	600
	ZL340-144-08	1.44	31.65	37.98	100	4	8	115	600
400	ZL440-227-12	2.27	49.90	59.88	100	4	12	175	500
	ZL450-334-08	3.34	73.42	88.10	150	5	8	115	500

“The higher the precision we have,
the longer the span of product life we have”



SEAL OPTIONS



Our pride is created by high quality!

JEC Sanitary Pumps