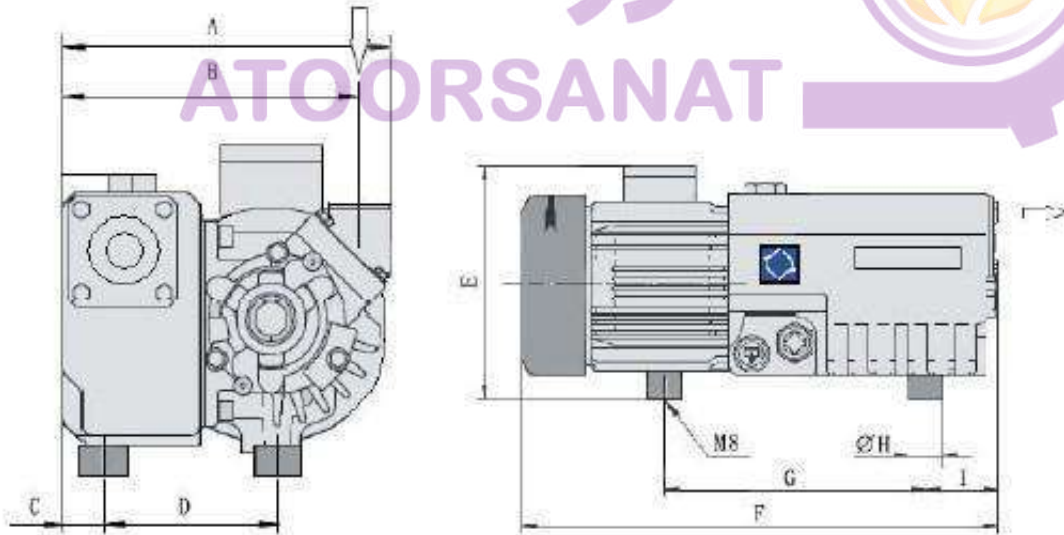


## X-10 Single Stage Rotary Vane Vacuum Pump



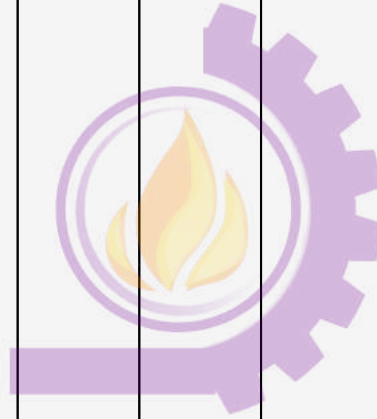
Item	Unit	X-10
Rated Speed	m <sup>3</sup> /h	10
Utmost Pressure	mbar	0.1-0.5
Noice	dB (A)	61
Work temperature	°C	81
Oil consumption	L	0.5
Vapor permitted pressure	mbar	40
Suction rate of vapour	kg/h	0.15
Whorl of inlet	inch	Rp3/4"
Motor rated power	kW	0.37
Motor rated rotating speed	rpm	1440
Total weight	kg	17



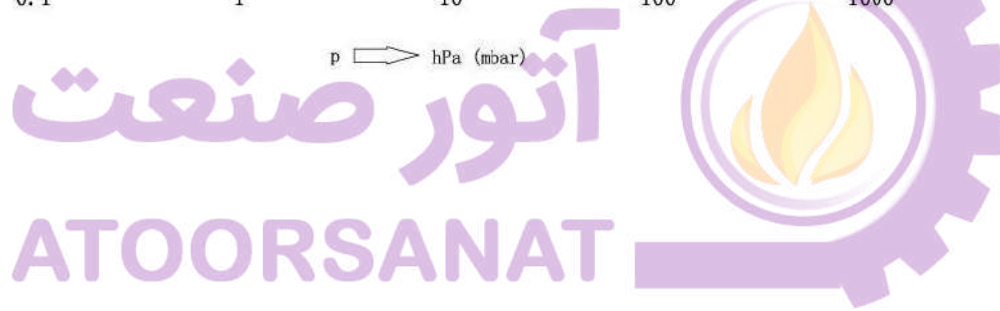
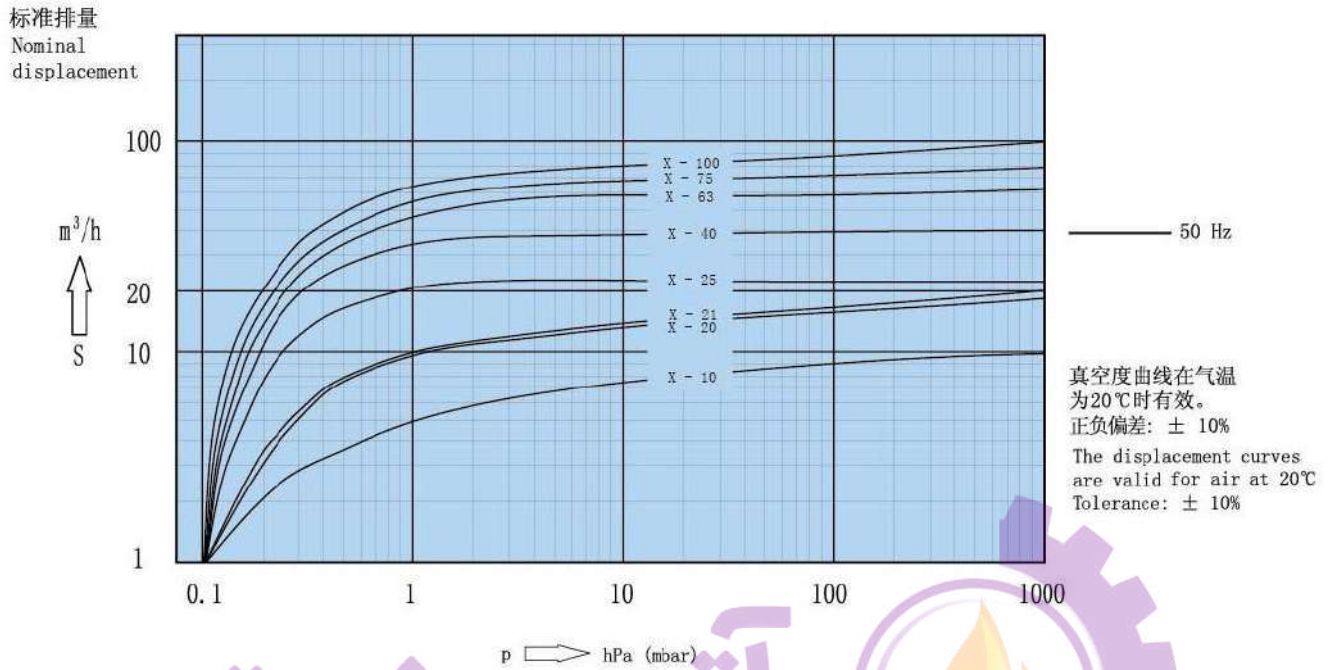
Dimension	A	B	C	D	E	F	G	H	I
X-10	232	213	26	130	220	480	226	30	117
Three Phases									
X-10	232	213	26	130	220	465	210	30	117

Single Phase

آتور صنعت  
ATOORSANAT



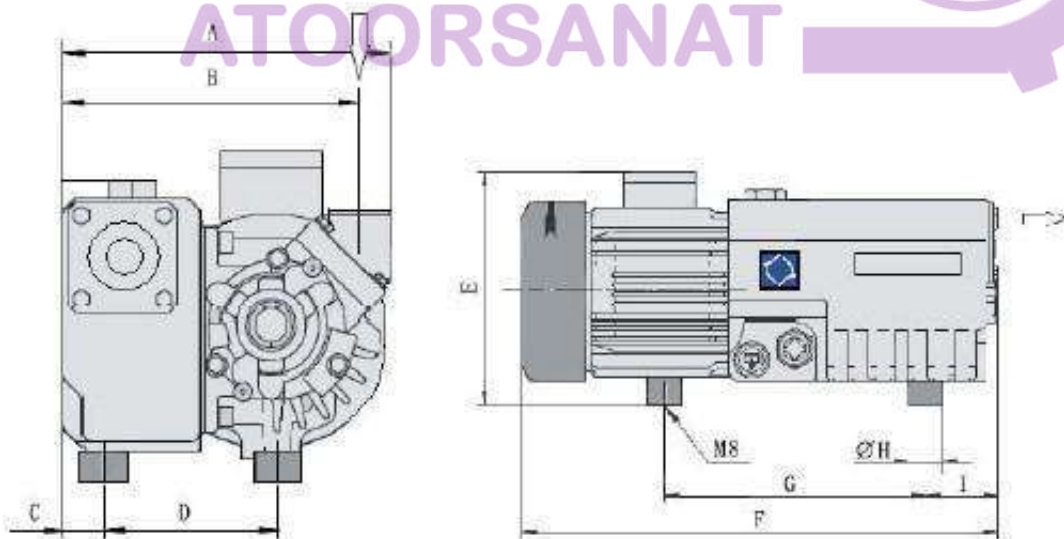
## Vacuum Curve



## X-25 Single Stage Rotary Vane Vacuum Pump

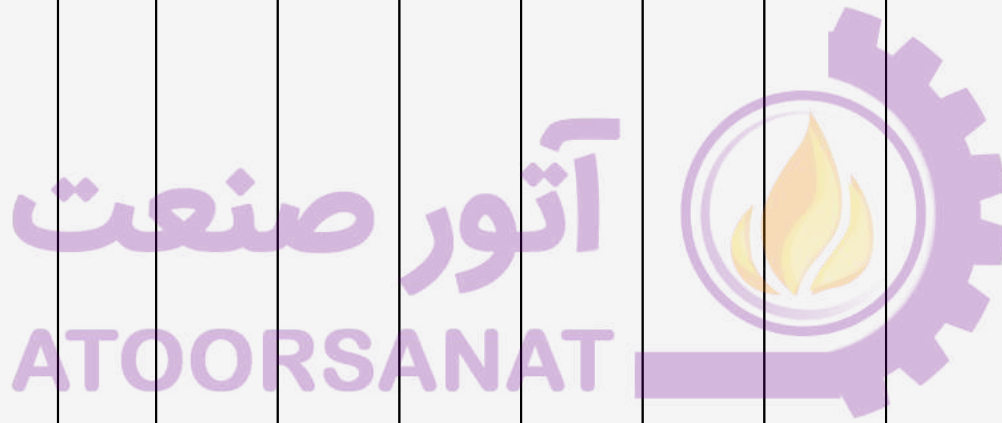


Item	Unit	X-25
Rated Speed	m <sup>3</sup> /h	25
Utmost Pressure	mbar	0.1-0.5
Noice	dB (A)	62
Work temperature	°C	82
Oil consumption	L	0.5
Vapor permitted pressure	mbar	40
Suction rate of vapour	kg/h	0.4
Whorl of inlet	inch	Rp3/4"
Motor rated power	kW	0.9
Motor rated rotating speed	rpm	2880
Total weight	kg	19

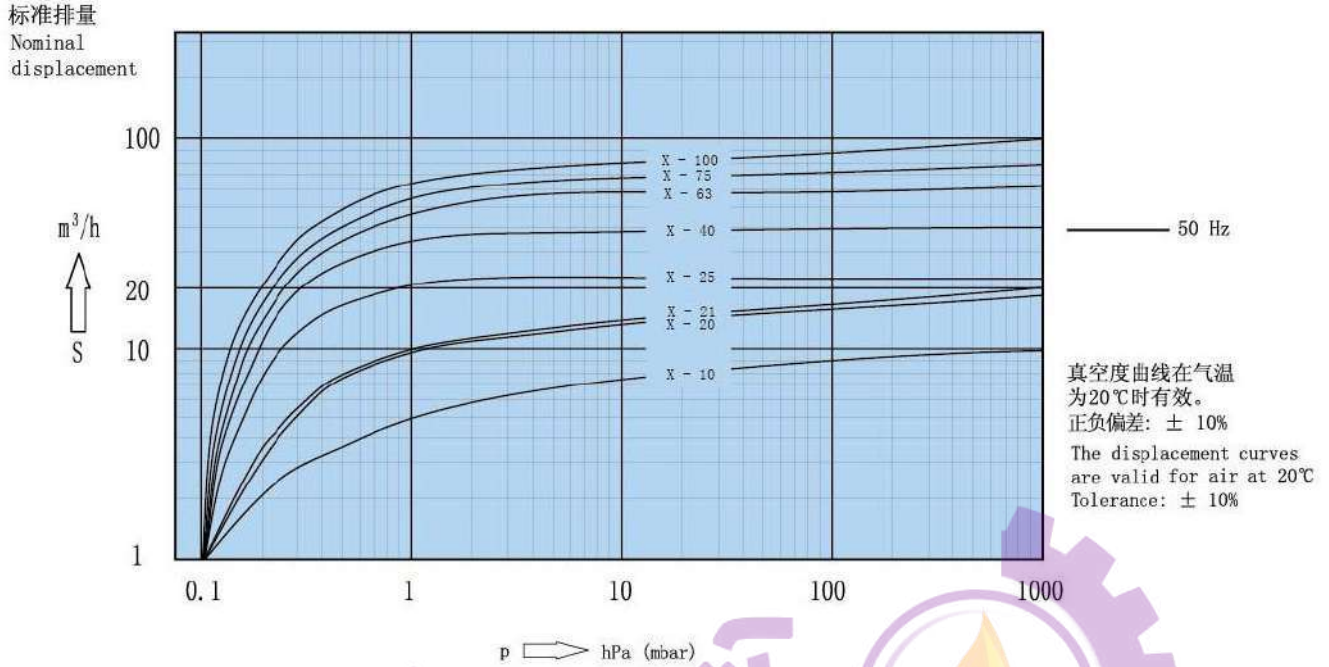


Dimension	A	B	C	D	E	F	G	H	I
X-25	232	213	26	130	220	480	235	30	117
Three Phases									
X-25	232	213	26	130	220	473	224	30	117

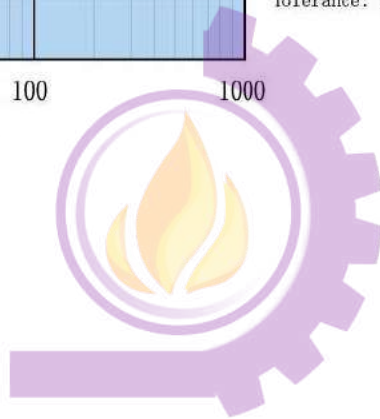
Single Phase



## Vacuum Curve



آتور صنعت  
ATOORSANAT

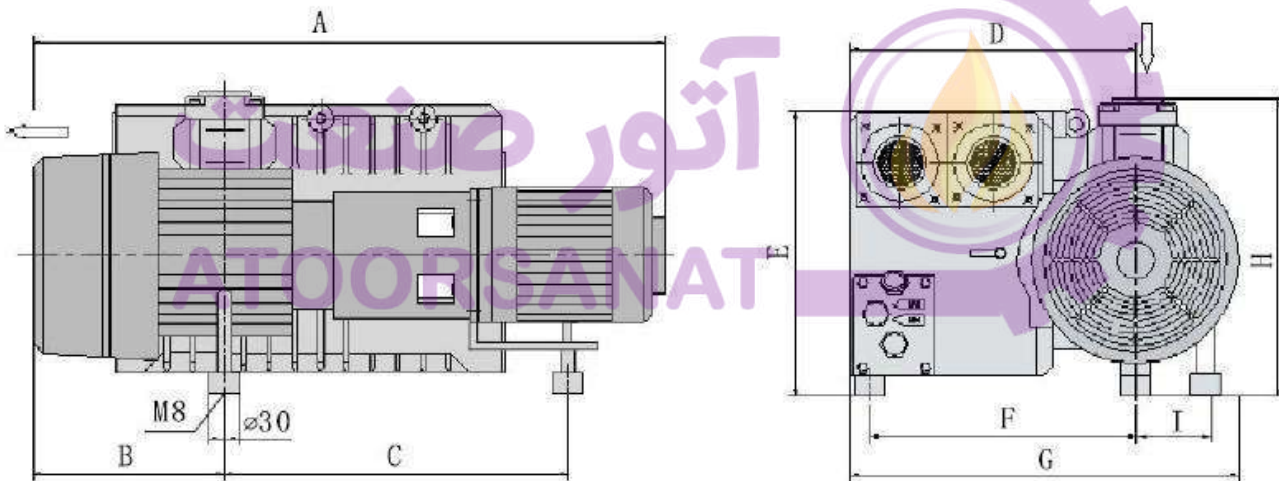




## X-40 Single Stage Rotary Vane Vacuum Pump



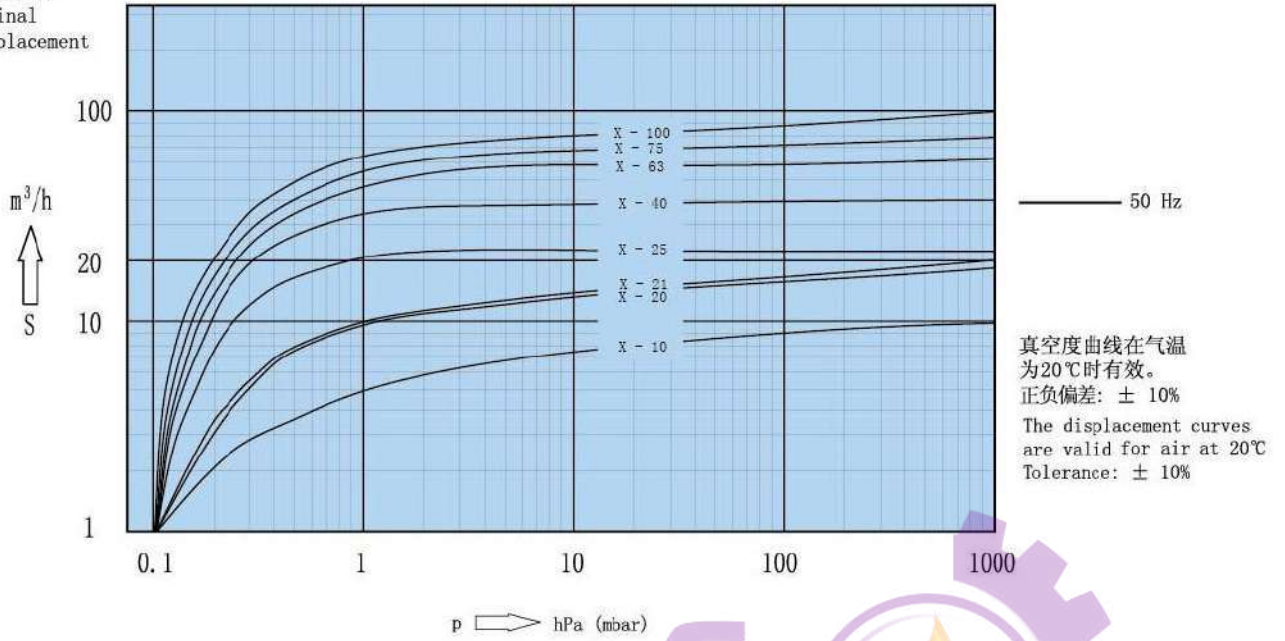
Item	Unit	X-40
Rated Speed	m <sup>3</sup> /h	40
Utmost Pressure	mbar	0.1-0.5
Noice	dB (A)	64
Work temperature	°C	83
Oil consumption	L	1.5
Vapor permitted pressure	mbar	40
Suction rate of vapour	kg/h	0.6
Whorl of inlet	inch	Rp1 1/4"
Whorl of outlet	inch	Rp1 1/4"
Motor rated power	kW	1.1
Motor rated rotating speed	rpm	1440
Total weight	kg	48
Vacuum pump size	cm	65*30*28



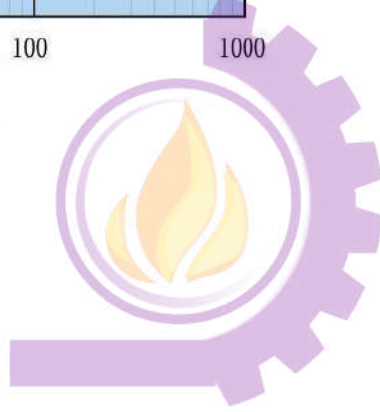
Dimension	A	B	C	D	E	F	G	H	I
X-40	650	150	290	195	270	185	300	280	55

### Vacuum Curve

标准排量  
Nominal  
displacement



آتور صنعت  
ATOORSANAT

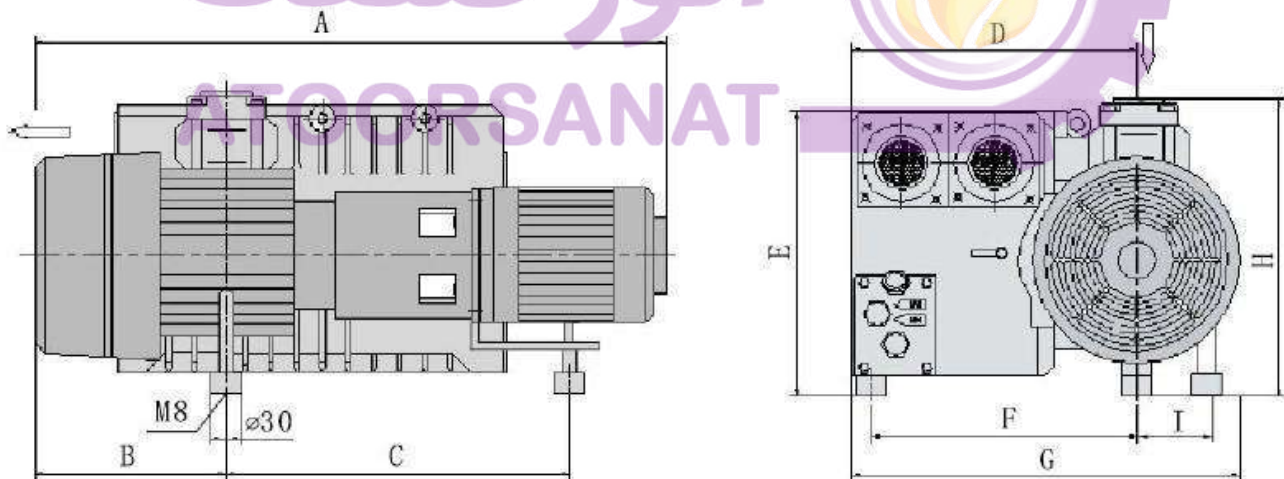




## X-63 Single Stage Rotary Vane Vacuum Pump



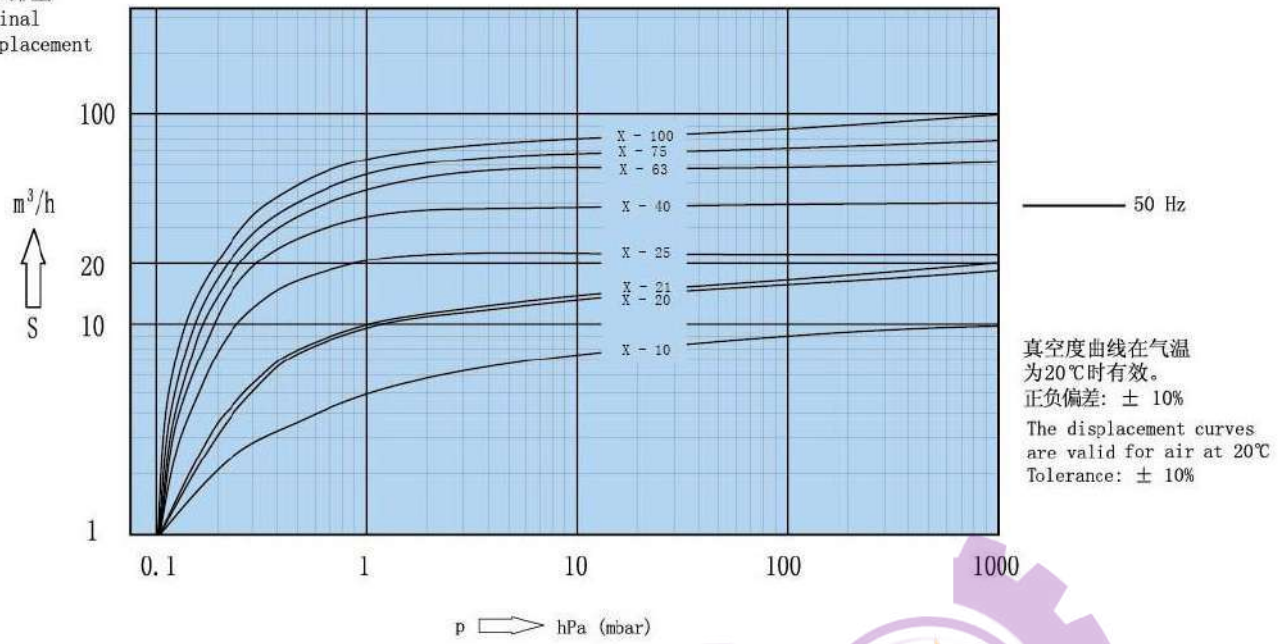
Item	Unit	X-63
Rated Speed	m <sup>3</sup> /h	63
Utmost Pressure	mbar	0.1-0.5
Noice	dB (A)	65
Work temperature	°C	84
Oil consumption	L	2
Vapor permitted pressure	mbar	40
Suction rate of vapour	kg/h	1
Whorl of inlet	inch	Rp1 1/4"
Whorl of outlet	inch	Rp1 1/4"
Motor rated power	kW	1.5
Motor rated rotating speed	rpm	1440
Total weight	kg	58
Vacuum pump size	cm	65*43*29.5



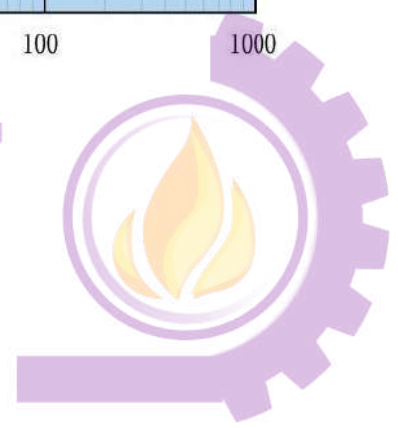
Dimension	A	B	C	D	E	F	G	H	I
X-63	650	150	265	295	285	278	430	295	-

Vacuum Curve

标准排量  
Nominal  
displacement



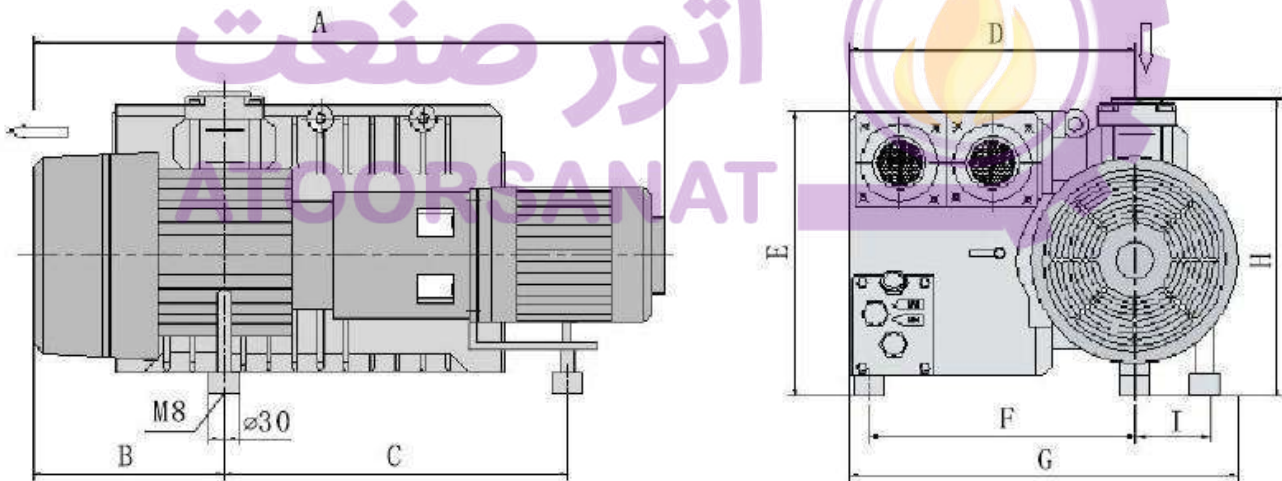
آتور صنعت  
ATOORSANAT



## X-100 Single Stage Rotary Vane Vacuum Pump



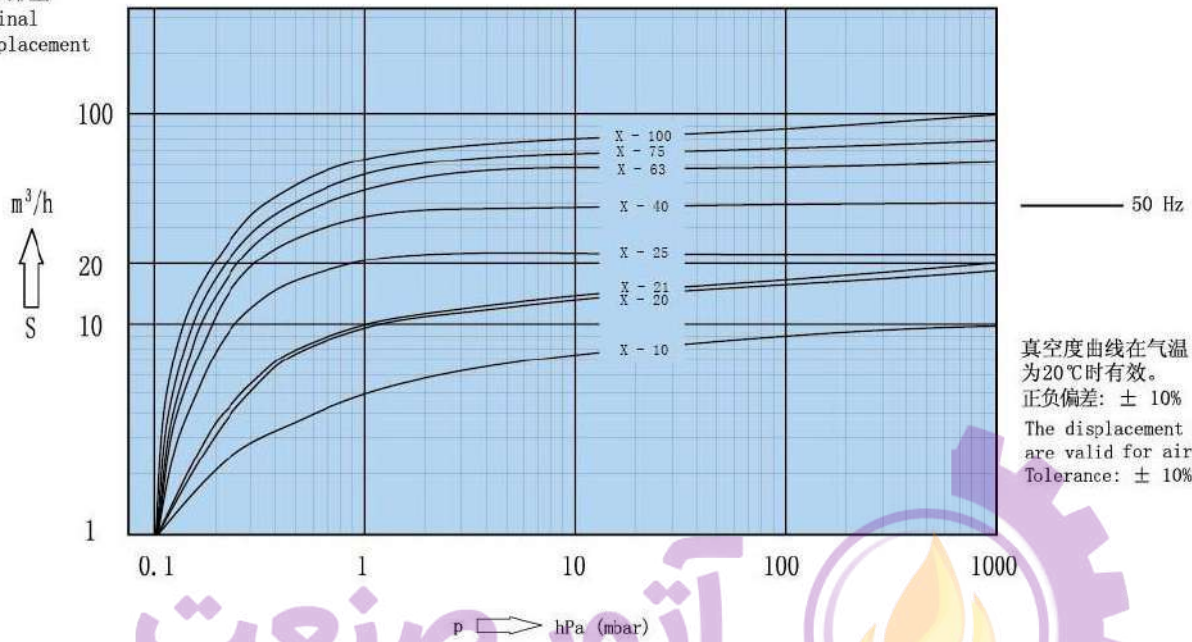
Item	Unit	X-100
Rated Speed	m <sup>3</sup> /h	100
Utmost Pressure	mbar	0.1-0.5
Noice	dB (A)	66
Work temperature	°C	85
Oil consumption	L	2
Vapor permitted pressure	mbar	40
Suction rate of vapour	kg/h	1.6
Whorl of inlet	inch	Rp1 1/4"
Whorl of outlet	inch	Rp1 1/4"
Motor rated power	kW	2.2
Motor rated rotating speed	rpm	1440
Total weight	kg	72
Vacuum pump size	cm	72*43*29.5



Dimension	A	B	C	D	E	F	G	H	I
X-100	720	180	295	295	285	278	430	295	-

### Vacuum Curve

标准排量  
Nominal  
displacement

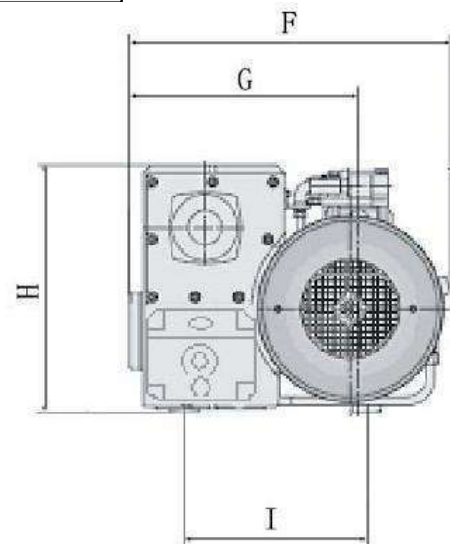
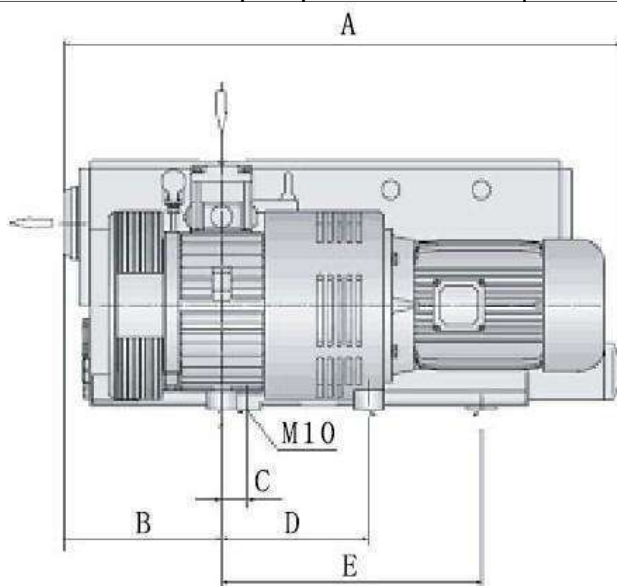


آتور صنعت  
ATOORSANAT

## X-160 Single Stage Rotary Vane Vacuum Pump



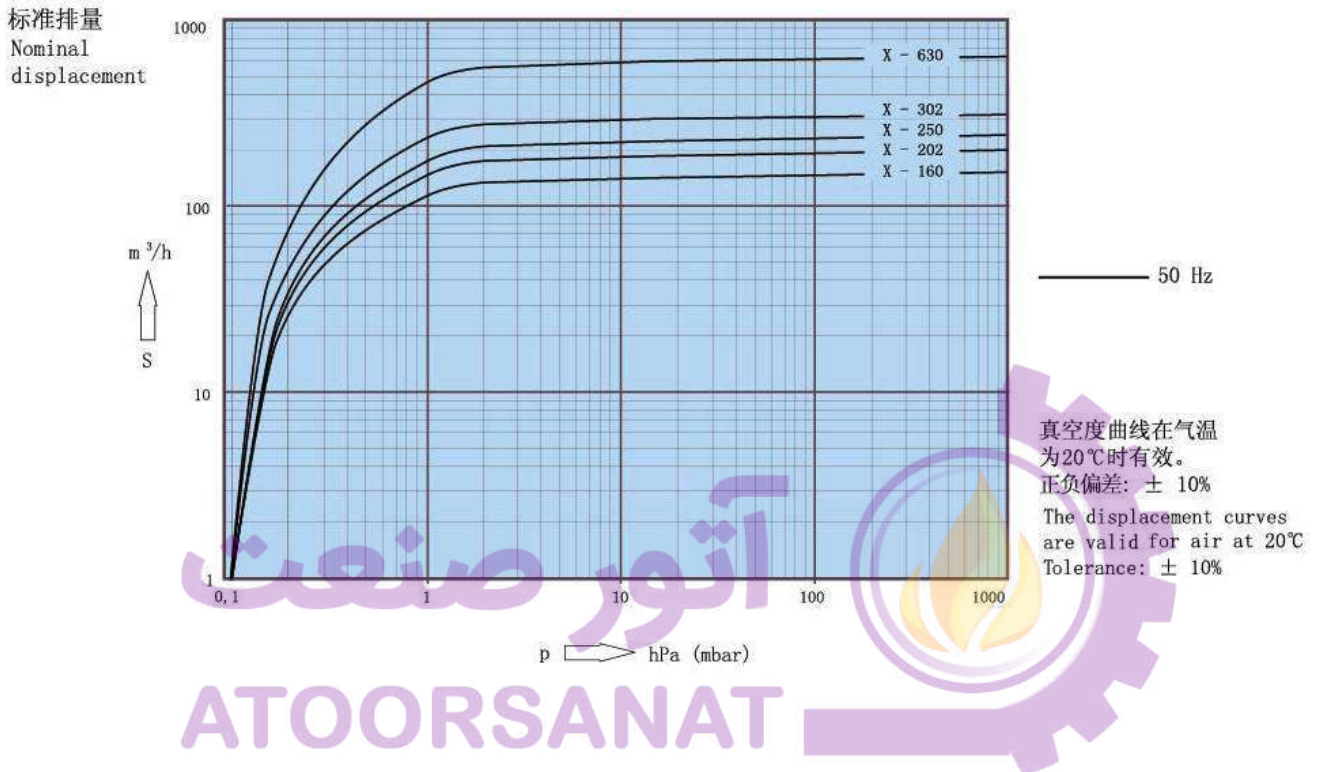
Item	Unit	X-160
Rated Speed	m <sup>3</sup> /h	160
Utmost Pressure	mbar	0.1-0.5
Noice	dB (A)	71
Work temperature	°C	65
Oil consumption	L	5
Vapor permitted pressure	mbar	40
Suction rate of vapour	kg/h	2.5
Whorl of inlet	inch	Rp2"
Whorl of outlet	inch	Rp2"
Motor rated power	kW	4
Motor rated rotating speed	rpm	1440
Total weight	kg	157
Vacuum pump size	cm	85.5*49.5*43.5



Dimension	A	B	C	D	E	F	G	H	I
X-160	855	225	40	240	430	495	345	435	310



## Vacuum Curve

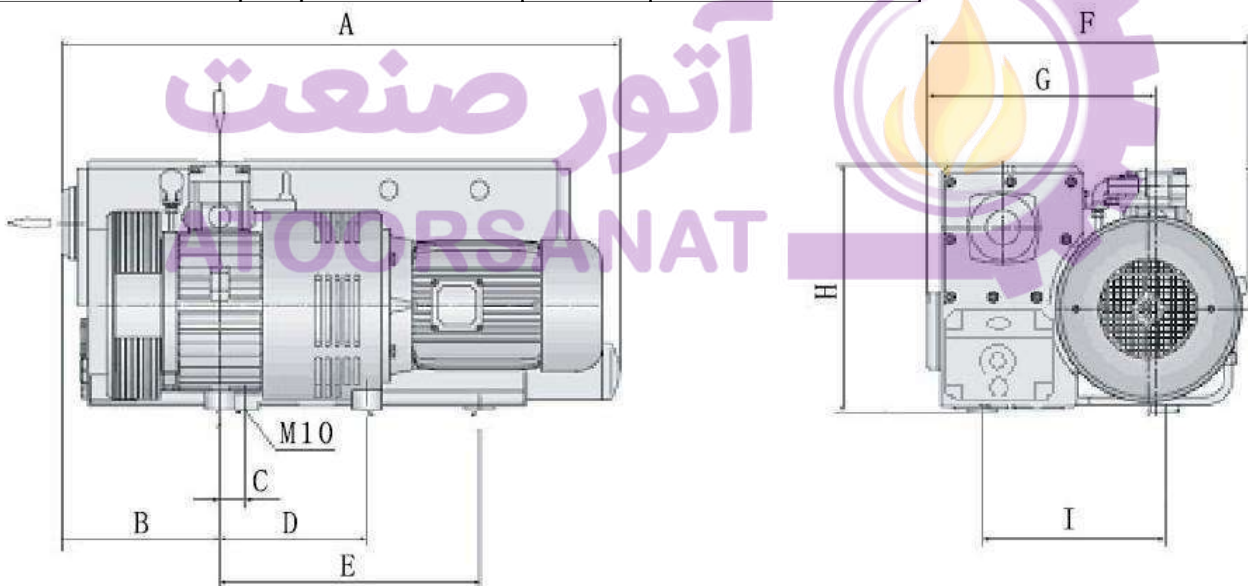




## X-250 Single Stage Rotary Vane Vacuum Pump

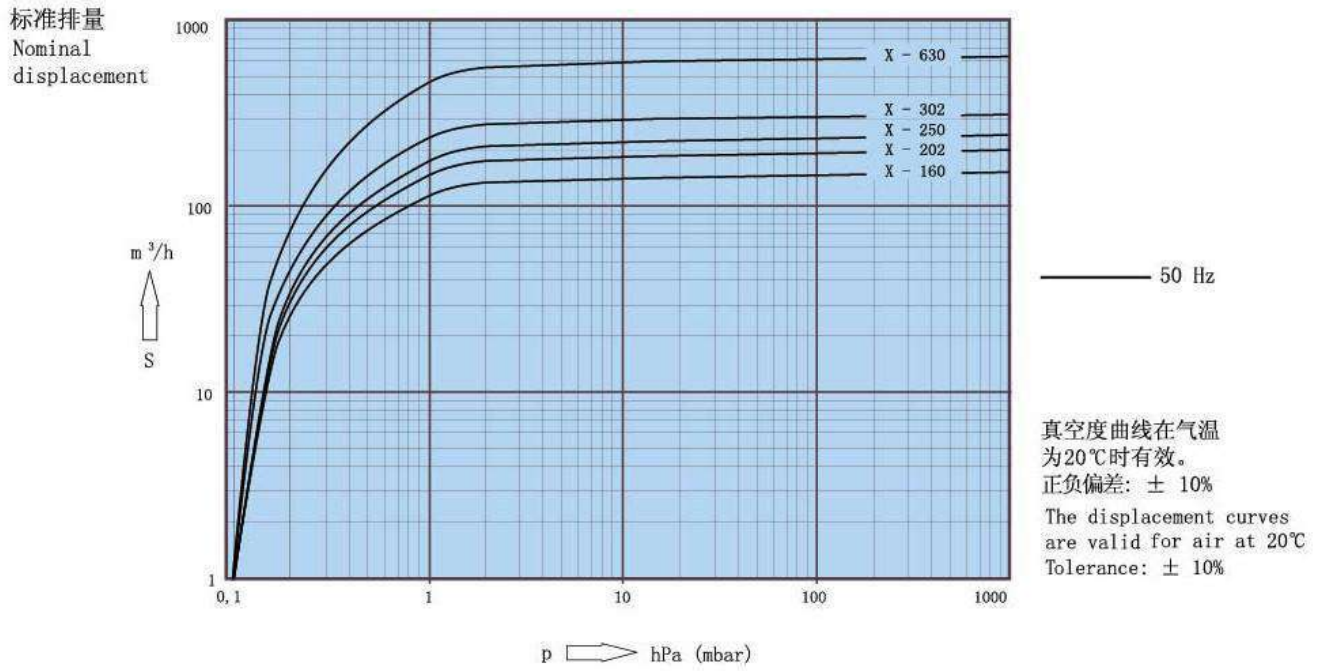


Item	Unit	X-250
Rated Speed	m <sup>3</sup> /h	250
Utmost Pressure	mbar	0.1-0.5
Noice	dB (A)	73
Work temperature	°C	81
Oil consumption	L	8
Vapor permitted pressure	mbar	40
Suction rate of vapour	kg/h	4.5
Whorl of inlet	inch	Rp2"
Whorl of outlet	inch	Rp2"
Motor rated power	kW	5.5
Motor rated rotating speed	rpm	1440
Total weight	kg	195
Vacuum pump size	cm	98*56*44



Dimension	A	B	C	D	E	F	G	H	I
X-250	980	260	-	300	390	560	385	440	355

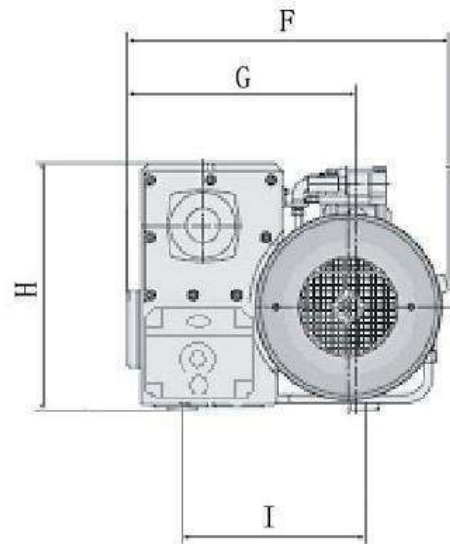
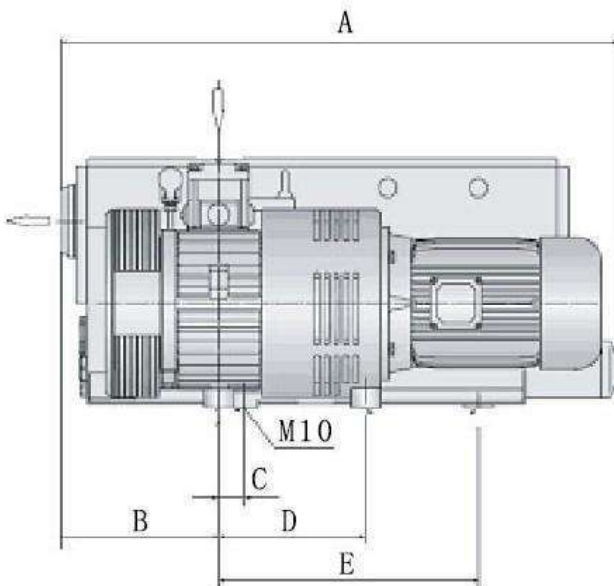
## Vacuum Curve



## X-302 Single Stage Rotary Vane Vacuum Pump



Item	Unit	X-302
Rated Speed	m <sup>3</sup> /h	300
Utmost Pressure	mbar	0.1-0.5
Noice	dB (A)	75
Work temperature	°C	83
Oil consumption	L	8
Vapor permitted pressure	mbar	40
Suction rate of vapour	kg/h	5
Whorl of inlet	inch	Rp2"
Whorl of outlet	inch	Rp2"
Motor rated power	kW	7.5
Motor rated rotating speed	rpm	1440
Total weight	kg	211
Vacuum pump size	cm	101*56*44



Dimension	A	B	C	D	E	F	G	H	I
X-302	1010	260	-	300	390	560	385	440	355

## Vacuum Curve

