

**SIEMENS**



# SIMOTICS NEMA Motors

Low Voltage AC Motors  
Selection and Pricing Guide

[usa.siemens.com/motors](http://usa.siemens.com/motors)

D81.2  
Edition

04/2015

# Licensed Motors Have NEMA Premium® on their Nameplate



## Buy With Confidence

Buying a motor can be a difficult process. Is it the right size for the application? Is it the right design? Is it going to last? Is it going to perform to its specifications? Will it meet efficiency claims? The last question is easy to answer if NEMA Premium® is on the label.

## NEMA Premium® Licensees Meet a Higher Standard

All motor manufacturers are required to submit efficiency test data to the US Department of Energy to receive their Certificate of Compliance. Data must be compiled at any qualified test facility, including the manufacturers' own test laboratory.

It takes extra to wear the NEMA Premium® label. A NEMA Premium® Licensee has agreed to go beyond minimum US DOE requirements.

## NEMA Premium® Licensees Must Prove Efficiency Claims

What's on the nameplate is not what you always get when it comes to efficiency. Most manufacturers will attempt to ship what is on the nameplate, but do not always deliver. If you want assurance that a motor meets its efficiency claims, look for a NEMA Premium® certified motor.

## NEMA Premium® Licensees Must Submit to Third Party Testing

NEMA Premium® Licensees are required to ship motors from a distributor's inventory to a third party qualified laboratory for efficiency verification testing on a regular schedule. The specified motor is randomly selected.

NEMA Premium® licensees deliver what they claim, and you can buy with assurance.

# Table of Contents

|   |      |  |      |
|---|------|--|------|
| <b>Introduction</b>                     |      |  |      |
| Wide Selection of Motors                | 1-1  | XP100 ID1 – 460  | 2-75 |
| Electric Motor Energy Efficiency        | 1-2  | Class I Group D, Division 1                            | 2-76 |
| Warranty and Support                    | 1-3  | XP100 ID1 – 575V                                       | 2-79 |
| Cancellation Charges and Change Notices | 1-5  | Class I Group D, Division 1                            |      |
| General Capabilities for Use with       |      | Spare parts  | 2-80 |
| Adjustable Speed Drives                 | 1-6  |  |      |
| Website and Tools                       | 1-7  |  |      |
| <b>Motor Selection and Pricing</b>      |      |  |      |
| <b>SIMOTICS General Purpose Motors</b>  |      | <b>SIMOTICS Definite Purpose Motors</b>                |      |
| GP100A (Aluminum Frame) – 460V          | 2-1  | Multi Speed  | 2-83 |
| Aluminum Rotor                          | 2-2  | SD10 MS – 460V and 575V                                |      |
| Copper Rotor                            | 2-5  | 1 Winding Variable Torque                              | 2-84 |
| GP100A (Aluminum Frame) – 575V          | 2-6  | (1800/900 RPM)   |      |
| Matched drive motor combination package | 2-9  | Inverter Duty  |      |
| Spare Parts                             | 2-10 | RGKESDI / RGZESDI                                      |      |
| GP100 – 460V                            | 2-13 | Constant Torque – 1000:1                               | 2-85 |
| Aluminum Rotor                          | 2-14 | Vertical Solid Shaft                                   |      |
| Copper Rotor                            | 2-18 | RGZVESD  |      |
| GP100 – 575V                            | 2-20 | Normal Thrust  | 2-89 |
| Spare Parts                             | 2-41 | RGZVILESD  |      |
|   |      | In-Line Thrust   | 2-95 |
|   |      |  |      |
|   |      | <b>Special Features Detail</b>                         |      |
|   |      | Special Features Detail Overview                       | 3-2  |
|   |      | Options Selection and Pricing                          | 3-10 |
|   |      |  |      |
|   |      | <b>Typical Performance Data</b>                        |      |
|   |      | <b>Technical Notes</b>                                 | 4-1  |
|   |      | <b>SIMOTICS General Purpose and Severe Duty Motors</b> |      |
| <b>SIMOTICS Severe Duty Motors</b>      |      | GP100A / GP100   |      |
| SD100 – 460V                            | 2-27 | Aluminum Rotor   | 4-2  |
| Aluminum Rotor                          | 2-28 | Copper Rotor   | 4-4  |
| Copper Rotor                            | 2-32 | SD100 / SD100 IEEE841                                  |      |
| SD100 – 575V                            | 2-34 | Aluminum Rotor   | 4-5  |
| Matched drive motor combination package | 2-38 | Copper Rotor   | 4-7  |
| Spare Parts                             | 2-41 |  |      |
| SD100 IEEE841 – 460V                    | 2-45 |  |      |
| Aluminum Rotor                          | 2-46 |  |      |
| Copper Rotor                            | 2-51 |  |      |
| SD100 IEEE841 – 575V                    | 2-52 |  |      |
| Spare Parts                             | 2-57 |  |      |
| SD661 – 460V and 575V                   | 2-61 |  |      |
| Aluminum Rotor                          | 2-62 |  |      |
| Spare Parts                             | 2-63 |  |      |
|   |      | <b>SIMOTICS Explosion Proof Motors</b>                 |      |
|   |      | XP100 / XP100 ID1                                      | 4-8  |
|   |      |  |      |
|   |      | <b>SIMOTICS Definite Purpose Motors</b>                |      |
| <b>SIMOTICS Explosion Proof Motors</b>  |      | SD10 MS  | 4-10 |
| XP100 – 460V                            | 2-65 | RGKESDI / RGZESDI                                      | 4-11 |
| Class I Groups C&D                      |      | CT 1000:1  |      |
| Class II Groups F&G, Division 1         |      | RGZVESD / RGZVILESDI                                   | 4-13 |
| XP100 – 575V                            | 2-70 |  |      |
| Class I Groups C&D                      |      |  |      |
| Class II Groups F&G, Division 1         |      |  |      |
| Spare Parts                             | 2-72 |  |      |

# Table of Contents

## General Dimensions

|   |      |
|---|------|
| <b>SIMOTICS General Purpose Motors</b>  |      |
| GP100A                                  | 5-1  |
| GP100                                   | 5-2  |
| <b>SIMOTICS Severe Duty Motors</b>      |      |
| SD100                                   | 5-6  |
| SD100 IEEEE841                          | 5-10 |
| <b>SIMOTICS Explosion Proof Motors</b>  |      |
| XP100 / XP100 ID1                       | 5-15 |
| <b>SIMOTICS Definite Purpose Motors</b> |      |
| SD10 MS                                 | 5-19 |
| RGZVESD / RGZVEILSD                     | 5-23 |
| <b>SIMOTICS Conduit Boxes</b>           |      |
| General Purpose                         | 5-24 |
| GP100A / GP100                          |      |
| Severe Duty                             | 5-25 |
| SD100 / SD100 IEEEE841 / SD10 MS        |      |
| Explosion Proof                         | 5-26 |
| XP100 / XP100 ID1                       |      |
| Definite Purpose                        | 5-27 |
| RGZ Motors                              |      |
| <b>Part Number Index</b>                |      |
| SIMOTICS NEMA Motors                    | 6-1  |

آتور صنعت  
ATOORSANAT



# Introduction

## Wide selection of motors

### Wide selection

Providing value also means having the right motor for the job. At Siemens, we strive to offer a wide variety of motor types, in all frame sizes and power ratings with a comprehensive set of options and quick modifications. As you read these words, our highly qualified research and development group is working to add to this list as part of our commitment to become your single source for motors.

### The right efficiency for your application

To meet your cost of ownership and motor management needs, Siemens offers several levels of energy efficiency in many of its motors:

- Energy Efficient (MG1 Table 12-11)
- NEMA Premium® (MG1 Table 12-12)
- NEMA Premium® Plus

### The world's most energy efficient line of motors

Lower your energy costs today with the world's most energy efficient line of motors. New regulatory standards and rising energy costs create increasing pressure to maximize energy efficiency and reduce your carbon footprint. Siemens breakthrough copper-rotor motors have set new standards for efficiency. By adding copper to the stator windings, Siemens has developed motors that can withstand the heat. Two-thirds of an AC induction motor's electrical loss occurs in the stator. The addition of the copper rotor reduces wasteful, resistive heating. Copper's volumetric electrical conductivity is approximately 66% higher than aluminum, thus providing us with the opportunity to offer motors that can exceed the efficiency requirements of MG Table 12-12.

### Total customer support

When you're looking for a motor, look for a highly trained specialist to help you match the right motor to your specific needs. Siemens sales engineers have the knowledge, training and experience to help you solve performance or installation challenges to ensure that you will receive the best value for your investment. Our customer service center takes pride in putting our customers first. Whether it's an expedited shipment, tracking your order, or making sure your motor is properly installed, these professionals won't be satisfied until you are.



### Availability

Siemens has hundreds of distributor stocking locations throughout North America with a wide selection of NEMA and IEC frame sizes and ratings. Motors are available same day from a local source you can trust.

Need something special? Our modification centers have complete motor modification capabilities to help you get the exact motor you need, when you need it.

### Iron-clad quality

The quality of our motors begins with the design experience we have gained through more than 100 years of manufacturing and installing motors. We build on this experience every day with new designs that incorporate the latest materials and techniques to provide even higher levels of performance, operating efficiency and reliability.

These advanced motor designs are manufactured in a state-of-the-art, ISO 9001 certified facility. Here, our manufacturing technicians subject each motor to more than 100 separate quality inspections before it leaves our plant ensuring it meets the high standards our customers expect.

# Introduction

## Electric Motor Energy Efficiency

### U.S. Dept. of Energy Integral Horsepower Motor Rule Effective June 1, 2016

The United States Department of Energy passed a final rule in 2014, that covers 1 -500 HP (0.75 -370 KW) 3-phase electric motors. The new law will supersede the Energy Independence & Security Act (EISA) of 2007 and become effective June 1, 2016. For reference and complete wording of the law, refer to:  
[http://www.energy.gov/sites/prod/files/2014/05/f15/electric\\_motors\\_ecs\\_final\\_rule.pdf](http://www.energy.gov/sites/prod/files/2014/05/f15/electric_motors_ecs_final_rule.pdf)

The new legislation broadens the number of motor types covered and closes most of the loopholes that permitted exceptions in both EPA 1992 and EISA 2007 legislation. In essence, most 3-phase industrial motors manufactured will be required to meet the efficiencies listed in NEMA MG-1, table 12-12 (reference NEMA Premium® efficiency).

Additional motor types covered include, but are not limited to:

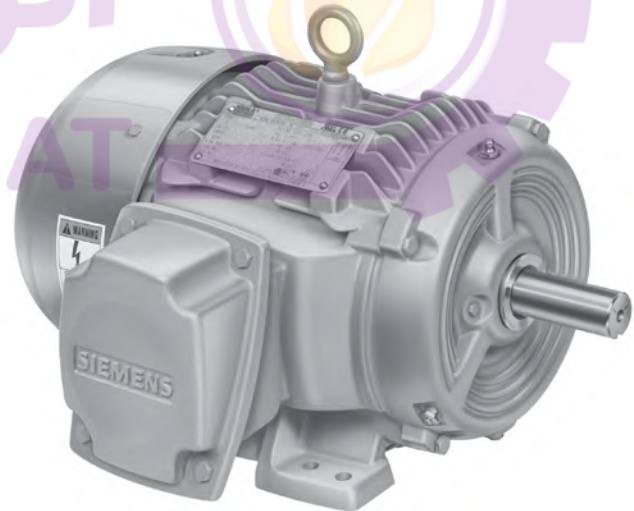
- 201-500 HP (previously 1 – 200 HP)
- Footless (C-face & D-flange)
- Vertical (HP & LP)
- 8-pole (900 RPM)
- Brakemotors (integral and add-on)
- Motors with customer special shafts, flanges and mountings
- IEC 100 frame

Motors that are not covered by mandated efficiency regulations are:

- Multi-speed (SD10MS)
- Inverter duty only (RGZVESDI)

**The majority of Siemens low voltage motors listed in this price guide currently meet, or exceed, the June 1, 2016 mandatory regulations. Industry-leading, die cast copper rotor motors, exceed all efficiency requirements.**

Vertical, solid shaft, P-base (HP & LP) motors will be available in the near future, with NEMA Premium® efficiencies as standard.



# Introduction

## Warranty and support

Siemens Industry, Inc.  
Drive Technology  
SIMOTICS NEMA Motors

### Warranty procedure

#### Standard terms and conditions of sale

Warranty – Company warrants that on the date of shipment to purchaser the goods will be of the kind and quality described herein, merchantable, and free of defects in workmanship and material.

If within one year from date of operation, but not more than eighteen months from date of shipment by Company, of any item of the goods, purchaser discovers that such item was not as warranted above and promptly notifies company in written thereof, Company shall remedy such defect by, at Company's option, adjustment, repair, or replacement of the item and any affected part of the goods. Purchaser shall assume all responsibility and expense for removal, reinstallation and freight in connection with the foregoing remedy. The same obligations and conditions shall extend to replacement items furnished by company here under. Company shall have the right of disposal of items replaced by it. Purchaser shall grant Company to determine any defect in the goods. In the event that adjustment, repair or replacement does not remedy the defect, the Company and Purchaser shall negotiate in good faith an equitable adjustment in the contract price.

#### Service calls and overtime are not covered under Siemens warranty policy.

The Company's responsibility does not extend to any item of the goods which has not been manufactured and sold by Company. Such item shall be covered only by express warranty, if any, of the manufacture thereof. The Company and its suppliers shall also have no responsibility if the goods have been improperly stored, handled, or installed or if the goods have not been operated or maintained according to their ratings or according to instructions in Company or supplier furnished manuals, or if unauthorized repairs or modifications have been made to the goods.

THIS WARRANTY IS EXPRESSLY IN LIEU OF ALL OTHER WARRANTIES (EXCEPT TITLE), INCLUDING BUT NOT LIMITED TO IMPLIED WARRANTIES OF MERCHANTABILITY AND FITNESS, AND CONSTITUTES THE ONLY WARRANTY OF COMPANY WITH RESPECT TO THE GOODS.

The foregoing states Purchasers exclusive remedy against Company and its suppliers for any defect in the goods or for failure of the goods to be as warranted, whether Purchaser's remedy is based on contract, warranty, failure of such remedy to achieve its essential purpose, tort (including negligence), indemnity or any other legal theory, and whether arising out of warranties, representations, instructions, installations or defects from any cause.

| SIMOTICS warranty type  |  |
|---|--|
| A. 12 Months<br>18 Months<br>GP100, GP100A                              | In Service<br>After Shipment<br>Which ever comes first               |
| 3 years<br>RGZESDI, RGZVESD, RGZVILESD<br>SD10, SD100, XP100, XP100 ID1 | After shipment   |
| 5 years<br>SD100 IEEE841  | After shipment   |
| B. Remedy   | Siemens option<br>Repair<br>Replace                                  |
| C. Purchaser's  | Responsibility<br>Transportation damage claims<br>Removal<br>Freight |
| D. Specifically   | Excludes<br>Improper storage<br>In and out costs                     |
| E. Shipment   | Normal<br>FOB our dock<br>Freight allowed                            |

# Introduction

## Warranty and support

### Reference notes

1. After the inspection, contact Little Rock Plant for authorization of repair or replacement. Unapproved repairs will be denied.
2. Removal, reinstallation, freight and service calls are NOT covered by warranty.
3. A standard EASE Warranty report must be filled out and a Siemens job/p.o. # issued. The Warranty report and nameplate (if motor scrapped in the field) plus the invoice must be sent to the Little Rock Plant.
4. Premium efficiency motors will modify major repair pricing by increasing schedule 10%.
5. Allowances listed are for open drip-proof and totally enclosed, non-ventilated motors with class B or F insulation and all voltages between 100 and 600 volts. For variations consult factory.
6. Minor repairs – consist of all the operations listed under minor repairs plus the cost of material and rewinding of stator. If no allowance is shown, consult the factory.
7. Major repairs-consist of all the operations listed under major repairs plus the cost of material and rewinding of stator. If no allowance is shown, consult the factory.
8. Shaded areas represent units that will be replaced when possible, without repairs.
9. Replacement Parts – will be furnished at no Charge from the factory, i.e. bearings for 40 HP and above.
10. Replacement Motors – will be furnished at no Charge from the factory. Should it be necessary for reasons of expediency for the service shop to replace a motor from their stock, a replacement motor will be furnished at no Charge from the factory, shipped Freight allowed.
11. Defective parts, i.e. bearings, are subject to return upon request to the factory for inspection and approval for reimbursement.

### Date coding

Siemens SIMOTICS motors are date coded by the model number/date code/serial number on the nameplate.

Siemens date codes for NEMA frame size, low voltage motors built in USA and Mexico is as follows:

The first digit is alphabetic and represents the month. The second and third digits are numeric and are the last two digits of the year.

|              |               |
|--------------|---------------|
| A = January  | G = July      |
| B = February | H = August    |
| C = March    | J = September |
| D = April    | K = October   |
| E = May      | L = November  |
| F = June     | M = December  |

### IMPORTANT NOTICE

**MAIL INVOICE PLUS PROPER WARRANTY REPAIR REPORT TO THE WARRANTY ADMINISTRATOR. IF SIEMENS IS TO BE BILLED FOR OVERTIME, AUTHORIZATION MUST BE OBTAINED FROM WARRANTY ADMINISTRATOR BEFORE OVERTIME WORK IS PERFORMED. MATERIAL AND SERVICES ARE PURCHASED FOR RESALE AND ARE EXEMPT FROM STATE AND LOCAL SALES AND USE TAX.**



# Introduction

## Cancellation charges and change notices

### Cancellation charges

Note: A minimum charge of \$100 will be assessed for any order cancellation for modified or custom motors.

### Stock motors

- No charges will be incurred if an order is cancelled prior to shipment.
- A stock motor is returnable (freight paid by purchaser) immediately after shipment if returned in "new" condition (original, undamaged packaging) for a minimum restocking charge of 20% of the motor net price.

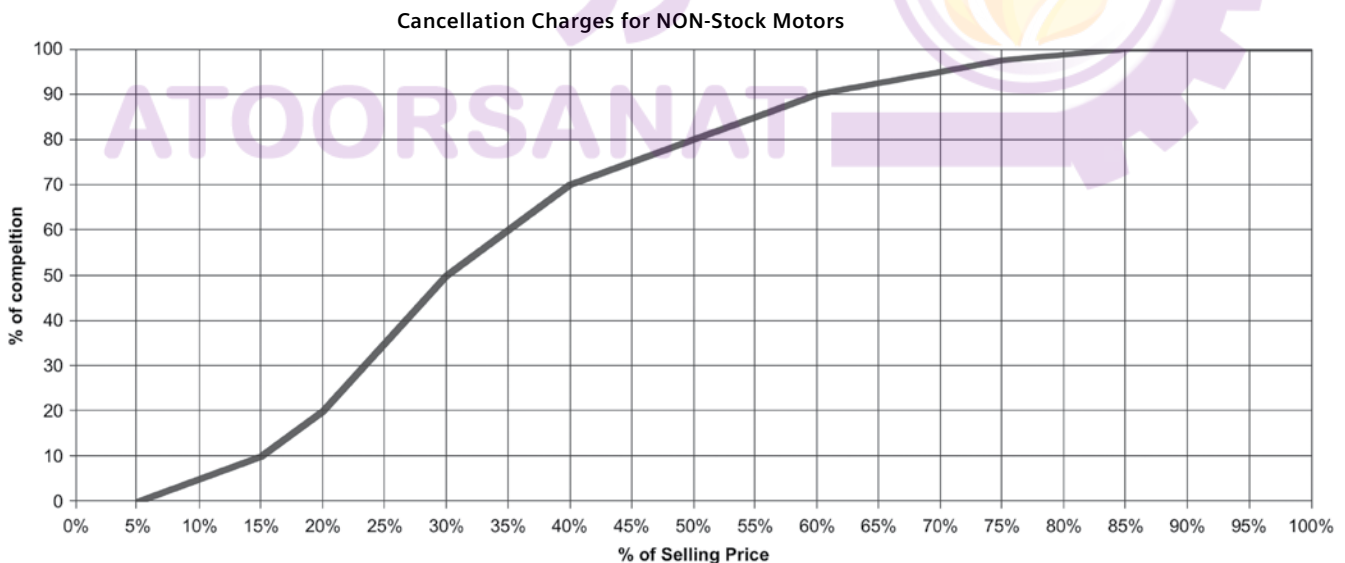
### Non-stock motors

- For non-stock motors, the following graph will apply to determine cancellation charges after the order is received and entered at the factory. Completion progress will be determined by a Siemens Customer Service Representative.

- A charge of 15% of the total net motor price will be assessed if an order is cancelled after it has been released for engineering and drafting whether or not the drawings have been completed and/or submitted for approval.

### Change notice

All change notices applied to in-process orders logged into the Siemens customer service department and requiring a product change will be subject to a \$100 net charge plus the applicable modification adder. Delivery dates will be adjusted according to the type of change/ modification requested. This policy does not pertain to commercial Changes such as "ship to" or "bill to" addresses.



# Introduction

## General capabilities for use with adjustable speed drives

The SIMOTICS product line offer a variable speed drive operation for both severe duty and general purpose applications as well as for explosion proof classifications areas. In general, our standard line design is suitable for inverter or vector applications where a maximum of 4:1

constant torque is required, motors with copper rotor design GP100, SD100 and SD100 IEE841 can provide up to 10:1 Constant torque and our Severe Duty line in four pole motors frame sizes 143-365 is suitable for up to 20:1 constant torque.

## Variable speed drive operation

### Severe Duty Motors: SD100, SD661, SD841

| Frame       | Constant Torque | Variable Torque | Class I, Div. 2 Gr. A, B, C or D<br>2) Class I, Zone 2, Groups IIC | 3) Class II, Div. 2 Gr. F & G        |
|-------------|-----------------|-----------------|--|--------------------------------------|
|             |                 |                 | Temperature code<br>Max. Temperature                               | Temperature code<br>Max. Temperature |
| 143T - 145T | 20:1            | 20:1            | T4 (275°F)   | T4A (120°F)                          |
| 182T - 184T | 20:1            | 20:1            | T3A (180°F)  | T4A (120°F)                          |
| 213T - 215T | 20:1            | 20:1            | T3A (180°F)  | T4A (120°F)                          |
| 254T - 256T | 20:1            | 20:1            | T3A (180°F)  | T4A (120°F)                          |
| 324T - 326T | 20:1            | 20:1            | T3A (180°F)  | T4A (120°F)                          |
| 364T - 365T | 20:1            | 20:1            | T3A (180°F)  | T4A (120°F)                          |
| 404T - 405T | 1) 10:1         | 20:1            | T3A (180°F)  | T4A (120°F)                          |
| 444T - 445T | 1) 10:1         | 20:1            | T3 (200°F)   | T4A (120°F)                          |
| 447T        | 1) 6:1          | 20:1            | T3 (200°F)   | T4A (120°F)                          |
| 449T        | 4:1             | 20:1            | T2D (215°F)  | T4A (120°F)                          |
| S449        | 4:1             | 20:1            | T2D (215°F)  | T4A (120°F)                          |

### Explosion Proof Motors: XP100, XP100 ID1

| Frame       | Constant Torque | Variable Torque | XP100<br>Class I, Div. 1 Gr. C and D<br>Class I, Div 2, Groups E, F<br>and G | Class I, Div. 1 Gr. D                | Constant Torque | Variable Torque |
|-------------|-----------------|-----------------|--|--------------------------------------|-----------------|-----------------|
|             |                 |                 | Temperature code<br>Max. Temperature   | Temperature code<br>Max. Temperature |                 |                 |
| 143T - 145T | 4:1             | 20:1            | T3C (160°F)  | T2D (215°F)                          | 4:1             | 100:1           |
| 182T - 184T | 4:1             | 20:1            | T3C (160°F)  | T2D (215°F)                          | 4:1             | 100:1           |
| 213T - 215T | 4:1             | 20:1            | T3C (160°F)  | T2D (215°F)                          | 4:1             | 100:1           |
| 254T - 256T | 4:1             | 20:1            | T3C (160°F)  | T2D (215°F)                          | 4:1             | 100:1           |
| 324T - 326T | 4:1             | 20:1            | T3C (160°F)  | T2D (215°F)                          | 4:1             | 100:1           |
| 364T - 365T | 1) 6:1          | 20:1            | T3C (160°F)  | T2D (215°F)                          | 4:1             | 100:1           |
| 404T - 405T | 1) 6:1          | 20:1            | T3C (160°F)  | T2D (215°F)                          | 4:1             | 100:1           |
| 444T - 445T | 1) 6:1          | 20:1            | T3C (160°F)  | T2D (215°F)                          | 4:1             | 100:1           |
| 447T        | 1) 4:1          | 20:1            | T3C (160°F)  | T2D (215°F)                          | 4:1             | 100:1           |

1) \*4:1 C.T. for std fan, 6:1 or 10: C.T. M05 option code.

2) Marking of Zone 2 as option (M22 – additional nameplate).

3) Available as an option (L29 +L81 +M25 -Seal leads, Inpro®Seal, additional marking plate).

# Introduction

General capabilities for use with adjustable speed drives

Variable speed drive operation

## General Purpose Motors: GP100, GP100A

| Frame       | Constant Torque | Variable Torque |
|-------------|-----------------|-----------------|
| 143T - 145T | 20:1            | 20:1            |
| 182T - 184T | 20:1            | 20:1            |
| 213T - 215T | 20:1            | 20:1            |
| 254T - 256T | 20:1            | 20:1            |
| 324T - 326T | 20:1            | 20:1            |
| 364T - 365T | 20:1            | 20:1            |
| 404T - 405T | 4:1             | 20:1            |
| 444T - 445T | 4:1             | 20:1            |
| 447T        | 4:1             | 20:1            |
| 449T        | 4:1             | 20:1            |

## Copper Rotor Motors: GP100, GP100A

| Frame       | Constant Torque | Variable Torque |
|-------------|-----------------|-----------------|
| 143T - 145T | 10:1            | 20:1            |
| 182T - 184T | 10:1            | 20:1            |
| 213T - 215T | 10:1            | 20:1            |
| 254T - 256T | 10:1            | 20:1            |

## SD100, SD841

| Frame       | Constant Torque | Variable Torque |
|-------------|-----------------|-----------------|
| 143T - 145T | 20:1            | 20:1            |
| 182T - 184T | 20:1            | 20:1            |
| 213T - 215T | 20:1            | 20:1            |
| 254T - 256T | 20:1            | 20:1            |



# Introduction

## Selection and configuration tools

In our **Website** you will find all sorts of useful information, pre-sales information, technical information, contacts and local partners as well as on-line support. [www.usa.siemens.com/nema-motors](http://www.usa.siemens.com/nema-motors)



The **DT configurator** has been developed to facilitate the selection of motors and its wide range of special features. It is integrated as an offline "Selection Tool" in the interactive catalog CA01 and is also available on line. The DT Configurator not only renders the correct ordering part number for you, but also provides all relevant documentation to the selection, operating instructions, data sheets, curves and dimensional drawings. [www.siemens.com/dtconfigurator](http://www.siemens.com/dtconfigurator)

**Size configuration tool** provides an easy-to-use means for configuring drives and controls while at the same time supports all engineering steps in one workflow:

- Configuring the power supply
- Motor and gearbox design, including calculations of mechanical transmission elements
- Configuring the drive components
- Selecting the required accessories
- Selecting the line-side and motor-side power options, e.g. cables, filters and reactors



The energy-saving program **SinaSave** is suitable for application with motors for on-line fed operation (fixed speed) and inverter-fed operations (variable speed). With on-line operation, you can calculate the cost savings as well as the amortization time for the additional cost of the Siemens energy-saving motors with three different comparison cases, efficiency comparison, motor comparison and overall plant analysis.

# SIMOTICS General purpose motors GP100A (Aluminum frame)

GP100A general purpose TEFC motors meet or exceed NEMA Premium® efficiency, with our exclusive, leading-edge, die cast copper or our die cast aluminum rotor designs. Either way, these motors significantly reduce operating costs and pay for themselves in a short time through energy savings. These light-weight, flexible mounting industry motors are ideal for use in material handling, pump, fan, compressor and many other industrial applications.



Modifiable – Siemens SIMOTICS GP100A motors are available with a variety of QuikMOD modifications and kits.

|                       |   |   |
|-----------------------|---|---|
| HP range              | Frame Size  | <b>1-20 HP</b><br>143T-256T   |
| Efficiency            | NEMA Premium® Plus<br>NEMA Premium®   | 143T-256T<br>143T-256T  |
| Voltage               | 208-230 / 460 V<br>575 V  | 3 phase 60Hz<br>1-20HP<br>1-20HP  |
| Insulation            | Insulation Class F<br>Service Factor @ 40°C<br>Temperature rise (Sine wave)                     | <b>NEMA design B</b><br>NEMA MG1 Part 31<br>1.15<br>Class B @ 1.0SF<br>Class F @ 1.15SF             |
| Frame                 | 8 hole feet<br>Condensation drains<br>High strength carbon steel shaft<br>V ring slinger - IP54 | <b>Die Cast Aluminum</b><br>Bolt-on<br>Drain holes Two on lowest point in frame<br>C1045<br>DE only |
| Stator/Windings rotor | Stator<br>Rotor, die cast copper<br>Rotor, die cast aluminum                                    | Random wound copper<br>143T-256T<br>143T-256T   |
| Conduit box           | Die cast aluminum<br>O-ring   | <b>Oversized</b><br>143T-256T<br>143T-256T  |
| Bearings              | Double shielded<br>Bearing housing<br>Grease<br>Inlet / relief fittings                         | 143T-256T<br>Aluminum<br>Polyurea base<br>no  |
| Fan and fan cover     | Cover<br>Bidirectional fan  | Plastic - 143T-256T<br>143T-256T Polypropylene  |
| Hardware              | Nameplate<br>Lifting eyebolt<br>Paint   | Rust resistant Zinc plated<br>Aluminum engraved<br>Cast in<br>Alkyd Modified - RAL7030              |
| Inverter duty         | Variable torque 20:1<br>Constant torque 10:1<br>Constant torque 4:1                             | 143T-256T<br>Copper rotor 143T-256T<br>Aluminum rotor 143T-256T                                     |

NEMA Premium® is a certification mark of the National Electrical Manufacturers Association.

# SIMOTICS General purpose motors

GP100A (Aluminum frame)

NEMA Premium®

Die cast aluminum rotor

460V 60Hz – Foot mounted

| HP  | RPM  | Frame | Voltage     | Type   | Part Number      | List price \$ | Multi. Symb. | FL amps | FL Nom Eff. (%) | Lbs | Stock |
|-----|------|-------|-------------|--------|------------------|---------------|--------------|---------|-----------------|-----|-------|
| 1   | 3600 | 143T  | 208-230/460 | GP100A | 1LE21211AA114AA3 |               | GPA2         | 1.4     | 82.5            | 29  | ✓     |
| 1   | 1800 | 143T  | 208-230/460 | GP100A | 1LE21211AB214AA3 |               | GPA2         | 1.4     | 85.5            | 41  | ✓     |
| 1   | 1200 | 145T  | 208-230/460 | GP100A | 1LE21211AC314AA3 |               | GPA2         | 1.6     | 82.5            | 45  | ✓     |
| 1.5 | 3600 | 143T  | 208-230/460 | GP100A | 1LE21211AA214AA3 |               | GPA2         | 2.0     | 84.0            | 35  | ✓     |
| 1.5 | 1800 | 145T  | 208-230/460 | GP100A | 1LE21211AB314AA3 |               | GPA2         | 2.1     | 86.5            | 47  | ✓     |
| 1.5 | 1200 | 182T  | 208-230/460 | GP100A | 1LE21211CC114AA3 |               | GPA2         | 2.4     | 87.5            | 63  | ✓     |
| 2   | 3600 | 145T  | 208-230/460 | GP100A | 1LE21211AA314AA3 |               | GPA2         | 2.5     | 85.5            | 38  | ✓     |
| 2   | 1800 | 145T  | 208-230/460 | GP100A | 1LE21211AB414AA3 |               | GPA2         | 2.8     | 86.5            | 46  | ✓     |
| 2   | 1200 | 184T  | 208-230/460 | GP100A | 1LE21211CC314AA3 |               | GPA2         | 3.2     | 88.5            | 72  | ✓     |
| 3   | 3600 | 182T  | 208-230/460 | GP100A | 1LE21211CA114AA3 |               | GPA2         | 3.8     | 86.5            | 57  | ✓     |
| 3   | 1800 | 182T  | 208-230/460 | GP100A | 1LE21211CB114AA3 |               | GPA2         | 4.0     | 89.5            | 68  | ✓     |
| 3   | 1200 | 213T  | 208-230/460 | GP100A | 1LE21212AC114AA3 |               | GPA2         | 4.3     | 89.5            | 104 | ✓     |
| 5   | 3600 | 184T  | 208-230/460 | GP100A | 1LE21211CA314AA3 |               | GPA2         | 6.0     | 88.5            | 67  | ✓     |
| 5   | 1800 | 184T  | 208-230/460 | GP100A | 1LE21211CB314AA3 |               | GPA2         | 6.5     | 89.5            | 74  | ✓     |
| 5   | 1200 | 215T  | 208-230/460 | GP100A | 1LE21212AC214AA3 |               | GPA2         | 6.7     | 89.5            | 116 | ✓     |
| 7.5 | 3600 | 213T  | 208-230/460 | GP100A | 1LE21212AA114AA3 |               | GPA2         | 8.8     | 89.5            | 100 | ✓     |
| 7.5 | 1800 | 213T  | 208-230/460 | GP100A | 1LE21212AB114AA3 |               | GPA2         | 9.7     | 91.7            | 130 | ✓     |
| 7.5 | 1200 | 254T  | 208-230/460 | GP100A | 1LE21212BC114AA3 |               | GPA2         | 10.0    | 91.0            | 200 | ✓     |
| 10  | 3600 | 215T  | 208-230/460 | GP100A | 1LE21212AA214AA3 |               | GPA2         | 11.5    | 90.2            | 113 | ✓     |
| 10  | 1800 | 215T  | 208-230/460 | GP100A | 1LE21212AB214AA3 |               | GPA2         | 12.5    | 91.7            | 136 | ✓     |
| 10  | 1200 | 256T  | 208-230/460 | GP100A | 1LE21212BC214AA3 |               | GPA2         | 13.5    | 91.0            | 196 | ✓     |
| 15  | 3600 | 254T  | 208-230/460 | GP100A | 1LE21212BA114AA3 |               | GPA2         | 17.5    | 91.0            | 196 | ✓     |
| 15  | 1800 | 254T  | 208-230/460 | GP100A | 1LE21212BB114AA3 |               | GPA2         | 19.0    | 92.4            | 198 | ✓     |
| 20  | 3600 | 256T  | 208-230/460 | GP100A | 1LE21212BA214AA3 |               | GPA2         | 22.5    | 91.0            | 231 | ✓     |
| 20  | 1800 | 256T  | 208-230/460 | GP100A | 1LE21212BB214AA3 |               | GPA2         | 25.0    | 93.0            | 229 | ✓     |

NEMA Premium® is a certification mark of the National Electrical Manufacturers Association.  
QuikMOD Delivery for stocked motors only.

Stock availability subject to change.  
Prices and Specifications are subject to change without notice.  
DOE#CC 032A

# SIMOTICS General purpose motors

## GP100A (Aluminum frame)

NEMA Premium®  
 Die cast aluminum rotor

460V 60Hz – C-face Foot mounted

| HP  | RPM  | Frame | Voltage     | Type   | Part Number      | List price \$ | Multi. Symb. | FL amps | FL Nom Eff. (%) | Lbs | Stock |
|-----|------|-------|-------------|--------|------------------|---------------|--------------|---------|-----------------|-----|-------|
| 1   | 3600 | 143TC | 208-230/460 | GP100A | 1LE21211AA114EA3 |               | GPA2         | 1.4     | 82.5            | 29  | ✓     |
| 1   | 1800 | 143TC | 208-230/460 | GP100A | 1LE21211AB214EA3 |               | GPA2         | 1.4     | 85.5            | 41  | ✓     |
| 1   | 1200 | 145TC | 208-230/460 | GP100A | 1LE21211AC314EA3 |               | GPA2         | 1.6     | 82.5            | 45  |       |
| 1.5 | 3600 | 143TC | 208-230/460 | GP100A | 1LE21211AA214EA3 |               | GPA2         | 2.0     | 84.0            | 35  | ✓     |
| 1.5 | 1800 | 145TC | 208-230/460 | GP100A | 1LE21211AB314EA3 |               | GPA2         | 2.1     | 86.5            | 47  | ✓     |
| 1.5 | 1200 | 182TC | 208-230/460 | GP100A | 1LE21211CC114EA3 |               | GPA2         | 2.4     | 87.5            | 63  |       |
| 2   | 3600 | 145TC | 208-230/460 | GP100A | 1LE21211AA314EA3 |               | GPA2         | 2.5     | 85.5            | 38  | ✓     |
| 2   | 1800 | 145TC | 208-230/460 | GP100A | 1LE21211AB414EA3 |               | GPA2         | 2.8     | 86.5            | 46  | ✓     |
| 2   | 1200 | 184TC | 208-230/460 | GP100A | 1LE21211CC314EA3 |               | GPA2         | 3.2     | 88.5            | 72  |       |
| 3   | 3600 | 182TC | 208-230/460 | GP100A | 1LE21211CA114EA3 |               | GPA2         | 3.8     | 86.5            | 57  | ✓     |
| 3   | 1800 | 182TC | 208-230/460 | GP100A | 1LE21211CB114EA3 |               | GPA2         | 4.0     | 89.5            | 68  | ✓     |
| 3   | 1200 | 213TC | 208-230/460 | GP100A | 1LE21212AC114EA3 |               | GPA2         | 4.3     | 89.5            | 104 |       |
| 5   | 3600 | 184TC | 208-230/460 | GP100A | 1LE21211CA314EA3 |               | GPA2         | 6.0     | 88.5            | 67  | ✓     |
| 5   | 1800 | 184TC | 208-230/460 | GP100A | 1LE21211CB314EA3 |               | GPA2         | 6.5     | 89.5            | 74  | ✓     |
| 5   | 1200 | 215TC | 208-230/460 | GP100A | 1LE21212AC214EA3 |               | GPA2         | 6.7     | 89.5            | 116 |       |
| 7.5 | 3600 | 213TC | 208-230/460 | GP100A | 1LE21212AA114EA3 |               | GPA2         | 8.8     | 89.5            | 100 | ✓     |
| 7.5 | 1800 | 213TC | 208-230/460 | GP100A | 1LE21212AB114EA3 |               | GPA2         | 9.7     | 91.7            | 130 | ✓     |
| 7.5 | 1200 | 254TC | 208-230/460 | GP100A | 1LE21212BC114EA3 |               | GPA2         | 10.0    | 91.0            | 200 |       |
| 10  | 3600 | 215TC | 208-230/460 | GP100A | 1LE21212AA214EA3 |               | GPA2         | 11.5    | 90.2            | 113 | ✓     |
| 10  | 1800 | 215TC | 208-230/460 | GP100A | 1LE21212AB214EA3 |               | GPA2         | 12.5    | 91.7            | 136 | ✓     |
| 10  | 1200 | 256TC | 208-230/460 | GP100A | 1LE21212BC214EA3 |               | GPA2         | 13.5    | 91.0            | 196 |       |
| 15  | 3600 | 254TC | 208-230/460 | GP100A | 1LE21212BA114EA3 |               | GPA2         | 17.5    | 91.0            | 196 | ✓     |
| 15  | 1800 | 254TC | 208-230/460 | GP100A | 1LE21212BB114EA3 |               | GPA2         | 19.0    | 92.4            | 198 | ✓     |
| 20  | 3600 | 256TC | 208-230/460 | GP100A | 1LE21212BA214EA3 |               | GPA2         | 22.5    | 91.0            | 231 | ✓     |
| 20  | 1800 | 256TC | 208-230/460 | GP100A | 1LE21212BB214EA3 |               | GPA2         | 25.0    | 93.0            | 229 | ✓     |

NEMA Premium® is a certification mark of the National Electrical Manufacturers Association.  
 QuikMOD Delivery for stocked motors only.

Stock availability subject to change.  
 Prices and Specifications are subject to change without notice.  
 DOE#CC 032A

# SIMOTICS General purpose motors

GP100A (Aluminum frame)

NEMA Premium®

Die cast aluminum rotor

460V 60Hz – C-face Footless

| HP  | RPM  | Frame | Voltage     | Type   | Part Number      | List price \$ | Multi. Symb. | FL amps | FL Nom Eff. (%) | Lbs | Stock |
|-----|------|-------|-------------|--------|------------------|---------------|--------------|---------|-----------------|-----|-------|
| 1   | 3600 | 143TC | 208-230/460 | GP100A | 1LE21211AA114GA3 |               | GPA2         | 1.4     | 82.5            | 29  | ✓     |
| 1   | 1800 | 143TC | 208-230/460 | GP100A | 1LE21211AB214GA3 |               | GPA2         | 1.4     | 85.5            | 41  | ✓     |
| 1   | 1200 | 145TC | 208-230/460 | GP100A | 1LE21211AC314GA3 |               | GPA2         | 1.6     | 82.5            | 45  |       |
| 1.5 | 3600 | 143TC | 208-230/460 | GP100A | 1LE21211AA214GA3 |               | GPA2         | 2.0     | 84.0            | 35  | ✓     |
| 1.5 | 1800 | 145TC | 208-230/460 | GP100A | 1LE21211AB314GA3 |               | GPA2         | 2.1     | 86.5            | 47  | ✓     |
| 1.5 | 1200 | 182TC | 208-230/460 | GP100A | 1LE21211CC114GA3 |               | GPA2         | 2.4     | 87.5            | 63  |       |
| 2   | 3600 | 145TC | 208-230/460 | GP100A | 1LE21211AA314GA3 |               | GPA2         | 2.5     | 85.5            | 38  | ✓     |
| 2   | 1800 | 145TC | 208-230/460 | GP100A | 1LE21211AB414GA3 |               | GPA2         | 2.8     | 86.5            | 46  | ✓     |
| 2   | 1200 | 184TC | 208-230/460 | GP100A | 1LE21211CC314GA3 |               | GPA2         | 3.2     | 88.5            | 72  |       |
| 3   | 3600 | 182TC | 208-230/460 | GP100A | 1LE21211CA114GA3 |               | GPA2         | 3.8     | 86.5            | 57  | ✓     |
| 3   | 1800 | 182TC | 208-230/460 | GP100A | 1LE21211CB114GA3 |               | GPA2         | 4.0     | 89.5            | 68  | ✓     |
| 3   | 1200 | 213TC | 208-230/460 | GP100A | 1LE21212AC114GA3 |               | GPA2         | 4.3     | 89.5            | 104 |       |
| 5   | 3600 | 184TC | 208-230/460 | GP100A | 1LE21211CA314GA3 |               | GPA2         | 6.0     | 88.5            | 67  | ✓     |
| 5   | 1800 | 184TC | 208-230/460 | GP100A | 1LE21211CB314GA3 |               | GPA2         | 6.5     | 89.5            | 74  | ✓     |
| 5   | 1200 | 215TC | 208-230/460 | GP100A | 1LE21212AC214GA3 |               | GPA2         | 6.7     | 89.5            | 116 |       |
| 7.5 | 3600 | 213TC | 208-230/460 | GP100A | 1LE21212AA114GA3 |               | GPA2         | 8.8     | 89.5            | 100 | ✓     |
| 7.5 | 1800 | 213TC | 208-230/460 | GP100A | 1LE21212AB114GA3 |               | GPA2         | 9.7     | 91.7            | 130 | ✓     |
| 7.5 | 1200 | 254TC | 208-230/460 | GP100A | 1LE21212BC114GA3 |               | GPA2         | 10.0    | 91.0            | 200 |       |
| 10  | 3600 | 215TC | 208-230/460 | GP100A | 1LE21212AA214GA3 |               | GPA2         | 11.5    | 90.2            | 113 | ✓     |
| 10  | 1800 | 215TC | 208-230/460 | GP100A | 1LE21212AB214GA3 |               | GPA2         | 12.5    | 91.7            | 136 | ✓     |
| 10  | 1200 | 256TC | 208-230/460 | GP100A | 1LE21212BC214GA3 |               | GPA2         | 13.5    | 91.0            | 196 |       |
| 15  | 3600 | 254TC | 208-230/460 | GP100A | 1LE21212BA114GA3 |               | GPA2         | 17.5    | 91.0            | 196 | ✓     |
| 15  | 1800 | 254TC | 208-230/460 | GP100A | 1LE21212BB114GA3 |               | GPA2         | 19.0    | 92.4            | 198 | ✓     |
| 20  | 3600 | 256TC | 208-230/460 | GP100A | 1LE21212BA214GA3 |               | GPA2         | 22.5    | 91.0            | 231 | ✓     |
| 20  | 1800 | 256TC | 208-230/460 | GP100A | 1LE21212BB214GA3 |               | GPA2         | 25.0    | 93.0            | 229 | ✓     |

NEMA Premium® is a certification mark of the National Electrical Manufacturers Association.  
QuikMOD Delivery for stocked motors only.

Stock availability subject to change.  
Prices and Specifications are subject to change without notice.  
DOE#CC 032A



# SIMOTICS General purpose motors

## GP100A (Aluminum frame)

NEMA Premium®  
Die cast copper rotor

460V 60Hz – Foot mounted

| HP  | RPM  | Frame | Voltage     | Type   | Part Number      | List Price \$ | Mult. Symb. | FL Amps | FL Nom Eff. (%) | Lbs | Stock |
|-----|------|-------|-------------|--------|------------------|---------------|-------------|---------|-----------------|-----|-------|
| 1   | 1800 | 143T  | 208-230/460 | GP100A | 1LE21111AB214AA3 |               | GPA2        | 1.5     | 86.5            | 47  | ✓     |
| 1   | 1200 | 145T  | 208-230/460 | GP100A | 1LE21111AC314AA3 |               | GPA2        | 1.6     | 84.0            | 48  | ✓     |
| 1.5 | 3600 | 143T  | 208-230/460 | GP100A | 1LE21111AA214AA3 |               | GPA2        | 1.9     | 87.5            | 45  | ✓     |
| 1.5 | 1800 | 145T  | 208-230/460 | GP100A | 1LE21111AB314AA3 |               | GPA2        | 2.1     | 87.5            | 48  | ✓     |
| 2   | 3600 | 145T  | 208-230/460 | GP100A | 1LE21111AA314AA3 |               | GPA2        | 2.6     | 88.5            | 45  | ✓     |
| 2   | 1800 | 145T  | 208-230/460 | GP100A | 1LE21111AB414AA3 |               | GPA2        | 2.8     | 87.5            | 48  | ✓     |
| 3   | 3600 | 182T  | 208-230/460 | GP100A | 1LE21111CA114AA3 |               | GPA2        | 3.8     | 89.5            | 71  | ✓     |
| 3   | 1800 | 182T  | 208-230/460 | GP100A | 1LE21111CB114AA3 |               | GPA2        | 4.0     | 90.2            | 75  | ✓     |
| 3   | 1200 | 213T  | 208-230/460 | GP100A | 1LE21112AC114AA3 |               | GPA2        | 4.3     | 90.2            | 110 | ✓     |
| 5   | 3600 | 184T  | 208-230/460 | GP100A | 1LE21111CA314AA3 |               | GPA2        | 6.2     | 90.2            | 73  | ✓     |
| 5   | 1800 | 184T  | 208-230/460 | GP100A | 1LE21111CB314AA3 |               | GPA2        | 6.7     | 90.2            | 79  | ✓     |
| 5   | 1200 | 215T  | 208-230/460 | GP100A | 1LE21112AC214AA3 |               | GPA2        | 7.0     | 90.2            | 123 | ✓     |
| 7.5 | 3600 | 213T  | 208-230/460 | GP100A | 1LE21112AA114AA3 |               | GPA2        | 8.5     | 91.7            | 130 | ✓     |
| 7.5 | 1800 | 213T  | 208-230/460 | GP100A | 1LE21112AB114AA3 |               | GPA2        | 9.5     | 92.4            | 137 | ✓     |
| 7.5 | 1200 | 254T  | 208-230/460 | GP100A | 1LE21112BC114AA3 |               | GPA2        | 10.5    | 92.4            | 244 | ✓     |
| 10  | 3600 | 215T  | 208-230/460 | GP100A | 1LE21112AA214AA3 |               | GPA2        | 11.5    | 91.7            | 135 | ✓     |
| 10  | 1800 | 215T  | 208-230/460 | GP100A | 1LE21112AB214AA3 |               | GPA2        | 12.5    | 92.4            | 144 | ✓     |
| 10  | 1200 | 256T  | 208-230/460 | GP100A | 1LE21112BC214AA3 |               | GPA2        | 13.5    | 92.4            | 245 | ✓     |
| 15  | 3600 | 254T  | 208-230/460 | GP100A | 1LE21112BA114AA3 |               | GPA2        | 17.0    | 92.4            | 218 | ✓     |
| 15  | 1800 | 254T  | 208-230/460 | GP100A | 1LE21112BB114AA3 |               | GPA2        | 19.0    | 93.0            | 207 | ✓     |
| 20  | 3600 | 256T  | 208-230/460 | GP100A | 1LE21112BA214AA3 |               | GPA2        | 22.5    | 92.4            | 241 | ✓     |
| 20  | 1800 | 256T  | 208-230/460 | GP100A | 1LE21112BB214AA3 |               | GPA2        | 25.0    | 93.6            | 248 | ✓     |

آتور صنعت  
ATOORSANAT



NEMA Premium® is a certification mark of the National Electrical Manufacturers Association.  
QuikMOD Delivery for stocked motors only.

Stock availability subject to change.  
Prices and Specifications are subject to change without notice.  
DOE#CC 032A

# SIMOTICS General purpose motors

GP100A (Aluminum frame)

NEMA Premium®

Die cast aluminum rotor

575V 60Hz – Foot mounted

| HP  | RPM  | Frame | Voltage | Type   | Part Number      | List Price \$ | Multi. Symb. | FL Amps | FL Nom Eff. (%) | Lbs | Stock |
|-----|------|-------|---------|--------|------------------|---------------|--------------|---------|-----------------|-----|-------|
| 1   | 3600 | 143T  | 575     | GP100A | 1LE21211AA113AA3 |               | GPA2         | 1.1     | 82.5            | 29  |       |
| 1   | 1800 | 143T  | 575     | GP100A | 1LE21211AB213AA3 |               | GPA2         | 1.1     | 85.5            | 41  |       |
| 1   | 1200 | 145T  | 575     | GP100A | 1LE21211AC313AA3 |               | GPA2         | 1.3     | 82.5            | 45  |       |
| 1.5 | 3600 | 143T  | 575     | GP100A | 1LE21211AA213AA3 |               | GPA2         | 1.6     | 84.0            | 35  |       |
| 1.5 | 1800 | 145T  | 575     | GP100A | 1LE21211AB313AA3 |               | GPA2         | 1.7     | 86.5            | 47  |       |
| 1.5 | 1200 | 182T  | 575     | GP100A | 1LE21211CC113AA3 |               | GPA2         | 1.9     | 87.5            | 63  |       |
| 2   | 3600 | 145T  | 575     | GP100A | 1LE21211AA313AA3 |               | GPA2         | 2.0     | 85.5            | 38  |       |
| 2   | 1800 | 145T  | 575     | GP100A | 1LE21211AB413AA3 |               | GPA2         | 2.2     | 86.5            | 46  |       |
| 2   | 1200 | 184T  | 575     | GP100A | 1LE21211CC313AA3 |               | GPA2         | 2.6     | 88.5            | 72  |       |
| 3   | 3600 | 182T  | 575     | GP100A | 1LE21211CA113AA3 |               | GPA2         | 3.0     | 86.5            | 57  |       |
| 3   | 1800 | 182T  | 575     | GP100A | 1LE21211CB113AA3 |               | GPA2         | 3.2     | 89.5            | 68  |       |
| 3   | 1200 | 213T  | 575     | GP100A | 1LE21212AC113AA3 |               | GPA2         | 3.4     | 89.5            | 104 |       |
| 5   | 3600 | 184T  | 575     | GP100A | 1LE21211CA313AA3 |               | GPA2         | 4.8     | 88.5            | 67  |       |
| 5   | 1800 | 184T  | 575     | GP100A | 1LE21211CB313AA3 |               | GPA2         | 5.2     | 89.5            | 74  |       |
| 5   | 1200 | 215T  | 575     | GP100A | 1LE21212AC213AA3 |               | GPA2         | 5.4     | 89.5            | 116 |       |
| 7.5 | 3600 | 213T  | 575     | GP100A | 1LE21212AA113AA3 |               | GPA2         | 7.0     | 89.5            | 100 |       |
| 7.5 | 1800 | 213T  | 575     | GP100A | 1LE21212AB113AA3 |               | GPA2         | 7.8     | 91.7            | 130 |       |
| 7.5 | 1200 | 254T  | 575     | GP100A | 1LE21212BC113AA3 |               | GPA2         | 8.0     | 91.0            | 200 |       |
| 10  | 3600 | 215T  | 575     | GP100A | 1LE21212AA213AA3 |               | GPA2         | 9.2     | 90.2            | 113 |       |
| 10  | 1800 | 215T  | 575     | GP100A | 1LE21212AB213AA3 |               | GPA2         | 10.0    | 91.7            | 136 |       |
| 10  | 1200 | 256T  | 575     | GP100A | 1LE21212BC213AA3 |               | GPA2         | 11.0    | 91.0            | 196 |       |
| 15  | 3600 | 254T  | 575     | GP100A | 1LE21212BA113AA3 |               | GPA2         | 14.0    | 91.0            | 196 |       |
| 15  | 1800 | 254T  | 575     | GP100A | 1LE21212BB113AA3 |               | GPA2         | 15.0    | 92.4            | 198 |       |
| 20  | 3600 | 256T  | 575     | GP100A | 1LE21212BA213AA3 |               | GPA2         | 18.0    | 91.0            | 231 |       |
| 20  | 1800 | 256T  | 575     | GP100A | 1LE21212BB213AA3 |               | GPA2         | 20.0    | 93.0            | 229 |       |

# SIMOTICS General purpose motors

## GP100A (Aluminum frame)

NEMA Premium®  
 Die cast aluminum rotor

575V 60Hz – C-face Foot mounted

| HP  | RPM  | Frame | Voltage | Type   | Part Number      | List price \$ | Multi. Symb. | FL amps | FL Nom Eff. (%) | Lbs | Stock |
|-----|------|-------|---------|--------|------------------|---------------|--------------|---------|-----------------|-----|-------|
| 1   | 3600 | 143TC | 575     | GP100A | 1LE21211AA113EA3 |               | GPA2         | 1.1     | 82.5            | 29  |       |
| 1   | 1800 | 143TC | 575     | GP100A | 1LE21211AB213EA3 |               | GPA2         | 1.1     | 85.5            | 41  |       |
| 1   | 1200 | 145TC | 575     | GP100A | 1LE21211AC313EA3 |               | GPA2         | 1.3     | 82.5            | 45  |       |
| 1.5 | 3600 | 143TC | 575     | GP100A | 1LE21211AA213EA3 |               | GPA2         | 1.6     | 84.0            | 35  |       |
| 1.5 | 1800 | 145TC | 575     | GP100A | 1LE21211AB313EA3 |               | GPA2         | 1.7     | 86.5            | 47  |       |
| 1.5 | 1200 | 182TC | 575     | GP100A | 1LE21211CC113EA3 |               | GPA2         | 1.9     | 87.5            | 63  |       |
| 2   | 3600 | 145TC | 575     | GP100A | 1LE21211AA313EA3 |               | GPA2         | 2.0     | 85.5            | 38  |       |
| 2   | 1800 | 145TC | 575     | GP100A | 1LE21211AB413EA3 |               | GPA2         | 2.2     | 86.5            | 46  |       |
| 2   | 1200 | 184TC | 575     | GP100A | 1LE21211CC313EA3 |               | GPA2         | 2.6     | 88.5            | 72  |       |
| 3   | 3600 | 182TC | 575     | GP100A | 1LE21211CA113EA3 |               | GPA2         | 3.0     | 86.5            | 57  |       |
| 3   | 1800 | 182TC | 575     | GP100A | 1LE21211CB113EA3 |               | GPA2         | 3.2     | 89.5            | 68  |       |
| 3   | 1200 | 213TC | 575     | GP100A | 1LE21212AC113EA3 |               | GPA2         | 3.4     | 89.5            | 104 |       |
| 5   | 3600 | 184TC | 575     | GP100A | 1LE21211CA313EA3 |               | GPA2         | 4.8     | 88.5            | 67  |       |
| 5   | 1800 | 184TC | 575     | GP100A | 1LE21211CB313EA3 |               | GPA2         | 5.2     | 89.5            | 74  |       |
| 5   | 1200 | 215TC | 575     | GP100A | 1LE21212AC213EA3 |               | GPA2         | 5.4     | 89.5            | 116 |       |
| 7.5 | 3600 | 213TC | 575     | GP100A | 1LE21212AA113EA3 |               | GPA2         | 7.0     | 89.5            | 100 |       |
| 7.5 | 1800 | 213TC | 575     | GP100A | 1LE21212AB113EA3 |               | GPA2         | 7.8     | 91.7            | 130 |       |
| 7.5 | 1200 | 254TC | 575     | GP100A | 1LE21212BC113EA3 |               | GPA2         | 8.0     | 91.0            | 200 |       |
| 10  | 3600 | 215TC | 575     | GP100A | 1LE21212AA213EA3 |               | GPA2         | 9.2     | 90.2            | 113 |       |
| 10  | 1800 | 215TC | 575     | GP100A | 1LE21212AB213EA3 |               | GPA2         | 10.0    | 91.7            | 136 |       |
| 10  | 1200 | 256TC | 575     | GP100A | 1LE21212BC213EA3 |               | GPA2         | 11.0    | 91.0            | 196 |       |
| 15  | 3600 | 254TC | 575     | GP100A | 1LE21212BA113EA3 |               | GPA2         | 14.0    | 91.0            | 196 |       |
| 15  | 1800 | 254TC | 575     | GP100A | 1LE21212BB113EA3 |               | GPA2         | 15.0    | 92.4            | 198 |       |
| 20  | 3600 | 256TC | 575     | GP100A | 1LE21212BA213EA3 |               | GPA2         | 18.0    | 91.0            | 231 |       |
| 20  | 1800 | 256TC | 575     | GP100A | 1LE21212BB213EA3 |               | GPA2         | 20.0    | 93.0            | 229 |       |

NEMA Premium® is a certification mark of the National Electrical Manufacturers Association.  
 QuikMOD Delivery for stocked motors only.

Stock availability subject to change.  
 Prices and Specifications are subject to change without notice.  
 DOE#CC 032A

# SIMOTICS General purpose motors

GP100A (Aluminum frame)

NEMA Premium®  
Die cast aluminum rotor

575V 60Hz – C-face Footless

| HP  | RPM  | Frame | Voltage | Type   | Part Number      | List price \$ | Multi. Symb. | FL amps | FL Nom Eff. (%) | Lbs | Stock |
|-----|------|-------|---------|--------|------------------|---------------|--------------|---------|-----------------|-----|-------|
| 1   | 3600 | 143TC | 575     | GP100A | 1LE21211AA113GA3 |               | GPA2         | 1.4     | 82.5            | 29  |       |
| 1   | 1800 | 143TC | 575     | GP100A | 1LE21211AB213GA3 |               | GPA2         | 1.4     | 85.5            | 41  |       |
| 1   | 1200 | 145TC | 575     | GP100A | 1LE21211AC313GA3 |               | GPA2         | 1.6     | 82.5            | 45  |       |
| 1.5 | 3600 | 143TC | 575     | GP100A | 1LE21211AA213GA3 |               | GPA2         | 2.0     | 84.0            | 35  |       |
| 1.5 | 1800 | 145TC | 575     | GP100A | 1LE21211AB313GA3 |               | GPA2         | 2.1     | 86.5            | 47  |       |
| 1.5 | 1200 | 182TC | 575     | GP100A | 1LE21211CC113GA3 |               | GPA2         | 2.4     | 87.5            | 63  |       |
| 2   | 3600 | 145TC | 575     | GP100A | 1LE21211AA313GA3 |               | GPA2         | 2.5     | 85.5            | 38  |       |
| 2   | 1800 | 145TC | 575     | GP100A | 1LE21211AB413GA3 |               | GPA2         | 2.8     | 86.5            | 46  |       |
| 2   | 1200 | 184TC | 575     | GP100A | 1LE21211CC313GA3 |               | GPA2         | 3.2     | 88.5            | 72  |       |
| 3   | 3600 | 182TC | 575     | GP100A | 1LE21211CA113GA3 |               | GPA2         | 3.8     | 86.5            | 57  |       |
| 3   | 1800 | 182TC | 575     | GP100A | 1LE21211CB113GA3 |               | GPA2         | 4.0     | 89.5            | 68  |       |
| 3   | 1200 | 213TC | 575     | GP100A | 1LE21212AC113GA3 |               | GPA2         | 4.3     | 89.5            | 104 |       |
| 5   | 3600 | 184TC | 575     | GP100A | 1LE21211CA313GA3 |               | GPA2         | 6.0     | 88.5            | 67  |       |
| 5   | 1800 | 184TC | 575     | GP100A | 1LE21211CB313GA3 |               | GPA2         | 6.5     | 89.5            | 74  |       |
| 5   | 1200 | 215TC | 575     | GP100A | 1LE21212AC213GA3 |               | GPA2         | 6.7     | 89.5            | 116 |       |
| 7.5 | 3600 | 213TC | 575     | GP100A | 1LE21212AA113GA3 |               | GPA2         | 8.8     | 89.5            | 100 |       |
| 7.5 | 1800 | 213TC | 575     | GP100A | 1LE21212AB113GA3 |               | GPA2         | 9.7     | 91.7            | 130 |       |
| 7.5 | 1200 | 254TC | 575     | GP100A | 1LE21212BC113GA3 |               | GPA2         | 10.0    | 91.0            | 200 |       |
| 10  | 3600 | 215TC | 575     | GP100A | 1LE21212AA213GA3 |               | GPA2         | 11.5    | 90.2            | 113 |       |
| 10  | 1800 | 215TC | 575     | GP100A | 1LE21212AB213GA3 |               | GPA2         | 12.5    | 91.7            | 136 |       |
| 10  | 1200 | 256TC | 575     | GP100A | 1LE21212BC213GA3 |               | GPA2         | 13.5    | 91.0            | 196 |       |
| 15  | 3600 | 254TC | 575     | GP100A | 1LE21212BA113GA3 |               | GPA2         | 17.5    | 91.0            | 196 |       |
| 15  | 1800 | 254TC | 575     | GP100A | 1LE21212BB113GA3 |               | GPA2         | 19.0    | 92.4            | 198 |       |
| 20  | 3600 | 256TC | 575     | GP100A | 1LE21212BA213GA3 |               | GPA2         | 22.5    | 91.0            | 231 |       |
| 20  | 1800 | 256TC | 575     | GP100A | 1LE21212BB213GA3 |               | GPA2         | 25.0    | 93.0            | 229 |       |

NEMA Premium® is a certification mark of the National Electrical Manufacturers Association.  
QuikMOD Delivery for stocked motors only.

Stock availability subject to change.  
Prices and Specifications are subject to change without notice.  
DOE#CC 032A

# Matched drive motor combination package

## Integrated drive systems – SINAMICS V20 and SIMOTICS GP100A

### RS485 / USS / MODBUS – Standard foot-mounted

| SIMOTICS GP100 A – 460V |      |       |      | SINAMICS V20 |      | Drive and Motor Package |               |
|-------------------------|------|-------|------|--------------|------|-------------------------|---------------|
| HP                      | RPM  | Frame | FLA  | Frame Size   | Amps | Part Number             | List price \$ |
| 1                       | 3600 | 143T  | 1.4  | A            | 2.2  | A6X30087689             |               |
| 1                       | 1800 | 143T  | 1.4  | A            | 2.2  | A6X30087690             |               |
| 1.5                     | 3600 | 143T  | 2.0  | A            | 3.1  | A6X30087731             |               |
| 1.5                     | 1800 | 145T  | 2.1  | A            | 3.1  | A6X30087733             |               |
| 2                       | 3600 | 145T  | 2.5  | A            | 4.1  | A6X30087734             |               |
| 2                       | 1800 | 145T  | 2.8  | A            | 4.1  | A6X30087735             |               |
| 3                       | 3600 | 182T  | 3.8  | A            | 4.8  | A6X30087739             |               |
| 3                       | 1800 | 182T  | 4.0  | A            | 4.8  | A6X30087741             |               |
| 5                       | 3600 | 184T  | 6.0  | B            | 8.24 | A6X30087771             |               |
| 5                       | 1800 | 184T  | 6.5  | B            | 8.24 | A6X30087772             |               |
| 7.5                     | 3600 | 213T  | 8.8  | C            | 11   | A6X30087773             |               |
| 7.5                     | 1800 | 213T  | 9.7  | C            | 11   | A6X30087774             |               |
| 10                      | 3600 | 215T  | 11.5 | D            | 16.5 | A6X30087775             |               |
| 10                      | 1800 | 215T  | 12.5 | D            | 16.5 | A6X30087776             |               |
| 15                      | 3600 | 254T  | 17.5 | D            | 21   | A6X30087777             |               |
| 15                      | 1800 | 254T  | 19.0 | D            | 21   | A6X30087778             |               |
| 20                      | 3600 | 256T  | 22.5 | D            | 31   | A6X30087779             |               |
| 20                      | 1800 | 256T  | 25.0 | D            | 31   | A6X30087780             |               |

### RS485 / USS / MODBUS – C-Flagged

| SIMOTICS GP100 A – 460V |      |       |      | SINAMICS V20 |      | Drive and motor package |               |
|-------------------------|------|-------|------|--------------|------|-------------------------|---------------|
| HP                      | RPM  | Frame | FLA  | Frame size   | Amps | Part number             | List price \$ |
| 1                       | 3600 | 143TC | 1.4  | A            | 2.2  | A6X30087781             |               |
| 1                       | 1800 | 143TC | 1.4  | A            | 2.2  | A6X30087782             |               |
| 1.5                     | 3600 | 143TC | 2    | A            | 3.1  | A6X30087783             |               |
| 1.5                     | 1800 | 145TC | 2.1  | A            | 3.1  | A6X30087784             |               |
| 2                       | 3600 | 145TC | 2.5  | A            | 4.1  | A6X30087785             |               |
| 2                       | 1800 | 145TC | 2.8  | A            | 4.1  | A6X30087786             |               |
| 3                       | 3600 | 182TC | 3.8  | A            | 4.8  | A6X30087787             |               |
| 3                       | 1800 | 182TC | 4    | A            | 4.8  | A6X30087788             |               |
| 5                       | 3600 | 184TC | 6    | B            | 8.24 | A6X30087789             |               |
| 5                       | 1800 | 184TC | 6.5  | B            | 8.24 | A6X30087790             |               |
| 7.5                     | 3600 | 213TC | 8.8  | C            | 11   | A6X30087801             |               |
| 7.5                     | 1800 | 213TC | 9.7  | C            | 11   | A6X30087802             |               |
| 10                      | 3600 | 215TC | 11.5 | D            | 16.5 | A6X30087803             |               |
| 10                      | 1800 | 215TC | 12.5 | D            | 16.5 | A6X30087804             |               |
| 15                      | 3600 | 254TC | 17.5 | D            | 21   | A6X30087805             |               |
| 15                      | 1800 | 254TC | 19   | D            | 21   | A6X30087806             |               |
| 20                      | 3600 | 256TC | 22.5 | D            | 31   | A6X30087807             |               |
| 20                      | 1800 | 256TC | 25   | D            | 31   | A6X30087808             |               |

### Accessories

| Part name  | Part number        | List price \$ |
|--|--------------------|---------------|
| SINAMICS Operator Panel Door Mounting Kit (with 3M Connection Cable) | 6SL3256-0VP00-0VA0 |               |
| SINAMICS V20 BOP Interface   | 6SL3255-0VA00-2AA0 |               |
| SINAMICS V20 Remote BOP  | 6SL3255-0VA00-4BA0 |               |

# SIMOTICS General purpose motors

## GP100A (Aluminum frame)

## Spare Parts

### C-Face Bearing Housing

| Frame | Motor Type | Part Number   | Description |        | List Price \$ |
|-------|------------|---------------|-------------|--------|---------------|
| 140T  | GP100A     | 3MSP220072801 | Cast iron   | C-Face |               |
| 180T  | GP100A     | 3MSP221072801 | Cast iron   | C-Face |               |
| 210T  | GP100A     | 3MSP222072801 | Cast iron   | C-Face |               |
| 250T  | GP100A     | 3MSP223072801 | Cast iron   | C-Face |               |

### D-Flange Bearing Housing

| Frame | Motor Type | Part Number   | Description |          | List Price \$ |
|-------|------------|---------------|-------------|----------|---------------|
| 140T  | GP100A     | 3MSP220072901 | Cast iron   | D-Flange |               |
| 180T  | GP100A     | 3MSP221072901 | Cast iron   | D-Flange |               |
| 210T  | GP100A     | 3MSP222072901 | Cast iron   | D-Flange |               |
| 250T  | GP100A     | 3MSP223072901 | Cast iron   | D-Flange |               |

### Bearings

| Frame | Motor Type | Part Number | Description |                                | List Price \$ |
|-------|------------|-------------|-------------|--------------------------------|---------------|
| 140T  | GP100A     | 51601983005 | DE/ODE      | Bearing, 6205 ZZ C3 25BC02JPP3 |               |
| 180T  | GP100A     | 51601983006 | DE/ODE      | Bearing, 6206 ZZ C3 30BC02JPP3 |               |
| 210T  | GP100A     | 51601983008 | DE/ODE      | Bearing, 6208 ZZ C3 40BC02JPP3 |               |
| 250T  | GP100A     | 51601983009 | DE/ODE      | Bearing, 6209 ZZ C3 45BC02JPP3 |               |

### Fan Housing

| Frame | Motor Type | Part Number     | Description   |             | List Price \$ |
|-------|------------|-----------------|---------------|-------------|---------------|
| 140T  | GP100A     | 50748014200000  | Polypropylene | Fan Housing |               |
| 140T  | GP100A     | 50748014200001  | Polypropylene | Fan Housing |               |
| 180T  | GP100A     | 50748018200000  | Polypropylene | Fan Housing |               |
| 210T  | GP100A     | 50748021200000B | Polypropylene | Fan Housing |               |
| 250T  | GP100A     | 50748025200000  | Polypropylene | Fan Housing |               |

|      |        |               |               |                            |  |
|------|--------|---------------|---------------|----------------------------|--|
| 140T | GP100A | 3MSP220081101 | Polypropylene | Fan Housing for Drip Cover |  |
| 140T | GP100A | 3MSP220081102 | Polypropylene | Fan Housing for Drip Cover |  |
| 180T | GP100A | 3MSP221081101 | Polypropylene | Fan Housing for Drip Cover |  |
| 210T | GP100A | 3MSP222081101 | Polypropylene | Fan Housing for Drip Cover |  |
| 250T | GP100A | 3MSP223081101 | Polypropylene | Fan Housing for Drip Cover |  |

# SIMOTICS General purpose motors

## GP100A (Aluminum frame)

### Spare Parts

#### Cooling Fan

| Frame | Motor Type | Part Number   | Description |             | List Price \$ |
|-------|------------|---------------|-------------|-------------|---------------|
| 140T  | GP100A     | 3MSG221079614 | 900RPM      | Cooling fan |               |
| 180T  | GP100A     | 3MSG221079612 | 900RPM      | Cooling fan |               |
| 210T  | GP100A     | 3MSG223079613 | 900RPM      | Cooling fan |               |
| 250T  | GP100A     | 3MSG223079611 | 900RPM      | Cooling fan |               |

| Frame | Motor Type | Part Number   | Description |             | List Price \$ |
|-------|------------|---------------|-------------|-------------|---------------|
| 140T  | GP100A     | 3MSG221079614 | 1200RPM     | Cooling fan |               |
| 180T  | GP100A     | 3MSG221079612 | 1200RPM     | Cooling fan |               |
| 210T  | GP100A     | 3MSG223079613 | 1200RPM     | Cooling fan |               |
| 250T  | GP100A     | 3MSG223079613 | 1200RPM     | Cooling fan |               |

| Frame | Motor Type | Part Number   | Description |             | List Price \$ |
|-------|------------|---------------|-------------|-------------|---------------|
| 140T  | GP100A     | 3MSG221079614 | 1800RPM     | Cooling fan |               |
| 180T  | GP100A     | 3MSG221079612 | 1800RPM     | Cooling fan |               |
| 210T  | GP100A     | 3MSG223079617 | 1800RPM     | Cooling fan |               |
| 250T  | GP100A     | 3MSG223079617 | 1800RPM     | Cooling fan |               |

| Frame | Motor Type | Part Number   | Description |             | List Price \$ |
|-------|------------|---------------|-------------|-------------|---------------|
| 140T  | GP100A     | 3MSG221079616 | 3600RPM     | Cooling fan |               |
| 180T  | GP100A     | 3MSG221079614 | 3600RPM     | Cooling fan |               |
| 210T  | GP100A     | 3MSG223079620 | 3600RPM     | Cooling fan |               |
| 250T  | GP100A     | 3MSG223079620 | 3600RPM     | Cooling fan |               |

#### Drip Cover

| Frame | Motor Type | Part Number   | Description |            | List Price \$ |
|-------|------------|---------------|-------------|------------|---------------|
| 140T  | GP100A     | 3MSP223080701 | Cast iron   | Drip cover |               |
| 180T  | GP100A     | 3MSP223080702 | Cast iron   | Drip cover |               |
| 210T  | GP100A     | 3MSP223080703 | Cast iron   | Drip cover |               |
| 250T  | GP100A     | 3MSP223080704 | Cast iron   | Drip cover |               |

#### Main Terminal Box

| Frame | Motor Type | Part Number   | Description   |             | List Price \$ |
|-------|------------|---------------|---------------|-------------|---------------|
| 140T  | GP100A     | 3MSG221082401 | Cast Aluminum | Conduit Box |               |
| 180T  | GP100A     | 3MSG221082401 | Cast Aluminum | Conduit Box |               |
| 210T  | GP100A     | 3MSG223082402 | Cast Aluminum | Conduit Box |               |
| 250T  | GP100A     | 3MSG223082401 | Cast Aluminum | Conduit Box |               |





# SIMOTICS General purpose motors

## GP100 (Cast iron frame)

**GP100** general purpose TEFC motors meet or exceed NEMA Premium® efficiency. With our exclusive, leading-edge, die cast copper frames (143T-256T), or our die cast aluminum (frames 143T-449T) rotor designs, these motors significantly reduce operating costs and pay for themselves in a short time through energy savings. These industry workhorses are ideal for use in pump, fan, compressor and may other industrial applications where toughness and reliability are required.



|                       |   |  |
|-----------------------|---|--|
| HP range              | Frame Size  | <b>1-200 HP</b><br>143T-449T   |
| Efficiency            | NEMA Premium® Plus<br>NEMA Premium®   | 143T-256T<br>143T-449T   |
| Voltage 1)            | 208-230 / 460 V<br>230 / 460 V<br>460 V<br>575V   | <b>3 phase 60Hz</b><br>1-20HP or up to 256T frame<br>15-75HP or up to 365T frame<br>100-200 HP<br>1-200HP    |
| Insulation            | Insulation Class F<br>Service Factor @ 40°C<br>Temperature rise (Sine wave)                     | <b>NEMA design B</b><br>NEMA MG1 Part 31<br>1.15<br>Class B @ 1.0SF<br>Class F @ 1.15SF                      |
| Frame                 | 8 hole feet<br>Condensation drains<br>High strength carbon steel Shaft<br>V ring slinger - IP54 | <b>Cast Iron</b><br>Casted<br>Drain holes Two on lowest point in frame<br>C1045<br>DE only                   |
| Stator/Windings rotor | Stator<br>Rotor, die cast copper<br>Rotor die cast aluminum                                     | Random wound copper<br>143T-256T<br>143T-449T  |
| Conduit box           | Die cast aluminum<br>Steel<br>Cast iron 2)<br>O-ring  | <b>Oversized</b><br>143T-256T<br>280T-400T<br>440T<br>143T-256T  |
| Bearings              | Double shielded<br>Single shielded<br>Bearing housing<br>Grease<br>Inlet / relief fittings      | 143T-256T<br>284T-449T<br>Cast iron<br>Polyurea base<br>Alemite / plug -FS440 (only)                         |
| Fan                   | Cover<br><br>Bidirectional fan  | Plastic 143T-256T<br>Sheet metal 284T-326T<br>Cast Iron 404T-449T<br>143T-449T Polypropylene                 |
| Hardware              | Nameplate<br>Lifting eyebolt<br>Paint   | <b>Rust resistant</b> Zinc plated<br>Aluminum engraved<br>Included above 75 Lbs.<br>Alkyd Modified - RAL7030 |
| Inverter duty         | Variable torque 20:1<br>Constant torque 10:1<br>Constant torque 4:1                             | 143T-256T<br>Copper Rotor 143T-256T<br>Aluminum rotor 143T-449T  |

NEMA Premium® is a certification mark of the National Electrical Manufacturers Association.

1) Standard voltage for stock items, see option selection and pricing section for additional voltages.

2) Available as an option for frames 284T-405T.

# SIMOTICS General purpose motors

GP100 (Cast iron frame)

NEMA Premium®

Die cast aluminum rotor

460V 60Hz – Foot mounted

| HP  | RPM  | Frame | Voltage     | Type  | Part Number      | List Price \$ | Mult. Symb. | FL Amps | FL Nom Eff. (%) | Lbs | Stock |
|-----|------|-------|-------------|-------|------------------|---------------|-------------|---------|-----------------|-----|-------|
| 1   | 3600 | 143T  | 208-230/460 | GP100 | 1LE22211AA114AA3 |               | GP2         | 1.4     | 82.5            | 60  | ✓     |
| 1   | 1800 | 143T  | 208-230/460 | GP100 | 1LE22211AB214AA3 |               | GP2         | 1.4     | 85.5            | 62  | ✓     |
| 1   | 1200 | 145T  | 208-230/460 | GP100 | 1LE22211AC314AA3 |               | GP2         | 1.6     | 82.5            | 64  | ✓     |
| 1   | 900  | 182T  | 208-230/460 | GP100 | 1LE22211CD114AA3 |               | GP2         | 2.1     | 74.0            | 86  | ✓     |
| 1.5 | 3600 | 143T  | 208-230/460 | GP100 | 1LE22211AA214AA3 |               | GP2         | 2.0     | 84.0            | 56  | ✓     |
| 1.5 | 1800 | 145T  | 208-230/460 | GP100 | 1LE22211AB314AA3 |               | GP2         | 2.1     | 86.5            | 66  | ✓     |
| 1.5 | 1200 | 182T  | 208-230/460 | GP100 | 1LE22211CC114AA3 |               | GP2         | 2.4     | 87.5            | 93  | ✓     |
| 1.5 | 900  | 184T  | 208-230/460 | GP100 | 1LE22211CD314AA3 |               | GP2         | 3.0     | 77.0            | 99  | ✓     |
| 2   | 3600 | 145T  | 208-230/460 | GP100 | 1LE22211AA314AA3 |               | GP2         | 2.5     | 85.5            | 59  | ✓     |
| 2   | 1800 | 145T  | 208-230/460 | GP100 | 1LE22211AB414AA3 |               | GP2         | 2.8     | 86.5            | 66  | ✓     |
| 2   | 1200 | 184T  | 208-230/460 | GP100 | 1LE22211CC314AA3 |               | GP2         | 3.2     | 88.5            | 102 | ✓     |
| 2   | 900  | 213T  | 208-230/460 | GP100 | 1LE22212AD114AA3 |               | GP2         | 3.3     | 82.5            | 123 | ✓     |
| 3   | 3600 | 182T  | 208-230/460 | GP100 | 1LE22211CA114AA3 |               | GP2         | 3.8     | 86.5            | 87  | ✓     |
| 3   | 1800 | 182T  | 208-230/460 | GP100 | 1LE22211CB114AA3 |               | GP2         | 4.0     | 89.5            | 98  | ✓     |
| 3   | 1200 | 213T  | 208-230/460 | GP100 | 1LE22212AC114AA3 |               | GP2         | 4.3     | 89.5            | 144 | ✓     |
| 3   | 900  | 215T  | 208-230/460 | GP100 | 1LE22212AD214AA3 |               | GP2         | 4.8     | 84.0            | 138 | ✓     |
| 5   | 3600 | 184T  | 208-230/460 | GP100 | 1LE22211CA314AA3 |               | GP2         | 6.0     | 88.5            | 98  | ✓     |
| 5   | 1800 | 184T  | 208-230/460 | GP100 | 1LE22211CB314AA3 |               | GP2         | 6.5     | 89.5            | 104 | ✓     |
| 5   | 1200 | 215T  | 208-230/460 | GP100 | 1LE22212AC214AA3 |               | GP2         | 6.7     | 89.5            | 156 | ✓     |
| 5   | 900  | 254T  | 208-230/460 | GP100 | 1LE22212BD114AA3 |               | GP2         | 8.8     | 85.5            | 218 | ✓     |
| 7.5 | 3600 | 213T  | 208-230/460 | GP100 | 1LE22212AA114AA3 |               | GP2         | 8.8     | 89.5            | 148 | ✓     |
| 7.5 | 1800 | 213T  | 208-230/460 | GP100 | 1LE22212AB114AA3 |               | GP2         | 9.7     | 91.7            | 171 | ✓     |
| 7.5 | 1200 | 254T  | 208-230/460 | GP100 | 1LE22212BC114AA3 |               | GP2         | 10.0    | 91.0            | 262 | ✓     |
| 7.5 | 900  | 256T  | 208-230/460 | GP100 | 1LE22212BD214AA3 |               | GP2         | 13.0    | 85.5            | 250 | ✓     |
| 10  | 3600 | 215T  | 208-230/460 | GP100 | 1LE22212AA214AA3 |               | GP2         | 11.5    | 90.2            | 163 | ✓     |
| 10  | 1800 | 215T  | 208-230/460 | GP100 | 1LE22212AB214AA3 |               | GP2         | 12.5    | 91.7            | 177 | ✓     |
| 10  | 1200 | 256T  | 208-230/460 | GP100 | 1LE22212BC214AA3 |               | GP2         | 13.5    | 91.0            | 259 | ✓     |
| 10  | 900  | 284T  | 230/460     | GP100 | 1LE22212CD116AA3 |               | GP2         | 17.0    | 90.2            | 414 |       |
| 15  | 3600 | 254T  | 208-230/460 | GP100 | 1LE22212BA114AA3 |               | GP2         | 17.5    | 91.0            | 258 | ✓     |
| 15  | 1800 | 254T  | 208-230/460 | GP100 | 1LE22212BB114AA3 |               | GP2         | 19.0    | 92.4            | 259 | ✓     |
| 15  | 1200 | 284T  | 230/460     | GP100 | 1LE22212CC116AA3 |               | GP2         | 21.0    | 91.7            | 409 | ✓     |
| 15  | 900  | 286T  | 230/460     | GP100 | 1LE22212CD216AA3 |               | GP2         | 23.0    | 91.0            | 459 |       |
| 20  | 3600 | 256T  | 208-230/460 | GP100 | 1LE22212BA214AA3 |               | GP2         | 22.5    | 91.0            | 293 | ✓     |
| 20  | 1800 | 256T  | 208-230/460 | GP100 | 1LE22212BB214AA3 |               | GP2         | 25.0    | 93.0            | 292 | ✓     |
| 20  | 1200 | 286T  | 230/460     | GP100 | 1LE22212CC216AA3 |               | GP2         | 27.0    | 91.7            | 434 | ✓     |
| 20  | 900  | 324T  | 230/460     | GP100 | 1LE22213AD116AA3 |               | GP2         | 32.0    | 91.0            | 616 |       |
| 25  | 3600 | 284TS | 230/460     | GP100 | 1LE22212DA116AA3 |               | GP2         | 29.0    | 91.7            | 454 | ✓     |
| 25  | 1800 | 284T  | 230/460     | GP100 | 1LE22212CB116AA3 |               | GP2         | 30.0    | 93.6            | 429 | ✓     |
| 25  | 1200 | 324T  | 230/460     | GP100 | 1LE22213AC116AA3 |               | GP2         | 33.0    | 93.0            | 633 | ✓     |
| 25  | 900  | 326T  | 230/460     | GP100 | 1LE22213AD216AA3 |               | GP2         | 40.0    | 91.0            | 663 |       |
| 30  | 3600 | 286TS | 230/460     | GP100 | 1LE22212DA216AA3 |               | GP2         | 34.0    | 91.7            | 424 | ✓     |
| 30  | 1800 | 286T  | 230/460     | GP100 | 1LE22212CB216AA3 |               | GP2         | 35.0    | 93.6            | 449 | ✓     |
| 30  | 1200 | 326T  | 230/460     | GP100 | 1LE22213AC216AA3 |               | GP2         | 39.0    | 93.0            | 658 | ✓     |
| 30  | 900  | 364T  | 230/460     | GP100 | 1LE22213CD116AA3 |               | GP2         | 47.0    | 91.7            | 854 |       |

NEMA Premium® is a certification mark of the National Electrical Manufacturers Association.  
QuikMOD Delivery for stocked motors only.

Stock availability subject to change.  
Prices and Specifications are subject to change without notice.  
DOE#CC 032A

# SIMOTICS General purpose motors

## GP100 (Cast iron frame)

## NEMA Premium®

## Die cast aluminum rotor

460V 60Hz – Foot mounted

| HP  | RPM  | Frame | Voltage | Type  | Part Number      | List Price \$ | Mult. Symb. | FL Amps | FL Nom Eff. (%) | Lbs  | Stock |
|-----|------|-------|---------|-------|------------------|---------------|-------------|---------|-----------------|------|-------|
| 40  | 3600 | 324TS | 230/460 | GP100 | 1LE22213BA116AA3 |               | GP2         | 45.0    | 93.6            | 608  | ✓     |
| 40  | 1800 | 324T  | 230/460 | GP100 | 1LE22213AB116AA3 |               | GP2         | 46.0    | 94.1            | 633  | ✓     |
| 40  | 1200 | 364T  | 230/460 | GP100 | 1LE22213CC116AA3 |               | GP2         | 49.0    | 94.1            | 828  | ✓     |
| 40  | 900  | 365T  | 230/460 | GP100 | 1LE22213CD216AA3 |               | GP2         | 63.0    | 91.7            | 950  |       |
| 50  | 3600 | 326TS | 230/460 | GP100 | 1LE22213BA216AA3 |               | GP2         | 55.0    | 93.6            | 593  |       |
| 50  | 1800 | 326T  | 230/460 | GP100 | 1LE22213AB216AA3 |               | GP2         | 58.0    | 94.5            | 668  |       |
| 50  | 1200 | 365T  | 230/460 | GP100 | 1LE22213CC216AA3 |               | GP2         | 62.0    | 94.1            | 863  |       |
| 60  | 3600 | 364TS | 230/460 | GP100 | 1LE22213DA116AA3 |               | GP2         | 68.0    | 93.6            | 780  |       |
| 60  | 1800 | 364T  | 230/460 | GP100 | 1LE22213CB116AA3 |               | GP2         | 68.0    | 95.0            | 880  |       |
| 60  | 1200 | 404T  | 230/460 | GP100 | 1LE22214AC116AA3 |               | GP2         | 74.0    | 94.5            | 1047 |       |
| 75  | 3600 | 365TS | 230/460 | GP100 | 1LE22213DA216AA3 |               | GP2         | 86.0    | 94.1            | 888  |       |
| 75  | 1800 | 365T  | 230/460 | GP100 | 1LE22213CB216AA3 |               | GP2         | 85.0    | 95.4            | 950  |       |
| 75  | 1200 | 405T  | 230/460 | GP100 | 1LE22214AC216AA3 |               | GP2         | 93.0    | 94.5            | 1117 |       |
| 100 | 3600 | 405TS | 460     | GP100 | 1LE22214BA212AA3 |               | GP2         | 108.0   | 94.1            | 1012 |       |
| 100 | 1800 | 405T  | 460     | GP100 | 1LE22214AB212AA3 |               | GP2         | 113.0   | 95.4            | 1107 |       |
| 100 | 1800 | 405TS | 460     | GP100 | 1LE22214BB212AA3 |               | GP2         | 113.0   | 95.4            | 1107 |       |
| 100 | 1200 | 444T  | 460     | GP100 | 1LE22214CC112AA3 |               | GP2         | 117.0   | 95.0            | 1531 |       |
| 100 | 1200 | 444TS | 460     | GP100 | 1LE22214DC112AA3 |               | GP2         | 117.0   | 95.0            | 1467 |       |
| 125 | 3600 | 444TS | 460     | GP100 | 1LE22214DA112AA3 |               | GP2         | 138.0   | 95.0            | 1381 |       |
| 125 | 1800 | 444T  | 460     | GP100 | 1LE22214CB112AA3 |               | GP2         | 143.0   | 95.4            | 1590 |       |
| 125 | 1800 | 444T  | 460     | GP100 | 1LE22214EB112AA3 |               | GP2         | 143.0   | 95.4            | 1552 |       |
| 125 | 1800 | 444TS | 460     | GP100 | 1LE22214DB112AA3 |               | GP2         | 143.0   | 95.4            | 1552 |       |
| 125 | 1200 | 445T  | 460     | GP100 | 1LE22214CC212AA3 |               | GP2         | 144.0   | 95.0            | 1702 |       |
| 125 | 1200 | 445T  | 460     | GP100 | 1LE22214EC212AA3 |               | GP2         | 144.0   | 95.0            | 1664 |       |
| 125 | 1200 | 445TS | 460     | GP100 | 1LE22214DC212AA3 |               | GP2         | 115.0   | 95.0            | 1647 |       |
| 150 | 3600 | 445TS | 460     | GP100 | 1LE22214DA212AA3 |               | GP2         | 131.0   | 95.0            | 1542 |       |
| 150 | 1800 | 445T  | 460     | GP100 | 1LE22214CB212AA3 |               | GP2         | 170.0   | 95.8            | 1865 |       |
| 150 | 1800 | 445T  | 460     | GP100 | 1LE22214EB212AA3 |               | GP2         | 170.0   | 95.8            | 1827 |       |
| 150 | 1800 | 445TS | 460     | GP100 | 1LE22214DB212AA3 |               | GP2         | 136.0   | 95.8            | 1637 |       |
| 150 | 1200 | 447T  | 460     | GP100 | 1LE22214CC312AA3 |               | GP2         | 172.0   | 95.8            | 1960 |       |
| 150 | 1200 | 447T  | 460     | GP100 | 1LE22214EC312AA3 |               | GP2         | 172.0   | 95.8            | 1922 |       |
| 150 | 1200 | 447TS | 460     | GP100 | 1LE22214DC312AA3 |               | GP2         | 138.0   | 95.8            | 1897 |       |
| 200 | 3600 | 447TS | 460     | GP100 | 1LE22214DA312AA3 |               | GP2         | 173.0   | 95.4            | 2182 |       |
| 200 | 1800 | 447T  | 460     | GP100 | 1LE22214CB312AA3 |               | GP2         | 228.0   | 96.2            | 2245 |       |
| 200 | 1800 | 447T  | 460     | GP100 | 1LE22214EB312AA3 |               | GP2         | 228.0   | 96.2            | 2207 |       |
| 200 | 1800 | 447TS | 460     | GP100 | 1LE22214DB312AA3 |               | GP2         | 182.0   | 96.2            | 2182 |       |
| 200 | 1200 | 449T  | 460     | GP100 | 1LE22214CC512AA3 |               | GP2         | 227.0   | 95.8            | 2301 |       |
| 200 | 1200 | 449T  | 460     | GP100 | 1LE22214EC512AA3 |               | GP2         | 227.0   | 95.8            | 2263 |       |
| 200 | 1200 | 449TS | 460     | GP100 | 1LE22214DC512AA3 |               | GP2         | 182.0   | 95.8            | 2240 |       |

NEMA Premium® is a certification mark of the National Electrical Manufacturers Association.  
 QuikMOD Delivery for stocked motors only.  
 Shaded ratings indicated roller bearings.

Stock availability subject to change.  
 900 RPM Motors meet or exceed EPA efficiency.  
 Prices and Specifications are subject to change without notice.  
 DOE#CC 032A

# SIMOTICS General purpose motors

GP100 (Cast iron frame)

NEMA Premium®  
Die cast aluminum rotor

460V 60Hz – C-face foot mounted

| HP  | RPM  | Frame | Voltage     | Type  | Part Number      | List Price \$ | Mult. Symb. | FL Amps | FL Nom. Eff.(%) | Lbs | Stock |
|-----|------|-------|-------------|-------|------------------|---------------|-------------|---------|-----------------|-----|-------|
| 1   | 3600 | 143TC | 208-230/460 | GP100 | 1LE22211AA114EA3 |               | GP2         | 1.4     | 82.5            | 60  | ✓     |
| 1   | 1800 | 143TC | 208-230/460 | GP100 | 1LE22211AB214EA3 |               | GP2         | 1.4     | 85.5            | 62  | ✓     |
| 1   | 1200 | 145TC | 208-230/460 | GP100 | 1LE22211AC314EA3 |               | GP2         | 1.6     | 82.5            | 64  | ✓     |
| 1   | 900  | 182TC | 208-230/460 | GP100 | 1LE22211CD114EA3 |               | GP2         | 2.1     | 74.0            | 86  | ✓     |
| 1.5 | 3600 | 143TC | 208-230/460 | GP100 | 1LE22211AA214EA3 |               | GP2         | 2.0     | 84.0            | 56  | ✓     |
| 1.5 | 1800 | 145TC | 208-230/460 | GP100 | 1LE22211AB314EA3 |               | GP2         | 2.1     | 86.5            | 66  | ✓     |
| 1.5 | 1200 | 182TC | 208-230/460 | GP100 | 1LE22211CC114EA3 |               | GP2         | 2.4     | 87.5            | 93  | ✓     |
| 1.5 | 900  | 184TC | 208-230/460 | GP100 | 1LE22211CD314EA3 |               | GP2         | 3.0     | 77.0            | 99  | ✓     |
| 2   | 3600 | 145TC | 208-230/460 | GP100 | 1LE22211AA314EA3 |               | GP2         | 2.5     | 85.5            | 59  | ✓     |
| 2   | 1800 | 145TC | 208-230/460 | GP100 | 1LE22211AB414EA3 |               | GP2         | 2.8     | 86.5            | 66  | ✓     |
| 2   | 1200 | 184TC | 208-230/460 | GP100 | 1LE22211CC314EA3 |               | GP2         | 3.2     | 88.5            | 102 | ✓     |
| 2   | 900  | 213TC | 208-230/460 | GP100 | 1LE22212AD114EA3 |               | GP2         | 3.3     | 82.5            | 123 | ✓     |
| 3   | 3600 | 182TC | 208-230/460 | GP100 | 1LE22211CA114EA3 |               | GP2         | 3.8     | 86.5            | 87  | ✓     |
| 3   | 1800 | 182TC | 208-230/460 | GP100 | 1LE22211CB114EA3 |               | GP2         | 4.0     | 89.5            | 98  | ✓     |
| 3   | 1200 | 213TC | 208-230/460 | GP100 | 1LE22212AC114EA3 |               | GP2         | 4.3     | 89.5            | 144 | ✓     |
| 3   | 900  | 215TC | 208-230/460 | GP100 | 1LE22212AD214EA3 |               | GP2         | 4.8     | 84.0            | 138 | ✓     |
| 5   | 3600 | 184TC | 208-230/460 | GP100 | 1LE22211CA314EA3 |               | GP2         | 6.0     | 88.5            | 98  | ✓     |
| 5   | 1800 | 184TC | 208-230/460 | GP100 | 1LE22211CB314EA3 |               | GP2         | 6.5     | 89.5            | 104 | ✓     |
| 5   | 1200 | 215TC | 208-230/460 | GP100 | 1LE22212AC214EA3 |               | GP2         | 6.7     | 89.5            | 156 | ✓     |
| 5   | 900  | 254TC | 208-230/460 | GP100 | 1LE22212BD114EA3 |               | GP2         | 8.8     | 85.5            | 218 | ✓     |
| 7.5 | 3600 | 213TC | 208-230/460 | GP100 | 1LE22212AA114EA3 |               | GP2         | 8.8     | 89.5            | 148 | ✓     |
| 7.5 | 1800 | 213TC | 208-230/460 | GP100 | 1LE22212AB114EA3 |               | GP2         | 9.7     | 91.7            | 171 | ✓     |
| 7.5 | 1200 | 254TC | 208-230/460 | GP100 | 1LE22212BC114EA3 |               | GP2         | 10.0    | 91.0            | 262 | ✓     |
| 7.5 | 900  | 256TC | 208-230/460 | GP100 | 1LE22212BD214EA3 |               | GP2         | 13.0    | 85.5            | 250 | ✓     |
| 10  | 3600 | 215TC | 208-230/460 | GP100 | 1LE22212AA214EA3 |               | GP2         | 11.5    | 90.2            | 163 | ✓     |
| 10  | 1800 | 215TC | 208-230/460 | GP100 | 1LE22212AB214EA3 |               | GP2         | 12.5    | 91.7            | 177 | ✓     |
| 10  | 1200 | 256TC | 208-230/460 | GP100 | 1LE22212BC214EA3 |               | GP2         | 13.5    | 91.0            | 259 | ✓     |
| 15  | 3600 | 254TC | 208-230/460 | GP100 | 1LE22212BA114EA3 |               | GP2         | 17.5    | 91.0            | 258 | ✓     |
| 15  | 1800 | 254TC | 208-230/460 | GP100 | 1LE22212BB114EA3 |               | GP2         | 19.0    | 92.4            | 259 | ✓     |
| 20  | 3600 | 256TC | 208-230/460 | GP100 | 1LE22212BA214EA3 |               | GP2         | 22.5    | 91.0            | 293 | ✓     |
| 20  | 1800 | 256TC | 208-230/460 | GP100 | 1LE22212BB214EA3 |               | GP2         | 25.0    | 93.0            | 292 | ✓     |

NEMA Premium® is a certification mark of the National Electrical Manufacturers Association.  
QuikMOD Delivery for stocked motors only.

Stock availability subject to change.  
Prices and Specifications are subject to change without notice.  
DOE#CC 032A

# SIMOTICS General purpose motors

## GP100 (Cast iron frame)

## NEMA Premium®

## Die cast aluminum rotor

460V 60Hz – C-face footless

| HP  | RPM  | Frame | Voltage     | Type  | Part Number      | List Price \$ | Mult. Symb. | FL Amps | FL Nom Eff. (%) | Lbs | Stock |
|-----|------|-------|-------------|-------|------------------|---------------|-------------|---------|-----------------|-----|-------|
| 1   | 3600 | 143TC | 208-230/460 | GP100 | 1LE22211AA114GA3 |               | GP2         | 1.4     | 82.5            | 60  | ✓     |
| 1   | 1800 | 143TC | 208-230/460 | GP100 | 1LE22211AB214GA3 |               | GP2         | 1.4     | 85.5            | 62  | ✓     |
| 1   | 1200 | 145TC | 208-230/460 | GP100 | 1LE22211AC314GA3 |               | GP2         | 1.6     | 82.5            | 64  | ✓     |
| 1   | 900  | 182TC | 208-230/460 | GP100 | 1LE22211CD114GA3 |               | GP2         | 2.1     | 74.0            | 86  | ✓     |
| 1.5 | 3600 | 143TC | 208-230/460 | GP100 | 1LE22211AA214GA3 |               | GP2         | 2.0     | 84.0            | 56  | ✓     |
| 1.5 | 1800 | 145TC | 208-230/460 | GP100 | 1LE22211AB314GA3 |               | GP2         | 2.1     | 86.5            | 66  | ✓     |
| 1.5 | 1200 | 182TC | 208-230/460 | GP100 | 1LE22211CC114GA3 |               | GP2         | 2.4     | 87.5            | 93  | ✓     |
| 1.5 | 900  | 184TC | 208-230/460 | GP100 | 1LE22211CD314GA3 |               | GP2         | 3.0     | 77.0            | 99  | ✓     |
| 2   | 3600 | 145TC | 208-230/460 | GP100 | 1LE22211AA314GA3 |               | GP2         | 2.5     | 85.5            | 59  | ✓     |
| 2   | 1800 | 145TC | 208-230/460 | GP100 | 1LE22211AB414GA3 |               | GP2         | 2.8     | 86.5            | 66  | ✓     |
| 2   | 1200 | 184TC | 208-230/460 | GP100 | 1LE22211CC314GA3 |               | GP2         | 3.2     | 88.5            | 102 | ✓     |
| 2   | 900  | 213TC | 208-230/460 | GP100 | 1LE22212AD114GA3 |               | GP2         | 3.3     | 82.5            | 123 | ✓     |
| 3   | 3600 | 182TC | 208-230/460 | GP100 | 1LE22211CA114GA3 |               | GP2         | 3.8     | 86.5            | 87  | ✓     |
| 3   | 1800 | 182TC | 208-230/460 | GP100 | 1LE22211CB114GA3 |               | GP2         | 4.0     | 89.5            | 98  | ✓     |
| 3   | 1200 | 213TC | 208-230/460 | GP100 | 1LE22212AC114GA3 |               | GP2         | 4.3     | 89.5            | 144 | ✓     |
| 3   | 900  | 215TC | 208-230/460 | GP100 | 1LE22212AD214GA3 |               | GP2         | 4.8     | 84.0            | 138 | ✓     |
| 5   | 3600 | 184TC | 208-230/460 | GP100 | 1LE22211CA314GA3 |               | GP2         | 6.0     | 88.5            | 98  | ✓     |
| 5   | 1800 | 184TC | 208-230/460 | GP100 | 1LE22211CB314GA3 |               | GP2         | 6.5     | 89.5            | 104 | ✓     |
| 5   | 1200 | 215TC | 208-230/460 | GP100 | 1LE22212AC214GA3 |               | GP2         | 6.7     | 89.5            | 156 | ✓     |
| 5   | 900  | 254TC | 208-230/460 | GP100 | 1LE22212BD114GA3 |               | GP2         | 8.8     | 85.5            | 218 | ✓     |
| 7.5 | 3600 | 213TC | 208-230/460 | GP100 | 1LE22212AA114GA3 |               | GP2         | 8.8     | 89.5            | 148 | ✓     |
| 7.5 | 1800 | 213TC | 208-230/460 | GP100 | 1LE22212AB114GA3 |               | GP2         | 9.7     | 91.7            | 171 | ✓     |
| 7.5 | 1200 | 254TC | 208-230/460 | GP100 | 1LE22212BC114GA3 |               | GP2         | 10.0    | 91.0            | 262 | ✓     |
| 7.5 | 900  | 256TC | 208-230/460 | GP100 | 1LE22212BD214GA3 |               | GP2         | 13.0    | 85.5            | 250 | ✓     |
| 10  | 3600 | 215TC | 208-230/460 | GP100 | 1LE22212AA214GA3 |               | GP2         | 11.5    | 90.2            | 163 | ✓     |
| 10  | 1800 | 215TC | 208-230/460 | GP100 | 1LE22212AB214GA3 |               | GP2         | 12.5    | 91.7            | 177 | ✓     |
| 10  | 1200 | 256TC | 208-230/460 | GP100 | 1LE22212BC214GA3 |               | GP2         | 13.5    | 91.0            | 259 | ✓     |
| 15  | 3600 | 254TC | 208-230/460 | GP100 | 1LE22212BA114GA3 |               | GP2         | 17.5    | 91.0            | 258 | ✓     |
| 15  | 1800 | 254TC | 208-230/460 | GP100 | 1LE22212BB114GA3 |               | GP2         | 19.0    | 92.4            | 259 | ✓     |
| 20  | 3600 | 256TC | 208-230/460 | GP100 | 1LE22212BA214GA3 |               | GP2         | 22.5    | 91.0            | 293 | ✓     |
| 20  | 1800 | 256TC | 208-230/460 | GP100 | 1LE22212BB214GA3 |               | GP2         | 25.0    | 93.0            | 292 | ✓     |

NEMA Premium® is a certification mark of the National Electrical Manufacturers Association.  
 QuikMOD Delivery for stocked motors only.

Stock availability subject to change.  
 Prices and Specifications are subject to change without notice.  
 DOE#CC 032A

# SIMOTICS General purpose motors

GP100 (Cast iron frame)

NEMA Premium®  
Die cast copper rotor

460V 60Hz – Foot mounted

| HP   | RPM  | Frame | Voltage     | Type  | Part Number      | List Price \$ | Mult. Symb. | FL Amps | FL Nom Eff. (%) | Lbs | Stock |
|------|------|-------|-------------|-------|------------------|---------------|-------------|---------|-----------------|-----|-------|
| 1    | 1800 | 143T  | 208-230/460 | GP100 | 1LE22111AB214AA3 |               | GP2         | 1.5     | 86.5            | 67  | ✓     |
| 1    | 1200 | 145T  | 208-230/460 | GP100 | 1LE22111AC314AA3 |               | GP2         | 1.6     | 84.0            | 67  | ✓     |
| 1.5  | 3600 | 143T  | 208-230/460 | GP100 | 1LE22111AA214AA3 |               | GP2         | 1.9     | 87.5            | 65  | ✓     |
| 1.5  | 1800 | 145T  | 208-230/460 | GP100 | 1LE22111AB314AA3 |               | GP2         | 2.1     | 87.5            | 67  | ✓     |
| 2.0  | 3600 | 145T  | 208-230/460 | GP100 | 1LE22111AA314AA3 |               | GP2         | 2.6     | 88.5            | 66  | ✓     |
| 2    | 1800 | 145T  | 208-230/460 | GP100 | 1LE22111AB414AA3 |               | GP2         | 2.8     | 87.5            | 68  | ✓     |
| 3    | 3600 | 182T  | 208-230/460 | GP100 | 1LE22111CA114AA3 |               | GP2         | 3.8     | 89.5            | 101 | ✓     |
| 3    | 1800 | 182T  | 208-230/460 | GP100 | 1LE22111CB114AA3 |               | GP2         | 4.0     | 90.2            | 105 | ✓     |
| 3    | 1200 | 213T  | 208-230/460 | GP100 | 1LE22112AC114AA3 |               | GP2         | 4.3     | 90.2            | 150 | ✓     |
| 5    | 3600 | 184T  | 208-230/460 | GP100 | 1LE22111CA314AA3 |               | GP2         | 6.2     | 90.2            | 103 | ✓     |
| 5    | 1800 | 184T  | 208-230/460 | GP100 | 1LE22111CB314AA3 |               | GP2         | 6.7     | 90.2            | 109 | ✓     |
| 5    | 1200 | 215T  | 208-230/460 | GP100 | 1LE22112AC214AA3 |               | GP2         | 7.0     | 90.2            | 163 | ✓     |
| 7.5  | 3600 | 213T  | 208-230/460 | GP100 | 1LE22112AA114AA3 |               | GP2         | 8.5     | 91.7            | 178 | ✓     |
| 7.5  | 1800 | 213T  | 208-230/460 | GP100 | 1LE22112AB114AA3 |               | GP2         | 9.5     | 92.4            | 178 | ✓     |
| 7.5  | 1200 | 254T  | 208-230/460 | GP100 | 1LE22112BC114AA3 |               | GP2         | 10.5    | 92.4            | 307 | ✓     |
| 10   | 3600 | 215T  | 208-230/460 | GP100 | 1LE22112AA214AA3 |               | GP2         | 11.5    | 91.7            | 185 | ✓     |
| 10.0 | 1800 | 215T  | 208-230/460 | GP100 | 1LE22112AB214AA3 |               | GP2         | 12.5    | 92.4            | 185 | ✓     |
| 10   | 1200 | 256T  | 208-230/460 | GP100 | 1LE22112BC214AA3 |               | GP2         | 13.5    | 92.4            | 307 | ✓     |
| 15   | 3600 | 254T  | 208-230/460 | GP100 | 1LE22112BA114AA3 |               | GP2         | 17.0    | 92.4            | 279 | ✓     |
| 15   | 1800 | 254T  | 208-230/460 | GP100 | 1LE22112BB114AA3 |               | GP2         | 19.0    | 93.0            | 268 | ✓     |
| 20   | 3600 | 256T  | 208-230/460 | GP100 | 1LE22112BA214AA3 |               | GP2         | 22.5    | 92.4            | 303 | ✓     |
| 20   | 1800 | 256T  | 208-230/460 | GP100 | 1LE22112BB214AA3 |               | GP2         | 25.0    | 93.6            | 311 | ✓     |

ATOORSANAT

# SIMOTICS General purpose motors

## GP100 (Cast iron frame)

NEMA Premium®  
Die cast copper rotor

### 460V 60Hz – C-face footless

| HP  | RPM  | Frame | Voltage     | Type  | Part Number      | List Price \$ | Mult. Symb. | FL Amps | FL Nom Eff. (%) | Lbs | Stock |
|-----|------|-------|-------------|-------|------------------|---------------|-------------|---------|-----------------|-----|-------|
| 1   | 1800 | 143TC | 208-230/460 | GP100 | 1LE22111AB214GA3 |               | GP2         | 1.5     | 86.5            | 67  | ✓     |
| 1   | 1200 | 145TC | 208-230/460 | GP100 | 1LE22111AC314GA3 |               | GP2         | 1.6     | 84.0            | 67  | ✓     |
| 1.5 | 3600 | 143TC | 208-230/460 | GP100 | 1LE22111AA214GA3 |               | GP2         | 1.9     | 87.5            | 65  | ✓     |
| 1.5 | 1800 | 145TC | 208-230/460 | GP100 | 1LE22111AB314GA3 |               | GP2         | 2.1     | 87.5            | 67  | ✓     |
| 2   | 3600 | 145TC | 208-230/460 | GP100 | 1LE22111AA314GA3 |               | GP2         | 2.6     | 88.5            | 66  | ✓     |
| 2   | 1800 | 145TC | 208-230/460 | GP100 | 1LE22111AB414GA3 |               | GP2         | 2.8     | 87.5            | 68  | ✓     |
| 3   | 3600 | 182TC | 208-230/460 | GP100 | 1LE22111CA114GA3 |               | GP2         | 3.8     | 89.5            | 101 | ✓     |
| 3   | 1800 | 182TC | 208-230/460 | GP100 | 1LE22111CB114GA3 |               | GP2         | 4.0     | 90.2            | 105 | ✓     |
| 3   | 1200 | 213TC | 208-230/460 | GP100 | 1LE22112AC114GA3 |               | GP2         | 4.3     | 90.2            | 150 | ✓     |
| 5   | 3600 | 184TC | 208-230/460 | GP100 | 1LE22111CA314GA3 |               | GP2         | 6.2     | 90.2            | 103 | ✓     |
| 5.0 | 1800 | 184TC | 208-230/460 | GP100 | 1LE22111CB314GA3 |               | GP2         | 6.7     | 90.2            | 109 | ✓     |
| 5   | 1200 | 215TC | 208-230/460 | GP100 | 1LE22112AC214GA3 |               | GP2         | 7.0     | 90.2            | 163 | ✓     |
| 7.5 | 3600 | 213TC | 208-230/460 | GP100 | 1LE22112AA114GA3 |               | GP2         | 8.5     | 91.7            | 178 | ✓     |
| 7.5 | 1800 | 213TC | 208-230/460 | GP100 | 1LE22112AB114GA3 |               | GP2         | 9.5     | 92.4            | 178 | ✓     |
| 7.5 | 1200 | 254TC | 208-230/460 | GP100 | 1LE22112BC114GA3 |               | GP2         | 10.5    | 92.4            | 307 | ✓     |
| 10  | 3600 | 215TC | 208-230/460 | GP100 | 1LE22112AA214GA3 |               | GP2         | 11.5    | 91.7            | 185 | ✓     |
| 10  | 1800 | 215TC | 208-230/460 | GP100 | 1LE22112AB214GA3 |               | GP2         | 12.5    | 92.4            | 185 | ✓     |
| 10  | 1200 | 256TC | 208-230/460 | GP100 | 1LE22112BC214GA3 |               | GP2         | 13.5    | 92.4            | 307 | ✓     |
| 15  | 3600 | 254TC | 208-230/460 | GP100 | 1LE22112BA114GA3 |               | GP2         | 17.0    | 92.4            | 279 | ✓     |
| 15  | 1800 | 254TC | 208-230/460 | GP100 | 1LE22112BB114GA3 |               | GP2         | 19.0    | 93.0            | 268 | ✓     |
| 20  | 3600 | 256TC | 208-230/460 | GP100 | 1LE22112BA214GA3 |               | GP2         | 22.5    | 92.4            | 303 | ✓     |
| 20  | 1800 | 256TC | 208-230/460 | GP100 | 1LE22112BB214GA3 |               | GP2         | 25.0    | 93.6            | 311 | ✓     |

ATOORSANAT

NEMA Premium® is a certification mark of the National Electrical Manufacturers Association.  
QuikMOD Delivery for stocked motors only.

Stock availability subject to change.  
Prices and Specifications are subject to change without notice.  
DOE#CC 032A

# SIMOTICS General purpose motors

GP100 (Cast iron frame)

NEMA Premium®  
Die cast aluminum rotor

575V 60Hz – Foot mounted

| HP  | RPM  | Frame | Voltage | Type  | Part Number      | List Price \$ | Mult. Symb. | FL Amps | FL Nom Eff. (%) | Lbs | Stock |
|-----|------|-------|---------|-------|------------------|---------------|-------------|---------|-----------------|-----|-------|
| 1   | 3600 | 143T  | 575     | GP100 | 1LE22211AA113AA3 |               | GP2         | 1.1     | 82.5            | 60  | ✓     |
| 1   | 1800 | 143T  | 575     | GP100 | 1LE22211AB213AA3 |               | GP2         | 1.1     | 85.5            | 62  | ✓     |
| 1   | 1200 | 145T  | 575     | GP100 | 1LE22211AC313AA3 |               | GP2         | 1.3     | 82.5            | 64  |       |
| 1   | 900  | 182T  | 575     | GP100 | 1LE22211CD113AA3 |               | GP2         | 2.1     | 74.0            | 86  |       |
| 1.5 | 3600 | 143T  | 575     | GP100 | 1LE22211AA213AA3 |               | GP2         | 1.6     | 84.0            | 56  | ✓     |
| 1.5 | 1800 | 145T  | 575     | GP100 | 1LE22211AB313AA3 |               | GP2         | 1.7     | 86.5            | 66  | ✓     |
| 1.5 | 1200 | 182T  | 575     | GP100 | 1LE22211CC113AA3 |               | GP2         | 1.9     | 87.5            | 93  |       |
| 1.5 | 900  | 184T  | 575     | GP100 | 1LE22211CD313AA3 |               | GP2         | 3.0     | 77.0            | 99  |       |
| 2   | 3600 | 145T  | 575     | GP100 | 1LE22211AA313AA3 |               | GP2         | 2.0     | 85.5            | 59  | ✓     |
| 2   | 1800 | 145T  | 575     | GP100 | 1LE22211AB413AA3 |               | GP2         | 2.2     | 86.5            | 66  | ✓     |
| 2   | 1200 | 184T  | 575     | GP100 | 1LE22211CC313AA3 |               | GP2         | 2.6     | 88.5            | 102 |       |
| 2   | 900  | 213T  | 575     | GP100 | 1LE22212AD113AA3 |               | GP2         | 3.3     | 82.5            | 123 |       |
| 3   | 3600 | 182T  | 575     | GP100 | 1LE22211CA113AA3 |               | GP2         | 3.0     | 86.5            | 87  | ✓     |
| 3   | 1800 | 182T  | 575     | GP100 | 1LE22211CB113AA3 |               | GP2         | 3.2     | 89.5            | 98  | ✓     |
| 3   | 1200 | 213T  | 575     | GP100 | 1LE22212AC113AA3 |               | GP2         | 3.4     | 89.5            | 144 |       |
| 3   | 900  | 215T  | 575     | GP100 | 1LE22212AD213AA3 |               | GP2         | 4.8     | 84.0            | 138 |       |
| 5   | 3600 | 184T  | 575     | GP100 | 1LE22211CA313AA3 |               | GP2         | 4.8     | 88.5            | 98  | ✓     |
| 5   | 1800 | 184T  | 575     | GP100 | 1LE22211CB313AA3 |               | GP2         | 5.2     | 89.5            | 104 | ✓     |
| 5   | 1200 | 215T  | 575     | GP100 | 1LE22212AC213AA3 |               | GP2         | 5.4     | 89.5            | 156 |       |
| 5   | 900  | 254T  | 575     | GP100 | 1LE22212BD113AA3 |               | GP2         | 8.8     | 85.5            | 218 |       |
| 7.5 | 3600 | 213T  | 575     | GP100 | 1LE22212AA113AA3 |               | GP2         | 7.0     | 89.5            | 148 | ✓     |
| 7.5 | 1800 | 213T  | 575     | GP100 | 1LE22212AB113AA3 |               | GP2         | 7.8     | 91.7            | 171 | ✓     |
| 7.5 | 1200 | 254T  | 575     | GP100 | 1LE22212BC113AA3 |               | GP2         | 8.0     | 91.0            | 262 |       |
| 7.5 | 900  | 256T  | 575     | GP100 | 1LE22212BD213AA3 |               | GP2         | 13.0    | 85.0            | 250 |       |
| 10  | 3600 | 215T  | 575     | GP100 | 1LE22212AA213AA3 |               | GP2         | 9.2     | 90.2            | 163 | ✓     |
| 10  | 1800 | 215T  | 575     | GP100 | 1LE22212AB213AA3 |               | GP2         | 10.0    | 91.7            | 177 | ✓     |
| 10  | 1200 | 256T  | 575     | GP100 | 1LE22212BC213AA3 |               | GP2         | 11.0    | 91.0            | 259 |       |
| 10  | 900  | 284T  | 575     | GP100 | 1LE22212CD113AA3 |               | GP2         | 14.0    | 90.2            | 414 |       |
| 15  | 3600 | 254T  | 575     | GP100 | 1LE22212BA113AA3 |               | GP2         | 14.0    | 91.0            | 258 | ✓     |
| 15  | 1800 | 254T  | 575     | GP100 | 1LE22212BB113AA3 |               | GP2         | 15.0    | 92.4            | 259 | ✓     |
| 15  | 1200 | 284T  | 575     | GP100 | 1LE22212CC113AA3 |               | GP2         | 17.0    | 91.7            | 409 |       |
| 15  | 900  | 286T  | 575     | GP100 | 1LE22212CD213AA3 |               | GP2         | 18.5    | 91.0            | 459 |       |
| 20  | 3600 | 256T  | 575     | GP100 | 1LE22212BA213AA3 |               | GP2         | 18.0    | 91.0            | 293 | ✓     |
| 20  | 1800 | 256T  | 575     | GP100 | 1LE22212BB213AA3 |               | GP2         | 20.0    | 93.0            | 292 | ✓     |
| 20  | 1200 | 286T  | 575     | GP100 | 1LE22212CC213AA3 |               | GP2         | 21.5    | 91.7            | 434 |       |
| 20  | 900  | 324T  | 575     | GP100 | 1LE22213AD113AA3 |               | GP2         | 25.0    | 91.0            | 616 |       |
| 25  | 3600 | 284TS | 575     | GP100 | 1LE22212DA113AA3 |               | GP2         | 23.0    | 91.7            | 454 | ✓     |
| 25  | 1800 | 284T  | 575     | GP100 | 1LE22212CB113AA3 |               | GP2         | 24.0    | 93.6            | 429 | ✓     |
| 25  | 1200 | 324T  | 575     | GP100 | 1LE22213AC113AA3 |               | GP2         | 26.0    | 93.0            | 633 |       |
| 25  | 900  | 326T  | 575     | GP100 | 1LE22213AD213AA3 |               | GP2         | 32.0    | 91.0            | 663 |       |
| 30  | 3600 | 286TS | 575     | GP100 | 1LE22212DA213AA3 |               | GP2         | 27.0    | 91.7            | 424 | ✓     |
| 30  | 1800 | 286T  | 575     | GP100 | 1LE22212CB213AA3 |               | GP2         | 28.0    | 93.6            | 449 | ✓     |
| 30  | 1200 | 326T  | 575     | GP100 | 1LE22213AC213AA3 |               | GP2         | 31.0    | 93.0            | 658 |       |
| 30  | 900  | 364T  | 575     | GP100 | 1LE22213CD113AA3 |               | GP2         | 37.5    | 91.0            | 854 |       |

NEMA Premium® is a certification mark of the National Electrical Manufacturers Association.  
QuikMOD Delivery for stocked motors only.

Stock availability subject to change.  
Prices and Specifications are subject to change without notice.  
DOE#CC032A



# SIMOTICS General purpose motors

## GP100 (Cast iron frame)

NEMA Premium®  
Die cast aluminum rotor

575V 60Hz – Foot mounted

| HP  | RPM  | Frame | Voltage | Type  | Part Number      | List Price \$ | Mult. Symb. | FL Amps | FL Nom Eff. (%) | Lbs  | Stock |
|-----|------|-------|---------|-------|------------------|---------------|-------------|---------|-----------------|------|-------|
| 40  | 3600 | 324TS | 575     | GP100 | 1LE22213BA113AA3 |               | GP2         | 36.0    | 93.6            | 608  | ✓     |
| 40  | 1800 | 324T  | 575     | GP100 | 1LE22213AB113AA3 |               | GP2         | 37.0    | 94.1            | 633  | ✓     |
| 40  | 1200 | 364T  | 575     | GP100 | 1LE22213CC113AA3 |               | GP2         | 39.0    | 94.1            | 828  |       |
| 40  | 900  | 365T  | 575     | GP100 | 1LE22213CD213AA3 |               | GP2         | 51.0    | 91.7            | 950  |       |
| 50  | 3600 | 326TS | 575     | GP100 | 1LE22213BA213AA3 |               | GP2         | 44.0    | 93.6            | 539  | ✓     |
| 50  | 1800 | 326T  | 575     | GP100 | 1LE22213AB213AA3 |               | GP2         | 46.0    | 94.5            | 668  | ✓     |
| 50  | 1200 | 365T  | 575     | GP100 | 1LE22213CC213AA3 |               | GP2         | 50.0    | 94.1            | 863  |       |
| 60  | 3600 | 364TS | 575     | GP100 | 1LE22213DA113AA3 |               | GP2         | 54.5    | 93.6            | 780  | ✓     |
| 60  | 1800 | 364T  | 575     | GP100 | 1LE22213CB113AA3 |               | GP2         | 54.5    | 95.0            | 880  | ✓     |
| 60  | 1200 | 404T  | 575     | GP100 | 1LE22214AC113AA3 |               | GP2         | 59.0    | 94.5            | 1047 |       |
| 75  | 3600 | 365TS | 575     | GP100 | 1LE22213DA213AA3 |               | GP2         | 69.0    | 94.1            | 888  | ✓     |
| 75  | 1800 | 365T  | 575     | GP100 | 1LE22213CB213AA3 |               | GP2         | 68.0    | 95.4            | 950  | ✓     |
| 75  | 1200 | 405T  | 575     | GP100 | 1LE22214AC213AA3 |               | GP2         | 75.0    | 94.5            | 1117 |       |
| 100 | 3600 | 405TS | 575     | GP100 | 1LE22214BA213AA3 |               | GP2         | 87.0    | 94.1            | 1012 | ✓     |
| 100 | 1800 | 405T  | 575     | GP100 | 1LE22214AB213AA3 |               | GP2         | 90.5    | 95.4            | 1107 | ✓     |
| 100 | 1200 | 444T  | 575     | GP100 | 1LE22214CC113AA3 |               | GP2         | 94.0    | 95.0            | 1531 |       |
| 125 | 3600 | 444TS | 575     | GP100 | 1LE22214DA113AA3 |               | GP2         | 110.0   | 95.0            | 1381 | ✓     |
| 125 | 1800 | 444T  | 575     | GP100 | 1LE22214CB113AA3 |               | GP2         | 115.0   | 95.4            | 1527 | ✓     |
| 125 | 1800 | 444T  | 575     | GP100 | 1LE22214EB113AA3 |               | GP2         | 115.0   | 95.4            | 1552 |       |
| 125 | 1800 | 444TS | 575     | GP100 | 1LE22214DB113AA3 |               | GP2         | 144.0   | 95.4            | 1527 |       |
| 125 | 1200 | 445T  | 575     | GP100 | 1LE22214CC213AA3 |               | GP2         | 115.0   | 95.0            | 1702 |       |
| 125 | 1200 | 445T  | 575     | GP100 | 1LE22214EC213AA3 |               | GP2         | 115.0   | 95.0            | 1664 |       |
| 125 | 1200 | 445TS | 575     | GP100 | 1LE22214DC213AA3 |               | GP2         | 164.0   | 95.0            | 1647 |       |
| 150 | 3600 | 445TS | 575     | GP100 | 1LE22214DA213AA3 |               | GP2         | 170.0   | 95.0            | 1542 |       |
| 150 | 1800 | 445T  | 575     | GP100 | 1LE22214CB213AA3 |               | GP2         | 136.0   | 95.8            | 1865 |       |
| 150 | 1800 | 445T  | 575     | GP100 | 1LE22214EB213AA3 |               | GP2         | 136.0   | 95.8            | 1827 |       |
| 150 | 1800 | 445TS | 575     | GP100 | 1LE22214DB213AA3 |               | GP2         | 172.0   | 95.8            | 1637 |       |
| 150 | 1200 | 447T  | 575     | GP100 | 1LE22214CC313AA3 |               | GP2         | 138.0   | 95.8            | 1960 |       |
| 150 | 1200 | 447T  | 575     | GP100 | 1LE22214EC313AA3 |               | GP2         | 138.0   | 95.8            | 1922 |       |
| 150 | 1200 | 447TS | 575     | GP100 | 1LE22214DC313AA3 |               | GP2         | 216.0   | 95.8            | 1867 |       |
| 200 | 3600 | 447TS | 575     | GP100 | 1LE22214DA313AA3 |               | GP2         | 228.0   | 95.4            | 2182 |       |
| 200 | 1800 | 447T  | 575     | GP100 | 1LE22214CB313AA3 |               | GP2         | 182.0   | 96.2            | 2245 |       |
| 200 | 1800 | 447T  | 575     | GP100 | 1LE22214EB313AA3 |               | GP2         | 182.0   | 96.2            | 2207 |       |
| 200 | 1800 | 447TS | 575     | GP100 | 1LE22214DB313AA3 |               | GP2         | 227.0   | 96.2            | 2182 |       |
| 200 | 1200 | 449T  | 575     | GP100 | 1LE22214CC513AA3 |               | GP2         | 182.0   | 95.8            | 2301 |       |
| 200 | 1200 | 449T  | 575     | GP100 | 1LE22214EC513AA3 |               | GP2         | 182.0   | 95.8            | 2263 |       |
| 200 | 1200 | 449TS | 575     | GP100 | 1LE22214DC513AA3 |               | GP2         | 182.0   | 95.8            | 2240 |       |

NEMA Premium® is a certification mark of the National Electrical Manufacturers Association.  
 QuikMOD Delivery for stocked motors only.  
 Stock availability subject to change.

Shaded ratings indicate roller bearings on DE.  
 900 RPM Motors meet or exceed EPA efficiency.  
 Prices and Specifications are subject to change without notice.  
 DOE#CC032A

# SIMOTICS General purpose motors

GP100 (Cast iron frame)

NEMA Premium®  
Die cast aluminum rotor

575V 60Hz – C-face foot mounted

| HP  | RPM  | Frame | Voltage | Type  | Part Number      | List Price \$ | Mult. Symb. | FL Amps | FL Nom Eff. (%) | Lbs | Stock |
|-----|------|-------|---------|-------|------------------|---------------|-------------|---------|-----------------|-----|-------|
| 1   | 3600 | 143TC | 575     | GP100 | 1LE22211AA113EA3 |               | GP2         | 1.1     | 82.5            | 60  |       |
| 1   | 1800 | 143TC | 575     | GP100 | 1LE22211AB213EA3 |               | GP2         | 1.1     | 85.5            | 62  |       |
| 1   | 1200 | 145TC | 575     | GP100 | 1LE22211AC313EA3 |               | GP2         | 1.3     | 82.5            | 64  |       |
| 1   | 900  | 182TC | 575     | GP100 | 1LE22211CD113EA3 |               | GP2         | 1.6     | 74.0            | 86  |       |
| 1.5 | 3600 | 143TC | 575     | GP100 | 1LE22211AA213EA3 |               | GP2         | 1.6     | 84.0            | 56  |       |
| 1.5 | 1800 | 145TC | 575     | GP100 | 1LE22211AB313EA3 |               | GP2         | 1.7     | 86.5            | 66  |       |
| 1.5 | 1200 | 182TC | 575     | GP100 | 1LE22211CC113EA3 |               | GP2         | 1.9     | 87.5            | 93  |       |
| 1.5 | 900  | 184TC | 575     | GP100 | 1LE22211CD313EA3 |               | GP2         | 2.4     | 77.0            | 99  |       |
| 2   | 3600 | 145TC | 575     | GP100 | 1LE22211AA313EA3 |               | GP2         | 2.0     | 85.5            | 59  |       |
| 2   | 1800 | 145TC | 575     | GP100 | 1LE22211AB413EA3 |               | GP2         | 2.2     | 86.5            | 66  |       |
| 2   | 1200 | 184TC | 575     | GP100 | 1LE22211CC313EA3 |               | GP2         | 2.6     | 88.5            | 102 |       |
| 2   | 900  | 213TC | 575     | GP100 | 1LE22212AD113EA3 |               | GP2         | 2.6     | 82.5            | 123 |       |
| 3   | 3600 | 182TC | 575     | GP100 | 1LE22211CA113EA3 |               | GP2         | 3.0     | 86.5            | 87  |       |
| 3   | 1800 | 182TC | 575     | GP100 | 1LE22211CB113EA3 |               | GP2         | 3.2     | 89.5            | 98  |       |
| 3   | 1200 | 213TC | 575     | GP100 | 1LE22212AC113EA3 |               | GP2         | 3.4     | 89.5            | 144 |       |
| 3   | 900  | 215TC | 575     | GP100 | 1LE22212AD213EA3 |               | GP2         | 3.8     | 84.0            | 138 |       |
| 5   | 3600 | 184TC | 575     | GP100 | 1LE22211CA313EA3 |               | GP2         | 4.8     | 88.5            | 98  |       |
| 5   | 1800 | 184TC | 575     | GP100 | 1LE22211CB313EA3 |               | GP2         | 5.2     | 89.5            | 104 |       |
| 5   | 1200 | 215TC | 575     | GP100 | 1LE22212AC213EA3 |               | GP2         | 5.4     | 89.5            | 156 |       |
| 5   | 900  | 254TC | 575     | GP100 | 1LE22212BD113EA3 |               | GP2         | 7.0     | 85.5            | 218 |       |
| 7.5 | 3600 | 213TC | 575     | GP100 | 1LE22212AA113EA3 |               | GP2         | 7.0     | 89.5            | 148 |       |
| 7.5 | 1800 | 213TC | 575     | GP100 | 1LE22212AB113EA3 |               | GP2         | 7.8     | 91.7            | 171 |       |
| 7.5 | 1200 | 254TC | 575     | GP100 | 1LE22212BC113EA3 |               | GP2         | 8.0     | 91.0            | 262 |       |
| 7.5 | 900  | 256TC | 575     | GP100 | 1LE22212BD213EA3 |               | GP2         | 10.4    | 85.5            | 250 |       |
| 10  | 3600 | 215TC | 575     | GP100 | 1LE22212AA213EA3 |               | GP2         | 9.2     | 90.2            | 163 |       |
| 10  | 1800 | 215TC | 575     | GP100 | 1LE22212AB213EA3 |               | GP2         | 10.0    | 91.7            | 177 |       |
| 10  | 1200 | 256TC | 575     | GP100 | 1LE22212BC213EA3 |               | GP2         | 11.0    | 91.0            | 259 |       |
| 15  | 3600 | 254TC | 575     | GP100 | 1LE22212BA113EA3 |               | GP2         | 14.0    | 91.0            | 258 |       |
| 15  | 1800 | 254TC | 575     | GP100 | 1LE22212BB113EA3 |               | GP2         | 15.0    | 92.4            | 259 |       |
| 20  | 3600 | 256TC | 575     | GP100 | 1LE22212BA213EA3 |               | GP2         | 18.0    | 91.0            | 293 |       |
| 20  | 1800 | 256TC | 575     | GP100 | 1LE22212BB213EA3 |               | GP2         | 20.0    | 93.0            | 292 |       |

NEMA Premium® is a certification mark of the National Electrical Manufacturers Association.  
QuikMOD Delivery for stocked motors only.

Stock availability subject to change.  
Prices and Specifications are subject to change without notice.  
DOE#CC032A

# SIMOTICS General purpose motors

## GP100 (Cast iron frame)

## NEMA Premium®

## Die cast aluminum rotor

575V 60Hz – C-face footless

| HP  | RPM  | Frame | Voltage | Type  | Part Number      | List Price \$ | Mult. Symb. | FL Amps | FL Nom Eff. (%) | Lbs | Stock |
|-----|------|-------|---------|-------|------------------|---------------|-------------|---------|-----------------|-----|-------|
| 1   | 3600 | 143TC | 575     | GP100 | 1LE22211AA113GA3 |               | GP2         | 1.1     | 82.5            | 60  |       |
| 1   | 1800 | 143TC | 575     | GP100 | 1LE22211AB213GA3 |               | GP2         | 1.1     | 85.5            | 62  |       |
| 1   | 1200 | 145TC | 575     | GP100 | 1LE22211AC313GA3 |               | GP2         | 1.3     | 82.5            | 64  |       |
| 1   | 900  | 182TC | 575     | GP100 | 1LE22211CD113GA3 |               | GP2         | 1.6     | 74.0            | 86  |       |
| 1.5 | 3600 | 143TC | 575     | GP100 | 1LE22211AA213GA3 |               | GP2         | 1.6     | 84.0            | 56  |       |
| 1.5 | 1800 | 145TC | 575     | GP100 | 1LE22211AB313GA3 |               | GP2         | 1.7     | 86.5            | 66  |       |
| 1.5 | 1200 | 182TC | 575     | GP100 | 1LE22211CC113GA3 |               | GP2         | 1.9     | 87.5            | 93  |       |
| 1.5 | 900  | 184TC | 575     | GP100 | 1LE22211CD313GA3 |               | GP2         | 2.4     | 77.0            | 99  |       |
| 2   | 3600 | 145TC | 575     | GP100 | 1LE22211AA313GA3 |               | GP2         | 2.0     | 85.5            | 59  |       |
| 2   | 1800 | 145TC | 575     | GP100 | 1LE22211AB413GA3 |               | GP2         | 2.2     | 86.5            | 66  |       |
| 2   | 1200 | 184TC | 575     | GP100 | 1LE22211CC313GA3 |               | GP2         | 2.6     | 88.5            | 102 |       |
| 2   | 900  | 213TC | 575     | GP100 | 1LE22212AD113GA3 |               | GP2         | 2.6     | 82.5            | 123 |       |
| 3   | 3600 | 182TC | 575     | GP100 | 1LE22211CA113GA3 |               | GP2         | 3.0     | 86.5            | 87  |       |
| 3   | 1800 | 182TC | 575     | GP100 | 1LE22211CB113GA3 |               | GP2         | 3.2     | 89.5            | 98  |       |
| 3   | 1200 | 213TC | 575     | GP100 | 1LE22212AC113GA3 |               | GP2         | 3.4     | 89.5            | 144 |       |
| 3   | 900  | 215TC | 575     | GP100 | 1LE22212AD213GA3 |               | GP2         | 3.8     | 84.0            | 138 |       |
| 5   | 3600 | 184TC | 575     | GP100 | 1LE22211CA313GA3 |               | GP2         | 4.8     | 88.5            | 98  |       |
| 5   | 1800 | 184TC | 575     | GP100 | 1LE22211CB313GA3 |               | GP2         | 5.2     | 89.5            | 104 |       |
| 5   | 1200 | 215TC | 575     | GP100 | 1LE22212AC213GA3 |               | GP2         | 5.4     | 89.5            | 156 |       |
| 5   | 900  | 254TC | 575     | GP100 | 1LE22212BD113GA3 |               | GP2         | 7.0     | 85.5            | 218 |       |
| 7.5 | 3600 | 213TC | 575     | GP100 | 1LE22212AA113GA3 |               | GP2         | 7.0     | 89.5            | 148 |       |
| 7.5 | 1800 | 213TC | 575     | GP100 | 1LE22212AB113GA3 |               | GP2         | 7.8     | 91.7            | 171 |       |
| 7.5 | 1200 | 254TC | 575     | GP100 | 1LE22212BC113GA3 |               | GP2         | 8.0     | 91.0            | 262 |       |
| 7.5 | 900  | 256TC | 575     | GP100 | 1LE22212BD213GA3 |               | GP2         | 10.4    | 85.5            | 250 |       |
| 10  | 3600 | 215TC | 575     | GP100 | 1LE22212AA213GA3 |               | GP2         | 9.2     | 90.2            | 163 |       |
| 10  | 1800 | 215TC | 575     | GP100 | 1LE22212AB213GA3 |               | GP2         | 10.0    | 91.7            | 177 |       |
| 10  | 1200 | 256TC | 575     | GP100 | 1LE22212BC213GA3 |               | GP2         | 11.0    | 91.0            | 259 |       |
| 15  | 3600 | 254TC | 575     | GP100 | 1LE22212BA113GA3 |               | GP2         | 14.0    | 91.0            | 258 |       |
| 15  | 1800 | 254TC | 575     | GP100 | 1LE22212BB113GA3 |               | GP2         | 15.0    | 92.4            | 259 |       |
| 20  | 3600 | 256TC | 575     | GP100 | 1LE22212BA213GA3 |               | GP2         | 18.0    | 91.0            | 293 |       |
| 20  | 1800 | 256TC | 575     | GP100 | 1LE22212BB213GA3 |               | GP2         | 20.0    | 93.0            | 292 |       |

NEMA Premium® is a certification mark of the National Electrical Manufacturers Association.  
 QuikMOD Delivery for stocked motors only.  
 Stock availability subject to change.

900 RPM Motors meet or exceed EPC efficiency.  
 Prices and Specifications are subject to change without notice.  
 DOE#CC032A

# SIMOTICS General purpose motors

## GP100 (Cast Iron frame)

## Spare Parts

### C-Face Bearing Housing

| Frame          | Motor Type | Part Number   | Description |        | List Price \$ |
|----------------|------------|---------------|-------------|--------|---------------|
| 140TC          | GP100      | 3MSP220072801 | Cast iron   | C-Face |               |
| 180TC          | GP100      | 3MSP221072801 | Cast iron   | C-Face |               |
| 210TC          | GP100      | 3MSP222072801 | Cast iron   | C-Face |               |
| 250TC          | GP100      | 3MSP223072801 | Cast iron   | C-Face |               |
| 280TC          | GP100      | 3MSP710111201 | Cast Iron   | C-Face |               |
| 320TC          | GP100      | 3MSP720111201 | Cast Iron   | C-Face |               |
| 360TC          | GP100      | 3MSP730111201 | Cast Iron   | C-Face |               |
| 400TC          | GP100      | 51905869002   | Cast Iron   | C-Face |               |
| 444TC; 445TC   | GP100      | 51905923005   | Cast Iron   | C-Face |               |
| 444TSC; 445TSC | GP100      | 51905923002   | Cast Iron   | C-Face |               |

### D-Flange Bearing Housing

| Frame          | Motor Type | Part Number   | Description |          | List Price \$ |
|----------------|------------|---------------|-------------|----------|---------------|
| 140T           | GP100      | 3MSP220072901 | Cast iron   | D-Flange |               |
| 180T           | GP100      | 3MSP221072901 | Cast iron   | D-Flange |               |
| 210T           | GP100      | 3MSP222072901 | Cast iron   | D-Flange |               |
| 250T           | GP100      | 3MSP223072901 | Cast iron   | D-Flange |               |
| 280T           | GP100      | 3MSP710111501 | Cast iron   | D-Flange |               |
| 320T           | GP100      | 3MSP720111501 | Cast iron   | D-Flange |               |
| 360T           | GP100      | 3MSP730111501 | Cast iron   | D-Flange |               |
| 400T           | GP100      | 51905870002   | Cast iron   | D-Flange |               |
| 444TD; 445TD   | GP100      | 51905933004   | Cast iron   | D-Flange |               |
| 444TSD; 445TSD | GP100      | 51905933003   | Cast iron   | D-Flange |               |

### Bearings

| Frame                      | Motor Type | Part Number | Description |                                | List Price \$ |
|----------------------------|------------|-------------|-------------|--------------------------------|---------------|
| 140T                       | GP100      | 51601983005 | DE/ODE      | Bearing, 6205 ZZ C3 25BC02JPP3 |               |
| 180T                       | GP100      | 51601983006 | DE/ODE      | Bearing, 6206 ZZ C3 30BC02JPP3 |               |
| 210T                       | GP100      | 51601983008 | DE/ODE      | Bearing, 6208 ZZ C3 40BC02JPP3 |               |
| 250T                       | GP100      | 51601983009 | DE/ODE      | Bearing, 6209 ZZ C3 45BC02JPP3 |               |
| 280T                       | GP100      | 51380865010 | DE          | Bearing, 6310 Z C3 50BC03JP3   |               |
| 280T                       | GP100      | 51601983010 | ODE         | Bearing, 6210 Z C3 50BC02JP3   |               |
| 320T                       | GP100      | 51380865012 | DE          | Bearing, 6312 Z C3 60BC03JP3   |               |
| 320T                       | GP100      | 51601983010 | ODE         | Bearing, 6210 Z C3 50BC02JP3   |               |
| 360T                       | GP100      | 51380865014 | DE.         | Bearing, 6314 Z C3 70BC03JP3   |               |
| 360T                       | GP100      | 51601983014 | ODE         | Bearing, 6214 Z C3 70BC02JP3   |               |
| 400T                       | GP100      | 51380865016 | DE          | Bearing, 6316 Z C3 80BC03JP3   |               |
| 400T                       | GP100      | 51601983014 | ODE         | Bearing, 6214 Z C3 70BC02JP3   |               |
| B440T (TC/TD)              | GP100      | 51380865018 | DE          | Bearing, 6318 Z C3 90BC03JP3   |               |
| 444T; 445T (NU)            | GP100      | 51674954018 | DE          | Bearing, NU 318 C3 90RU03M0    |               |
| 447T; 449T (NU)            | GP100      | 51674954020 | DE          | Bearing, NU 320 C3 100RU03M0   |               |
| 440T (TC/TD);<br>440T (NU) | GP100      | 51601983016 | ODE         | Bearing, 6216 ZZ C3 80BC02JPP3 |               |
| 440TS (TSC/TSD)            | GP100      | 51380865016 | DE/ODE      | Bearing, 6316 Z C3 80BC03JP3   |               |

# SIMOTICS General purpose motors

## GP100 (Cast Iron frame)

## Spare Parts

### Fan Housing

| Frame | Motor Type | Part Number     | Description   |                               | List Price \$ |
|-------|------------|-----------------|---------------|-------------------------------|---------------|
| 140T  | GP100      | 50748014200001  | Polypropylene | Fan Housing                   |               |
| 180T  | GP100      | 50748018200000B | Polypropylene | Fan Housing                   |               |
| 210T  | GP100      | 50748021200000  | Polypropylene | Fan Housing                   |               |
| 250T  | GP100      | 50748025200000  | Polypropylene | Fan Housing                   |               |
| 280T  | GP100      | 3MSP710114901   | Cast Iron     | Fan Housing                   |               |
| 320T  | GP100      | 3MSP720114901   | Cast Iron     | Fan Housing                   |               |
| 360T  | GP100      | 3MSP730114901   | Cast Iron     | Fan Housing                   |               |
| 360T  | GP100      | 51816825001     | Cast Iron     | Grid                          |               |
| 400T  | GP100      | 51816819001     | Cast Iron     | Fan Housing                   |               |
| 400T  | GP100      | 51816825001     | Cast Iron     | Grid                          |               |
| 440T  | GP100      | 51817031002     | Cast Iron     | Fan Housing (Drip Cov. ready) |               |
| 440T  | GP100      | 51817046001     | Cast Iron     | Grid                          |               |

|      |       |                   |               |                            |  |
|------|-------|-------------------|---------------|----------------------------|--|
| 140T | GP100 | 3MSP220081101     | Polypropylene | Fan Housing for Drip Cover |  |
| 180T | GP100 | 3MSP221081101     | Polypropylene | Fan Housing for Drip Cover |  |
| 210T | GP100 | 3MSP222081101     | Polypropylene | Fan Housing for Drip Cover |  |
| 250T | GP100 | 3MSP223081101     | Polypropylene | Fan Housing for Drip Cover |  |
| 280T | GP100 | US2:2MSP710114902 | Cast Iron     | Fan Housing for Drip Cover |  |
| 320T | GP100 | US2:2MSP720114902 | Cast Iron     | Fan Housing for Drip Cover |  |

### Cooling Fan

| Frame     | Motor Type | Part Number   | Description |             | List Price \$ |
|-----------|------------|---------------|-------------|-------------|---------------|
| 140T      | GP100      | 3MSG221079614 | 900RPM      | Cooling Fan |               |
| 180T      | GP100      | 3MSG221079612 | 900RPM      | Cooling Fan |               |
| 210T      | GP100      | 3MSG223079613 | 900RPM      | Cooling Fan |               |
| 250T      | GP100      | 3MSG223079611 | 900RPM      | Cooling Fan |               |
| 280T      | GP100      | 51817700002   | 900RPM      | Cooling Fan |               |
| 320T      | GP100      | 51817700001   | 900RPM      | Cooling Fan |               |
| 360T      | GP100      | 51816861002   | 900RPM      | Cooling Fan |               |
| 400T      | GP100      | 51816861002   | 900RPM      | Cooling Fan |               |
| 444T,445T | GP100      | 51816861001   | 900RPM      | Cooling Fan |               |
| 447T      | GP100      | 51816861001   | 900RPM      | Cooling Fan |               |

|           |       |               |         |             |  |
|-----------|-------|---------------|---------|-------------|--|
| 140T      | GP100 | 3MSG221079614 | 1200RPM | Cooling Fan |  |
| 180T      | GP100 | 3MSG221079612 | 1200RPM | Cooling Fan |  |
| 210T      | GP100 | 3MSG223079613 | 1200RPM | Cooling Fan |  |
| 250T      | GP100 | 3MSG223079613 | 1200RPM | Cooling Fan |  |
| 280T      | GP100 | 51817700005   | 1200RPM | Cooling Fan |  |
| 320T      | GP100 | 51817700003   | 1200RPM | Cooling Fan |  |
| 360T      | GP100 | 51816861004   | 1200RPM | Cooling Fan |  |
| 400T      | GP100 | 51816861002   | 1200RPM | Cooling Fan |  |
| 444T,445T | GP100 | 51816861002   | 1200RPM | Cooling Fan |  |
| 447T      | GP100 | 51816861002   | 1200RPM | Cooling Fan |  |

# SIMOTICS General purpose motors

## GP100A (Cast Iron frame)

## Spare Parts

### Cooling Fan

| Frame     | Motor Type | Part Number   | Description |             | List Price \$ |
|-----------|------------|---------------|-------------|-------------|---------------|
| 140T      | GP100      | 3MSG221079614 | 1800RPM     | Cooling Fan |               |
| 180T      | GP100      | 3MSG221079612 | 1800RPM     | Cooling Fan |               |
| 210T      | GP100      | 3MSG223079617 | 1800RPM     | Cooling Fan |               |
| 250T      | GP100      | 3MSG223079617 | 1800RPM     | Cooling Fan |               |
| 280T      | GP100      | 51817700006   | 1800RPM     | Cooling Fan |               |
| 320T      | GP100      | 51817700005   | 1800RPM     | Cooling Fan |               |
| 360T      | GP100      | 51816861005   | 1800RPM     | Cooling Fan |               |
| 400T      | GP100      | 51816861004   | 1800RPM     | Cooling Fan |               |
| 444T,445T | GP100      | 51816861003   | 1800RPM     | Cooling Fan |               |
| 447T      | GP100      | 51816861003   | 1800RPM     | Cooling Fan |               |
| 140T      | GP100      | 3MSG221079616 | 3600RPM     | Cooling Fan |               |
| 180T      | GP100      | 3MSG221079614 | 3600RPM     | Cooling Fan |               |
| 210T      | GP100      | 3MSG223079620 | 3600RPM     | Cooling Fan |               |
| 250T      | GP100      | 3MSG223079620 | 3600RPM     | Cooling Fan |               |
| 280T      | GP100      | 51817700007   | 3600RPM     | Cooling Fan |               |
| 320T      | GP100      | 51817700006   | 3600RPM     | Cooling Fan |               |
| 360T      | GP100      | 51816861005   | 3600RPM     | Cooling Fan |               |
| 400T      | GP100      | 51816861005   | 3600RPM     | Cooling Fan |               |
| 444T,445T | GP100      | 51816861005   | 3600RPM     | Cooling Fan |               |
| 447T      | GP100      | 51816861004   | 3600RPM     | Cooling Fan |               |

### Drip Cover

| Frame | Motor Type | Part Number   | Description |            | List Price \$ |
|-------|------------|---------------|-------------|------------|---------------|
| 140T  | GP100      | 3MSP223080701 | Cast iron   | Drip Cover |               |
| 180T  | GP100      | 3MSP223080702 | Cast iron   | Drip Cover |               |
| 210T  | GP100      | 3MSP223080703 | Cast iron   | Drip Cover |               |
| 250T  | GP100      | 3MSP223080704 | Cast iron   | Drip Cover |               |
| 280T  | GP100      | 51770675004   | Cast iron   | Drip Cover |               |
| 320T  | GP100      | 51770675003   | Cast iron   | Drip Cover |               |
| 360T  | GP100      | 51770675001   | Cast iron   | Drip Cover |               |
| 400T  | GP100      | 51770675001   | Cast iron   | Drip Cover |               |
| 440T  | GP100      | 51770675002   | Cast iron   | Drip Cover |               |

### Main Terminal Box

| Frame | Motor Type | Part Number       | Description   |             | List Price \$ |
|-------|------------|-------------------|---------------|-------------|---------------|
| 140T  | GP100      | 3MSG221082501     | Cast aluminum | Conduit Box |               |
| 180T  | GP100      | 3MSG221082501     | Cast aluminum | Conduit Box |               |
| 210T  | GP100      | 3MSG223082502     | Cast aluminum | Conduit Box |               |
| 250T  | GP100      | 3MSG223082501     | Cast aluminum | Conduit Box |               |
| 280T  | GP100      | US2:3MSG710132001 | Stamped Steel | Conduit Box |               |
| 320T  | GP100      | US2:3MSG710132001 | Stamped Steel | Conduit Box |               |
| 360T  | GP100      | US2:3MSG730132001 | Stamped Steel | Conduit Box |               |
| 400T  | GP100      | US2:3MSG730132001 | Stamped Steel | Conduit Box |               |
| 440T  | GP100      | 67372011000500    | Cast Iron     | Conduit Box |               |

# SIMOTICS Severe duty motors

## SD100 (Cast iron frame)

SD100 general purpose TEFC motors meet or exceed NEMA Premium® efficiency. With our exclusive, leading-edge, die cast copper frames (143T-256T), or our die cast aluminum (frames 143T-449T) rotor designs, these motors significantly reduce operating costs and pay for themselves in a short time through energy savings. These motors are ideal for use in chemical processing, mining, foundry, pulp and paper, waste management and petrochemical applications.



|                          |  |   |
|--------------------------|--|---|
| HP range                 | Frame Size   | <b>1-400 HP</b><br>143T-S449  |
| Efficiency               | NEMA Premium® Plus<br>NEMA Premium®  | 143T-256T<br>143T-S449  |
| Voltage <sup>1)</sup>    | 208-230 / 460 V<br>230 / 460 V<br>460 V<br>575V  | <b>3 phase 60Hz</b><br>1-20HP<br>1-20HP <sup>2)</sup><br>15-400 HP<br>1-400HP   |
| Insulation               | Insulation Class F<br>Service Factor @ 40°C<br>Temperature rise (Sine wave)  | <b>NEMA design B <sup>3)</sup></b><br>NEMA MG1 Part 31<br>1.15<br>Class B @ 1.0SF<br>Class F @ 1.15SF   |
| Frame                    | 8 hole feet<br>Condensation drains<br>High strength carbon steel Shaft<br>V ring slinger - IP54<br>Bearing Isolator <sup>6)</sup> - IP55 | <b>Cast iron</b><br>Casted<br>Drains Two on lowest point in frame<br>C1045<br>DE & NDE<br><sup>4)</sup> 143T-S449   |
| Stator/Windings rotor    | Stator<br>Rotor, die cast copper<br>Rotor, die cast aluminum   | Random wound copper<br>143T-256T<br>143T-S449   |
| Conduit box              | Cast iron<br>O-ring  | <b>Oversized</b><br>143T-S449<br>143T-S449  |
| Bearings                 | Double shielded<br>Single shielded<br>Bearing housing<br>Grease<br>Inlet / relief fittings   | 143T-256T,S449<br>284T-449<br>Cast iron Bearing caps<br>Polyurea base<br>Alemite / plug   |
| Fan                      | Cover<br>Bidirectional fan<br><br>Uni-directional fan  | Cast Iron -143T-S449<br>143T-449T Polypropylene<br>Bronze S449<br>2 Pole - 350-400HP  |
| Hardware                 | Nameplate<br>Lifting eyebolt<br>Paint  | <b>Rust resistant</b> Zinc plated<br>Stainless steel engraved<br>Included above 75 Lbs.<br>Alkyd Modified -RAL7030  |
| Inverter duty            | Variable torque 20:1<br>Constant torque 20:1<br>Constant torque 10:1<br>Constant torque 6:1<br>Constant torque 4:1                       | 143T-S449<br>4-Pole 143T-365T Al & Cu rotor<br>Cu rotor 143T-256T & 4 Pole Al rotor 404T-445T <sup>3)</sup><br>4 Pole Al rotor 447T 3)<br>2, 6, 8 Pole Al rotor 143T-449T |
| Hazardous classification | Service factor<br>Service factor 1.15  | <sup>5)</sup> CSA - 143-S449 (40°C)<br>Class I, Division 2, T3 temperature<br>code 449-S449 T2D   |

NEMA Premium® is a certification mark of the National Electrical Manufacturers Association.

<sup>1)</sup> Standard voltage for stock items, see option selection and pricing section for additional voltages

<sup>2)</sup> 8 Pole motors only.

<sup>3)</sup> NEMA design A: 250HP and 300HP, 4 and 6 pole.

<sup>4)</sup> Available as option (L79 DE, L80 NDE, L81 Both ends).

<sup>5)</sup> Available as option (M05, VSD fan).

<sup>6)</sup> Inpro/Seal®.

# SIMOTICS Severe duty motors

## SD100 (Cast iron frame)

## NEMA Premium® Die cast aluminum rotor

### 460V 60Hz – Foot mounted

| HP  | RPM  | Frame | Voltage     | Type  | Part Number      | List Price \$ | Mult. Symb. | FL Amps | FL Nom Eff. (%) | Lbs | Stock |
|-----|------|-------|-------------|-------|------------------|---------------|-------------|---------|-----------------|-----|-------|
| 1   | 3600 | 143T  | 208-230/460 | SD100 | 1LE23211AA114AA3 |               | SD2         | 1.4     | 82.5            | 75  | ✓     |
| 1   | 1800 | 143T  | 208-230/460 | SD100 | 1LE23211AB214AA3 |               | SD2         | 1.4     | 85.5            | 76  | ✓     |
| 1   | 1200 | 145T  | 208-230/460 | SD100 | 1LE23211AC314AA3 |               | SD2         | 1.6     | 82.5            | 77  | ✓     |
| 1   | 900  | 182T  | 208-230/460 | SD100 | 1LE23211CD114AA3 |               | SD2         | 2.1     | 74.0            | 106 | ✓     |
| 1.5 | 3600 | 143T  | 208-230/460 | SD100 | 1LE23211AA214AA3 |               | SD2         | 2.0     | 84.0            | 70  | ✓     |
| 1.5 | 1800 | 145T  | 208-230/460 | SD100 | 1LE23211AB314AA3 |               | SD2         | 2.1     | 86.5            | 80  | ✓     |
| 1.5 | 1200 | 182T  | 208-230/460 | SD100 | 1LE23211CC114AA3 |               | SD2         | 2.4     | 87.5            | 113 | ✓     |
| 1.5 | 900  | 184T  | 208-230/460 | SD100 | 1LE23211CD314AA3 |               | SD2         | 3.0     | 77.0            | 119 | ✓     |
| 2   | 3600 | 145T  | 208-230/460 | SD100 | 1LE23211AA314AA3 |               | SD2         | 2.5     | 85.5            | 72  | ✓     |
| 2   | 1800 | 145T  | 208-230/460 | SD100 | 1LE23211AB414AA3 |               | SD2         | 2.8     | 86.5            | 80  | ✓     |
| 2   | 1200 | 184T  | 208-230/460 | SD100 | 1LE23211CC314AA3 |               | SD2         | 3.2     | 88.5            | 122 | ✓     |
| 2   | 900  | 213T  | 230/460     | SD100 | 1LE23212AD114AA3 |               | SD2         | 3.3     | 82.5            | 143 | ✓     |
| 3   | 3600 | 182T  | 208-230/460 | SD100 | 1LE23211CA114AA3 |               | SD2         | 3.8     | 86.5            | 107 | ✓     |
| 3   | 1800 | 182T  | 208-230/460 | SD100 | 1LE23211CB114AA3 |               | SD2         | 4.0     | 89.5            | 118 | ✓     |
| 3   | 1200 | 213T  | 208-230/460 | SD100 | 1LE23212AC114AA3 |               | SD2         | 4.3     | 89.5            | 164 | ✓     |
| 3   | 900  | 215T  | 230/460     | SD100 | 1LE23212AD214AA3 |               | SD2         | 4.8     | 84.0            | 158 | ✓     |
| 5   | 3600 | 184T  | 208-230/460 | SD100 | 1LE23211CA314AA3 |               | SD2         | 6.0     | 88.5            | 118 | ✓     |
| 5   | 1800 | 184T  | 208-230/460 | SD100 | 1LE23211CB314AA3 |               | SD2         | 6.5     | 89.5            | 124 | ✓     |
| 5   | 1200 | 215T  | 208-230/460 | SD100 | 1LE23212AC214AA3 |               | SD2         | 6.7     | 89.5            | 176 | ✓     |
| 5   | 900  | 254T  | 230/460     | SD100 | 1LE23212BD114AA3 |               | SD2         | 8.8     | 85.5            | 247 | ✓     |
| 7.5 | 3600 | 213T  | 208-230/460 | SD100 | 1LE23212AA114AA3 |               | SD2         | 8.8     | 89.5            | 160 | ✓     |
| 7.5 | 1800 | 213T  | 208-230/460 | SD100 | 1LE23212AB114AA3 |               | SD2         | 9.7     | 91.7            | 191 | ✓     |
| 7.5 | 1200 | 254T  | 208-230/460 | SD100 | 1LE23212BC114AA3 |               | SD2         | 10.0    | 91.0            | 292 | ✓     |
| 7.5 | 900  | 256T  | 230/460     | SD100 | 1LE23212BD214AA3 |               | SD2         | 13.0    | 85.5            | 279 | ✓     |
| 10  | 3600 | 215T  | 208-230/460 | SD100 | 1LE23212AA214AA3 |               | SD2         | 11.5    | 90.2            | 174 | ✓     |
| 10  | 1800 | 215T  | 208-230/460 | SD100 | 1LE23212AB214AA3 |               | SD2         | 12.5    | 91.7            | 197 | ✓     |
| 10  | 1200 | 256T  | 208-230/460 | SD100 | 1LE23212BC214AA3 |               | SD2         | 13.5    | 91.0            | 288 | ✓     |
| 10  | 900  | 284T  | 230/460     | SD100 | 1LE23212CD116AA3 |               | SD3         | 15.0    | 91.0            | 375 | ✓     |
| 15  | 3600 | 254T  | 208-230/460 | SD100 | 1LE23212BA114AA3 |               | SD2         | 17.5    | 91.0            | 287 | ✓     |
| 15  | 1800 | 254T  | 208-230/460 | SD100 | 1LE23212BB114AA3 |               | SD2         | 19.0    | 92.4            | 289 | ✓     |
| 15  | 1200 | 284T  | 230/460     | SD100 | 1LE23212CC116AA3 |               | SD2         | 21.0    | 91.7            | 400 | ✓     |
| 15  | 900  | 286T  | 230/460     | SD100 | 1LE23212CD216AA3 |               | SD2         | 23.0    | 91.0            | 430 | ✓     |
| 20  | 3600 | 256T  | 208-230/460 | SD100 | 1LE23212BA214AA3 |               | SD2         | 22.5    | 91.0            | 323 | ✓     |
| 20  | 1800 | 256T  | 208-230/460 | SD100 | 1LE23212BB214AA3 |               | SD2         | 25.0    | 93.0            | 322 | ✓     |
| 20  | 1200 | 286T  | 230/460     | SD100 | 1LE23212CC216AA3 |               | SD2         | 27.0    | 91.7            | 465 | ✓     |
| 20  | 900  | 324T  | 230/460     | SD100 | 1LE23213AD116AA3 |               | SD2         | 31.0    | 91.0            | 567 | ✓     |
| 25  | 3600 | 284TS | 460         | SD100 | 1LE23212DA112AA3 |               | SD2         | 29.0    | 91.7            | 415 | ✓     |
| 25  | 1800 | 284TS | 460         | SD100 | 1LE23212DB112AA3 |               | SD2         | 30.0    | 93.6            | 445 | ✓     |
| 25  | 1800 | 284T  | 460         | SD100 | 1LE23212CB112AA3 |               | SD2         | 30.0    | 93.6            | 445 | ✓     |
| 25  | 1200 | 324T  | 460         | SD100 | 1LE23213AC112AA3 |               | SD2         | 33.0    | 93.0            | 640 | ✓     |
| 25  | 900  | 326T  | 460         | SD100 | 1LE23213AD212AA3 |               | SD2         | 38.0    | 90.2            | 600 | ✓     |
| 30  | 3600 | 286TS | 460         | SD100 | 1LE23212DA212AA3 |               | SD2         | 34.0    | 91.7            | 430 | ✓     |
| 30  | 1800 | 286TS | 460         | SD100 | 1LE23212DB212AA3 |               | SD2         | 35.0    | 93.6            | 465 | ✓     |
| 30  | 1800 | 286T  | 460         | SD100 | 1LE23212CB212AA3 |               | SD2         | 35.0    | 93.6            | 465 | ✓     |
| 30  | 1200 | 326T  | 460         | SD100 | 1LE23213AC212AA3 |               | SD2         | 39.0    | 93.0            | 675 | ✓     |
| 30  | 900  | 364T  | 460         | SD100 | 1LE23213CD112AA3 |               | SD2         | 47.0    | 91.0            | 800 | ✓     |

NEMA Premium® is a certification mark of the National Electrical Manufacturers Association.  
QuikMOD Delivery for stocked motors only.

Stock availability subject to change.  
Prices and Specifications are subject to change without notice.  
DOE#CC032A



# SIMOTICS Severe duty motors

## SD100 (Cast iron frame)

NEMA Premium®  
Die cast aluminum rotor

### 460V 60Hz – Foot mounted

| HP  | RPM  | Frame | Voltage | Type  | Part Number      | List Price \$ | Mult. Sybl. | FL Amps | FL Nom Eff. (%) | Lbs  | Stock |
|-----|------|-------|---------|-------|------------------|---------------|-------------|---------|-----------------|------|-------|
| 40  | 3600 | 324TS | 460     | SD100 | 1LE23213BA112AA3 |               | SD2         | 45.0    | 93.6            | 575  | ✓     |
| 40  | 1800 | 324TS | 460     | SD100 | 1LE23213BB112AA3 |               | SD2         | 46.0    | 94.1            | 666  | ✓     |
| 40  | 1800 | 324T  | 460     | SD100 | 1LE23213AB112AA3 |               | SD2         | 46.0    | 94.1            | 666  | ✓     |
| 40  | 1200 | 364T  | 460     | SD100 | 1LE23213CC112AA3 |               | SD2         | 49.0    | 94.1            | 863  | ✓     |
| 40  | 900  | 365T  | 460     | SD100 | 1LE23213CD212AA3 |               | SD2         | 63.0    | 91.7            | 875  | ✓     |
| 50  | 3600 | 326TS | 460     | SD100 | 1LE23213BA212AA3 |               | SD2         | 55.0    | 93.6            | 610  | ✓     |
| 50  | 1800 | 326TS | 460     | SD100 | 1LE23213BB212AA3 |               | SD2         | 58.0    | 94.5            | 700  | ✓     |
| 50  | 1800 | 326T  | 460     | SD100 | 1LE23213AB212AA3 |               | SD2         | 58.0    | 94.5            | 700  | ✓     |
| 50  | 1200 | 365T  | 460     | SD100 | 1LE23213CC212AA3 |               | SD2         | 62.0    | 94.1            | 900  | ✓     |
| 50  | 900  | 404T  | 460     | SD100 | 1LE23214AD112AA3 |               | SD2         | 67.0    | 91.7            | 1135 | ✓     |
| 60  | 3600 | 364TS | 460     | SD100 | 1LE23213DA112AA3 |               | SD2         | 68.0    | 93.6            | 717  | ✓     |
| 60  | 1800 | 364TS | 460     | SD100 | 1LE23213DB112AA3 |               | SD2         | 68.0    | 95.0            | 930  | ✓     |
| 60  | 1800 | 364T  | 460     | SD100 | 1LE23213CB112AA3 |               | SD2         | 68.0    | 95.0            | 930  | ✓     |
| 60  | 1200 | 404T  | 460     | SD100 | 1LE23214AC112AA3 |               | SD2         | 74.0    | 94.5            | 1100 | ✓     |
| 60  | 900  | 405T  | 460     | SD100 | 1LE23214AD212AA3 |               | SD2         | 78.0    | 91.7            | 1300 | ✓     |
| 75  | 3600 | 365TS | 460     | SD100 | 1LE23213DA212AA3 |               | SD2         | 86.0    | 94.1            | 815  | ✓     |
| 75  | 1800 | 365TS | 460     | SD100 | 1LE23213DB212AA3 |               | SD2         | 85.0    | 95.4            | 1000 | ✓     |
| 75  | 1800 | 365T  | 460     | SD100 | 1LE23213CB212AA3 |               | SD2         | 85.0    | 95.4            | 1000 | ✓     |
| 75  | 1200 | 405T  | 460     | SD100 | 1LE23214AC212AA3 |               | SD2         | 93.0    | 94.5            | 1150 | ✓     |
| 75  | 900  | 444T  | 460     | SD100 | 1LE23214CD112AA3 |               | SD2         | 94.0    | 93.0            | 1625 | ✓     |
| 75  | 900  | 444TS | 460     | SD100 | 1LE23214DD112AA3 |               | SD2         | 94.0    | 93.0            | 1625 |       |
| 75  | 900  | 440T  | 460     | SD100 | 1LE23214ED112AA3 |               | SD2         | 94.0    | 93.0            | 1625 |       |
| 100 | 3600 | 405TS | 460     | SD100 | 1LE23214BA212AA3 |               | SD2         | 108.0   | 94.1            | 1100 | ✓     |
| 100 | 1800 | 405TS | 460     | SD100 | 1LE23214BB212AA3 |               | SD2         | 113.0   | 95.4            | 1160 | ✓     |
| 100 | 1800 | 405T  | 460     | SD100 | 1LE23214AB212AA3 |               | SD2         | 113.0   | 95.4            | 1160 | ✓     |
| 100 | 1200 | 444TS | 460     | SD100 | 1LE23214DC112AA3 |               | SD2         | 117.0   | 95.0            | 1545 | ✓     |
| 100 | 1200 | 444T  | 460     | SD100 | 1LE23214CC112AA3 |               | SD2         | 117.0   | 95.0            | 1545 | ✓     |
| 100 | 1200 | 444T  | 460     | SD100 | 1LE23214EC112AA3 |               | SD2         | 117.0   | 95.0            | 1545 | ✓     |
| 100 | 900  | 445T  | 460     | SD100 | 1LE23214CD212AA3 |               | SD2         | 123.0   | 94.1            | 1900 | ✓     |
| 100 | 900  | 445T  | 460     | SD100 | 1LE23214ED212AA3 |               | SD2         | 123.0   | 94.1            | 1900 |       |
| 100 | 900  | 445TS | 460     | SD100 | 1LE23214DD212AA3 |               | SD2         | 123.0   | 94.1            | 1900 |       |
| 125 | 3600 | 444TS | 460     | SD100 | 1LE23214DA112AA3 |               | SD2         | 138.0   | 95.0            | 1454 | ✓     |
| 125 | 1800 | 444TS | 460     | SD100 | 1LE23214DB112AA3 |               | SD2         | 143.0   | 95.4            | 1600 | ✓     |
| 125 | 1800 | 444T  | 460     | SD100 | 1LE23214CB112AA3 |               | SD2         | 143.0   | 95.4            | 1600 | ✓     |
| 125 | 1800 | 444T  | 460     | SD100 | 1LE23214EB112AA3 |               | SD2         | 143.0   | 95.4            | 1600 | ✓     |
| 125 | 1200 | 445TS | 460     | SD100 | 1LE23214DC212AA3 |               | SD2         | 144.0   | 95.0            | 1720 | ✓     |
| 125 | 1200 | 445T  | 460     | SD100 | 1LE23214CC212AA3 |               | SD2         | 144.0   | 95.0            | 1720 | ✓     |
| 125 | 1200 | 445T  | 460     | SD100 | 1LE23214EC212AA3 |               | SD2         | 144.0   | 95.0            | 1720 | ✓     |
| 125 | 900  | 447T  | 460     | SD100 | 1LE23214CD312AA3 |               | SD2         | 152.0   | 93.6            | 2280 | ✓     |
| 125 | 900  | 447T  | 460     | SD100 | 1LE23214ED312AA3 |               | SD2         | 152.0   | 93.6            | 2280 |       |
| 125 | 900  | 447TS | 460     | SD100 | 1LE23214DD312AA3 |               | SD2         | 152.0   | 93.6            | 2280 |       |

NEMA Premium® is a certification mark of the National Electrical Manufacturers Association.  
 QuikMOD Delivery for stocked motors only.  
 Shaded ratings indicated roller bearings.

Stock availability subject to change.  
 Prices and Specifications are subject to change without notice.  
 DOE#CC032A

# SIMOTICS Severe duty motors

## SD100 (Cast iron frame)

NEMA Premium®  
Die cast aluminum rotor

### 460V 60Hz – Foot mounted

| HP  | RPM  | Frame                | Voltage | Type  | Part Number      | List Price \$ | Mult. Symb. | FL Amps | FL Nom Eff. (%) | Lbs  | Stock |
|-----|------|----------------------|---------|-------|------------------|---------------|-------------|---------|-----------------|------|-------|
| 150 | 3600 | 445TS                | 460     | SD100 | 1LE23214DA212AA3 |               | SD2         | 164.0   | 95.0            | 1615 | ✓     |
| 150 | 1800 | 445TS                | 460     | SD100 | 1LE23214DB212AA3 |               | SD2         | 170.0   | 95.8            | 1710 | ✓     |
| 150 | 1800 | 445T                 | 460     | SD100 | 1LE23214CB212AA3 |               | SD2         | 170.0   | 95.8            | 1710 | ✓     |
| 150 | 1800 | 445T                 | 460     | SD100 | 1LE23214EB212AA3 |               | SD2         | 170.0   | 95.8            | 1710 | ✓     |
| 150 | 1200 | 447TS                | 460     | SD100 | 1LE23214DC312AA3 |               | SD2         | 172.0   | 95.8            | 1995 | ✓     |
| 150 | 1200 | 447T                 | 460     | SD100 | 1LE23214CC312AA3 |               | SD2         | 172.0   | 95.8            | 1995 | ✓     |
| 150 | 1200 | 447T                 | 460     | SD100 | 1LE23214EC312AA3 |               | SD2         | 172.0   | 95.8            | 1995 | ✓     |
| 150 | 900  | 447T                 | 460     | SD100 | 1LE23214CD412AA3 |               | SD2         | 186.0   | 94.1            | 2280 | ✓     |
| 150 | 900  | 447T                 | 460     | SD100 | 1LE23214ED412AA3 |               | SD2         | 186.0   | 94.1            | 2280 |       |
| 200 | 3600 | 447TS                | 460     | SD100 | 1LE23214DA312AA3 |               | SD2         | 216.0   | 95.4            | 1890 | ✓     |
| 200 | 1800 | 447TS                | 460     | SD100 | 1LE23214DB312AA3 |               | SD2         | 226.0   | 96.2            | 2035 | ✓     |
| 200 | 1800 | 447T                 | 460     | SD100 | 1LE23214CB312AA3 |               | SD2         | 226.0   | 96.2            | 2035 | ✓     |
| 200 | 1800 | 447T                 | 460     | SD100 | 1LE23214EB312AA3 |               | SD2         | 226.0   | 96.2            | 2035 | ✓     |
| 200 | 1200 | 449TS                | 460     | SD100 | 1LE23214DC512AA3 |               | SD2         | 227.0   | 95.8            | 2425 | ✓     |
| 200 | 1200 | 449T                 | 460     | SD100 | 1LE23214CC512AA3 |               | SD2         | 227.0   | 95.8            | 2425 | ✓     |
| 200 | 1200 | 449T                 | 460     | SD100 | 1LE23214EC512AA3 |               | SD2         | 227.0   | 95.8            | 2425 | ✓     |
| 200 | 900  | S449LS               | 460     | SD100 | 1LE23214FD112AA3 |               | SD2         | 241.0   | 94.5            | 3200 | ✓     |
| 200 | 900  | S449SS               | 460     | SD100 | 1LE23214GD112AA3 |               | SD2         | 241.0   | 94.5            | 3200 |       |
| 250 | 3600 | 449TS                | 460     | SD100 | 1LE23214DA512AA3 |               | SD2         | 265.0   | 95.8            | 2272 | ✓     |
| 250 | 1800 | 449TS <sup>2)</sup>  | 460     | SD100 | 1LE23214DB512AA3 |               | SD2         | 278.0   | 96.2            | 2425 | ✓     |
| 250 | 1800 | 449T <sup>2)</sup>   | 460     | SD100 | 1LE23214CB512AA3 |               | SD2         | 278.0   | 96.2            | 2425 | ✓     |
| 250 | 1800 | 449T <sup>2)</sup>   | 460     | SD100 | 1LE23214EB512AA3 |               | SD2         | 278.0   | 96.2            | 2425 | ✓     |
| 250 | 1200 | 449TS <sup>2)</sup>  | 460     | SD100 | 1LE23214DC612AA3 |               | SD2         | 281.0   | 95.8            | 2390 | ✓     |
| 250 | 1200 | 449T <sup>2)</sup>   | 460     | SD100 | 1LE23214CC612AA3 |               | SD2         | 281.0   | 95.8            | 2390 | ✓     |
| 250 | 1200 | 449T <sup>2)</sup>   | 460     | SD100 | 1LE23214EC612AA3 |               | SD2         | 281.0   | 95.8            | 2390 | ✓     |
| 250 | 900  | S449LS               | 460     | SD100 | 1LE23214FD212AA3 |               | SD2         | 303.0   | 94.5            | 3316 | ✓     |
| 300 | 3600 | 449TS                | 460     | SD100 | 1LE23214DA612AA3 |               | SD2         | 325.0   | 95.8            | 2200 | ✓     |
| 300 | 1800 | 449TS <sup>2)</sup>  | 460     | SD100 | 1LE23214DB612AA3 |               | SD2         | 338.0   | 96.2            | 3130 | ✓     |
| 300 | 1800 | 449T <sup>2)</sup>   | 460     | SD100 | 1LE23214CB612AA3 |               | SD2         | 338.0   | 96.2            | 3130 | ✓     |
| 300 | 1800 | 449T <sup>2)</sup>   | 460     | SD100 | 1LE23214EB612AA3 |               | SD2         | 338.0   | 96.2            | 3130 | ✓     |
| 300 | 1200 | S449LS <sup>2)</sup> | 460     | SD100 | 1LE23214FC112AA3 |               | SD2         | 340.0   | 95.8            | 3240 | ✓     |
| 350 | 3600 | S449SS <sup>1)</sup> | 460     | SD100 | 1LE23214GA112AA3 |               | SD2         | 370.0   | 95.8            | 2890 | ✓     |
| 350 | 1800 | S449SS               | 460     | SD100 | 1LE23214GB212AA3 |               | SD2         | 390.0   | 96.2            | 3190 | ✓     |
| 350 | 1800 | S449LS               | 460     | SD100 | 1LE23214FB212AA3 |               | SD2         | 390.0   | 96.2            | 3190 | ✓     |
| 400 | 3600 | S449SS <sup>1)</sup> | 460     | SD100 | 1LE23214GA312AA3 |               | SD2         | 422.0   | 95.8            | 3065 | ✓     |
| 400 | 1800 | S449SS               | 460     | SD100 | 1LE23214GB312AA3 |               | SD2         | 454.0   | 96.2            | 3240 | ✓     |
| 400 | 1800 | S449LS               | 460     | SD100 | 1LE23214FB312AA3 |               | SD2         | 454.0   | 96.2            | 3240 | ✓     |

NEMA Premium® is a certification mark of the National Electrical Manufacturers Association.  
QuikMOD Delivery for stocked motors only.  
Shaded ratings indicated roller bearings.  
Stock availability subject to change.

1) CW Rotation facing opposite DE  
2) NEMA design A  
Prices and Specifications are subject to change without notice.  
DOE#CC032A

# SIMOTICS Severe duty motors

## SD100 (Cast iron frame)

NEMA Premium®  
Die cast aluminum rotor

460V 60Hz – C-face footless

| HP  | RPM  | Frame | Voltage     | Type  | Part Number      | List Price \$ | Mult. Symb. | FL Amps | FL Nom Eff. (%) | Lbs | Stock |
|-----|------|-------|-------------|-------|------------------|---------------|-------------|---------|-----------------|-----|-------|
| 1   | 3600 | 143TC | 208-230/460 | SD100 | 1LE23211AA114GA3 |               | SD2         | 1.4     | 82.5            | 75  | ✓     |
| 1   | 1800 | 143TC | 208-230/460 | SD100 | 1LE23211AB214GA3 |               | SD2         | 1.4     | 85.5            | 76  | ✓     |
| 1   | 1200 | 145TC | 208-230/460 | SD100 | 1LE23211AC314GA3 |               | SD2         | 1.6     | 82.5            | 77  | ✓     |
| 1   | 900  | 182TC | 208-230/460 | SD100 | 1LE23211CD114GA3 |               | SD2         | 2.1     | 74.0            | 106 | ✓     |
| 1.5 | 3600 | 143TC | 208-230/460 | SD100 | 1LE23211AA214GA3 |               | SD2         | 2.0     | 84.0            | 70  | ✓     |
| 1.5 | 1800 | 145TC | 208-230/460 | SD100 | 1LE23211AB314GA3 |               | SD2         | 2.1     | 86.5            | 80  | ✓     |
| 1.5 | 1200 | 182TC | 208-230/460 | SD100 | 1LE23211CC114GA3 |               | SD2         | 2.4     | 87.5            | 113 | ✓     |
| 1.5 | 900  | 184TC | 208-230/460 | SD100 | 1LE23211CD314GA3 |               | SD2         | 3.0     | 77.0            | 119 | ✓     |
| 2   | 3600 | 145TC | 208-230/460 | SD100 | 1LE23211AA314GA3 |               | SD2         | 2.5     | 85.5            | 72  | ✓     |
| 2   | 1800 | 145TC | 208-230/460 | SD100 | 1LE23211AB414GA3 |               | SD2         | 2.8     | 86.5            | 80  | ✓     |
| 2   | 1200 | 184TC | 208-230/460 | SD100 | 1LE23211CC314GA3 |               | SD2         | 3.2     | 88.5            | 122 | ✓     |
| 2   | 900  | 213TC | 208-230/460 | SD100 | 1LE23212AD114GA3 |               | SD2         | 3.3     | 82.5            | 143 | ✓     |
| 3   | 3600 | 182TC | 208-230/460 | SD100 | 1LE23211CA114GA3 |               | SD2         | 3.8     | 86.5            | 107 | ✓     |
| 3   | 1800 | 182TC | 208-230/460 | SD100 | 1LE23211CB114GA3 |               | SD2         | 4.0     | 89.5            | 118 | ✓     |
| 3   | 1200 | 213TC | 208-230/460 | SD100 | 1LE23212AC114GA3 |               | SD2         | 4.3     | 89.5            | 164 | ✓     |
| 3   | 900  | 215TC | 208-230/460 | SD100 | 1LE23212AD214GA3 |               | SD2         | 4.8     | 84.0            | 158 | ✓     |
| 5   | 3600 | 184TC | 208-230/460 | SD100 | 1LE23211CA314GA3 |               | SD2         | 6.0     | 88.5            | 118 | ✓     |
| 5   | 1800 | 184TC | 208-230/460 | SD100 | 1LE23211CB314GA3 |               | SD2         | 6.5     | 89.5            | 124 | ✓     |
| 5   | 1200 | 215TC | 208-230/460 | SD100 | 1LE23212AC214GA3 |               | SD2         | 6.7     | 89.5            | 176 | ✓     |
| 5   | 900  | 254TC | 208-230/460 | SD100 | 1LE23212BD114GA3 |               | SD2         | 8.8     | 85.5            | 247 | ✓     |
| 7.5 | 3600 | 213TC | 208-230/460 | SD100 | 1LE23212AA114GA3 |               | SD2         | 8.8     | 89.5            | 160 | ✓     |
| 7.5 | 1800 | 213TC | 208-230/460 | SD100 | 1LE23212AB114GA3 |               | SD2         | 9.7     | 91.7            | 191 | ✓     |
| 7.5 | 1200 | 254TC | 208-230/460 | SD100 | 1LE23212BC114GA3 |               | SD2         | 10.0    | 91.0            | 292 | ✓     |
| 7.5 | 900  | 256TC | 208-230/460 | SD100 | 1LE23212BD214GA3 |               | SD2         | 13.0    | 85.5            | 279 | ✓     |
| 10  | 3600 | 215TC | 208-230/460 | SD100 | 1LE23212AA214GA3 |               | SD2         | 11.5    | 90.2            | 174 | ✓     |
| 10  | 1800 | 215TC | 208-230/460 | SD100 | 1LE23212AB214GA3 |               | SD2         | 12.5    | 91.7            | 197 | ✓     |
| 10  | 1200 | 256TC | 208-230/460 | SD100 | 1LE23212BC214GA3 |               | SD2         | 13.5    | 91.0            | 288 | ✓     |
| 15  | 3600 | 254TC | 208-230/460 | SD100 | 1LE23212BA114GA3 |               | SD2         | 17.5    | 91.0            | 287 | ✓     |
| 15  | 1800 | 254TC | 208-230/460 | SD100 | 1LE23212BB114GA3 |               | SD2         | 19.0    | 92.4            | 289 | ✓     |
| 20  | 3600 | 256TC | 208-230/460 | SD100 | 1LE23212BA214GA3 |               | SD2         | 22.5    | 91.0            | 323 | ✓     |
| 20  | 1800 | 256TC | 208-230/460 | SD100 | 1LE23212BB214GA3 |               | SD2         | 25.0    | 93.0            | 322 | ✓     |

NEMA Premium® is a certification mark of the National Electrical Manufacturers Association.  
QuikMOD Delivery for stocked motors only.

Stock availability subject to change.  
Prices and Specifications are subject to change without notice.  
DOE#CC032A

# SIMOTICS Severe duty motors

## SD100 (Cast iron frame)

NEMA Premium®  
Die cast copper rotor

### 460V 60Hz – Foot mounted

| HP  | RPM  | Frame | Voltage     | Type  | Part Number      | List Price \$ | Mult. Symb. | FL Amps | FL Nom Eff. (%) | Lbs | Stock |
|-----|------|-------|-------------|-------|------------------|---------------|-------------|---------|-----------------|-----|-------|
| 1   | 1800 | 143T  | 208-230/460 | SD100 | 1LE23111AB214AA3 |               | SD2         | 1.5     | 86.5            | 81  | ✓     |
| 1   | 1200 | 145T  | 208-230/460 | SD100 | 1LE23111AC314AA3 |               | SD2         | 1.6     | 84.0            | 81  | ✓     |
| 1.5 | 3600 | 143T  | 208-230/460 | SD100 | 1LE23111AA214AA3 |               | SD2         | 1.9     | 87.5            | 80  | ✓     |
| 1.5 | 1800 | 145T  | 208-230/460 | SD100 | 1LE23111AB314AA3 |               | SD2         | 2.1     | 87.5            | 81  | ✓     |
| 2   | 3600 | 145T  | 208-230/460 | SD100 | 1LE23111AA314AA3 |               | SD2         | 2.6     | 88.5            | 80  | ✓     |
| 2   | 1800 | 145T  | 208-230/460 | SD100 | 1LE23111AB414AA3 |               | SD2         | 2.8     | 87.5            | 81  | ✓     |
| 3   | 3600 | 182T  | 208-230/460 | SD100 | 1LE23111CA114AA3 |               | SD2         | 3.8     | 89.5            | 121 | ✓     |
| 3   | 1800 | 182T  | 208-230/460 | SD100 | 1LE23111CB114AA3 |               | SD2         | 4.0     | 90.2            | 125 | ✓     |
| 3   | 1200 | 213T  | 208-230/460 | SD100 | 1LE23112AC114AA3 |               | SD2         | 4.3     | 90.2            | 170 | ✓     |
| 5   | 3600 | 184T  | 208-230/460 | SD100 | 1LE23111CA314AA3 |               | SD2         | 6.2     | 90.2            | 123 | ✓     |
| 5   | 1800 | 184T  | 208-230/460 | SD100 | 1LE23111CB314AA3 |               | SD2         | 6.7     | 90.2            | 129 | ✓     |
| 5   | 1200 | 215T  | 208-230/460 | SD100 | 1LE23112AC214AA3 |               | SD2         | 7.0     | 90.2            | 184 | ✓     |
| 7.5 | 3600 | 213T  | 208-230/460 | SD100 | 1LE23112AA114AA3 |               | SD2         | 8.5     | 91.7            | 191 | ✓     |
| 7.5 | 1800 | 213T  | 208-230/460 | SD100 | 1LE23112AB114AA3 |               | SD2         | 9.5     | 92.4            | 198 | ✓     |
| 7.5 | 1200 | 254T  | 208-230/460 | SD100 | 1LE23112BC114AA3 |               | SD2         | 10.5    | 92.4            | 336 | ✓     |
| 10  | 3600 | 215T  | 208-230/460 | SD100 | 1LE23112AA214AA3 |               | SD2         | 11.5    | 91.7            | 196 | ✓     |
| 10  | 1800 | 215T  | 208-230/460 | SD100 | 1LE23112AB214AA3 |               | SD2         | 12.5    | 92.4            | 206 | ✓     |
| 10  | 1200 | 256T  | 208-230/460 | SD100 | 1LE23112BC214AA3 |               | SD2         | 13.5    | 92.4            | 337 | ✓     |
| 15  | 3600 | 254T  | 208-230/460 | SD100 | 1LE23112BA114AA3 |               | SD2         | 17.0    | 92.4            | 309 | ✓     |
| 15  | 1800 | 254T  | 208-230/460 | SD100 | 1LE23112BB114AA3 |               | SD2         | 19.0    | 93.0            | 297 | ✓     |
| 20  | 3600 | 256T  | 208-230/460 | SD100 | 1LE23112BA214AA3 |               | SD2         | 22.5    | 92.4            | 333 | ✓     |
| 20  | 1800 | 256T  | 208-230/460 | SD100 | 1LE23112BB214AA3 |               | SD2         | 25.0    | 93.6            | 341 | ✓     |

NEMA Premium® is a certification mark of the National Electrical Manufacturers Association.  
QuikMOD Delivery for stocked motors only.

Stock availability subject to change.  
Prices and Specifications are subject to change without notice.  
DOE#CC032A

# SIMOTICS Severe duty motors

## SD100 (Cast iron frame)

NEMA Premium®  
Die cast copper rotor

460V 60Hz – C-face footless

| HP  | RPM  | Frame | Voltage     | Type  | Part Number      | List Price \$ | Mult. Symb. | FL Amps | FL Nom Eff (%) | Lbs | Stock |
|-----|------|-------|-------------|-------|------------------|---------------|-------------|---------|----------------|-----|-------|
| 1   | 1800 | 143TC | 208-230/460 | SD100 | 1LE23111AB214GA3 |               | SD2         | 1.5     | 86.5           | 81  | ✓     |
| 1   | 1200 | 145TC | 208-230/460 | SD100 | 1LE23111AC314GA3 |               | SD2         | 1.6     | 84.0           | 81  | ✓     |
| 1.5 | 3600 | 143TC | 208-230/460 | SD100 | 1LE23111AA214GA3 |               | SD2         | 1.9     | 87.5           | 80  | ✓     |
| 1.5 | 1800 | 145TC | 208-230/460 | SD100 | 1LE23111AB314GA3 |               | SD2         | 2.1     | 87.5           | 81  | ✓     |
| 2   | 3600 | 145TC | 208-230/460 | SD100 | 1LE23111AA314GA3 |               | SD2         | 2.6     | 88.5           | 80  | ✓     |
| 2   | 1800 | 145TC | 208-230/460 | SD100 | 1LE23111AB414GA3 |               | SD2         | 2.8     | 87.5           | 81  | ✓     |
| 3   | 3600 | 182TC | 208-230/460 | SD100 | 1LE23111CA114GA3 |               | SD2         | 3.8     | 89.5           | 121 | ✓     |
| 3   | 1800 | 182TC | 208-230/460 | SD100 | 1LE23111CB114GA3 |               | SD2         | 4.0     | 90.2           | 125 | ✓     |
| 3   | 1200 | 213TC | 208-230/460 | SD100 | 1LE23112AC114GA3 |               | SD2         | 4.3     | 90.2           | 170 | ✓     |
| 5   | 3600 | 184TC | 208-230/460 | SD100 | 1LE23111CA314GA3 |               | SD2         | 6.2     | 90.2           | 123 | ✓     |
| 5   | 1800 | 184TC | 208-230/460 | SD100 | 1LE23111CB314GA3 |               | SD2         | 6.7     | 90.2           | 129 | ✓     |
| 5   | 1200 | 215TC | 208-230/460 | SD100 | 1LE23112AC214GA3 |               | SD2         | 7.0     | 90.2           | 184 | ✓     |
| 7.5 | 3600 | 213TC | 208-230/460 | SD100 | 1LE23112AA114GA3 |               | SD2         | 8.5     | 91.7           | 191 | ✓     |
| 7.5 | 1800 | 213TC | 208-230/460 | SD100 | 1LE23112AB114GA3 |               | SD2         | 9.5     | 92.4           | 198 | ✓     |
| 7.5 | 1200 | 254TC | 208-230/460 | SD100 | 1LE23112BC114GA3 |               | SD2         | 10.5    | 92.4           | 336 | ✓     |
| 10  | 3600 | 215TC | 208-230/460 | SD100 | 1LE23112AA214GA3 |               | SD2         | 11.5    | 91.7           | 196 | ✓     |
| 10  | 1800 | 215TC | 208-230/460 | SD100 | 1LE23112AB214GA3 |               | SD2         | 12.5    | 92.4           | 206 | ✓     |
| 10  | 1200 | 256TC | 208-230/460 | SD100 | 1LE23112BC214GA3 |               | SD2         | 13.5    | 92.4           | 337 | ✓     |
| 15  | 3600 | 254TC | 208-230/460 | SD100 | 1LE23112BA114GA3 |               | SD2         | 17.0    | 92.4           | 309 | ✓     |
| 15  | 1800 | 254TC | 208-230/460 | SD100 | 1LE23112BB114GA3 |               | SD2         | 19.0    | 93.0           | 297 | ✓     |
| 20  | 3600 | 256TC | 208-230/460 | SD100 | 1LE23112BA214GA3 |               | SD2         | 22.5    | 92.4           | 333 | ✓     |
| 20  | 1800 | 256TC | 208-230/460 | SD100 | 1LE23112BB214GA3 |               | SD2         | 25.0    | 93.6           | 341 | ✓     |

NEMA Premium® is a certification mark of the National Electrical Manufacturers Association.  
QuikMOD Delivery for stocked motors only.

Stock availability subject to change.  
Prices and Specifications are subject to change without notice.  
DOE#CC032A

# SIMOTICS Severe duty motors

## SD100 (Cast iron frame)

## NEMA Premium® Die cast aluminum rotor

### 575V 60Hz – Foot mounted

| HP  | RPM  | Frame | Voltage | Type  | Part Number      | List Price \$ | Mult. Symb. | FL Amps | FL Nom Eff. (%) | Lbs | Stock |
|-----|------|-------|---------|-------|------------------|---------------|-------------|---------|-----------------|-----|-------|
| 1   | 3600 | 143T  | 575     | SD100 | 1LE23211AA113AA3 |               | SD2         | 1.1     | 82.5            | 75  | ✓     |
| 1   | 1800 | 143T  | 575     | SD100 | 1LE23211AB213AA3 |               | SD2         | 1.1     | 85.5            | 76  | ✓     |
| 1   | 1200 | 145T  | 575     | SD100 | 1LE23211AC313AA3 |               | SD2         | 1.3     | 82.5            | 77  | ✓     |
| 1   | 900  | 182T  | 575     | SD100 | 1LE23211CD113AA3 |               | SD2         | 1.6     | 74.0            | 106 |       |
| 1.5 | 3600 | 143T  | 575     | SD100 | 1LE23211AA213AA3 |               | SD2         | 1.6     | 84.0            | 70  | ✓     |
| 1.5 | 1800 | 145T  | 575     | SD100 | 1LE23211AB313AA3 |               | SD2         | 1.7     | 86.5            | 80  | ✓     |
| 1.5 | 1200 | 182T  | 575     | SD100 | 1LE23211CC113AA3 |               | SD2         | 1.9     | 87.5            | 113 | ✓     |
| 1.5 | 900  | 184T  | 575     | SD100 | 1LE23211CD313AA3 |               | SD2         | 2.4     | 77.0            | 119 |       |
| 2   | 3600 | 145T  | 575     | SD100 | 1LE23211AA313AA3 |               | SD2         | 2.0     | 85.5            | 72  | ✓     |
| 2   | 1800 | 145T  | 575     | SD100 | 1LE23211AB413AA3 |               | SD2         | 2.2     | 86.5            | 80  | ✓     |
| 2   | 1200 | 184T  | 575     | SD100 | 1LE23211CC313AA3 |               | SD2         | 2.6     | 88.5            | 122 | ✓     |
| 2   | 900  | 213T  | 575     | SD100 | 1LE23212AD113AA3 |               | SD2         | 2.6     | 82.5            | 143 |       |
| 3   | 3600 | 182T  | 575     | SD100 | 1LE23211CA113AA3 |               | SD2         | 3.0     | 86.5            | 107 | ✓     |
| 3   | 1800 | 182T  | 575     | SD100 | 1LE23211CB113AA3 |               | SD2         | 3.2     | 89.5            | 118 | ✓     |
| 3   | 1200 | 213T  | 575     | SD100 | 1LE23212AC113AA3 |               | SD2         | 3.4     | 89.5            | 164 | ✓     |
| 3   | 900  | 215T  | 575     | SD100 | 1LE23212AD213AA3 |               | SD2         | 3.8     | 84.0            | 158 |       |
| 5   | 3600 | 184T  | 575     | SD100 | 1LE23211CA313AA3 |               | SD2         | 4.8     | 88.5            | 118 | ✓     |
| 5   | 1800 | 184T  | 575     | SD100 | 1LE23211CB313AA3 |               | SD2         | 5.2     | 89.5            | 124 | ✓     |
| 5   | 1200 | 215T  | 575     | SD100 | 1LE23212AC213AA3 |               | SD2         | 5.4     | 89.5            | 176 | ✓     |
| 5   | 900  | 254T  | 575     | SD100 | 1LE23212BD113AA3 |               | SD2         | 7.0     | 85.5            | 247 |       |
| 7.5 | 3600 | 213T  | 575     | SD100 | 1LE23212AA113AA3 |               | SD2         | 7.0     | 89.5            | 160 | ✓     |
| 7.5 | 1800 | 213T  | 575     | SD100 | 1LE23212AB113AA3 |               | SD2         | 7.8     | 91.7            | 191 | ✓     |
| 7.5 | 1200 | 254T  | 575     | SD100 | 1LE23212BC113AA3 |               | SD2         | 8.0     | 91.0            | 292 | ✓     |
| 7.5 | 900  | 256T  | 575     | SD100 | 1LE23212BD213AA3 |               | SD2         | 10.5    | 85.5            | 279 |       |
| 10  | 3600 | 215T  | 575     | SD100 | 1LE23212AA213AA3 |               | SD2         | 9.2     | 90.2            | 174 | ✓     |
| 10  | 1800 | 215T  | 575     | SD100 | 1LE23212AB213AA3 |               | SD2         | 10.0    | 91.7            | 197 | ✓     |
| 10  | 1200 | 256T  | 575     | SD100 | 1LE23212BC213AA3 |               | SD2         | 11.0    | 91.0            | 288 | ✓     |
| 10  | 900  | 284T  | 575     | SD100 | 1LE23212CD113AA3 |               | SD2         | 12.0    | 91.0            | 375 |       |
| 15  | 3600 | 254T  | 575     | SD100 | 1LE23212BA113AA3 |               | SD2         | 14.0    | 91.0            | 287 | ✓     |
| 15  | 1800 | 254T  | 575     | SD100 | 1LE23212BB113AA3 |               | SD2         | 15.0    | 92.4            | 289 | ✓     |
| 15  | 1200 | 284T  | 575     | SD100 | 1LE23212CC113AA3 |               | SD2         | 17.0    | 91.7            | 400 | ✓     |
| 15  | 900  | 286T  | 575     | SD100 | 1LE23212CD213AA3 |               | SD2         | 18.4    | 91.0            | 430 |       |
| 20  | 3600 | 256T  | 575     | SD100 | 1LE23212BA213AA3 |               | SD2         | 18.0    | 91.0            | 323 | ✓     |
| 20  | 1800 | 256T  | 575     | SD100 | 1LE23212BB213AA3 |               | SD2         | 20.0    | 93.0            | 322 | ✓     |
| 20  | 1200 | 286T  | 575     | SD100 | 1LE23212CC213AA3 |               | SD2         | 21.5    | 91.7            | 465 | ✓     |
| 20  | 900  | 324T  | 575     | SD100 | 1LE23213AD113AA3 |               | SD2         | 24.8    | 91.0            | 567 |       |
| 25  | 3600 | 284TS | 575     | SD100 | 1LE23212DA113AA3 |               | SD2         | 23.0    | 91.7            | 415 | ✓     |
| 25  | 1800 | 284TS | 575     | SD100 | 1LE23212DB113AA3 |               | SD2         | 24.0    | 93.6            | 445 |       |
| 25  | 1800 | 284T  | 575     | SD100 | 1LE23212CB113AA3 |               | SD2         | 24.0    | 93.6            | 445 | ✓     |
| 25  | 1200 | 324T  | 575     | SD100 | 1LE23213AC113AA3 |               | SD2         | 26.0    | 93.0            | 640 |       |
| 25  | 900  | 326T  | 575     | SD100 | 1LE23213AD213AA3 |               | SD2         | 30.4    | 90.2            | 600 |       |
| 30  | 3600 | 286TS | 575     | SD100 | 1LE23212DA213AA3 |               | SD2         | 27.0    | 91.7            | 430 | ✓     |
| 30  | 1800 | 286TS | 575     | SD100 | 1LE23212DB213AA3 |               | SD2         | 28.0    | 93.6            | 465 |       |
| 30  | 1800 | 286T  | 575     | SD100 | 1LE23212CB213AA3 |               | SD2         | 28.0    | 93.6            | 465 | ✓     |
| 30  | 1200 | 326T  | 575     | SD100 | 1LE23213AC213AA3 |               | SD2         | 31.0    | 93.0            | 675 |       |
| 30  | 900  | 364T  | 575     | SD100 | 1LE23213CD113AA3 |               | SD2         | 37.6    | 91.0            | 800 |       |

NEMA Premium® is a certification mark of the National Electrical Manufacturers Association.  
QuikMOD Delivery for stocked motors only.

Stock availability subject to change.  
Prices and Specifications are subject to change without notice.  
Stock availability subject to change.

# SIMOTICS Severe duty motors

## SD100 (Cast iron frame)

NEMA Premium®  
 Die cast aluminum rotor

### 575V 60Hz – Foot mounted

| HP  | RPM  | Frame | Voltage | Type  | Part Number      | List Price \$ | Mult. Symb. | FL Amps | FL Nom Eff. (%) | Lbs  | Stock |
|-----|------|-------|---------|-------|------------------|---------------|-------------|---------|-----------------|------|-------|
| 40  | 3600 | 324TS | 575     | SD100 | 1LE23213BA113AA3 |               | SD2         | 36.0    | 93.6            | 575  | ✓     |
| 40  | 1800 | 324TS | 575     | SD100 | 1LE23213BB113AA3 |               | SD2         | 37.0    | 94.1            | 666  | ✓     |
| 40  | 1800 | 324T  | 575     | SD100 | 1LE23213AB113AA3 |               | SD2         | 37.0    | 94.1            | 666  | ✓     |
| 40  | 1200 | 364T  | 575     | SD100 | 1LE23213CC113AA3 |               | SD2         | 39.0    | 94.1            | 863  | ✓     |
| 40  | 900  | 365T  | 575     | SD100 | 1LE23213CD213AA3 |               | SD2         | 50.4    | 91.7            | 875  |       |
| 50  | 3600 | 326TS | 575     | SD100 | 1LE23213BA213AA3 |               | SD2         | 44.0    | 93.6            | 610  | ✓     |
| 50  | 1800 | 326TS | 575     | SD100 | 1LE23213BB213AA3 |               | SD2         | 46.0    | 94.5            | 700  |       |
| 50  | 1800 | 326T  | 575     | SD100 | 1LE23213AB213AA3 |               | SD2         | 46.0    | 94.5            | 700  | ✓     |
| 50  | 1200 | 365T  | 575     | SD100 | 1LE23213CC213AA3 |               | SD2         | 50.0    | 94.1            | 900  | ✓     |
| 50  | 900  | 404T  | 575     | SD100 | 1LE23214AD113AA3 |               | SD2         | 53.6    | 91.7            | 1135 |       |
| 60  | 3600 | 364TS | 575     | SD100 | 1LE23213DA113AA3 |               | SD2         | 54.5    | 93.6            | 717  | ✓     |
| 60  | 1800 | 364TS | 575     | SD100 | 1LE23213DB113AA3 |               | SD2         | 54.5    | 95.0            | 930  |       |
| 60  | 1800 | 364T  | 575     | SD100 | 1LE23213CB113AA3 |               | SD2         | 54.5    | 95.0            | 930  | ✓     |
| 60  | 1200 | 404T  | 575     | SD100 | 1LE23214AC113AA3 |               | SD2         | 59.0    | 94.5            | 1100 |       |
| 60  | 900  | 405T  | 575     | SD100 | 1LE23214AD213AA3 |               | SD2         | 62.4    | 91.7            | 1300 |       |
| 75  | 3600 | 365TS | 575     | SD100 | 1LE23213DA213AA3 |               | SD2         | 68.8    | 94.1            | 815  | ✓     |
| 75  | 1800 | 365TS | 575     | SD100 | 1LE23213DB213AA3 |               | SD2         | 68.0    | 95.4            | 1000 |       |
| 75  | 1800 | 365T  | 575     | SD100 | 1LE23213CB213AA3 |               | SD2         | 68.0    | 95.4            | 1000 | ✓     |
| 75  | 1200 | 405T  | 575     | SD100 | 1LE23214AC213AA3 |               | SD2         | 75.0    | 94.5            | 1150 |       |
| 75  | 900  | 444T  | 575     | SD100 | 1LE23214CD113AA3 |               | SD2         | 75.2    | 93.0            | 1625 |       |
| 75  | 900  | 444T  | 575     | SD100 | 1LE23214ED113AA3 |               | SD2         | 75.2    | 93.0            | 1625 |       |
| 75  | 900  | 444TS | 575     | SD100 | 1LE23214DD113AA3 |               | SD2         | 75.2    | 93.0            | 1625 |       |
| 100 | 3600 | 405TS | 575     | SD100 | 1LE23214BA213AA3 |               | SD2         | 87.0    | 94.1            | 1100 |       |
| 100 | 1800 | 405TS | 575     | SD100 | 1LE23214BB213AA3 |               | SD2         | 90.5    | 95.4            | 1160 | ✓     |
| 100 | 1800 | 405T  | 575     | SD100 | 1LE23214AB213AA3 |               | SD2         | 90.5    | 95.4            | 1160 | ✓     |
| 100 | 1200 | 444TS | 575     | SD100 | 1LE23214DC113AA3 |               | SD2         | 94.0    | 95.0            | 1545 |       |
| 100 | 1200 | 444T  | 575     | SD100 | 1LE23214CC113AA3 |               | SD2         | 94.0    | 95.0            | 1545 |       |
| 100 | 1200 | 444T  | 575     | SD100 | 1LE23214EC113AA3 |               | SD2         | 94.0    | 95.0            | 1545 |       |
| 100 | 900  | 445T  | 575     | SD100 | 1LE23214CD213AA3 |               | SD2         | 98.4    | 94.1            | 1900 |       |
| 100 | 900  | 445T  | 575     | SD100 | 1LE23214ED213AA3 |               | SD2         | 98.4    | 94.1            | 1900 |       |
| 100 | 900  | 445TS | 575     | SD100 | 1LE23214DD213AA3 |               | SD2         | 98.4    | 94.1            | 1900 |       |
| 125 | 3600 | 444TS | 575     | SD100 | 1LE23214DA113AA3 |               | SD2         | 110.0   | 95.0            | 1454 |       |
| 125 | 1800 | 444TS | 575     | SD100 | 1LE23214DB113AA3 |               | SD2         | 115.0   | 95.4            | 1600 |       |
| 125 | 1800 | 444T  | 575     | SD100 | 1LE23214CB113AA3 |               | SD2         | 115.0   | 95.4            | 1600 | ✓     |
| 125 | 1800 | 444T  | 575     | SD100 | 1LE23214EB113AA3 |               | SD2         | 115.0   | 95.4            | 1600 | ✓     |
| 125 | 1200 | 445TS | 575     | SD100 | 1LE23214DC213AA3 |               | SD2         | 115.0   | 95.0            | 1720 |       |
| 125 | 1200 | 445T  | 575     | SD100 | 1LE23214CC213AA3 |               | SD2         | 115.0   | 95.0            | 1720 |       |
| 125 | 1200 | 445T  | 575     | SD100 | 1LE23214EC213AA3 |               | SD2         | 115.0   | 95.0            | 1720 |       |
| 125 | 900  | 447T  | 575     | SD100 | 1LE23214CD313AA3 |               | SD2         | 121.6   | 93.6            | 2280 |       |
| 125 | 900  | 447T  | 575     | SD100 | 1LE23214ED313AA3 |               | SD2         | 121.6   | 93.6            | 2280 |       |
| 125 | 900  | 447TS | 575     | SD100 | 1LE23214DD313AA3 |               | SD2         | 121.6   | 93.6            | 2280 |       |

NEMA Premium® is a certification mark of the National Electrical Manufacturers Association.  
 QuikMOD Delivery for stocked motors only.  
 Shaded ratings indicated roller bearings.

Stock availability subject to change.  
 Prices and Specifications are subject to change without notice.  
 DOE#CC032A

# SIMOTICS Severe duty motors

## SD100 (Cast iron frame)

## NEMA Premium® Die cast aluminum rotor

### 575V 60Hz – Foot mounted

| HP  | RPM  | Frame     | Voltage | Type  | Part Number      | List Price \$ | Mult. Symb. | FL Amps | FL Nom Eff. (%) | Lbs  | Stock |
|-----|------|-----------|---------|-------|------------------|---------------|-------------|---------|-----------------|------|-------|
| 150 | 3600 | 445TS     | 575     | SD100 | 1LE23214DA213AA3 |               | SD2         | 131.0   | 95.0            | 1615 |       |
| 150 | 1800 | 445TS     | 575     | SD100 | 1LE23214DB213AA3 |               | SD2         | 136.0   | 95.8            | 1710 | ✓     |
| 150 | 1800 | 445T      | 575     | SD100 | 1LE23214CB213AA3 |               | SD2         | 136.0   | 95.8            | 1710 | ✓     |
| 150 | 1800 | 445T      | 575     | SD100 | 1LE23214EB213AA3 |               | SD2         | 136.0   | 95.8            | 1710 | ✓     |
| 150 | 1200 | 447TS     | 575     | SD100 | 1LE23214DC313AA3 |               | SD2         | 138.0   | 95.8            | 1995 |       |
| 150 | 1200 | 447T      | 575     | SD100 | 1LE23214CC313AA3 |               | SD2         | 138.0   | 95.8            | 1995 |       |
| 150 | 1200 | 447T      | 575     | SD100 | 1LE23214EC313AA3 |               | SD2         | 138.0   | 95.8            | 1995 |       |
| 150 | 900  | 447T      | 575     | SD100 | 1LE23214CD413AA3 |               | SD2         | 148.8   | 94.1            | 2280 |       |
| 150 | 900  | 447T      | 575     | SD100 | 1LE23214ED413AA3 |               | SD2         | 148.8   | 94.1            | 2280 |       |
| 150 | 900  | 447TS     | 575     | SD100 | 1LE23214DD413AA3 |               | SD2         | 148.8   | 94.1            | 2280 |       |
| 200 | 3600 | 447TS     | 575     | SD100 | 1LE23214DA313AA3 |               | SD2         | 173.0   | 95.4            | 1890 |       |
| 200 | 1800 | 447TS     | 575     | SD100 | 1LE23214DB313AA3 |               | SD2         | 181.0   | 96.2            | 2035 | ✓     |
| 200 | 1800 | 447T      | 575     | SD100 | 1LE23214CB313AA3 |               | SD2         | 181.0   | 96.2            | 2035 | ✓     |
| 200 | 1800 | 447T      | 575     | SD100 | 1LE23214EB313AA3 |               | SD2         | 181.0   | 96.2            | 2035 | ✓     |
| 200 | 1200 | 449TS     | 575     | SD100 | 1LE23214DC513AA3 |               | SD2         | 182.0   | 95.8            | 2425 |       |
| 200 | 1200 | 449T      | 575     | SD100 | 1LE23214CC513AA3 |               | SD2         | 182.0   | 95.8            | 2425 |       |
| 200 | 1200 | 449T      | 575     | SD100 | 1LE23214EC513AA3 |               | SD2         | 182.0   | 95.8            | 2425 |       |
| 200 | 900  | S449LS    | 575     | SD100 | 1LE23214FD113AA3 |               | SD2         | 192.8   | 94.5            | 3200 |       |
| 200 | 900  | S449SS    | 575     | SD100 | 1LE23214GD113AA3 |               | SD2         | 192.8   | 94.5            | 3200 |       |
| 250 | 3600 | 449TS     | 575     | SD100 | 1LE23214DA513AA3 |               | SD2         | 212.0   | 95.8            | 2272 |       |
| 250 | 1800 | 449TS 2)  | 575     | SD100 | 1LE23214DB513AA3 |               | SD2         | 223.0   | 96.2            | 2425 |       |
| 250 | 1800 | 449T 2)   | 575     | SD100 | 1LE23214CB513AA3 |               | SD2         | 223.0   | 96.2            | 2425 | ✓     |
| 250 | 1800 | 449T 2)   | 575     | SD100 | 1LE23214EB513AA3 |               | SD2         | 223.0   | 96.2            | 2425 |       |
| 250 | 1200 | 449TS 2)  | 575     | SD100 | 1LE23214DC613AA3 |               | SD2         | 225.0   | 95.8            | 2390 |       |
| 250 | 1200 | 449T 2)   | 575     | SD100 | 1LE23214CC613AA3 |               | SD2         | 225.0   | 95.8            | 2390 |       |
| 250 | 1200 | 449T 2)   | 575     | SD100 | 1LE23214EC613AA3 |               | SD2         | 225.0   | 95.8            | 2390 |       |
| 250 | 900  | S449LS    | 575     | SD100 | 1LE23214FD213AA3 |               | SD2         | 303.0   | 94.5            | 3316 |       |
| 300 | 3600 | 449TS     | 575     | SD100 | 1LE23214DA613AA3 |               | SD2         | 260.0   | 95.8            | 2200 |       |
| 300 | 1800 | 449TS 2)  | 575     | SD100 | 1LE23214DB613AA3 |               | SD2         | 270.0   | 96.2            | 3130 |       |
| 300 | 1800 | 449T 2)   | 575     | SD100 | 1LE23214CB613AA3 |               | SD2         | 270.0   | 96.2            | 3130 |       |
| 300 | 1800 | 449T 2)   | 575     | SD100 | 1LE23214EB613AA3 |               | SD2         | 270.0   | 96.2            | 3130 |       |
| 300 | 1200 | S449LS 2) | 575     | SD100 | 1LE23214FC113AA3 |               | SD2         | 272.0   | 95.8            | 3240 |       |
| 350 | 3600 | S449SS 1) | 575     | SD100 | 1LE23214GA113AA3 |               | SD2         | 296.0   | 95.8            | 2890 |       |
| 350 | 1800 | S449SS    | 575     | SD100 | 1LE23214GB213AA3 |               | SD2         | 312.0   | 96.2            | 3190 |       |
| 350 | 1800 | S449LS    | 575     | SD100 | 1LE23214FB213AA3 |               | SD2         | 312.0   | 96.2            | 3190 |       |
| 400 | 3600 | S449SS 1) | 575     | SD100 | 1LE23214GA313AA3 |               | SD2         | 338.0   | 95.8            | 3065 |       |
| 400 | 1800 | S449SS    | 575     | SD100 | 1LE23214GB313AA3 |               | SD2         | 363.0   | 96.2            | 3240 |       |
| 400 | 1800 | S449LS    | 575     | SD100 | 1LE23214FB313AA3 |               | SD2         | 363.0   | 96.2            | 3240 |       |

NEMA Premium® is a certification mark of the National Electrical Manufacturers Association.  
 QuikMOD Delivery for stocked motors only.  
 Shaded ratings indicated roller bearings.  
 Stock availability subject to change.

1) CW Rotation facing opposite DE  
 2) NEMA design A  
 Prices and Specifications are subject to change without notice.  
 DOE#CC032A



# SIMOTICS Severe duty motors

## SD100 (Cast iron frame)

NEMA Premium®  
Die cast aluminum rotor

### 575V 60Hz – C-Face Footless

| HP  | RPM  | Frame | Voltage | Type  | Part Number      | List Price \$ | Mult. Symb. | FL Amps | FL Nom Eff. (%) | Lbs | Stock |
|-----|------|-------|---------|-------|------------------|---------------|-------------|---------|-----------------|-----|-------|
| 1   | 3600 | 143TC | 575     | SD100 | 1LE23211AA113GA3 |               | SD2         | 1.1     | 82.5            | 75  |       |
| 1   | 1800 | 143TC | 575     | SD100 | 1LE23211AB213GA3 |               | SD2         | 1.1     | 85.5            | 76  |       |
| 1   | 1200 | 145TC | 575     | SD100 | 1LE23211AC313GA3 |               | SD2         | 1.3     | 82.5            | 77  |       |
| 1   | 900  | 182TC | 575     | SD100 | 1LE23211CD113GA3 |               | SD2         | 1.6     | 74.0            | 106 |       |
| 1.5 | 3600 | 143TC | 575     | SD100 | 1LE23211AA213GA3 |               | SD2         | 1.6     | 84.0            | 70  |       |
| 1.5 | 1800 | 145TC | 575     | SD100 | 1LE23211AB313GA3 |               | SD2         | 1.7     | 86.5            | 80  |       |
| 1.5 | 1200 | 182TC | 575     | SD100 | 1LE23211CC113GA3 |               | SD2         | 1.9     | 87.5            | 113 |       |
| 1.5 | 900  | 184TC | 575     | SD100 | 1LE23211CD313GA3 |               | SD2         | 2.4     | 77.0            | 119 |       |
| 2   | 3600 | 145TC | 575     | SD100 | 1LE23211AA313GA3 |               | SD2         | 2.0     | 85.5            | 72  |       |
| 2   | 1800 | 145TC | 575     | SD100 | 1LE23211AB413GA3 |               | SD2         | 2.2     | 86.5            | 80  |       |
| 2   | 1200 | 184TC | 575     | SD100 | 1LE23211CC313GA3 |               | SD2         | 2.6     | 88.5            | 122 |       |
| 2   | 900  | 213TC | 575     | SD100 | 1LE23212AD113GA3 |               | SD2         | 2.6     | 82.5            | 143 |       |
| 3   | 3600 | 182TC | 575     | SD100 | 1LE23211CA113GA3 |               | SD2         | 3.0     | 86.5            | 107 |       |
| 3   | 1800 | 182TC | 575     | SD100 | 1LE23211CB113GA3 |               | SD2         | 3.2     | 89.5            | 118 |       |
| 3   | 1200 | 213TC | 575     | SD100 | 1LE23212AC113GA3 |               | SD2         | 3.4     | 89.5            | 164 |       |
| 3   | 900  | 215TC | 575     | SD100 | 1LE23212AD213GA3 |               | SD2         | 3.8     | 84.0            | 158 |       |
| 5   | 3600 | 184TC | 575     | SD100 | 1LE23211CA313GA3 |               | SD2         | 4.8     | 88.5            | 118 |       |
| 5   | 1800 | 184TC | 575     | SD100 | 1LE23211CB313GA3 |               | SD2         | 5.2     | 89.5            | 124 |       |
| 5   | 1200 | 215TC | 575     | SD100 | 1LE23212AC213GA3 |               | SD2         | 5.4     | 89.5            | 176 |       |
| 5   | 900  | 254TC | 575     | SD100 | 1LE23212BD113GA3 |               | SD2         | 7.0     | 85.5            | 247 |       |
| 7.5 | 3600 | 213TC | 575     | SD100 | 1LE23212AA113GA3 |               | SD2         | 7.0     | 89.5            | 160 |       |
| 7.5 | 1800 | 213TC | 575     | SD100 | 1LE23212AB113GA3 |               | SD2         | 7.8     | 91.7            | 191 |       |
| 7.5 | 1200 | 254TC | 575     | SD100 | 1LE23212BC113GA3 |               | SD2         | 8.0     | 91.0            | 292 |       |
| 7.5 | 900  | 256TC | 575     | SD100 | 1LE23212BD213GA3 |               | SD2         | 10.5    | 85.5            | 279 |       |
| 10  | 3600 | 215TC | 575     | SD100 | 1LE23212AA213GA3 |               | SD2         | 9.2     | 90.2            | 174 |       |
| 10  | 1800 | 215TC | 575     | SD100 | 1LE23212AB213GA3 |               | SD2         | 10.0    | 91.7            | 197 |       |
| 10  | 1200 | 256TC | 575     | SD100 | 1LE23212BC213GA3 |               | SD2         | 11.0    | 91.0            | 288 |       |
| 15  | 3600 | 254TC | 575     | SD100 | 1LE23212BA113GA3 |               | SD2         | 14.0    | 91.0            | 287 |       |
| 15  | 1800 | 254TC | 575     | SD100 | 1LE23212BB113GA3 |               | SD2         | 15.0    | 92.4            | 289 |       |
| 20  | 3600 | 256TC | 575     | SD100 | 1LE23212BA213GA3 |               | SD2         | 18.0    | 91.0            | 323 |       |
| 20  | 1800 | 256TC | 575     | SD100 | 1LE23212BB213GA3 |               | SD2         | 20.0    | 93.0            | 322 |       |

NEMA Premium® is a certification mark of the National Electrical Manufacturers Association.  
QuikMOD Delivery for stocked motors only.

Stock availability subject to change.  
Prices and Specifications are subject to change without notice.  
DOE#CC032A

# Matched drive motor combination package

## Integrated drive systems – SINAMICS G120C and SIMOTICS SD100

### RS485 / USS / MODBUS – Standard foot-mounted

| SIMOTICS SD100 – 460V |      |       |      | SINAMICS G120C |      | Drive and Motor Package |               |
|-----------------------|------|-------|------|----------------|------|-------------------------|---------------|
| HP                    | RPM  | Frame | FLA  | Frame Size     | Amps | Part Number             | List price \$ |
| 1                     | 3600 | 143T  | 1.4  | A              | 2.6  | A6X30078882             |               |
| 1                     | 1800 | 143T  | 1.4  | A              | 2.6  | A6X30078883             |               |
| 1.5                   | 3600 | 143T  | 2.0  | A              | 3.5  | A6X30078915             |               |
| 1.5                   | 1800 | 145T  | 2.1  | A              | 3.5  | A6X30078918             |               |
| 2                     | 3600 | 145T  | 2.5  | A              | 4.8  | A6X30079102             |               |
| 2                     | 1800 | 145T  | 2.8  | A              | 4.8  | A6X30079103             |               |
| 3                     | 3600 | 182T  | 3.8  | A              | 4.8  | 3A6X30079104            |               |
| 3                     | 1800 | 182T  | 4.0  | A              | 4.8  | A6X30079105             |               |
| 5                     | 3600 | 184T  | 6.0  | B              | 7.5  | A6X30079106             |               |
| 5                     | 1800 | 184T  | 6.5  | B              | 7.5  | A6X30079107             |               |
| 7.5                   | 3600 | 213T  | 8.8  | B              | 10.6 | A6X30079108             |               |
| 7.5                   | 1800 | 213T  | 9.7  | B              | 10.6 | A6X30079109             |               |
| 10                    | 3600 | 215T  | 11.5 | C              | 14   | A6X30079110             |               |
| 10                    | 1800 | 215T  | 12.5 | C              | 14   | A6X30079131             |               |
| 15                    | 3600 | 254T  | 17.5 | C              | 21.3 | A6X30079132             |               |
| 15                    | 1800 | 254T  | 19.0 | C              | 21.3 | 1A6X30079133            |               |
| 20                    | 3600 | 256T  | 22.5 | C              | 26.4 | A6X30079134             |               |
| 20                    | 1800 | 256T  | 25.0 | C              | 26.4 | A6X30079135             |               |

### Profibus – Standard foot-mounted

| SIMOTICS SD100 – 460V |      |       |      | SINAMICS G120C |      | Drive and motor package |               |
|-----------------------|------|-------|------|----------------|------|-------------------------|---------------|
| HP                    | RPM  | Frame | FLA  | Frame size     | Amps | Part number             | List price \$ |
| 1                     | 3600 | 143T  | 1.4  | A              | 2.6  | A6X30079206             |               |
| 1                     | 1800 | 143T  | 1.4  | A              | 2.6  | A6X30079207             |               |
| 1.5                   | 3600 | 143T  | 2.0  | A              | 3.5  | A6X30079208             |               |
| 1.5                   | 1800 | 145T  | 2.1  | A              | 3.5  | A6X30079209             |               |
| 2                     | 3600 | 145T  | 2.5  | A              | 4.8  | A6X30079210             |               |
| 2                     | 1800 | 145T  | 2.8  | A              | 4.8  | A6X30079241             |               |
| 3                     | 3600 | 182T  | 3.8  | A              | 4.8  | A6X30079242             |               |
| 3                     | 1800 | 182T  | 4.0  | A              | 4.8  | A6X30079243             |               |
| 5                     | 3600 | 184T  | 6.0  | B              | 7.5  | A6X30079244             |               |
| 5                     | 1800 | 184T  | 6.5  | B              | 7.5  | A6X30079245             |               |
| 7.5                   | 3600 | 213T  | 8.8  | B              | 10.6 | A6X30079246             |               |
| 7.5                   | 1800 | 213T  | 9.7  | B              | 10.6 | A6X30079247             |               |
| 10                    | 3600 | 215T  | 11.5 | C              | 14   | A6X30079248             |               |
| 10                    | 1800 | 215T  | 12.5 | C              | 14   | A6X30079249             |               |
| 15                    | 3600 | 254T  | 17.5 | C              | 21.3 | A6X30079250             |               |
| 15                    | 1800 | 254T  | 19.0 | C              | 21.3 | A6X30079251             |               |
| 20                    | 3600 | 256T  | 22.5 | C              | 26.4 | A6X30079252             |               |
| 20                    | 1800 | 256T  | 25.0 | C              | 26.4 | A6X30079253             |               |

# Matched drive motor combination package

## Integrated drive systems – SINAMICS G120C and SIMOTICS SD100

### Profinet or EtherNet / IP – Standard foot-mounted

| SIMOTICS SD100 – 460V |      |       |      | SINAMICS G120C |      | Drive and Motor Package |               |
|-----------------------|------|-------|------|----------------|------|-------------------------|---------------|
| HP                    | RPM  | Frame | FLA  | Frame Size     | Amps | Part Number             | List price \$ |
| 1                     | 3600 | 143T  | 1.4  | A              | 2.6  | A6X30087441             |               |
| 1                     | 1800 | 143T  | 1.4  | A              | 2.6  | A6X30087443             |               |
| 1.5                   | 3600 | 143T  | 2.0  | A              | 3.5  | A6X30087444             |               |
| 1.5                   | 1800 | 145T  | 2.1  | A              | 3.5  | A6X30087445             |               |
| 2                     | 3600 | 145T  | 2.5  | A              | 4.8  | A6X30087446             |               |
| 2                     | 1800 | 145T  | 2.8  | A              | 4.8  | A6X30087448             |               |
| 3                     | 3600 | 182T  | 3.8  | A              | 4.8  | A6X30087449             |               |
| 3                     | 1800 | 182T  | 4.0  | A              | 4.8  | A6X30087450             |               |
| 5                     | 3600 | 184T  | 6.0  | B              | 7.5  | A6X30087461             |               |
| 5                     | 1800 | 184T  | 6.5  | B              | 7.5  | A6X30086161             |               |
| 7.5                   | 3600 | 213T  | 8.8  | B              | 10.6 | A6X30087462             |               |
| 7.5                   | 1800 | 213T  | 9.7  | B              | 10.6 | A6X30087463             |               |
| 10                    | 3600 | 215T  | 11.5 | C              | 14   | A6X30087464             |               |
| 10                    | 1800 | 215T  | 12.5 | C              | 14   | A6X30087465             |               |
| 15                    | 3600 | 254T  | 17.5 | C              | 21.3 | A6X30087466             |               |
| 15                    | 1800 | 254T  | 19.0 | C              | 21.3 | A6X30087467             |               |
| 20                    | 3600 | 256T  | 22.5 | C              | 26.4 | A6X30087468             |               |
| 20                    | 1800 | 256T  | 25.0 | C              | 26.4 | A6X30087355             |               |

### RS485 / USS / MODBUS – C-Flanged

| SIMOTICS SD100 – 460V |      |       |      | SINAMICS G120C |      | Drive and motor package |               |
|-----------------------|------|-------|------|----------------|------|-------------------------|---------------|
| HP                    | RPM  | Frame | FLA  | Frame size     | Amps | Part number             | List price \$ |
| 1                     | 3600 | 143TC | 1.4  | A              | 2.6  | A6X30079136             |               |
| 1                     | 1800 | 143TC | 1.4  | A              | 2.6  | A6X30079137             |               |
| 1.5                   | 3600 | 143TC | 2.0  | A              | 3.5  | A6X30079138             |               |
| 1.5                   | 1800 | 145TC | 2.1  | A              | 3.5  | A6X30079139             |               |
| 2                     | 3600 | 145TC | 2.5  | A              | 4.8  | A6X30079140             |               |
| 2                     | 1800 | 145TC | 2.8  | A              | 4.8  | A6X30079141             |               |
| 3                     | 3600 | 182TC | 3.8  | A              | 4.8  | A6X30079142             |               |
| 3                     | 1800 | 182TC | 4.0  | A              | 4.8  | A6X30079143             |               |
| 5                     | 3600 | 184TC | 6.0  | B              | 7.5  | A6X30079099             |               |
| 5                     | 1800 | 184TC | 6.5  | B              | 7.5  | A6X30079100             |               |
| 7.5                   | 3600 | 213TC | 8.8  | B              | 10.6 | A6X30079191             |               |
| 7.5                   | 1800 | 213TC | 9.7  | B              | 10.6 | A6X30079192             |               |
| 10                    | 3600 | 215TC | 11.5 | C              | 14   | A6X30079193             |               |
| 10                    | 1800 | 215TC | 12.5 | C              | 14   | A6X30079194             |               |
| 15                    | 3600 | 254TC | 17.5 | C              | 21.3 | A6X30079195             |               |
| 15                    | 1800 | 254TC | 19.0 | C              | 21.3 | A6X30079196             |               |
| 20                    | 3600 | 256TC | 22.5 | C              | 26.4 | A6X30079197             |               |
| 20                    | 1800 | 256TC | 25.0 | C              | 26.4 | A6X30079198             |               |

# Matched drive motor combination package

## Integrated drive systems – SINAMICS G120C and SIMOTICS SD100

### Profibus – C-Flanged

| SIMOTICS SD100 – 460V |      |       |      | SINAMICS G120C |      | Drive and Motor Package |               |
|-----------------------|------|-------|------|----------------|------|-------------------------|---------------|
| HP                    | RPM  | Frame | FLA  | Frame Size     | Amps | Part Number             | List price \$ |
| 1                     | 3600 | 143TC | 1.4  | A              | 2.6  | A6X30079254             |               |
| 1                     | 1800 | 143TC | 1.4  | A              | 2.6  | A6X30079255             |               |
| 1.5                   | 3600 | 143TC | 2.0  | A              | 3.5  | A6X30079256             |               |
| 1.5                   | 1800 | 145TC | 2.1  | A              | 3.5  | A6X30079257             |               |
| 2                     | 3600 | 145TC | 2.5  | A              | 4.8  | A6X30079258             |               |
| 2                     | 1800 | 145TC | 2.8  | A              | 4.8  | A6X30079259             |               |
| 3                     | 3600 | 182TC | 3.8  | A              | 4.8  | A6X30079260             |               |
| 3                     | 1800 | 182TC | 4.0  | A              | 4.8  | A6X30079271             |               |
| 5                     | 3600 | 184TC | 6.0  | B              | 7.5  | A6X30079272             |               |
| 5                     | 1800 | 184TC | 6.5  | B              | 7.5  | A6X30079273             |               |
| 7.5                   | 3600 | 213TC | 8.8  | B              | 10.6 | A6X30079274             |               |
| 7.5                   | 1800 | 213TC | 9.7  | B              | 10.6 | A6X30079275             |               |
| 10                    | 3600 | 215TC | 11.5 | C              | 14   | A6X30079276             |               |
| 10                    | 1800 | 215TC | 12.5 | C              | 14   | A6X30079277             |               |
| 15                    | 3600 | 254TC | 17.5 | C              | 21.3 | A6X30079278             |               |
| 15                    | 1800 | 254TC | 19.0 | C              | 21.3 | A6X30079279             |               |
| 20                    | 3600 | 256TC | 22.5 | C              | 26.4 | A6X30079280             |               |
| 20                    | 1800 | 256TC | 25.0 | C              | 26.4 | A6X30079281             |               |

### Profinet or EtherNet / IP – C-Flanged

| SIMOTICS SD100 – 460V |      |       |      | SINAMICS G120C |      | Drive and Motor Package |               |
|-----------------------|------|-------|------|----------------|------|-------------------------|---------------|
| HP                    | RPM  | Frame | FLA  | Frame Size     | Amps | Part Number             | List price \$ |
| 1                     | 3600 | 143TC | 1.4  | A              | 2.6  | A6X30087356             |               |
| 1                     | 1800 | 143TC | 1.4  | A              | 2.6  | A6X30087357             |               |
| 1.5                   | 3600 | 143TC | 2.0  | A              | 3.5  | A6X30087358             |               |
| 1.5                   | 1800 | 145TC | 2.1  | A              | 3.5  | A6X30087359             |               |
| 2                     | 3600 | 145TC | 2.5  | A              | 4.8  | A6X30087360             |               |
| 2                     | 1800 | 145TC | 2.8  | A              | 4.8  | A6X30087481             |               |
| 3                     | 3600 | 182TC | 3.8  | A              | 4.8  | A6X30087482             |               |
| 3                     | 1800 | 182TC | 4.0  | A              | 4.8  | A6X30087483             |               |
| 5                     | 3600 | 184TC | 6.0  | B              | 7.5  | A6X30087484             |               |
| 5                     | 1800 | 184TC | 6.5  | B              | 7.5  | A6X30087485             |               |
| 7.5                   | 3600 | 213TC | 8.8  | B              | 10.6 | A6X30087486             |               |
| 7.5                   | 1800 | 213TC | 9.7  | B              | 10.6 | A6X30087487             |               |
| 10                    | 3600 | 215TC | 11.5 | C              | 14   | A6X30087488             |               |
| 10                    | 1800 | 215TC | 12.5 | C              | 14   | A6X30087489             |               |
| 15                    | 3600 | 254TC | 17.5 | C              | 21.3 | A6X30087490             |               |
| 15                    | 1800 | 254TC | 19.0 | C              | 21.3 | A6X30087491             |               |
| 20                    | 3600 | 256TC | 22.5 | C              | 26.4 | A6X30087492             |               |
| 20                    | 1800 | 256TC | 25.0 | C              | 26.4 | A6X30087493             |               |

### Accessories

| Part Name                                | Part Number        | List price \$ |
|--|--------------------|---------------|
| SINAMICS G120 Intelligent Operator Panel | 6SL3255-0AA00-4JA1 |               |

# SIMOTICS severe duty motors

## SD100 (Cast Iron frame)

### Spare Parts

#### C-Face Bearing Housing

| Frame  | Motor Type | Part Number   | Description |        | List Price \$ |
|--------|------------|---------------|-------------|--------|---------------|
| 140TC  | SD100      | 3MSP220074101 | Cast iron   | C-Face |               |
| 180TC  | SD100      | 3MSP221074101 | Cast iron   | C-Face |               |
| 210TC  | SD100      | 3MSP222074101 | Cast iron   | C-Face |               |
| 250TC  | SD100      | ING351601     | Cast iron   | C-Face |               |
| 280TC  | SD100      | 3MSP710111201 | Cast Iron   | C-Face |               |
| 320TC  | SD100      | 3MSP720111201 | Cast Iron   | C-Face |               |
| 360TC  | SD100      | 3MSP730111201 | Cast Iron   | C-Face |               |
| 400TC  | SD100      | 51905869002   | Cast Iron   | C-Face |               |
| 440TC  | SD100      | 51905923005   | Cast Iron   | C-Face |               |
| 440TSC | SD100      | 51905923002   | Cast Iron   | C-Face |               |

#### D-Flange Bearing Housing

| Frame  | Motor Type | Part Number   | Description |          | List Price \$ |
|--------|------------|---------------|-------------|----------|---------------|
| 140TD  | SD100      | 3MSP220074501 | Cast iron   | D-Flange |               |
| 180TD  | SD100      | 3MSP221074501 | Cast iron   | D-Flange |               |
| 210TD  | SD100      | 3MSP222074501 | Cast iron   | D-Flange |               |
| 250TD  | SD100      | ING351901     | Cast iron   | D-Flange |               |
| 280TD  | SD100      | 3MSP710111501 | Cast iron   | D-Flange |               |
| 320TD  | SD100      | 3MSP720111501 | Cast iron   | D-Flange |               |
| 360TD  | SD100      | 3MSP730111501 | Cast iron   | D-Flange |               |
| 400TD  | SD100      | 51905870002   | Cast iron   | D-Flange |               |
| 440TD  | SD100      | 51905933004   | Cast iron   | D-Flange |               |
| 440TSD | SD100      | 51905933003   | Cast iron   | D-Flange |               |

#### C-Face / InproSeal® Kits

| Frame | Motor Type | Part Number     | Description |        | List Price \$ |
|-------|------------|-----------------|-------------|--------|---------------|
| 140TC | SD100 841  | US2:51602570501 | Cast Iron   | C-Face |               |
| 180TC | SD100 841  | US2:51602571501 | Cast Iron   | C-Face |               |
| 210TC | SD100 841  | US2:51602572501 | Cast Iron   | C-Face |               |
| 250TC | SD100 841  | US2:51602573501 | Cast Iron   | C-Face |               |
| 280TC | SD100 841  | US2:51010902029 | Cast Iron   | C-Face |               |
| 320TC | SD100 841  | US2:51010902034 | Cast Iron   | C-Face |               |
| 360TC | SD100 841  | US2:51010902039 | Cast Iron   | C-Face |               |
| 400TC | SD100 841  | US2:51010902042 | Cast Iron   | C-Face |               |

#### D-Flange / InproSeal® Kits

| Frame       | Motor Type | Part Number                | Description |          | List Price \$ |
|-------------|------------|----------------------------|-------------|----------|---------------|
| 140TD       | SD100 841  | US2:51602590501            | Cast Iron   | D-Flange |               |
| 180TD       | SD100 841  | US2:51602591501            | Cast Iron   | D-Flange |               |
| 210TD       | SD100 841  | US2:51602592501            | Cast Iron   | D-Flange |               |
| 250TD       | SD100 841  | US2:51602593501            | Cast Iron   | D-Flange |               |
| 280TD-440TD | SD100 841  | Please consult the factory |             |          |               |

# SIMOTICS severe duty motors

## SD100 (Cast Iron frame)

## Spare Parts

### Bearings

| Frame                      | Motor Type | Part Number | Description |                                | List Price \$ |
|----------------------------|------------|-------------|-------------|--------------------------------|---------------|
| 140T                       | SD100      | 51601983005 | DE/ODE      | Bearing, 6205 ZZ C3 25BC02JPP3 |               |
| 180T                       | SD100      | 51601983006 | DE/ODE      | Bearing, 6206 ZZ C3 30BC02JPP3 |               |
| 210T                       | SD100      | 51601983008 | DE/ODE      | Bearing, 6208 ZZ C3 40BC02JPP3 |               |
| 250T                       | SD100      | 51601984009 | DE/ODE      | Bearing, 6309 ZZ C3 45BC03JPP3 |               |
| 280T                       | SD100      | 51380865010 | DE/ODE      | Bearing, 6310 Z C3 50BC03JP3   |               |
| 280T                       | SD100      | 51380865010 | DE/ODE      | Bearing, 6310 Z C3 50BC03JP3   |               |
| 320T                       | SD100      | 51380865012 | DE/ODE      | Bearing, 6312 Z C3 60BC03JP3   |               |
| 360T                       | SD100      | 51380865014 | DE/ODE      | Bearing, 6314 Z C3 70BC03JP3   |               |
| 400T                       | SD100      | 51380865016 | DE/ODE      | Bearing, 6316 Z C3 80BC03JP3   |               |
| B440T (TC/TD)              | SD100      | 51380865018 | DE          | Bearing, 6318 Z C3 90BC03JP3   |               |
| 444T, 445T (NU)            | SD100      | 51674954018 | DE          | Bearing, NU 318 C3 90RU03M0    |               |
| 447T, 449T (NU)            | SD100      | 51674954020 | DE          | Bearing, NU 320 C3 100RU03M0   |               |
| 440T (TC/TD);<br>440T (NU) | SD100      | 51380865016 | ODE         | Bearing, 6316 Z C3 80BC03JP3   |               |
| 440TS (TSC/TSD)            | SD100      | 51380865016 | DE/ODE      | Bearing, 6316 Z C3 80BC03JP3   |               |
| S449LS (NU)                | SD100      | 51674954020 | DE          | Bearing, NU 320 C3 100RU03M0   |               |
| S449LS (NU)                | SD100      | 51601984015 | ODE         | Bearing, 6315 ZZ C3 75BC03JPP3 |               |
| S449SS                     | SD100      | 51601984015 | DE/ODE      | Bearing, 6315 ZZ C3 75BC03JPP3 |               |

### Fan Housing

| Frame | Motor Type | Part Number       | Description |                               | List Price \$ |
|-------|------------|-------------------|-------------|-------------------------------|---------------|
| 140T  | SD100      | 3MSP220079201     | Cast Iron   | Fan Housing                   |               |
| 180T  | SD100      | 3MSP221079201     | Cast Iron   | Fan Housing                   |               |
| 210T  | SD100      | 3MSP222079201     | Cast Iron   | Fan Housing                   |               |
| 250T  | SD100      | 3MSP223079201     | Cast Iron   | Fan Housing                   |               |
| 280T  | SD100      | 3MSP710114901     | Cast Iron   | Fan Housing                   |               |
| 320T  | SD100      | 3MSP720114901     | Cast Iron   | Fan Housing                   |               |
| 360T  | SD100      | 3MSP730114901     | Cast Iron   | Fan Housing                   |               |
| 360T  | SD100      | US2:3MSP730205901 | Cast Iron   | Grid                          |               |
| 400T  | SD100      | 51816819001       | Cast Iron   | Fan Housing                   |               |
| 400T  | SD100      | 51816825001       | Cast Iron   | Grid                          |               |
| 440T  | SD100      | 51817031002       | Cast Iron   | Fan housing (Drip Cov. ready) |               |
| 440T  | SD100      | 51817046001       | Cast Iron   | Grid                          |               |
| 140T  | SD100      | 3MSP220080601     | Cast Iron   | Fan housing for Drip Cover    |               |
| 180T  | SD100      | 3MSP221080601     | Cast Iron   | Fan housing for Drip Cover    |               |
| 210T  | SD100      | 3MSP222080601     | Cast Iron   | Fan housing for Drip Cover    |               |
| 250T  | SD100      | 3MSP223080601     | Cast Iron   | Fan housing for Drip Cover    |               |

# SIMOTICS severe duty motors

## SD100 (Cast Iron frame)

### Spare Parts

#### Cooling Fan

| Frame                  | Motor Type | Part Number   | Description         |             | List Price \$ |
|------------------------|------------|---------------|---------------------|-------------|---------------|
| 140T                   | SD100      | 3MSG221079602 | 900                 | Cooling Fan |               |
| 210T                   | SD100      | 3MSG223079603 | 900                 | Cooling Fan |               |
| 250T                   | SD100      | 3MSG223079601 | 900                 | Cooling Fan |               |
| 280T                   | SD100      | 51817700002   | 900                 | Cooling Fan |               |
| 320T                   | SD100      | 51817700001   | 900                 | Cooling Fan |               |
| 360T                   | SD100      | 51816861002   | 900                 | Cooling Fan |               |
| 400T                   | SD100      | 51816861002   | 900                 | Cooling Fan |               |
| 444T,445T, 447T        | SD100      | 51816861001   | 900- 75HP to 150HP. | Cooling Fan |               |
| 140T                   | SD100      | 3MSG221079604 | 1200                | Cooling Fan |               |
| 180T                   | SD100      | 3MSG221079602 | 1200                | Cooling Fan |               |
| 210T                   | SD100      | 3MSG223079603 | 1200                | Cooling Fan |               |
| 250T                   | SD100      | 3MSG223079607 | 1200                | Cooling Fan |               |
| 280T                   | SD100      | 51817700005   | 1200                | Cooling Fan |               |
| 320T                   | SD100      | 51817700003   | 1200                | Cooling Fan |               |
| 360T                   | SD100      | 51816861004   | 1200                | Cooling Fan |               |
| 400T                   | SD100      | 51816861002   | 1200                | Cooling Fan |               |
| 444T, 445T             | SD100      | 51816861002   | 1200                | Cooling Fan |               |
| 447T                   | SD100      | 51516861003   | 1200                | Cooling Fan |               |
| 449T                   | SD100      | 51816861002   | 1200 - 200HP        | Cooling Fan |               |
| 449T                   | SD100      | 51771077001   | 1200 - 250HP        | Cooling Fan |               |
| 140T                   | SD100      | 3MSG221079604 | 1800                | Cooling Fan |               |
| 180T                   | SD100      | 3MSG221079602 | 1800                | Cooling Fan |               |
| 210T                   | SD100      | 3MSG223079607 | 1800                | Cooling Fan |               |
| 250T                   | SD100      | 3MSG223079603 | 1800                | Cooling Fan |               |
| 280T                   | SD100      | 51817700006   | 1800                | Cooling Fan |               |
| 320T                   | SD100      | 51817700005   | 1800                | Cooling Fan |               |
| 360T                   | SD100      | 51816861005   | 1800                | Cooling Fan |               |
| 400T                   | SD100      | 51816861004   | 1800                | Cooling Fan |               |
| 444T, 445T, 447T, 449T | SD100      | 51816861003   | 1800                | Cooling Fan |               |
| 449T                   | SD100      | 51771077001   | 1800 - 300HP        | Cooling Fan |               |

# SIMOTICS severe duty motors

## SD100 (Cast Iron frame)

## Spare Parts

### Cooling Fan

| Frame      | Motor Type | Part Number   | Description            |             | List Price \$ |
|------------|------------|---------------|------------------------|-------------|---------------|
| 140T       | SD100      | 3MSG221079606 | 3600                   | Cooling Fan |               |
| 180T       | SD100      | 3MSG221079604 | 3600                   | Cooling Fan |               |
| 210T       | SD100      | 3MSG223079610 | 3600                   | Cooling Fan |               |
| 250T       | SD100      | 3MSG223079610 | 3600                   | Cooling Fan |               |
| 280T       | SD100      | 51817700007   | 3600                   | Cooling Fan |               |
| 320T       | SD100      | 51817700006   | 3600                   | Cooling Fan |               |
| 364T       | SD100      | 51817700006   | 3600 - 60HP            | Cooling Fan |               |
| 365T       | SD100      | 51817700003   | 3600 - 75HP            | Cooling Fan |               |
| 400T       | SD100      | 51816861005   | 3600                   | Cooling Fan |               |
| 444T, 445T | SD100      | 51816861005   | 3600 - 125HP;<br>150HP | Cooling Fan |               |
| 447T       | SD100      | 51816861004   | 3600                   | Cooling Fan |               |
| 449T       | SD100      | 51816861003   | 3600 - 300HP           | Cooling Fan |               |

### Drip Cover

| Frame | Motor Type | Part Number   | Description |            | List Price \$ |
|-------|------------|---------------|-------------|------------|---------------|
| 140T  | SD100      | 3MSP223080701 | Cast Iron   | Drip Cover |               |
| 180T  | SD100      | 3MSP223080702 | Cast Iron   | Drip Cover |               |
| 210T  | SD100      | 3MSP223080703 | Cast Iron   | Drip Cover |               |
| 250T  | SD100      | 3MSP223080704 | Cast Iron   | Drip Cover |               |
| 280T  | SD100      | 51770675005   | Cast Iron   | Drip Cover |               |
| 320T  | SD100      | 51770675004   | Cast Iron   | Drip Cover |               |
| 360T  | SD100      | 51770675003   | Cast Iron   | Drip Cover |               |
| 400T  | SD100      | 51770675001   | Cast Iron   | Drip Cover |               |
| 440T  | SD100      | 51770675002   | Cast Iron   | Drip Cover |               |

### Main Terminal Box

| Frame            | Motor Type | Part Number    | Description |             | List Price \$ |
|------------------|------------|----------------|-------------|-------------|---------------|
| 140T             | SD100      | 3MSG221081501  | Cast Iron   | Conduit Box |               |
| 180T             | SD100      | 3MSG221081501  | Cast Iron   | Conduit Box |               |
| 210T             | SD100      | 3MSG223081501  | Cast Iron   | Conduit Box |               |
| 250T             | SD100      | 3MSG223081502  | Cast Iron   | Conduit Box |               |
| 280T             | SD100      | 67372007000500 | Cast Iron   | Conduit Box |               |
| 320T             | SD100      | 67372009000500 | Cast Iron   | Conduit Box |               |
| 360T             | SD100      | 67372011000500 | Cast Iron   | Conduit Box |               |
| 400T             | SD100      | 67372011000500 | Cast Iron   | Conduit Box |               |
| 444T; 445T; 447T | SD100      | 67372011000500 | Cast Iron   | Conduit Box |               |
| 449T             | SD100      | 3MSG700088601  | Cast Iron   | Conduit Box |               |
| S449             | SD100      | 3MSG700088601  | Cast Iron   | Conduit Box |               |



# SIMOTICS Severe duty motors

## SD100 IEEE841

**SD100 IEEE841** severe duty/IEEE 841 TEFC motors are available in two configurations which exceed NEMA Premium® efficiency with our exclusive, leading-edge, die cast copper rotor design (143T-256T) or meet NEMA Premium® efficiency with our die cast aluminum rotor design (143T-S449). They also exceed IEEE Std 841™-2009 standards for high performance, rugged construction and long service life, for the most demanding industrial applications. They are ideal for use in chemical processing, mining, foundry, pulp and paper, waste management and petro/chemical applications.



|                          |  |  |
|--------------------------|--|--|
| HP range                 | Frame Size   | <b>1-400 HP</b><br>143T-S449   |
| Efficiency               | NEMA Premium® Plus<br>NEMA Premium®  | 143T-256T<br>143T-S449   |
| Voltage                  | 460 V<br>575 V   | <b>3 phase 60Hz</b><br>1-400 HP<br>1-400 HP  |
| Insulation 1)            | Insulation Class F<br>Service Factor @ 40°C<br>Temperature rise (Sine wave)  | <b>NEMA design B 2)</b><br>NEMA MG1 Part 31<br>1.15<br>Class B @ 1.0SF<br>Class F @ 1.15SF   |
| Frame                    | 8 hole feet<br>Condensation drains<br>High strength carbon steel shaft<br>Bearing Isolator 4) – IP55               | <b>Cast iron</b><br>Casted<br>T Drains<br>C1045<br>DE & NDE<br>Two on lowest point in frame  |
| Stator/Windings rotor    | Stator<br>Rotor, die cast copper<br>Rotor, die cast aluminum   | Random wound copper<br>143T-256T<br>143T-S449  |
| Conduit box              | Cast iron<br>Neoprene gasket   | <b>Oversized</b><br>143T-S449<br>143T-S449   |
| Bearings                 | Double shielded<br>Single shielded<br>Bearing housing<br>Grease<br>Inlet / relief fittings                         | S449<br>143T-449T<br>Cast iron<br>Polyurea base<br>Alemite / pressure (auto)<br>Bearing caps   |
| Fan and fan cover        | Cast iron<br>Bidirectional fan<br><br>Uni-directional fan  | 143T-S449<br>143T-256T<br>Bronze S449<br>4 Pole - 300HP<br>2 & 4 Pole 350-400HP<br>Polypropylene   |
| Hardware                 | Nameplate<br>Lifting eyebolt<br>Paint  | <b>Rust resistant</b> Zinc plated<br>Stainless steel embossed<br>Included<br>Alkyd Modified -RAL7030   |
| Inverter duty            | Variable torque 20:1<br>Constant torque 20:1<br>Constant torque 10:1<br>Constant torque 6:1<br>Constant torque 4:1 | 143T-S449<br>4-Pole 143T-365T Al & Cu rotor<br>Cu rotor 143T-256T & 4 Pole Al rotor 404T-445T 3)<br>4 Pole Al rotor 447T 3)<br>2, 6, 8 Pole Al rotor 143T-449T |
| Hazardous classification | Service factor 1.0<br><br>Service factor 1.15  | CSA – 143-S449 (40°C)<br>Class I, Division 2, T3 temperature<br>code 449-S449 T2D<br>NA  |

NEMA Premium® is a certification mark of the National Electrical Manufacturers Association.

1) Standard voltage for stock items, see option selection and pricing section for additional voltages.

2) NEMA design A: 250HP and 300HP, 4 and 6 pole.

3) Available as option (M05, VSD fan).

4) Improv/Seal®.

# SIMOTICS Severe duty motors

## SD100 IEEE841 (Cast iron frame)

NEMA Premium®  
Die cast aluminum rotor

### 460V 60Hz – Foot mounted

| HP  | RPM  | Frame | Voltage | Type          | Part Number      | List Price \$ | Mult. Symb. | FL Amps | FL Nom Eff. (%) | Lbs | Stock |
|-----|------|-------|---------|---------------|------------------|---------------|-------------|---------|-----------------|-----|-------|
| 1   | 3600 | 143T  | 460     | SD100 IEEE841 | 1LE24211AA112AA3 |               | SD3         | 1.4     | 82.5            | 75  | ✓     |
| 1   | 1800 | 143T  | 460     | SD100 IEEE841 | 1LE24211AB212AA3 |               | SD3         | 1.4     | 85.5            | 76  | ✓     |
| 1   | 1200 | 145T  | 460     | SD100 IEEE841 | 1LE24211AC312AA3 |               | SD3         | 1.6     | 82.5            | 77  | ✓     |
| 1   | 900  | 182T  | 460     | SD100 IEEE841 | 1LE24211CD112AA3 |               | SD3         | 2.1     | 81.5            | 106 | ✓     |
| 1.5 | 3600 | 143T  | 460     | SD100 IEEE841 | 1LE24211AA212AA3 |               | SD3         | 2.0     | 84.0            | 70  | ✓     |
| 1.5 | 1800 | 145T  | 460     | SD100 IEEE841 | 1LE24211AB312AA3 |               | SD3         | 2.1     | 86.5            | 80  | ✓     |
| 1.5 | 1200 | 182T  | 460     | SD100 IEEE841 | 1LE24211CC112AA3 |               | SD3         | 2.4     | 87.5            | 113 | ✓     |
| 1.5 | 900  | 184T  | 460     | SD100 IEEE841 | 1LE24211CD312AA3 |               | SD3         | 3.3     | 82.5            | 119 | ✓     |
| 2   | 3600 | 145T  | 460     | SD100 IEEE841 | 1LE24211AA312AA3 |               | SD3         | 2.5     | 85.5            | 72  | ✓     |
| 2   | 1800 | 145T  | 460     | SD100 IEEE841 | 1LE24211AB412AA3 |               | SD3         | 2.8     | 86.5            | 80  | ✓     |
| 2   | 1200 | 184T  | 460     | SD100 IEEE841 | 1LE24211CC312AA3 |               | SD3         | 3.2     | 88.5            | 122 | ✓     |
| 2   | 900  | 213T  | 460     | SD100 IEEE841 | 1LE24212AD112AA3 |               | SD3         | 3.3     | 84.0            | 145 | ✓     |
| 3   | 3600 | 182T  | 460     | SD100 IEEE841 | 1LE24211CA112AA3 |               | SD3         | 3.8     | 86.5            | 107 | ✓     |
| 3   | 1800 | 182T  | 460     | SD100 IEEE841 | 1LE24211CB112AA3 |               | SD3         | 4.0     | 89.5            | 118 | ✓     |
| 3   | 1200 | 213T  | 460     | SD100 IEEE841 | 1LE24212AC112AA3 |               | SD3         | 4.3     | 89.5            | 164 | ✓     |
| 3   | 900  | 215T  | 460     | SD100 IEEE841 | 1LE24212AD212AA3 |               | SD3         | 4.8     | 85.5            | 160 | ✓     |
| 5   | 3600 | 184T  | 460     | SD100 IEEE841 | 1LE24211CA312AA3 |               | SD3         | 6.0     | 88.5            | 118 | ✓     |
| 5   | 1800 | 184T  | 460     | SD100 IEEE841 | 1LE24211CB312AA3 |               | SD3         | 6.5     | 89.5            | 124 | ✓     |
| 5   | 1200 | 215T  | 460     | SD100 IEEE841 | 1LE24212AC212AA3 |               | SD3         | 6.7     | 89.5            | 176 | ✓     |
| 5   | 900  | 254T  | 460     | SD100 IEEE841 | 1LE24212BD112AA3 |               | SD3         | 8.8     | 86.5            | 247 | ✓     |
| 7.5 | 3600 | 213T  | 460     | SD100 IEEE841 | 1LE24212AA112AA3 |               | SD3         | 8.8     | 89.5            | 160 | ✓     |
| 7.5 | 1800 | 213T  | 460     | SD100 IEEE841 | 1LE24212AB112AA3 |               | SD3         | 9.7     | 91.7            | 191 | ✓     |
| 7.5 | 1200 | 254T  | 460     | SD100 IEEE841 | 1LE24212BC112AA3 |               | SD3         | 10.0    | 91.0            | 292 | ✓     |
| 7.5 | 900  | 256T  | 460     | SD100 IEEE841 | 1LE24212BD212AA3 |               | SD3         | 13.0    | 87.5            | 279 | ✓     |
| 10  | 3600 | 215T  | 460     | SD100 IEEE841 | 1LE24212AA212AA3 |               | SD3         | 11.5    | 90.2            | 174 | ✓     |
| 10  | 1800 | 215T  | 460     | SD100 IEEE841 | 1LE24212AB212AA3 |               | SD3         | 12.5    | 91.7            | 197 | ✓     |
| 10  | 1200 | 256T  | 460     | SD100 IEEE841 | 1LE24212BC212AA3 |               | SD3         | 13.5    | 91.0            | 288 | ✓     |
| 10  | 900  | 284T  | 460     | SD100 IEEE841 | 1LE24212CD112AA3 |               | SD3         | 15.0    | 90.2            | 362 | ✓     |
| 15  | 3600 | 254T  | 460     | SD100 IEEE841 | 1LE24212BA112AA3 |               | SD3         | 17.5    | 91.0            | 287 | ✓     |
| 15  | 1800 | 254T  | 460     | SD100 IEEE841 | 1LE24212BB112AA3 |               | SD3         | 19.0    | 92.4            | 289 | ✓     |
| 15  | 1200 | 284T  | 460     | SD100 IEEE841 | 1LE24212CC112AA3 |               | SD3         | 21.0    | 91.7            | 400 | ✓     |
| 15  | 900  | 286T  | 460     | SD100 IEEE841 | 1LE24212CD212AA3 |               | SD3         | 23.0    | 90.2            | 420 | ✓     |
| 20  | 3600 | 256T  | 460     | SD100 IEEE841 | 1LE24212BA212AA3 |               | SD3         | 22.5    | 91.0            | 323 | ✓     |
| 20  | 1800 | 256T  | 460     | SD100 IEEE841 | 1LE24212BB212AA3 |               | SD3         | 25.0    | 93.0            | 322 | ✓     |
| 20  | 1200 | 286T  | 460     | SD100 IEEE841 | 1LE24212CC212AA3 |               | SD3         | 27.0    | 91.7            | 465 | ✓     |
| 20  | 900  | 324T  | 460     | SD100 IEEE841 | 1LE24213AD112AA3 |               | SD3         | 31.0    | 91.0            | 570 | ✓     |

NEMA Premium® is a certification mark of the National Electrical Manufacturers Association.  
QuikMOD Delivery for stocked motors only.  
Stock availability subject to change.

900 RPM Motors meet or exceed EPart efficiency.  
Prices and Specifications are subject to change without notice.  
DOE#CC032A

# SIMOTICS Severe duty motors

## SD100 IEEE841 (Cast iron frame)

NEMA Premium®  
 Die cast aluminum rotor

460V 60Hz – Foot mounted

| HP | RPM  | Frame | Voltage | Type          | Part Number      | List Price \$ | Mult. Symb. | FL Amps | FL Nom Eff. (%) | Lbs  | Stock |
|----|------|-------|---------|---------------|------------------|---------------|-------------|---------|-----------------|------|-------|
| 25 | 3600 | 284TS | 460     | SD100 IEEE841 | 1LE24212DA112AA3 |               | SD3         | 29.0    | 91.7            | 415  | ✓     |
| 25 | 1800 | 284T  | 460     | SD100 IEEE841 | 1LE24212CB112AA3 |               | SD3         | 30.0    | 93.6            | 445  | ✓     |
| 25 | 1800 | 284TS | 460     | SD100 IEEE841 | 1LE24212DB112AA3 |               | SD3         | 30.0    | 93.6            | 445  | ✓     |
| 25 | 1200 | 324T  | 460     | SD100 IEEE841 | 1LE24213AC112AA3 |               | SD3         | 33.0    | 93.0            | 640  | ✓     |
| 25 | 900  | 326T  | 460     | SD100 IEEE841 | 1LE24213AD212AA3 |               | SD3         | 41.0    | 90.2            | 582  | ✓     |
| 30 | 3600 | 286TS | 460     | SD100 IEEE841 | 1LE24212DA212AA3 |               | SD3         | 34.0    | 91.7            | 430  | ✓     |
| 30 | 1800 | 286T  | 460     | SD100 IEEE841 | 1LE24212CB212AA3 |               | SD3         | 35.0    | 93.6            | 465  | ✓     |
| 30 | 1800 | 286TS | 460     | SD100 IEEE841 | 1LE24212DB212AA3 |               | SD3         | 35.0    | 93.6            | 465  | ✓     |
| 30 | 1200 | 326T  | 460     | SD100 IEEE841 | 1LE24213AC212AA3 |               | SD3         | 39.0    | 93.0            | 675  | ✓     |
| 30 | 900  | 364T  | 460     | SD100 IEEE841 | 1LE24213CD112AA3 |               | SD3         | 47.0    | 91.7            | 740  | ✓     |
| 40 | 3600 | 324TS | 460     | SD100 IEEE841 | 1LE24213BA112AA3 |               | SD3         | 45.0    | 93.6            | 575  | ✓     |
| 40 | 1800 | 324T  | 460     | SD100 IEEE841 | 1LE24213AB112AA3 |               | SD3         | 46.0    | 94.1            | 666  | ✓     |
| 40 | 1800 | 324TS | 460     | SD100 IEEE841 | 1LE24213BB112AA3 |               | SD3         | 46.0    | 94.1            | 666  | ✓     |
| 40 | 1200 | 364T  | 460     | SD100 IEEE841 | 1LE24213CC112AA3 |               | SD3         | 49.0    | 94.1            | 863  | ✓     |
| 40 | 900  | 365T  | 460     | SD100 IEEE841 | 1LE24213CD212AA3 |               | SD3         | 63.0    | 91.7            | 840  | ✓     |
| 50 | 3600 | 326TS | 460     | SD100 IEEE841 | 1LE24213BA212AA3 |               | SD3         | 55.0    | 93.6            | 610  | ✓     |
| 50 | 1800 | 326T  | 460     | SD100 IEEE841 | 1LE24213AB212AA3 |               | SD3         | 58.0    | 94.5            | 700  | ✓     |
| 50 | 1800 | 326TS | 460     | SD100 IEEE841 | 1LE24213BB212AA3 |               | SD3         | 58.0    | 94.5            | 700  | ✓     |
| 50 | 1200 | 365T  | 460     | SD100 IEEE841 | 1LE24213CC212AA3 |               | SD3         | 62.0    | 94.1            | 900  | ✓     |
| 50 | 900  | 404T  | 460     | SD100 IEEE841 | 1LE24214AD112AA3 |               | SD3         | 67.0    | 92.4            | 1116 | ✓     |
| 60 | 3600 | 364TS | 460     | SD100 IEEE841 | 1LE24213DA112AA3 |               | SD3         | 68.0    | 93.6            | 717  | ✓     |
| 60 | 1800 | 364T  | 460     | SD100 IEEE841 | 1LE24213CB112AA3 |               | SD3         | 68.0    | 95.0            | 930  | ✓     |
| 60 | 1800 | 364TS | 460     | SD100 IEEE841 | 1LE24213DB112AA3 |               | SD3         | 68.0    | 95.0            | 930  | ✓     |
| 60 | 1200 | 404T  | 460     | SD100 IEEE841 | 1LE24214AC112AA3 |               | SD3         | 74.0    | 94.5            | 1100 | ✓     |
| 60 | 900  | 405T  | 460     | SD100 IEEE841 | 1LE24214AD212AA3 |               | SD3         | 78.0    | 92.4            | 1182 | ✓     |
| 75 | 3600 | 365TS | 460     | SD100 IEEE841 | 1LE24213DA212AA3 |               | SD3         | 86.0    | 94.1            | 815  | ✓     |
| 75 | 1800 | 365T  | 460     | SD100 IEEE841 | 1LE24213CB212AA3 |               | SD3         | 85.0    | 95.4            | 1000 | ✓     |
| 75 | 1800 | 365TS | 460     | SD100 IEEE841 | 1LE24213DB212AA3 |               | SD3         | 85.0    | 95.4            | 1000 | ✓     |
| 75 | 1200 | 405T  | 460     | SD100 IEEE841 | 1LE24214AC212AA3 |               | SD3         | 93.0    | 94.5            | 1150 | ✓     |
| 75 | 900  | 444T  | 460     | SD100 IEEE841 | 1LE24214CD112AA3 |               | SD3         | 94.0    | 93.6            | 1525 | ✓     |
| 75 | 900  | 444TS | 460     | SD100 IEEE841 | 1LE24214DD112AA3 |               | SD3         | 94.0    | 93.6            | 1525 |       |
| 75 | 900  | 444T  | 460     | SD100 IEEE841 | 1LE24214ED112AA3 |               | SD3         | 94.0    | 93.6            | 1525 |       |

NEMA Premium® is a certification mark of the National Electrical Manufacturers Association.  
 QuikMOD Delivery for stocked motors only.  
 Shaded ratings indicated roller bearings.

Stock availability subject to change.  
 900 RPM Motors meet or exceed EPA efficiency.  
 Prices and Specifications are subject to change without notice.  
 DOE#CC032A

# SIMOTICS Severe duty motors

## SD100 IEEE841 (Cast iron frame)

NEMA Premium®  
Die cast aluminum rotor

### 460V 60Hz – Foot mounted

| HP  | RPM  | Frame  | Voltage | Type          | Part Number      | List Price \$ | Mult. Symb. | FL Amps | FL Nom Eff. (%) | Lbs  | Stock |
|-----|------|--------|---------|---------------|------------------|---------------|-------------|---------|-----------------|------|-------|
| 100 | 3600 | 405TS  | 460     | SD100 IEEE841 | 1LE24214BA212AA3 |               | SD3         | 108.0   | 94.1            | 1100 | ✓     |
| 100 | 1800 | 405T   | 460     | SD100 IEEE841 | 1LE24214AB212AA3 |               | SD3         | 113.0   | 95.4            | 1160 | ✓     |
| 100 | 1800 | 405TS  | 460     | SD100 IEEE841 | 1LE24214BB212AA3 |               | SD3         | 113.0   | 95.4            | 1160 | ✓     |
| 100 | 1200 | 444T   | 460     | SD100 IEEE841 | 1LE24214CC112AA3 |               | SD3         | 117.0   | 95.0            | 1545 | ✓     |
| 100 | 1200 | 444TS  | 460     | SD100 IEEE841 | 1LE24214DC112AA3 |               | SD3         | 117.0   | 95.0            | 1545 |       |
| 100 | 1200 | 444T   | 460     | SD100 IEEE841 | 1LE24214EC112AA3 |               | SD3         | 117.0   | 95.0            | 1545 | ✓     |
| 100 | 900  | 445T   | 460     | SD100 IEEE841 | 1LE24214CD212AA3 |               | SD3         | 123.0   | 94.1            | 1697 | ✓     |
| 100 | 900  | 445TS  | 460     | SD100 IEEE841 | 1LE24214DD212AA3 |               | SD3         | 123.0   | 94.1            | 1697 |       |
| 100 | 900  | 445T   | 460     | SD100 IEEE841 | 1LE24214ED212AA3 |               | SD3         | 123.0   | 94.1            | 1697 |       |
| 125 | 3600 | 444TS  | 460     | SD100 IEEE841 | 1LE24214DA112AA3 |               | SD3         | 140.0   | 95.0            | 1454 | ✓     |
| 125 | 1800 | 444T   | 460     | SD100 IEEE841 | 1LE24214CB112AA3 |               | SD3         | 143.0   | 95.4            | 1600 | ✓     |
| 125 | 1800 | 444TS  | 460     | SD100 IEEE841 | 1LE24214DB112AA3 |               | SD3         | 143.0   | 95.4            | 1600 | ✓     |
| 125 | 1800 | 444T   | 460     | SD100 IEEE841 | 1LE24214EB112AA3 |               | SD3         | 143.0   | 95.4            | 1600 | ✓     |
| 125 | 1200 | 445T   | 460     | SD100 IEEE841 | 1LE24214CC212AA3 |               | SD3         | 144.0   | 95.0            | 1720 | ✓     |
| 125 | 1200 | 445TS  | 460     | SD100 IEEE841 | 1LE24214DC212AA3 |               | SD3         | 144.0   | 95.0            | 1720 | ✓     |
| 125 | 1200 | 445T   | 460     | SD100 IEEE841 | 1LE24214EC212AA3 |               | SD3         | 144.0   | 95.0            | 1720 | ✓     |
| 125 | 900  | 447T   | 460     | SD100 IEEE841 | 1LE24214CD312AA3 |               | SD3         | 152.0   | 94.1            | 2018 | ✓     |
| 125 | 900  | 447TS  | 460     | SD100 IEEE841 | 1LE24214DD312AA3 |               | SD3         | 152.0   | 94.1            | 2018 |       |
| 125 | 900  | 447T   | 460     | SD100 IEEE841 | 1LE24214ED312AA3 |               | SD3         | 152.0   | 94.1            | 2018 |       |
| 150 | 3600 | 445TS  | 460     | SD100 IEEE841 | 1LE24214DA212AA3 |               | SD3         | 162.0   | 95.0            | 1615 | ✓     |
| 150 | 1800 | 445T   | 460     | SD100 IEEE841 | 1LE24214CB212AA3 |               | SD3         | 170.0   | 95.8            | 1710 | ✓     |
| 150 | 1800 | 445TS  | 460     | SD100 IEEE841 | 1LE24214DB212AA3 |               | SD3         | 170.0   | 95.8            | 1710 | ✓     |
| 150 | 1800 | 445T   | 460     | SD100 IEEE841 | 1LE24214EB212AA3 |               | SD3         | 170.0   | 95.8            | 1710 | ✓     |
| 150 | 1200 | 447T   | 460     | SD100 IEEE841 | 1LE24214CC312AA3 |               | SD3         | 172.0   | 95.8            | 1995 | ✓     |
| 150 | 1200 | 447TS  | 460     | SD100 IEEE841 | 1LE24214DC312AA3 |               | SD3         | 172.0   | 95.8            | 1995 | ✓     |
| 150 | 1200 | 447T   | 460     | SD100 IEEE841 | 1LE24214EC312AA3 |               | SD3         | 172.0   | 95.8            | 1995 | ✓     |
| 150 | 900  | 449T   | 460     | SD100 IEEE841 | 1LE24214CD512AA3 |               | SD3         | 180.0   | 94.1            | 2480 | ✓     |
| 150 | 900  | 449TS  | 460     | SD100 IEEE841 | 1LE24214DD512AA3 |               | SD3         | 180.0   | 94.1            | 2480 |       |
| 150 | 900  | 449T   | 460     | SD100 IEEE841 | 1LE24214ED512AA3 |               | SD3         | 180.0   | 94.1            | 2480 |       |
| 200 | 3600 | 447TS  | 460     | SD100 IEEE841 | 1LE24214DA312AA3 |               | SD3         | 220.0   | 95.4            | 1890 | ✓     |
| 200 | 1800 | 447T   | 460     | SD100 IEEE841 | 1LE24214CB312AA3 |               | SD3         | 226.0   | 96.2            | 2035 | ✓     |
| 200 | 1800 | 447TS  | 460     | SD100 IEEE841 | 1LE24214DB312AA3 |               | SD3         | 226.0   | 96.2            | 2035 | ✓     |
| 200 | 1800 | 447T   | 460     | SD100 IEEE841 | 1LE24214EB312AA3 |               | SD3         | 226.0   | 96.2            | 2035 | ✓     |
| 200 | 1200 | 449T   | 460     | SD100 IEEE841 | 1LE24214CC512AA3 |               | SD3         | 227.0   | 95.8            | 2425 | ✓     |
| 200 | 1200 | 449TS  | 460     | SD100 IEEE841 | 1LE24214DC512AA3 |               | SD3         | 227.0   | 95.8            | 2425 |       |
| 200 | 1200 | 449T   | 460     | SD100 IEEE841 | 1LE24214EC512AA3 |               | SD3         | 227.0   | 95.8            | 2425 | ✓     |
| 200 | 900  | S449LS | 460     | SD100 IEEE841 | 1LE24214FD112AA3 |               | SD3         | 240.0   | 94.5            | 3200 |       |

NEMA Premium® is a certification mark of the National Electrical Manufacturers Association.  
QuikMOD Delivery for stocked motors only.  
Shaded ratings indicated roller bearings.

Stock availability subject to change.  
900 RPM Motors meet or exceed EPA efficiency.  
Prices and Specifications are subject to change without notice.  
DOE#CC032A

# SIMOTICS Severe duty motors

## SD100 IEEE841 (Cast iron frame)

NEMA Premium®  
 Die cast aluminum rotor

### 460V 60Hz – Foot mounted

| HP  | RPM  | Frame                | Voltage | Type          | Part Number      | List Price \$ | Mult. Symb. | FL Amps | FL Nom Eff. (%) | Lbs  | Stock |
|-----|------|----------------------|---------|---------------|------------------|---------------|-------------|---------|-----------------|------|-------|
| 250 | 3600 | 449TS                | 460     | SD100 IEEE841 | 1LE24214DA512AA3 |               | SD3         | 261.0   | 95.8            | 2272 | ✓     |
| 250 | 1800 | 449T <sup>2)</sup>   | 460     | SD100 IEEE841 | 1LE24214CB512AA3 |               | SD3         | 278.0   | 96.2            | 2425 | ✓     |
| 250 | 1800 | 449TS <sup>2)</sup>  | 460     | SD100 IEEE841 | 1LE24214DB512AA3 |               | SD3         | 278.0   | 96.2            | 2425 |       |
| 250 | 1800 | 449T <sup>2)</sup>   | 460     | SD100 IEEE841 | 1LE24214EB512AA3 |               | SD3         | 278.0   | 96.2            | 2425 | ✓     |
| 250 | 1200 | 449T <sup>2)</sup>   | 460     | SD100 IEEE841 | 1LE24214CC612AA3 |               | SD3         | 281.0   | 95.8            | 2390 | ✓     |
| 250 | 1200 | 449TS <sup>2)</sup>  | 460     | SD100 IEEE841 | 1LE24214DC612AA3 |               | SD3         | 281.0   | 95.8            | 2390 |       |
| 250 | 1200 | 449T <sup>2)</sup>   | 460     | SD100 IEEE841 | 1LE24214EC612AA3 |               | SD3         | 281.0   | 95.8            | 2390 |       |
| 250 | 900  | S449LS               | 460     | SD100 IEEE841 | 1LE24214FD212AA3 |               | SD3         | 303     | 94.5            | 3220 |       |
| 300 | 3600 | 449TS                | 460     | SD100 IEEE841 | 1LE24214DA612AA3 |               | SD3         | 312.0   | 95.8            | 2200 | ✓     |
| 300 | 1800 | S449LS <sup>1)</sup> | 460     | SD100 IEEE841 | 1LE24214FB112AA3 |               | SD3         | 334.0   | 96.2            | 3130 |       |
| 300 | 1800 | S449SS <sup>1)</sup> | 460     | SD100 IEEE841 | 1LE24214GB112AA3 |               | SD3         | 334.0   | 96.2            | 3130 |       |
| 300 | 1200 | S449LS <sup>2)</sup> | 460     | SD100 IEEE841 | 1LE24214FC112AA3 |               | SD3         | 340.0   | 95.8            | 3240 | ✓     |
| 300 | 1200 | S449SS <sup>2)</sup> | 460     | SD100 IEEE841 | 1LE24214GC112AA3 |               | SD3         | 340.0   | 95.8            | 3240 |       |
| 350 | 3600 | S449SS <sup>1)</sup> | 460     | SD100 IEEE841 | 1LE24214GA112AA3 |               | SD3         | 370.0   | 95.8            | 2890 | ✓     |
| 350 | 1800 | S449LS <sup>1)</sup> | 460     | SD100 IEEE841 | 1LE24214FB212AA3 |               | SD3         | 390.0   | 96.2            | 3190 |       |
| 350 | 1800 | S449SS <sup>1)</sup> | 460     | SD100 IEEE841 | 1LE24214GB212AA3 |               | SD3         | 390.0   | 96.2            | 3190 |       |
| 400 | 3600 | S449SS <sup>1)</sup> | 460     | SD100 IEEE841 | 1LE24214GA312AA3 |               | SD3         | 422.0   | 95.8            | 3065 | ✓     |
| 400 | 1800 | S449LS <sup>1)</sup> | 460     | SD100 IEEE841 | 1LE24214FB312AA3 |               | SD3         | 454.0   | 96.2            | 3240 |       |
| 400 | 1800 | S449SS <sup>1)</sup> | 460     | SD100 IEEE841 | 1LE24214GB312AA3 |               | SD3         | 454.0   | 96.2            | 3240 | ✓     |

ATOORSANAT

NEMA Premium® is a certification mark of the National Electrical Manufacturers Association.  
 QuikMOD Delivery for stocked motors only.  
 Shaded ratings indicated roller bearings.  
 Stock availability subject to change.

1) CW Rotation facing opposite DE  
 2) NEMA design A  
 900 RPM Motors meet or exceed EPA efficiency.  
 Prices and Specifications are subject to change without notice.  
 DOE#CC032A

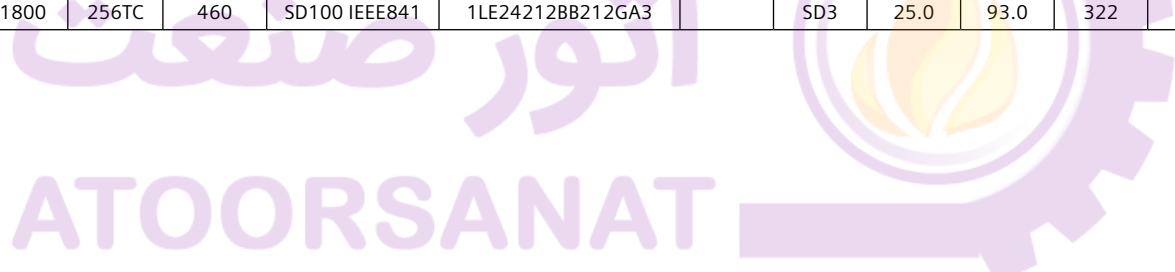
# SIMOTICS Severe duty motors

## SD100 IEEE841 (Cast iron frame)

NEMA Premium®  
Die cast aluminum rotor

460V 60Hz – C-face footless

| HP  | RPM  | Frame | Voltage | Type          | Part Number      | List Price \$ | Mult. Symb. | FL Amps | FL Nom Eff. (%) | Lbs | Stock |
|-----|------|-------|---------|---------------|------------------|---------------|-------------|---------|-----------------|-----|-------|
| 1   | 3600 | 143TC | 460     | SD100 IEEE841 | 1LE24211AA112GA3 |               | SD3         | 1.4     | 82.5            | 75  | ✓     |
| 1   | 1800 | 143TC | 460     | SD100 IEEE841 | 1LE24211AB212GA3 |               | SD3         | 1.4     | 85.5            | 76  | ✓     |
| 1.5 | 3600 | 143TC | 460     | SD100 IEEE841 | 1LE24211AA212GA3 |               | SD3         | 2.0     | 84.0            | 70  | ✓     |
| 1.5 | 1800 | 145TC | 460     | SD100 IEEE841 | 1LE24211AB312GA3 |               | SD3         | 2.1     | 86.5            | 80  | ✓     |
| 2   | 3600 | 145TC | 460     | SD100 IEEE841 | 1LE24211AA312GA3 |               | SD3         | 2.5     | 85.5            | 72  | ✓     |
| 2   | 1800 | 145TC | 460     | SD100 IEEE841 | 1LE24211AB412GA3 |               | SD3         | 2.8     | 86.5            | 80  | ✓     |
| 3   | 3600 | 182TC | 460     | SD100 IEEE841 | 1LE24211CA112GA3 |               | SD3         | 3.8     | 86.5            | 107 | ✓     |
| 3   | 1800 | 182TC | 460     | SD100 IEEE841 | 1LE24211CB112GA3 |               | SD3         | 4.0     | 89.5            | 118 | ✓     |
| 5   | 3600 | 184TC | 460     | SD100 IEEE841 | 1LE24211CA312GA3 |               | SD3         | 6.0     | 88.5            | 118 | ✓     |
| 5   | 1800 | 184TC | 460     | SD100 IEEE841 | 1LE24211CB312GA3 |               | SD3         | 6.5     | 89.5            | 124 | ✓     |
| 7.5 | 3600 | 213TC | 460     | SD100 IEEE841 | 1LE24212AA112GA3 |               | SD3         | 8.8     | 89.5            | 160 | ✓     |
| 7.5 | 1800 | 213TC | 460     | SD100 IEEE841 | 1LE24212AB112GA3 |               | SD3         | 9.7     | 91.7            | 191 | ✓     |
| 10  | 3600 | 215TC | 460     | SD100 IEEE841 | 1LE24212AA212GA3 |               | SD3         | 11.5    | 90.2            | 174 | ✓     |
| 10  | 1800 | 215TC | 460     | SD100 IEEE841 | 1LE24212AB212GA3 |               | SD3         | 12.5    | 91.7            | 197 | ✓     |
| 15  | 3600 | 254TC | 460     | SD100 IEEE841 | 1LE24212BA112GA3 |               | SD3         | 17.5    | 91.0            | 287 | ✓     |
| 15  | 1800 | 254TC | 460     | SD100 IEEE841 | 1LE24212BB112GA3 |               | SD3         | 19.0    | 92.4            | 289 | ✓     |
| 20  | 3600 | 256TC | 460     | SD100 IEEE841 | 1LE24212BA212GA3 |               | SD3         | 22.5    | 91.0            | 323 | ✓     |
| 20  | 1800 | 256TC | 460     | SD100 IEEE841 | 1LE24212BB212GA3 |               | SD3         | 25.0    | 93.0            | 322 | ✓     |



NEMA Premium® is a certification mark of the National Electrical Manufacturers Association.  
QuikMOD Delivery for stocked motors only.

Stock availability subject to change.  
Prices and Specifications are subject to change without notice.  
DOE#CC032A

# SIMOTICS Severe duty motors

## SD100 IEEE841 (Cast iron frame)

NEMA Premium®  
Die cast copper rotor

460V 60Hz – Foot mounted

| HP  | RPM  | Frame | Voltage | Type          | Part Number      | List Price \$ | Mult. Symb. | FL Amps | FL Nom Eff. (%) | Lbs | Stock |
|-----|------|-------|---------|---------------|------------------|---------------|-------------|---------|-----------------|-----|-------|
| 1   | 1800 | 143T  | 460     | SD100 IEEE841 | 1LE24111AB212AA3 |               | SD3         | 1.5     | 86.5            | 81  | ✓     |
| 1   | 1200 | 145T  | 460     | SD100 IEEE841 | 1LE24111AC312AA3 |               | SD3         | 1.6     | 84.0            | 81  | ✓     |
| 1.5 | 3600 | 143T  | 460     | SD100 IEEE841 | 1LE24111AA212AA3 |               | SD3         | 1.9     | 87.5            | 80  | ✓     |
| 1.5 | 1800 | 145T  | 460     | SD100 IEEE841 | 1LE24111AB312AA3 |               | SD3         | 2.1     | 87.5            | 81  | ✓     |
| 2   | 3600 | 145T  | 460     | SD100 IEEE841 | 1LE24111AA312AA3 |               | SD3         | 2.6     | 88.5            | 80  | ✓     |
| 2   | 1800 | 145T  | 460     | SD100 IEEE841 | 1LE24111AB412AA3 |               | SD3         | 2.8     | 87.5            | 81  | ✓     |
| 3   | 3600 | 182T  | 460     | SD100 IEEE841 | 1LE24111CA112AA3 |               | SD3         | 3.8     | 89.5            | 121 | ✓     |
| 3   | 1800 | 182T  | 460     | SD100 IEEE841 | 1LE24111CB112AA3 |               | SD3         | 4.0     | 90.2            | 125 | ✓     |
| 3   | 1200 | 213T  | 460     | SD100 IEEE841 | 1LE24112AC112AA3 |               | SD3         | 4.3     | 90.2            | 170 | ✓     |
| 5   | 3600 | 184T  | 460     | SD100 IEEE841 | 1LE24111CA312AA3 |               | SD3         | 6.2     | 90.2            | 123 | ✓     |
| 5   | 1800 | 184T  | 460     | SD100 IEEE841 | 1LE24111CB312AA3 |               | SD3         | 6.7     | 90.2            | 129 | ✓     |
| 5   | 1200 | 215T  | 460     | SD100 IEEE841 | 1LE24112AC212AA3 |               | SD3         | 7.0     | 90.2            | 184 | ✓     |
| 7.5 | 3600 | 213T  | 460     | SD100 IEEE841 | 1LE24112AA112AA3 |               | SD3         | 8.5     | 91.7            | 191 | ✓     |
| 7.5 | 1800 | 213T  | 460     | SD100 IEEE841 | 1LE24112AB112AA3 |               | SD3         | 9.5     | 92.4            | 198 | ✓     |
| 7.5 | 1200 | 254T  | 460     | SD100 IEEE841 | 1LE24112BC112AA3 |               | SD3         | 10.5    | 92.4            | 336 | ✓     |
| 10  | 3600 | 215T  | 460     | SD100 IEEE841 | 1LE24112AA212AA3 |               | SD3         | 11.5    | 91.7            | 196 | ✓     |
| 10  | 1800 | 215T  | 460     | SD100 IEEE841 | 1LE24112AB212AA3 |               | SD3         | 12.5    | 92.4            | 206 | ✓     |
| 10  | 1200 | 256T  | 460     | SD100 IEEE841 | 1LE24112BC212AA3 |               | SD3         | 13.5    | 92.4            | 337 | ✓     |
| 15  | 3600 | 254T  | 460     | SD100 IEEE841 | 1LE24112BA112AA3 |               | SD3         | 17.0    | 92.4            | 309 | ✓     |
| 15  | 1800 | 254T  | 460     | SD100 IEEE841 | 1LE24112BB112AA3 |               | SD3         | 19.0    | 93.0            | 297 | ✓     |
| 20  | 3600 | 256T  | 460     | SD100 IEEE841 | 1LE24112BA212AA3 |               | SD3         | 22.5    | 92.4            | 333 | ✓     |
| 20  | 1800 | 256T  | 460     | SD100 IEEE841 | 1LE24112BB212AA3 |               | SD3         | 25.0    | 93.6            | 341 | ✓     |

ATOORSANAT

NEMA Premium® is a certification mark of the National Electrical Manufacturers Association.  
QuikMOD Delivery for stocked motors only.

Stock availability subject to change.  
Prices and Specifications are subject to change without notice.  
DOE#CC032A

# SIMOTICS Severe duty motors

## SD100 IEEE841 (Cast iron frame)

NEMA Premium®  
Die cast aluminum rotor

575V 60Hz – Foot mounted

| HP  | RPM  | Frame | Voltage | Type          | Part Number      | List Price \$ | Mult. Symb. | FL Amps | FL Nom Eff. (%) | Lbs | Stock |
|-----|------|-------|---------|---------------|------------------|---------------|-------------|---------|-----------------|-----|-------|
| 1   | 3600 | 143T  | 575     | SD100 IEEE841 | 1LE24211AA113AA3 |               | SD3         | 1.1     | 82.5            | 75  | ✓     |
| 1   | 1800 | 143T  | 575     | SD100 IEEE841 | 1LE24211AB213AA3 |               | SD3         | 1.1     | 85.5            | 76  | ✓     |
| 1   | 1200 | 145T  | 575     | SD100 IEEE841 | 1LE24211AC313AA3 |               | SD3         | 1.3     | 82.5            | 77  | ✓     |
| 1   | 900  | 182T  | 575     | SD100 IEEE841 | 1LE24211CD113AA3 |               | SD3         | 1.7     | 81.5            | 106 |       |
| 1.5 | 3600 | 143T  | 575     | SD100 IEEE841 | 1LE24211AA213AA3 |               | SD3         | 1.6     | 84.0            | 70  | ✓     |
| 1.5 | 1800 | 145T  | 575     | SD100 IEEE841 | 1LE24211AB313AA3 |               | SD3         | 1.7     | 86.5            | 80  | ✓     |
| 1.5 | 1200 | 182T  | 575     | SD100 IEEE841 | 1LE24211CC113AA3 |               | SD3         | 1.9     | 87.5            | 113 | ✓     |
| 1.5 | 900  | 184T  | 575     | SD100 IEEE841 | 1LE24211CD313AA3 |               | SD3         | 2.4     | 82.5            | 119 |       |
| 2   | 3600 | 145T  | 575     | SD100 IEEE841 | 1LE24211AA313AA3 |               | SD3         | 2.0     | 85.5            | 72  | ✓     |
| 2   | 1800 | 145T  | 575     | SD100 IEEE841 | 1LE24211AB413AA3 |               | SD3         | 2.2     | 86.5            | 80  | ✓     |
| 2   | 1200 | 184T  | 575     | SD100 IEEE841 | 1LE24211CC313AA3 |               | SD3         | 2.6     | 88.5            | 122 | ✓     |
| 2   | 900  | 213T  | 575     | SD100 IEEE841 | 1LE24212AD113AA3 |               | SD3         | 2.6     | 84.0            | 145 |       |
| 3   | 3600 | 182T  | 575     | SD100 IEEE841 | 1LE24211CA113AA3 |               | SD3         | 3.0     | 86.5            | 107 | ✓     |
| 3   | 1800 | 182T  | 575     | SD100 IEEE841 | 1LE24211CB113AA3 |               | SD3         | 3.2     | 89.5            | 118 | ✓     |
| 3   | 1200 | 213T  | 575     | SD100 IEEE841 | 1LE24212AC113AA3 |               | SD3         | 3.4     | 89.5            | 164 | ✓     |
| 3   | 900  | 215T  | 575     | SD100 IEEE841 | 1LE24212AD213AA3 |               | SD3         | 3.9     | 85.5            | 160 |       |
| 5   | 3600 | 184T  | 575     | SD100 IEEE841 | 1LE24211CA313AA3 |               | SD3         | 4.8     | 88.5            | 118 | ✓     |
| 5   | 1800 | 184T  | 575     | SD100 IEEE841 | 1LE24211CB313AA3 |               | SD3         | 5.2     | 89.5            | 124 | ✓     |
| 5   | 1200 | 215T  | 575     | SD100 IEEE841 | 1LE24212AC213AA3 |               | SD3         | 5.4     | 89.5            | 176 | ✓     |
| 5   | 900  | 254T  | 575     | SD100 IEEE841 | 1LE24212BD113AA3 |               | SD3         | 7.0     | 86.5            | 247 |       |
| 7.5 | 3600 | 213T  | 575     | SD100 IEEE841 | 1LE24212AA113AA3 |               | SD3         | 7.0     | 89.5            | 160 | ✓     |
| 7.5 | 1800 | 213T  | 575     | SD100 IEEE841 | 1LE24212AB113AA3 |               | SD3         | 7.8     | 91.7            | 191 | ✓     |
| 7.5 | 1200 | 254T  | 575     | SD100 IEEE841 | 1LE24212BC113AA3 |               | SD3         | 8.0     | 91.0            | 292 | ✓     |
| 7.5 | 900  | 256T  | 575     | SD100 IEEE841 | 1LE24212BD213AA3 |               | SD3         | 10.5    | 87.5            | 279 |       |
| 10  | 3600 | 215T  | 575     | SD100 IEEE841 | 1LE24212AA213AA3 |               | SD3         | 9.2     | 90.2            | 174 | ✓     |
| 10  | 1800 | 215T  | 575     | SD100 IEEE841 | 1LE24212AB213AA3 |               | SD3         | 10.0    | 91.7            | 197 | ✓     |
| 10  | 1200 | 256T  | 575     | SD100 IEEE841 | 1LE24212BC213AA3 |               | SD3         | 11.0    | 91.0            | 288 | ✓     |
| 10  | 900  | 284T  | 575     | SD100 IEEE841 | 1LE24212CD113AA3 |               | SD3         | 12.0    | 90.2            | 362 |       |
| 15  | 3600 | 254T  | 575     | SD100 IEEE841 | 1LE24212BA113AA3 |               | SD3         | 14.0    | 91.0            | 287 | ✓     |
| 15  | 1800 | 254T  | 575     | SD100 IEEE841 | 1LE24212BB113AA3 |               | SD3         | 15.0    | 92.4            | 289 | ✓     |
| 15  | 1200 | 284T  | 575     | SD100 IEEE841 | 1LE24212CC113AA3 |               | SD3         | 17.0    | 91.7            | 400 | ✓     |
| 15  | 900  | 286T  | 575     | SD100 IEEE841 | 1LE24212CD213AA3 |               | SD3         | 18.4    | 90.2            | 420 |       |
| 20  | 3600 | 256T  | 575     | SD100 IEEE841 | 1LE24212BA213AA3 |               | SD3         | 18.0    | 91.0            | 323 | ✓     |
| 20  | 1800 | 256T  | 575     | SD100 IEEE841 | 1LE24212BB213AA3 |               | SD3         | 20.0    | 93.0            | 322 | ✓     |
| 20  | 1200 | 286T  | 575     | SD100 IEEE841 | 1LE24212CC213AA3 |               | SD3         | 21.5    | 91.7            | 465 | ✓     |
| 20  | 900  | 324T  | 575     | SD100 IEEE841 | 1LE24213AD113AA3 |               | SD3         | 25      | 91.0            | 570 |       |

NEMA Premium® is a certification mark of the National Electrical Manufacturers Association.  
QuikMOD Delivery for stocked motors only.  
Stock availability subject to change.

900 RPM Motors meet or exceed EPC efficiency.  
Prices and Specifications are subject to change without notice.  
DOE#CC032A



# SIMOTICS Severe duty motors

## SD100 IEEE841 (Cast iron frame)

NEMA Premium®  
 Die cast aluminum rotor

575V 60Hz – Foot mounted

| HP | RPM  | Frame | Voltage | Type          | Part Number      | List Price \$ | Mult. Symb. | FL Amps | FL Nom Eff. (%) | Lbs  | Stock |
|----|------|-------|---------|---------------|------------------|---------------|-------------|---------|-----------------|------|-------|
| 25 | 3600 | 284TS | 575     | SD100 IEEE841 | 1LE24212DA113AA3 |               | SD3         | 23.0    | 91.7            | 415  | ✓     |
| 25 | 1800 | 284T  | 575     | SD100 IEEE841 | 1LE24212CB113AA3 |               | SD3         | 24.0    | 93.6            | 445  | ✓     |
| 25 | 1800 | 284TS | 575     | SD100 IEEE841 | 1LE24212DB113AA3 |               | SD3         | 24.0    | 93.6            | 445  | ✓     |
| 25 | 1200 | 324T  | 575     | SD100 IEEE841 | 1LE24213AC113AA3 |               | SD3         | 26.0    | 93.0            | 640  | ✓     |
| 25 | 900  | 326T  | 575     | SD100 IEEE841 | 1LE24213AD213AA3 |               | SD3         | 32.8    | 90.2            | 582  |       |
| 30 | 3600 | 286TS | 575     | SD100 IEEE841 | 1LE24212DA213AA3 |               | SD3         | 27.0    | 91.7            | 430  | ✓     |
| 30 | 1800 | 286T  | 575     | SD100 IEEE841 | 1LE24212CB213AA3 |               | SD3         | 28.0    | 93.6            | 465  | ✓     |
| 30 | 1800 | 286TS | 575     | SD100 IEEE841 | 1LE24212DB213AA3 |               | SD3         | 28.0    | 93.6            | 465  | ✓     |
| 30 | 1200 | 326T  | 575     | SD100 IEEE841 | 1LE24213AC213AA3 |               | SD3         | 31.0    | 93.0            | 675  | ✓     |
| 30 | 900  | 364T  | 575     | SD100 IEEE841 | 1LE24213CD113AA3 |               | SD3         | 37.6    | 91.7            | 740  |       |
| 40 | 3600 | 324TS | 575     | SD100 IEEE841 | 1LE24213BA113AA3 |               | SD3         | 36.0    | 93.6            | 575  | ✓     |
| 40 | 1800 | 324T  | 575     | SD100 IEEE841 | 1LE24213AB113AA3 |               | SD3         | 37.0    | 94.1            | 666  | ✓     |
| 40 | 1800 | 324TS | 575     | SD100 IEEE841 | 1LE24213BB113AA3 |               | SD3         | 37.0    | 94.1            | 666  | ✓     |
| 40 | 1200 | 364T  | 575     | SD100 IEEE841 | 1LE24213CC113AA3 |               | SD3         | 39.0    | 94.1            | 863  | ✓     |
| 40 | 900  | 365T  | 575     | SD100 IEEE841 | 1LE24213CD213AA3 |               | SD3         | 50.4    | 91.7            | 840  |       |
| 50 | 3600 | 326TS | 575     | SD100 IEEE841 | 1LE24213BA213AA3 |               | SD3         | 44.0    | 93.6            | 610  | ✓     |
| 50 | 1800 | 326T  | 575     | SD100 IEEE841 | 1LE24213AB213AA3 |               | SD3         | 46.0    | 94.5            | 700  | ✓     |
| 50 | 1800 | 326TS | 575     | SD100 IEEE841 | 1LE24213BB213AA3 |               | SD3         | 46.0    | 94.5            | 700  | ✓     |
| 50 | 1200 | 365T  | 575     | SD100 IEEE841 | 1LE24213CC213AA3 |               | SD3         | 50.0    | 94.1            | 900  | ✓     |
| 50 | 900  | 404T  | 575     | SD100 IEEE841 | 1LE24214AD113AA3 |               | SD3         | 53.6    | 92.4            | 1116 |       |
| 60 | 3600 | 364TS | 575     | SD100 IEEE841 | 1LE24213DA113AA3 |               | SD3         | 54.5    | 93.6            | 717  | ✓     |
| 60 | 1800 | 364T  | 575     | SD100 IEEE841 | 1LE24213CB113AA3 |               | SD3         | 54.5    | 95.0            | 930  | ✓     |
| 60 | 1800 | 364TS | 575     | SD100 IEEE841 | 1LE24213DB113AA3 |               | SD3         | 54.5    | 95.0            | 930  | ✓     |
| 60 | 1200 | 404T  | 575     | SD100 IEEE841 | 1LE24214AC113AA3 |               | SD3         | 59.0    | 94.5            | 1100 | ✓     |
| 60 | 900  | 405T  | 575     | SD100 IEEE841 | 1LE24214AD213AA3 |               | SD3         | 62.4    | 92.4            | 1182 |       |
| 75 | 3600 | 365TS | 575     | SD100 IEEE841 | 1LE24213DA213AA3 |               | SD3         | 69.0    | 94.1            | 815  | ✓     |
| 75 | 1800 | 365T  | 575     | SD100 IEEE841 | 1LE24213CB213AA3 |               | SD3         | 68.0    | 95.4            | 1000 | ✓     |
| 75 | 1800 | 365TS | 575     | SD100 IEEE841 | 1LE24213DB213AA3 |               | SD3         | 68.0    | 95.4            | 1000 | ✓     |
| 75 | 1200 | 405T  | 575     | SD100 IEEE841 | 1LE24214AC213AA3 |               | SD3         | 75.0    | 94.5            | 1150 | ✓     |
| 75 | 900  | 444T  | 575     | SD100 IEEE841 | 1LE24214CD113AA3 |               | SD3         | 75.2    | 93.6            | 1525 |       |
| 75 | 900  | 444TS | 575     | SD100 IEEE841 | 1LE24214DD113AA3 |               | SD3         | 75.2    | 93.6            | 1525 |       |
| 75 | 900  | 444T  | 575     | SD100 IEEE841 | 1LE24214ED113AA3 |               | SD3         | 75.2    | 93.6            | 1525 |       |

NEMA Premium® is a certification mark of the National Electrical Manufacturers Association.  
 QuikMOD Delivery for stocked motors only.  
 Shaded ratings indicated roller bearings.

Stock availability subject to change.  
 900 RPM Motors meet or exceed EPA efficiency.  
 Prices and Specifications are subject to change without notice.  
 DOE#CC032A

# SIMOTICS Severe duty motors

## SD100 IEEEE841 (Cast iron frame)

NEMA Premium®  
Die cast aluminum rotor

575V 60Hz – Foot mounted

| HP  | RPM  | Frame  | Voltage | Type           | Part Number      | List Price \$ | Mult. Symb. | FL Amps | FL Nom Eff. (%) | Lbs  | Stock |
|-----|------|--------|---------|----------------|------------------|---------------|-------------|---------|-----------------|------|-------|
| 100 | 3600 | 405TS  | 575     | SD100 IEEEE841 | 1LE24214BA213AA3 |               | SD3         | 87.0    | 94.1            | 1100 | ✓     |
| 100 | 1800 | 405T   | 575     | SD100 IEEEE841 | 1LE24214AB213AA3 |               | SD3         | 90.5    | 95.4            | 1160 | ✓     |
| 100 | 1800 | 405TS  | 575     | SD100 IEEEE841 | 1LE24214BB213AA3 |               | SD3         | 90.5    | 95.4            | 1160 | ✓     |
| 100 | 1200 | 444T   | 575     | SD100 IEEEE841 | 1LE24214CC113AA3 |               | SD3         | 94.0    | 95.0            | 1545 | ✓     |
| 100 | 1200 | 444TS  | 575     | SD100 IEEEE841 | 1LE24214DC113AA3 |               | SD3         | 94.0    | 95.0            | 1545 |       |
| 100 | 1200 | 444T   | 575     | SD100 IEEEE841 | 1LE24214EC113AA3 |               | SD3         | 94.0    | 95.0            | 1545 |       |
| 100 | 900  | 445T   | 575     | SD100 IEEEE841 | 1LE24214CD213AA3 |               | SD3         | 98.4    | 94.1            | 1697 |       |
| 100 | 900  | 445TS  | 575     | SD100 IEEEE841 | 1LE24214DD213AA3 |               | SD3         | 98.4    | 94.1            | 1697 |       |
| 100 | 900  | 445T   | 575     | SD100 IEEEE841 | 1LE24214ED213AA3 |               | SD3         | 98.4    | 94.1            | 1697 |       |
| 125 | 3600 | 444TS  | 575     | SD100 IEEEE841 | 1LE24214DA113AA3 |               | SD3         | 112.0   | 95.0            | 1454 | ✓     |
| 125 | 1800 | 444T   | 575     | SD100 IEEEE841 | 1LE24214CB113AA3 |               | SD3         | 115.0   | 95.4            | 1600 | ✓     |
| 125 | 1800 | 444TS  | 575     | SD100 IEEEE841 | 1LE24214DB113AA3 |               | SD3         | 115.0   | 95.4            | 1600 | ✓     |
| 125 | 1800 | 444T   | 575     | SD100 IEEEE841 | 1LE24214EB113AA3 |               | SD3         | 115.0   | 95.4            | 1600 | ✓     |
| 125 | 1200 | 445T   | 575     | SD100 IEEEE841 | 1LE24214CC213AA3 |               | SD3         | 115.0   | 95.0            | 1720 | ✓     |
| 125 | 1200 | 445TS  | 575     | SD100 IEEEE841 | 1LE24214DC213AA3 |               | SD3         | 115.0   | 95.0            | 1720 |       |
| 125 | 1200 | 445T   | 575     | SD100 IEEEE841 | 1LE24214EC213AA3 |               | SD3         | 115.0   | 95.0            | 1720 |       |
| 125 | 900  | 447T   | 575     | SD100 IEEEE841 | 1LE24214CD313AA3 |               | SD3         | 121.6   | 94.1            | 2018 |       |
| 125 | 900  | 447TS  | 575     | SD100 IEEEE841 | 1LE24214DD313AA3 |               | SD3         | 121.6   | 94.1            | 2018 |       |
| 125 | 900  | 447T   | 575     | SD100 IEEEE841 | 1LE24214ED313AA3 |               | SD3         | 121.6   | 94.1            | 2018 |       |
| 150 | 3600 | 445TS  | 575     | SD100 IEEEE841 | 1LE24214DA213AA3 |               | SD3         | 130.0   | 95.0            | 1615 | ✓     |
| 150 | 1800 | 445T   | 575     | SD100 IEEEE841 | 1LE24214CB213AA3 |               | SD3         | 136.0   | 95.8            | 1710 | ✓     |
| 150 | 1800 | 445TS  | 575     | SD100 IEEEE841 | 1LE24214DB213AA3 |               | SD3         | 136.0   | 95.8            | 1710 | ✓     |
| 150 | 1800 | 445T   | 575     | SD100 IEEEE841 | 1LE24214EB213AA3 |               | SD3         | 136.0   | 95.8            | 1710 | ✓     |
| 150 | 1200 | 447T   | 575     | SD100 IEEEE841 | 1LE24214CC313AA3 |               | SD3         | 138.0   | 95.8            | 1995 | ✓     |
| 150 | 1200 | 447TS  | 575     | SD100 IEEEE841 | 1LE24214DC313AA3 |               | SD3         | 138.0   | 95.8            | 1995 |       |
| 150 | 1200 | 447T   | 575     | SD100 IEEEE841 | 1LE24214EC313AA3 |               | SD3         | 138.0   | 95.8            | 1995 |       |
| 150 | 900  | 449T   | 575     | SD100 IEEEE841 | 1LE24214CD513AA3 |               | SD3         | 144.0   | 94.1            | 2480 |       |
| 150 | 900  | 449TS  | 575     | SD100 IEEEE841 | 1LE24214DD513AA3 |               | SD3         | 144.0   | 94.1            | 2480 |       |
| 150 | 900  | 449T   | 575     | SD100 IEEEE841 | 1LE24214ED513AA3 |               | SD3         | 144.0   | 94.1            | 2480 |       |
| 200 | 3600 | 447TS  | 575     | SD100 IEEEE841 | 1LE24214DA313AA3 |               | SD3         | 176.0   | 95.4            | 1890 | ✓     |
| 200 | 1800 | 447T   | 575     | SD100 IEEEE841 | 1LE24214CB313AA3 |               | SD3         | 181.0   | 96.2            | 2035 | ✓     |
| 200 | 1800 | 447TS  | 575     | SD100 IEEEE841 | 1LE24214DB313AA3 |               | SD3         | 181.0   | 96.2            | 2035 | ✓     |
| 200 | 1800 | 447T   | 575     | SD100 IEEEE841 | 1LE24214EB313AA3 |               | SD3         | 181.0   | 96.2            | 2035 | ✓     |
| 200 | 1200 | 449T   | 575     | SD100 IEEEE841 | 1LE24214CC513AA3 |               | SD3         | 182.0   | 95.8            | 2425 | ✓     |
| 200 | 1200 | 449TS  | 575     | SD100 IEEEE841 | 1LE24214DC513AA3 |               | SD3         | 182.0   | 95.8            | 2425 |       |
| 200 | 1200 | 449T   | 575     | SD100 IEEEE841 | 1LE24214EC513AA3 |               | SD3         | 182.0   | 95.8            | 2425 |       |
| 200 | 900  | S449LS | 575     | SD100 IEEEE841 | 1LE24214FD113AA3 |               | SD3         | 192.0   | 94.5            | 3200 |       |

NEMA Premium® is a certification mark of the National Electrical Manufacturers Association.  
QuikMOD Delivery for stocked motors only.  
Shaded ratings indicated roller bearings.

Stock availability subject to change.  
900 RPM Motors meet or exceed EPA efficiency.  
Prices and Specifications are subject to change without notice.  
DOE#CC032A

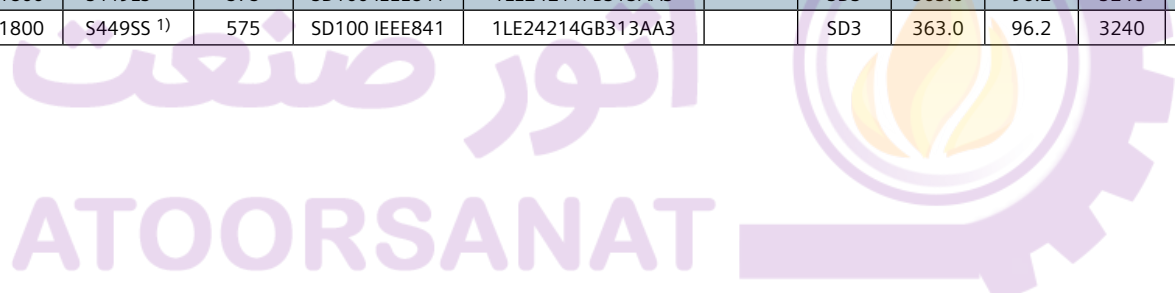
# SIMOTICS Severe duty motors

## SD100 IEEE841 (Cast iron frame)

NEMA Premium®  
 Die cast aluminum rotor

### 575V 60Hz – Foot mounted

| HP  | RPM  | Frame                   | Voltage | Type          | Part Number      | List Price \$ | Mult. Symb. | FL Amps | FL Nom Eff. (%) | Lbs  | Stock |
|-----|------|-------------------------|---------|---------------|------------------|---------------|-------------|---------|-----------------|------|-------|
| 250 | 3600 | 449TS                   | 575     | SD100 IEEE841 | 1LE24214DA513AA3 |               | SD3         | 209.0   | 95.8            | 2272 | ✓     |
| 250 | 1800 | 449T <sup>2)</sup>      | 575     | SD100 IEEE841 | 1LE24214CB513AA3 |               | SD3         | 223.0   | 96.2            | 2425 | ✓     |
| 250 | 1800 | 449TS <sup>2)</sup>     | 575     | SD100 IEEE841 | 1LE24214DB513AA3 |               | SD3         | 223.0   | 96.2            | 2425 | ✓     |
| 250 | 1800 | 449T <sup>2)</sup>      | 575     | SD100 IEEE841 | 1LE24214EB513AA3 |               | SD3         | 223.0   | 96.2            | 2425 | ✓     |
| 250 | 1200 | 449T <sup>2)</sup>      | 575     | SD100 IEEE841 | 1LE24214CC613AA3 |               | SD3         | 225.0   | 95.8            | 2390 | ✓     |
| 250 | 1200 | 449TS <sup>2)</sup>     | 575     | SD100 IEEE841 | 1LE24214DC613AA3 |               | SD3         | 225.0   | 95.8            | 2390 |       |
| 250 | 1200 | 449T <sup>2)</sup>      | 575     | SD100 IEEE841 | 1LE24214EC613AA3 |               | SD3         | 225.0   | 95.8            | 2390 |       |
| 250 | 900  | S449LS                  | 575     | SD100 IEEE841 | 1LE24214FD213AA3 |               | SD3         | 242.4   | 94.5            | 3220 |       |
| 300 | 3600 | 449TS                   | 575     | SD100 IEEE841 | 1LE24214DA613AA3 |               | SD3         | 250.0   | 95.8            | 2200 | ✓     |
| 300 | 1800 | S449LS <sup>1) 2)</sup> | 575     | SD100 IEEE841 | 1LE24214FB113AA3 |               | SD3         | 268.0   | 96.2            | 3130 | ✓     |
| 300 | 1800 | S449SS <sup>1) 2)</sup> | 575     | SD100 IEEE841 | 1LE24214GB113AA3 |               | SD3         | 268.0   | 96.2            | 3130 |       |
| 300 | 1200 | S449LS <sup>2)</sup>    | 575     | SD100 IEEE841 | 1LE24214FC113AA3 |               | SD3         | 272.0   | 95.8            | 3240 |       |
| 300 | 1200 | S449SS <sup>2)</sup>    | 575     | SD100 IEEE841 | 1LE24214GC113AA3 |               | SD3         | 272.0   | 95.8            | 3240 |       |
| 350 | 3600 | S449SS <sup>1)</sup>    | 575     | SD100 IEEE841 | 1LE24214GA113AA3 |               | SD3         | 296.0   | 95.8            | 2890 |       |
| 350 | 1800 | S449LS <sup>1)</sup>    | 575     | SD100 IEEE841 | 1LE24214FB213AA3 |               | SD3         | 312.0   | 96.2            | 3190 |       |
| 350 | 1800 | S449SS <sup>1)</sup>    | 575     | SD100 IEEE841 | 1LE24214GB213AA3 |               | SD3         | 312.0   | 96.2            | 3190 |       |
| 400 | 3600 | S449SS <sup>1)</sup>    | 575     | SD100 IEEE841 | 1LE24214GA313AA3 |               | SD3         | 338.0   | 95.8            | 3065 | ✓     |
| 400 | 1800 | S449LS <sup>1)</sup>    | 575     | SD100 IEEE841 | 1LE24214FB313AA3 |               | SD3         | 363.0   | 96.2            | 3240 | ✓     |
| 400 | 1800 | S449SS <sup>1)</sup>    | 575     | SD100 IEEE841 | 1LE24214GB313AA3 |               | SD3         | 363.0   | 96.2            | 3240 |       |



NEMA Premium® is a certification mark of the National Electrical Manufacturers Association.  
 QuikMOD Delivery for stocked motors only.  
 Shaded ratings indicated roller bearings.  
 Stock availability subject to change.

1) CW Rotation facing opposite DE  
 2) NEMA design A  
 900 RPM Motors meet or exceed EPA efficiency.  
 Prices and Specifications are subject to change without notice.  
 DOE#CC032A

# SIMOTICS Severe duty motors

## SD100 IEEE841 (Cast iron frame)

NEMA Premium®  
Die cast aluminum rotor

575V 60Hz – C-face footless

| HP  | RPM  | Frame | Voltage | Type          | Part Number      | List Price \$ | Mult. Symb. | FL Amps | FL Nom Eff. (%) | Lbs | Stock |
|-----|------|-------|---------|---------------|------------------|---------------|-------------|---------|-----------------|-----|-------|
| 1   | 3600 | 143TC | 575     | SD100 IEEE841 | 1LE24211AA113GA3 |               | SD3         | 1.1     | 82.5            | 75  | ✓     |
| 1   | 1800 | 143TC | 575     | SD100 IEEE841 | 1LE24211AB213GA3 |               | SD3         | 1.1     | 85.5            | 76  | ✓     |
| 1.5 | 3600 | 143TC | 575     | SD100 IEEE841 | 1LE24211AA213GA3 |               | SD3         | 1.6     | 84.0            | 70  | ✓     |
| 1.5 | 1800 | 145TC | 575     | SD100 IEEE841 | 1LE24211AB313GA3 |               | SD3         | 1.7     | 86.5            | 80  | ✓     |
| 2   | 3600 | 145TC | 575     | SD100 IEEE841 | 1LE24211AA313GA3 |               | SD3         | 2.0     | 85.5            | 72  | ✓     |
| 2   | 1800 | 145TC | 575     | SD100 IEEE841 | 1LE24211AB413GA3 |               | SD3         | 2.2     | 86.5            | 80  | ✓     |
| 3   | 3600 | 182TC | 575     | SD100 IEEE841 | 1LE24211CA113GA3 |               | SD3         | 3.0     | 86.5            | 107 | ✓     |
| 3   | 1800 | 182TC | 575     | SD100 IEEE841 | 1LE24211CB113GA3 |               | SD3         | 3.2     | 89.5            | 118 | ✓     |
| 5   | 3600 | 184TC | 575     | SD100 IEEE841 | 1LE24211CA313GA3 |               | SD3         | 4.8     | 88.5            | 118 | ✓     |
| 5   | 1800 | 184TC | 575     | SD100 IEEE841 | 1LE24211CB313GA3 |               | SD3         | 5.2     | 89.5            | 124 | ✓     |
| 7.5 | 3600 | 213TC | 575     | SD100 IEEE841 | 1LE24212AA113GA3 |               | SD3         | 7.0     | 89.5            | 160 | ✓     |
| 7.5 | 1800 | 213TC | 575     | SD100 IEEE841 | 1LE24212AB113GA3 |               | SD3         | 7.8     | 91.7            | 191 | ✓     |
| 10  | 3600 | 215TC | 575     | SD100 IEEE841 | 1LE24212AA213GA3 |               | SD3         | 9.2     | 90.2            | 174 | ✓     |
| 10  | 1800 | 215TC | 575     | SD100 IEEE841 | 1LE24212AB213GA3 |               | SD3         | 10.0    | 91.7            | 197 | ✓     |
| 15  | 3600 | 254TC | 575     | SD100 IEEE841 | 1LE24212BA113GA3 |               | SD3         | 14.0    | 91.0            | 287 | ✓     |
| 15  | 1800 | 254TC | 575     | SD100 IEEE841 | 1LE24212BB113GA3 |               | SD3         | 15.0    | 92.4            | 289 | ✓     |
| 20  | 3600 | 256TC | 575     | SD100 IEEE841 | 1LE24212BA213GA3 |               | SD3         | 18.0    | 91.0            | 323 | ✓     |
| 20  | 1800 | 256TC | 575     | SD100 IEEE841 | 1LE24212BB213GA3 |               | SD3         | 20.0    | 93.0            | 322 | ✓     |

آتور صنعت  
ATOORSANAT

# SIMOTICS severe duty motors

## SD100 IEEE841 (Cast iron frame)

### Spare Parts

#### C-Face / InproSeal® kits

| Frame | Motor Type | Part Number                | Description |        | List Price \$ |
|-------|------------|----------------------------|-------------|--------|---------------|
| 140TC | SD100 841  | US2:51602570501            | Cast Iron   | C-Face |               |
| 180TC | SD100 841  | US2:51602571501            | Cast Iron   | C-Face |               |
| 210TC | SD100 841  | US2:51602572501            | Cast Iron   | C-Face |               |
| 250TC | SD100 841  | US2:51602573501            | Cast Iron   | C-Face |               |
| 280TC | SD100 841  | US2:51010902029            | Cast Iron   | C-Face |               |
| 320TC | SD100 841  | US2:51010902034            | Cast Iron   | C-Face |               |
| 360TC | SD100 841  | US2:51010902039            | Cast Iron   | C-Face |               |
| 400TC | SD100 841  | US2:51010902042            | Cast Iron   | C-Face |               |
| 440T  | SD100 841  | Please consult the factory |             |        |               |

#### D-Flange / InproSeal® kits

| Frame       | Motor Type | Part Number                | Description |          | List Price \$ |
|-------------|------------|----------------------------|-------------|----------|---------------|
| 140TD       | SD100 841  | US2:51602590501            | Cast Iron   | D-Flange |               |
| 180TD       | SD100 841  | US2:51602591501            | Cast Iron   | D-Flange |               |
| 210TD       | SD100 841  | US2:51602592501            | Cast Iron   | D-Flange |               |
| 250TD       | SD100 841  | US2:51602593501            | Cast Iron   | D-Flange |               |
| 280TD-440TD | SD100 841  | Please consult the factory |             |          |               |

#### Bearings

| Frame                      | Motor Type | Part Number | Description |                                | List Price \$ |
|----------------------------|------------|-------------|-------------|--------------------------------|---------------|
| 140T                       | SD100 841  | 51380864005 | DE/ODE      | Bearing, 6205 Z C3 25BC02JP3   |               |
| 180T                       | SD100 841  | 51380864006 | DE/ODE      | Bearing, 6206 Z C3 30BC02JP3   |               |
| 210T                       | SD100 841  | 51380864008 | DE/ODE      | Bearing, 6208 Z C3 40BC02JP3   |               |
| 280T                       | SD100 841  | 51380865010 | DE/ODE      | Bearing, 6310 Z C3 50BC03JP3   |               |
| 280T                       | SD100 841  | 51380865010 | DE/ODE      | Bearing, 6310 Z C3 50BC03JP3   |               |
| 320T                       | SD100 841  | 51380865012 | DE/ODE      | Bearing, 6312 Z C3 60BC03JP3   |               |
| 360T                       | SD100 841  | 51380865014 | DE/ODE      | Bearing, 6314 Z C3 70BC03JP3   |               |
| 400T                       | SD100 841  | 51380865016 | DE/ODE      | Bearing, 6316 Z C3 80BC03JP3   |               |
| B440T (TC/TD)              | SD100 841  | 51380865018 | DE          | Bearing, 6318 Z C3 90BC03JP3   |               |
| 444T, 445T (NU)            | SD100 841  | 51674954018 | DE          | Bearing, NU 318 C3 90RU03M0    |               |
| 447T, 449T (NU)            | SD100 841  | 51674954020 | DE          | Bearing, NU 320 C3 100RU03M0   |               |
| 440T (TC/TD);<br>440T (NU) | SD100 841  | 51380865016 | ODE         | Bearing, 6316 Z C3 80BC03JP3   |               |
| 440TS (TSC/TSD)            | SD100 841  | 51380865016 | DE/ODE      | Bearing, 6316 Z C3 80BC03JP3   |               |
| S449LS (NU)                | SD100 841  | 51674954020 | DE          | Bearing, NU 320 C3 100RU03M0   |               |
| S449LS (NU)                | SD100 841  | 51601984015 | ODE         | Bearing, 6315 ZZ C3 75BC03JPP3 |               |
| S449SS                     | SD100 841  | 51601984015 | DE/ODE      | Bearing, 6315 ZZ C3 75BC03JPP3 |               |

# SIMOTICS severe duty motors

## SD100 IEEE841 (Cast iron frame)

### Spare Parts

#### Fan Housing

| Frame                    | Motor Type | Part Number       | Description |                               | List Price \$ |
|--------------------------|------------|-------------------|-------------|-------------------------------|---------------|
| 140T                     | SD100 841  | 3MSP220079201     | Cast Iron   | Fan Housing                   |               |
| 180T                     | SD100 841  | 3MSP221079201     | Cast Iron   | Fan Housing                   |               |
| 210T                     | SD100 841  | 3MSP222079201     | Cast Iron   | Fan Housing                   |               |
| 250T                     | SD100 841  | 3MSP223079201     | Cast Iron   | Fan Housing                   |               |
| 280T                     | SD100 841  | 3MSP710114901     | Cast Iron   | Fan Housing                   |               |
| 320T                     | SD100 841  | 3MSP720114901     | Cast Iron   | Fan Housing                   |               |
| 360T                     | SD100 841  | 3MSP730114901     | Cast Iron   | Fan Housing                   |               |
| 360T                     | SD100 841  | US2:3MSP730205901 | Cast Iron   | Grid                          |               |
| 400T                     | SD100 841  | 51816819001       | Cast Iron   | Fan Housing                   |               |
| 400T                     | SD100 841  | 51816825001       | Cast Iron   | Grid                          |               |
| 440TS<br>(3600 RPM only) | SD100 841  | US2:3MSP750138001 | Cast Iron   | Fan Housing                   |               |
| 440TS<br>(3600 RPM only) | SD100 841  | 51818114001       | Cast Iron   | Grid                          |               |
| 440T                     | SD100 841  | 51817031002       | Cast Iron   | Fan housing (Drip Cov. ready) |               |
| 440T                     | SD100 841  | 51817046001       | Cast Iron   | Grid                          |               |

|      |           |               |           |                            |  |
|------|-----------|---------------|-----------|----------------------------|--|
| 140T | SD100 841 | 3MSP220080601 | Cast Iron | Fan housing for Drip Cover |  |
| 180T | SD100 841 | 3MSP221080601 | Cast Iron | Fan housing for Drip Cover |  |
| 210T | SD100 841 | 3MSP222080601 | Cast Iron | Fan housing for Drip Cover |  |
| 250T | SD100 841 | 3MSP223080601 | Cast Iron | Fan housing for Drip Cover |  |

#### Cooling Fan

| Frame      | Motor Type | Part Number   | Description           |             | List Price \$ |
|------------|------------|---------------|-----------------------|-------------|---------------|
| 180T       | SD100 841  | 3MSG221079602 | 900                   | Cooling Fan |               |
| 210T       | SD100 841  | 3MSG223079603 | 900                   | Cooling Fan |               |
| 250T       | SD100 841  | 3MSG223079601 | 900                   | Cooling Fan |               |
| 280T       | SD100 841  | 51817700002   | 900                   | Cooling Fan |               |
| 320T       | SD100 841  | 51817700001   | 900                   | Cooling Fan |               |
| 360T       | SD100 841  | 51816861002   | 900                   | Cooling Fan |               |
| 400T       | SD100 841  | 51816861002   | 900                   | Cooling Fan |               |
| 444T, 445T | SD100 841  | 51816861001   | 900 - 75HP;<br>100HP  | Cooling Fan |               |
| 447T, 449T | SD100 841  | 51771077001   | 900 - 125HP;<br>150HP | Cooling Fan |               |

# SIMOTICS severe duty motors

## SD100 IEEE841 (Cast iron frame)

### Spare Parts

#### Cooling Fan

| Frame                  | Motor Type | Part Number   | Description           |             | List Price \$ |
|------------------------|------------|---------------|-----------------------|-------------|---------------|
| 140T                   | SD100 841  | 3MSG221079604 | 1200                  | Cooling Fan |               |
| 180T                   | SD100 841  | 3MSG221079602 | 1200                  | Cooling Fan |               |
| 210T                   | SD100 841  | 3MSG223079603 | 1200                  | Cooling Fan |               |
| 250T                   | SD100 841  | 3MSG223079607 | 1200                  | Cooling Fan |               |
| 280T                   | SD100 841  | 51817700005   | 1200                  | Cooling Fan |               |
| 320T                   | SD100 841  | 51817700003   | 1200                  | Cooling Fan |               |
| 360T                   | SD100 841  | 51816861004   | 1200                  | Cooling Fan |               |
| 400T                   | SD100 841  | 51816861002   | 1200                  | Cooling Fan |               |
| 444T, 445T             | SD100 841  | 51816861002   | 1200                  | Cooling Fan |               |
| 447T                   | SD100 841  | 51516861003   | 1200                  | Cooling Fan |               |
| 449T                   | SD100 841  | 51816861002   | 1200- 200HP           | Cooling Fan |               |
| 449T                   | SD100 841  | 51771077001   | 1200- 250HP.          | Cooling Fan |               |
| 140T                   | SD100 841  | 3MSG221079604 | 1800                  | Cooling Fan |               |
| 180T                   | SD100 841  | 3MSG221079602 | 1800                  | Cooling Fan |               |
| 210T                   | SD100 841  | 3MSG223079607 | 1800                  | Cooling Fan |               |
| 250T                   | SD100 841  | 3MSG223079603 | 1800                  | Cooling Fan |               |
| 280T                   | SD100 841  | 51817700006   | 1800                  | Cooling Fan |               |
| 320T                   | SD100 841  | 51817700005   | 1800                  | Cooling Fan |               |
| 360T                   | SD100 841  | 51816861005   | 1800                  | Cooling Fan |               |
| 400T                   | SD100 841  | 51816861004   | 1800                  | Cooling Fan |               |
| 444T, 445T, 447T, 449T | SD100 841  | 51816861003   | 1800                  | Cooling Fan |               |
| 140T                   | SD100 841  | 3MSG221079606 | 3600                  | Cooling Fan |               |
| 180T                   | SD100 841  | 3MSG221079604 | 3600                  | Cooling Fan |               |
| 210T                   | SD100 841  | 3MSG223079610 | 3600                  | Cooling Fan |               |
| 250T                   | SD100 841  | 3MSG223079610 | 3600                  | Cooling Fan |               |
| 280T                   | SD100 841  | 51817700007   | 3600                  | Cooling Fan |               |
| 320T                   | SD100 841  | 51817700006   | 3600                  | Cooling Fan |               |
| 364T                   | SD100 841  | 51817700006   | 3600- 60HP            | Cooling Fan |               |
| 365T                   | SD100 841  | 51817700003   | 3600- 75HP            | Cooling Fan |               |
| 400T                   | SD100 841  | 51816861005   | 3600                  | Cooling Fan |               |
| 444T, 445T             | SD100 841  | 51816861005   | 3600- 125HP;<br>150HP | Cooling Fan |               |
| 447T                   | SD100 841  | 51816861004   | 3600                  | Cooling Fan |               |
| 449T                   | SD100 841  | 51816861003   | 3600- 300HP           | Cooling Fan |               |

# SIMOTICS severe duty motors

## SD100 IEEE841 (Cast iron frame)

### Spare Parts

#### Drip Cover

| Frame | Motor Type | Part Number   | Description |            | List Price \$ |
|-------|------------|---------------|-------------|------------|---------------|
| 140T  | SD100 841  | 3MSP223080701 | Cast Iron   | Drip Cover |               |
| 180T  | SD100 841  | 3MSP223080702 | Cast Iron   | Drip Cover |               |
| 210T  | SD100 841  | 3MSP223080703 | Cast Iron   | Drip Cover |               |
| 250T  | SD100 841  | 3MSP223080704 | Cast Iron   | Drip Cover |               |
| 280T  | SD100 841  | 51770675005   | Cast Iron   | Drip Cover |               |
| 320T  | SD100 841  | 51770675004   | Cast Iron   | Drip Cover |               |
| 360T  | SD100 841  | 51770675003   | Cast Iron   | Drip Cover |               |
| 400T  | SD100 841  | 51770675001   | Cast Iron   | Drip Cover |               |
| 440T  | SD100 841  | 51770675002   | Cast Iron   | Drip Cover |               |

#### Main Terminal Box

| Frame            | Motor Type | Part Number    | Description |             | List Price \$ |
|------------------|------------|----------------|-------------|-------------|---------------|
| 140T             | SD100 841  | 3MSG221081501  | Cast Iron   | Conduit Box |               |
| 180T             | SD100 841  | 3MSG221081501  | Cast Iron   | Conduit Box |               |
| 210T             | SD100 841  | 3MSG223081501  | Cast Iron   | Conduit Box |               |
| 250T             | SD100 841  | 3MSG223081502  | Cast Iron   | Conduit Box |               |
| 280T             | SD100 841  | 67372007000500 | Cast Iron   | Conduit Box |               |
| 320T             | SD100 841  | 67372009000500 | Cast Iron   | Conduit Box |               |
| 360T             | SD100 841  | 67372011000500 | Cast Iron   | Conduit Box |               |
| 400T             | SD100 841  | 67372011000500 | Cast Iron   | Conduit Box |               |
| 444T; 445T; 447T | SD100 841  | 67372011000500 | Cast Iron   | Conduit Box |               |
| 449T             | SD100 841  | 3MSG700088601  | Cast Iron   | Conduit Box |               |
| 5449             | SD100 841  | 3MSG700088601  | Cast Iron   | Conduit Box |               |

ATOORSANAT



# SIMOTICS Severe Duty motors SD661

**SD661** severe duty/IEEE 841 TEFC motors are available in NEMA Premium® efficiency with our die cast aluminum rotor design (184T-365T). They also exceed IEEE Std 841 TM-2009 standards for high performance, rugged construction and long service life, for the most demanding industrial applications. Also build in compliance with the requirements of API661 standard by incorporating roller bearings on frames 210-360 making them ideal for use for heavy belt driven heat exchangers applications in petro/chemical applications.



|                          |   |  |
|--------------------------|---|--|
| HP range                 | Frame Size  | 5-75 HP<br>180T-360T   |
| Efficiency               | NEMA Premium®   | 143T-S449  |
| Voltage 1)               | 460 V<br>575 V  | 3 phase 60Hz<br>5-75HP<br>5-75HP   |
| Insulation               | Insulation Class F<br>Service Factor @ 40°C<br>Temperature rise (Sine wave)                                   | <b>NEMA design B</b><br>NEMA MG1 Part 31<br>1.15<br>Class B @ 1.0SF<br>Class F @ 1.15SF          |
| Frame                    | 8 hole feet<br>Condensation drains<br>High strength carbon steel shaft<br>Inpro/Seal® Bearing Isolator – IP56 | <b>Cast iron</b><br>Casted<br>T Drains<br>C1045<br>DE & NDE<br>Two on lowest point in frame      |
| Stator/Windings rotor    | Stator<br>Rotor, die cast aluminum  | Random wound copper<br>180T-360T   |
| Conduit box              | Cast iron<br>Neoprene gasket  | Oversized<br>180T-360T<br>180T-360T  |
| Bearings                 | Single shielded<br>Bearing housing<br>Grease<br>Inlet / relief fittings                                       | 180T-360T<br>Cast iron<br>Polyurea base<br>Alemite / pressure (auto)<br>Bearing caps             |
| Fan and fan cover        | Cast Iron<br>Bidirectional fan  | 180T-360T<br>180T-360T<br>Polypropylene  |
| Hardware                 | Nameplate<br>Lifting eyebolt<br>Paint   | Rust resistant<br>Zinc plated<br>Stainless steel engraved<br>Included<br>Alkyd Modified -RAL7030 |
| Inverter duty            | Variable torque 20:1<br>Constant torque 20:1  | 180-360T<br>180-360T   |
| Hazardous classification | Service factor 1.0<br><br>Service factor 1.15   | CSA - 180T-360T (40°C)<br>Class I, Division 2, T3 temperature code<br>NA                         |

NEMA Premium® is a certification mark of the National Electrical Manufacturers Association.

1) Standard voltage for stock items, see option selection and pricing section for additional voltages.

# SIMOTICS Severe duty motors

## SD661 (Cast iron frame)

NEMA Premium®  
Die cast aluminum rotor

### 460V 60Hz – Foot mounted

| HP  | RPM  | Frame | Voltage | Type  | Part Number        | List Price \$ | Mult. Syml. | FL Amps | FI Nom Eff. (%) | Lbs  | Stock |
|-----|------|-------|---------|-------|--------------------|---------------|-------------|---------|-----------------|------|-------|
| 5   | 1800 | 184T  | 460     | SD661 | 1LE2422-1CB31-2AA3 |               | SD3         | 6.5     | 89.5            | 124  | ✓     |
| 7.5 | 1800 | 213T  | 460     | SD661 | 1LE2422-2AB11-2AA3 |               | SD3         | 9.7     | 91.7            | 191  | ✓     |
| 7.5 | 1200 | 254T  | 460     | SD661 | 1LE2422-2BC11-2AA3 |               | SD3         | 10.0    | 91.0            | 272  |       |
| 10  | 1800 | 215T  | 460     | SD661 | 1LE2422-2AB21-2AA3 |               | SD3         | 12.5    | 91.7            | 197  | ✓     |
| 10  | 1200 | 256T  | 460     | SD661 | 1LE2422-2BC21-2AA3 |               | SD3         | 13.5    | 91.0            | 288  |       |
| 15  | 1800 | 254T  | 460     | SD661 | 1LE2422-2BB11-2AA3 |               | SD3         | 19.0    | 92.4            | 289  | ✓     |
| 15  | 1200 | 284T  | 460     | SD661 | 1LE2422-2CC11-2AA3 |               | SD3         | 21.0    | 91.7            | 400  |       |
| 20  | 1800 | 256T  | 460     | SD661 | 1LE2422-2BB21-2AA3 |               | SD3         | 25.0    | 93.0            | 322  | ✓     |
| 20  | 1200 | 286T  | 460     | SD661 | 1LE2422-2CC21-2AA3 |               | SD3         | 27.0    | 91.7            | 465  |       |
| 25  | 1800 | 284T  | 460     | SD661 | 1LE2422-2CB11-2AA3 |               | SD3         | 30.0    | 93.6            | 445  | ✓     |
| 25  | 1200 | 324T  | 460     | SD661 | 1LE2422-3AC11-2AA3 |               | SD3         | 33.0    | 93.0            | 640  |       |
| 30  | 1800 | 286T  | 460     | SD661 | 1LE2422-2CB21-2AA3 |               | SD3         | 35.0    | 93.6            | 465  | ✓     |
| 30  | 1200 | 326T  | 460     | SD661 | 1LE2422-3AC21-2AA3 |               | SD3         | 39.0    | 93.0            | 675  |       |
| 40  | 1800 | 324T  | 460     | SD661 | 1LE2422-3AB11-2AA3 |               | SD3         | 46.0    | 94.1            | 666  | ✓     |
| 40  | 1800 | 364T  | 460     | SD661 | 1LE2422-3CC11-2AA3 |               | SD3         | 49.0    | 94.1            | 863  |       |
| 50  | 1800 | 326T  | 460     | SD661 | 1LE2422-3AB21-2AA3 |               | SD3         | 58.0    | 94.5            | 700  | ✓     |
| 50  | 1200 | 365T  | 460     | SD661 | 1LE2422-3CC21-2AA3 |               | SD3         | 62.0    | 94.1            | 900  |       |
| 60  | 1800 | 364T  | 460     | SD661 | 1LE2422-3CB11-2AA3 |               | SD3         | 68.0    | 95.0            | 930  | ✓     |
| 75  | 1800 | 365T  | 460     | SD661 | 1LE2422-3CB21-2AA3 |               | SD3         | 85.0    | 95.4            | 1000 | ✓     |

### 575V 60Hz – Foot mounted

| HP  | RPM  | Frame | Voltage | Type  | Part Number        | List Price \$ | Mult. Syml. | FL Amps | FI Nom Eff. (%) | Lbs  | Stock |
|-----|------|-------|---------|-------|--------------------|---------------|-------------|---------|-----------------|------|-------|
| 5   | 1800 | 184T  | 575     | SD661 | 1LE2422-1CB31-3AA3 |               | SD3         | 6.5     | 89.5            | 124  |       |
| 7.5 | 1800 | 213T  | 575     | SD661 | 1LE2422-2AB11-3AA3 |               | SD3         | 9.7     | 91.7            | 191  |       |
| 10  | 1800 | 215T  | 575     | SD661 | 1LE2422-2AB21-3AA3 |               | SD3         | 12.5    | 91.7            | 197  |       |
| 15  | 1800 | 254T  | 575     | SD661 | 1LE2422-2BB11-3AA3 |               | SD3         | 19.0    | 92.4            | 289  |       |
| 20  | 1800 | 256T  | 575     | SD661 | 1LE2422-2BB21-3AA3 |               | SD3         | 25.0    | 93.0            | 322  |       |
| 25  | 1800 | 284T  | 575     | SD661 | 1LE2422-2CB11-3AA3 |               | SD3         | 30.0    | 93.6            | 445  |       |
| 30  | 1800 | 286T  | 575     | SD661 | 1LE2422-2CB21-3AA3 |               | SD3         | 35.0    | 93.6            | 465  |       |
| 40  | 1800 | 324T  | 575     | SD661 | 1LE2422-3AB11-3AA3 |               | SD3         | 46.0    | 94.1            | 666  |       |
| 50  | 1800 | 326T  | 575     | SD661 | 1LE2422-3AB21-3AA3 |               | SD3         | 58.0    | 94.5            | 700  |       |
| 60  | 1800 | 364T  | 575     | SD661 | 1LE2422-3CB11-3AA3 |               | SD3         | 68.0    | 95.0            | 930  |       |
| 75  | 1800 | 365T  | 575     | SD661 | 1LE2422-3CB21-3AA3 |               | SD3         | 85.0    | 95.4            | 1000 |       |

NEMA Premium® is a certification mark of the National Electrical Manufacturers Association.  
QuikMOD Delivery for stocked motors only.  
Stock availability subject to change.

Prices and Specifications are subject to change without notice.  
DOE#CC032A  
Shaded ratings indicated roller bearings.

# SIMOTICS Severe duty motors

## SD661 (Cast iron frame)

### Spare Parts

#### Bearings

| Frame | Motor Type | Part Number | Description |                              | List Price \$ |
|-------|------------|-------------|-------------|------------------------------|---------------|
| 180T  | SD661      | 51380864006 | DE/ODE      | Bearing, 6206 Z C3 30BC02JP3 |               |
| 210T  | SD661      |             | DE          | Bearing, NU 208 C3           |               |
| 210T  | SD661      | 51380864008 | ODE         | Bearing, 6208 Z C3 40BC02JP3 |               |
| 280T  | SD661      |             | DE          | Bearing, NU 309 C3           |               |
| 280T  | SD661      | 51380865010 | ODE         | Bearing, 6310 Z C3 50BC03JP3 |               |
| 280T  | SD661      |             | DE          | Bearing, NU 310 C3           |               |
| 280T  | SD661      | 51380865010 | ODE         | Bearing, 6310 Z C3 50BC03JP3 |               |
| 320T  | SD661      |             | DE          | Bearing, NU 312 C3           |               |
| 320T  | SD661      | 51380865012 | ODE         | Bearing, 6312 Z C3 60BC03JP3 |               |
| 360T  | SD661      |             | DE          | Bearing, NU 314 C3           |               |
| 360T  | SD661      | 51380865014 | ODE         | Bearing, 6314 Z C3 70BC03JP3 |               |

#### Fan Housing

| Frame | Motor Type | Part Number       | Description |                            | List Price \$ |
|-------|------------|-------------------|-------------|----------------------------|---------------|
| 180T  | SD661      | 3MSP221079201     | Cast Iron   | Fan Housing                |               |
| 210T  | SD661      | 3MSP222079201     | Cast Iron   | Fan Housing                |               |
| 250T  | SD661      | 3MSP223079201     | Cast Iron   | Fan Housing                |               |
| 280T  | SD661      | 3MSP710114901     | Cast Iron   | Fan Housing                |               |
| 320T  | SD661      | 3MSP720114901     | Cast Iron   | Fan Housing                |               |
| 360T  | SD661      | 3MSP730114901     | Cast Iron   | Fan Housing                |               |
| 360T  | SD661      | US2:3MSP730205901 | Cast Iron   | Grid                       |               |
| 180T  | SD661      | 3MSP221080601     | Cast Iron   | Fan housing for Drip Cover |               |
| 210T  | SD661      | 3MSP222080601     | Cast Iron   | Fan housing for Drip Cover |               |
| 250T  | SD661      | 3MSP223080601     | Cast Iron   | Fan housing for Drip Cover |               |

# SIMOTICS Severe duty motors

## SD661 (Cast iron frame)

## Spare Parts

### Cooling Fan

| Frame | Motor Type | Part Number   | Description |             | List Price \$ |
|-------|------------|---------------|-------------|-------------|---------------|
| 180T  | SD661      | 3MSG221079602 | 900         | Cooling Fan |               |
| 210T  | SD661      | 3MSG223079603 | 900         | Cooling Fan |               |
| 250T  | SD661      | 3MSG223079601 | 900         | Cooling Fan |               |
| 280T  | SD661      | 51817700002   | 900         | Cooling Fan |               |
| 320T  | SD661      | 51817700001   | 900         | Cooling Fan |               |
| 360T  | SD661      | 51816861002   | 900         | Cooling Fan |               |
| 180T  | SD661      | 3MSG221079602 | 1200        | Cooling Fan |               |
| 210T  | SD661      | 3MSG223079603 | 1200        | Cooling Fan |               |
| 250T  | SD661      | 3MSG223079607 | 1200        | Cooling Fan |               |
| 280T  | SD661      | 51817700005   | 1200        | Cooling Fan |               |
| 320T  | SD661      | 51817700003   | 1200        | Cooling Fan |               |
| 360T  | SD661      | 51816861004   | 1200        | Cooling Fan |               |

|      |       |               |      |             |  |
|------|-------|---------------|------|-------------|--|
| 180T | SD661 | 3MSG221079602 | 1800 | Cooling Fan |  |
| 210T | SD661 | 3MSG223079607 | 1800 | Cooling Fan |  |
| 250T | SD661 | 3MSG223079603 | 1800 | Cooling Fan |  |
| 280T | SD661 | 51817700006   | 1800 | Cooling Fan |  |
| 320T | SD661 | 51817700005   | 1800 | Cooling Fan |  |
| 360T | SD661 | 51816861005   | 1800 | Cooling Fan |  |

|      |       |               |             |             |  |
|------|-------|---------------|-------------|-------------|--|
| 180T | SD661 | 3MSG221079604 | 3600        | Cooling Fan |  |
| 210T | SD661 | 3MSG223079610 | 3600        | Cooling Fan |  |
| 250T | SD661 | 3MSG223079610 | 3600        | Cooling Fan |  |
| 280T | SD661 | 51817700007   | 3600        | Cooling Fan |  |
| 320T | SD661 | 51817700006   | 3600        | Cooling Fan |  |
| 364T | SD661 | 51817700006   | 3600 - 60HP | Cooling Fan |  |
| 365T | SD661 | 51817700003   | 3600 - 75HP | Cooling Fan |  |

### Drip Cover

| Frame | Motor Type | Part Number   | Description |            | List Price \$ |
|-------|------------|---------------|-------------|------------|---------------|
| 180T  | SD661      | 3MSP223080702 | Cast Iron   | Drip Cover |               |
| 210T  | SD661      | 3MSP223080703 | Cast Iron   | Drip Cover |               |
| 250T  | SD661      | 3MSP223080704 | Cast Iron   | Drip Cover |               |
| 280T  | SD661      | 51770675005   | Cast Iron   | Drip Cover |               |
| 320T  | SD661      | 51770675004   | Cast Iron   | Drip Cover |               |
| 360T  | SD661      | 51770675003   | Cast Iron   | Drip Cover |               |

### Main Terminal Box

| Frame | Motor Type | Part Number    | Description |             | List Price \$ |
|-------|------------|----------------|-------------|-------------|---------------|
| 180T  | SD661      | 3MSG221081501  | Cast Iron   | Conduit Box |               |
| 210T  | SD661      | 3MSG223081501  | Cast Iron   | Conduit Box |               |
| 250T  | SD661      | 3MSG223081502  | Cast Iron   | Conduit Box |               |
| 280T  | SD661      | 67372007000500 | Cast Iron   | Conduit Box |               |
| 320T  | SD661      | 67372009000500 | Cast Iron   | Conduit Box |               |
| 360T  | SD661      | 67372011000500 | Cast Iron   | Conduit Box |               |

# SIMOTICS Explosion proof motors XP100

XP100 explosion-proof motors are UL® listed for gas and dust ignition proof environments, and are suitable for use in Class I, Groups C&D, Class II, Groups F & G, Division 1 hazardous areas.



|                          |  |  |
|--------------------------|--|--|
| HP range                 | Frame Size   | <b>1-300 HP</b><br>143T-449T   |
| Efficiency               | NEMA Premium®  | 143T-449T  |
| Voltage <sup>1)</sup>    | 208-230 / 460 V<br>230 / 460 V<br>460 V<br>575 V   | <b>3 phase 60Hz</b><br>1-20HP or up to 256T frames<br>10-100HP or from 280T thru 400T frames<br>125-300HP<br>1-300HP   |
| Insulation               | Insulation Class F<br>Service Factor @ 40°C<br>Temperature rise (Sine wave)  | <b>NEMA design B <sup>2)</sup></b><br>NEMA MG1 Part 31<br><sup>3)</sup> 1.15<br>Class B @ 1.0SF<br>Class F @ 1.15SF  |
| Frame                    | 8 hole feet<br>Condensation drains<br>High strength carbon steel Shaft<br>V ring slinger - IP65<br>Inpro/Seal® Bearing Isolator - IP66 | <b>Cast iron</b><br>Casted<br>284-449T UL Approved<br>C1045<br>DE & NDE<br>DE  |
| Stator/Windings rotor    | Stator<br>Rotor, die cast aluminum   | Random wound copper +NC Temp Protective devices<br>143T-449T   |
| Conduit box              | Cast iron<br>Seal leads  | <b>Oversized</b><br>143T-449T<br>143T-449T   |
| Bearings                 | Double shielded<br>Bearing housing<br>Inlet / relief fittings  | 143T-449T<br>Cast iron Bearing caps<br>Alemite / plug  |
| Fan and fan cover        | Cast Iron<br>Bidirectional fan   | <b>Oversized</b><br>143T-449T<br>143T-449T Polypropylene   |
| Hardware                 | Nameplate<br>Lifting eyebolt<br>Paint  | <b>Rust resistant</b> Zinc plated grade 5 only<br>Stainless steel engraved<br>Included above 75 lbs.<br>Alkyd Modified -RAL7030  |
| Inverter duty            | Variable torque 20:1<br>Constant torque 4:1<br>Constant torque 6:1   | 143T-449T<br>143T-326T<br>364T-445T <sup>4)</sup>  |
| Hazardous classification | Service factor 1.0<br><br>Service factor 1.15  | UL - 143T-326T (55°C)<br>Class I, Group C&D<br>Class II Groups E, F&G, Division 1<br>T3C - temperature code<br>UL - 143T-326T (40°C)<br>Class I, Group C&D<br>Class II Groups E, F&G, Division 1<br>T3C - temperature code |

NEMA Premium® is a certification mark of the National Electrical Manufacturers Association.

1) Standard voltage for stock items, see option selection and pricing section for additional voltages.

2) NEMA design A: 250HP and 300HP, 4 and 6 pole.

3) 1.0 S.F. for 449T higher ratings: 300HP 2 & 4 Pole , 250HP 6 Pole, 200HP 8 Pole.

4) Available as option (M05 -VSD fan).

# SIMOTICS Explosion proof motors

XP100

NEMA Premium®

Class I, Groups C&D, Class II, Groups F&G, Division 1

460V 60Hz – Foot mounted,

| HP  | RPM  | Frame | Voltage     | Type  | Part Number      | List Price \$ | Mult. Syubl. | FL Amps | FI Nom Eff. (%) | Lbs | Stock |
|-----|------|-------|-------------|-------|------------------|---------------|--------------|---------|-----------------|-----|-------|
| 1   | 1800 | 143T  | 208-230/460 | XP100 | 1MB21211AB214AG3 |               | XXP          | 1.4     | 85.5            | 77  | ✓     |
| 1   | 1200 | 145T  | 208-230/460 | XP100 | 1MB21211AC314AG3 |               | XXP          | 1.6     | 82.5            | 88  | ✓     |
| 1   | 900  | 182T  | 208-230/460 | XP100 | 1MB21211CD114AG3 |               | XXP          | 2.1     | 81.5            | 100 | ✓     |
| 1.5 | 3600 | 143T  | 208-230/460 | XP100 | 1MB21211AA214AG3 |               | XXP          | 2.0     | 84.0            | 55  | ✓     |
| 1.5 | 1800 | 145T  | 208-230/460 | XP100 | 1MB21211AB314AG3 |               | XXP          | 2.1     | 86.5            | 88  | ✓     |
| 1.5 | 1200 | 182T  | 208-230/460 | XP100 | 1MB21211CC114AG3 |               | XXP          | 2.4     | 87.5            | 105 | ✓     |
| 1.5 | 900  | 184T  | 208-230/460 | XP100 | 1MB21211CD314AG3 |               | XXP          | 3.0     | 82.5            | 125 | ✓     |
| 2   | 3600 | 145T  | 208-230/460 | XP100 | 1MB21211AA314AG3 |               | XXP          | 2.5     | 85.5            | 65  | ✓     |
| 2   | 1800 | 145T  | 208-230/460 | XP100 | 1MB21211AB414AG3 |               | XXP          | 2.7     | 86.5            | 88  | ✓     |
| 2   | 1200 | 184T  | 208-230/460 | XP100 | 1MB21211CC314AG3 |               | XXP          | 3.2     | 88.5            | 125 | ✓     |
| 2   | 900  | 213T  | 208-230/460 | XP100 | 1MB21212AD114AG3 |               | XXP          | 3.3     | 84.0            | 161 | ✓     |
| 3   | 3600 | 182T  | 208-230/460 | XP100 | 1MB21211CA114AG3 |               | XXP          | 3.8     | 86.5            | 88  | ✓     |
| 3   | 1800 | 182T  | 208-230/460 | XP100 | 1MB21211CB114AG3 |               | XXP          | 4.0     | 89.5            | 110 | ✓     |
| 3   | 1200 | 213T  | 208-230/460 | XP100 | 1MB21212AC114AG3 |               | XXP          | 4.3     | 89.5            | 173 | ✓     |
| 3   | 900  | 215T  | 208-230/460 | XP100 | 1MB21212AD214AG3 |               | XXP          | 4.8     | 85.5            | 173 | ✓     |
| 5   | 3600 | 184T  | 208-230/460 | XP100 | 1MB21211CA314AG3 |               | XXP          | 6.0     | 88.5            | 105 | ✓     |
| 5   | 1800 | 184T  | 208-230/460 | XP100 | 1MB21211CB314AG3 |               | XXP          | 6.4     | 89.5            | 125 | ✓     |
| 5   | 1200 | 215T  | 208-230/460 | XP100 | 1MB21212AC214AG3 |               | XXP          | 6.7     | 89.5            | 180 | ✓     |
| 5   | 900  | 254T  | 208-230/460 | XP100 | 1MB21212BD114AG3 |               | XXP          | 8.8     | 86.5            | 270 | ✓     |
| 7.5 | 3600 | 213T  | 208-230/460 | XP100 | 1MB21212AA114AG3 |               | XXP          | 8.8     | 89.5            | 165 | ✓     |
| 7.5 | 1800 | 213T  | 208-230/460 | XP100 | 1MB21212AB114AG3 |               | XXP          | 9.7     | 91.7            | 185 | ✓     |
| 7.5 | 1200 | 254T  | 208-230/460 | XP100 | 1MB21212BC114AG3 |               | XXP          | 10.0    | 91.0            | 285 | ✓     |
| 7.5 | 900  | 256T  | 208-230/460 | XP100 | 1MB21212BD214AG3 |               | XXP          | 13.0    | 87.5            | 300 | ✓     |
| 10  | 3600 | 215T  | 208-230/460 | XP100 | 1MB21212AA214AG3 |               | XXP          | 11.5    | 90.2            | 173 | ✓     |
| 10  | 1800 | 215T  | 208-230/460 | XP100 | 1MB21212AB214AG3 |               | XXP          | 12.5    | 91.7            | 187 | ✓     |
| 10  | 1200 | 256T  | 208-230/460 | XP100 | 1MB21212BC214AG3 |               | XXP          | 13.5    | 91.0            | 308 | ✓     |
| 10  | 900  | 284T  | 230/460     | XP100 | 1MB21212CD116AG3 |               | XXP          | 17.0    | 90.2            | 486 |       |
| 15  | 3600 | 254T  | 208-230/460 | XP100 | 1MB21212BA114AG3 |               | XXP          | 17.5    | 91.0            | 283 | ✓     |
| 15  | 1800 | 254T  | 208-230/460 | XP100 | 1MB21212BB114AG3 |               | XXP          | 19.0    | 92.4            | 303 | ✓     |
| 15  | 1200 | 284T  | 230/460     | XP100 | 1MB21212CC116AG3 |               | XXP          | 21.0    | 91.7            | 481 | ✓     |
| 15  | 900  | 286T  | 230/460     | XP100 | 1MB21212CD216AG3 |               | XXP          | 23.0    | 91.0            | 531 |       |
| 20  | 3600 | 256T  | 208-230/460 | XP100 | 1MB21212BA214AG3 |               | XXP          | 22.5    | 91.0            | 308 | ✓     |
| 20  | 1800 | 256T  | 208-230/460 | XP100 | 1MB21212BB214AG3 |               | XXP          | 25.0    | 93.0            | 340 | ✓     |
| 20  | 1200 | 286T  | 230/460     | XP100 | 1MB21212CC216AG3 |               | XXP          | 27.0    | 91.7            | 506 | ✓     |
| 20  | 900  | 324T  | 230/460     | XP100 | 1MB21213AD116AG3 |               | XXP          | 32.0    | 91.0            | 636 |       |
| 25  | 3600 | 284TS | 230/460     | XP100 | 1MB21212DA116AG3 |               | XXP          | 29.0    | 91.7            | 526 | ✓     |
| 25  | 1800 | 284T  | 230/460     | XP100 | 1MB21212CB116AG3 |               | XXP          | 30.0    | 93.6            | 501 | ✓     |
| 25  | 1200 | 324T  | 230/460     | XP100 | 1MB21213AC116AG3 |               | XXP          | 33.0    | 93.0            | 713 | ✓     |
| 25  | 900  | 326T  | 230/460     | XP100 | 1MB21213AD216AG3 |               | XXP          | 40.0    | 91.0            | 683 |       |

NEMA Premium® is a certification mark of the National Electrical Manufacturers Association.  
QuikMOD Delivery for stocked motors only.  
Stock availability subject to change.

900 RPM Motors meet or exceed EPA efficiency.  
Prices and Specifications are subject to change without notice.  
DOE#CC032A

# SIMOTICS Explosion proof motors

## XP100

## NEMA Premium®

### Class I, Groups C&D, Class II, Groups F&G, Division 1

460V 60Hz – Foot mounted

| HP  | RPM  | Frame | Voltage | Type  | Part Number      | List Price \$ | Mult. Symb. | FL Amps | FL Nom Eff. (%) | Lbs  | Stock |
|-----|------|-------|---------|-------|------------------|---------------|-------------|---------|-----------------|------|-------|
| 30  | 3600 | 286TS | 230/460 | XP100 | 1MB21212DA216AG3 |               | XXP         | 34.0    | 91.7            | 521  | ✓     |
| 30  | 1800 | 286T  | 230/460 | XP100 | 1MB21212CB216AG3 |               | XXP         | 35.0    | 93.6            | 521  | ✓     |
| 30  | 1200 | 326T  | 230/460 | XP100 | 1MB21213AC216AG3 |               | XXP         | 39.0    | 93.0            | 678  | ✓     |
| 30  | 900  | 364T  | 230/460 | XP100 | 1MB21213CD116AG3 |               | XXP         | 41.0    | 91.7            | 860  |       |
| 40  | 3600 | 324TS | 230/460 | XP100 | 1MB21213BA116AG3 |               | XXP         | 45.0    | 93.6            | 606  | ✓     |
| 40  | 1800 | 324T  | 230/460 | XP100 | 1MB21213AB116AG3 |               | XXP         | 46.0    | 94.1            | 653  | ✓     |
| 40  | 1200 | 364T  | 230/460 | XP100 | 1MB21213CC116AG3 |               | XXP         | 49.0    | 94.1            | 835  | ✓     |
| 40  | 900  | 365T  | 230/460 | XP100 | 1MB21213CD216AG3 |               | XXP         | 63.0    | 91.7            | 940  |       |
| 50  | 3600 | 326TS | 230/460 | XP100 | 1MB21213BA216AG3 |               | XXP         | 55.0    | 93.6            | 615  | ✓     |
| 50  | 1800 | 326T  | 230/460 | XP100 | 1MB21213AB216AG3 |               | XXP         | 58.0    | 94.5            | 695  | ✓     |
| 50  | 1200 | 365T  | 230/460 | XP100 | 1MB21213CC216AG3 |               | XXP         | 62.0    | 94.1            | 870  | ✓     |
| 50  | 900  | 404T  | 230/460 | XP100 | 1MB21214AD116AG3 |               | XXP         | 67.0    | 92.4            | 1050 |       |
| 60  | 3600 | 364TS | 230/460 | XP100 | 1MB21213DA116AG3 |               | XXP         | 68.0    | 93.6            | 790  | ✓     |
| 60  | 1800 | 364T  | 230/460 | XP100 | 1MB21213CB116AG3 |               | XXP         | 68.0    | 95.0            | 890  | ✓     |
| 60  | 1200 | 404T  | 230/460 | XP100 | 1MB21214AC116AG3 |               | XXP         | 74.0    | 94.5            | 1055 | ✓     |
| 60  | 900  | 405T  | 230/460 | XP100 | 1MB21214AD216AG3 |               | XXP         | 78.0    | 92.4            | 1050 |       |
| 75  | 3600 | 365TS | 230/460 | XP100 | 1MB21213DA216AG3 |               | XXP         | 86.0    | 94.1            | 900  | ✓     |
| 75  | 1800 | 365T  | 230/460 | XP100 | 1MB21213CB216AG3 |               | XXP         | 85.0    | 95.4            | 960  | ✓     |
| 75  | 1200 | 405T  | 230/460 | XP100 | 1MB21214AC216AG3 |               | XXP         | 93.0    | 94.5            | 1025 | ✓     |
| 75  | 900  | 444T  | 230/460 | XP100 | 1MB21214CD116AG3 |               | XXP         | 94.0    | 93.6            | 1551 |       |
| 100 | 3600 | 405TS | 230/460 | XP100 | 1MB21214BA216AG3 |               | XXP         | 108.0   | 94.1            | 1020 | ✓     |
| 100 | 1800 | 405T  | 230/460 | XP100 | 1MB21214AB216AG3 |               | XXP         | 113.0   | 95.4            | 1115 | ✓     |
| 100 | 1200 | 444T  | 230/460 | XP100 | 1MB21214CC116AG3 |               | XXP         | 117.0   | 95.0            | 1551 | ✓     |
| 100 | 900  | 445T  | 230/460 | XP100 | 1MB21214CD216AG3 |               | XXP         | 123.0   | 94.1            | 1770 | ✓     |
| 125 | 3600 | 444TS | 460     | XP100 | 1MB21214DA112AG3 |               | XXP         | 138.0   | 95.0            | 1450 | ✓     |
| 125 | 1800 | 444T  | 460     | XP100 | 1MB21214CB112AG3 |               | XXP         | 143.0   | 95.4            | 1659 | ✓     |
| 125 | 1800 | 444TS | 460     | XP100 | 1MB21214DB112AG3 |               | XXP         | 143.0   | 95.4            | 1596 | ✓     |
| 125 | 1800 | 444T  | 460     | XP100 | 1MB21214EB112AG3 |               | XXP         | 143.0   | 95.4            | 1621 | ✓     |
| 125 | 1200 | 445T  | 460     | XP100 | 1MB21214CC212AG3 |               | XXP         | 144.0   | 95.0            | 1771 | ✓     |
| 125 | 900  | 447T  | 460     | XP100 | 1MB21214CD312AG3 |               | XXP         | 152.0   | 94.1            | 2029 |       |
| 150 | 3600 | 445TS | 460     | XP100 | 1MB21214DA212AG3 |               | XXP         | 164.0   | 95.0            | 1611 | ✓     |
| 150 | 1800 | 445T  | 460     | XP100 | 1MB21214CB212AG3 |               | XXP         | 170.0   | 95.8            | 1934 | ✓     |
| 150 | 1800 | 445TS | 460     | XP100 | 1MB21214DB212AG3 |               | XXP         | 170.0   | 95.8            | 1706 | ✓     |
| 150 | 1800 | 445T  | 460     | XP100 | 1MB21214EB212AG3 |               | XXP         | 170.0   | 95.8            | 1896 | ✓     |
| 150 | 1200 | 447T  | 460     | XP100 | 1MB21214CC312AG3 |               | XXP         | 172.0   | 95.8            | 2029 | ✓     |
| 150 | 900  | 449T  | 460     | XP100 | 1MB21214CD512AG3 |               | XXP         | 180.0   | 94.1            | 2508 |       |

NEMA Premium® is a certification mark of the National Electrical Manufacturers Association.  
 QuikMOD Delivery for stocked motors only.  
 Shaded ratings indicated roller bearings.

Stock availability subject to change.  
 900 RPM Motors meet or exceed EPA efficiency.  
 Prices and Specifications are subject to change without notice.  
 DOE#CC032A

# SIMOTICS Explosion proof motors

XP100

NEMA Premium®

Class I, Groups C&D, Class II, Groups F&G, Division 1

460V 60Hz – Foot mounted

| HP  | RPM  | Frame               | Voltage | Type  | Part Number      | List Price \$ | Mult. Symb. | FL Amps | FL Nom Eff. (%) | Lbs  | Stock |
|-----|------|---------------------|---------|-------|------------------|---------------|-------------|---------|-----------------|------|-------|
| 200 | 3600 | 447TS               | 460     | XP100 | 1MB21214DA312AG3 |               | XXP         | 216.0   | 95.4            | 2250 | ✓     |
| 200 | 1800 | 447T                | 460     | XP100 | 1MB21214CB312AG3 |               | XXP         | 228.0   | 96.2            | 2314 | ✓     |
| 200 | 1800 | 447TS               | 460     | XP100 | 1MB21214DB312AG3 |               | XXP         | 228.0   | 96.2            | 2250 | ✓     |
| 200 | 1800 | 447T                | 460     | XP100 | 1MB21214EB312AG3 |               | XXP         | 228.0   | 96.2            | 2276 | ✓     |
| 200 | 1200 | 449T                | 460     | XP100 | 1MB21214CC512AG3 |               | XXP         | 227.0   | 95.8            | 2450 | ✓     |
| 200 | 1200 | 449T                | 460     | XP100 | 1MB21214EC512AG3 |               | XXP         | 227.0   | 95.8            | 2440 | ✓     |
| 200 | 900  | 449T                | 460     | XP100 | 1MB21214CD612AG3 |               | XXP         | 240.0   | 94.5            | 2450 |       |
| 250 | 3600 | 449TS               | 460     | XP100 | 1MB21214DA512AG3 |               | XXP         | 265.0   | 95.8            | 2300 | ✓     |
| 250 | 1800 | 449T <sup>2)</sup>  | 460     | XP100 | 1MB21214CB512AG3 |               | XXP         | 278.0   | 96.2            | 2453 | ✓     |
| 250 | 1800 | 449TS <sup>2)</sup> | 460     | XP100 | 1MB21214DB512AG3 |               | XXP         | 278.0   | 96.2            | 2453 | ✓     |
| 250 | 1800 | 449T <sup>2)</sup>  | 460     | XP100 | 1MB21214EB512AG3 |               | XXP         | 278.0   | 96.2            | 2453 | ✓     |
| 250 | 1200 | 449TS <sup>2)</sup> | 460     | XP100 | 1MB21214DC612AG3 |               | XXP         | 281.0   | 95.8            | 2400 | ✓     |
| 300 | 3600 | 449TS               | 460     | XP100 | 1MB21214DA612AG3 |               | XXP         | 325.0   | 95.8            | 2300 | ✓     |
| 300 | 1800 | 449T <sup>2)</sup>  | 460     | XP100 | 1MB21214CB612AG3 |               | XXP         | 338.0   | 96.2            | 2350 | ✓     |
| 300 | 1800 | 449T <sup>2)</sup>  | 460     | XP100 | 1MB21214EB612AG3 |               | XXP         | 338.0   | 96.2            | 2315 |       |
| 300 | 1800 | 449TS <sup>2)</sup> | 460     | XP100 | 1MB21214DB612AG3 |               | XXP         | 338.0   | 96.2            | 2315 | ✓     |



NEMA Premium® is a certification mark of the National Electrical Manufacturers Association.  
QuikMOD Delivery for stocked motors only.  
Shaded ratings indicated roller bearings.

<sup>2)</sup> NEMA design A  
Stock availability subject to change.  
900 RPM Motors meet or exceed EPA efficiency.  
Prices and Specifications are subject to change without notice.  
DOE#CC032A



# SIMOTICS Explosion proof motors

## XP100

## NEMA Premium®

### Class I, Groups C&D, Class II, Groups F&G, Division 1

460V 60Hz – C-face footless with canopy

| HP  | RPM  | Frame  | Voltage | Type  | Part Number      | List Price \$ | Mult. Symb. | FL Amps | FL Nom Eff. (%) | Lbs | Stock |
|-----|------|--------|---------|-------|------------------|---------------|-------------|---------|-----------------|-----|-------|
| 1   | 1800 | 143TCV | 230/460 | XP100 | 1MB21211AB216LG3 |               | XXP         | 1.4     | 85.5            | 82  | ✓     |
| 1   | 1200 | 145TCV | 230/460 | XP100 | 1MB21211AC316LG3 |               | XXP         | 1.6     | 82.5            | 93  | ✓     |
| 1   | 900  | 182TCV | 230/460 | XP100 | 1MB21211CD116LG3 |               | XXP         | 2.1     | 81.5            | 99  | ✓     |
| 1.5 | 3600 | 143TCV | 230/460 | XP100 | 1MB21211AA216LG3 |               | XXP         | 2.0     | 84.0            | 60  | ✓     |
| 1.5 | 1800 | 145TCV | 230/460 | XP100 | 1MB21211AB316LG3 |               | XXP         | 2.1     | 86.5            | 93  | ✓     |
| 1.5 | 1200 | 182TCV | 230/460 | XP100 | 1MB21211CC116LG3 |               | XXP         | 2.4     | 87.5            | 104 | ✓     |
| 1.5 | 900  | 184TCV | 230/460 | XP100 | 1MB21211CD316LG3 |               | XXP         | 3.0     | 82.5            | 124 | ✓     |
| 2   | 3600 | 145TCV | 230/460 | XP100 | 1MB21211AA316LG3 |               | XXP         | 2.5     | 85.5            | 70  | ✓     |
| 2   | 1800 | 145TCV | 230/460 | XP100 | 1MB21211AB416LG3 |               | XXP         | 2.7     | 86.5            | 93  | ✓     |
| 2   | 1200 | 184TCV | 230/460 | XP100 | 1MB21211CC316LG3 |               | XXP         | 3.2     | 88.5            | 124 | ✓     |
| 2   | 900  | 213TCV | 230/460 | XP100 | 1MB21212AD116LG3 |               | XXP         | 3.3     | 84.0            | 158 | ✓     |
| 3   | 3600 | 182TCV | 230/460 | XP100 | 1MB21211CA116LG3 |               | XXP         | 3.8     | 86.5            | 87  | ✓     |
| 3   | 1800 | 182TCV | 230/460 | XP100 | 1MB21211CB116LG3 |               | XXP         | 4.0     | 89.5            | 109 | ✓     |
| 3   | 1200 | 213TCV | 230/460 | XP100 | 1MB21212AC116LG3 |               | XXP         | 4.3     | 89.5            | 170 | ✓     |
| 3   | 900  | 215TCV | 230/460 | XP100 | 1MB21212AD216LG3 |               | XXP         | 4.8     | 85.5            | 170 | ✓     |
| 5   | 3600 | 184TCV | 230/460 | XP100 | 1MB21211CA316LG3 |               | XXP         | 6.0     | 88.5            | 104 | ✓     |
| 5   | 1800 | 184TCV | 230/460 | XP100 | 1MB21211CB316LG3 |               | XXP         | 6.4     | 89.5            | 124 | ✓     |
| 5   | 1200 | 215TCV | 230/460 | XP100 | 1MB21212AC216LG3 |               | XXP         | 6.7     | 89.5            | 177 | ✓     |
| 5   | 900  | 254TCV | 230/460 | XP100 | 1MB21212BD116LG3 |               | XXP         | 8.8     | 86.5            | 268 | ✓     |
| 7.5 | 3600 | 213TCV | 230/460 | XP100 | 1MB21212AA116LG3 |               | XXP         | 8.8     | 89.5            | 163 | ✓     |
| 7.5 | 1800 | 213TCV | 230/460 | XP100 | 1MB21212AB116LG3 |               | XXP         | 9.7     | 91.7            | 183 | ✓     |
| 7.5 | 1200 | 254TCV | 230/460 | XP100 | 1MB21212BC116LG3 |               | XXP         | 10.0    | 91.0            | 283 | ✓     |
| 7.5 | 900  | 256TCV | 230/460 | XP100 | 1MB21212BD216LG3 |               | XXP         | 13.0    | 87.5            | 298 | ✓     |
| 10  | 3600 | 215TCV | 230/460 | XP100 | 1MB21212AA216LG3 |               | XXP         | 11.5    | 90.2            | 170 | ✓     |
| 10  | 1800 | 215TCV | 230/460 | XP100 | 1MB21212AB216LG3 |               | XXP         | 12.5    | 91.7            | 185 | ✓     |
| 10  | 1200 | 256TCV | 230/460 | XP100 | 1MB21212BC216LG3 |               | XXP         | 13.5    | 91.0            | 306 | ✓     |
| 15  | 3600 | 254TCV | 230/460 | XP100 | 1MB21212BA116LG3 |               | XXP         | 17.5    | 91.0            | 281 | ✓     |
| 15  | 1800 | 254TCV | 230/460 | XP100 | 1MB21212BB116LG3 |               | XXP         | 19.0    | 92.4            | 301 | ✓     |
| 15  | 1200 | 284TCV | 230/460 | XP100 | 1MB21212CC116LG3 |               | XXP         | 21.0    | 91.7            | 484 | ✓     |
| 20  | 3600 | 256TCV | 230/460 | XP100 | 1MB21212BA216LG3 |               | XXP         | 22.5    | 91.0            | 306 | ✓     |
| 20  | 1800 | 256TCV | 230/460 | XP100 | 1MB21212BB216LG3 |               | XXP         | 25.0    | 93.0            | 338 | ✓     |

NEMA Premium® is a certification mark of the National Electrical Manufacturers Association.  
 QuikMOD Delivery for stocked motors only.  
 Stock availability subject to change.

900 RPM Motors meet or exceed EPC efficiency.  
 Prices and Specifications are subject to change without notice.  
 DOE#CC032A

# SIMOTICS Explosion proof motors

XP100

NEMA Premium®

Class I, Groups C&D, Class II, Groups F&G, Division 1

575V 60Hz, Foot mounted

| HP  | RPM  | Frame | Voltage | Type  | Part Number      | List Price \$ | Mult. Symb. | FL Amps | FL Nom Eff. (%) | Lbs | Stock |
|-----|------|-------|---------|-------|------------------|---------------|-------------|---------|-----------------|-----|-------|
| 1   | 1800 | 143T  | 575     | XP100 | 1MB21211AB213AG3 |               | XXP         | 1.1     | 85.5            | 77  | ✓     |
| 1   | 1200 | 145T  | 575     | XP100 | 1MB21211AC313AG3 |               | XXP         | 1.3     | 82.5            | 88  | ✓     |
| 1   | 900  | 182T  | 575     | XP100 | 1MB21211CD113AG3 |               | XXP         | 1.7     | 81.5            | 100 |       |
| 1.5 | 3600 | 143T  | 575     | XP100 | 1MB21211AA213AG3 |               | XXP         | 1.6     | 84.0            | 55  | ✓     |
| 1.5 | 1800 | 145T  | 575     | XP100 | 1MB21211AB313AG3 |               | XXP         | 1.7     | 86.5            | 88  | ✓     |
| 1.5 | 1200 | 182T  | 575     | XP100 | 1MB21211CC113AG3 |               | XXP         | 1.9     | 87.5            | 105 | ✓     |
| 1.5 | 900  | 184T  | 575     | XP100 | 1MB21211CD313AG3 |               | XXP         | 2.4     | 82.5            | 125 |       |
| 2   | 3600 | 145T  | 575     | XP100 | 1MB21211AA313AG3 |               | XXP         | 2.0     | 85.5            | 65  | ✓     |
| 2   | 1800 | 145T  | 575     | XP100 | 1MB21211AB413AG3 |               | XXP         | 2.2     | 86.5            | 88  | ✓     |
| 2   | 1200 | 184T  | 575     | XP100 | 1MB21211CC313AG3 |               | XXP         | 2.6     | 88.5            | 125 | ✓     |
| 2   | 900  | 213T  | 575     | XP100 | 1MB21212AD113AG3 |               | XXP         | 2.6     | 84.0            | 161 |       |
| 3   | 3600 | 182T  | 575     | XP100 | 1MB21211CA113AG3 |               | XXP         | 3.0     | 86.5            | 88  | ✓     |
| 3   | 1800 | 182T  | 575     | XP100 | 1MB21211CB113AG3 |               | XXP         | 3.2     | 89.5            | 110 | ✓     |
| 3   | 1200 | 213T  | 575     | XP100 | 1MB21212AC113AG3 |               | XXP         | 3.4     | 89.5            | 173 | ✓     |
| 3   | 900  | 215T  | 575     | XP100 | 1MB21212AD213AG3 |               | XXP         | 3.9     | 85.5            | 173 |       |
| 5   | 3600 | 184T  | 575     | XP100 | 1MB21211CA313AG3 |               | XXP         | 4.8     | 88.5            | 105 | ✓     |
| 5   | 1800 | 184T  | 575     | XP100 | 1MB21211CB313AG3 |               | XXP         | 5.1     | 89.5            | 125 | ✓     |
| 5   | 1200 | 215T  | 575     | XP100 | 1MB21212AC213AG3 |               | XXP         | 5.4     | 89.5            | 180 | ✓     |
| 5   | 900  | 254T  | 575     | XP100 | 1MB21212BD113AG3 |               | XXP         | 7.0     | 86.5            | 270 |       |
| 7.5 | 3600 | 213T  | 575     | XP100 | 1MB21212AA113AG3 |               | XXP         | 7.0     | 89.5            | 165 | ✓     |
| 7.5 | 1800 | 213T  | 575     | XP100 | 1MB21212AB113AG3 |               | XXP         | 7.8     | 91.7            | 185 | ✓     |
| 7.5 | 1200 | 254T  | 575     | XP100 | 1MB21212BC113AG3 |               | XXP         | 8.0     | 91.0            | 285 | ✓     |
| 7.5 | 900  | 256T  | 575     | XP100 | 1MB21212BD213AG3 |               | XXP         | 10.5    | 87.5            | 300 |       |
| 10  | 3600 | 215T  | 575     | XP100 | 1MB21212AA213AG3 |               | XXP         | 9.2     | 90.2            | 173 | ✓     |
| 10  | 1800 | 215T  | 575     | XP100 | 1MB21212AB213AG3 |               | XXP         | 10.0    | 91.7            | 187 | ✓     |
| 10  | 1200 | 256T  | 575     | XP100 | 1MB21212BC213AG3 |               | XXP         | 11.0    | 91.0            | 308 | ✓     |
| 10  | 900  | 284T  | 575     | XP100 | 1MB21212CD113AG3 |               | XXP         | 14.0    | 90.2            | 486 |       |
| 15  | 3600 | 254T  | 575     | XP100 | 1MB21212BA113AG3 |               | XXP         | 14.0    | 91.0            | 283 | ✓     |
| 15  | 1800 | 254T  | 575     | XP100 | 1MB21212BB113AG3 |               | XXP         | 15.0    | 92.4            | 303 | ✓     |
| 15  | 1200 | 284T  | 575     | XP100 | 1MB21212CC113AG3 |               | XXP         | 17.0    | 91.7            | 481 | ✓     |
| 15  | 900  | 286T  | 575     | XP100 | 1MB21212CD213AG3 |               | XXP         | 18.5    | 91.0            | 531 |       |
| 20  | 3600 | 256T  | 575     | XP100 | 1MB21212BA213AG3 |               | XXP         | 18.0    | 91.0            | 308 | ✓     |
| 20  | 1800 | 256T  | 575     | XP100 | 1MB21212BB213AG3 |               | XXP         | 20.0    | 93.0            | 340 | ✓     |
| 20  | 1200 | 286T  | 575     | XP100 | 1MB21212CC213AG3 |               | XXP         | 21.5    | 91.7            | 506 | ✓     |
| 20  | 900  | 324T  | 575     | XP100 | 1MB21213AD113AG3 |               | XXP         | 25.0    | 91.0            | 636 |       |
| 25  | 3600 | 284TS | 575     | XP100 | 1MB21212DA113AG3 |               | XXP         | 23.0    | 91.7            | 526 | ✓     |
| 25  | 1800 | 284T  | 575     | XP100 | 1MB21212CB113AG3 |               | XXP         | 24.0    | 93.6            | 501 | ✓     |
| 25  | 1200 | 324T  | 575     | XP100 | 1MB21213AC113AG3 |               | XXP         | 26.0    | 93.0            | 713 | ✓     |
| 25  | 900  | 326T  | 575     | XP100 | 1MB21213AD213AG3 |               | XXP         | 32.0    | 91.0            | 683 |       |
| 30  | 3600 | 286TS | 575     | XP100 | 1MB21212DA213AG3 |               | XXP         | 27.0    | 91.7            | 521 | ✓     |
| 30  | 1800 | 286T  | 575     | XP100 | 1MB21212CB213AG3 |               | XXP         | 28.0    | 93.6            | 521 | ✓     |
| 30  | 1200 | 326T  | 575     | XP100 | 1MB21213AC213AG3 |               | XXP         | 31.0    | 93.0            | 678 | ✓     |
| 30  | 900  | 364T  | 575     | XP100 | 1MB21213CD113AG3 |               | XXP         | 33.0    | 91.7            | 860 |       |

NEMA Premium® is a certification mark of the National Electrical Manufacturers Association.  
QuikMOD Delivery for stocked motors only.

Stock availability subject to change.  
900 RPM Motors meet or exceed EPAct efficiency.  
Prices and Specifications are subject to change without notice.

# SIMOTICS Explosion proof motors

## XP100

## NEMA Premium®

### Class I, Groups C&D, Class II, Groups F&G, Division 1

575V 60Hz, Foot mounted

| HP  | RPM  | Frame               | Voltage | Type  | Part Number      | List Price \$ | Mult. Symb. | FL Amps | FL Nom Eff. (%) | Lbs  | Stock |
|-----|------|---------------------|---------|-------|------------------|---------------|-------------|---------|-----------------|------|-------|
| 40  | 3600 | 324TS               | 575     | XP100 | 1MB21213BA113AG3 |               | XXP         | 36.0    | 93.6            | 606  | ✓     |
| 40  | 1800 | 324T                | 575     | XP100 | 1MB21213AB113AG3 |               | XXP         | 37.0    | 94.1            | 653  | ✓     |
| 40  | 1200 | 364T                | 575     | XP100 | 1MB21213CC113AG3 |               | XXP         | 39.0    | 94.1            | 835  | ✓     |
| 40  | 900  | 365T                | 575     | XP100 | 1MB21213CD213AG3 |               | XXP         | 51.0    | 91.7            | 940  |       |
| 50  | 3600 | 326TS               | 575     | XP100 | 1MB21213BA213AG3 |               | XXP         | 44.0    | 93.6            | 615  | ✓     |
| 50  | 1800 | 326T                | 575     | XP100 | 1MB21213AB213AG3 |               | XXP         | 46.0    | 94.5            | 695  | ✓     |
| 50  | 1200 | 365T                | 575     | XP100 | 1MB21213CC213AG3 |               | XXP         | 50.0    | 94.1            | 870  | ✓     |
| 50  | 900  | 404T                | 575     | XP100 | 1MB21214AD113AG3 |               | XXP         | 54.0    | 92.4            | 1050 |       |
| 60  | 3600 | 364TS               | 575     | XP100 | 1MB21213DA113AG3 |               | XXP         | 54.5    | 93.6            | 790  | ✓     |
| 60  | 1800 | 364T                | 575     | XP100 | 1MB21213CB113AG3 |               | XXP         | 54.5    | 95.0            | 890  | ✓     |
| 60  | 1200 | 404T                | 575     | XP100 | 1MB21214AC113AG3 |               | XXP         | 59.0    | 94.5            | 1055 | ✓     |
| 60  | 900  | 405T                | 575     | XP100 | 1MB21214AD213AG3 |               | XXP         | 63.0    | 92.4            | 1050 |       |
| 75  | 3600 | 365TS               | 575     | XP100 | 1MB21213DA213AG3 |               | XXP         | 86.0    | 94.1            | 900  | ✓     |
| 75  | 1800 | 365T                | 575     | XP100 | 1MB21213CB213AG3 |               | XXP         | 85.0    | 95.4            | 960  | ✓     |
| 75  | 1200 | 405T                | 575     | XP100 | 1MB21214AC213AG3 |               | XXP         | 93.0    | 94.5            | 1025 | ✓     |
| 75  | 900  | 444T                | 575     | XP100 | 1MB21214CD113AG3 |               | XXP         | 94.0    | 93.6            | 1551 |       |
| 100 | 3600 | 405TS               | 575     | XP100 | 1MB21214BA213AG3 |               | XXP         | 87.0    | 94.1            | 1020 | ✓     |
| 100 | 1800 | 405T                | 575     | XP100 | 1MB21214AB213AG3 |               | XXP         | 90.5    | 95.4            | 1115 | ✓     |
| 100 | 1200 | 444T                | 575     | XP100 | 1MB21214CC113AG3 |               | XXP         | 94.0    | 95.0            | 1551 |       |
| 100 | 900  | 445T                | 575     | XP100 | 1MB21214CD213AG3 |               | XXP         | 98.0    | 94.1            | 1770 |       |
| 125 | 3600 | 444TS               | 575     | XP100 | 1MB21214DA113AG3 |               | XXP         | 110.0   | 95.0            | 1450 | ✓     |
| 125 | 1800 | 444TS               | 575     | XP100 | 1MB21214DB113AG3 |               | XXP         | 115.0   | 95.4            | 1596 | ✓     |
| 125 | 1800 | 444T                | 575     | XP100 | 1MB21214CB113AG3 |               | XXP         | 115.0   | 95.4            | 1659 | ✓     |
| 125 | 1200 | 445T                | 575     | XP100 | 1MB21214CC213AG3 |               | XXP         | 115.0   | 95.0            | 1771 |       |
| 125 | 900  | 447T                | 575     | XP100 | 1MB21214CD313AG3 |               | XXP         | 152.0   | 94.1            | 2029 |       |
| 150 | 3600 | 445TS               | 575     | XP100 | 1MB21214DA213AG3 |               | XXP         | 131.0   | 95.0            | 1611 | ✓     |
| 150 | 1800 | 445TS               | 575     | XP100 | 1MB21214DB213AG3 |               | XXP         | 136.0   | 95.8            | 1706 | ✓     |
| 150 | 1800 | 445T                | 575     | XP100 | 1MB21214CB213AG3 |               | XXP         | 136.0   | 95.8            | 1934 | ✓     |
| 150 | 1200 | 447T                | 575     | XP100 | 1MB21214CC313AG3 |               | XXP         | 138.0   | 95.8            | 2029 |       |
| 150 | 900  | 449T                | 575     | XP100 | 1MB21214CD513AG3 |               | XXP         | 144.0   | 94.1            | 2508 |       |
| 200 | 3600 | 447TS               | 575     | XP100 | 1MB21214DA313AG3 |               | XXP         | 173.0   | 95.4            | 2250 | ✓     |
| 200 | 1800 | 447TS               | 575     | XP100 | 1MB21214DB313AG3 |               | XXP         | 182.0   | 96.2            | 2250 | ✓     |
| 200 | 1800 | 447T                | 575     | XP100 | 1MB21214CB313AG3 |               | XXP         | 182.0   | 96.2            | 2314 | ✓     |
| 200 | 1200 | 449T                | 575     | XP100 | 1MB21214CC513AG3 |               | XXP         | 182.0   | 95.8            | 2450 |       |
| 200 | 900  | 449T                | 575     | XP100 | 1MB21214CD613AG3 |               | XXP         | 192.0   | 94.5            | 2450 |       |
| 250 | 3600 | 449TS               | 575     | XP100 | 1MB21214DA513AG3 |               | XXP         | 212.0   | 95.8            | 2300 | ✓     |
| 250 | 1800 | 449TS <sup>2)</sup> | 575     | XP100 | 1MB21214DB513AG3 |               | XXP         | 223.0   | 96.2            | 2453 | ✓     |
| 250 | 1200 | 449TS <sup>2)</sup> | 575     | XP100 | 1MB21214DC613AG3 |               | XXP         | 225.0   | 95.8            | 2400 |       |
| 300 | 3600 | 449TS               | 575     | XP100 | 1MB21214DA613AG3 |               | XXP         | 250.0   | 95.8            | 2300 | ✓     |
| 300 | 1800 | 449TS <sup>2)</sup> | 575     | XP100 | 1MB21214DB613AG3 |               | XXP         | 268.0   | 96.2            | 2315 | ✓     |

NEMA Premium® is a certification mark of the National Electrical Manufacturers Association.  
 QuikMOD Delivery for stocked motors only.  
 Shaded ratings indicated roller bearings.

<sup>2)</sup> NEMA design A  
 Stock availability subject to change.  
 900 RPM Motors meet or exceed EPAct efficiency.  
 Prices and Specifications are subject to change without notice.

# SIMOTICS Explosion proof motors

XP100

Spare Parts

Class I, Groups C&D, Class II, Groups F&G, Division 1

## C-Face Bearing Housing

| Frame          | Motor Type | Part Number       | Description |        | List Price \$ |
|----------------|------------|-------------------|-------------|--------|---------------|
| 140TC          | XP100      | US2:3MSP210051601 | Cast Iron   | C-Face |               |
| 180TC          | XP100      | US2:3MSP211051601 | Cast Iron   | C-Face |               |
| 210TC          | XP100      | US2:3MSP212051601 | Cast Iron   | C-Face |               |
| 250TC          | XP100      | US2:3MSP213051601 | Cast Iron   | C-Face |               |
| 280TC          | XP100      | US2:3MSP710202101 | Cast Iron   | C-Face |               |
| 320TC          | XP100      | US2:3MSP720202101 | Cast Iron   | C-Face |               |
| 360TC          | XP100      | US2:3MSP730202101 | Cast Iron   | C-Face |               |
| 400TC          | XP100      | US2:3MSP740202101 | Cast Iron   | C-Face |               |
| 444TC; 445TC   | XP100      | US2:3MSP750203501 | Cast Iron   | C-Face |               |
| 444TSC; 445TSC | XP100      | US2:3MSP750203401 | Cast Iron   | C-Face |               |

## Bearings

| Frame                      | Motor Type | Part Number | Description |                                | List Price \$ |
|----------------------------|------------|-------------|-------------|--------------------------------|---------------|
| 140T                       | XP100      | 51601983005 | DE/ODE      | Bearing, 6205 ZZ C3 25BC02JPP3 |               |
| 180T                       | XP100      | 51601983006 | DE/ODE      | Bearing, 6206 ZZ C3 30BC02JPP3 |               |
| 210T                       | XP100      | 51601983008 | DE/ODE      | Bearing, 6208 ZZ C3 40BC02JPP3 |               |
| 250T                       | XP100      | 51601984009 | DE/ODE      | Bearing, 6309 ZZ C3 45BC03JPP3 |               |
| 280T                       | XP100      | 51601984010 | DE/ODE      | Bearing, 6310 ZZ C3 50BC03JPP3 |               |
| 320T                       | XP100      | 51601984012 | DE/ODE      | Bearing, 6312 ZZ C3 60BC03JPP3 |               |
| 360T                       | XP100      | 51601984014 | DE/ODE      | Bearing, 6314 ZZ C3 70BC03JPP3 |               |
| 400T                       | XP100      | 51601984016 | DE/ODE      | Bearing, 6316 ZZ C3 80BC03JPP3 |               |
| B440T (TC/TD)              | XP100      | 51601984018 | DE          | Bearing, 6318 ZZ C3 90BC03JPP3 |               |
| 444T, 445T (NU)            | XP100      | 51674954018 | DE          | Bearing, NU 318 C3 90RU03M0    |               |
| 447T, 449T (NU)            | XP100      | 51674954020 | DE          | Bearing, NU 320 C3 100RU03M0   |               |
| 440T (TC/TD);<br>440T (NU) | XP100      | 51601984016 | ODE         | Bearing, 6316 ZZ C3 80BC03JPP3 |               |
| 440TS (TSC/TSD)            | XP100      | 51601984016 | DE/ODE      | Bearing, 6316 ZZ C3 80BC03JPP3 |               |

## Fan Housing

| Frame | Motor Type | Part Number       | Description |                               | List Price \$ |
|-------|------------|-------------------|-------------|-------------------------------|---------------|
| 140T  | XP100      | US2:3MSP211055001 |             | Fan Housing                   |               |
| 180T  | XP100      | US2:3MSP211055001 |             | Fan Housing                   |               |
| 210T  | XP100      | US2:3MSP212055001 |             | Fan Housing                   |               |
| 250T  | XP100      | US2:3MSP213055001 |             | Fan Housing                   |               |
| 280T  | XP100      | US2:3MSP710205601 |             | Fan Housing                   |               |
| 320T  | XP100      | US2:3MSP720205601 |             | Fan Housing                   |               |
| 360T  | XP100      | US2:3MSP730205601 |             | Fan Housing                   |               |
| 360T  | XP100      | US2:3MSP730205901 | Cast Iron   | Grid                          |               |
| 400T  | XP100      | US2:3MSP740205601 |             | Fan Housing                   |               |
| 400T  | XP100      | US2:3MSP730205901 | Cast Iron   | Grid                          |               |
| 440T  | XP100      | 51817031002       | Cast Iron   | Fan housing (Drip Cov. ready) |               |
| 440T  | XP100      | US2:3MSP750205901 | Cast Iron   | Grid                          |               |

# SIMOTICS Explosion proof motors

## XP100

## Spare Parts

### Class I, Groups C&D, Class II, Groups F&G, Division 1

#### Fan Housing

| Frame | Motor Type | Part Number       | Description |                            | List Price \$ |
|-------|------------|-------------------|-------------|----------------------------|---------------|
| 140T  | XP100      | US2:3MSP210055401 | Cast Iron   | Fan housing for Drip Cover |               |
| 180T  | XP100      | US2:3MSP211055401 | Cast Iron   | Fan housing for Drip Cover |               |
| 210T  | XP100      | US2:3MSP212055401 | Cast Iron   | Fan housing for Drip Cover |               |
| 250T  | XP100      | US2:3MSP213055401 | Cast Iron   | Fan housing for Drip Cover |               |
| 280T  | XP100      | US2:3MSP710206301 | Cast Iron   | Fan housing for Drip Cover |               |
| 320T  | XP100      | US2:3MSP720206301 | Cast Iron   | Fan housing for Drip Cover |               |

#### Cooling Fan

| Frame                  | Motor Type | Part Number   | Description         |             | List Price \$ |
|------------------------|------------|---------------|---------------------|-------------|---------------|
| 180T                   | XP100      | 3MSG221079602 | 900                 | Cooling Fan |               |
| 210T                   | XP100      | 3MSG223079603 | 900                 | Cooling Fan |               |
| 250T                   | XP100      | 3MSG223079601 | 900                 | Cooling Fan |               |
| 280T                   | XP100      | 51817700002   | 900                 | Cooling Fan |               |
| 320T                   | XP100      | 51817700001   | 900                 | Cooling Fan |               |
| 360T                   | XP100      | 51816861002   | 900                 | Cooling Fan |               |
| 400T                   | XP100      | 51816861002   | 900                 | Cooling Fan |               |
| 444T, 445T, 447T, 449T | XP100      | 51816861002   | 1200 - 100HP; 150HP | Cooling Fan |               |
| 449T                   | XP100      | 51771077001   | 1200 - 200HP        | Cooling Fan |               |

|                        |       |               |                     |             |  |
|------------------------|-------|---------------|---------------------|-------------|--|
| 140T                   | XP100 | 3MSG221079604 | 1200                | Cooling Fan |  |
| 180T                   | XP100 | 3MSG221079602 | 1200                | Cooling Fan |  |
| 210T                   | XP100 | 3MSG223079603 | 1200                | Cooling Fan |  |
| 250T                   | XP100 | 3MSG223079607 | 1200                | Cooling Fan |  |
| 280T                   | XP100 | 51817700005   | 1200                | Cooling Fan |  |
| 320T                   | XP100 | 51817700003   | 1200                | Cooling Fan |  |
| 360T                   | XP100 | 51816861004   | 1200                | Cooling Fan |  |
| 400T                   | XP100 | 51816861002   | 1200                | Cooling Fan |  |
| 444T, 445T, 447T, 449T | XP100 | 51816861002   | 1200<br>100 - 200HP | Cooling Fan |  |
| 449T                   | XP100 | 51771077001   | 1200 - 250HP        | Cooling Fan |  |

|                  |       |               |                      |             |  |
|------------------|-------|---------------|----------------------|-------------|--|
| 140T             | XP100 | 3MSG221079604 | 1800                 | Cooling Fan |  |
| 180T             | XP100 | 3MSG221079602 | 1800                 | Cooling Fan |  |
| 210T             | XP100 | 3MSG223079607 | 1800                 | Cooling Fan |  |
| 250T             | XP100 | 3MSG223079603 | 1800                 | Cooling Fan |  |
| 280T             | XP100 | 51817700006   | 1800                 | Cooling Fan |  |
| 320T             | XP100 | 51817700005   | 1800                 | Cooling Fan |  |
| 360T             | XP100 | 51816861005   | 1800                 | Cooling Fan |  |
| 400T             | XP100 | 51816861004   | 1800                 | Cooling Fan |  |
| 444T, 445T, 447T | XP100 | 51816861003   | 1800<br>125 - 200HP  | Cooling Fan |  |
| 449T             | XP100 | 51771077001   | 1800<br>250HP; 300HP | Cooling Fan |  |

# SIMOTICS Explosion proof motors

XP100

Spare Parts

Class I, Groups C&D, Class II, Groups F&G, Division 1

## Cooling Fan

| Frame        | Motor Type | Part Number   | Description            |             | List Price \$ |
|--------------|------------|---------------|------------------------|-------------|---------------|
| 140T         | XP100      | 3MSG221079606 | 3600                   | Cooling Fan |               |
| 180T         | XP100      | 3MSG221079604 | 3600                   | Cooling Fan |               |
| 210T         | XP100      | 3MSG223079610 | 3600                   | Cooling Fan |               |
| 250T         | XP100      | 3MSG223079610 | 3600                   | Cooling Fan |               |
| 280TS        | XP100      | 51817700007   | 3600                   | Cooling Fan |               |
| 320TS        | XP100      | 51817700006   | 3600                   | Cooling Fan |               |
| 360T         | XP100      | 51816861005   | 3600                   | Cooling Fan |               |
| 400TS        | XP100      | 51816861005   | 3600                   | Cooling Fan |               |
| 444TS, 445TS | XP100      | 51816861005   | 3600 -125HP<br>& 150HP | Cooling Fan |               |
| 447TS, 449TS | XP100      | 51816861004   | 3600 -200HP<br>& 250HP | Cooling Fan |               |
| 449TS        | XP100      | 51816861003   | 3600- 300HP            | Cooling Fan |               |

## Drip Cover

| Frame | Motor Type | Part Number   | Description |            | List Price \$ |
|-------|------------|---------------|-------------|------------|---------------|
| 140T  | XP100      | 3MSP223080701 | Cast Iron   | Drip Cover |               |
| 180T  | XP100      | 3MSP223080702 | Cast Iron   | Drip Cover |               |
| 210T  | XP100      | 3MSP223080703 | Cast Iron   | Drip Cover |               |
| 250T  | XP100      | 3MSP223080704 | Cast Iron   | Drip Cover |               |
| 280T  | XP100      | 51770675004   | Cast Iron   | Drip Cover |               |
| 320T  | XP100      | 51770675003   | Cast Iron   | Drip Cover |               |
| 360T  | XP100      | 51770675001   | Cast Iron   | Drip Cover |               |
| 400T  | XP100      | 51770675001   | Cast Iron   | Drip Cover |               |
| 440T  | XP100      | 51770675002   | Cast Iron   | Drip Cover |               |

## Main Terminal Box

| Frame                     | Motor Type | Part Number       | Description |             | List Price \$ |
|---------------------------|------------|-------------------|-------------|-------------|---------------|
| 140T                      | XP100      | US2:3MSG211054301 | Cast Iron   | Conduit Box |               |
| 180T                      | XP100      | US2:3MSG211054301 | Cast Iron   | Conduit Box |               |
| 210T                      | XP100      | US2:3MSG212054301 | Cast Iron   | Conduit Box |               |
| 250T                      | XP100      | US2:3MSG212054304 | Cast Iron   | Conduit Box |               |
| 280T                      | XP100      | US2:3MSG212054307 | Cast Iron   | Conduit Box |               |
| 320T                      | XP100      | US2:3MSG720204901 | Cast Iron   | Conduit Box |               |
| 360T                      | XP100      | US2:3MSG720204904 | Cast Iron   | Conduit Box |               |
| 400T; 444T;<br>445T; 447T | XP100      | US2:3MSG740204901 | Cast Iron   | Conduit Box |               |
| 449T                      | XP100      | US2:3MSG750205301 | Cast Iron   | Conduit Box |               |

# SIMOTICS Explosion proof motors

## XP100 ID1

XP100 ID1 explosion-proof motors are designed to meet demanding standards of performance and provide long life under oil field operating conditions. They are UL® listed and CSA certified for Class I, Division 1, Group D and Class I, Zone 1, Group IIA hazardous locations and meet the requirements of IP55 for enclosure protection.



|                          |  |   |
|--------------------------|--|---|
| HP range                 | Frame Size   | <b>1-300 HP</b><br>143T-449T  |
| Efficiency               | NEMA Premium® Plus<br>NEMA Premium®  | 143T-449T   |
| Voltage 1)               | 208-230 / 460 V<br>230 / 460 V<br>460 V<br>575 V   | <b>3 phase 60Hz</b><br>1-20HP<br>10-100HP<br>125-300HP<br>1-300HP   |
| Insulation               | Insulation Class F<br>Service Factor @ 40°C<br>Temperature rise (Sine wave)  | <b>NEMA design B 2)</b><br>NEMA MG1 Part 31<br>1.15<br>Class B @ 1.0SF<br>Class F @ 1.15SF                                      |
| Frame                    | 8 hole feet<br>Condensation drains<br>High strength carbon steel Shaft<br>V ring slinger – IP65<br>Inpro/Seal® Bearing Isolator - IP66 | <b>Cast iron</b><br>Casted<br>284-449T<br>C1045<br>DE & NDE<br>available upon request<br>UL Approved                            |
| Stator/Windings rotor    | Stator<br>Rotor, die cast aluminum   | Random wound copper<br>143T-449T  |
| Conduit box              | Cast iron<br>Seal leads  | 143T-449T<br>143T-449T  |
| Bearings                 | Double shielded<br>Bearing housing<br>Inlet / relief fittings  | 143T-449T<br>Cast iron<br>Alemite / plug<br>Bearing caps  |
| Fan and fan cover        | Cast iron<br>Bidirectional fan   | 143T-449T<br>143T-449T<br>Polypropylene   |
| Hardware                 | Nameplate<br>Lifting eyebolt<br>Paint  | <b>Rust resistant</b> Zinc plated grade 5 only<br>Stainless steel engraved<br>Included above 75 lbs.<br>Alkyd Modified -RAL7030 |
| Inverter duty            | Variable torque 100:1<br>Constant torque 4:1   | 143T-449T<br>143T-449T  |
| Hazardous classification | Service factor 1.0<br>Service factor 1.15  | UL - 143T-449T (up to 55°C)<br>Class I, Group D Division 1<br>T2A - temperature code<br>3) T2D - temperature code               |

NEMA Premium® is a certification mark of the National Electrical Manufacturers Association.

1) Standard voltage for stock items, see option selection and pricing section for additional voltages.

2) NEMA design A: 250HP and 300HP, 4 and 6 pole.

3) Available on request.

# SIMOTICS Explosion proof motors

XP100 ID1

NEMA Premium®  
Class 1, Group D, Division 1

460V 60Hz - Foot mounted

| HP  | RPM  | Frame | Voltage     | Type      | Part Number      | List Price \$ | Mult. Symb. | FL Amps | FL Nom Eff. (%) | Lbs | Stock |
|-----|------|-------|-------------|-----------|------------------|---------------|-------------|---------|-----------------|-----|-------|
| 1   | 1800 | 143T  | 208-230/460 | XP100 ID1 | 1MB22211AB214AA3 |               | DXP         | 1.4     | 85.5            | 77  | ✓     |
| 1   | 1200 | 145T  | 208-230/460 | XP100 ID1 | 1MB22211AC314AA3 |               | DXP         | 1.6     | 82.5            | 88  | ✓     |
| 1.5 | 3600 | 143T  | 208-230/460 | XP100 ID1 | 1MB22211AA214AA3 |               | DXP         | 2.0     | 84.0            | 55  |       |
| 1.5 | 1800 | 145T  | 208-230/460 | XP100 ID1 | 1MB22211AB314AA3 |               | DXP         | 2.1     | 86.5            | 88  | ✓     |
| 1.5 | 1200 | 182T  | 208-230/460 | XP100 ID1 | 1MB22211CC114AA3 |               | DXP         | 2.4     | 87.5            | 105 | ✓     |
| 2   | 3600 | 145T  | 208-230/460 | XP100 ID1 | 1MB22211AA314AA3 |               | DXP         | 2.5     | 85.5            | 65  | ✓     |
| 2   | 1800 | 145T  | 208-230/460 | XP100 ID1 | 1MB22211AB414AA3 |               | DXP         | 2.7     | 86.5            | 88  | ✓     |
| 2   | 1200 | 184T  | 208-230/460 | XP100 ID1 | 1MB22211CC314AA3 |               | DXP         | 3.2     | 88.5            | 125 | ✓     |
| 3   | 3600 | 182T  | 208-230/460 | XP100 ID1 | 1MB22211CA114AA3 |               | DXP         | 3.8     | 86.5            | 88  | ✓     |
| 3   | 1800 | 182T  | 208-230/460 | XP100 ID1 | 1MB22211CB114AA3 |               | DXP         | 4.0     | 89.5            | 110 | ✓     |
| 3   | 1200 | 213T  | 208-230/460 | XP100 ID1 | 1MB22212AC114AA3 |               | DXP         | 4.3     | 89.5            | 173 | ✓     |
| 5   | 3600 | 184T  | 208-230/460 | XP100 ID1 | 1MB22211CA314AA3 |               | DXP         | 6.0     | 88.5            | 105 | ✓     |
| 5   | 1800 | 184T  | 208-230/460 | XP100 ID1 | 1MB22211CB314AA3 |               | DXP         | 6.4     | 89.5            | 125 | ✓     |
| 5   | 1200 | 215T  | 208-230/460 | XP100 ID1 | 1MB22212AC214AA3 |               | DXP         | 6.7     | 89.5            | 180 | ✓     |
| 7.5 | 3600 | 213T  | 208-230/460 | XP100 ID1 | 1MB22212AA114AA3 |               | DXP         | 8.8     | 89.5            | 165 | ✓     |
| 7.5 | 1800 | 213T  | 208-230/460 | XP100 ID1 | 1MB22212AB114AA3 |               | DXP         | 9.7     | 91.7            | 185 | ✓     |
| 7.5 | 1200 | 254T  | 208-230/460 | XP100 ID1 | 1MB22212BC114AA3 |               | DXP         | 10.0    | 91.0            | 285 | ✓     |
| 10  | 3600 | 215T  | 208-230/460 | XP100 ID1 | 1MB22212AA214AA3 |               | DXP         | 11.5    | 90.2            | 173 | ✓     |
| 10  | 1800 | 215T  | 208-230/460 | XP100 ID1 | 1MB22212AB214AA3 |               | DXP         | 12.5    | 91.7            | 187 | ✓     |
| 10  | 1200 | 256T  | 208-230/460 | XP100 ID1 | 1MB22212BC214AA3 |               | DXP         | 13.5    | 91.0            | 308 | ✓     |
| 15  | 3600 | 254T  | 208-230/460 | XP100 ID1 | 1MB22212BA114AA3 |               | DXP         | 17.5    | 91.0            | 283 | ✓     |
| 15  | 1800 | 254T  | 208-230/460 | XP100 ID1 | 1MB22212BB114AA3 |               | DXP         | 19.0    | 92.4            | 303 | ✓     |
| 15  | 1200 | 284T  | 230/460     | XP100 ID1 | 1MB22212CC116AA3 |               | DXP         | 21.0    | 91.7            | 481 | ✓     |
| 20  | 3600 | 256T  | 208-230/460 | XP100 ID1 | 1MB22212BA214AA3 |               | DXP         | 22.5    | 91.0            | 308 | ✓     |
| 20  | 1800 | 256T  | 208-230/460 | XP100 ID1 | 1MB22212BB214AA3 |               | DXP         | 25.0    | 93.0            | 340 | ✓     |
| 20  | 1200 | 286T  | 230/460     | XP100 ID1 | 1MB22212CC216AA3 |               | DXP         | 27.0    | 91.7            | 506 | ✓     |
| 25  | 3600 | 284TS | 230/460     | XP100 ID1 | 1MB22212DA116AA3 |               | DXP         | 29.0    | 91.7            | 530 | ✓     |
| 25  | 1800 | 284T  | 230/460     | XP100 ID1 | 1MB22212CB116AA3 |               | DXP         | 30.0    | 93.6            | 501 | ✓     |
| 25  | 1200 | 324T  | 230/460     | XP100 ID1 | 1MB22213AC116AA3 |               | DXP         | 33.0    | 93.0            | 713 | ✓     |

NEMA Premium® is a certification mark of the National Electrical Manufacturers Association.  
QuikMOD Delivery for stocked motors only.

Stock availability subject to change.  
Prices and Specifications are subject to change without notice.  
DOE#CC032A



# SIMOTICS Explosion proof motors

## XP100 ID1

## NEMA Premium® Class 1, Group D, Division 1

### 460V 60Hz - Foot mounted

| HP  | RPM  | Frame              | Voltage | Type      | Part Number      | List Price \$ | Mult. Symb. | FL Amps | FL Nom Eff. (%) | Lbs  | Stock |
|-----|------|--------------------|---------|-----------|------------------|---------------|-------------|---------|-----------------|------|-------|
| 30  | 3600 | 286TS              | 230/460 | XP100 ID1 | 1MB22212DA216AA3 |               | DXP         | 34.0    | 91.7            | 525  | ✓     |
| 30  | 1800 | 286T               | 230/460 | XP100 ID1 | 1MB22212CB216AA3 |               | DXP         | 35.0    | 93.6            | 521  | ✓     |
| 30  | 1200 | 326T               | 230/460 | XP100 ID1 | 1MB22213AC216AA3 |               | DXP         | 39.0    | 93.0            | 678  | ✓     |
| 40  | 3600 | 324TS              | 230/460 | XP100 ID1 | 1MB22213BA116AA3 |               | DXP         | 45.0    | 93.6            | 615  | ✓     |
| 40  | 1800 | 324T               | 230/460 | XP100 ID1 | 1MB22213AB116AA3 |               | DXP         | 46.0    | 94.1            | 653  | ✓     |
| 40  | 1200 | 364T               | 230/460 | XP100 ID1 | 1MB22213CC116AA3 |               | DXP         | 49.0    | 94.1            | 835  | ✓     |
| 50  | 3600 | 326TS              | 230/460 | XP100 ID1 | 1MB22213BA216AA3 |               | DXP         | 55.0    | 93.6            | 615  | ✓     |
| 50  | 1800 | 326T               | 230/460 | XP100 ID1 | 1MB22213AB216AA3 |               | DXP         | 58.0    | 94.5            | 687  | ✓     |
| 50  | 1200 | 365T               | 230/460 | XP100 ID1 | 1MB22213CC216AA3 |               | DXP         | 62.0    | 94.1            | 870  | ✓     |
| 60  | 3600 | 364TS              | 230/460 | XP100 ID1 | 1MB22213DA116AA3 |               | DXP         | 68.0    | 93.6            | 790  | ✓     |
| 60  | 1800 | 364T               | 230/460 | XP100 ID1 | 1MB22213CB116AA3 |               | DXP         | 68.0    | 95.0            | 890  | ✓     |
| 60  | 1200 | 404T               | 230/460 | XP100 ID1 | 1MB22214AC116AA3 |               | DXP         | 74.0    | 94.5            | 1055 | ✓     |
| 75  | 3600 | 365TS              | 230/460 | XP100 ID1 | 1MB22213DA216AA3 |               | DXP         | 86.0    | 94.1            | 900  | ✓     |
| 75  | 1800 | 365T               | 230/460 | XP100 ID1 | 1MB22213CB216AA3 |               | DXP         | 85.0    | 95.4            | 960  | ✓     |
| 75  | 1200 | 405T               | 230/460 | XP100 ID1 | 1MB22214AC216AA3 |               | DXP         | 93.0    | 94.5            | 1025 | ✓     |
| 100 | 3600 | 405TS              | 230/460 | XP100 ID1 | 1MB22214BA216AA3 |               | DXP         | 108.0   | 94.1            | 1020 | ✓     |
| 100 | 1800 | 405T               | 230/460 | XP100 ID1 | 1MB22214AB216AA3 |               | DXP         | 113.0   | 95.4            | 1115 | ✓     |
| 100 | 1200 | 444T               | 230/460 | XP100 ID1 | 1MB22214CC116AA3 |               | DXP         | 117.0   | 95.0            | 1551 | ✓     |
| 100 | 1200 | 444T               | 230/460 | XP100 ID1 | 1MB22214EC116AA3 |               | DXP         | 117.0   | 95.0            | 1513 | ✓     |
| 125 | 3600 | 444TS              | 460     | XP100 ID1 | 1MB22214DA112AA3 |               | DXP         | 138.0   | 95.0            | 1450 | ✓     |
| 125 | 1800 | 444T               | 460     | XP100 ID1 | 1MB22214CB112AA3 |               | DXP         | 143.0   | 95.4            | 1659 | ✓     |
| 125 | 1800 | 444T               | 460     | XP100 ID1 | 1MB22214EB112AA3 |               | DXP         | 143.0   | 95.4            | 1621 | ✓     |
| 125 | 1200 | 445T               | 460     | XP100 ID1 | 1MB22214CC212AA3 |               | DXP         | 144.0   | 95.0            | 1771 | ✓     |
| 125 | 1200 | 445T               | 460     | XP100 ID1 | 1MB22214EC212AA3 |               | DXP         | 144.0   | 95.0            | 1733 | ✓     |
| 150 | 3600 | 445TS              | 460     | XP100 ID1 | 1MB22214DA212AA3 |               | DXP         | 164.0   | 95.0            | 1611 | ✓     |
| 150 | 1800 | 445T               | 460     | XP100 ID1 | 1MB22214CB212AA3 |               | DXP         | 170.0   | 95.8            | 1934 | ✓     |
| 150 | 1800 | 445T               | 460     | XP100 ID1 | 1MB22214EB212AA3 |               | DXP         | 170.0   | 95.8            | 1896 | ✓     |
| 150 | 1200 | 447T               | 460     | XP100 ID1 | 1MB22214CC312AA3 |               | DXP         | 172.0   | 95.8            | 2029 | ✓     |
| 150 | 1200 | 447T               | 460     | XP100 ID1 | 1MB22214EC312AA3 |               | DXP         | 172.0   | 95.8            | 1991 | ✓     |
| 200 | 3600 | 447TS              | 460     | XP100 ID1 | 1MB22214DA312AA3 |               | DXP         | 216.0   | 95.4            | 2250 | ✓     |
| 200 | 1800 | 447T               | 460     | XP100 ID1 | 1MB22214CB312AA3 |               | DXP         | 228.0   | 96.2            | 2314 | ✓     |
| 200 | 1800 | 447T               | 460     | XP100 ID1 | 1MB22214EB312AA3 |               | DXP         | 228.0   | 96.2            | 2276 | ✓     |
| 200 | 1200 | 449T               | 460     | XP100 ID1 | 1MB22214CC512AA3 |               | DXP         | 227.0   | 95.8            | 2450 | ✓     |
| 200 | 1200 | 449T               | 460     | XP100 ID1 | 1MB22214EC512AA3 |               | DXP         | 227.0   | 95.8            | 2440 | ✓     |
| 250 | 3600 | 449TS              | 460     | XP100 ID1 | 1MB22214DA512AA3 |               | DXP         | 265.0   | 95.8            | 2300 | ✓     |
| 250 | 1800 | 449T <sup>1)</sup> | 460     | XP100 ID1 | 1MB22214CB512AA3 |               | DXP         | 278.0   | 96.2            | 2453 | ✓     |
| 250 | 1800 | 449T <sup>1)</sup> | 460     | XP100 ID1 | 1MB22214EB512AA3 |               | DXP         | 278.0   | 96.2            | 2453 | ✓     |
| 300 | 3600 | 449TS              | 460     | XP100 ID1 | 1MB22214DA612AA3 |               | DXP         | 325.0   | 95.8            | 2300 | ✓     |
| 300 | 1800 | 449T <sup>1)</sup> | 460     | XP100 ID1 | 1MB22214CB612AA3 |               | DXP         | 338.0   | 96.2            | 2350 | ✓     |
| 300 | 1800 | 449T <sup>1)</sup> | 460     | XP100 ID1 | 1MB22214EB612AA3 |               | DXP         | 338.0   | 96.2            | 2340 | ✓     |

NEMA Premium® is a certification mark of the National Electrical Manufacturers Association.  
 QuikMOD Delivery for stocked motors only.  
 Shaded ratings indicated roller bearings.

Stock availability subject to change.  
 Prices and Specifications are subject to change without notice.  
 DOE#CC032A

# SIMOTICS Explosion proof motors

XP100 ID1

NEMA Premium®

Class 1, Group D, Division 1

460V 60Hz - C-face footless without drip cover

| HP  | RPM  | Frame | Voltage | Type      | Part Number      | List Price \$ | Mult. Symb. | FL Amps | FL Nom Eff. (%) | Lbs | Stock |
|-----|------|-------|---------|-----------|------------------|---------------|-------------|---------|-----------------|-----|-------|
| 1   | 1800 | 143TC | 230/460 | XP100 ID1 | 1MB22211AB216GA3 |               | DXP         | 1.4     | 85.5            | 82  | ✓     |
| 1.5 | 1800 | 145TC | 230/460 | XP100 ID1 | 1MB22211AB316GA3 |               | DXP         | 2.1     | 86.5            | 93  | ✓     |
| 2   | 1800 | 145TC | 230/460 | XP100 ID1 | 1MB22211AB416GA3 |               | DXP         | 2.7     | 86.5            | 93  | ✓     |
| 3   | 1800 | 182TC | 230/460 | XP100 ID1 | 1MB22211CB116GA3 |               | DXP         | 4.0     | 89.5            | 109 | ✓     |
| 5   | 1800 | 184TC | 230/460 | XP100 ID1 | 1MB22211CB316GA3 |               | DXP         | 6.4     | 89.5            | 124 | ✓     |
| 7.5 | 1800 | 213TC | 230/460 | XP100 ID1 | 1MB22212AB116GA3 |               | DXP         | 9.7     | 91.7            | 183 | ✓     |
| 10  | 1800 | 215TC | 230/460 | XP100 ID1 | 1MB22212AB216GA3 |               | DXP         | 12.5    | 91.7            | 185 | ✓     |
| 15  | 1800 | 254TC | 230/460 | XP100 ID1 | 1MB22212BB116GA3 |               | DXP         | 19.0    | 92.4            | 301 | ✓     |
| 20  | 1800 | 256TC | 230/460 | XP100 ID1 | 1MB22212BB216GA3 |               | DXP         | 25.0    | 93.0            | 338 | ✓     |
| 25  | 1800 | 284TC | 230/460 | XP100 ID1 | 1MB22212CB116GA3 |               | DXP         | 30.0    | 93.6            | 504 | ✓     |
| 30  | 1800 | 286TC | 230/460 | XP100 ID1 | 1MB22212CB216GA3 |               | DXP         | 35.0    | 93.6            | 524 | ✓     |



NEMA Premium® is a certification mark of the National Electrical Manufacturers Association.  
QuikMOD Delivery for stocked motors only.  
Shaded ratings indicated roller bearings.

1) NEMA Design A  
Stock availability subject to change.  
Prices and Specifications are subject to change without notice.  
DOE#CC032A

# SIMOTICS Explosion proof motors

## XP100 ID1

## NEMA Premium®

## Class 1, Group D, Division 1

575V 60Hz - Foot mounted

| HP  | RPM  | Frame | Voltage | Type      | Part Number      | List Price \$ | Mult. Symb. | FL Amps | FL Nom Eff. (%) | Lbs  | Stock |
|-----|------|-------|---------|-----------|------------------|---------------|-------------|---------|-----------------|------|-------|
| 2   | 1800 | 145T  | 575     | XP100 ID1 | 1MB22211AB413AA3 |               | DXP         | 2.2     | 86.5            | 88   | ✓     |
| 3   | 1800 | 182T  | 575     | XP100 ID1 | 1MB22211CB113AA3 |               | DXP         | 3.2     | 89.5            | 110  | ✓     |
| 5   | 1800 | 184T  | 575     | XP100 ID1 | 1MB22211CB313AA3 |               | DXP         | 5.1     | 89.5            | 125  | ✓     |
| 7.5 | 1800 | 213T  | 575     | XP100 ID1 | 1MB22212AB113AA3 |               | DXP         | 7.8     | 91.7            | 185  | ✓     |
| 10  | 1800 | 215T  | 575     | XP100 ID1 | 1MB22212AB213AA3 |               | DXP         | 10.0    | 91.7            | 187  | ✓     |
| 15  | 1800 | 254T  | 575     | XP100 ID1 | 1MB22212BB113AA3 |               | DXP         | 15.0    | 92.4            | 303  | ✓     |
| 20  | 1800 | 256T  | 575     | XP100 ID1 | 1MB22212BB213AA3 |               | DXP         | 20.0    | 93.0            | 340  | ✓     |
| 25  | 1800 | 284T  | 575     | XP100 ID1 | 1MB22212CB113AA3 |               | DXP         | 24.0    | 93.6            | 501  | ✓     |
| 30  | 1800 | 286T  | 575     | XP100 ID1 | 1MB22212CB213AA3 |               | DXP         | 28.0    | 93.6            | 521  | ✓     |
| 40  | 1800 | 324T  | 575     | XP100 ID1 | 1MB22213AB113AA3 |               | DXP         | 37.0    | 94.1            | 653  | ✓     |
| 50  | 1800 | 326T  | 575     | XP100 ID1 | 1MB22213AB213AA3 |               | DXP         | 46.0    | 94.5            | 687  | ✓     |
| 60  | 1800 | 364T  | 575     | XP100 ID1 | 1MB22213CB113AA3 |               | DXP         | 54.5    | 95.0            | 890  | ✓     |
| 75  | 1800 | 365T  | 575     | XP100 ID1 | 1MB22213CB213AA3 |               | DXP         | 85.0    | 95.4            | 960  | ✓     |
| 100 | 1800 | 405T  | 575     | XP100 ID1 | 1MB22214AB213AA3 |               | DXP         | 90.5    | 95.4            | 1115 | ✓     |
| 125 | 1800 | 444T  | 575     | XP100 ID1 | 1MB22214CB113AA3 |               | DXP         | 115.0   | 95.4            | 1659 | ✓     |
| 125 | 1800 | 444T  | 575     | XP100 ID1 | 1MB22214EB113AA3 |               | DXP         | 115.0   | 95.4            | 1621 | ✓     |
| 150 | 1800 | 445T  | 575     | XP100 ID1 | 1MB22214CB213AA3 |               | DXP         | 136.0   | 95.8            | 1934 | ✓     |
| 150 | 1800 | 445T  | 575     | XP100 ID1 | 1MB22214EB213AA3 |               | DXP         | 136.0   | 95.8            | 1896 | ✓     |

آتور صنعت  
**ATOORSANAT**

NEMA Premium® is a certification mark of the National Electrical Manufacturers Association.  
 QuikMOD Delivery for stocked motors only.  
 Shaded ratings indicated roller bearings.

Stock availability subject to change.  
 Prices and Specifications are subject to change without notice.  
 DOE#CC032A

# SIMOTICS Explosion proof motors

## XP100 ID1

## Spare Parts Class 1, Group D, Division 1

### C-Face Bearing Housing

| Frame          | Motor Type | Part Number       | Description  |             | List Price \$ |
|----------------|------------|-------------------|--------------|-------------|---------------|
| 140TC          | XP100 ID1  | US2:3MSP210051601 | Cast Iron    | C-Face      |               |
| 180TC          | XP100 ID1  | US2:3MSP211051601 | Cast Iron    | C-Face      |               |
| 210TC          | XP100 ID1  | US2:3MSP212051601 | Cast Iron    | C-Face      |               |
| 250TC          | XP100 ID1  | US2:3MSP213051601 | Cast Iron    | C-Face      |               |
| 280TC          | XP100 ID1  | US2:3MSP710202101 | Cast Iron    | C-Face      |               |
| 320TC          | XP100 ID1  | US2:3MSP720202101 | Cast Iron    | C-Face      |               |
| 360TC          | XP100 ID1  | US2:3MSP730202101 | Cast Iron    | C-Face      |               |
| 400TC          | XP100 ID1  | US2:3MSP740202101 | Cast Iron    | C-Face      |               |
| 444TC; 445TC   | XP100 ID1  | US2:3MSP750203501 | Cast Iron    | C-Face      |               |
| 444TSC; 445TSC | XP100 ID1  | US2:3MSP750203401 | Cast Iron    | C-Face      |               |
| 449TS          | XP100      | 51816861003       | 3600 - 300HP | Cooling Fan |               |

### Bearings

| Frame                      | Motor Type | Part Number | Description |                                | List Price \$ |
|----------------------------|------------|-------------|-------------|--------------------------------|---------------|
| 140T                       | XP100 ID1  | 51601983005 | DE/ODE      | Bearing, 6205 ZZ C3 25BC02JPP3 |               |
| 180T                       | XP100 ID1  | 51601983006 | DE/ODE      | Bearing, 6206 ZZ C3 30BC02JPP3 |               |
| 210T                       | XP100 ID1  | 51601983008 | DE/ODE      | Bearing, 6208 ZZ C3 40BC02JPP3 |               |
| 250T                       | XP100 ID1  | 51601984009 | DE/ODE      | Bearing, 6309 ZZ C3 45BC03JPP3 |               |
| 280T                       | XP100 ID1  | 51601984010 | DE/ODE      | Bearing, 6310 ZZ C3 50BC03JPP3 |               |
| 320T                       | XP100 ID1  | 51601984012 | DE/ODE      | Bearing, 6312 ZZ C3 60BC03JPP3 |               |
| 360T                       | XP100 ID1  | 51601984014 | DE/ODE      | Bearing, 6314 ZZ C3 70BC03JPP3 |               |
| 400T                       | XP100 ID1  | 51601984016 | DE/ODE      | Bearing, 6316 ZZ C3 80BC03JPP3 |               |
| B440T (TC/TD)              | XP100 ID1  | 51601984018 | DE          | Bearing, 6318 ZZ C3 90BC03JPP3 |               |
| 444T, 445T (NU)            | XP100 ID1  | 51674954018 | DE.         | Bearing, NU 318 C3 90RU03M0    |               |
| 447T, 449T (NU)            | XP100 ID1  | 51674954020 | DE.         | Bearing, NU 320 C3 100RU03M0   |               |
| 440T (TC/TD);<br>440T (NU) | XP100 ID1  | 51601984016 | ODE.        | Bearing, 6316 ZZ C3 80BC03JPP3 |               |
| 440TS (TSC/TSD)            | XP100 ID1  | 51601984016 | DE/ODE.     | Bearing, 6316 ZZ C3 80BC03JPP3 |               |

### Fan Housing

| Frame | Motor Type | Part Number       | Description |                               | List Price \$ |
|-------|------------|-------------------|-------------|-------------------------------|---------------|
| 140T  | XP100 ID1  | US2:3MSP211055001 |             | Fan Housing                   |               |
| 180T  | XP100 ID1  | US2:3MSP211055001 |             | Fan Housing                   |               |
| 210T  | XP100 ID1  | US2:3MSP212055001 |             | Fan Housing                   |               |
| 250T  | XP100 ID1  | US2:3MSP213055001 |             | Fan Housing                   |               |
| 280T  | XP100 ID1  | US2:3MSP710205601 |             | Fan Housing                   |               |
| 320T  | XP100 ID1  | US2:3MSP720205601 |             | Fan Housing                   |               |
| 360T  | XP100 ID1  | US2:3MSP730205601 |             | Fan Housing                   |               |
| 360T  | XP100 ID1  | US2:3MSP730205901 | Cast Iron   | Grid                          |               |
| 400T  | XP100 ID1  | US2:3MSP740205601 |             | Fan Housing                   |               |
| 400T  | XP100 ID1  | US2:3MSP730205901 | Cast Iron   | Grid                          |               |
| 440T  | XP100 ID1  | 51817031002       | Cast Iron   | Fan housing (Drip Cov. ready) |               |
| 440T  | XP100 ID1  | US2:3MSP750205901 | Cast Iron   | Grid                          |               |

# SIMOTICS Explosion proof motors

## XP100 ID1

## Spare Parts Class 1, Group D, Division 1

### Fan Housing

| Frame | Motor Type | Part Number       | Description |                            | List Price \$ |
|-------|------------|-------------------|-------------|----------------------------|---------------|
| 140T  | XP100 ID1  | US2:3MSP210055401 | Cast Iron   | Fan housing for Drip Cover |               |
| 180T  | XP100 ID1  | US2:3MSP211055401 | Cast Iron   | Fan housing for Drip Cover |               |
| 210T  | XP100 ID1  | US2:3MSP212055401 | Cast Iron   | Fan housing for Drip Cover |               |
| 250T  | XP100 ID1  | US2:3MSP213055401 | Cast Iron   | Fan housing for Drip Cover |               |
| 280T  | XP100 ID1  | US2:3MSP710206301 | Cast Iron   | Fan housing for Drip Cover |               |
| 320T  | XP100 ID1  | US2:3MSP720206301 | Cast Iron   | Fan housing for Drip Cover |               |

### Cooling Fan

| Frame                     | Motor Type | Part Number   | Description              |             | List Price \$ |
|---------------------------|------------|---------------|--------------------------|-------------|---------------|
| 180T                      | XP100 ID1  | 3MSG221079602 | 900                      | Cooling Fan |               |
| 210T                      | XP100 ID1  | 3MSG223079603 | 900                      | Cooling Fan |               |
| 250T                      | XP100 ID1  | 3MSG223079601 | 900                      | Cooling Fan |               |
| 280T                      | XP100 ID1  | 51817700002   | 900                      | Cooling Fan |               |
| 320T                      | XP100 ID1  | 51817700001   | 900                      | Cooling Fan |               |
| 360T                      | XP100 ID1  | 51816861002   | 900                      | Cooling Fan |               |
| 400T                      | XP100 ID1  | 51816861002   | 900                      | Cooling Fan |               |
| 444T, 445T,<br>447T, 449T | XP100 ID1  | 51816861002   | 1200 - 100HP<br>to 150HP | Cooling Fan |               |
| 449T                      | XP100 ID1  | 51771077001   | 1200 - 200HP             | Cooling Fan |               |
| 140T                      | XP100 ID1  | 3MSG221079604 | 1200                     | Cooling Fan |               |
| 180T                      | XP100 ID1  | 3MSG221079602 | 1200                     | Cooling Fan |               |
| 210T                      | XP100 ID1  | 3MSG223079603 | 1200                     | Cooling Fan |               |
| 250T                      | XP100 ID1  | 3MSG223079607 | 1200                     | Cooling Fan |               |
| 280T                      | XP100 ID1  | 51817700005   | 1200                     | Cooling Fan |               |
| 320T                      | XP100 ID1  | 51817700003   | 1200                     | Cooling Fan |               |
| 360T                      | XP100 ID1  | 51816861004   | 1200                     | Cooling Fan |               |
| 400T                      | XP100 ID1  | 51816861002   | 1200                     | Cooling Fan |               |
| 444T, 445T,<br>447T, 449T | XP100 ID1  | 51816861002   | 1200 - 100HP<br>to 200HP | Cooling Fan |               |
| 449T                      | XP100 ID1  | 51771077001   | 1200 - 250HP             | Cooling Fan |               |
| 140T                      | XP100 ID1  | 3MSG221079604 | 1800                     | Cooling Fan |               |
| 180T                      | XP100 ID1  | 3MSG221079602 | 1800                     | Cooling Fan |               |
| 210T                      | XP100 ID1  | 3MSG223079607 | 1800                     | Cooling Fan |               |
| 250T                      | XP100 ID1  | 3MSG223079603 | 1800                     | Cooling Fan |               |
| 280T                      | XP100 ID1  | 51817700006   | 1800                     | Cooling Fan |               |
| 320T                      | XP100 ID1  | 51817700005   | 1800                     | Cooling Fan |               |
| 360T                      | XP100 ID1  | 51816861005   | 1800                     | Cooling Fan |               |
| 400T                      | XP100 ID1  | 51816861004   | 1800                     | Cooling Fan |               |
| 444T, 445T, 447T          | XP100 ID1  | 51816861003   | 1800 125HP<br>to 200HP   | Cooling Fan |               |
| 449T                      | XP100 ID1  | 51771077001   | 1800- 250HP<br>& 300HP   | Cooling Fan |               |

Introduction

General Purpose Motors

Severe Duty Motors

Hazardous Duty Motors

Definite Purpose Motors

Special Features Detail

Options Selection and Pricing

Typical Performance Data

General Dimensions

Part Number Index

# SIMOTICS Explosion proof motors

XP100 ID1

Spare Parts  
Class 1, Group D, Division 1

## Cooling Fan

| Frame        | Motor Type | Part Number   | Description            |             | List Price \$ |
|--------------|------------|---------------|------------------------|-------------|---------------|
| 140T         | XP100 ID1  | 3MSG221079606 | 3600                   | Cooling Fan |               |
| 180T         | XP100 ID1  | 3MSG221079604 | 3600                   | Cooling Fan |               |
| 210T         | XP100 ID1  | 3MSG223079610 | 3600                   | Cooling Fan |               |
| 250T         | XP100 ID1  | 3MSG223079610 | 3600                   | Cooling Fan |               |
| 280TS        | XP100 ID1  | 51817700007   | 3600                   | Cooling Fan |               |
| 320TS        | XP100 ID1  | 51817700006   | 3600                   | Cooling Fan |               |
| 360T         | XP100 ID1  | 51816861005   | 3600                   | Cooling Fan |               |
| 400TS        | XP100 ID1  | 51816861005   | 3600                   | Cooling Fan |               |
| 444TS, 445TS | XP100 ID1  | 51816861005   | 3600 -125HP<br>& 150HP | Cooling Fan |               |
| 447TS, 449TS | XP100 ID1  | 51816861004   | 3600 -200HP<br>& 250HP | Cooling Fan |               |
| 449TS        | XP100 ID1  | 51816861003   | 3600- 300HP            | Cooling Fan |               |

## Drip Cover

| Frame | Motor Type | Part Number   | Description |            | List Price \$ |
|-------|------------|---------------|-------------|------------|---------------|
| 140T  | XP100 ID1  | 3MSP223080701 | Cast Iron   | Drip Cover |               |
| 180T  | XP100 ID1  | 3MSP223080702 | Cast Iron   | Drip Cover |               |
| 210T  | XP100 ID1  | 3MSP223080703 | Cast Iron   | Drip Cover |               |
| 250T  | XP100 ID1  | 3MSP223080704 | Cast Iron   | Drip Cover |               |
| 280T  | XP100 ID1  | 51770675004   | Cast Iron   | Drip Cover |               |
| 320T  | XP100 ID1  | 51770675003   | Cast Iron   | Drip Cover |               |
| 360T  | XP100 ID1  | 51770675001   | Cast Iron   | Drip Cover |               |
| 400T  | XP100 ID1  | 51770675001   | Cast Iron   | Drip Cover |               |
| 440T  | XP100 ID1  | 51770675002   | Cast Iron   | Drip Cover |               |

## Main Terminal Box

| Frame                     | Motor Type | Part Number       | Description |             | List Price \$ |
|---------------------------|------------|-------------------|-------------|-------------|---------------|
| 140T                      | XP100 ID1  | US2:3MSG211054301 | Cast Iron   | Conduit Box |               |
| 180T                      | XP100 ID1  | US2:3MSG211054301 | Cast Iron   | Conduit Box |               |
| 210T                      | XP100 ID1  | US2:3MSG212054301 | Cast Iron   | Conduit Box |               |
| 250T                      | XP100 ID1  | US2:3MSG212054304 | Cast Iron   | Conduit Box |               |
| 280T                      | XP100 ID1  | US2:3MSG212054307 | Cast Iron   | Conduit Box |               |
| 320T                      | XP100 ID1  | US2:3MSG720204901 | Cast Iron   | Conduit Box |               |
| 360T                      | XP100 ID1  | US2:3MSG720204904 | Cast Iron   | Conduit Box |               |
| 400T; 444T;<br>445T; 447T | XP100 ID1  | US2:3MSG740204901 | Cast Iron   | Conduit Box |               |
| 449T                      | XP100 ID1  | US2:3MSG750205301 | Cast Iron   | Conduit Box |               |

# SIMOTICS Definite purpose motors

SD10 MS

4/8 Poles 1 Winding Variable Torque  
1 Winding Variable Torque

**SD10 MS** high efficiency, severe duty, multi-speed motors are ideal for both indoor and outdoor below deck applications and in severe duty operating atmospheres, such as cooling towers, that require more than one base speed. They meet or exceed NEMA and CSA standards and the operational standards for severe operating environments.



|                          |   |  |
|--------------------------|---|--|
| HP range                 | Frame Size  | 1-250 HP<br>143T-449T  |
| Efficiency               | Standard Efficiency   | 143T-449T  |
| Voltage 1)               | 460 V<br>575 V  | 3 phase 60Hz<br>1-200HP<br>1-200HP   |
| Insulation               | Insulation Class F<br>Service Factor @ 40°C<br>Temperature rise (Sine wave)                     | <b>NEMA design B</b><br>NEMA MG1 Part 31<br>1.0<br>Class B @ 1.0SF<br>Class F @ 1.15SF   |
| Frame                    | 8 hole feet<br>Condensation drains<br>High strength carbon steel Shaft<br>V ring slinger – IP54 | <b>Cast iron</b><br>Casted single hole for 250T&280T frames.<br>T Drains Two on lowest point in frame<br>C1045<br>DE & NDE           |
| Stator/Windings rotor    | Stator<br>Rotor, die cast aluminum  | Random wound copper<br>143T-449T   |
| Conduit box              | Cast iron<br>Neoprene gasket  | 143T-449T<br>143T-449T   |
| Bearings                 | Double shielded<br>Single shielded<br>Bearing housing<br>Inlet / relief fittings                | 143T-256T<br>284T-449T<br>Cast iron<br>Alemite / plug  |
| Fan and fan cover        | Cast iron<br>Bidirectional fan  | 143T-449T<br>143T-449T   |
| Hardware                 | Nameplate<br>Lifting eyebolt<br>Paint   | Polypropylene<br><b>Rust resistant</b> Zinc plated<br>Stainless steel engraved<br>Included above 75 lbs.<br>Alkyd Modified - RAL7030 |
| Inverter duty            | Variable torque 20:1  | 143T-449T  |
| Hazardous classification | Service factor 1.0<br>Service factor 1.15   | <b>NA</b>  |

NEMA Premium® is a certification mark of the National Electrical Manufacturers Association.

1) Standard voltage for stock items, see option selection and pricing section for additional voltages.

# SIMOTICS Definite purpose motors

## SD10 MS (Multi-speed)

## 1 Winding variable torque

### 460V 60Hz - Foot mounted

| HP   |      | RPM  |     | Frame | Voltage | Type    | Part Number      | List Price \$ | Mult. Symb. |
|------|------|------|-----|-------|---------|---------|------------------|---------------|-------------|
| High | Low  | High | Low |       |         |         |                  |               |             |
| 1    | 0.25 | 1800 | 900 | 143T  | 460     | SD10 MS | 1LE23011AM240AA3 |               | SD4         |
| 1.5  | 0.37 | 1800 | 900 | 145T  | 460     | SD10 MS | 1LE23011AM340AA3 |               | SD4         |
| 2    | 0.5  | 1800 | 900 | 182T  | 460     | SD10 MS | 1LE23011CM140AA3 |               | SD4         |
| 3    | 0.75 | 1800 | 900 | 184T  | 460     | SD10 MS | 1LE23011CM340AA3 |               | SD4         |
| 5    | 1.2  | 1800 | 900 | 184T  | 460     | SD10 MS | 1LE23011CM440AA3 |               | SD4         |
| 5    | 1.2  | 1800 | 900 | 213T  | 460     | SD10 MS | 1LE23012AM140AA3 |               | SD4         |
| 7.5  | 1.9  | 1800 | 900 | 215T  | 460     | SD10 MS | 1LE23012AM240AA3 |               | SD4         |
| 10   | 2.5  | 1800 | 900 | 254T  | 460     | SD10 MS | 1LE23012BM140AA3 |               | SD4         |
| 15   | 3.7  | 1800 | 900 | 256T  | 460     | SD10 MS | 1LE23012BM240AA3 |               | SD4         |
| 20   | 5    | 1800 | 900 | 284T  | 460     | SD10 MS | 1LE23012CM140AA3 |               | SD4         |
| 25   | 6.2  | 1800 | 900 | 286T  | 460     | SD10 MS | 1LE23012CM240AA3 |               | SD4         |
| 30   | 7.5  | 1800 | 900 | 324T  | 460     | SD10 MS | 1LE23013AM140AA3 |               | SD4         |
| 40   | 10   | 1800 | 900 | 326T  | 460     | SD10 MS | 1LE23013AM240AA3 |               | SD4         |
| 50   | 12   | 1800 | 900 | 364T  | 460     | SD10 MS | 1LE23013CM140AA3 |               | SD4         |
| 60   | 15   | 1800 | 900 | 365T  | 460     | SD10 MS | 1LE23013CM240AA3 |               | SD4         |
| 75   | 19   | 1800 | 900 | 405T  | 460     | SD10 MS | 1LE23014AM240AA3 |               | SD4         |
| 100  | 25   | 1800 | 900 | 444TS | 460     | SD10 MS | 1LE23014DM140AA3 |               | SD4         |
| 100  | 25   | 1800 | 900 | 444T  | 460     | SD10 MS | 1LE23014CM140AA3 |               | SD4         |
| 100  | 25   | 1800 | 900 | B444T | 460     | SD10 MS | 1LE23014EM140AA3 |               | SD4         |
| 125  | 31   | 1800 | 900 | 445TS | 460     | SD10 MS | 1LE23014DM240AA3 |               | SD4         |
| 125  | 31   | 1800 | 900 | 445T  | 460     | SD10 MS | 1LE23014CM240AA3 |               | SD4         |
| 125  | 31   | 1800 | 900 | B445T | 460     | SD10 MS | 1LE23014EM240AA3 |               | SD4         |
| 150  | 37   | 1800 | 900 | 447TS | 460     | SD10 MS | 1LE23014DM340AA3 |               | SD4         |
| 150  | 37   | 1800 | 900 | 447T  | 460     | SD10 MS | 1LE23014CM340AA3 |               | SD4         |
| 150  | 37   | 1800 | 900 | B447T | 460     | SD10 MS | 1LE23014EM340AA3 |               | SD4         |
| 200  | 50   | 1800 | 900 | 449TS | 460     | SD10 MS | 1LE23014DM540AA3 |               | SD4         |
| 200  | 50   | 1800 | 900 | 449T  | 460     | SD10 MS | 1LE23014CM540AA3 |               | SD4         |
| 200  | 50   | 1800 | 900 | B449T | 460     | SD10 MS | 1LE23014EM540AA3 |               | SD4         |
| 250  | 62.5 | 1800 | 900 | 449TS | 460     | SD10 MS | 1LE23014DM640AA3 |               | SD4         |
| 250  | 62.5 | 1800 | 900 | 449T  | 460     | SD10 MS | 1LE23014CM640AA3 |               | SD4         |
| 250  | 62.5 | 1800 | 900 | B449T | 460     | SD10 MS | 1LE23014EM640AA3 |               | SD4         |

### 575V 60Hz - Foot mounted

| HP   |      | RPM  |     | Frame | Voltage | Type    | Part Number      | List Price \$ | Mult. Symb. |
|------|------|------|-----|-------|---------|---------|------------------|---------------|-------------|
| High | Low  | High | Low |       |         |         |                  |               |             |
| 25   | 6.2  | 1800 | 900 | 286T  | 575     | SD10 MS | 1LE23012CM244AA3 |               | SD4         |
| 30   | 7.5  | 1800 | 900 | 324T  | 575     | SD10 MS | 1LE23013AM144AA3 |               | SD4         |
| 40   | 10   | 1800 | 900 | 326T  | 575     | SD10 MS | 1LE23013AM244AA3 |               | SD4         |
| 50   | 12   | 1800 | 900 | 364T  | 575     | SD10 MS | 1LE23013CM144AA3 |               | SD4         |
| 60   | 15   | 1800 | 900 | 365T  | 575     | SD10 MS | 1LE23013CM244AA3 |               | SD4         |
| 75   | 19   | 1800 | 900 | 405T  | 575     | SD10 MS | 1LE23014AM244AA3 |               | SD4         |
| 100  | 25   | 1800 | 900 | 444TS | 575     | SD10 MS | 1LE23014DM144AA3 |               | SD4         |
| 100  | 25   | 1800 | 900 | B444T | 575     | SD10 MS | 1LE23014EM144AA3 |               | SD4         |
| 125  | 31   | 1800 | 900 | 445TS | 575     | SD10 MS | 1LE23014DM244AA3 |               | SD4         |
| 125  | 31   | 1800 | 900 | B445T | 575     | SD10 MS | 1LE23014EM244AA3 |               | SD4         |
| 150  | 37   | 1800 | 900 | 447TS | 575     | SD10 MS | 1LE23014DM344AA3 |               | SD4         |
| 150  | 37   | 1800 | 900 | B447T | 575     | SD10 MS | 1LE23014EM344AA3 |               | SD4         |
| 200  | 50   | 1800 | 900 | 449TS | 575     | SD10 MS | 1LE23014DM544AA3 |               | SD4         |
| 200  | 50   | 1800 | 900 | B449T | 575     | SD10 MS | 1LE23014EM544AA3 |               | SD4         |
| 250  | 62.5 | 1800 | 900 | 449TS | 575     | SD10 MS | 1LE23014DM644AA3 |               | SD4         |
| 250  | 62.5 | 1800 | 900 | B449T | 575     | SD10 MS | 1LE23014EM644AA3 |               | SD4         |



# SIMOTICS Definite purpose motors

RGKESDI / RGZESDI

Adjustable speed drive only

**RGZESDI / RGKESDI** Severe duty TEFC / TEBC (blower cooled) motors are designed for inverted or vectro applications where up to a 10:1 or 1000:1 constant torque speed range is required. These motors are well suited to be used with adjustable speed applications such as mixers, chemical processing, pulp and paper, waste management and petro/chemical.



**3**  
YEAR  
WARRANTY



RGZESDI 10:1 CT  
RGZESDI / RGKESDI 1000:1 CT

|                                 |  |  |
|---------------------------------|--|--|
| <b>HP Range</b>                 | Frame Size   | <b>1-400 HP</b><br>143T-S449   |
| <b>Efficiency</b>               | Standard Efficiency  | 143T-S449  |
| <b>Voltage 1)</b>               | <b>3 phase 60Hz</b><br>460 V<br>575 V  | <b>Single voltage only</b><br>1-400HP<br>1-400HP   |
| <b>Insulation</b>               | Insulation Class F<br>Service Factor @ 40°C  | NEMA MG1 Part 31<br>1.0<br>Variable frequency drive operation ONLY.  |
| <b>Frame</b>                    | 8 hole feet<br>Condensation drains<br>High strength carbon steel shaft<br>V ring slinger - IP54<br>Inpro/Seal® Bearing Isolator - IP55 | <b>Cast iron</b><br>Casted single hole for 250T&280T frames<br>T Drain<br>C1045<br>DE & NDE                                      |
| <b>Stator/Windings Rotor</b>    | Stator<br>Rotor, die cast aluminum   | Random wound copper NC Temp. Protective devices<br>143T-S449   |
| <b>Conduit box</b>              | Cast iron  | <b>Oversized</b><br>143T-S449  |
| <b>Bearings</b>                 | Single shielded<br>Bearing housing<br>Grease<br>Inlet / relief fittings  | 143T-S449<br>Cast iron<br>Polyurea base<br>Alemite / plug<br>Bearing caps  |
| <b>Fan and fan cover</b>        | Cover<br>Bidirectional fan<br>Uni-directional fan  | Cast Iron - 143T-S449<br>143T-449T Polypropylene<br>2 Pole - 350-400HP   |
| <b>Hardware</b>                 | Nameplate<br>Lifting eyebolt<br>Paint  | <b>Rust resistant</b> Zinc plated grade 5 only<br>Stainless steel engraved<br>Included above 75 lbs.<br>Alkyd Modified - RAL7030 |
| <b>Inverter Duty</b>            | Constant torque 1000:1<br>Constant torque 1000:1   | Non-ventilated 143T-256T<br>Blower cooled 254T-449T  |
| <b>Hazardous classification</b> | Service factor 1.0<br>Service factor 1.15  | NA   |

NEMA Premium® is a certification mark of the National Electrical Manufacturers Association.

1) Standard voltage for stock items, see option selection and pricing section for additional voltages.

# SIMOTICS Definite purpose motors

RGKESDI / RGZESDI

1000:1 Constant torque  
Adjustable speed drive only

460V 60Hz – Foot mounted

| HP  | RPM  | Frame | Voltage | Type           | Part Number      | List Price \$ | Mult. Symb. | FL Amps | Lbs  | Stock |
|-----|------|-------|---------|----------------|------------------|---------------|-------------|---------|------|-------|
| 1   | 1800 | 145T  | 460     | RGKESDI 1000:1 | 1PC29111AB512AG3 |               | SA-7INV     | 1.4     | 55   |       |
| 1   | 1200 | 182T  | 460     | RGKESDI 1000:1 | 1PC29111CC612AG3 |               | SA-7INV     | 1.8     | 85   |       |
| 1.5 | 3600 | 182T  | 460     | RGKESDI 1000:1 | 1PC29111CA612AG3 |               | SA-7INV     | 2.0     | 85   |       |
| 1.5 | 1800 | 182T  | 460     | RGKESDI 1000:1 | 1PC29111CB612AG3 |               | SA-7INV     | 2.2     | 85   |       |
| 1.5 | 1200 | 184T  | 460     | RGKESDI 1000:1 | 1PC29111CC712AG3 |               | SA-7INV     | 2.4     | 100  |       |
| 2   | 3600 | 184T  | 460     | RGKESDI 1000:1 | 1PC29111CA812AG3 |               | SA-7INV     | 2.5     | 100  |       |
| 2   | 1800 | 182T  | 460     | RGKESDI 1000:1 | 1PC29111CB512AG3 |               | SA-7INV     | 2.7     | 85   |       |
| 2   | 1200 | 213T  | 460     | RGKESDI 1000:1 | 1PC29112KC512AG3 |               | SA-7INV     | 3.2     | 130  |       |
| 3   | 3600 | 213T  | 460     | RGKESDI 1000:1 | 1PC29112KA112AG3 |               | SA-7INV     | 3.7     | 130  |       |
| 3   | 1800 | 184T  | 460     | RGKESDI 1000:1 | 1PC29111CB712AG3 |               | SA-7INV     | 4.2     | 100  |       |
| 3   | 1200 | 215T  | 460     | RGKESDI 1000:1 | 1PC29112AC012AG3 |               | SA-7INV     | 4.3     | 162  |       |
| 5   | 3600 | 215T  | 460     | RGKESDI 1000:1 | 1PC29112KA212AG3 |               | SA-7INV     | 5.8     | 162  |       |
| 5   | 1800 | 213T  | 460     | RGKESDI 1000:1 | 1PC29112KB512AG3 |               | SA-7INV     | 6.5     | 157  |       |
| 5   | 1200 | 254T  | 460     | RGKESDI 1000:1 | 1PC29112KC612AG3 |               | SA-7INV     | 7.1     | 250  |       |
| 7.5 | 3600 | 254T  | 460     | RGKESDI 1000:1 | 1PC29112KA312AG3 |               | SA-7INV     | 8.7     | 250  |       |
| 7.5 | 1800 | 254T  | 460     | RGKESDI 1000:1 | 1PC29112BB712AG3 |               | SA-7INV     | 9.5     | 245  |       |
| 7.5 | 1200 | 256T  | 460     | RGKESDI 1000:1 | 1PC29112BC012AG3 |               | SA-7INV     | 10.0    | 300  |       |
| 10  | 3600 | 256T  | 460     | RGKESDI 1000:1 | 1PC29112KA412AG3 |               | SA-7INV     | 12.5    | 300  |       |
| 10  | 1800 | 256T  | 460     | RGKESDI 1000:1 | 1PC29112BB812AG3 |               | SA-7INV     | 12.5    | 285  |       |
| 10  | 1200 | 256T  | 460     | RGZESDI 1000:1 | 1PC29212BC212AG3 |               | SA-7INV     | 13.0    | 330  |       |
| 15  | 3600 | 254T  | 460     | RGZESDI 1000:1 | 1PC29212BA112AG3 |               | SA-7INV     | 18.0    | 330  |       |
| 15  | 1800 | 254T  | 460     | RGZESDI 1000:1 | 1PC29212BB112AG3 |               | SA-7INV     | 20.0    | 330  |       |
| 15  | 1200 | 284T  | 460     | RGZESDI 1000:1 | 1PC29212CC112AG3 |               | SA-7INV     | 20.0    | 460  |       |
| 20  | 3600 | 256T  | 460     | RGZESDI 1000:1 | 1PC29212BA212AG3 |               | SA-7INV     | 23.0    | 375  |       |
| 20  | 1800 | 256T  | 460     | RGZESDI 1000:1 | 1PC29212BB212AG3 |               | SA-7INV     | 27.0    | 375  |       |
| 20  | 1200 | 286T  | 460     | RGZESDI 1000:1 | 1PC29212CC212AG3 |               | SA-7INV     | 26.0    | 530  |       |
| 25  | 3600 | 284TS | 460     | RGZESDI 1000:1 | 1PC29212DA112AG3 |               | SA-7INV     | 29.0    | 4600 |       |
| 25  | 1800 | 284T  | 460     | RGZESDI 1000:1 | 1PC29212CB112AG3 |               | SA-7INV     | 29.0    | 460  |       |
| 25  | 1200 | 324T  | 460     | RGZESDI 1000:1 | 1PC29213AC112AG3 |               | SA-7INV     | 33.0    | 645  |       |
| 30  | 3600 | 286TS | 460     | RGZESDI 1000:1 | 1PC29212DA212AG3 |               | SA-7INV     | 34.0    | 680  |       |
| 30  | 1800 | 286T  | 460     | RGZESDI 1000:1 | 1PC29212CB212AG3 |               | SA-7INV     | 35.0    | 680  |       |
| 30  | 1200 | 326T  | 460     | RGZESDI 1000:1 | 1PC29213AC212AG3 |               | SA-7INV     | 39.0    | 680  |       |
| 40  | 3600 | 324TS | 460     | RGZESDI 1000:1 | 1PC29213BA112AG3 |               | SA-7INV     | 46.0    | 645  |       |
| 40  | 1800 | 324T  | 460     | RGZESDI 1000:1 | 1PC29213AB112AG3 |               | SA-7INV     | 47.0    | 645  |       |
| 40  | 1200 | 364T  | 460     | RGZESDI 1000:1 | 1PC29213CC112AG3 |               | SA-7INV     | 52.0    | 910  |       |
| 50  | 3600 | 326TS | 460     | RGZESDI 1000:1 | 1PC29213BA212AG3 |               | SA-7INV     | 55.0    | 680  |       |
| 50  | 1800 | 326T  | 460     | RGZESDI 1000:1 | 1PC29213AB212AG3 |               | SA-7INV     | 58.0    | 680  |       |
| 50  | 1200 | 365T  | 460     | RGZESDI 1000:1 | 1PC29213CC212AG3 |               | SA-7INV     | 66.0    | 930  |       |

QuikMOD Delivery for stocked motors only.  
Stock availability subject to change.  
Prices and Specifications are subject to change without notice.

# SIMOTICS Definite purpose motors

## RGKESDI / RGZESDI

### 1000:1 Constant torque Adjustable speed drive only

460V 60Hz – Foot mounted

| HP  | RPM  | Frame  | Voltage | Type           | Part Number      | List Price \$ | Mult. Symb. | FL Amps | Lbs  | Stock |
|-----|------|--------|---------|----------------|------------------|---------------|-------------|---------|------|-------|
| 60  | 3600 | 364TS  | 460     | RGZESDI 1000:1 | 1PC29213DA112AG3 |               | SA-7INV     | 68.0    | 910  |       |
| 60  | 1800 | 364T   | 460     | RGZESDI 1000:1 | 1PC29213CB112AG3 |               | SA-7INV     | 71.0    | 910  |       |
| 60  | 1200 | 404T   | 460     | RGZESDI 1000:1 | 1PC29214AC112AG3 |               | SA-7INV     | 72.0    | 1180 |       |
| 75  | 3600 | 365TS  | 460     | RGZESDI 1000:1 | 1PC29213DA212AG3 |               | SA-7INV     | 85.0    | 930  |       |
| 75  | 1800 | 365T   | 460     | RGZESDI 1000:1 | 1PC29213CB212AG3 |               | SA-7INV     | 87.0    | 930  |       |
| 75  | 1200 | 405T   | 460     | RGZESDI 1000:1 | 1PC29214AC212AG3 |               | SA-7INV     | 87.0    | 1330 |       |
| 100 | 3600 | 405TS  | 460     | RGZESDI 1000:1 | 1PC29214BA212AG3 |               | SA-7INV     | 110.0   | 1330 |       |
| 100 | 1800 | 405T   | 460     | RGZESDI 1000:1 | 1PC29214AB212AG3 |               | SA-7INV     | 113.0   | 1330 |       |
| 100 | 1200 | 444TS  | 460     | RGZESDI 1000:1 | 1PC29214DC112AG3 |               | SA-7INV     | 115.0   | 1700 |       |
| 125 | 3600 | 444TS  | 460     | RGZESDI 1000:1 | 1PC29214DA112AG3 |               | SA-7INV     | 136.0   | 1700 |       |
| 125 | 1800 | 444TS  | 460     | RGZESDI 1000:1 | 1PC29214DB112AG3 |               | SA-7INV     | 143.0   | 1700 |       |
| 125 | 1200 | 445TS  | 460     | RGZESDI 1000:1 | 1PC29214DC212AG3 |               | SA-7INV     | 144.0   | 1820 |       |
| 150 | 3600 | 445TS  | 460     | RGZESDI 1000:1 | 1PC29214DA212AG3 |               | SA-7INV     | 160.0   | 1820 |       |
| 150 | 1800 | 445TS  | 460     | RGZESDI 1000:1 | 1PC29214DB212AG3 |               | SA-7INV     | 169.0   | 1820 |       |
| 150 | 1200 | 447TS  | 460     | RGZESDI 1000:1 | 1PC29214DC312AG3 |               | SA-7INV     | 169.0   | 2080 |       |
| 200 | 3600 | 447TS  | 460     | RGZESDI 1000:1 | 1PC29214DA312AG3 |               | SA-7INV     | 208.0   | 2080 |       |
| 200 | 1800 | 447TS  | 460     | RGZESDI 1000:1 | 1PC29214DB312AG3 |               | SA-7INV     | 223.0   | 2080 |       |
| 200 | 1200 | 449TS  | 460     | RGZESDI 1000:1 | 1PC29214DC512AG3 |               | SA-7INV     | 222.0   | 2380 |       |
| 250 | 3600 | 449TS  | 460     | RGZESDI 1000:1 | 1PC29214DA512AG3 |               | SA-7INV     | 264.0   | 2380 |       |
| 250 | 1800 | 449TS  | 460     | RGZESDI 1000:1 | 1PC29214DB512AG3 |               | SA-7INV     | 282.0   | 2380 |       |
| 250 | 1200 | 449TS  | 460     | RGZESDI 1000:1 | 1PC29214DC612AG3 |               | SA-7INV     | 285.0   | 2380 |       |
| 300 | 3600 | 449TS  | 460     | RGZESDI 1000:1 | 1PC29214DA612AG3 |               | SA-7INV     | 330.0   | 2380 |       |
| 300 | 1800 | 449TS  | 460     | RGZESDI 1000:1 | 1PC29214DB612AG3 |               | SA-7INV     | 345.0   | 2380 |       |
| 300 | 1200 | S449SS | 460     | RGZESDI 1000:1 | 1PC29214GC112AG3 |               | SA-7INV     | 335.0   | 4130 |       |
| 350 | 3600 | S449SS | 460     | RGZESDI 1000:1 | 1PC29214GA112AG3 |               | SA-7INV     | 370.0   | 4130 |       |
| 350 | 1800 | S449SS | 460     | RGZESDI 1000:1 | 1PC29214GB212AG3 |               | SA-7INV     | 390.0   | 4130 |       |
| 350 | 1200 | S449SS | 460     | RGZESDI 1000:1 | 1PC29214GC312AG3 |               | SA-7INV     | 396.0   | 4130 |       |
| 400 | 3600 | S449SS | 460     | RGZESDI 1000:1 | 1PC29214GA312AG3 |               | SA-7INV     | 420.0   | 4130 |       |
| 400 | 1800 | S449SS | 460     | RGZESDI 1000:1 | 1PC29214GB312AG3 |               | SA-7INV     | 450.0   | 4130 |       |

QuikMOD Delivery for stocked motors only.  
 Stock availability subject to change.  
 Prices and Specifications are subject to change without notice.



# SIMOTICS Definite purpose motors

## RGZVESD – Vertical solid shaft

Normal thrust

RGZVESD P-base vertical solid shaft motors are ideal for applications such as centrifugal and turbine pumps.



3  
YEAR  
WARRANTY



Down thrust: 355 to 1,860 lbs.  
Up thrust: 380 to 2,800 lbs.

|                          |   |   |
|--------------------------|---|---|
| HP range                 | Frame Size  | <b>1-250HP</b><br>143HP-449HP   |
| Efficiency               | Energy Efficient (NEMA MG1 Table 12-11)   | 143HP-449HP   |
| Voltage <sup>1)</sup>    | 230 / 460 V<br>460 V<br>575 V   | <b>3 phase 60Hz</b><br>1-20HP<br>25-250HP<br>1-250HP  |
| Insulation               | Insulation Class F<br>Service Factor @ 40°C<br>Temperature rise (Sine wave)   | <b>NEMA design B</b><br>NEMA MG1 Part 31<br>1.15<br>Class B @ 1.0SF<br>Class F @ 1.15SF   |
| Frame                    | Condensation drains<br>High strength carbon steel shaft<br>V ring slinger - IP54  | <b>Cast iron</b><br>T-drain<br>C1045<br>DE & NDE  |
| Stator/Windings rotor    | Stator<br>Rotor die cast aluminum   | Random wound copper<br>143HP-449HP  |
| Conduit box (oversize)   | Cast iron<br>Neoprene gasket  | 143HP-449HP<br>143HP-449HP  |
| Bearings                 | Double shielded<br>Single shielded<br>Open<br>Bearing housing<br>Bearing housing/bearing cap<br>Grease<br>Inlet / relief fittings | 284HP-365HP 440HP (DE), 440HP (NDE)<br>404HP-405HP (DE & NDE)<br>143HP-254HP & 440HP (DE)<br>Cast iron Bearing cape<br>Cast iron / 143HP-449HP<br>Polyurea base<br>Alemite / plug |
| Fan and fan cover        | Cover<br>Bidirectional fan  | 143HP-449HP Cast iron<br>143HP-449HP Polypropylene  |
| Hardware                 | Nameplate<br>Lifting eyebolt<br>Paint   | <b>Rust resistant</b> Zinc plated<br>Stainless steel engraved<br>NA<br>Alkyd - RAL7030  |
| Inverter duty            | Variable torque 20:1<br>Constant torque 4:1   | 143HP-449HP<br>143HP-449HP  |
| Hazardous classification | Service factor 1.0<br><br>Service factor 1.15   | <sup>2)</sup> CSA - 143HP-449HP (40°C)<br>Class 1, Division 2, T3 temperature code 449-S449 T2D   |

1) Standard voltage for stock items, see option selection and pricing section for additional voltages.

2) Available as an option.

# SIMOTICS Definite purpose motors

## RGZVESD – Vertical solid shaft

## Normal thrust

460V 60Hz

| HP  | RPM  | Frame | Voltage | Type    | Part Number      | List Price \$ | Mult. Symb. | Cont. Thrust (LBS) |      | FL Amps | FL Nom Eff. (%) | Lbs | Stock |
|-----|------|-------|---------|---------|------------------|---------------|-------------|--------------------|------|---------|-----------------|-----|-------|
|     |      |       |         |         |                  |               |             | Up                 | Dwn  |         |                 |     |       |
| 1   | 1800 | 143HP | 230/460 | RGZVESD | 1PC28111BB216TA3 |               | SA-7        | 380                | 355  | 1.5     | 82.5            | 70  |       |
| 1   | 1200 | 145HP | 230/460 | RGZVESD | 1PC28111BC316TA3 |               | SA-7        | 445                | 415  | 1.6     | 80.0            | 75  |       |
| 1   | 900  | 182HP | 230/460 | RGZVESD | 1PC28111DD116TA3 |               | SA-7        | 495                | 465  | 1.9     | 74.0            | 85  |       |
| 1.5 | 3600 | 143HP | 230/460 | RGZVESD | 1PC28111BA216TA3 |               | SA-7        | 295                | 275  | 1.9     | 85.5            | 70  |       |
| 1.5 | 1800 | 145HP | 230/460 | RGZVESD | 1PC28111BB316TA3 |               | SA-7        | 385                | 330  | 2.2     | 84.0            | 75  |       |
| 1.5 | 1200 | 182HP | 230/460 | RGZVESD | 1PC28111DC116TA3 |               | SA-7        | 550                | 510  | 2.3     | 85.5            | 85  |       |
| 1.5 | 900  | 184HP | 230/460 | RGZVESD | 1PC28111DD216TA3 |               | SA-7        | 615                | 570  | 2.6     | 77.0            | 100 |       |
| 2   | 3600 | 145HP | 230/460 | RGZVESD | 1PC28111BA316TA3 |               | SA-7        | 295                | 275  | 2.5     | 84.0            | 75  |       |
| 2   | 1800 | 145HP | 230/460 | RGZVESD | 1PC28111BB416TA3 |               | SA-7        | 385                | 350  | 2.7     | 84.0            | 75  |       |
| 2   | 1200 | 184HP | 230/460 | RGZVESD | 1PC28111DC216TA3 |               | SA-7        | 550                | 510  | 3.0     | 86.5            | 100 |       |
| 2   | 900  | 213HP | 230/460 | RGZVESD | 1PC28112AD316TA3 |               | SA-7        | 615                | 570  | 3.3     | 82.5            | 135 |       |
| 3   | 3600 | 182HP | 230/460 | RGZVESD | 1PC28111DA116TA3 |               | SA-7        | 365                | 340  | 3.6     | 85.5            | 85  | ✓     |
| 3   | 1800 | 182HP | 230/460 | RGZVESD | 1PC28111DB116TA3 |               | SA-7        | 480                | 430  | 3.9     | 87.5            | 85  | ✓     |
| 3   | 1200 | 213HP | 230/460 | RGZVESD | 1PC28112AC316TA3 |               | SA-7        | 785                | 725  | 4.0     | 87.5            | 135 |       |
| 3   | 900  | 215HP | 230/460 | RGZVESD | 1PC28112AD416TA3 |               | SA-7        | 875                | 810  | 4.7     | 84.0            | 160 |       |
| 5   | 3600 | 184HP | 230/460 | RGZVESD | 1PC28111DA216TA3 |               | SA-7        | 375                | 330  | 5.8     | 87.5            | 100 | ✓     |
| 5   | 1800 | 184HP | 230/460 | RGZVESD | 1PC28111DB216TA3 |               | SA-7        | 485                | 425  | 6.5     | 87.5            | 100 | ✓     |
| 5   | 1200 | 215HP | 230/460 | RGZVESD | 1PC28112AC416TA3 |               | SA-7        | 790                | 720  | 6.8     | 87.5            | 160 |       |
| 5   | 900  | 254HP | 230/460 | RGZVESD | 1PC28112BD316TA3 |               | SA-7        | 885                | 805  | 7.5     | 85.5            | 245 |       |
| 7.5 | 3600 | 213HP | 230/460 | RGZVESD | 1PC28112AA316TA3 |               | SA-7        | 525                | 475  | 8.8     | 88.5            | 135 | ✓     |
| 7.5 | 1800 | 213HP | 230/460 | RGZVESD | 1PC28112AB316TA3 |               | SA-7        | 685                | 610  | 9.5     | 89.5            | 135 | ✓     |
| 7.5 | 1200 | 254HP | 230/460 | RGZVESD | 1PC28112BC316TA3 |               | SA-7        | 1130               | 1025 | 9.8     | 89.5            | 245 |       |
| 7.5 | 900  | 256HP | 230/460 | RGZVESD | 1PC28112BD416TA3 |               | SA-7        | 1260               | 1150 | 11.5    | 85.5            | 285 |       |
| 10  | 3600 | 215HP | 230/460 | RGZVESD | 1PC28112AA416TA3 |               | SA-7        | 530                | 470  | 12.0    | 89.5            | 160 | ✓     |
| 10  | 1800 | 215HP | 230/460 | RGZVESD | 1PC28112AB416TA3 |               | SA-7        | 690                | 605  | 12.5    | 89.5            | 160 | ✓     |
| 10  | 1200 | 256HP | 230/460 | RGZVESD | 1PC28112BC416TA3 |               | SA-7        | 1140               | 1015 | 13.0    | 89.5            | 285 |       |
| 10  | 900  | 284HP | 230/460 | RGZVESD | 1PC28112CD316TA3 |               | SA-7        | 1275               | 1140 | 15.0    | 88.5            | 485 |       |
| 15  | 3600 | 254HP | 230/460 | RGZVESD | 1PC28112BA316TA3 |               | SA-7        | 760                | 670  | 17.0    | 90.2            | 245 | ✓     |
| 15  | 1800 | 254HP | 230/460 | RGZVESD | 1PC28112BB316TA3 |               | SA-7        | 980                | 870  | 18.7    | 91.0            | 245 | ✓     |
| 15  | 1200 | 284HP | 230/460 | RGZVESD | 1PC28112CC316TA3 |               | SA-7        | 1170               | 985  | 20.0    | 90.2            | 485 |       |
| 15  | 900  | 286HP | 230/460 | RGZVESD | 1PC28112CD416TA3 |               | SA-7        | 1310               | 1100 | 23.0    | 88.5            | 520 |       |
| 20  | 3600 | 256HP | 230/460 | RGZVESD | 1PC28112BA416TA3 |               | SA-7        | 765                | 665  | 23.0    | 90.2            | 285 | ✓     |
| 20  | 1800 | 256HP | 230/460 | RGZVESD | 1PC28112BB416TA3 |               | SA-7        | 995                | 855  | 26.0    | 91.0            | 285 | ✓     |
| 20  | 1200 | 286HP | 230/460 | RGZVESD | 1PC28112CC416TA3 |               | SA-7        | 1190               | 965  | 26.0    | 90.2            | 520 |       |
| 20  | 900  | 324HP | 230/460 | RGZVESD | 1PC28113AD316TA3 |               | SA-7        | 1330               | 1080 | 31.0    | 89.5            | 565 |       |
| 25  | 3600 | 284HP | 460     | RGZVESD | 1PC28112CA312TA3 |               | SA-7        | 785                | 645  | 29.0    | 91.0            | 485 | ✓     |
| 25  | 1800 | 284HP | 460     | RGZVESD | 1PC28112CB312TA3 |               | SA-7        | 1020               | 830  | 29.0    | 92.4            | 485 | ✓     |
| 25  | 1200 | 324HP | 460     | RGZVESD | 1PC28113AC312TA3 |               | SA-7        | 1795               | 1535 | 33.0    | 91.7            | 565 |       |
| 25  | 900  | 326HP | 460     | RGZVESD | 1PC28113AD412TA3 |               | SA-7        | 2000               | 1720 | 38.0    | 89.5            | 710 |       |

QuikMOD Delivery for stocked motors only.  
Stock availability subject to change.

Prices and Specifications are subject to change without notice.  
DOE#CC032A

# SIMOTICS Definite purpose motors

## RGZVESD – Vertical solid shaft

Normal thrust

460V 60Hz

| HP  | RPM  | Frame | Voltage | Type    | Part Number      | List Price \$ | Mult. Symb. | Cont. Thrust (LBS) |      | FL Amps | FL Nom Eff. (%) | Lbs  | Stock |
|-----|------|-------|---------|---------|------------------|---------------|-------------|--------------------|------|---------|-----------------|------|-------|
|     |      |       |         |         |                  |               |             | Up                 | Dwn  |         |                 |      |       |
| 30  | 3600 | 286HP | 460     | RGZVESD | 1PC28112CA412TA3 |               | SA-7        | 795                | 635  | 34.0    | 91.0            | 520  | ✓     |
| 30  | 1800 | 286HP | 460     | RGZVESD | 1PC28112CB412TA3 |               | SA-7        | 1035               | 815  | 35.0    | 92.4            | 520  | ✓     |
| 30  | 1200 | 326HP | 460     | RGZVESD | 1PC28113AC412TA3 |               | SA-7        | 1820               | 1510 | 39.0    | 91.7            | 710  |       |
| 30  | 900  | 364HP | 460     | RGZVESD | 1PC28113CD312TA3 |               | SA-7        | 2320               | 1860 | 46.8    | 91.0            | 800  |       |
| 40  | 3600 | 324HP | 460     | RGZVESD | 1PC28113AA312TA3 |               | SA-7        | 1205               | 1005 | 45.0    | 91.7            | 565  | ✓     |
| 40  | 1800 | 324HP | 460     | RGZVESD | 1PC28113AB312TA3 |               | SA-7        | 1570               | 1290 | 47.0    | 93.0            | 565  | ✓     |
| 40  | 1200 | 364HP | 460     | RGZVESD | 1PC28113CC312TA3 |               | SA-7        | 2075               | 1675 | 52.0    | 93.0            | 800  |       |
| 40  | 900  | 365HP | 460     | RGZVESD | 1PC28113CD412TA3 |               | SA-7        | 2340               | 1840 | 63.0    | 91.0            | 875  |       |
| 50  | 3600 | 326HP | 460     | RGZVESD | 1PC28113AA412TA3 |               | SA-7        | 1215               | 995  | 55.0    | 92.4            | 710  | ✓     |
| 50  | 1800 | 326HP | 460     | RGZVESD | 1PC28113AB412TA3 |               | SA-7        | 1585               | 1275 | 58.0    | 93.0            | 710  | ✓     |
| 50  | 1200 | 365HP | 460     | RGZVESD | 1PC28113CC412TA3 |               | SA-7        | 2095               | 1660 | 66.0    | 93.0            | 875  |       |
| 50  | 900  | 404HP | 460     | RGZVESD | 1PC28114AD312TA3 |               | SA-7        | 2370               | 1810 | 67.0    | 91.7            | 1290 |       |
| 60  | 3600 | 364HP | 460     | RGZVESD | 1PC28113CA312TA3 |               | SA-7        | 1410               | 1080 | 68.0    | 93.0            | 800  | ✓     |
| 60  | 1800 | 364HP | 460     | RGZVESD | 1PC28113CB312TA3 |               | SA-7        | 1795               | 1435 | 71.0    | 93.6            | 800  | ✓     |
| 60  | 1200 | 404HP | 460     | RGZVESD | 1PC28114AC312TA3 |               | SA-7        | 2155               | 1595 | 74.0    | 93.6            | 1290 |       |
| 60  | 900  | 405HP | 460     | RGZVESD | 1PC28114AD412TA3 |               | SA-7        | 2410               | 1770 | 78.0    | 91.7            | 1420 |       |
| 75  | 3600 | 365HP | 460     | RGZVESD | 1PC28113CA412TA3 |               | SA-7        | 1420               | 1070 | 85.0    | 93.0            | 875  | ✓     |
| 75  | 1800 | 365HP | 460     | RGZVESD | 1PC28113CB412TA3 |               | SA-7        | 1815               | 1415 | 87.0    | 94.1            | 875  | ✓     |
| 75  | 1200 | 405HP | 460     | RGZVESD | 1PC28114AC412TA3 |               | SA-7        | 2195               | 1555 | 93.0    | 93.6            | 1420 |       |
| 75  | 900  | 444HP | 460     | RGZVESD | 1PC28114HD112TA3 |               | SA-7        | 2495               | 1685 | 94.0    | 93.0            | 1740 |       |
| 100 | 3600 | 405HP | 460     | RGZVESD | 1PC28114AA412TA3 |               | SA-7        | 1475               | 1015 | 108.0   | 93.6            | 1420 | ✓     |
| 100 | 1800 | 405HP | 460     | RGZVESD | 1PC28114AB412TA3 |               | SA-7        | 1915               | 1315 | 113.0   | 94.5            | 1420 | ✓     |
| 100 | 1200 | 444HP | 460     | RGZVESD | 1PC28114HC112TA3 |               | SA-7        | 2315               | 1435 | 117.0   | 94.1            | 1740 |       |
| 100 | 900  | 445HP | 460     | RGZVESD | 1PC28114HD212TA3 |               | SA-7        | 2565               | 1615 | 123.0   | 93.0            | 1930 |       |
| 125 | 1800 | 444HP | 460     | RGZVESD | 1PC28114HB112TA3 |               | SA-7        | 1975               | 1255 | 143.0   | 94.5            | 1740 |       |
| 125 | 1200 | 445HP | 460     | RGZVESD | 1PC28114HC212TA3 |               | SA-7        | 2385               | 1365 | 144.0   | 94.1            | 1930 |       |
| 125 | 900  | 447HP | 460     | RGZVESD | 1PC28114HD312TA3 |               | SA-7        | 2670               | 1510 | 152.0   | 93.6            | 2280 |       |
| 150 | 1800 | 445HP | 460     | RGZVESD | 1PC28114HB212TA3 |               | SA-7        | 2060               | 1170 | 170.0   | 95.0            | 1930 |       |
| 150 | 1200 | 447HP | 460     | RGZVESD | 1PC28114HC312TA3 |               | SA-7        | 2400               | 1350 | 170.0   | 95.0            | 2280 |       |
| 150 | 900  | 447HP | 460     | RGZVESD | 1PC28114HD412TA3 |               | SA-7        | 2730               | 1450 | 186.0   | 93.6            | 2280 |       |
| 200 | 1800 | 447HP | 460     | RGZVESD | 1PC28114HB312TA3 |               | SA-7        | 2115               | 1115 | 225.0   | 95.0            | 2280 |       |
| 200 | 1200 | 449HP | 460     | RGZVESD | 1PC28114HC512TA3 |               | SA-7        | 2450               | 1300 | 226.0   | 95.0            | 2600 |       |
| 200 | 900  | 449HP | 460     | RGZVESD | 1PC28114HD612TA3 |               | SA-7        | 2800               | 1380 | 241.0   | 94.1            | 2600 |       |
| 250 | 1800 | 449HP | 460     | RGZVESD | 1PC28114HB512TA3 |               | SA-7        | 2185               | 1045 | 281.0   | 95.0            | 2600 |       |
| 250 | 1200 | 449HP | 460     | RGZVESD | 1PC28114HC612TA3 |               | SA-7        | 2520               | 1230 | 280.0   | 95.0            | 2600 |       |

QuikMOD Delivery for stocked motors only.  
 Stock availability subject to change.

Prices and Specifications are subject to change without notice.  
 DOE#CC032A

# SIMOTICS Definite purpose motors

## RGZVESD – Vertical solid shaft

## Normal thrust

### 575V 60Hz

| HP  | RPM  | Frame | Voltage | Type    | Part Number      | List Price \$ | Mult. Symb. | Cont. Thrust (LBS) |      | FL Amps | FL Nom Eff. (%) | Lbs | Stock |
|-----|------|-------|---------|---------|------------------|---------------|-------------|--------------------|------|---------|-----------------|-----|-------|
|     |      |       |         |         |                  |               |             | Up                 | Dwn  |         |                 |     |       |
| 1   | 1800 | 143HP | 575     | RGZVESD | 1PC28111BB213TA3 |               | SA-7        | 380                | 355  | 1.5     | 82.5            | 70  |       |
| 1   | 1200 | 145HP | 575     | RGZVESD | 1PC28111BC313TA3 |               | SA-7        | 445                | 415  | 1.6     | 80.0            | 75  |       |
| 1   | 900  | 182HP | 575     | RGZVESD | 1PC28111DD113TA3 |               | SA-7        | 495                | 465  | 1.9     | 74.0            | 85  |       |
| 1.5 | 3600 | 143HP | 575     | RGZVESD | 1PC28111BA213TA3 |               | SA-7        | 295                | 275  | 1.9     | 85.5            | 70  |       |
| 1.5 | 1800 | 145HP | 575     | RGZVESD | 1PC28111BB313TA3 |               | SA-7        | 385                | 330  | 2.2     | 84.0            | 75  |       |
| 1.5 | 1200 | 182HP | 575     | RGZVESD | 1PC28111DC113TA3 |               | SA-7        | 550                | 510  | 2.3     | 85.5            | 85  |       |
| 1.5 | 900  | 184HP | 575     | RGZVESD | 1PC28111DD213TA3 |               | SA-7        | 615                | 570  | 2.6     | 77.0            | 100 |       |
| 2   | 3600 | 145HP | 575     | RGZVESD | 1PC28111BA313TA3 |               | SA-7        | 295                | 275  | 2.5     | 84.0            | 75  |       |
| 2   | 1800 | 145HP | 575     | RGZVESD | 1PC28111BB413TA3 |               | SA-7        | 385                | 350  | 2.7     | 84.0            | 75  |       |
| 2   | 1200 | 184HP | 575     | RGZVESD | 1PC28111DC213TA3 |               | SA-7        | 550                | 510  | 3.0     | 86.5            | 100 |       |
| 2   | 900  | 213HP | 575     | RGZVESD | 1PC28112AD313TA3 |               | SA-7        | 615                | 570  | 3.3     | 82.5            | 135 |       |
| 3   | 3600 | 182HP | 575     | RGZVESD | 1PC28111DA113TA3 |               | SA-7        | 365                | 340  | 3.6     | 85.5            | 85  |       |
| 3   | 1800 | 182HP | 575     | RGZVESD | 1PC28111DB113TA3 |               | SA-7        | 480                | 430  | 3.9     | 87.5            | 85  |       |
| 3   | 1200 | 213HP | 575     | RGZVESD | 1PC28112AC313TA3 |               | SA-7        | 785                | 725  | 4.0     | 87.5            | 135 |       |
| 3   | 900  | 215HP | 575     | RGZVESD | 1PC28112AD413TA3 |               | SA-7        | 875                | 810  | 4.7     | 84.0            | 160 |       |
| 5   | 3600 | 184HP | 575     | RGZVESD | 1PC28111DA213TA3 |               | SA-7        | 375                | 330  | 5.8     | 87.5            | 100 |       |
| 5   | 1800 | 184HP | 575     | RGZVESD | 1PC28111DB213TA3 |               | SA-7        | 485                | 425  | 6.5     | 87.5            | 100 |       |
| 5   | 1200 | 215HP | 575     | RGZVESD | 1PC28112AC413TA3 |               | SA-7        | 790                | 720  | 6.8     | 87.5            | 160 |       |
| 5   | 900  | 254HP | 575     | RGZVESD | 1PC28112BD313TA3 |               | SA-7        | 885                | 805  | 7.5     | 85.5            | 245 |       |
| 7.5 | 3600 | 213HP | 575     | RGZVESD | 1PC28112AA313TA3 |               | SA-7        | 525                | 475  | 8.8     | 88.5            | 135 |       |
| 7.5 | 1800 | 213HP | 575     | RGZVESD | 1PC28112AB313TA3 |               | SA-7        | 685                | 610  | 9.5     | 89.5            | 135 |       |
| 7.5 | 1200 | 254HP | 575     | RGZVESD | 1PC28112BC313TA3 |               | SA-7        | 1130               | 1025 | 9.8     | 89.5            | 245 |       |
| 7.5 | 900  | 256HP | 575     | RGZVESD | 1PC28112BD413TA3 |               | SA-7        | 1260               | 1150 | 11.5    | 85.5            | 285 |       |
| 10  | 3600 | 215HP | 575     | RGZVESD | 1PC28112AA413TA3 |               | SA-7        | 530                | 470  | 12.0    | 89.5            | 160 |       |
| 10  | 1800 | 215HP | 575     | RGZVESD | 1PC28112AB413TA3 |               | SA-7        | 690                | 605  | 12.5    | 89.5            | 160 |       |
| 10  | 1200 | 256HP | 575     | RGZVESD | 1PC28112BC413TA3 |               | SA-7        | 1140               | 1015 | 13.0    | 89.5            | 285 |       |
| 10  | 900  | 284HP | 575     | RGZVESD | 1PC28112CD313TA3 |               | SA-7        | 1275               | 1140 | 15.0    | 88.5            | 485 |       |
| 15  | 3600 | 254HP | 575     | RGZVESD | 1PC28112BA313TA3 |               | SA-7        | 760                | 670  | 17.0    | 90.2            | 245 |       |
| 15  | 1800 | 254HP | 575     | RGZVESD | 1PC28112BB313TA3 |               | SA-7        | 980                | 870  | 18.7    | 91.0            | 245 |       |
| 15  | 1200 | 284HP | 575     | RGZVESD | 1PC28112CC313TA3 |               | SA-7        | 1170               | 985  | 20.0    | 90.2            | 485 |       |
| 15  | 900  | 286HP | 575     | RGZVESD | 1PC28112CD413TA3 |               | SA-7        | 1310               | 1100 | 23.0    | 88.5            | 520 |       |
| 20  | 3600 | 256HP | 575     | RGZVESD | 1PC28112BA413TA3 |               | SA-7        | 765                | 665  | 23.0    | 90.2            | 285 |       |
| 20  | 1800 | 256HP | 575     | RGZVESD | 1PC28112BB413TA3 |               | SA-7        | 995                | 855  | 26.0    | 91.0            | 285 |       |
| 20  | 1200 | 286HP | 575     | RGZVESD | 1PC28112CC413TA3 |               | SA-7        | 1190               | 965  | 26.0    | 90.2            | 520 |       |
| 20  | 900  | 324HP | 575     | RGZVESD | 1PC28113AD313TA3 |               | SA-7        | 1330               | 1080 | 31.0    | 89.5            | 565 |       |
| 25  | 3600 | 284HP | 575     | RGZVESD | 1PC28112CA313TA3 |               | SA-7        | 785                | 645  | 29.0    | 91.0            | 485 |       |
| 25  | 1800 | 284HP | 575     | RGZVESD | 1PC28112CB313TA3 |               | SA-7        | 1020               | 830  | 29.0    | 92.4            | 485 |       |
| 25  | 1200 | 324HP | 575     | RGZVESD | 1PC28113AC313TA3 |               | SA-7        | 1795               | 1535 | 33.0    | 91.7            | 565 |       |
| 25  | 900  | 326HP | 575     | RGZVESD | 1PC28113AD413TA3 |               | SA-7        | 2000               | 1720 | 38.0    | 89.5            | 710 |       |



# SIMOTICS Definite purpose motors

## RGZVESD – Vertical solid shaft

Normal thrust

575V 60Hz

| HP  | RPM  | Frame | Voltage | Type    | Part Number      | List Price \$ | Mult. Symb. | Cont. Thrust (LBS) |      | FL Amps | FL Nom Eff. (%) | Lbs  | Stock |
|-----|------|-------|---------|---------|------------------|---------------|-------------|--------------------|------|---------|-----------------|------|-------|
|     |      |       |         |         |                  |               |             | Up                 | Dwn  |         |                 |      |       |
| 30  | 3600 | 286HP | 575     | RGZVESD | 1PC28112CA413TA3 |               | SA-7        | 795                | 635  | 34.0    | 91.0            | 520  |       |
| 30  | 1800 | 286HP | 575     | RGZVESD | 1PC28112CB413TA3 |               | SA-7        | 1035               | 815  | 35.0    | 92.4            | 520  |       |
| 30  | 1200 | 326HP | 575     | RGZVESD | 1PC28113AC413TA3 |               | SA-7        | 1820               | 1510 | 39.0    | 91.7            | 710  |       |
| 30  | 900  | 364HP | 575     | RGZVESD | 1PC28113CD313TA3 |               | SA-7        | 2320               | 1860 | 46.8    | 91.0            | 800  |       |
| 40  | 3600 | 324HP | 575     | RGZVESD | 1PC28113AA313TA3 |               | SA-7        | 1205               | 1005 | 45.0    | 91.7            | 565  |       |
| 40  | 1800 | 324HP | 575     | RGZVESD | 1PC28113AB313TA3 |               | SA-7        | 1570               | 1290 | 47.0    | 93.0            | 565  |       |
| 40  | 1200 | 364HP | 575     | RGZVESD | 1PC28113CC313TA3 |               | SA-7        | 2075               | 1675 | 52.0    | 93.0            | 800  |       |
| 40  | 900  | 365HP | 575     | RGZVESD | 1PC28113CD413TA3 |               | SA-7        | 2340               | 1840 | 63.0    | 91.0            | 875  |       |
| 50  | 3600 | 326HP | 575     | RGZVESD | 1PC28113AA413TA3 |               | SA-7        | 1215               | 995  | 55.0    | 92.4            | 710  |       |
| 50  | 1800 | 326HP | 575     | RGZVESD | 1PC28113AB413TA3 |               | SA-7        | 1585               | 1275 | 58.0    | 93.0            | 710  |       |
| 50  | 1200 | 365HP | 575     | RGZVESD | 1PC28113CC413TA3 |               | SA-7        | 2095               | 1660 | 66.0    | 93.0            | 875  |       |
| 50  | 900  | 404HP | 575     | RGZVESD | 1PC28114AD313TA3 |               | SA-7        | 2370               | 1810 | 67.0    | 91.7            | 1290 |       |
| 60  | 3600 | 364HP | 575     | RGZVESD | 1PC28113CA312TA3 |               | SA-7        | 1410               | 1080 | 68.0    | 93.0            | 800  |       |
| 60  | 1800 | 364HP | 575     | RGZVESD | 1PC28113CB313TA3 |               | SA-7        | 1795               | 1435 | 71.0    | 93.6            | 800  |       |
| 60  | 1200 | 404HP | 575     | RGZVESD | 1PC28114AC313TA3 |               | SA-7        | 2155               | 1595 | 74.0    | 93.6            | 1290 |       |
| 60  | 900  | 405HP | 575     | RGZVESD | 1PC28114AD413TA3 |               | SA-7        | 2410               | 1770 | 78.0    | 91.7            | 1420 |       |
| 75  | 3600 | 365HP | 575     | RGZVESD | 1PC28113CA413TA3 |               | SA-7        | 1420               | 1070 | 85.0    | 93.0            | 875  |       |
| 75  | 1800 | 365HP | 575     | RGZVESD | 1PC28113CB413TA3 |               | SA-7        | 1815               | 1415 | 87.0    | 94.1            | 875  |       |
| 75  | 1200 | 405HP | 575     | RGZVESD | 1PC28114AC413TA3 |               | SA-7        | 2195               | 1555 | 93.0    | 93.6            | 1420 |       |
| 75  | 900  | 444HP | 575     | RGZVESD | 1PC28114HD113TA3 |               | SA-7        | 2495               | 1685 | 94.0    | 93.0            | 1740 |       |
| 100 | 3600 | 405HP | 575     | RGZVESD | 1PC28114AA413TA3 |               | SA-7        | 1475               | 1015 | 108.0   | 93.6            | 1420 |       |
| 100 | 1800 | 405HP | 575     | RGZVESD | 1PC28114AB413TA3 |               | SA-7        | 1915               | 1315 | 113.0   | 94.5            | 1420 |       |
| 100 | 1200 | 444HP | 575     | RGZVESD | 1PC28114HC113TA3 |               | SA-7        | 2315               | 1435 | 117.0   | 94.1            | 1740 |       |
| 100 | 900  | 445HP | 575     | RGZVESD | 1PC28114HD213TA3 |               | SA-7        | 2565               | 1615 | 123.0   | 93.0            | 1930 |       |
| 125 | 1800 | 444HP | 575     | RGZVESD | 1PC28114HB113TA3 |               | SA-7        | 1975               | 1255 | 143.0   | 94.5            | 1740 |       |
| 125 | 1200 | 445HP | 575     | RGZVESD | 1PC28114HC213TA3 |               | SA-7        | 2385               | 1365 | 144.0   | 94.1            | 1930 |       |
| 125 | 900  | 447HP | 575     | RGZVESD | 1PC28114HD313TA3 |               | SA-7        | 2670               | 1510 | 152.0   | 93.6            | 2280 |       |
| 150 | 1800 | 445HP | 575     | RGZVESD | 1PC28114HB213TA3 |               | SA-7        | 2060               | 1170 | 170.0   | 95.0            | 1930 |       |
| 150 | 1200 | 447HP | 575     | RGZVESD | 1PC28114HC313TA3 |               | SA-7        | 2400               | 1350 | 170.0   | 95.0            | 2280 |       |
| 150 | 900  | 447HP | 575     | RGZVESD | 1PC28114HD413TA3 |               | SA-7        | 2730               | 1450 | 186.0   | 93.6            | 2280 |       |
| 200 | 1800 | 447HP | 575     | RGZVESD | 1PC28114HB313TA3 |               | SA-7        | 2115               | 1115 | 225.0   | 95.0            | 2280 |       |
| 200 | 1200 | 449HP | 575     | RGZVESD | 1PC28114HC513TA3 |               | SA-7        | 2450               | 1300 | 226.0   | 95.0            | 2600 |       |
| 200 | 900  | 449HP | 575     | RGZVESD | 1PC28114HD613TA3 |               | SA-7        | 2800               | 1380 | 241.0   | 94.1            | 2600 |       |
| 250 | 1800 | 449HP | 575     | RGZVESD | 1PC28114HB513TA3 |               | SA-7        | 2185               | 1045 | 281.0   | 95.0            | 2600 |       |
| 250 | 1200 | 449HP | 575     | RGZVESD | 1PC28114HC613TA3 |               | SA-7        | 2520               | 1230 | 280.0   | 95.0            | 2600 |       |

QuikMOD Delivery for stocked motors only.  
 Stock availability subject to change.

Prices and Specifications are subject to change without notice.  
 DOE#CC032A



# SIMOTICS Definite purpose motors

## RGZVILESD – Vertical solid shaft

In-Line thrust

**RGZVILESD** motors are ideal for dependable and energy efficient operation in applications such as centrifugal and turbine pumps.



**3**  
YEAR  
WARRANTY



Down thrust: 735 to 1,550 lbs.  
Up thrust: 785 to 3,735 lbs.  
Radial thrust: 930 to 2,140 lbs.

|                          |  |  |
|--------------------------|--|--|
| HP range                 | Frame Size   | <b>3-250HP</b><br>182LP-449LP  |
| Efficiency               | Energy Efficient (NEMA MG1 Table 12-11)  | 182LP-449LP  |
| Voltage <sup>1)</sup>    | 208-230 / 460 V<br>230 / 460 V<br>460 V<br>575 V   | <b>3 phase 60Hz</b><br><br>3-20HP<br>25-250HP<br>3-250HP   |
| Insulation               | Insulation Class F<br>Service Factor @ 40°C<br>Temperature rise (Sine wave)                                      | <b>NEMA design B</b><br>NEMA MG1 Part 31<br>1.15<br>Class B @ 1.0SF<br>Class F @ 1.15SF                                    |
| Frame                    | Condensation drains<br>High strength carbon steel shaft<br>V ring slinger - IP54                                 | <b>Cast iron</b><br>T-drain<br>C1045<br>DE & NDE   |
| Stator/Windings rotor    | Stator<br>Rotor, die cast aluminum   | Random wound copper<br>182LP-449LP   |
| Conduit box (oversize)   | Cast iron<br>Neoprene gasket   | 182LP-449LP<br>182LP-449LP   |
| Bearings                 | Double shielded<br>Open<br>Bearing housing<br>Bearing housing / bearing cap<br>Grease<br>Inlet / relief fittings | 284LP-449LP<br>182LP-254LP (DE)<br>Cast iron<br>Cast iron / 182LP-449LP<br>Polyurea base<br>Alemite / plug<br>Bearing cape |
| Fan and fan cover        | Cast iron<br>Bidirectional fan   | 143LP-256LP<br>182LP-449LP<br>Polypropylene  |
| Hardware                 | Nameplate<br>Lifting eyebolt<br>Paint  | <b>Rust resistant</b><br>Stainless steel engraved<br>NA<br>Alkyd - RAL7030<br>Zinc plated<br>Epoxy enamel                  |
| Inverter duty            | Variable torque 20:1<br>Constant torque 4:1  | 182LP-449LP<br>182LP-449LP   |
| Hazardous classification | Service factor 1.0<br>Service factor 1.15  | NA   |

<sup>1)</sup> Standard voltage for stock items, see option selection and pricing section for additional voltages.

# SIMOTICS Definite purpose motors

## RGZVILESD – Vertical solid shaft

## In-Line thrust

460V 60Hz

| HP  | RPM  | Frame  | Voltage | Type      | Part Number      | List Price \$ | Mult. Symb. | Cont. Thrust LBS. |      |      | FL Amps | FL Nom Eff. (%) | Lbs  | Stock |
|-----|------|--------|---------|-----------|------------------|---------------|-------------|-------------------|------|------|---------|-----------------|------|-------|
|     |      |        |         |           |                  |               |             | Up                | Dwn  | Rdl. |         |                 |      |       |
| 3   | 3600 | 182LP  | 230/460 | RGZVILESD | 1PC28311DA416TA3 |               | SA-7EN      | 785               | 735  | 930  | 3.6     | 85.5            | 133  | ✓     |
| 3   | 1800 | 182LP  | 230/460 | RGZVILESD | 1PC28311DB416TA3 |               | SA-7EN      | 980               | 910  | 1160 | 3.9     | 87.5            | 133  | ✓     |
| 3   | 1200 | 213LP  | 230/460 | RGZVILESD | 1PC28312AC516TA3 |               | SA-7EN      | 1115              | 1055 | 1320 | 4.0     | 87.5            | 215  |       |
| 5   | 3600 | 184LP  | 230/460 | RGZVILESD | 1PC28311DA516TA3 |               | SA-7EN      | 785               | 735  | 930  | 5.8     | 87.5            | 144  | ✓     |
| 5   | 1800 | 184LP  | 230/460 | RGZVILESD | 1PC28311DB516TA3 |               | SA-7EN      | 980               | 910  | 1160 | 6.5     | 87.5            | 144  | ✓     |
| 5   | 1200 | 215LP  | 230/460 | RGZVILESD | 1PC28312AC616TA3 |               | SA-7EN      | 1120              | 1050 | 1320 | 6.8     | 87.5            | 160  |       |
| 7.5 | 3600 | 213LP  | 230/460 | RGZVILESD | 1PC28312AA516TA3 |               | SA-7EN      | 785               | 735  | 930  | 8.8     | 88.5            | 215  | ✓     |
| 7.5 | 1800 | 213LP  | 230/460 | RGZVILESD | 1PC28312AB516TA3 |               | SA-7EN      | 980               | 910  | 1160 | 9.5     | 89.5            | 215  | ✓     |
| 7.5 | 1200 | 254LP  | 230/460 | RGZVILESD | 1PC28312BC516TA3 |               | SA-7EN      | 1350              | 1240 | 1600 | 9.8     | 89.5            | 245  |       |
| 10  | 3600 | 215LP  | 230/460 | RGZVILESD | 1PC28312AA616TA3 |               | SA-7EN      | 790               | 730  | 930  | 12.0    | 89.5            | 160  | ✓     |
| 10  | 1800 | 215LP  | 230/460 | RGZVILESD | 1PC28312AB616TA3 |               | SA-7EN      | 985               | 905  | 1160 | 12.5    | 89.5            | 160  | ✓     |
| 10  | 1200 | 256LP  | 230/460 | RGZVILESD | 1PC28312BC616TA3 |               | SA-7EN      | 1360              | 1230 | 1600 | 13.0    | 89.5            | 330  |       |
| 15  | 3600 | 254LP  | 230/460 | RGZVILESD | 1PC28312BA516TA3 |               | SA-7EN      | 945               | 855  | 1100 | 17.0    | 90.2            | 245  | ✓     |
| 15  | 1800 | 254LP  | 230/460 | RGZVILESD | 1PC28312BB516TA3 |               | SA-7EN      | 1185              | 1075 | 1400 | 18.7    | 91.0            | 245  | ✓     |
| 15  | 1200 | 284LPH | 230/460 | RGZVILESD | 1PC28312EC116TA3 |               | SA-7EN      | 1975              | 1785 | 2120 | 20.0    | 90.2            | 375  |       |
| 20  | 3600 | 256LP  | 230/460 | RGZVILESD | 1PC28312BA616TA3 |               | SA-7EN      | 950               | 850  | 1100 | 23.0    | 90.2            | 285  | ✓     |
| 20  | 1800 | 256LP  | 230/460 | RGZVILESD | 1PC28312BB616TA3 |               | SA-7EN      | 1200              | 1060 | 1400 | 26.0    | 91.0            | 285  | ✓     |
| 20  | 1200 | 286LPH | 230/460 | RGZVILESD | 1PC28312EC416TA3 |               | SA-7EN      | 1990              | 1770 | 2120 | 26.0    | 90.2            | 520  |       |
| 25  | 3600 | 284LPH | 460     | RGZVILESD | 1PC28312EA112TA3 |               | SA-7EN      | 1460              | 1320 | 1475 | 29.0    | 91.0            | 375  | ✓     |
| 25  | 1800 | 284LPH | 460     | RGZVILESD | 1PC28312EB112TA3 |               | SA-7EN      | 1725              | 1535 | 1850 | 29.0    | 92.4            | 375  | ✓     |
| 25  | 1200 | 324LP  | 460     | RGZVILESD | 1PC28313AC512TA3 |               | SA-7EN      | 2010              | 1750 | 1875 | 33.0    | 91.7            | 565  |       |
| 30  | 3600 | 286LPH | 460     | RGZVILESD | 1PC28312EA412TA3 |               | SA-7EN      | 1470              | 1310 | 1475 | 34.0    | 91.0            | 430  | ✓     |
| 30  | 1800 | 286LPH | 460     | RGZVILESD | 1PC28312EB412TA3 |               | SA-7EN      | 1740              | 1520 | 1850 | 35.0    | 92.4            | 430  | ✓     |
| 30  | 1200 | 326LP  | 460     | RGZVILESD | 1PC28313AC612TA3 |               | SA-7EN      | 2035              | 1725 | 1875 | 39.0    | 91.7            | 600  |       |
| 40  | 3600 | 324LP  | 460     | RGZVILESD | 1PC28313AA512TA3 |               | SA-7EN      | 1490              | 1290 | 1600 | 45.0    | 91.7            | 565  | ✓     |
| 40  | 1800 | 324LP  | 460     | RGZVILESD | 1PC28313AB512TA3 |               | SA-7EN      | 1770              | 1490 | 1650 | 47.0    | 93.0            | 565  | ✓     |
| 40  | 1200 | 364LP  | 460     | RGZVILESD | 1PC28313CC512TA3 |               | SA-7EN      | 2540              | 2140 | 2120 | 52.0    | 93.0            | 800  |       |
| 50  | 3600 | 326LP  | 460     | RGZVILESD | 1PC28313AA612TA3 |               | SA-7EN      | 1505              | 1275 | 1600 | 55.0    | 92.4            | 600  | ✓     |
| 50  | 1800 | 326LP  | 460     | RGZVILESD | 1PC28313AB612TA3 |               | SA-7EN      | 1785              | 1475 | 1650 | 58.0    | 93.0            | 600  | ✓     |
| 50  | 1200 | 365LP  | 460     | RGZVILESD | 1PC28313CC612TA3 |               | SA-7EN      | 2560              | 2120 | 2120 | 66.0    | 93.0            | 875  |       |
| 60  | 3600 | 364LP  | 460     | RGZVILESD | 1PC28313CA512TA3 |               | SA-7EN      | 1840              | 1510 | 1475 | 68.0    | 93.0            | 800  | ✓     |
| 60  | 1800 | 364LP  | 460     | RGZVILESD | 1PC28313CB512TA3 |               | SA-7EN      | 2330              | 2060 | 1850 | 71.0    | 93.6            | 800  | ✓     |
| 60  | 1200 | 404LP  | 460     | RGZVILESD | 1PC28314AC512TA3 |               | SA-7EN      | 2620              | 2060 | 2120 | 74.0    | 93.6            | 1290 |       |
| 75  | 3600 | 365LP  | 460     | RGZVILESD | 1PC28313CA612TA3 |               | SA-7EN      | 1850              | 1500 | 1475 | 85.0    | 93.0            | 875  | ✓     |
| 75  | 1800 | 365LP  | 460     | RGZVILESD | 1PC28313CB612TA3 |               | SA-7EN      | 2345              | 1945 | 1850 | 87.0    | 94.1            | 875  | ✓     |
| 75  | 1200 | 405LP  | 460     | RGZVILESD | 1PC28314AC612TA3 |               | SA-7EN      | 2660              | 2020 | 2120 | 93.0    | 93.6            | 1300 |       |
| 100 | 3600 | 405LP  | 460     | RGZVILESD | 1PC28314AA612TA3 |               | SA-7EN      | 1905              | 1445 | 1475 | 108.0   | 93.6            | 1300 | ✓     |
| 100 | 1800 | 405LP  | 460     | RGZVILESD | 1PC28314AB612TA3 |               | SA-7EN      | 2445              | 1845 | 1850 | 113.0   | 94.5            | 1300 | ✓     |
| 100 | 1200 | 444LP  | 460     | RGZVILESD | 1PC28314JC112TA3 |               | SA-7EN      | 2780              | 1900 | 2120 | 117.0   | 94.1            | 1740 |       |
| 125 | 1800 | 444LP  | 460     | RGZVILESD | 1PC28314JB112TA3 |               | SA-7EN      | 2530              | 1760 | 1850 | 143.0   | 94.5            | 1740 |       |
| 125 | 1200 | 445LP  | 460     | RGZVILESD | 1PC28314JC212TA3 |               | SA-7EN      | 2850              | 1830 | 2120 | 144.0   | 94.1            | 1930 |       |
| 150 | 1800 | 445LP  | 460     | RGZVILESD | 1PC28314JB212TA3 |               | SA-7EN      | 2590              | 1700 | 1850 | 170.0   | 95.0            | 1930 |       |
| 150 | 1200 | 447LP  | 460     | RGZVILESD | 1PC28314JC312TA3 |               | SA-7EN      | 2945              | 1735 | 2120 | 170.0   | 95.0            | 2280 |       |
| 200 | 1800 | 447LP  | 460     | RGZVILESD | 1PC28314JB312TA3 |               | SA-7EN      | 2650              | 1645 | 1850 | 225.0   | 95.0            | 2280 |       |
| 200 | 1200 | 449LP  | 460     | RGZVILESD | 1PC28314JC512TA3 |               | SA-7EN      | 3040              | 1640 | 2120 | 226.0   | 95.0            | 2600 |       |
| 250 | 1800 | 449LP  | 460     | RGZVILESD | 1PC28314JB512TA3 |               | SA-7EN      | 2710              | 1590 | 1850 | 281.0   | 95.0            | 2600 |       |
| 250 | 1200 | 449LP  | 460     | RGZVILESD | 1PC28314JC612TA3 |               | SA-7EN      | 3735              | 1550 | 2120 | 280.0   | 95.0            | 2600 |       |

QuikMOD Delivery for stocked motors only.  
 Stock availability subject to change.  
 Prices and Specifications are subject to change without notice.

# SIMOTICS Definite purpose motors

## RGZVILESD – Vertical solid shaft

## In-Line thrust

575V 60Hz

| HP  | RPM  | Frame  | Voltage | Type      | Part Number      | List Price \$ | Mult. Symb. | Cont. Thrust LBS. |      |      | FL Amps | FL Nom Eff. (%) | Lbs  | Stock |
|-----|------|--------|---------|-----------|------------------|---------------|-------------|-------------------|------|------|---------|-----------------|------|-------|
|     |      |        |         |           |                  |               |             | Up                | Dwn  | Rdl. |         |                 |      |       |
| 3   | 3600 | 182LP  | 575     | RGZVILESD | 1PC28311DA413TA3 |               | SA-7EN      | 785               | 735  | 930  | 3.6     | 85.5            | 133  |       |
| 3   | 1800 | 182LP  | 575     | RGZVILESD | 1PC28311DB413TA3 |               | SA-7EN      | 980               | 910  | 1160 | 3.9     | 87.5            | 133  |       |
| 3   | 1200 | 213LP  | 575     | RGZVILESD | 1PC28312AC513TA3 |               | SA-7EN      | 1115              | 1055 | 1320 | 4.0     | 87.5            | 215  |       |
| 5   | 3600 | 184LP  | 575     | RGZVILESD | 1PC28311DA513TA3 |               | SA-7EN      | 785               | 735  | 930  | 5.8     | 87.5            | 144  |       |
| 5   | 1800 | 184LP  | 575     | RGZVILESD | 1PC28311DB513TA3 |               | SA-7EN      | 980               | 910  | 1160 | 6.5     | 87.5            | 144  |       |
| 5   | 1200 | 215LP  | 575     | RGZVILESD | 1PC28312AC613TA3 |               | SA-7EN      | 1120              | 1050 | 1320 | 6.8     | 87.5            | 160  |       |
| 7.5 | 3600 | 213LP  | 575     | RGZVILESD | 1PC28312AA513TA3 |               | SA-7EN      | 785               | 735  | 930  | 8.8     | 88.5            | 215  |       |
| 7.5 | 1800 | 213LP  | 575     | RGZVILESD | 1PC28312AB513TA3 |               | SA-7EN      | 980               | 910  | 1160 | 9.5     | 89.5            | 215  |       |
| 7.5 | 1200 | 254LP  | 575     | RGZVILESD | 1PC28312BC513TA3 |               | SA-7EN      | 1350              | 1240 | 1600 | 9.8     | 89.5            | 245  |       |
| 10  | 3600 | 215LP  | 575     | RGZVILESD | 1PC28312AA613TA3 |               | SA-7EN      | 790               | 730  | 930  | 12.0    | 89.5            | 160  |       |
| 10  | 1800 | 215LP  | 575     | RGZVILESD | 1PC28312AB613TA3 |               | SA-7EN      | 985               | 905  | 1160 | 12.5    | 89.5            | 160  |       |
| 10  | 1200 | 256LP  | 575     | RGZVILESD | 1PC28312BC613TA3 |               | SA-7EN      | 1360              | 1230 | 1600 | 13.0    | 89.5            | 330  |       |
| 15  | 3600 | 254LP  | 575     | RGZVILESD | 1PC28312BA513TA3 |               | SA-7EN      | 945               | 855  | 1100 | 17.0    | 90.2            | 245  |       |
| 15  | 1800 | 254LP  | 575     | RGZVILESD | 1PC28312BB513TA3 |               | SA-7EN      | 1185              | 1075 | 1400 | 18.7    | 91.0            | 245  |       |
| 15  | 1200 | 284LPH | 575     | RGZVILESD | 1PC28312EC113TA3 |               | SA-7EN      | 1975              | 1785 | 2120 | 20.0    | 90.2            | 375  |       |
| 20  | 3600 | 256LP  | 575     | RGZVILESD | 1PC28312BA613TA3 |               | SA-7EN      | 950               | 850  | 1100 | 23.0    | 90.2            | 285  |       |
| 20  | 1800 | 256LP  | 575     | RGZVILESD | 1PC28312BB613TA3 |               | SA-7EN      | 1200              | 1060 | 1400 | 26.0    | 91.0            | 285  |       |
| 20  | 1200 | 286LPH | 575     | RGZVILESD | 1PC28312EC413TA3 |               | SA-7EN      | 1990              | 1770 | 2120 | 26.0    | 90.2            | 520  |       |
| 25  | 3600 | 284LPH | 575     | RGZVILESD | 1PC28312EA113TA3 |               | SA-7EN      | 1460              | 1320 | 1475 | 29.0    | 91.0            | 375  |       |
| 25  | 1800 | 284LPH | 575     | RGZVILESD | 1PC28312EB113TA3 |               | SA-7EN      | 1725              | 1535 | 1850 | 29.0    | 92.4            | 375  |       |
| 25  | 1200 | 324LP  | 575     | RGZVILESD | 1PC28313AC513TA3 |               | SA-7EN      | 2010              | 1750 | 1875 | 33.0    | 91.7            | 565  |       |
| 30  | 3600 | 286LPH | 575     | RGZVILESD | 1PC28312EA413TA3 |               | SA-7EN      | 1470              | 1310 | 1475 | 34.0    | 91.0            | 430  |       |
| 30  | 1800 | 286LPH | 575     | RGZVILESD | 1PC28312EB413TA3 |               | SA-7EN      | 1740              | 1520 | 1850 | 35.0    | 92.4            | 430  |       |
| 30  | 1200 | 326LP  | 575     | RGZVILESD | 1PC28313AC613TA3 |               | SA-7EN      | 2035              | 1725 | 1875 | 39.0    | 91.7            | 600  |       |
| 40  | 3600 | 324LP  | 575     | RGZVILESD | 1PC28313AA513TA3 |               | SA-7EN      | 1490              | 1290 | 1600 | 45.0    | 91.7            | 565  |       |
| 40  | 1800 | 324LP  | 575     | RGZVILESD | 1PC28313AB513TA3 |               | SA-7EN      | 1770              | 1490 | 1650 | 47.0    | 93.0            | 565  |       |
| 40  | 1200 | 364LP  | 575     | RGZVILESD | 1PC28313CC513TA3 |               | SA-7EN      | 2540              | 2140 | 2120 | 52.0    | 93.0            | 800  |       |
| 50  | 3600 | 326LP  | 575     | RGZVILESD | 1PC28313AA613TA3 |               | SA-7EN      | 1505              | 1275 | 1600 | 55.0    | 92.4            | 600  |       |
| 50  | 1800 | 326LP  | 575     | RGZVILESD | 1PC28313AB613TA3 |               | SA-7EN      | 1785              | 1475 | 1650 | 58.0    | 93.0            | 600  |       |
| 50  | 1200 | 365LP  | 575     | RGZVILESD | 1PC28313CC613TA3 |               | SA-7EN      | 2560              | 2120 | 2120 | 66.0    | 93.0            | 875  |       |
| 60  | 3600 | 364LP  | 575     | RGZVILESD | 1PC28313CA513TA3 |               | SA-7EN      | 1840              | 1510 | 1475 | 68.0    | 93.0            | 800  |       |
| 60  | 1800 | 364LP  | 575     | RGZVILESD | 1PC28313CB513TA3 |               | SA-7EN      | 2330              | 2060 | 1850 | 71.0    | 93.6            | 800  |       |
| 60  | 1200 | 404LP  | 575     | RGZVILESD | 1PC28314AC513TA3 |               | SA-7EN      | 2620              | 2060 | 2120 | 74.0    | 93.6            | 1290 |       |
| 75  | 3600 | 365LP  | 575     | RGZVILESD | 1PC28313CA613TA3 |               | SA-7EN      | 1850              | 1500 | 1475 | 85.0    | 93.0            | 875  |       |
| 75  | 1800 | 365LP  | 575     | RGZVILESD | 1PC28313CB613TA3 |               | SA-7EN      | 2345              | 1945 | 1850 | 87.0    | 94.1            | 875  |       |
| 75  | 1200 | 405LP  | 575     | RGZVILESD | 1PC28314AC613TA3 |               | SA-7EN      | 2660              | 2020 | 2120 | 93.0    | 93.6            | 1300 |       |
| 100 | 3600 | 405LP  | 575     | RGZVILESD | 1PC28314AA613TA3 |               | SA-7EN      | 1905              | 1445 | 1475 | 108.0   | 93.6            | 1300 |       |
| 100 | 1800 | 405LP  | 575     | RGZVILESD | 1PC28314AB613TA3 |               | SA-7EN      | 2445              | 1845 | 1850 | 113.0   | 94.5            | 1300 |       |
| 100 | 1200 | 444LP  | 575     | RGZVILESD | 1PC28314JC113TA3 |               | SA-7EN      | 2780              | 1900 | 2120 | 117.0   | 94.1            | 1740 |       |
| 125 | 1800 | 444LP  | 575     | RGZVILESD | 1PC28314JB113TA3 |               | SA-7EN      | 2530              | 1760 | 1850 | 143.0   | 94.5            | 1740 |       |
| 125 | 1200 | 445LP  | 575     | RGZVILESD | 1PC28314JC213TA3 |               | SA-7EN      | 2850              | 1830 | 2120 | 144.0   | 94.1            | 1930 |       |
| 150 | 1800 | 445LP  | 575     | RGZVILESD | 1PC28314JB213TA3 |               | SA-7EN      | 2590              | 1700 | 1850 | 170.0   | 95.0            | 1930 |       |
| 150 | 1200 | 447LP  | 575     | RGZVILESD | 1PC28314JC313TA3 |               | SA-7EN      | 2945              | 1735 | 2120 | 170.0   | 95.0            | 2280 |       |
| 200 | 1800 | 447LP  | 575     | RGZVILESD | 1PC28314JB313TA3 |               | SA-7EN      | 2650              | 1645 | 1850 | 225.0   | 95.0            | 2280 |       |
| 200 | 1200 | 449LP  | 575     | RGZVILESD | 1PC28314JC513TA3 |               | SA-7EN      | 3040              | 1640 | 2120 | 226.0   | 95.0            | 2600 |       |
| 250 | 1800 | 449LP  | 575     | RGZVILESD | 1PC28314JB513TA3 |               | SA-7EN      | 2710              | 1590 | 1850 | 281.0   | 95.0            | 2600 |       |
| 250 | 1200 | 449LP  | 575     | RGZVILESD | 1PC28314JC613TA3 |               | SA-7EN      | 3735              | 1550 | 2120 | 280.0   | 95.0            | 2600 |       |

QuikMOD Delivery for stocked motors only.  
 Stock availability subject to change.  
 Prices and Specifications are subject to change without notice.



# Special features detail



## SIMOTICS NEMA Motors Modifications



# Special features detail

Siemens offers a wide selection of options to increase the suitability of our motors to the specific customer needs. They are classified in three different categories:

## QM = QuikMOD

Siemens QuikMOD program provides “quik” deliveries for a wide selection of motor modifications directly from our modification center in Southaven MS.

## MOD = Modification:

The modifications under this program are more complex in nature or require certain level of review before the modification can take place. Delivery time is built as a commitment between efficient engineering work and performance on the floor, typically less than 2 weeks.

## Custom:

Siemens can build your motor to your specific needs, all you have to do is pick the right option.

Custom option, Modifications and QuikMOD selections can be combined to fulfill your needs. Please contact Siemens for your specific delivery.

## Definitions:

**Part Number** – Consists of a combination of 16 figures and letters structured to describe the characteristics of the NEMA motor for order entry. Please refer to Section 1 for the complete part numbering system.

**Example:** 1LE21212AB214AA3 - GP100A, 10HP, 1800RPM, 208-230/460V, 215T, horizontal foot-mounted

## Part Number Positioning

| 1 | 2 | 3 | 4 | 5 | 6 | 7 | 8 | 9 | 10 | 11 | 12 | 13 | 14 | 15 | 16 |
|---|---|---|---|---|---|---|---|---|----|----|----|----|----|----|----|
| 1 | L | E | 2 | 1 | 1 | 1 | 2 | A | A  | 2  | 1  | 4  | A  | A  | 3  |

**Order Code** – Figures or letters describing the **QuikMOD** or **Custom Option**.

**Order Code Position** – The position within the **Part Number** that the QuikMOD or Custom Option **Order Code** would be added.

## Ordering Instructions:

1. Select a stock motor from the **Motor Selection and Pricing Section**. (Note Part Number)
2. **Verify applicability of desired Option(s) at the end of the section**. (Per motor type and frame)
3. **Select applicable Option(s)**. (Note Order Code, Order Code Position and List Price Adder)
4. **Construct new Part Number and List Price**. (See example below)
  - a. If the **Order Code Position** is 12, 13, 14, 15 or 16, replace the figure(s) or letter(s) at the same position in the stock motor **Part Number** with the **Custom Option Order Code**.
  - b. If the **Option Order Code Position** is Z, add a '-Z' to the end of the stock motor **Part Number**. Then add a '+' sign followed by the **Custom Option Order Code**.

## Custom Options combined with QuikMOD Motor Pricing Example:

**Example:** 15HP, 1800RPM, 208-230/460V, 254T, SD100, Copper Rotor, D-flange with feet, PTC thermistors (3 embedded temperature sensors for tripping) with conduit to main box and Class H insulation.

|                             |                |   |
|-----------------------------|----------------|---|
| <b>Base List Price:</b>     | \$2,131        | Part Number 1LE23112BB114AA3                          |
| <b>List Price Adders:</b>   |                |   |
| <b>D-Flange with Feet</b>   | \$ 774         | Order Code <b>F</b> , Order Code Position <b>14</b>   |
| <b>PTC Thermistors</b>      | \$ 634         | Order Code <b>B</b> , Order Code Position <b>15</b>   |
| <b>Condulet to Main Box</b> | \$ 251         | Order Code <b>J02</b> , Order Code Position <b>Z</b>  |
| <b>Class H Insulation</b>   | <u>\$ 157</u>  | Order Code <b>C00</b> , Order Code Position <b>Z</b>  |
| <b>Total List Price:</b>    | <b>\$3,947</b> | <b>New Part Number</b> – 1LE23112BB114FB3-Z + J02+C00 |
| <b>Delivery:</b>            |                | Please contact Siemens for delivery                   |



# Special features detail

## Altitude

TEFC (General Purpose & Severe Duty) motors with a 1.15 service factor in a 40°C ambient at 3300 feet will operate at a 1.0 service factor in a 40°C ambient at altitudes up to 9900 feet. For altitudes greater than 9900 feet, please consult Siemens.

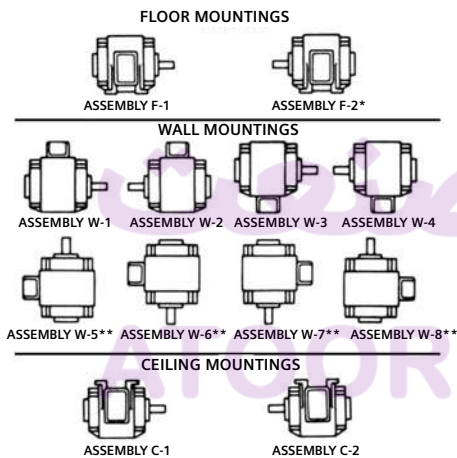
Standard motors will operate at their rated service factor at altitudes above 3300 feet at the corresponding ambient temperatures as shown in the following table.

| Maximum Altitude in Feet | Ambient Temperature |
|--------------------------|---------------------|
| 3300 ft (1000m)          | 40°C (104°F)        |
| 6600 ft (2000m)          | 30°C (56°F)         |
| 9900 ft (3000m)          | 20°C (68°F)         |

## Ambient

TEFC (General Purpose & Severe Duty) motors with a 1.15 service factor in a 40°C ambient at 3300 feet will operate at a 1.0 service factor at 3300 feet altitude up to a 55°C ambient. For ambients greater than 55°C or below -25°C, please consult Siemens.

## Assembly - Mounting and Terminal Box Position



Assembly F-1, W-3, W-6, W-8 and C-2 – Standard Lead Location  
 Assembly F-2, W-1, W-4, W-5, W-7 and C-1 – Lead Location Opposite Standard

Siemens SIMOTICS motors can be furnished in assemblies shown. When motors are ordered according to a particular mounting, bearing brackets are assembled and grease fittings are properly installed for operation with the motor in the position shown. However, no attempt is made to locate fittings on any particular side of the motor.

### CAUTION:

\*\* Horizontal ball bearing motors assembly W-5, W-6, W-7 and W-8 are not suitable for external thrust in excess of the weight of the rotor and half-coupling.

# Special features detail

## Hardware

Stainless steel hardware, limited to bearing housing bolts, terminal housing bolts, and breather drains only.

## Hazardous Duty – Rerate

SIMOTICS motor type XP100 (Class I, Group C&D, Class II, Groups F & G, Division 1) with 1.0 service factor can be re-nameplated to 1.15 service factor for 140-250 frame motors only.

## Frequency Change

The following tabulation shows the synchronous speeds 60 Hertz 50 Hertz. For different frequencies or adjustable frequency applications, contact Siemens.

To derate a continuous duty 60 hertz motor to a continuous 50 hertz motor, use the modifiable list price of the next larger HP 60 hertz motor and add the list price as shown in the table. Motor will be Class F, 1.15 service factor.

## Service Factor

For non-standard service factor, contact Siemens.

## Space Heaters

Leads marked H1 & H2

List price addition covers space heaters installed in motors with leads terminated in the main conduit box. NEC (2011) requires any Division 2 motor that is not agency certified and is a general purpose non-explosion enclosure to permanently mark on a visible nameplate on the motor surface the max surface temp based on 40°C ambient – this plate will show 200°C.

CAUTION: Use in Division 2 areas with ignition temperatures below 250°C ( $250 \times .80 = 200$ ) should be avoided. [Reference: 501-8(b)].

| No. of Poles | Speed (RPM) |          |
|--------------|-------------|----------|
|              | 60 Hertz    | 50 Hertz |
| 2            | 3600        | 3000     |
| 4            | 1800        | 1500     |
| 6            | 1200        | 1000     |
| 8            | 900         | 750      |

For hazardous duty motors, contact Siemens.



# Special features detail

## Balance

All SIMOTICS motors are dynamically balanced to commercial limits measure in accordance with NEMA MG1-12.06.

Modified motors can be built to exceed standard commercial limits based on Table 1 below.

## Balance Limits

Maximum amplitude, inches, peak to peak

| Balance     | NEMA     | Precision | Extra Precision |          |      |      |
|-------------|----------|-----------|-----------------|----------|------|------|
|             |          |           |                 |          |      |      |
| RPM         | 143T     | 143T      | 364T            | 143T     | 284T | 364T |
|             | 449T     | 326T      | 449T            | 256T     | 326T | 449T |
|             | mils P/P | mils P/P  |                 | mils P/P |      |      |
| 0 - 999     | 2.5      | 0.5       | 0.75            | 0.2      | 0.3  | 0.4  |
| 1000 - 1999 | 2.0      | 0.5       | 0.75            | 0.2      | 0.3  | 0.4  |
| 2000 - 2999 | 1.5      | 0.5       | 0.75            | 0.2      | 0.3  | 0.4  |
| 3000 - 4000 | 1.0      | 0.5       | 0.75            | 0.2      | 0.3  | 0.4  |

Velocity, inches, inches/seconds

| Balance     | NEMA   | Precision | Extra Precision |        |        |        |
|-------------|--------|-----------|-----------------|--------|--------|--------|
|             |        |           |                 |        |        |        |
| RPM         | 143T   | 143T      | 364T            | 143T   | 284T   | 364T   |
|             | 449T   | 326T      | 449T            | 256T   | 326T   | 449T   |
|             | in/sec | in/sec    |                 | in/sec |        |        |
| 0 - 999     | 0.1308 | 0.0262    | 0.0392          | 0.1050 | 0.0157 | 0.0209 |
| 1000 - 1999 | 0.2093 | 0.0523    | 0.0785          | 0.0209 | 0.0314 | 0.0419 |
| 2000 - 2999 | 0.2355 | 0.0785    | 0.1178          | 0.0314 | 0.0471 | 0.0628 |
| 3000 - 4000 | 0.2094 | 0.1047    | 0.1571          | 0.0419 | 0.0628 | 0.0838 |

NOTE: IN P-P refers to amplitude displacement.

NEMA unfiltered velocity limit 0.15 in/s peak.

IEEE Std 841 unfiltered velocity limit 0.08 in/s peak.

NOTE: For balance limits greater than Precision balance, contact factory.

## Bearings

Insulated bearings are only available as sealed bearings.

Motors having roller bearings (444T to 449T) require a minimum radial load. Use of these motors in direct connected applications is discouraged to avoid excessive drive end bearing noise and/or reduced bearing life.

## Connections

**Part Winding Start** - Starting torques are reduced at the motor shaft.

**Wye Start - Delta Run** - Starting torques are reduced at the motor shaft.

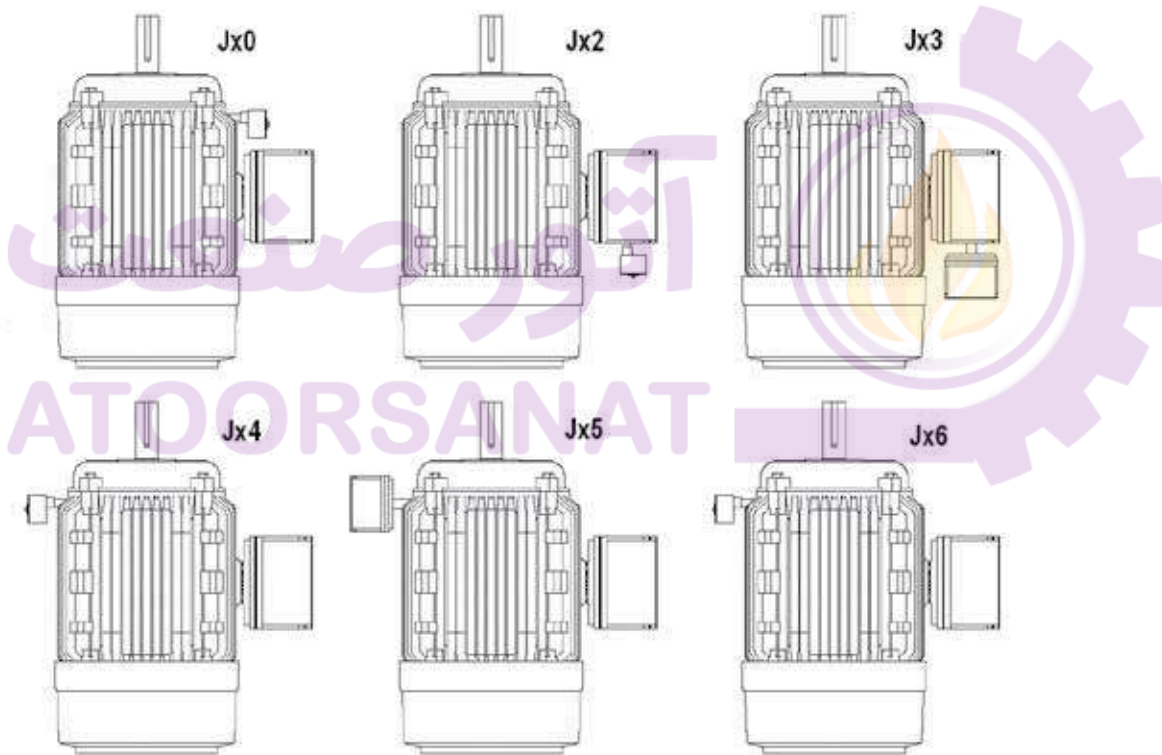
Standard 50 hertz voltages are 220, 380, 400, 415, 440, 550 and 220/380.

Standard 60 hertz voltages are 200, 230, 460, 575 and 230/460.

# Special features detail

## Auxiliary Boxes

|                           | Condulet - Main Box side | Condulet to Main Box | Auxiliary Box to Main Box | Condulet - opposite to Main Box | Auxiliary Box - Opposite of Main Box | Explosion Proof Condulet - Opposite of Main Box |
|---------------------------|--------------------------|----------------------|---------------------------|---------------------------------|--------------------------------------|---|
| PTC Thermistors           | J00                      | J02                  | J03                       | J04                             | J05                                  | J06   |
| Thermostats               | J10                      | J12                  | J13                       | J14                             | J15                                  | J16   |
| KTY84 Temperature Sensors | J20                      | J22                  | J23                       | J24                             | J25                                  | J26   |
| Space Heaters             | J50                      | J52                  | J53                       | J54                             | J55                                  | J56   |



### Couplings – Customer Supplied

Rigid couplings, flexible couplings, pinions and V-belt sheaves can be pressed on at List Price adders per the table below. Couplings, pinions or sheaves must be finish bored and key-seated to Siemens SIMOTICS shaft dimensions and must be shipped to the plant freight prepaid.

# Special features detail

## Hazardous Duty Motors

### Class I:

- Gr. B Hydrogen (not available)
- Gr. C Atmospheres containing ethyl and ether vapor
- Gr. D Atmospheres containing gasoline, petroleum, naphtha, alcohols, acetone lacquer solvent vapors and natural gas.

### Class II:

- Gr. E Atmospheres containing metal dust
- Gr. F Atmospheres containing carbon black, coal or coke dust.
- Gr. G Atmospheres containing grain dust.

For de-rate of XP100 motors, please consult factory.

## Paint

### Siemens standard finish paint consists of the following:

Modified Alkyd.

**Viscosity:** 28-30 seconds No.2 Zahn cup @ 77°F

**Fineness:** 7 N.S. units Hegeman gage

**Adhesion:** 90% Cross-hatch test (tape)

**Impact resistance:** 40 inch pounds direct - No cracks

**Composition:** Lead and Chromate free

**Color:** RAL 7030 stone gray

## Protective Devices

### Winding Protection

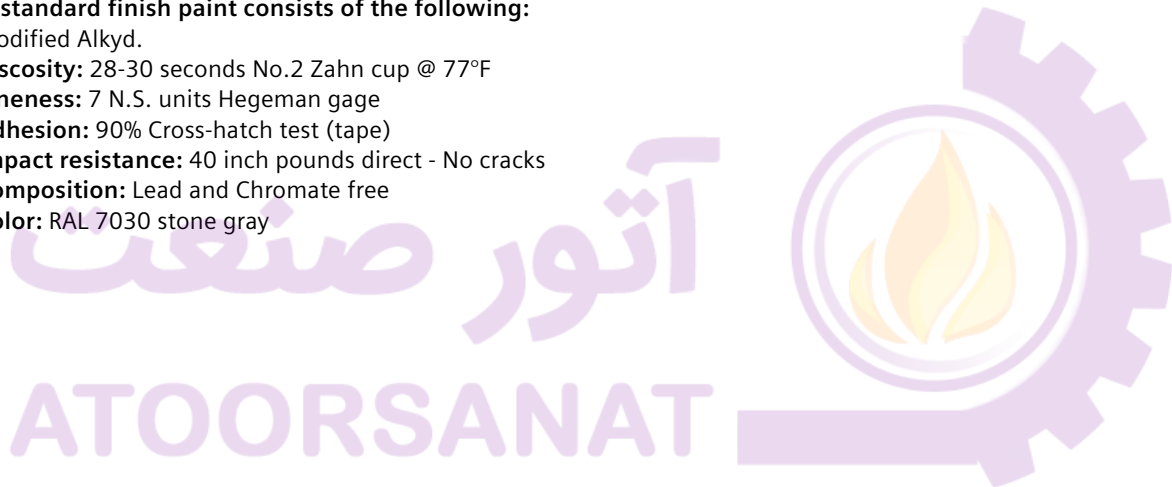
Control Modules are available for thermistors. Order Code A90. Add \$725 List. Shipped loose for customer installation.

Price does not include temperature readout devices. Contact factory for other resistance values.

Thermistors – leads marked PM1 & PM2

### Bearing Protection

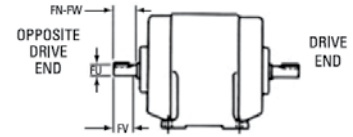
Price does not include temperature readout devices. Contact factory for other resistance values.



# Special features detail

## Shafts

Standard dimensions are shown in the Dimensions section. The following opposite drive end standard double-end shafts are available as custom built motors. Shaft dimensions not shown should be referred to your Siemens Representative for quotation.



## Double-End Shafts, Standard Steel – Drive End Standard – Opposite Drive End as Follows

| Frame    | FU    | Key       | Order Code - M53          |      |            | Order Code - M52         |      |            |
|----------|-------|-----------|---------------------------|------|------------|--------------------------|------|------------|
|          |       |           | NEMA Standard Short Shaft |      |            | NEMA Standard Long Shaft |      |            |
|          |       |           | FN-FW                     | FV   | Key Length | FN-FW                    | FV   | Key Length |
| 143-145T | 0.625 | 0.188     | -                         | -    | -          | 162                      | 1.38 | 0.91       |
| 182-184T | 0.875 | 0.188     | -                         | -    | -          | 2.25                     | 2.00 | 1.41       |
| 213-215T | 1.125 | 0.25-0.25 | -                         | -    | -          | 2.75                     | 2.50 | 1.75       |
| 254-156T | 1.375 | .312-.312 | -                         | -    | -          | 3.37                     | 3.12 | 2.37       |
| 284-286T | 1.625 | .375-.375 | 3.25                      | 3    | 1.87       | 4                        | 3.75 | 2.87       |
| 324-326T | 1.875 | .50-.50   | 3.75                      | 3.50 | 2          | 4.62                     | 4.37 | 3.25       |
| 364-365T | 1.875 | .50-.50   | 3.75                      | 3.50 | 2          | 4.62                     | 4.37 | 3.25       |
| 404-405T | 2.125 | .50-.50   | 4.25                      | 4    | 2.75       | 5.25                     | 5    | 3.87       |
| 444-449T | 2.375 | .625-.625 | 4.75                      | 4.50 | 3          | 5.87                     | 5.62 | 4.25       |

## Testing

### Complete Test

Complete test consists of the following items tested in accordance with NEMA and IEEE-112 test standards.

- Full Load Heat Run
- Temperature Rise at F.L.
- Winding Resistance
- Rated F.L. Slip
- No Load Current
- Breakdown Torque
- Locked Rotor Torque-Amps
- High Potential Tests
- Efficiencies @ 100, 75, 50 Percent Load
- Power Factor @ 100, 75, 50 Percent Load

Test report of complete test is based on IEEE Std. Form A-2 and includes complete nameplate information.

### Routine Test

Routine test consists of the following items tested in accordance with IEEE standard 112.

- No Load Current
- No Load Speed
- Locked-Rotor Current
- Winding Resistance
- High Potential
- Bearings/Vibration Check

Vibration data is NOT recorded with a routine test. If required, please add.

Test report of routine test is based on IEEE Std. 112 Form A-1 and includes complete nameplate information.

### Calibration Tests

Calibration tests consist of 0-125% rated load test measurement of speed, torque, current, power factor and efficiency, at rated voltage. Data is curve rated voltage. Data is curve plotted, on Siemens standard format. Foot mounted motors only.

### Special Tests

For tests or reporting format other than those listed below, contact Siemens with complete specification, for price additions.

Customers will be notified approximately 2 weeks before witnessed testing.

Refer to Siemens for prices of test reports for adjustable speed drives.

Multispeed motor test reports are priced based upon the number of speeds tested.

List prices are at the following percentage of the single speed price:

One speed tested 100%      Two speeds tested 150%

Pricing: Five copies of each test report are provided on 8.5" x 11" paper suitable for reproduction.

Additional copies are available for \$55 List per copy.

### Vertical Jacking Provisions

This option is provided on foot mounted motors only. It is used to assist the installer in proper alignment of the motor shaft with the driven piece of equipment for shimming purposes. Siemens will provide the tapped hole (one per foot), four per motor. A 1/2-13 UNC threaded hole will be provided on 280T frame, a 3/4-10 UNC threaded hole on 320T-360T and a 7/8-14 UNF threaded hole on 400T-440T frames. The customer is responsible for providing the bolts.

# Special features detail

## V-belt sheave

## Recommended sheave diameters

| HP  | RPM  | Frame  | Narrow V <sup>1</sup><br>Min. dia. | Std. V <sup>2</sup><br>Min. dia. |
|-----|------|--------|------------------------------------|----------------------------------|
| 50  | 900  | 404T   | 8.4                                | 9.0                              |
| 60  | 1800 | 364T   | 7.4                                | 7.4                              |
| 60  | 1200 | 404T   | 8.0                                | 9.0                              |
| 60  | 900  | 405T   | 10.0                               | 10.0                             |
| 75  | 1800 | 365T   | 8.6                                | 9.0                              |
| 75  | 1200 | 405T   | 10.0                               | 10.0                             |
| 75  | 900  | 444T   | 9.5                                | 13.0                             |
| 100 | 1800 | 405T   | 8.6                                | 10.0                             |
| 100 | 1200 | 444T   | 10.0                               | 11.8                             |
| 100 | 900  | 445T   | 12.0                               | 15.0                             |
| 125 | 1800 | 444T   | 10.5                               | 12.0                             |
| 125 | 1200 | 445T   | 12.4                               | 15.2                             |
| 125 | 900  | 447T   | 14.0                               | 18.5                             |
| 150 | 1800 | 445T   | 10.5                               | 13.2                             |
| 150 | 1200 | 447T   | 11.6                               | 16.1                             |
| 15  | 900  | 447T   | 14.6                               | 24.7                             |
| 200 | 1800 | 447T   | 13.2                               | 15.8                             |
| 200 | 1200 | 449T   | 14.6                               | 25.0                             |
| 200 | 900  | 449T   | 18.0                               | –                                |
| 250 | 1800 | 449T   | 13.0                               | 18.4                             |
| 250 | 1200 | 449T   | 18.2                               | –                                |
| 250 | 900  | S449LS | 19.8                               | –                                |
| 300 | 1800 | 449T   | 15.4                               | 24.8                             |
| 300 | 1200 | S449LS | 18.4                               | –                                |
| 350 | 1800 | S449LS | 15.8                               | –                                |
| 350 | 1200 | S449LS | 21.0                               | –                                |
| 400 | 1800 | S449LS | 18.0                               | –                                |

### Notes:

1. Example: 3V, 5V, 8V. Sheave face cannot overhand end of shaft.
2. Example: A, B, C, D section. Center of sheave width cannot overhang end of shaft.
3. Do not exceed belt service factor of 1.6. Follow manufacturer's instructions for alignment and belt tensioning.  
Position sheaves as close to the drive end bearing as possible. (Maximum 1/2" from shaft shoulder).
4. Maximum speed reduction of 5:1.
5. Shaft center distance approximately equal to diameter of largest sheave.
6. All dimensions in inches.

# Options selection and pricing

## Voltage (MLFB Digits 12 & 13)

|                | Single Speed, Voltage Across the Line |                           |          |                 |                                 | Part Winding Start |             |
|----------------|---------------------------------------|---------------------------|----------|-----------------|---------------------------------|--------------------|-------------|
|                | 230V                                  | 460V                      | 575V     | 208-230/460     | 230/460V                        | 460V D 60Hz        | 575V D 60Hz |
|                | 11                                    | 12                        | 13       | 14              | 16                              | 22                 | 23          |
|                | QM <sup>V1)</sup>                     | QM <sup>V1)</sup>         |          |                 | QM <sup>V1)</sup>               |                    |             |
| GP100A         | 140-250                               | 140-250                   | 140-250  | Std.<br>140-250 | 140-250                         | NA                 | NA          |
| GP100          | HP 1-75                               | HP 1-75<br>Std: HP > 75   | 140-440  | Std.<br>140-250 | 140-250<br>Std: FS 280 - HP 75  | 280-440            | 280-440     |
| SD100          | HP 1-75                               | HP 1-20<br>Std: HP > 20   | 140-5440 | Std.<br>140-250 | 1-75 HP                         | 280-5440           | 280-5440    |
| SD100 IEEEE841 | HP 1-75                               | Std 140-5440              | 140-5440 | NA              | NA                              | 280-5440           | 280-5440    |
| SD661          | 180-360                               | Std: 180-360              | 180-360  | NA              | NA                              | 280-360            | 280-360     |
| RGZ(K)ESDI     | NA                                    | Std: 140-5440             | NA       | NA              | NA                              | 280-5440           | 280-5440    |
| XP100          | 1-100 HP                              | HP 1-100<br>Std: HP > 100 | 140-440  | Std.<br>140-250 | 140-250<br>Std: FS 280 - HP 100 | 280-440            | 280-440     |
| XP100 ID1      | 1-100 HP                              | HP 1-100<br>Std: HP > 100 | 140-440  | Std.<br>140-250 | 140-250<br>Std: FS 280 - HP 100 | 280-440            | 280-440     |
| SD10 MS        | NA                                    | NA                        | NA       | NA              | NA                              | NA                 | NA          |
| RGZV(IL)ESD    | HP I-20                               | HP 1-20<br>Std: HP >20    | 140-440  | NA              | HP 25-75<br>Std: HP < 25        | 280-440            | 280-440     |

|                | Wye Start -Delta Run |           | Multi-Speed 4/8 Poles |         | Special Voltage         |                         |
|----------------|----------------------|-----------|-----------------------|---------|-------------------------|-------------------------|
|                | 460V 60Hz            | 575V 60Hz | 460V                  | 575V    | 200-460V                | 461-600V                |
|                | 32                   | 33        | 40                    | 44      | 90+M1Y                  | 90+M2Y                  |
| GP100A         | NA                   | NA        | NA                    | NA      | 140-250                 | 140-250                 |
| GP100          | 280-440              | 280-440   | NA                    | NA      | 140-440                 | 140-440                 |
| SD100          | 280-5440             | 280-5440  | NA                    | NA      | 140-5440                | 140-5440                |
| SD100 IEEEE841 | 280-5440             | 280-5440  | NA                    | NA      | 140-5440 <sup>V2)</sup> | 140-5440 <sup>V2)</sup> |
| SD661          | 280-360              | 280-360   | NA                    | NA      | 140-360 <sup>V2)</sup>  | 140-360 <sup>V2)</sup>  |
| RGZ(K)ESDI     | 280-5440             | 280-5440  | NA                    | NA      | NA                      | NA                      |
| XP100          | 280-440              | 280-440   | NA                    | NA      | 140-440                 | 140-440                 |
| XP100 ID1      | 280-440              | 280-440   | NA                    | NA      | 140-440                 | 140-440                 |
| SD10 MS        | NA                   | NA        | Std                   | 140-440 | 140-440                 | 140-440                 |
| RGZV(IL)ESD    | 280-440              | 280-440   | NA                    | NA      | 140-440                 | 140-440                 |

## List Price

|      | Single Speed |      |      |             |          | Part Winding Start |             | Wye Start - Delta Run |           | Multi-Speed |      | Special Voltage |          |
|------|--------------|------|------|-------------|----------|--------------------|-------------|-----------------------|-----------|-------------|------|-----------------|----------|
|      | 230V         | 460V | 575V | 208-230/460 | 230/460V | 460V D 60Hz        | 575V D 60Hz | 460V 60Hz             | 575V 60Hz | 460V        | 575V | 200-460V        | 461-600V |
|      | 11           | 12   | 13   | 14          | 16       | 22                 | 23          | 32                    | 33        | 40          | 44   | 90+M1Y          | 90+M2Y   |
| 140  | 123          | 123  | 0    | 0           | 119      | -                  | -           | -                     | -         | 0           | 0    | 120             | 120      |
| 180  | 123          | 123  | 0    | 0           | 123      | -                  | -           | -                     | -         | 0           | 0    | 120             | 120      |
| 210  | 138          | 138  | 0    | 0           | 133      | -                  | -           | -                     | -         | 0           | 0    | 120             | 120      |
| 250  | 159          | 159  | 0    | 0           | 154      | -                  | -           | -                     | -         | 0           | 0    | 166             | 166      |
| 280  | 161          | 161  | -    | -           | 165      | 165                | 165         | 165                   | 165       | 0           | 0    | 200             | 200      |
| 320  | 161          | 161  | -    | -           | 200      | 200                | 200         | 200                   | 200       | 0           | 0    | 482             | 482      |
| 360  | 191          | 191  | -    | -           | 294      | 294                | 294         | 294                   | 294       | 0           | 0    | 546             | 546      |
| 400  | 191          | 191  | -    | -           | 461      | 461                | 461         | 461                   | 461       | 0           | 0    | 714             | 714      |
| 440  | 230          | 230  | -    | -           | 767      | 767                | 767         | 767                   | 767       | 0           | 0    | 1187            | 1187     |
| S449 | -            | -    | -    | -           | 768      | 768                | 768         | 768                   | 768       | 0           | 0    | 1486            | 1486     |

V1) QuikMOD only for 208-230/460V and 230/460V stock motors.

V2) Only single voltage is allowed.



# Options selection and pricing

Introduction

General Purpose Motors

Severe Duty Motors

Hazardous Duty Motors

Definite Purpose Motors

Special Features Detail

Options Selection and Pricing

Typical Performance Data

General Dimensions

Part Number Index

## Flanges and Bearing Housing <sup>H1)</sup> (MLFB Dig. 14)

|                | Foot Mounted |                         |                           |                        |                           |
|----------------|--------------|-------------------------|---------------------------|------------------------|---------------------------|
|                | End Shield   | C - Face                | D - Flange                | C - Face w/Drip Cover  | D - Flange w/Drip Cover   |
|                | A            | E                       | F                         | N                      | P                         |
|                |              | QM 140-440              | QM 140-250 <sup>H3)</sup> | QM 140-400             | QM 140-250 <sup>H3)</sup> |
| GP100A         | Std          | 140-250                 | 140-250                   | 140-250                | 140-250                   |
| GP100          | Std          | 140-440                 | 140-440                   | 140-440                | 140-440                   |
| SD100          | Std          | 140-S440                | 140-S440                  | 140-440                | 140-440                   |
| SD100 IEEEE841 | Std          | 140-S440 <sup>H2)</sup> | 140-S440 <sup>H2)</sup>   | 140-440 <sup>H2)</sup> | 140-440 <sup>H2)</sup>    |
| SD661          | Std          | –                       | –                         | –                      | –                         |
| RGZ(K)ESDI     | Std          | 140-440                 | 140-440                   | 140-440                | 140-440                   |
| XP100          | Std          | 140-440                 | 280-440                   | 140-440                | 280-440                   |
| XP100 ID1      | Std          | 140-440                 | 280-440                   | 140-440                | 280-440                   |
| SD10 MS        | Std          | 140-440                 | 140-440                   | 140-440                | 140-440                   |
| RGZV(IL)ESD    | NA           | NA                      | NA                        | NA                     | NA                        |

|                | Round Body             |                        |                           |                         |
|----------------|------------------------|------------------------|---------------------------|-------------------------|
|                | C - Face               | D - Flange             | C - Face w/Drip Cover     | D - Flange w/Drip Cover |
|                | G                      | H                      | L                         | M                       |
|                | QM (GP100A) 140-250    | QM (GP100A) 140-250    | QM 140-250 <sup>H4)</sup> | MOD (GP100A) 140-250    |
| GP100A         | 140-250                | 140-250                | NA                        | NA                      |
| GP100          | 140-440                | 140-440                | 140-440                   | 140-440                 |
| SD100          | 140-440                | 140-440                | 140-440                   | 140-440                 |
| SD100 IEEEE841 | 140-440 <sup>H2)</sup> | 140-440 <sup>H2)</sup> | 140-440 <sup>H2)</sup>    | 140-440 <sup>H2)</sup>  |
| SD661          | NA                     | NA                     | NA                        | NA                      |
| RGZ(K)ESDI     | 140-250                | 140-250                | 140-250                   | 140-250                 |
| XP100          | 140-440                | 280-440                | 140-440                   | 280-440                 |
| XP100 ID1      | 140-440                | 280-440                | 140-440                   | 280-440                 |
| SD10 MS        | 140-250                | 140-250                | 140-250                   | 140-250                 |
| RGZV(IL)ESD    | NA                     | NA                     | NA                        | NA                      |

## List Price

|      | Foot Mounted |          |            |                       |                         | Round Body |            |                       |                         |
|------|--------------|----------|------------|-----------------------|-------------------------|------------|------------|-----------------------|-------------------------|
|      | End Shield   | C - Face | D - Flange | C - Face w/Drip Cover | D - Flange w/Drip Cover | C - Face   | D - Flange | C - Face w/Drip Cover | D - Flange w/Drip Cover |
|      | A            | E        | F          | N                     | P                       | G          | H          | L                     | M                       |
| 140  | 0            | 106      | 284        | 359                   | 437                     | 90         | 302        | 214                   | 455                     |
| 180  | 0            | 154      | 361        | 402                   | 514                     | 132        | 396        | 237                   | 549                     |
| 210  | 0            | 164      | 396        | 436                   | 549                     | 132        | 428        | 239                   | 581                     |
| 250  | 0            | 229      | 774        | 792                   | 941                     | 180        | 809        | 318                   | 976                     |
| 280  | 0            | 870      | 1086       | 1037                  | 1253                    | 939        | 1224       | 1106                  | 1391                    |
| 320  | 0            | 941      | 1269       | 1236                  | 1564                    | 1029       | 1452       | 1324                  | 1747                    |
| 360  | 0            | 1016     | 1481       | 1615                  | 2080                    | 1308       | 2005       | 1907                  | 2604                    |
| 400  | 0            | 1261     | 1976       | 2099                  | 2814                    | 1684       | 2779       | 2522                  | 3617                    |
| 440  | 0            | 1493     | 2387       | 3043                  | 3937                    | 2303       | 3896       | 3853                  | 5446                    |
| S449 | 0            | cf       | cf         | –                     | –                       | –          | –          | –                     | –                       |

H1) C-Face and D-Flanges only on motors with ball bearings.

H2) Not available for FS 440, 2 pole motors.

H3) H dimension, on QuikMOD or MOD, see Drw H6.

H4) Except for SD841 copper rotor.

# Options selection and pricing

## Winding Protection (MLFB Digit 15)

|                | Without Protection | PTC Thermistors         |                         | KTY8-130 Thermistors |
|----------------|--------------------|-------------------------|-------------------------|----------------------|
|                |                    | 3 Embedded, 1 per Phase | 6 Embedded, 2 per Phase | 2 Embedded           |
|                | A                  | B                       | C                       | F                    |
| GP100A         | Std                | NA                      | NA                      | NA                   |
| GP100          | Std                | 140-440                 | 140-440                 | 140-440              |
| SD100          | Std                | 140-S440                | 140-S440                | 140-S440             |
| SD100 IEEEE841 | Std.               | 140-S440                | 140-S440                | 140-S440             |
| SD661          | Std                | 180-360                 | 180-360                 | 180-360              |
| RGZ(K)ESDI     | NA                 | 140-S440                | 140-S440                | 140-S440             |
| XP100          | NA                 | 140-440                 | 140-440                 | 140-440              |
| XP100 ID1      | Std                | 140-440                 | 140-440                 | 140-440              |
| SD10 MS        | Std                | 140-440                 | 140-440                 | 140-440              |
| RGZV(IL)ESD    | Std                | 140-440                 | 140-440                 | 140-440              |

|                | Thermostats                 | Thermocouples             | Stator RTDs 100 Ohms                                     | Thermostats + Stator RTDs |
|----------------|-----------------------------|---------------------------|--|---------------------------|
|                | Klixon Type, MC 1 x phase   | DE and N DE, Not Embedded | W/Aux. Box, & Terminal Strip <sup>P1)</sup><br>2 x Phase | (G + K)                   |
|                | G                           | J                         | K  | L                         |
|                | QM (GP & SD) <sup>P3)</sup> |                           |  |                           |
| GP100A         | NA                          | NA                        | NA   | NA                        |
| GP100          | 140-440                     | 360-440                   | 360-440  | 360-440                   |
| SD100          | 140-S440                    | 360-S440                  | 360-S440   | 360-S440                  |
| SD100 IEEEE841 | 140-S440                    | 360-S440                  | 360-S440   | 360-S440                  |
| SD661          | 180-360                     | 360                       | 360  | 360                       |
| RGZ(K)ESDI     | Std                         | 360-S440                  | 360-S440   | 360-S440                  |
| XP100          | Std                         | NA                        | 360-440 <sup>P2)</sup>                                   | 360-440 <sup>P2)</sup>    |
| XP100 ID1      | NA                          | NA                        | NA   | NA                        |
| SD10 MS        | 140-440                     | 360-440                   | 360-440  | 360-440                   |
| RGZV(IL)ESD    | 140-440                     | 360-440                   | 360-440  | 360-440                   |

## List Price

|      | Without Protection | PTC Thermistors         | PTC Thermistors         | KTY84-130 Thermistors | Thermostats               | Thermocouples            | Stator RTDs 100 Ohms                                       | Thermostats + Stator RTDs |
|------|--------------------|-------------------------|-------------------------|-----------------------|---------------------------|--------------------------|--|---------------------------|
|      |                    | 3 Embedded, 1 per Phase | 6 Embedded, 2 per Phase | 2 Embedded            | Klixon Type, MC 1 x Phase | DE and N DE Not Embedded | W/Aux. Box, & Terminal Strip <sup>P1)</sup><br>2 per Phase | (G + K)                   |
|      | A                  | B                       | C                       | F                     | G                         | J                        | K  | L                         |
| 140  | 0                  | 634                     | 1268                    | 981                   | 229                       | -                        | -  | -                         |
| 180  | 0                  | 634                     | 1268                    | 981                   | 229                       | -                        | -  | -                         |
| 210  | 0                  | 634                     | 1268                    | 981                   | 229                       | -                        | -  | -                         |
| 250  | 0                  | 634                     | 1268                    | 981                   | 229                       | -                        | -  | -                         |
| 280  | 0                  | 634                     | 1268                    | 981                   | 229                       | -                        | -  | -                         |
| 320  | 0                  | 634                     | 1268                    | 981                   | 306                       | -                        | -  | -                         |
| 360  | 0                  | 634                     | 1268                    | 981                   | 306                       | 1814                     | 3053   | 2795                      |
| 400  | 0                  | 634                     | 1268                    | 981                   | 459                       | 1814                     | 3053   | 2795                      |
| 440  | 0                  | 634                     | 1268                    | 981                   | 566                       | 1814                     | 3053   | 2795                      |
| S449 | 0                  | 634                     | 1268                    | 981                   | 661                       | 1887                     | 3175   | 2868                      |

P1) Auxiliary box opposite to main terminal box.

P2) No terminal strip is provided.

P3) GP and SD motors only.

# Options selection and pricing

## Mounting M<sup>1)</sup> (MLFB Digit 16)

|                | Floor Mount, T. Box Top | Ceiling Mount, T. Box LHS | Floor Mount, T. Box RHS | Standard Mount, T. Box LHS | Wall Mount, Shaft Down T. Box LHS      | Wall Mount, Shaft Down T. Box RHS      | Wall Mount, Shaft Up T. Box RHS        |
|----------------|-------------------------|---------------------------|-------------------------|----------------------------|--|--|--|
|                | F-3                     | C-2                       | F-2                     | F-1                        | W-6                                    | W-7                                    | W-5                                    |
|                | 0                       | 1                         | 2                       | 3                          | 4                                      | 5                                      | 6                                      |
|                | QM                      | QM                        | QM <sup>M2,M3)</sup>    |                            | QM (140-400), MOD (440) <sup>M3)</sup> | QM (140-400), MOD (440) <sup>M3)</sup> | QM (140-400), MOD (440) <sup>M3)</sup> |
| GP100A         | 140-250                 | 140-250                   | 140-250                 | Std                        | 140-250                                | 140-250                                | 140-250                                |
| GP100          | NA                      | 140-440                   | 140-440                 | Std                        | 140-440                                | 140-440                                | 140-440                                |
| SD100          | NA                      | 140-S440                  | 140-S440                | Std                        | 140-S440                               | 140-S440                               | 140-S440                               |
| SD100 IEEEE841 | NA                      | 140-S440                  | 140-S440                | Std                        | 140-S440                               | 140-S440                               | 140-S440                               |
| SD661          | NA                      | 180-360                   | 180-360                 | Std                        | 180-360                                | 180-360                                | 180-360                                |
| RGZ(K)ESDI     | NA                      | 140-440                   | NA                      | 140-S440                   | 140-S440                               | 140-S440                               | NA                                     |
| XP100          | NA                      | 140-440                   | 140-440                 | Std                        | 140-440                                | 140-440                                | 140-440                                |
| XP100 ID1      | NA                      | 140-440                   | 140-440                 | Std                        | 140-440                                | 140-440                                | 140-440                                |
| SD10 MS        | NA                      | 140-440                   | 140-440                 | Std                        | 140-440                                | 140-440                                | 140-440                                |
| RGZV(IL)ESD    | NA                      | NA                        | NA                      | Std                        | NA                                     | NA                                     | NA                                     |

|                | Wall Mount, Shaft Up T. Box LHS        | Ceiling Mount, T. Box RHS | Wall Mount, Shaft Right T. Box RHS | Wall Mount, Shaft Left T. Box LHS | Wall Mount, Shaft Right T. Box LHS | Wall Mount, Shaft Left T. Box RHS |
|----------------|--|---------------------------|------------------------------------|-----------------------------------|------------------------------------|-----------------------------------|
|                | W-8                                    | C-1                       | W-1                                | W-2                               | W-3                                | W-4                               |
|                | 7                                      | 8                         | 9 +R1A                             | 9 +R2A                            | 9 +R3A                             | 9 +R4A                            |
|                | QM (140-400), MOD (440) <sup>M3)</sup> | QM <sup>M2), M3)</sup>    | QM <sup>M3)</sup>                  | QM                                | QM                                 | QM <sup>M3)</sup>                 |
| GP100A         | 140-250                                | 140-250                   | 140-250                            | 140-250                           | 140-250                            | 140-250                           |
| GP100          | 140-440                                | 140-440                   | 140-440                            | 140-440                           | 140-440                            | 140-440                           |
| SD100          | 140-S440                               | 140-S440                  | 140-S440                           | 140-S440                          | 140-S440                           | 140-S440                          |
| SD100 IEEEE841 | 140-S440                               | 140-S440                  | 140-S440                           | 140-S440                          | 140-S440                           | 140-S440                          |
| SD661          | 180-360                                | 180-360                   | 180-360                            | 180-360                           | 180-360                            | 180-360                           |
| RGZ(K)ESDI     | 140-S440                               | NA                        | NA                                 | 140-440                           | 140-440                            | 140-440                           |
| XP100          | 140-440                                | 140-440                   | 140-440                            | 140-440                           | 140-440                            | 140-440                           |
| XP100 ID1      | 140-440                                | 140-440                   | 140-440                            | 140-440                           | 140-440                            | 140-440                           |
| SD10 MS        | 140-440                                | 140-440                   | 140-440                            | 140-440                           | 140-440                            | 140-440                           |
| RGZV(IL)ESD    | NA                                     | NA                        | NA                                 | NA                                | NA                                 | NA                                |

## List Price

|      | Floor Mount, T. Box top | Ceiling Mount, T. Box LHS | Floor Mount, T. Box RHS | Standard Mount, T. Box LHS | Wall Mount, Shaft Down T. Box LHS | Wall Mount, Shaft Down T. Box RHS | Wall Mount, Shaft Up T. Box RHS | Wall Mount, Shaft Up T. Box LHS | Ceiling Mount, T. Box RHS | Wall Mount, Shaft Up T. Box RHS | Wall Mount, Shaft Left T. Box LHS | Wall Mount, Shaft Up T. Box LHS | Wall Mount, Shaft Left T. Box RHS |
|------|-------------------------|---------------------------|-------------------------|----------------------------|-----------------------------------|-----------------------------------|---------------------------------|---------------------------------|---------------------------|---------------------------------|-----------------------------------|---------------------------------|-----------------------------------|
|      | F-3                     | C-2                       | F-2                     | F-1                        | W-6                               | W-7                               | W-5                             | W-8                             | C-1                       | W-1                             | W-2                               | W-3                             | W-4                               |
|      | 0                       | 1                         | 2                       | 3                          | 4                                 | 5                                 | 6                               | 7                               | 8                         | 9 +R1A                          | 9 +R2A                            | 9 +R3A                          | 9 +R4A                            |
| 140  | 125                     | 134                       | 284                     | 0                          | 202                               | 288                               | 284                             | 131                             | 284                       | 284                             | 130                               | 130                             | 284                               |
| 180  | 125                     | 134                       | 284                     | 0                          | 202                               | 288                               | 284                             | 131                             | 284                       | 284                             | 130                               | 130                             | 284                               |
| 210  | 125                     | 134                       | 284                     | 0                          | 202                               | 288                               | 284                             | 131                             | 284                       | 284                             | 130                               | 130                             | 284                               |
| 250  | 125                     | 134                       | 284                     | 0                          | 202                               | 288                               | 284                             | 131                             | 284                       | 284                             | 130                               | 130                             | 284                               |
| 280  | -                       | 134                       | 284                     | 0                          | 202                               | 288                               | 284                             | 131                             | 284                       | 284                             | 130                               | 130                             | 284                               |
| 320  | -                       | 134                       | 284                     | 0                          | 202                               | 288                               | 284                             | 131                             | 284                       | 284                             | 130                               | 130                             | 284                               |
| 360  | -                       | 134                       | 284                     | 0                          | 202                               | 288                               | 284                             | 131                             | 284                       | 284                             | 130                               | 130                             | 284                               |
| 400  | -                       | 134                       | 284                     | 0                          | 202                               | 288                               | 284                             | 131                             | 284                       | 284                             | 130                               | 130                             | 284                               |
| 440  | -                       | 134                       | 284                     | 0                          | 202                               | 288                               | 284                             | 131                             | 284                       | 284                             | 130                               | 130                             | 284                               |
| S449 | -                       | 134                       | 284                     | 0                          | 202                               | 288                               | 284                             | 131                             | 294                       | 294                             | 130                               | 130                             | 284                               |

M1) T. Box position viewed from the DE.

M2) Only available as custom build for XP100 motors.

M3) XP motors and S440 frames only available as custom build.

# Options selection and pricing

## Bearing and Lubrication

|                | Special Grease <sup>L5)</sup>  |                                | Grease Fitting  | Roller Bearings          | Ball Bearings <sup>L2), L6)</sup> |
|----------------|--------------------------------|--------------------------------|-----------------|--------------------------|-----------------------------------|
|                | Mobil 28                       | Mobilith SHC 100               | Pressure Relief | In Lieu of Ball Bearings | Sealed                            |
|                | <b>L57</b>                     | <b>L58</b>                     | <b>L60</b>      | <b>L65</b>               | <b>L68</b>                        |
|                | <b>MOD</b>                     | <b>MOD</b>                     | <b>QM</b>       |                          | <b>QM</b>                         |
| GP100A         | NA                             | NA                             | NA              | NA                       | NA                                |
| GP100          | NA                             | NA                             | NA              | NA                       | 140-440                           |
| SD100          | 140-5440                       | 140-5440                       | 140-5440        | 280-400                  | 400-5440                          |
| SD100 IEEEE841 | NA                             | NA                             | Std             | 280-400                  | 400-5440                          |
| SD661          | NA                             | NA                             | Std             | NA                       | NA                                |
| RGZ(K)ESDI     | 140-440                        | 140-440                        | 140-440         | 280-440                  | 140-5440                          |
| SD100          | 140-5440<br>2 & 8 pole 280-360 | 140-5440<br>2 & 8 pole 280-360 | 140-5440        | NA                       | 400-5440                          |
| SD100 IEEEE841 |                                |                                | 140-5440        | NA                       | 400-5440                          |
| XP100          | 140-440                        | 140-440                        | NA              | 280-400                  | 140-440                           |
| XP100 ID1      | 140-440                        | 140-440                        | NA              | 280-400                  | 140-440                           |
| SD10 MS        | 140-440                        | 140-440                        | 280-440         | 280-400                  | 140-440                           |
| RGZV(IL)ESD    | 140-440                        | 140-440                        | 140-440         | NA                       | NA                                |

|                | Insulated Bearing             |                    | Hybrid Bearings (Ceramic Ball) |                    | Bearing Thermal Protection              |
|----------------|-------------------------------|--------------------|--------------------------------|--------------------|---|
|                | Both Ends <sup>L1), L6)</sup> | Opposite Drive End | Both Ends <sup>L6)</sup>       | Opposite Drive End | 100 Ω RTDs Both Ends and Terminal Block |
|                | <b>L66</b>                    | <b>L67</b>         | <b>L69</b>                     | <b>L70</b>         | <b>A51</b>                              |
|                |                               | 2 & 8 pole 280-360 | <b>QM</b>                      | <b>QM</b>          |   |
| GP100A         | NA                            | NA                 | NA                             | NA                 | NA                                      |
| GP100          | NA                            | NA                 | NA                             | NA                 | NA                                      |
| SD100          | 140-250                       | 140-250            | 140-5440                       | 140-5440           | 400-5440                                |
| SD100 IEEEE841 | NA                            | NA                 | 140-5440                       | 140-5440           | 400-5440                                |
| SD661          | NA                            | NA                 | 180-360                        | 180-360            | NA                                      |
| RGZ(K)ESDI     | 280-5440                      | 280-5440           | NA                             | NA                 | 400-5440                                |
| XP100          | NA                            | NA                 | NA                             | NA                 | NA                                      |
| XP100 ID1      | NA                            | NA                 | NA                             | NA                 | NA                                      |
| SD10 MS        | 140-440                       | 140-440            | NA                             | NA                 | 400-440                                 |
| RGZV(IL)ESD    | NA                            | NA                 | NA                             | NA                 | 400-440                                 |

## List Price

|      | Special Grease <sup>L5)</sup> |                  | Grease Fitting  | Roller Bearings          | Ball Bearings <sup>L2), L6)</sup> | Insulated Bearing             |                    | Hybrid Bearings (Ceramic Ball) |                    | Bearing Thermal Protection              |
|------|-------------------------------|------------------|-----------------|--------------------------|-----------------------------------|-------------------------------|--------------------|--------------------------------|--------------------|---|
|      | Mobil 28                      | Mobilith SHC 100 | Pressure Relief | In Lieu of Ball Bearings | Sealed                            | Both Ends <sup>L1), L6)</sup> | Opposite Drive End | Both Ends <sup>L6)</sup>       | Opposite Drive End | 100 Ω RTDs Both Ends and Terminal Block |
|      | <b>L57</b>                    | <b>L58</b>       | <b>L60</b>      | <b>L65</b>               | <b>L68</b>                        | <b>L66</b>                    | <b>L67</b>         | <b>L69</b>                     | <b>L70</b>         | <b>A51</b>                              |
| 140  | 485                           | 336              | 186             | -                        | 229                               | 765                           | -                  | 1328                           | 664                | -                                       |
| 180  | 895                           | 336              | 186             | -                        | 229                               | 765                           | -                  | 1328                           | 664                | -                                       |
| 210  | 895                           | 336              | 186             | -                        | 229                               | 1050                          | -                  | 2096                           | 1048               | -                                       |
| 250  | 895                           | 336              | 186             | -                        | 458                               | 1315                          | -                  | 2332                           | 1166               | -                                       |
| 280  | 895                           | 336              | 186             | 1215                     | 458                               | 2496                          | 1252               | 3316                           | 1658               | -                                       |
| 320  | 1230                          | 634              | 186             | 1215                     | 458                               | 2961                          | 1484               | 4818                           | 2409               | -                                       |
| 360  | 1230                          | 634              | 186             | 1215                     | 572                               | 3523                          | 1761               | 6236                           | 3118               | -                                       |
| 400  | 1640                          | 634              | 186             | 1215                     | 916                               | 7645                          | 3823               | 10850                          | 5425               | 3347                                    |
| 440  | 1640                          | 634              | 186             | -                        | 916                               | 11767                         | 5884               | 11606                          | 5803               | 3347                                    |
| S449 | 1640                          | 634              | 186             | -                        | 1207                              | 11843                         | 8343               | 12750                          | 6150               | 3347                                    |

L1) 2 & 8 Pole FS 280-360, FS 440.

L2) Except 2 pole, 360+frames.

L3) 280-360 frames, only for 2 and 8 Poles.

L4) Aegis SGR®.

L5) Provided with single shielded bearings.

L6) Ball bearings only.

# Options selection and pricing

## Shafts and Seals

|               | Special Shaft      |                    |                             |                                      | NEMA Standard Shaft            |                               | Bering Isolator + grinding brush <sup>S2)</sup> |
|---------------|--------------------|--------------------|-----------------------------|--------------------------------------|--------------------------------|-------------------------------|---|
|               | Keyless shaft      | C4140 Carbon Steel | Customer Specific Drive End | Customer Specific Opposite Drive End | Short Shaft Opposite Drive End | Long Shaft Opposite Drive End | Drive End                                       |
|               | M41 <sup>S1)</sup> | M57                | Y50                         | Y51                                  | M53                            | M52                           | L86   |
|               |                    |                    |                             |                                      |                                |                               | MOD   |
| GP100A        | NA                 | NA                 | NA                          | NA                                   | NA                             | NA                            | NA  |
| GP100         | NA                 | NA                 | 140-440                     | NA                                   | NA                             | NA                            | NA  |
| SD100         | 140-S440           | 400-S440           | 140-S440                    | 140-S440                             | 140-440                        | 140-440                       | 140-S440  |
| SD100 IE8E841 | 140-S440           | 400-S440           | 140-S440                    | 140-S440                             | 140-440                        | 140-440                       | 140-S440  |
| SD661         | NA                 | 180-360            | 180-360                     | 180-360                              | 180-360                        | 180-360                       | NA  |
| XP100         | 140-440            | 400-440            | 140-440                     | 140-440                              | 140-440                        | 140-440                       | NA  |
| XP100 ID1     | 140-440            | 400-440            | 140-440                     | 140-440                              | 140-440                        | 140-440                       | NA  |
| SD10 MS       | 140-440            | 400-440            | 140-440                     | 140-440                              | 140-440                        | 140-440                       | NA  |
| RGZV(IL)ESD   | NA                 | CF                 | CF                          | NA                                   | NA                             | NA                            | NA  |

|               | Inpro® Seal |                    |           | Brass Seal | Shaft Ring Brush Metal <sup>S3)</sup> | Shaft Grounding Brush | Slinger & O Ring    |
|---------------|-------------|--------------------|-----------|------------|---------------------------------------|-----------------------|---------------------|
|               | Drive End   | Opposite Drive End | Both Ends |            | Opposite Drive End                    |                       | (4, 6, 8 Pole Only) |
|               | L79         | L80                | L81       | L84        | M42                                   | L29                   | L76                 |
|               |             |                    |           |            |                                       |                       | QM                  |
|               |             |                    |           |            |                                       |                       | MOD                 |
| GP100A        | NA          | NA                 | NA        | NA         | NA                                    | NA                    | NA                  |
| GP100         | 140-440     | NA                 | NA        | NA         | 140-440                               | NA                    | 250-440             |
| SD100         | 140-S440    | 140-S440           | 140-S440  | NA         | NA                                    | 280-440               | 140-440             |
| SD100 IE8E841 | NA          | NA                 | Std       | NA         | NA                                    | 280-440               | 140-440             |
| SD661         | NA          | NA                 | Std       | NA         | NA                                    | NA                    | 180-360             |
| XP100         | 140-440     | 140-440            | 140-440   | 140-400    | NA                                    | NA                    | 140-440             |
| XP100 ID1     | 140-440     | 140-440            | 140-440   | 140-440    | NA                                    | NA                    | 140-440             |
| SD10 MS       | 140-440     | 140-440            | 140-440   | 140-440    | NA                                    | 280-440               | 140-440             |
| RGZV(IL)ESD   | NA          | NA                 | NA        | NA         | NA                                    | NA                    | NA                  |

## List Price

|      | Special Shaft |                    |           |                    | NEMA Standard Shaft |                | Bearing Isolator + grinding brush <sup>S2)</sup> | Inpro® Seal |                    | Brass Seal | Shaft Ring Brush (Metal) <sup>S3)</sup> | Shaft Grounding Brush | Slinger & O Ring    |     |
|------|---------------|--------------------|-----------|--------------------|---------------------|----------------|--|-------------|--------------------|------------|---|-----------------------|---------------------|-----|
|      | Keyless Shaft | C4140 Carbon Steel | Drive End | Opposite Drive End | Short Shaft ODE     | Long Shaft ODE | Drive End  | Drive End   | Opposite Drive End | Both Ends  | Opposite Drive End                      |                       | (4, 6, 8 Pole only) |     |
|      | K41           | M57                | Y50       | Y51                | M53                 | M52            | L86  | L79         | L80                | L81        | L84                                     | M42                   | L29                 | L76 |
| 140  | 250           | -                  |           | CF                 | 132                 | 132            | 747  | 511         | 511                | 1021       | 133                                     | 321                   | -                   | 88  |
| 180  | 250           | -                  |           | CF                 | 132                 | 132            | 807  | 511         | 511                | 1021       | 133                                     | 342                   | -                   | 88  |
| 210  | 250           | -                  |           | CF                 | 132                 | 132            | 845  | 533         | 533                | 1066       | 133                                     | 375                   | -                   | 88  |
| 250  | 250           | -                  |           | CF                 | 176                 | 176            | 975  | 622         | 622                | 1244       | 133                                     | 456                   | -                   | 121 |
| 280  | 250           | -                  |           | CF                 | 272                 | 272            | 975  | 644         | 644                | 1289       | 133                                     | 489                   | 3092                | 121 |
| 320  | 250           | -                  |           | CF                 | 392                 | 392            | 1134   | 678         | 678                | 1356       | 133                                     | 561                   | 3092                | 164 |
| 360  | 250           | -                  |           | CF                 | 443                 | 443            | 1134   | 778         | 778                | 1556       | 133                                     | 743                   | 3092                | 164 |
| 400  | 250           | 4667               |           | CF                 | 490                 | 490            | 1356   | 955         | 955                | 1911       | 133                                     | 930                   | 3092                | 213 |
| 440  | 250           | 5004               |           | CF                 | 558                 | 558            | 1638   | 1044        | 1044               | 2088       | 133                                     | 2270                  | 3092                | 213 |
| S449 | 250           | 5106               |           | CF                 | 558                 | 558            | 2070   | 1044        | 1044               | 2088       | -                                       | 1998                  | -                   | 213 |

S1) Shaft dimensions outside NEMA MG1.

S2) MSG - Inpro/Seal® + Grinding Brush Shaft dimensions outside NEMA MG1.

S3) AEGIS® Grinding brush.

# Options selection and pricing

## Frame

|                | Rotation Arrow                         |                          |  | Hardware                                 | Lifting Eyebolt |
|----------------|--|--------------------------|--|--|-----------------|
|                | Bi-directional<br>(No Uni-directional) | Clockwise <sup>F1)</sup> | Counter-clockwise <sup>F1)</sup>           | Stainless Steel<br>(Inc. T drain SS)     |                 |
|                | K70                                    | K71                      | K72  | L22                                      | L20             |
|                | QM                                     | QM                       | QM<br>MOD (SD: 2 & 4 poles) <sup>F2)</sup> | QM<br>MOD (FS 180 w/feet) <sup>F3)</sup> | QM              |
| GP100A         | 140-250                                | 140-250                  | 140-250                                    | NA                                       | Std             |
| GP100          | 140-440                                | 140-440                  | 140-440                                    | 140-440                                  | 140             |
| SD100          | 140-S440                               | 140-S440                 | 140-S440                                   | 140-S440                                 | 140             |
| SD100 IEEEE841 | 140-S440                               | 140-S440                 | 140-S440                                   | 280-S440 <sup>F4)</sup>                  | Std             |
| SD661          | 180-360                                | 180-360                  | 180-360                                    | 180-360 <sup>F4)</sup>                   | Std             |
| RGZ(K)ESDI     | 140-S440                               | 140-S440                 | 140-S440                                   | 140-S440                                 | 140             |
| XP100          | 140-440                                | 140-440                  | 140-440                                    | NA                                       | 140             |
| XP100 ID1      | 140-440                                | 140-440                  | 140-440                                    | NA                                       | 140             |
| SD10 MS        | 140-440                                | 140-440                  | 140-440                                    | 140-440                                  | 140             |
| RGZV(IL)ESD    | 140-440                                | 140-440                  | 140-440                                    | NA                                       | NA              |

|                | Grounding (Frame)                 | Drain Plugs |                               | Fan      |         |
|----------------|-----------------------------------|-------------|-------------------------------|----------|---------|
|                | Provision<br>(Tapped Hole w/Bolt) | T Drain SS  | Crouse Hinds<br>(UL Approved) | Aluminum | Bronze  |
|                | L27                               | L45         | L46                           | M09      | M10     |
|                | QM                                | QM          | QM                            | MOD      | MOD     |
| GP100A         | NA                                | NA          | NA                            | NA       | NA      |
| GP100          | 140-440                           | 140-440     | NA                            | NA       | 140-440 |
| SD100          | 140-S440                          | 140-S440    | 280-S440                      | 140-440  | 140-440 |
| SD100 IEEEE841 | 140-S440                          | 140-S440    | 280-S440                      | NA       | 140-440 |
| SD661          | 180-360                           | 180-210     | 280-360                       | NA       | 180-360 |
| RGZ(K)ESDI     | 140-S440                          | 140-S440    | 280-S440                      | NA       | NA      |
| XP100          | 140-440                           | NA          | 280-440                       | NA       | NA      |
| XP100 ID1      | 140-440                           | NA          | 280-360<br>Std 440            | NA       | NA      |
| SD10 MS        | 140-440                           | 140-440     | 280-440                       | NA       | 140-440 |
| RGZV(IL)ESD    | 140-440                           | NA          | NA                            | NA       | 140-440 |

## List Price

|      | Rotation Arrow |                          |                    | Hardware           | Lifting Eyebolt | Grounding | Drain Plugs |              | Fan      |        |
|------|----------------|--------------------------|--------------------|--------------------|-----------------|-----------|-------------|--------------|----------|--------|
|      | Bi-directional | Clockwise <sup>F1)</sup> | CCW <sup>F1)</sup> | SS +<br>T Drain SS |                 | Provision | T Drain SS  | Crouse Hinds | Aluminum | Bronze |
|      | K70            | K71                      | K72                | L22                | L20             | L27       | L45         | L46          | M09      | M10    |
| 140  | 142            | 142                      | 142                | 203                | 43              | 142       | 161         | -            | 145      | 546    |
| 180  | 142            | 142                      | 142                | 203                | -               | 142       | 161         | -            | 163      | 546    |
| 210  | 142            | 142                      | 142                | 203                | -               | 142       | 161         | -            | 166      | 706    |
| 250  | 142            | 142                      | 142                | 203                | -               | 164       | 234         | -            | 197      | 752    |
| 280  | 142            | 142                      | 142                | 203                | -               | 164       | 234         | 353          | 209      | 941    |
| 320  | 142            | 142                      | 142                | 251                | -               | 186       | 234         | 353          | 228      | 1137   |
| 360  | 142            | 142                      | 142                | 308                | -               | 186       | 307         | 353          | 222      | 1190   |
| 400  | 142            | 142                      | 142                | 380                | -               | 186       | 307         | 353          | 273      | 1325   |
| 440  | 142            | 142                      | 142                | 468                | -               | 266       | 307         | 353          | 315      | 1830   |
| S449 | 142            | 142                      | 142                | 641                | -               | 266       | 307         | 353          | -        | -      |

F1) Rotation viewed from the ODE.

F2) Only a MOD for 2 & 4 Poles on SD100 and SD841 motors.

F3) Only a MOD when Digit 14 <> A on FS 180.

F4) Provided with Crouse hinds breather drain.

F5) Round frame only.

# Options selection and pricing

## Frame (cont'd)

|                | Nameplates                                 |  |  |                      |                             |                   |
|----------------|--|--|--|----------------------|-----------------------------|-------------------|
|                | Additional Nameplate (Replica of Original) | Derate - S.F. Altitude, and/or Ambient Temperature | Auxiliary Nameplate Max. 40 Characters | Division 2 Nameplate | Space Heaters Caution Plate | Lubrication Plate |
|                | M21  | Y80  | Y82                                    | M22                  | M23                         | M24               |
|                |  | QM   | QM                                     | QM                   | QM                          | QM                |
| GP100A         | 140-250                                    | 140-250  | 140-250                                | NA                   | NA                          | NA                |
| GP100          | 140-440                                    | 140-440  | 140-440                                | NA                   | 140-S440                    | 140-S440          |
| SD100          | 140-S440                                   | 140-S440   | 140-S440                               | 140-S440             | 140-S440                    | 140-S440          |
| SD100 IEEEE841 | 140-S440                                   | 140-S440   | 140-S440                               | 140-S440             | 140-S440                    | 140-S440          |
| SD661          | 180-360                                    | 180-360  | 180-360                                | 180-360              | 180-360                     | 180-360           |
| RGZ(K)ESDI     | 140-S440                                   | 140-S440   | 140-S440                               | 140-S440             | NA                          | NA                |
| XP100          | 140-440                                    | 140-440  | 140-440                                | NA                   | 140-440                     | NA                |
| XP100 ID1      | 140-440                                    | 140-440  | 140-440                                | NA                   | NA                          | NA                |
| SD10 MS        | 140-440                                    | 140-440  | 140-440                                | 140-440              | 140-440                     | 140-440           |
| RGZV(IL)ESD    | 140-440                                    | 140-440  | 140-440                                | 140-440              | 140-440                     | 140-440           |

|                | Stainless Steel Eyebolt | Drip Cover         | Lifting Hooks                  | Provisions for Dowel Holes | Vertical Jacking |
|----------------|-------------------------|--------------------|--------------------------------|----------------------------|------------------|
|                |                         |                    | (No Drip Cover) <sup>F5)</sup> |                            | Provisions       |
|                | M28                     | K33 <sup>F6)</sup> | K34                            | K38                        | M39              |
|                | QM                      | QM                 | MOD (140-250)                  | MOD                        | MOD              |
| GP100A         | NA                      | 140-250            | NA                             | NA                         | NA               |
| GP100          | NA                      | 140-440            | 140-440                        | 280-440                    | 280-440          |
| SD100          | 140-S440                | 140-440            | 140-440                        | 280-S440                   | 280-S440         |
| SD100 IEEEE841 | 140-S440                | 140-440            | 140-440                        | 280-S440                   | 280-S440         |
| SD661          | 180-360                 | 180-360            | 180-360                        | 280-360                    | 280-360          |
| RGZ(K)ESDI     | NA                      | NA                 | NA                             | NA                         | NA               |
| XP100          | 140-440                 | 140-440            | 140-440                        | NA                         | 280-440          |
| XP100 ID1      | NA                      | 140-440            | NA                             | NA                         | 280-440          |
| SD10 MS        | 140-440                 | 140-440            | NA                             | NA                         | 280-440          |
| RGZV(IL)ESD    | 140-440                 | NA                 | NA                             | NA                         | NA               |

## List Price

|      | Nameplates          |        |           |                      |               |                   | Stainless Steel Eyebolt | Drip Cover         | Lifting Hooks <sup>F5)</sup> | Provisions for Dowel Holes | Vertical Jacking |
|------|---------------------|--------|-----------|----------------------|---------------|-------------------|-------------------------|--------------------|------------------------------|----------------------------|------------------|
|      | Replica of Original | Derate | Auxiliary | Division 2 Nameplate | Space Heaters | Lubrication Plate |                         |                    | (No Drip Cover)              |                            | Provisions       |
|      | M21                 | Y80    | Y82       | M22                  | M23           | M24               | M28                     | K33 <sup>F6)</sup> | K34                          | K38                        | M39              |
| 140  | 164                 | 164    | 164       | 322                  | 43            | 104               | 161                     | 153                | 235                          | -                          | -                |
| 180  | 164                 | 164    | 164       | 322                  | 43            | 104               | 161                     | 153                | 286                          | -                          | -                |
| 210  | 164                 | 164    | 164       | 322                  | 43            | 104               | 161                     | 153                | 286                          | -                          | -                |
| 250  | 164                 | 164    | 164       | 322                  | 43            | 104               | 161                     | 167                | 388                          | -                          | -                |
| 280  | 164                 | 164    | 164       | 322                  | 43            | 104               | 161                     | 167                | 416                          | 435                        | 890              |
| 320  | 164                 | 164    | 164       | 322                  | 43            | 104               | 161                     | 295                | 720                          | 483                        | 890              |
| 360  | 164                 | 164    | 164       | 322                  | 43            | 104               | 161                     | 599                | 720                          | 530                        | 890              |
| 400  | 164                 | 164    | 164       | 322                  | 43            | 104               | 161                     | 838                | 908                          | 614                        | 890              |
| 440  | 164                 | 164    | 164       | 322                  | 43            | 104               | 161                     | 1550               | 1001                         | 915                        | 890              |
| S449 | 164                 | 164    | 164       | 322                  | 43            | 104               | 161                     | 1550               | 1001                         | 915                        | 890              |

F1) Rotation viewed from the ODE.

F2) Only a MOD when Digit 14 <> A on FS 180.

F3) Only a MOD for 2 & 4 Poles on SD100 and SD841 motors.

F4) Provided with Crouse Hinds breather drain.

F5) Round frame only.

F6) Not applicable when MLFB dg. 14 is N,P,L or M (see pg. 3-11).

# Options selection and pricing

## Terminal Box

|                | Main Terminal Box |                     |                      |                | Auxiliary Box<br>Opp. Main Box Side for |             |          |               |
|----------------|-------------------|---------------------|----------------------|----------------|---|-------------|----------|---------------|
|                | Cast Iron         | J84 = Entry from DE | J85 = Entry from top | Entry from NDE | PTC                                     | Thermostats | KTY84    | Space Heaters |
|                | L01               | J84                 | J85                  | J86            | J05                                     | J15         | J25      | J55           |
|                | MOD               | QM                  | QM                   | QM             |   | MOD         |          | MOD           |
| GP100A         | NA                | NA                  | NA                   | NA             | NA                                      | NA          | NA       | NA            |
| GP100          | 140-400           | 140-440             | 140-440              | 140-440        | 280-S440                                | 280-S440    | 280-S440 | 280-S440      |
| SD100          | Std               | 140-S440            | 140-S440             | 140-S440       | 280-S440                                | 280-S440    | 280-S440 | 280-S440      |
| SD100 IEEEE841 | Std               | 140-S440            | 140-S440             | 140-S440       | 280-S440                                | 280-S440    | 280-S440 | 280-S440      |
| SD661          | Std               | 180-360             | 180-360              | 180-360        | 280-360                                 | 280-360     | 280-360  | 280-360       |
| RGZ(K)ESDI     | Std               | 140-S440            | 140-S440             | 140-S440       | 280-S440                                | 280-S440    | 280-S440 | 280-S440      |
| XP100          | Std               | 140-440             | 140-440              | 140-440        | NA                                      | NA          | NA       | NA            |
| XP100 ID1      | Std               | 140-440             | 140-440              | 140-440        | NA                                      | NA          | NA       | NA            |
| SD10 MS        | Std               | 140-440             | 140-440              | 140-440        | 280-440                                 | 280-440     | 280-440  | 280-440       |
| RGZV(IL)ESD    | NA                | 140-440             | 140-440              | 140-440        | 280-440                                 | 280-440     | 280-440  | 280-440       |

|                | Auxiliary Box<br>to Main Box for <sup>B1)</sup> |             |          |               | Condulet on Same<br>Side of Main Box for |             |          |               |
|----------------|---|-------------|----------|---------------|--|-------------|----------|---------------|
|                | PTC   | Thermostats | KTY84    | Space Heaters | PTC                                      | Thermostats | KTY84    | Space Heaters |
|                | J03   | J13         | J23      | J53           | J00                                      | J10         | J20      | J50           |
|                |   | MOD         |          | MOD           |  |             |          |               |
| GP100A         | NA  | NA          | NA       | NA            | NA                                       | NA          | NA       | NA            |
| GP100          | NA  | NA          | NA       | NA            | 280-440                                  | 280-440     | 280-440  | 280-440       |
| SD100          | 280-S440  | 280-S440    | 280-S440 | 280-S440      | 280-S440                                 | 280-S440    | 280-S440 | 280-S440      |
| SD100 IEEEE841 | 280-S440  | 280-S440    | 280-S440 | 280-S440      | 280-S440                                 | 280-S440    | 280-S440 | 280-S440      |
| SD661          | 280-360   | 280-360     | 280-360  | 280-360       | 280-360                                  | 280-360     | 280-360  | 280-360       |
| RGZ(K)ESDI     | NA  | NA          | NA       | NA            | NA                                       | NA          | NA       | NA            |
| XP100          | NA  | NA          | NA       | NA            | NA                                       | NA          | NA       | NA            |
| XP100 ID1      | NA  | NA          | NA       | NA            | NA                                       | NA          | NA       | NA            |
| SD10 MS        | 280-440   | 280-440     | 280-440  | 280-440       | 280-440                                  | 280-440     | 280-440  | 280-440       |
| RGZV(IL)ESD    | 280-440   | 280-440     | 280-440  | 280-440       | NA                                       | NA          | NA       | NA            |

## List Price

|      | Main Terminal Box |                     |                      |                | Auxiliary Box<br>Opp. Main Box Side for |                  |       |               | Auxiliary Box<br>to Main Box for <sup>B1)</sup> |                  |       |               | Condulet on Same<br>Side of Main Box for |                  |       |               |
|------|-------------------|---------------------|----------------------|----------------|---|------------------|-------|---------------|---|------------------|-------|---------------|--|------------------|-------|---------------|
|      | Cast iron         | J84 = Entry from DE | J85 = Entry from top | Entry from NDE | PTC                                     | Thermo-<br>stats | KTY84 | Space Heaters | PTC   | Thermo-<br>stats | KTY84 | Space Heaters | PTC                                      | Thermo-<br>stats | KTY84 | Space Heaters |
|      | L01               | J84                 | J85                  | J86            | J05                                     | J15              | J25   | J55           | J03   | J13              | J23   | J53           | J00                                      | J10              | J20   | J50           |
| 140  | 148               | 134                 | 134                  | 134            | -                                       | -                | -     | -             | -   | -                | -     | -             | -  | -                | -     | -             |
| 180  | 154               | 134                 | 134                  | 134            | -                                       | -                | -     | -             | -   | -                | -     | -             | -  | -                | -     | -             |
| 210  | 161               | 134                 | 134                  | 134            | -                                       | -                | -     | -             | -   | -                | -     | -             | -  | -                | -     | -             |
| 250  | 167               | 134                 | 134                  | 134            | -                                       | -                | -     | -             | -   | -                | -     | -             | -  | -                | -     | -             |
| 280  | 180               | 134                 | 134                  | 134            | 443                                     | 443              | 443   | 443           | 415   | 415              | 415   | 415           | 235                                      | 235              | 235   | 235           |
| 320  | 199               | 134                 | 134                  | 134            | 443                                     | 443              | 443   | 443           | 415   | 415              | 415   | 415           | 235                                      | 235              | 235   | 235           |
| 360  | 218               | 134                 | 134                  | 134            | 443                                     | 443              | 443   | 443           | 415   | 415              | 415   | 415           | 235                                      | 235              | 235   | 235           |
| 400  | 251               | 134                 | 134                  | 134            | 443                                     | 443              | 443   | 443           | 415   | 415              | 415   | 415           | 235                                      | 235              | 235   | 235           |
| 440  | -                 | 134                 | 134                  | 134            | 443                                     | 443              | 443   | 443           | 415   | 415              | 415   | 415           | 235                                      | 235              | 235   | 235           |
| S449 | -                 | 134                 | 134                  | 134            | 443                                     | 443              | 443   | 443           | 415   | 415              | 415   | 415           | 235                                      | 235              | 235   | 235           |

B1) GP motors: Only for motors with cast iron terminal box.

B2) MOD if mounting with T. box on RHS, (MLFB digit 16 = 2, 5, 6, or 8).

B3) Limited to three leads.



# Options selection and pricing

## Terminal Box (cont'd)

|                | Conduit Opposite to Main Box Side for <sup>B1)</sup> |             |         |               |          |                  |            |                    |
|----------------|--|-------------|---------|---------------|----------|------------------|------------|--------------------|
|                | PTC  | Thermostats | KTY84   | Space Heaters | PTC (EX) | Thermostats (EX) | KTY84 (EX) | Space Heaters (EX) |
|                | J04  | J14         | J24     | J54           | J06      | J16              | J26        | J56                |
|                | MOD  |             |         |               |          |                  |            |                    |
| GP100A         | NA   | NA          | NA      | NA            | NA       | NA               | NA         | NA                 |
| GP100          | 280-440  | 280-440     | 280-440 | 280-440       | NA       | NA               | NA         | NA                 |
| SD100          | 280-440  | 280-440     | 280-440 | 280-440       | NA       | NA               | NA         | NA                 |
| SD100 IEEEE841 | 280-440  | 280-440     | 280-440 | 280-440       | NA       | NA               | NA         | NA                 |
| SD661          | 280-360  | 280-360     | 280-360 | 280-360       | NA       | NA               | NA         | NA                 |
| RGZ(K)ESDI     | NA   | NA          | NA      | NA            | NA       | NA               | NA         | NA                 |
| XP100          | NA   | NA          | NA      | NA            | 140-440  | 140-440          | 140-440    | 140-440            |
| XP100 ID1      | NA   | NA          | NA      | NA            | 140-440  | -                | 140-440    | 140-440            |
| SD10 MS        | 280-440  | 280-440     | 280-440 | 280-440       | NA       | NA               | NA         | NA                 |
| RGZV(IL)ESD    | 280-440  | 280-440     | 280-440 | 280-440       | NA       | NA               | NA         | NA                 |

|                | Conduit to Main Box for             |             |          |               | Terminals             |                |                             |                      |
|----------------|-------------------------------------|-------------|----------|---------------|-----------------------|----------------|-----------------------------|----------------------|
|                | PTC                                 | Thermostats | KTY84    | Space Heaters | Burndy Hydent YA Type | Terminal Block | Sealed Leads <sup>B3)</sup> | Special Cable Length |
|                | J02                                 | J12         | J22      | J52           | K80                   | K83            | K89                         | Y85                  |
|                | QM, MOD (RHS T. Box) <sup>B2)</sup> |             |          | QM            | QM                    | MOD            | QM                          |                      |
| GP100A         | NA                                  | NA          | NA       | NA            | 140-250               | NA             | NA                          | NA                   |
| GP100          | NA                                  | NA          | NA       | NA            | 140-440               | 140-360        | 140-440                     | 140-440              |
| SD100          | 140-S440                            | 140-S440    | 140-S440 | 140-S440      | 140-S440              | 140-360        | 140-440                     | 140-S440             |
| SD100 IEEEE841 | 140-S440                            | 140-S440    | 140-S440 | 140-S440      | 140-S440              | 140-360        | 140-440                     | 140-S440             |
| SD661          | 180-360                             | 180-360     | 180-360  | 180-360       | 180-360               | 180-360        | 180-360                     | 180-360              |
| RGZ(K)ESDI     | 140-S440                            | 140-S440    | 140-S440 | 140-S440      | 140-S440              | 140-360        | 140-S440                    | 140-S440             |
| XP100          | NA                                  | NA          | NA       | NA            | 140-440               | NA             | NA                          | NA                   |
| XP100 ID1      | NA                                  | NA          | NA       | NA            | 140-440               | NA             | NA                          | NA                   |
| SD10 MS        | 140-440                             | 140-440     | 140-440  | 140-440       | 140-440               | 140-360        | 140-440                     | 140-440              |
| RGZV(IL)ESD    | 140-440                             | 140-440     | 140-440  | 140-440       | 140-440               | 140-360        | 140-440                     | 140-440              |

## List Price

|      | Conduit Opposite to Main Box Side for <sup>B1)</sup> |              |       |               |          |                   |            |                    | Conduit to Main Box for |              |       |               | Terminals     |                |              |                      |
|------|--|--------------|-------|---------------|----------|-------------------|------------|--------------------|-------------------------|--------------|-------|---------------|---------------|----------------|--------------|----------------------|
|      | PTC  | Thermo-stats | KTY84 | Space Heaters | PTC (EX) | Thermo-stats (EX) | KTY84 (EX) | Space Heaters (EX) | PTC                     | Thermo-stats | KTY84 | Space Heaters | Burndy Hydent | Terminal Block | Sealed Leads | Special Cable Length |
|      | J04  | J14          | J24   | J54           | J06      | J16               | J26        | J56                | J02                     | J12          | J22   | J52           | K80           | K83            | K89          | Y85                  |
| 140  | -  | -            | -     | -             | 560      | 560               | 560        | 560                | 251                     | 251          | 251   | 251           | 171           | 228            | 150          | 228                  |
| 180  | -  | -            | -     | -             | 560      | 560               | 560        | 560                | 251                     | 251          | 251   | 251           | 171           | 228            | 150          | 228                  |
| 210  | -  | -            | -     | -             | 560      | 560               | 560        | 560                | 251                     | 251          | 251   | 251           | 171           | 228            | 150          | 228                  |
| 250  | -  | -            | -     | -             | 560      | 560               | 560        | 560                | 251                     | 251          | 251   | 251           | 171           | 342            | 150          | 228                  |
| 280  | 235  | 235          | 235   | 235           | 560      | 560               | 560        | 560                | 251                     | 251          | 251   | 251           | 171           | 342            | 150          | 228                  |
| 320  | 235  | 235          | 235   | 235           | 560      | 560               | 560        | 560                | 251                     | 251          | 251   | 251           | 171           | 518            | 150          | 228                  |
| 360  | 235  | 235          | 235   | 235           | 560      | 560               | 560        | 560                | 251                     | 251          | 251   | 251           | 171           | 518            | 150          | 304                  |
| 400  | 235  | 235          | 235   | 235           | 560      | 560               | 560        | 560                | 251                     | 251          | 251   | 251           | 171           | -              | 200          | 304                  |
| 440  | 235  | 235          | 235   | 235           | 560      | 560               | 560        | 560                | 251                     | 251          | 251   | 251           | 171           | -              | 200          | 304                  |
| S449 | -  | -            | -     | -             | -        | -                 | -          | -                  | 251                     | 251          | 251   | 251           | 171           | -              | 200          | 304                  |

B1) GP motors: Only for motors with cast iron terminal box.  
 B2) MOD if mounting with T. box on RHS, (MLFB digit 16 = 2, 5, 6, or 8).  
 B3) Limited to three leads.

# Options selection and pricing

## Windings

|                | Insulation             |                                    |  |                   |   |
|----------------|------------------------|------------------------------------|--|-------------------|---|
|                | Class H <sup>W1)</sup> | Vacuum Pressure Impregnation (VPI) | Moisture/Powerhouse (Extra Dip & Bake) | Fungus Protection | Tropicalization Moisture (Extra Dip & Bake, Fungus Spray) |
|                | C00                    | C01                                | C04                                    | C07               | C08   |
|                |                        |                                    |  | QM                |   |
| GP100A         | NA                     | NA                                 | NA                                     | NA                | NA  |
| GP100          | 140-440                | 140-440                            | 140-440                                | 140-440           | 140-440   |
| SD100          | 140-S440               | 140-S440                           | 140-S440                               | 140-S440          | 140-S440  |
| SD100 IEEEE841 | 140-S440               | 140-S440                           | 140-S440                               | 140-S440          | 140-S440  |
| SD661          | 180-360                | 180-360                            | 180-360                                | 180-360           | 180-360   |
| RGZ(K)ESDI     | 140-S440               | 140-S440                           | 140-S440                               | 140-S440          | 140-S440  |
| XP100          | 140-440                | 140-440                            | std                                    | NA                | NA  |
| XP100 ID1      | 140-440                | 140-440                            | std                                    | NA                | NA  |
| SD10 MS        | 140-440                | 140-440                            | 140-440                                | 140-440           | 140-440   |
| RGZV(IL)ESD    | 140-440                | 140-440                            | 140-440                                | 140-440           | 140-440   |

|                | Space Heaters                        |                       |   |                                   | Space Heaters EX                          |                            |
|----------------|--------------------------------------|-----------------------|---|-----------------------------------|---|----------------------------|
|                | 1 x 115V Single Phase <sup>W2)</sup> | 2 x 230V Single Phase | 1 x 115V Single Phase <sup>W2)</sup> , Division 2 | 2 x 230V Single Phase, Division 2 | 1 x 115V Single Phase <sup>W2)</sup> - EX | 2 x 230V Single Phase - Ex |
|                | A40                                  | A41                   | A42   | A44                               | A43                                       | A45                        |
|                | QM                                   | QM                    | QM  | QM                                |   |                            |
| GP100A         | NA                                   | NA                    | NA  | NA                                | NA  | NA                         |
| GP100          | 140-440                              | 140-440               | NA  | NA                                | NA  | NA                         |
| SD100          | 140-S440                             | 140-S440              | 140-S440  | 140-S440                          | NA  | NA                         |
| SD100 IEEEE841 | 140-S440                             | 140-S440              | 140-S440  | 140-S440                          | NA  | NA                         |
| SD661          | 180-360                              | 180-360               | NA  | NA                                | NA  | NA                         |
| RGZ(K)ESDI     | NA                                   | NA                    | NA  | NA                                | NA  | NA                         |
| XP100          | NA                                   | NA                    | NA  | NA                                | 140-440                                   | 140-440                    |
| XP100 ID1      | NA                                   | NA                    | NA  | NA                                | 140-440                                   | 140-440                    |
| SD10 MS        | 140-440                              | 140-440               | 140-440   | 140-440                           | NA  | NA                         |
| RGZV(IL)ESD    | 140-440                              | 140-440               | 140-440   | 140-440                           | NA  | NA                         |

## List Price

|      | Insulation             |      |                     |                   |                          | Space Heaters                        |                       | Space Heaters, Div 2       |                           | Space Heaters, EX                  |                     |
|------|------------------------|------|---------------------|-------------------|--------------------------|--------------------------------------|-----------------------|----------------------------|---------------------------|------------------------------------|---------------------|
|      | Class H <sup>W1)</sup> | VPI  | Moisture Powerhouse | Fungus Protection | Tropicalization Moisture | 1 x 115V Single Phase <sup>W2)</sup> | 2 x 230V Single Phase | 1 x 115V, 1 PH, Division 2 | 2 x 230V 1 PH, Division 2 | 1 x 115V, 1 PH <sup>W2)</sup> - EX | 2 x 230V 1 PH, - EX |
|      | C00                    | C01  | C04                 | C07               | C08                      | A40                                  | A41                   | A42                        | A44                       | A43                                | A45                 |
| 140  | 122                    | 1670 | 160                 | 212               | 214                      | 352                                  | 352                   | 455                        | 455                       | 409                                | 409                 |
| 180  | 122                    | 1670 | 160                 | 212               | 214                      | 352                                  | 352                   | 455                        | 455                       | 409                                | 409                 |
| 210  | 122                    | 1670 | 160                 | 212               | 214                      | 352                                  | 352                   | 455                        | 455                       | 409                                | 409                 |
| 250  | 157                    | 1670 | 208                 | 310               | 277                      | 352                                  | 352                   | 455                        | 455                       | 409                                | 409                 |
| 280  | 261                    | 2147 | 345                 | 310               | 459                      | 528                                  | 528                   | 679                        | 679                       | 611                                | 611                 |
| 320  | 343                    | 2147 | 447                 | 310               | 593                      | 528                                  | 528                   | 679                        | 679                       | 611                                | 611                 |
| 360  | 438                    | 2714 | 567                 | 537               | 746                      | 528                                  | 528                   | 816                        | 816                       | 734                                | 734                 |
| 400  | 634                    | 3430 | 798                 | 537               | 1036                     | 612                                  | 612                   | 997                        | 997                       | 897                                | 897                 |
| 440  | 904                    | 3728 | 1877                | 537               | 1406                     | 612                                  | 612                   | 1181                       | 1181                      | 1062                               | 1062                |
| S449 | 2387                   | 5463 | 1877                | 537               | 2319                     | 699                                  | 699                   | 1259                       | 1259                      | -                                  | -                   |

W1) Lead cable and thermal protectors leads are insulation class F.

W2) 2x Space heaters for FS 400 and above.

# Options selection and pricing

## Paint and Others

|                | VSD operation |  | Special Paint |              |            | Standard Paint                  |                            |
|----------------|---------------|--|---------------|--------------|------------|---------------------------------|----------------------------|
|                | Encoder HS35R | VSD - Larger <sup>05)</sup><br>Cooling Fan | 2 Part Epoxy  | 3 Part Epoxy | Prime Only | 2 Part Epoxy<br>(Ameron system) | Special<br>Color in Ral... |
|                | G05           | M05  | N01           | N02          | N03        | N04                             | Y60                        |
| GP100A         | NA            | NA   | NA            | NA           | 140-250    | NA                              | 140-250                    |
| GP100          | NA            | NA   | 140-440       | 140-440      | 140-440    | NA                              | 140-440                    |
| SD100          | 140-S440      | 404-447                                    | 140-S440      | 140-S440     | 140-S440   | 140-S440                        | 140-S440                   |
| SD100 IEEEE841 | 140-S440      | 404-447                                    | 140-S440      | 140-S440     | 140-S440   | 140-S440                        | 140-S440                   |
| SD661          | NA            | NA   | 180-360       | 180-360      | 180-360    | 180-360                         | 180-360                    |
| RGZ(K)ESDI     | 140-S440      | NA   | 140-S440      | 140-S440     | 140-S440   | 140-S440                        | 140-S440                   |
| XP100          | NA            | 364-445                                    | 140-S440      | 140-S440     | 140-S440   | 140-S440                        | 140-S440                   |
| XP100 ID1      | NA            | NA   | 140-440       | 140-440      | 140-440    | 140-440                         | 140-440                    |
| SD10 MS        | NA            | NA   | 140-S440      | 140-S440     | 140-S440   | 140-S440                        | 140-S440                   |
| RGZV(IL)ESD    | NA            | NA   | 140-440       | 140-440      | 140-440    | 140-440                         | 140-440                    |

|                | Balance <sup>02)</sup> |                        | Vibration Detectors                                 |  | Packaging                    |          |
|----------------|------------------------|------------------------|---|--|------------------------------|----------|
|                | Precision              | Extra Precision        | Robert Shaw<br>Malfunction<br>Model 366 - D8 120VAC | Provision for<br>Vibration Sensors<br>(PMC/Beta) | Siemens<br>Export<br>Packing | Special  |
|                | M69                    | M70                    | A66   | A67  | B09                          | B10      |
| GP100A         | NA                     | NA                     | NA  | NA   | 140-250                      | 140-250  |
| GP100          | 140-440                | 140-440                | NA  | NA   | 140-440                      | 140-440  |
| SD100          | 140-S440               | 140-S440               | 280-S440  | 280-S440   | 140-S440                     | 140-S440 |
| SD100 IEEEE841 | Std                    | 140-S440               | 280-S440  | 280-S440   | 140-S440                     | 140-S440 |
| SD661          | Std                    | 180-360                | 280-360   | 280-360  | 180-360                      | 180-360  |
| RGZ(K)ESDI     | 140-S440               | 140-S440               | 280-S440  | 280-S440   | 140-S440                     | 140-S440 |
| XP100          | 140-S440               | 140-S440               | NA  | NA   | 140-440                      | 140-440  |
| XP100 ID1      | 140-440                | 140-440                | NA  | NA   | 140-440                      | 140-440  |
| SD10 MS        | 140-S440               | 140-S440               | 280-440   | NA   | 140-440                      | 140-440  |
| RGZV(IL)ESD    | 140-440 <sup>03)</sup> | 140-440 <sup>03)</sup> | NA  | 280-440  | 140-440                      | 140-440  |

## List Price

|      | VSD operation |  | Special Paint |              |                                 | Standard Paint <sup>01)</sup> |                               | Balance <sup>01)</sup> |                    | Vibration Detectors                     |                                 | Packaging                    |         |
|------|---------------|--|---------------|--------------|---------------------------------|-------------------------------|-------------------------------|------------------------|--------------------|---|---------------------------------|------------------------------|---------|
|      | Encoder HS35R | VSD - Larger <sup>05)</sup><br>Cooling Fan | 2 Part Epoxy  | 3 Part Epoxy | 2 Part Epoxy<br>(Ameron system) | Standard<br>Prime Only        | Special<br>Color in<br>Ral... | Precision              | Extra<br>Precision | Robert Shaw<br>Model 366 -<br>D8 120VAC | Provision<br>Only<br>(PMC/Beta) | Siemens<br>Export<br>Packing | Special |
|      | G05           | M05  | N01           | N02          | N04                             | N03                           | Y60                           | M69                    | M70                | A66                                     | A67                             | B09                          | B10     |
| 140  | 1750          | -  | 2744          | 2761         | 5655                            | 558                           | 554                           | 190                    | 312                | -                                       | -                               | 98                           | CF      |
| 180  | 1750          | -  | 2744          | 2761         | 5655                            | 558                           | 554                           | 190                    | 312                | -                                       | -                               | 125                          | CF      |
| 210  | 1750          | -  | 2744          | 2761         | 5655                            | 558                           | 554                           | 190                    | 330                | -                                       | -                               | 125                          | CF      |
| 250  | 1750          | -  | 2744          | 2761         | 5655                            | 558                           | 554                           | 218                    | 330                | -                                       | -                               | 125                          | CF      |
| 280  | 1750          | -  | 2744          | 2761         | 5655                            | 563                           | 557                           | 218                    | 376                | 4216                                    | 3778                            | 230                          | CF      |
| 320  | 1750          | -  | 2744          | 2761         | 5655                            | 563                           | 557                           | 248                    | 376                | 4216                                    | 3778                            | 290                          | CF      |
| 360  | 1750          | 320  | 2744          | 2761         | 5655                            | 563                           | 557                           | 248                    | 506                | 4216                                    | 3778                            | 360                          | CF      |
| 400  | 1750          | 320  | 2744          | 2761         | 5655                            | 563                           | 557                           | 313                    | 506                | 5170                                    | 4574                            | 740                          | CF      |
| 440  | 1750          | 360  | 2744          | 2761         | 5655                            | 563                           | 557                           | 313                    | 651                | 5170                                    | 4574                            | 1010                         | CF      |
| S449 | 1750          | 360  | 2744          | 2761         | 5655                            | 563                           | 557                           | 610                    | 683                | 5170                                    | 4574                            | 1010                         | CF      |

01) Special color and paint system required a combined of codes.

02) Refer to tables in page 3-5.

03) Only for RGZVESD

04) Not applicable for RGZ motors.

05) 4 pole only.

# Options selection and pricing

## Software

|              | Documentation in Spanish | Certificate of Compliance | Outline Drawings         |                                   |                                      | Datasheet   |                   |
|--------------|--------------------------|---------------------------|--------------------------|-----------------------------------|--------------------------------------|---|-------------------|
|              |                          |                           | Standard Outline drawing | Non-Standard with Catalog Options | Non-Standard Outside Catalog Options | Typ. Data Std. Performance Data for 460V or 575V 60Hz | Customer Specific |
|              |                          |                           | D05                      | F00                               | F42                                  | F43   | F44               |
|              | QM                       | QM                        | QM                       | QM                                | QM                                   | QM  | QM                |
| GP100A       | 140-250                  | 140-250                   | 140-250                  | 140-250                           | 140-250                              | 140-250   | 140-250           |
| GP100        | 140-440                  | 140-440                   | 140-440                  | 140-440                           | 140-440                              | 140-440   | 140-440           |
| SD100        | 140-S440                 | 140-S440                  | 140-S440                 | 140-S440                          | 140-S440                             | 140-S440  | 140-S440          |
| SD100 IEE841 | 140-S440                 | 140-S440                  | 140-S440                 | 140-S440                          | 140-S440                             | 140-S440  | 140-S440          |
| SD661        | 180-360                  | 180-360                   | 180-360                  | 180-360                           | 180-360                              | 180-360   | 180-360           |
| RGZ(K)ESDI   | 140-S440                 | 140-S440                  | 140-S440                 | 140-S440                          | 140-S440                             | 140-S440  | 140-S440          |
| XP100        | 140-440                  | 140-440                   | 140-440                  | 140-440                           | 140-440                              | 140-440   | 140-440           |
| XP100 ID1    | 140-440                  | 140-440                   | 140-440                  | 140-440                           | 140-440                              | 140-440   | 140-440           |
| SD10 MS      | 140-440                  | 140-440                   | 140-440                  | 140-440                           | 140-440                              | 140-440   | 140-440           |
| RGZV(IL)ESD  | 140-440                  | 140-440                   | 140-440                  | 140-440                           | 140-440                              | 140-440   | 140-440           |

|              | Performance Curves         |                               |                         | Wiring Diagram | Instruction and Operation Manual | Renewal Parts |
|--------------|----------------------------|-------------------------------|-------------------------|----------------|----------------------------------|---------------|
|              | Standard 460V or 575V 60Hz | Stall Times 460V or 575V 60Hz | Special Calculated Data |                |                                  |               |
|              | F03                        | F40                           | F07                     |                |                                  |               |
|              | QM                         | QM                            | QM                      | QM             | QM                               | QM            |
| GP100A       | 140-250                    | 140-250                       | 140-250                 | 140-250        | 140-250                          | 140-250       |
| GP100        | 140-440                    | 140-440                       | 140-440                 | 140-440        | 140-440                          | 140-440       |
| SD100        | 140-S440                   | 140-S440                      | 140-S440                | 140-S440       | 140-S440                         | 140-S440      |
| SD100 IEE841 | 140-S440                   | 140-S440                      | 140-S440                | 140-S440       | 140-S440                         | 140-S440      |
| SD661        | 180-360                    | 180-360                       | 180-360                 | 180-360        | 180-360                          | 180-360       |
| RGZ(K)ESDI   | 140-S440                   | 140-S440                      | 140-S440                | 140-S440       | 140-S440                         | 140-S440      |
| XP100        | 140-440                    | 140-440                       | 140-440                 | 140-440        | 140-440                          | 140-440       |
| XP100 ID1    | 140-440                    | 140-440                       | 140-440                 | 140-440        | 140-440                          | 140-440       |
| SD10 MS      | 140-440                    | 140-440                       | 140-440                 | 140-440        | 140-440                          | 140-440       |
| RGZV(IL)ESD  | 140-S440                   | 140-S440                      | 140-S440                | 140-S440       | 140-S440                         | 140-S440      |

## List Price

|      | Documentation in Spanish | Certificate of Compliance | Outline Drawings              |                                   |                             | Datasheets              |                               | Performance Curves          |                              |                         | Wiring Diagram | Instruction Operation Manual | Renewal Parts |
|------|--------------------------|---------------------------|-------------------------------|-----------------------------------|-----------------------------|-------------------------|-------------------------------|-----------------------------|------------------------------|-------------------------|----------------|------------------------------|---------------|
|      |                          |                           | Standard with Certified Block | Non-Standard with Catalog Options | Conduit Box Dimension Sheet | Performance Data Sheets | Customer Specific Data Sheets | Standard 460V or 575V 60 Hz | Stall Times 460 or 575 60 Hz | Special Calculated Data |                |                              |               |
|      |                          |                           | D05                           | F00                               | F42                         | F43                     | F44                           | F49                         | F50                          | F03                     |                |                              |               |
| 140  | 0                        | 300                       | 45                            | 523                               | 45                          | 261                     | 523                           | 747                         | 45                           | 1195                    | 45             | 45                           | 45            |
| 180  | 0                        | 300                       | 45                            | 523                               | 45                          | 261                     | 523                           | 747                         | 45                           | 1195                    | 45             | 45                           | 45            |
| 210  | 0                        | 300                       | 45                            | 523                               | 45                          | 261                     | 523                           | 747                         | 45                           | 1195                    | 45             | 45                           | 45            |
| 250  | 0                        | 300                       | 45                            | 523                               | 45                          | 261                     | 523                           | 747                         | 45                           | 1195                    | 45             | 45                           | 45            |
| 280  | 0                        | 300                       | 45                            | 523                               | 45                          | 261                     | 523                           | 747                         | 45                           | 1195                    | 45             | 45                           | 45            |
| 320  | 0                        | 300                       | 45                            | 523                               | 45                          | 261                     | 523                           | 747                         | 45                           | 1195                    | 45             | 45                           | 45            |
| 360  | 0                        | 300                       | 45                            | 523                               | 45                          | 261                     | 523                           | 747                         | 45                           | 1195                    | 45             | 45                           | 45            |
| 400  | 0                        | 300                       | 45                            | 523                               | 45                          | 261                     | 523                           | 747                         | 45                           | 1195                    | 45             | 45                           | 45            |
| 440  | 0                        | 300                       | 45                            | 523                               | 45                          | 261                     | 523                           | 747                         | 45                           | 1195                    | 45             | 45                           | 45            |
| S449 | 0                        | 300                       | 45                            | 523                               | 45                          | 261                     | 523                           | 747                         | 45                           | 1195                    | 45             | 45                           | 45            |

# Options selection and pricing

## Test

|                | Routine Test <sup>T1)</sup> |                         |                      |                         |                                     |
|----------------|-----------------------------|-------------------------|----------------------|-------------------------|-------------------------------------|
|                | Test Report                 | Test Report - Witnessed | Electrical Duplicate | Test + Vibration Report | Test + Vibration Report - Witnessed |
|                | F10                         | F12                     | F36                  | F20                     | F22                                 |
|                | QM                          | MOD                     | MOD                  | QM                      | MOD                                 |
| GP100A         | 140-250                     | 140-250                 | 140-250              | 140-250                 | 140-250                             |
| GP100          | 140-440                     | 140-440                 | 140-440              | 140-440                 | 140-440                             |
| SD100          | 140-5440                    | 140-5440                | 140-5440             | 140-5440                | 140-5440                            |
| SD100 IEEEE841 | NA                          | NA                      | 140-5440             | 140-5440                | 140-5440                            |
| SD661          | NA                          | NA                      | 180-360              | 180-360                 | 180-360                             |
| RGZ(K)ESDI     | 140-5440                    | 140-5440                | 140-5440             | 140-5440                | 140-5440                            |
| XP100          | 140-440                     | 140-440                 | 140-440              | 140-440                 | 140-440                             |
| XP100 ID1      | 140-440                     | 140-440                 | 140-440              | 140-440                 | 140-440                             |
| SD10 MS        | 140-440                     | 140-440                 | 140-440              | 140-440                 | 140-440                             |
| RGZV(IL)ESD    | 140-440                     | 140-440                 | 140-440              | 140-440                 | 140-440                             |

|                | Complete Test |                         |                      | Calibration      | Noise Test  |                         |
|----------------|---------------|-------------------------|----------------------|------------------|-------------|-------------------------|
|                | Test Report   | Test Report - Witnessed | Electrical Duplicate | Calibration Test | Test Report | Test Report - Witnessed |
|                | F15           | F17                     | F37                  | F27              | F30         | F32                     |
|                | MOD           | MOD                     | MOD                  | MOD              |             |                         |
| GP100A         | 140-250       | 140-250                 | 140-250              | 140-250          | 140-250     | 140-250                 |
| GP100          | 140-440       | 140-440                 | 140-440              | 140-440          | 140-440     | 140-440                 |
| SD100          | 140-5440      | 140-5440                | 140-5440             | 140-5440         | 140-5440    | 140-5440                |
| SD100 IEEEE841 | 140-5440      | 140-5440                | 140-5440             | 140-5440         | 140-5440    | 140-5440                |
| SD661          | 180-360       | 180-360                 | 180-360              | 180-360          | 180-360     | 180-360                 |
| RGZ(K)ESDI     | 140-5440      | 140-5440                | 140-5440             | 140-5440         | 140-5440    | 140-5440                |
| XP100          | 140-440       | 140-440                 | 140-440              | 140-440          | 140-440     | 140-440                 |
| XP100 ID1      | 140-440       | 140-440                 | 140-440              | 140-440          | 140-440     | 140-440                 |
| SD10 MS        | 140-440       | 140-440                 | 140-440              | 140-440          | 140-440     | 140-440                 |
| RGZV(IL)ESD    | 140-440       | 140-440                 | 140-440              | 140-440          | 140-440     | 140-440                 |

## List Price

|      | Routine Test <sup>T1)</sup> |                         |                      |                         |                                     | Complete Test |                       |                      | Calibration      | Noise Test  |                         |
|------|-----------------------------|-------------------------|----------------------|-------------------------|-------------------------------------|---------------|-----------------------|----------------------|------------------|-------------|-------------------------|
|      | Test Report                 | Test Report - Witnessed | Electrical Duplicate | Test + Vibration Report | Test + Vibration Report - Witnessed | Test Report   | Test Report Witnessed | Electrical Duplicate | Calibration Test | Test Report | Test Report - Witnessed |
|      | F10                         | F12                     | F36                  | F20                     | F22                                 | F15           | F17                   | F37                  | F27              | F30         | F32                     |
| 140  | 300                         | 1628                    | 300                  | 600                     | 3256                                | 6749          | 10123                 | 455                  | 5062             | 4144        | 6512                    |
| 180  | 300                         | 1628                    | 300                  | 600                     | 3256                                | 6749          | 10123                 | 455                  | 5062             | 4144        | 6512                    |
| 210  | 300                         | 1628                    | 300                  | 600                     | 3256                                | 6749          | 10123                 | 455                  | 5062             | 4144        | 6512                    |
| 250  | 300                         | 1628                    | 300                  | 600                     | 3256                                | 6749          | 10123                 | 455                  | 5062             | 4144        | 6512                    |
| 280  | 300                         | 1643                    | 300                  | 600                     | 3286                                | 6812          | 10217                 | 455                  | 5109             | 4183        | 6573                    |
| 320  | 300                         | 1972                    | 300                  | 600                     | 3286                                | 7917          | 11890                 | 455                  | 5938             | 4183        | 7768                    |
| 360  | 300                         | 2360                    | 300                  | 600                     | 3286                                | 9680          | 14519                 | 455                  | 7260             | 5378        | 7768                    |
| 400  | 300                         | 2569                    | 300                  | 600                     | 3286                                | 11054         | 16581                 | 455                  | 8290             | 5378        | 7768                    |
| 440  | 300                         | 2778                    | 300                  | 600                     | 3286                                | 12010         | 18015                 | 455                  | 9007             | 5378        | 7768                    |
| 5449 | 300                         | 3672                    | 300                  | 600                     | 3286                                | 13596         | 20394                 | 455                  | 10197            | 5463        | 7891                    |

T1) For SD100 IEEEE841 only Routine Test + Vibration.

T2) Refer to list of test included in page 3-8.



# Typical performance data

## Technical notes

| When NEMA Nominal F.L. Efficiency is | Then Minimum F.L. Efficiency is: |
|--------------------------------------|----------------------------------|
| 96.5                                 | 95.8                             |
| 96.2                                 | 95.4                             |
| 95.8                                 | 95.0                             |
| 95.4                                 | 94.5                             |
| 95.0                                 | 94.1                             |
| 94.5                                 | 93.6                             |
| 94.1                                 | 93.0                             |
| 93.6                                 | 92.4                             |
| 93.0                                 | 91.7                             |
| 92.4                                 | 91.0                             |
| 91.7                                 | 90.2                             |
| 91.0                                 | 89.5                             |
| 90.2                                 | 88.5                             |
| 89.5                                 | 87.5                             |
| 88.5                                 | 86.5                             |
| 87.5                                 | 85.5                             |
| 86.5                                 | 84.0                             |
| 85.5                                 | 82.5                             |
| 84.0                                 | 81.5                             |
| 82.5                                 | 80.0                             |
| 81.5                                 | 78.5                             |
| 80.0                                 | 77.0                             |
| 78.5                                 | 75.5                             |
| 77.0                                 | 74.0                             |
| 75.5                                 | 72.0                             |
| 74.0                                 | 70.0                             |

- $HP \times 0.746 = kW$   
 $kW \times 1.341 = HP$
- $Torque (Lb. - Ft) = \frac{HP \times 520}{RPM}$
- $HP = \frac{Torque (Lb. - Ft) \times RPM}{5250}$
- $WK2 (Inertia - Lb. Ft.^2) \text{ at Motor Shaft} = (Load RPM \div Mtr. F.L. RPM)^2 \times Load WK^2$
- Inertia (Kilogram - meter<sup>2</sup>):  
 $kgm^2 \times 23.73 = Lb. Ft.^2$   
 $(Lb. Ft.^2 \div 23.73 = kgm^2)$   
 $(Lb. Ft.^2 \times .042 = kgm^2)$   
 $GD2 (kgfm^2) \times 5.933 = Lb. Ft.^2$
- Torque (Newton - meters):  
 $Nm \times .7376 = Lb. - Ft.$   
 $kW \times 1.341 = HP$
- Power (Kilowatts):  
 $(HP \div 1.341 = kW)$   
 $(HP \times .746 = kW)$
- Temperature:  $^{\circ}C = 5/9$   
 $(^{\circ}F - 32)^{\circ}F = (9/5 \times ^{\circ}C) + 32$

- Typical Performance Data Notes:  
To find amperes at various voltages:
  - 575 V Data = 460 V Amperes x .80
  - 230 V Data = 460 V Amperes x 2.0
  - 200 V Data = 460 V Amperes x 2.3
- (Amperes = Full Load, Locked Rotor and No Load Values - from data pages)

All other data (kVA Code, Efficiencies, Power Factors, Torques and Stall Times) remain same as 460 V Data (winding connections can change - rarely - with voltage designs).

# Typical performance data

## SIMOTICS General purpose – 460V 60HZ

### GP100A / GP100

NEMA Premium®  
Aluminum rotor

| HP  | Frame | FL RPM | Current (A) |                |              | kVA/hp Code | Nominal Efficiency (%) |                |                 |                  | Power Factor |          |           | Torque           |                    |                  | Locked Rotor Stall Time |              |
|-----|-------|--------|-------------|----------------|--------------|-------------|------------------------|----------------|-----------------|------------------|--------------|----------|-----------|------------------|--------------------|------------------|-------------------------|--------------|
|     |       |        | No Load     | Full Load 460V | Locked Rotor |             | 1/2 Load - % -         | 3/4 Load - % - | Full Load - % - | Guar. Min. - % - | 1/2 Load     | 3/4 Load | Full Load | Full Load -lb-ft | Locked Rotor - % - | Break Down - % - | Hot - sec -             | Cold - sec - |
| 1   | 143T  | 3520   | 0.7         | 1.4            | 12           | K           | 79.3                   | 82.1           | 82.5            | 80.0             | 65.2         | 77.4     | 81.1      | 1.5              | 175                | 380              | 12                      | 16           |
| 1   | 143T  | 1755   | 0.8         | 1.4            | 13           | L           | 83.4                   | 85.4           | 85.5            | 82.5             | 58.4         | 71.5     | 78.2      | 3.0              | 295                | 380              | 18                      | 26           |
| 1   | 145T  | 1165   | 1           | 1.6            | 11           | K           | 80.2                   | 82.5           | 82.5            | 80.0             | 50.2         | 63.3     | 70.9      | 4.5              | 260                | 350              | 18                      | 31           |
| 1   | 182T  | 870    | 1.5         | 2.1            | 9            | J           | 77.0                   | 80.0           | 81.5            | 80.0             | 36.0         | 47.0     | 56.0      | 6.0              | 160                | 280              | 50                      | 68           |
| 1.5 | 143T  | 3525   | 1.1         | 2              | 19           | L           | 80.0                   | 83.2           | 84.0            | 81.5             | 64.2         | 77.0     | 83.6      | 2.2              | 270                | 450              | 14                      | 19           |
| 1.5 | 145T  | 1740   | 1.1         | 2.1            | 19           | L           | 85.8                   | 87.0           | 86.5            | 84.0             | 58.5         | 71.8     | 77.3      | 4.5              | 330                | 420              | 15                      | 21           |
| 1.5 | 182T  | 1160   | 1.4         | 2.4            | 15           | J           | 85.3                   | 87.6           | 87.5            | 85.5             | 48.4         | 58.4     | 66.9      | 6.8              | 205                | 330              | 34                      | 46           |
| 1.5 | 184T  | 865    | 2.3         | 3              | 17           | L           | 78.5                   | 82             | 82.5            | 81.5             | 35.0         | 47.0     | 56.0      | 9.0              | 160                | 280              | 43                      | 63           |
| 2   | 145T  | 3515   | 1.2         | 2.5            | 23           | L           | 84.0                   | 85.7           | 85.5            | 82.5             | 69.0         | 81.3     | 87.6      | 2.9              | 250                | 420              | 13                      | 18           |
| 2   | 145T  | 1740   | 1.5         | 2.8            | 24           | L           | 86.0                   | 87.2           | 86.5            | 84.0             | 57.8         | 70.8     | 77.3      | 6.0              | 320                | 390              | 14                      | 22           |
| 2   | 184T  | 1160   | 1.9         | 3.2            | 20           | J           | 87.5                   | 88.7           | 88.5            | 86.5             | 46.5         | 58.8     | 66.1      | 9.1              | 240                | 310              | 23                      | 32           |
| 2   | 213T  | 870    | 2           | 3.3            | 16           | H           | 84.0                   | 84.5           | 84.0            | 82.5             | 51.0         | 63.0     | 67.0      | 12.0             | 170                | 290              | 22                      | 38           |
| 3   | 182T  | 3520   | 1.7         | 3.8            | 30           | J           | 84.17                  | 86.3           | 86.5            | 84.0             | 69.5         | 79.8     | 85.5      | 4.4              | 185                | 380              | 20                      | 30           |
| 3   | 182T  | 1760   | 2.1         | 4              | 33           | K           | 87.8                   | 89.4           | 89.5            | 87.5             | 59.5         | 71.7     | 78.5      | 9.0              | 235                | 360              | 17                      | 29           |
| 3   | 213T  | 1175   | 2.5         | 4.3            | 32           | K           | 87.8                   | 89.3           | 89.5            | 87.5             | 52.1         | 65.4     | 73.0      | 13.4             | 265                | 470              | 23                      | 35           |
| 3   | 215T  | 870    | 3           | 4.8            | 25           | H           | 85.5                   | 86.5           | 85.5            | 84.0             | 45.0         | 59.0     | 68.0      | 18.0             | 175                | 290              | 19                      | 31           |
| 5   | 184T  | 3505   | 2           | 6              | 46           | H           | 88.2                   | 89.1           | 88.5            | 86.5             | 78.1         | 85.9     | 88.2      | 7.5              | 170                | 420              | 15                      | 29           |
| 5   | 184T  | 1755   | 3           | 6.5            | 46           | K           | 89.2                   | 90             | 89.5            | 87.5             | 63.6         | 75.1     | 80.5      | 15.0             | 220                | 350              | 14                      | 29           |
| 5   | 215T  | 1165   | 4.5         | 6.7            | 46           | H           | 89.5                   | 90.1           | 89.5            | 87.5             | 59.4         | 71.4     | 78.1      | 26.5             | 220                | 380              | 14                      | 21           |
| 5   | 254T  | 875    | 5.5         | 8.5            | 33           | G           | 85.5                   | 87             | 86.5            | 85.5             | 43.0         | 54.0     | 61.0      | 30.0             | 155                | 210              | 65                      | 115          |
| 7.5 | 213T  | 3520   | 3           | 8.8            | 63           | H           | 89.6                   | 90.1           | 89.5            | 87.5             | 78.5         | 86.8     | 89.2      | 11.0             | 180                | 490              | 17                      | 30           |
| 7.5 | 213T  | 1765   | 5           | 9.7            | 63           | J           | 90.73                  | 91.7           | 91.7            | 90.2             | 60.5         | 72.3     | 78.9      | 22.0             | 270                | 450              | 25                      | 42           |
| 7.5 | 254T  | 1175   | 5           | 10             | 63           | H           | 91.1                   | 91.5           | 91.0            | 89.5             | 58.4         | 70.2     | 77.2      | 33.0             | 165                | 260              | 26                      | 45           |
| 7.5 | 256T  | 875    | 7.9         | 13             | 50           | G           | 87.0                   | 88             | 87.5            | 85.5             | 44.0         | 55.0     | 62.0      | 45.0             | 165                | 200              | 50                      | 100          |
| 10  | 215T  | 3515   | 3.5         | 11.5           | 81           | H           | 91.0                   | 91.1           | 90.2            | 88.5             | 81.5         | 88.8     | 90.3      | 15.0             | 180                | 440              | 14                      | 28           |
| 10  | 215T  | 1755   | 6.1         | 12.5           | 81           | H           | 91.7                   | 92.2           | 91.7            | 90.2             | 63.8         | 76.2     | 81.7      | 30.0             | 270                | 410              | 20                      | 36           |
| 10  | 256T  | 1175   | 6.3         | 13.5           | 81           | H           | 91.4                   | 91.6           | 91.0            | 89.5             | 61.0         | 71.6     | 76.2      | 45.0             | 165                | 250              | 18                      | 38           |
| 10  | 284T  | 885    | 11          | 17             | 81           | H           | 88.2                   | 89.8           | 90.2            | 89.5             | 42.0         | 53.0     | 61.0      | 59.0             | 160                | 240              | 15                      | 30           |
| 15  | 254T  | 3530   | 5.1         | 17.5           | 116          | G           | 90.7                   | 91.3           | 91.0            | 89.5             | 80.6         | 87.4     | 88.2      | 22.0             | 210                | 260              | 24                      | 48           |
| 15  | 254T  | 1770   | 11.8        | 19             | 116          | G           | 92.3                   | 92.8           | 92.4            | 91.0             | 64.5         | 74.7     | 80.0      | 44.0             | 185                | 235              | 21                      | 33           |
| 15  | 284T  | 1180   | 11          | 21             | 116          | G           | 90.9                   | 91.8           | 91.7            | 91.0             | 53.0         | 66.0     | 73.0      | 67.0             | 150                | 240              | 22                      | 48           |
| 15  | 286T  | 885    | 14          | 23             | 116          | G           | 89.4                   | 90.6           | 91.0            | 90.2             | 47.0         | 59.0     | 66.0      | 89.0             | 160                | 240              | 18                      | 35           |
| 20  | 256T  | 3515   | 5.2         | 22.5           | 145          | G           | 92.1                   | 91.6           | 91.0            | 89.5             | 86.2         | 91.3     | 91.5      | 30.0             | 185                | 230              | 20                      | 45           |
| 20  | 256T  | 1770   | 10.48       | 25             | 145          | H           | 93.1                   | 93.4           | 93.0            | 91.7             | 65.3         | 75.9     | 80.5      | 60.0             | 185                | 240              | 15                      | 33           |
| 20  | 286T  | 1180   | 13          | 27             | 145          | G           | 91.2                   | 92             | 91.7            | 91.0             | 57.0         | 69.0     | 76.0      | 89.0             | 150                | 240              | 20                      | 45           |
| 20  | 324T  | 885    | 18          | 32             | 145          | G           | 90.0                   | 90.8           | 91.0            | 90.2             | 46.0         | 58.0     | 65.0      | 119.0            | 140                | 200              | 15                      | 35           |
| 25  | 284TS | 3525   | 7           | 29             | 183          | G           | 91.4                   | 92.2           | 91.7            | 91.0             | 81.0         | 86.0     | 88.0      | 37.0             | 160                | 250              | 16                      | 30           |
| 25  | 284T  | 1775   | 11          | 30             | 183          | G           | 93.5                   | 94.0           | 93.6            | 93.0             | 71.0         | 80.0     | 84.0      | 74.0             | 180                | 250              | 24                      | 44           |
| 25  | 324T  | 1185   | 14          | 33             | 183          | G           | 92.7                   | 93.2           | 93              | 92.4             | 62.0         | 72.0     | 76.0      | 111.0            | 170                | 240              | 28                      | 54           |
| 25  | 326T  | 885    | 22          | 40             | 183          | G           | 90.4                   | 91.2           | 91.0            | 90.2             | 48.0         | 59.0     | 65.0      | 149.0            | 150                | 200              | 22                      | 40           |
| 30  | 286TS | 3530   | 8.5         | 34             | 218          | G           | 91.4                   | 92.2           | 91.7            | 91.0             | 84.0         | 89.0     | 90.0      | 45.0             | 160                | 250              | 16                      | 30           |
| 30  | 286T  | 1775   | 12          | 35             | 218          | G           | 93.9                   | 94.1           | 93.6            | 93.0             | 73.0         | 82.0     | 85.0      | 89.0             | 180                | 250              | 24                      | 44           |
| 30  | 326T  | 1185   | 15          | 39             | 218          | G           | 93.1                   | 93.5           | 93.0            | 92.4             | 61.0         | 73.0     | 77.0      | 133.0            | 170                | 220              | 26                      | 52           |
| 30  | 364T  | 885    | 26          | 47             | 218          | G           | 90.6                   | 92             | 91.7            | 91.0             | 49.0         | 61.0     | 65.0      | 178.0            | 150                | 200              | 22                      | 40           |

Typical performance data, not guaranteed

NEMA Premium® is a certification mark of the National Electrical Manufacturers Association.



# Typical performance data

## SIMOTICS General purpose – 460V 60HZ GP100A / GP100

NEMA Premium®  
Aluminum rotor

| HP  | Frame | FL RPM | Current (A) |                |              | kVA/ hp Code | Nominal Efficiency (%) |                |                 |                  | Power Factor |          |           | Torque           |                    |                  | Locked Rotor Stall Time |              |
|-----|-------|--------|-------------|----------------|--------------|--------------|------------------------|----------------|-----------------|------------------|--------------|----------|-----------|------------------|--------------------|------------------|-------------------------|--------------|
|     |       |        | No Load     | Full Load 460V | Locked Rotor |              | 1/2 Load - % -         | 3/4 Load - % - | Full Load - % - | Guar. Min. - % - | 1/2 Load     | 3/4 Load | Full Load | Full Load -lb-ft | Locked Rotor - % - | Break Down - % - | Hot - sec -             | Cold - sec - |
| 40  | 324TS | 3535   | 12          | 45             | 290          | G            | 94.0                   | 94.1           | 93.6            | 93.0             | 80           | 87       | 89        | 60               | 150                | 250              | 22                      | 45           |
| 40  | 324T  | 1780   | 15          | 46             | 290          | G            | 94.3                   | 94.1           | 94.1            | 93.6             | 75           | 83       | 86        | 118              | 180                | 230              | 22                      | 45           |
| 40  | 364T  | 1185   | 19          | 49             | 290          | G            | 94.4                   | 94.6           | 94.1            | 93.6             | 68           | 77       | 81        | 177              | 190                | 220              | 29                      | 55           |
| 40  | 365T  | 885    | 36          | 63             | 290          | G            | 90.7                   | 92.0           | 91.7            | N/A              | 49           | 60       | 65        | 237              | 150                | 200              | 25                      | 40           |
| 50  | 326TS | 3535   | 15          | 55             | 363          | G            | 93.8                   | 94.1           | 93.6            | 93               | 82           | 89       | 91        | 74               | 150                | 250              | 18                      | 37           |
| 50  | 326T  | 1780   | 20          | 58             | 363          | G            | 94.8                   | 95.0           | 94.5            | 94.1             | 72           | 81       | 85        | 148              | 170                | 230              | 22                      | 45           |
| 50  | 365T  | 1185   | 24          | 62             | 363          | G            | 94.0                   | 94.3           | 94.1            | N/A              | 67           | 76       | 80        | 222              | 190                | 220              | 29                      | 55           |
| 60  | 364TS | 3565   | 19          | 68             | 435          | G            | 93.8                   | 94.1           | 93.6            | 93.0             | 80           | 86       | 88        | 89               | 160                | 250              | 16                      | 28           |
| 60  | 364T  | 1780   | 21          | 68             | 435          | G            | 95.2                   | 95.4           | 95.0            | 94.5             | 77           | 85       | 87        | 177              | 180                | 240              | 26                      | 38           |
| 60  | 404T  | 1185   | 28          | 74             | 435          | G            | 94.2                   | 94.7           | 94.5            | 94.1             | 65           | 76       | 80        | 266              | 180                | 220              | 25                      | 50           |
| 75  | 365TS | 3565   | 22          | 86             | 543          | G            | 93.7                   | 94.3           | 94.1            | 93.6             | 81           | 86       | 88        | 111              | 160                | 260              | 16                      | 27           |
| 75  | 365T  | 1780   | 25          | 85             | 543          | G            | 95.6                   | 95.8           | 95.4            | 95.0             | 78           | 85       | 87        | 221              | 180                | 240              | 25                      | 35           |
| 75  | 405T  | 1185   | 34          | 93             | 543          | G            | 94.7                   | 94.9           | 94.5            | 94.1             | 68           | 77       | 80        | 332              | 180                | 220              | 33                      | 45           |
| 100 | 405T  | 1780   | 30          | 113            | 725          | G            | 95.8                   | 96.0           | 95.4            | 95.0             | 80           | 86       | 87        | 295              | 180                | 200              | 25                      | 35           |
| 100 | 444T  | 1185   | 39          | 117            | 725          | G            | 95.1                   | 95.3           | 95.0            | 94.5             | 73           | 81       | 84        | 443              | 160                | 200              | 30                      | 35           |
| 125 | 444TS | 3575   | 32          | 138            | 908          | G            | 94.5                   | 95.1           | 95.0            | 94.5             | 84           | 88       | 89        | 184              | 120                | 200              | 18                      | 23           |
| 125 | 444T  | 1785   | 45          | 143            | 908          | G            | 95.4                   | 95.6           | 95.4            | 95.0             | 78           | 84       | 86        | 368              | 160                | 200              | 20                      | 25           |
| 125 | 445T  | 1185   | 48          | 144            | 908          | G            | 95.1                   | 95.4           | 95.0            | 94.5             | 74           | 82       | 85        | 554              | 160                | 200              | 25                      | 35           |
| 150 | 445TS | 3575   | 37          | 164            | 1085         | G            | 94.2                   | 95.0           | 95.0            | 94.5             | 84           | 89       | 90        | 220              | 120                | 200              | 15                      | 18           |
| 150 | 445T  | 1785   | 52          | 170            | 1085         | G            | 95.7                   | 96.0           | 95.8            | 95.4             | 78           | 84       | 86        | 441              | 150                | 200              | 20                      | 30           |
| 150 | 447T  | 1190   | 59          | 172            | 1085         | G            | 95.6                   | 96.0           | 95.8            | 95.4             | 73           | 82       | 85        | 662              | 140                | 200              | 28                      | 43           |
| 200 | 447TS | 3575   | 44          | 216            | 1450         | G            | 95.3                   | 95.6           | 95.4            | 95.0             | 83           | 90       | 91        | 294              | 120                | 200              | 16                      | 20           |
| 200 | 447T  | 1785   | 73          | 228            | 1450         | G            | 96.2                   | 96.5           | 96.2            | 95.8             | 75           | 83       | 85        | 588              | 160                | 200              | 18                      | 25           |
| 200 | 449T  | 1190   | 73          | 227            | 1450         | G            | 95.6                   | 96.2           | 95.8            | 95.4             | 75           | 83       | 86        | 883              | 125                | 200              | 25                      | 32           |

ATOORSANAT

# Typical performance data

## SIMOTICS General purpose – 460V 60HZ

### GP100A / GP100

NEMA Premium®  
Copper rotor

| HP  | Frame | FL RPM | Current (A) |                |              | kVA/ hp Code | Nominal Efficiency (%) |                |                 |                  | Power Factor |          |           | Torque           |                    |                  | Locked Rotor Stall Time |              |
|-----|-------|--------|-------------|----------------|--------------|--------------|------------------------|----------------|-----------------|------------------|--------------|----------|-----------|------------------|--------------------|------------------|-------------------------|--------------|
|     |       |        | No Load     | Full Load 460V | Locked Rotor |              | 1/2 Load - % -         | 3/4 Load - % - | Full Load - % - | Guar. Min. - % - | 1/2 Load     | 3/4 Load | Full Load | Full Load -lb-ft | Locked Rotor - % - | Break Down - % - | Hot - sec -             | Cold - sec - |
| 1   | 143T  | 3550   | 0.7         | 1.4            | 12           | L            | 79.3                   | 82.1           | 82.5            | 81.5             | 65.00        | 77.00    | 81.10     | 1.5              | 175                | 380              | 12                      | 16           |
| 1   | 143T  | 1775   | 0.9         | 1.5            | 15           | N            | 83.0                   | 86.0           | 86.5            | 85.5             | 53.00        | 65.00    | 74.00     | 3.0              | 290                | 480              | 16                      | 20           |
| 1   | 145T  | 1175   | 1.0         | 1.6            | 12           | L            | 80.5                   | 83.5           | 84.0            | 82.5             | 49.00        | 61.00    | 70.00     | 4.5              | 210                | 380              | 19                      | 27           |
| 1.5 | 143T  | 3550   | 0.8         | 1.9            | 20           | M            | 83.0                   | 86.0           | 87.5            | 86.5             | 69.00        | 79.00    | 84.00     | 2.2              | 230                | 480              | 19                      | 26           |
| 1.5 | 145T  | 1770   | 1.2         | 2.1            | 20           | M            | 85.0                   | 87.0           | 87.5            | 86.5             | 57.00        | 69.00    | 77.00     | 4.4              | 250                | 460              | 14                      | 19           |
| 1.5 | 182T  | 1180   | 1.4         | 2.4            | 17           | L            | 84.5                   | 87.0           | 87.5            | 86.5             | 49.00        | 61.00    | 67.00     | 6.7              | 165                | 410              | 33                      | 50           |
| 2   | 145T  | 3550   | 1.2         | 2.6            | 25           | L            | 85.0                   | 88.0           | 88.5            | 87.5             | 66.00        | 77.00    | 83.00     | 3.0              | 250                | 490              | 18                      | 26           |
| 2   | 145T  | 1765   | 1.6         | 2.8            | 25           | L            | 86.0                   | 87.5           | 87.5            | 86.5             | 55.00        | 69.00    | 78.00     | 6.0              | 240                | 440              | 15                      | 21           |
| 2   | 184T  | 1180   | 1.8         | 3.0            | 22           | K            | 87.5                   | 89.0           | 88.5            | 87.5             | 47.00        | 59.00    | 67.00     | 8.9              | 190                | 400              | 30                      | 41           |
| 3   | 182T  | 3565   | 1.5         | 3.8            | 32           | K            | 85.5                   | 89.0           | 89.5            | 88.5             | 69.00        | 79.00    | 83.00     | 4.4              | 220                | 400              | 36                      | 51           |
| 3   | 182T  | 1770   | 1.8         | 4.0            | 33           | K            | 88.5                   | 90.0           | 90.2            | 89.5             | 63.00        | 73.00    | 79.00     | 8.9              | 230                | 390              | 31                      | 45           |
| 3   | 213T  | 1180   | 2.3         | 4.3            | 32           | K            | 88.5                   | 90.0           | 90.2            | 89.5             | 55.00        | 67.00    | 74.00     | 13.0             | 170                | 360              | 27                      | 35           |
| 5   | 184T  | 3550   | 2.3         | 6.2            | 46           | J            | 89.0                   | 90.2           | 90.2            | 89.5             | 70.00        | 80.00    | 84.00     | 7.4              | 200                | 440              | 21                      | 38           |
| 5   | 184T  | 1770   | 3.2         | 6.7            | 46           | J            | 89.5                   | 90.0           | 90.2            | 89.5             | 62.00        | 72.00    | 77.00     | 15.0             | 225                | 340              | 19                      | 35           |
| 5   | 215T  | 1180   | 3.5         | 7.0            | 46           | J            | 89.0                   | 90.5           | 90.2            | 89.5             | 56.00        | 68.00    | 76.00     | 22.0             | 190                | 350              | 21                      | 31           |
| 7.5 | 213T  | 3560   | 2.6         | 8.5            | 63           | H            | 91.0                   | 92.0           | 91.7            | 91.0             | 78.00        | 86.00    | 88.00     | 11.0             | 170                | 340              | 19                      | 31           |
| 7.5 | 213T  | 1775   | 4.0         | 9.5            | 63           | H            | 92.0                   | 92.5           | 92.4            | 91.7             | 65.00        | 76.00    | 81.00     | 22.0             | 250                | 340              | 34                      | 49           |
| 7.5 | 254T  | 1180   | 5.0         | 10.5           | 63           | H            | 91.5                   | 92.5           | 92.4            | 91.7             | 57.00        | 67.00    | 76.00     | 33.0             | 190                | 230              | 66                      | 92           |
| 10  | 215T  | 3555   | 3.4         | 11.5           | 81           | H            | 92.0                   | 92.3           | 91.7            | 91.0             | 78.00        | 86.00    | 89.00     | 15.0             | 200                | 360              | 13                      | 24           |
| 10  | 215T  | 1770   | 5.5         | 12.5           | 81           | H            | 92.0                   | 92.5           | 92.4            | 91.7             | 64.00        | 75.00    | 81.00     | 30.0             | 250                | 280              | 25                      | 41           |
| 10  | 256T  | 1185   | 6.5         | 13.5           | 81           | H            | 92.0                   | 92.5           | 92.4            | 91.7             | 57.00        | 68.00    | 72.00     | 44.0             | 240                | 250              | 45                      | 73           |
| 15  | 254T  | 3565   | 5.0         | 17.0           | 116          | G            | 91.0                   | 92.0           | 92.4            | 91.7             | 81.00        | 87.00    | 89.00     | 22.0             | 220                | 280              | 45                      | 81           |
| 15  | 254T  | 1780   | 7.3         | 19.0           | 116          | G            | 92.5                   | 93.5           | 93.0            | 92.4             | 66.00        | 76.00    | 79.00     | 44.0             | 200                | 250              | 25                      | 55           |
| 20  | 256T  | 3560   | 5.5         | 22.5           | 145          | G            | 92.0                   | 92.5           | 92.4            | 91.7             | 84.00        | 88.00    | 88.00     | 29.0             | 210                | 250              | 34                      | 75           |
| 20  | 256T  | 1780   | 9.5         | 25.0           | 145          | G            | 93.0                   | 93.5           | 93.6            | 93.0             | 68.00        | 78.00    | 80.00     | 59.0             | 190                | 230              | 28                      | 56           |

Typical performance data, not guaranteed  
NEMA Premium® is a certification mark of the National Electrical Manufacturers Association.

# Typical performance data

## SIMOTICS Severe duty – 460V 60HZ

### SD100 / SD100 IEEE841

NEMA Premium®  
Aluminum rotor

| HP  | Frame | FL RPM | Current (A) |                |              | kVA/ hp Code | Nominal Efficiency (%) |               |                |                 | Power Factor |          |           | Torque           |                   |                 | Locked Rotor Stall Time |             |
|-----|-------|--------|-------------|----------------|--------------|--------------|------------------------|---------------|----------------|-----------------|--------------|----------|-----------|------------------|-------------------|-----------------|-------------------------|-------------|
|     |       |        | No Load     | Full Load 460V | Locked Rotor |              | 1/2 Load -% -          | 3/4 Load -% - | Full Load -% - | Guar. Min. -% - | 1/2 Load     | 3/4 Load | Full Load | Full Load -lb-ft | Locked Rotor -% - | Break Down -% - | Hot -sec -              | Cold -sec - |
| 1   | 143T  | 3520   | 0.7         | 1.4            | 12           | K            | 79.3                   | 82.1          | 82.5           | 80.0            | 65.20        | 77.40    | 81.10     | 1.5              | 175               | 380             | 12                      | 16          |
| 1   | 143T  | 1760   | 0.7         | 1.4            | 14           | L            | 83.4                   | 85.4          | 85.5           | 82.5            | 58.40        | 71.50    | 78.20     | 3.0              | 295               | 380             | 18                      | 26          |
| 1   | 145T  | 1165   | 1.0         | 1.6            | 11           | K            | 80.2                   | 82.5          | 82.5           | 80.0            | 50.20        | 63.30    | 70.90     | 4.5              | 260               | 350             | 18                      | 31          |
| 1   | 182T  | 870    | 1.5         | 2.1            | 9            | J            | 77.0                   | 80.0          | 81.5           | 78.5            | 36.00        | 47.00    | 56.00     | 6.0              | 160               | 280             | 50                      | 68          |
| 1.5 | 143T  | 3525   | 1.1         | 2.0            | 19           | L            | 80.0                   | 83.2          | 84.0           | 81.5            | 64.20        | 77.00    | 83.60     | 2.2              | 270               | 450             | 14                      | 19          |
| 1.5 | 145T  | 1740   | 1.1         | 2.1            | 19           | L            | 85.8                   | 87.0          | 86.5           | 84.0            | 58.50        | 71.80    | 77.30     | 4.5              | 330               | 420             | 15                      | 21          |
| 1.5 | 182T  | 1160   | 1.4         | 2.4            | 16           | K            | 85.3                   | 87.6          | 87.5           | 85.5            | 48.40        | 58.40    | 66.90     | 6.8              | 205               | 330             | 34                      | 46          |
| 1.5 | 184T  | 865    | 2.3         | 3.0            | 17           | H            | 78.5                   | 82.0          | 82.5           | 80.0            | 35.00        | 47.00    | 56.00     | 9.1              | 160               | 280             | 43                      | 63          |
| 2   | 145T  | 3515   | 1.2         | 2.5            | 23           | L            | 84.0                   | 85.7          | 85.5           | 82.5            | 69.00        | 81.30    | 87.60     | 2.9              | 250               | 420             | 13                      | 18          |
| 2   | 145T  | 1740   | 1.5         | 2.7            | 24           | L            | 86.0                   | 87.2          | 86.5           | 84.0            | 57.80        | 70.80    | 77.30     | 6.0              | 320               | 390             | 14                      | 22          |
| 2   | 184T  | 1160   | 1.9         | 3.2            | 20           | J            | 87.5                   | 88.7          | 88.5           | 86.5            | 46.50        | 58.80    | 66.10     | 9.1              | 240               | 310             | 23                      | 32          |
| 2   | 213T  | 870    | 2.0         | 3.3            | 16           | H            | 84.0                   | 84.5          | 84.0           | 81.5            | 51.00        | 63.00    | 67.00     | 12.1             | 170               | 290             | 22                      | 38          |
| 3   | 182T  | 3520   | 1.7         | 3.8            | 30           | J            | 84.2                   | 86.3          | 86.5           | 84.0            | 69.50        | 79.80    | 85.50     | 4.4              | 185               | 380             | 20                      | 30          |
| 3   | 182T  | 1760   | 2.1         | 4.0            | 33           | K            | 87.8                   | 89.4          | 89.5           | 87.5            | 59.50        | 71.70    | 78.50     | 9.0              | 235               | 360             | 17                      | 29          |
| 3   | 213T  | 1175   | 2.5         | 4.3            | 32           | K            | 87.8                   | 89.3          | 89.5           | 87.5            | 52.10        | 65.40    | 73.00     | 13.4             | 265               | 470             | 23                      | 35          |
| 3   | 215T  | 870    | 3.0         | 4.8            | 25           | H            | 85.5                   | 86.5          | 85.5           | 82.5            | 45.00        | 59.00    | 68.00     | 18.1             | 175               | 290             | 19                      | 31          |
| 5   | 184T  | 3505   | 2.0         | 6.0            | 46           | H            | 88.2                   | 89.1          | 88.5           | 86.5            | 78.10        | 85.90    | 88.20     | 7.5              | 170               | 420             | 15                      | 29          |
| 5   | 184T  | 1755   | 3.0         | 6.4            | 50           | K            | 89.2                   | 90.0          | 89.5           | 87.5            | 63.60        | 75.10    | 80.50     | 15.0             | 220               | 350             | 14                      | 29          |
| 5   | 215T  | 1165   | 4.5         | 6.7            | 46           | H            | 89.5                   | 90.1          | 89.5           | 87.5            | 59.40        | 71.40    | 78.10     | 22.5             | 220               | 380             | 14                      | 21          |
| 5   | 254T  | 875    | 5.5         | 8.8            | 33           | F            | 85.5                   | 87.0          | 86.5           | 84.0            | 43.00        | 54.00    | 61.00     | 30.0             | 155               | 210             | 65                      | 115         |
| 7.5 | 213T  | 3520   | 3.0         | 8.8            | 63           | H            | 89.6                   | 90.1          | 89.5           | 87.5            | 78.50        | 86.80    | 89.20     | 11.0             | 180               | 490             | 17                      | 30          |
| 7.5 | 213T  | 1765   | 5.0         | 9.7            | 63           | J            | 90.7                   | 91.7          | 91.7           | 90.2            | 60.50        | 72.30    | 78.90     | 22.0             | 270               | 450             | 25                      | 42          |
| 7.5 | 254T  | 1175   | 5.0         | 10.0           | 63           | H            | 91.1                   | 91.5          | 91.0           | 89.5            | 58.40        | 70.20    | 77.20     | 33.0             | 165               | 260             | 26                      | 45          |
| 7.5 | 256T  | 875    | 7.9         | 13.0           | 50           | G            | 87.0                   | 88.0          | 87.5           | 85.5            | 0.44         | 0.55     | 0.62      | 45.0             | 165               | 200             | 50                      | 100         |
| 10  | 215T  | 3515   | 3.5         | 11.5           | 81           | H            | 91.0                   | 91.1          | 90.2           | 88.5            | 81.50        | 88.80    | 90.30     | 15.0             | 180               | 440             | 14                      | 28          |
| 10  | 215T  | 1755   | 6.1         | 12.5           | 81           | H            | 91.7                   | 92.2          | 91.7           | 90.2            | 63.80        | 76.20    | 81.70     | 30.0             | 270               | 410             | 20                      | 36          |
| 10  | 256T  | 1175   | 6.3         | 13.5           | 81           | H            | 91.4                   | 91.6          | 91.0           | 89.5            | 61.00        | 71.60    | 76.20     | 45.0             | 165               | 250             | 18                      | 38          |
| 10  | 284T  | 875    | 11.0        | 17.0           | 81           | H            | 88.2                   | 89.8          | 90.2           | 89.5            | 42.00        | 53.00    | 61.00     | 59.0             | 160               | 240             | 15                      | 30          |
| 15  | 254T  | 3530   | 5.1         | 17.5           | 116          | G            | 90.7                   | 91.3          | 91.0           | 89.5            | 80.60        | 87.40    | 88.20     | 22.0             | 210               | 260             | 24                      | 48          |
| 15  | 254T  | 1770   | 11.8        | 19.0           | 116          | G            | 92.3                   | 92.8          | 92.4           | 91.0            | 64.50        | 74.70    | 80.00     | 44.0             | 185               | 235             | 21                      | 33          |
| 15  | 284T  | 1180   | 8.8         | 17.0           | 93           | G            | 90.9                   | 91.8          | 91.7           | 91.0            | 53.00        | 66.00    | 73.00     | 67.0             | 150               | 240             | 22                      | 48          |
| 15  | 286T  | 875    | 14.0        | 23.0           | 116          | H            | 89.4                   | 90.6          | 91.0           | 90.2            | 47.00        | 59.00    | 66.00     | 89.0             | 160               | 240             | 18                      | 35          |
| 20  | 256T  | 3515   | 5.2         | 22.5           | 145          | G            | 92.1                   | 91.6          | 91.0           | 89.5            | 86.20        | 91.30    | 91.50     | 30.0             | 185               | 230             | 20                      | 45          |
| 20  | 256T  | 1770   | 10.5        | 25.0           | 145          | H            | 93.1                   | 93.4          | 93.0           | 91.7            | 65.30        | 75.90    | 80.50     | 60.0             | 185               | 240             | 15                      | 33          |
| 20  | 286T  | 1180   | 10.5        | 21.5           | 116          | G            | 91.2                   | 92.0          | 91.7           | 91.0            | 57.00        | 69.00    | 76.00     | 89.0             | 150               | 240             | 20                      | 45          |
| 20  | 324T  | 880    | 18.0        | 32.0           | 145          | G            | 90.0                   | 90.8          | 91.0           | 90.2            | 46.00        | 58.00    | 65.00     | 119.0            | 140               | 200             | 15                      | 35          |
| 25  | 284TS | 3525   | 7.0         | 29.0           | 183          | G            | 91.4                   | 92.2          | 91.7           | 91.0            | 81.00        | 86.00    | 88.00     | 37.0             | 160               | 250             | 16                      | 30          |
| 25  | 284T  | 1775   | 11.0        | 30.0           | 183          | G            | 93.5                   | 94.0          | 93.6           | 93.0            | 71.00        | 80.00    | 84.00     | 74.0             | 180               | 250             | 24                      | 44          |
| 25  | 324T  | 1185   | 14.0        | 33.0           | 183          | G            | 92.7                   | 93.2          | 93.0           | 92.4            | 62.00        | 72.00    | 76.00     | 111.0            | 170               | 240             | 28                      | 54          |
| 25  | 326T  | 880    | 22.0        | 40.0           | 183          | G            | 90.4                   | 91.2          | 91.0           | 90.2            | 48.00        | 59.00    | 65.00     | 149.0            | 150               | 200             | 22                      | 40          |
| 30  | 286TS | 3530   | 8.5         | 34.0           | 218          | G            | 91.4                   | 92.2          | 91.7           | 91.0            | 84.00        | 89.00    | 90.00     | 45.0             | 160               | 250             | 16                      | 30          |
| 30  | 286T  | 1775   | 12.0        | 35.0           | 227          | G            | 93.9                   | 94.1          | 93.6           | 93.0            | 73.00        | 82.00    | 85.00     | 89.0             | 180               | 250             | 24                      | 44          |
| 30  | 326T  | 1185   | 15.0        | 39.0           | 218          | G            | 93.1                   | 93.5          | 93.0           | 92.4            | 61.00        | 73.00    | 77.00     | 133.0            | 170               | 220             | 26                      | 52          |
| 30  | 364T  | 885    | 18.0        | 41.0           | 210          | G            | 90.6                   | 92.0          | 91.7           | 91.0            | 49.00        | 61.00    | 65.00     | 178.0            | 150               | 200             | 22                      | 40          |

Introduction

General Purpose Motors

Severe Duty Motors

Hazardous Duty Motors

Definite Purpose Motors

Special Features Detail

Options Selection and Pricing

Typical Performance Data

General Dimensions

Part Number Index

# Typical performance data

## SIMOTICS Severe duty – 460V 60HZ

### SD100 / SD100 IEEE841

NEMA Premium<sup>®</sup>  
Aluminum rotor

| HP  | Frame  | FL RPM | Current (A) |                |              | kVA/ hp Code | Nominal Efficiency (%) |                |                 |                  | Power Factor |          |           | Torque           |                    |                  | Locked Rotor Stall Time |              |
|-----|--------|--------|-------------|----------------|--------------|--------------|------------------------|----------------|-----------------|------------------|--------------|----------|-----------|------------------|--------------------|------------------|-------------------------|--------------|
|     |        |        | No Load     | Full Load 460V | Locked Rotor |              | 1/2 Load - % -         | 3/4 Load - % - | Full Load - % - | Guar. Min. - % - | 1/2 Load     | 3/4 Load | Full Load | Full Load -lb-ft | Locked Rotor - % - | Break Down - % - | Hot - sec -             | Cold - sec - |
| 40  | 324TS  | 3535   | 12.0        | 45.0           | 290          | G            | 94.0                   | 94.1           | 93.6            | 93.0             | 80.00        | 87.00    | 89.00     | 60.0             | 150                | 250              | 22                      | 45           |
| 40  | 324T   | 1780   | 15.0        | 46.0           | 290          | G            | 94.3                   | 94.1           | 94.1            | 93.6             | 75.00        | 83.00    | 86.00     | 118.0            | 180                | 230              | 22                      | 45           |
| 40  | 364T   | 1185   | 18.0        | 49.0           | 290          | G            | 94.4                   | 94.1           | 94.1            | 93.6             | 70.00        | 79.00    | 81.00     | 177.0            | 190                | 220              | 29                      | 55           |
| 40  | 365T   | 885    | 36.0        | 63.0           | 290          | G            | 93.0                   | 93.1           | 91.7            | 91.0             | 49.00        | 60.00    | 65.00     | 237.0            | 150                | 200              | 25                      | 40           |
| 50  | 326TS  | 3535   | 15.0        | 55.0           | 363          | G            | 93.8                   | 94.1           | 93.6            | 93.0             | 82.00        | 89.00    | 91.00     | 74.0             | 150                | 250              | 18                      | 37           |
| 50  | 326T   | 1780   | 19.0        | 58.0           | 363          | G            | 94.8                   | 95.0           | 94.5            | 94.1             | 74.00        | 82.00    | 85.00     | 148.0            | 170                | 230              | 22                      | 45           |
| 50  | 365T   | 1185   | 24.0        | 62.0           | 363          | G            | 94.0                   | 94.3           | 94.1            | 93.6             | 67.00        | 76.00    | 80.00     | 222.0            | 190                | 220              | 29                      | 55           |
| 50  | 404T   | 885    | 28.0        | 67.0           | 363          | G            | 93.0                   | 93.1           | 92.4            | 91.7             | 64.00        | 73.00    | 76.00     | 297.0            | 140                | 200              | 25                      | 40           |
| 60  | 364TS  | 3565   | 19.0        | 68.0           | 435          | G            | 93.8                   | 94.1           | 93.6            | 93.0             | 80.00        | 86.00    | 88.00     | 89.0             | 160                | 250              | 16                      | 28           |
| 60  | 364T   | 1780   | 21.0        | 68.0           | 435          | G            | 95.2                   | 95.4           | 95.0            | 94.5             | 77.00        | 85.00    | 87.00     | 177.0            | 180                | 240              | 26                      | 38           |
| 60  | 404T   | 1185   | 28.0        | 74.0           | 435          | G            | 94.2                   | 94.7           | 94.5            | 94.1             | 65.00        | 76.00    | 80.00     | 266.0            | 180                | 220              | 25                      | 50           |
| 60  | 405T   | 885    | 30.0        | 78.0           | 435          | G            | 93.0                   | 93.1           | 92.4            | 91.7             | 66.00        | 75.00    | 78.00     | 356.0            | 140                | 200              | 30                      | 35           |
| 75  | 365TS  | 3565   | 22.0        | 86.0           | 543          | G            | 93.7                   | 94.3           | 94.1            | 93.6             | 81.00        | 86.00    | 88.00     | 111.0            | 160                | 260              | 16                      | 27           |
| 75  | 365T   | 1780   | 25.0        | 85.0           | 543          | G            | 95.6                   | 95.8           | 95.4            | 95.0             | 78.00        | 85.00    | 87.00     | 221.0            | 180                | 240              | 25                      | 35           |
| 75  | 405T   | 1185   | 34.0        | 93.0           | 543          | G            | 94.7                   | 94.9           | 94.5            | 94.1             | 68.00        | 77.00    | 80.00     | 332.0            | 180                | 220              | 33                      | 45           |
| 75  | 444T   | 885    | 37.0        | 94.0           | 543          | G            | 93.5                   | 93.9           | 93.6            | 93.0             | 67.00        | 76.00    | 80.00     | 445.0            | 135                | 200              | 25                      | 32           |
| 100 | 405TS  | 3570   | 19.0        | 108.0          | 725          | G            | 94.6                   | 94.7           | 94.1            | 93.6             | 90.00        | 92.00    | 92.00     | 147.0            | 120                | 200              | 25                      | 45           |
| 100 | 405T   | 1780   | 30.0        | 113.0          | 725          | G            | 95.8                   | 96.0           | 95.4            | 95.0             | 80.00        | 86.00    | 87.00     | 295.0            | 180                | 200              | 25                      | 35           |
| 100 | 444T   | 1185   | 39.0        | 117.0          | 725          | G            | 95.1                   | 95.3           | 95.0            | 94.5             | 73.00        | 81.00    | 84.00     | 443.0            | 160                | 200              | 30                      | 35           |
| 100 | 445T   | 885    | 48.0        | 123.0          | 725          | G            | 94.2                   | 94.5           | 94.1            | 93.6             | 70.00        | 78.00    | 81.00     | 593.0            | 130                | 200              | 22                      | 30           |
| 125 | 444TS  | 3575   | 37.0        | 140.0          | 908          | G            | 94.5                   | 95.1           | 95.0            | 94.5             | 84.00        | 88.00    | 89.00     | 184.0            | 110                | 200              | 18                      | 23           |
| 125 | 444T   | 1785   | 45.0        | 143.0          | 908          | G            | 95.4                   | 95.6           | 95.4            | 95.0             | 78.00        | 84.00    | 86.00     | 368.0            | 160                | 200              | 20                      | 25           |
| 125 | 445T   | 1185   | 48.0        | 144.0          | 908          | G            | 95.1                   | 95.4           | 95.0            | 94.5             | 74.00        | 82.00    | 85.00     | 554.0            | 160                | 200              | 25                      | 35           |
| 125 | 447T   | 885    | 54.0        | 152.0          | 908          | G            | 94.6                   | 94.7           | 94.1            | 93.6             | 70.00        | 79.00    | 82.00     | 742.0            | 130                | 200              | 20                      | 30           |
| 150 | 445TS  | 3575   | 43.0        | 162.0          | 1085         | G            | 94.2                   | 95.0           | 95.0            | 94.5             | 84.00        | 89.00    | 90.00     | 220.0            | 120                | 200              | 15                      | 18           |
| 150 | 445T   | 1785   | 52.0        | 170.0          | 1085         | G            | 95.7                   | 96.0           | 95.8            | 95.4             | 78.00        | 84.00    | 86.00     | 441.0            | 150                | 200              | 20                      | 30           |
| 150 | 447T   | 1190   | 59.0        | 172.0          | 1085         | G            | 95.6                   | 96.0           | 95.8            | 95.4             | 73.00        | 82.00    | 85.00     | 662.0            | 140                | 200              | 28                      | 43           |
| 150 | 449T   | 885    | 61.0        | 180.0          | 1085         | G            | 94.3                   | 94.5           | 94.1            | 93.6             | 72.00        | 80.00    | 83.00     | 890.0            | 130                | 200              | 20                      | 25           |
| 200 | 447TS  | 3575   | 59.0        | 220.0          | 1450         | G            | 95.3                   | 95.6           | 95.4            | 95.0             | 83.00        | 90.00    | 91.00     | 294.0            | 120                | 200              | 16                      | 20           |
| 200 | 447T   | 1785   | 70.0        | 226.0          | 1450         | G            | 96.2                   | 96.5           | 96.2            | 95.8             | 76.00        | 84.00    | 86.00     | 588.0            | 160                | 200              | 18                      | 25           |
| 200 | 449T   | 1190   | 73.0        | 227.0          | 1450         | G            | 95.6                   | 96.2           | 95.8            | 95.4             | 75.00        | 83.00    | 86.00     | 883.0            | 125                | 200              | 25                      | 32           |
| 200 | S449LS | 885    | 78.0        | 240.0          | 1450         | G            | 95.0                   | 95.0           | 94.5            | 94.1             | 71.00        | 79.00    | 83.00     | 1187.0           | 125                | 200              | 15                      | 25           |
| 250 | 449TS  | 3575   | 51.0        | 261.0          | 1825         | G            | 95.7                   | 96.0           | 95.8            | 95.4             | 89.00        | 91.00    | 91.00     | 368.0            | 90                 | 200              | 12                      | 18           |
| 250 | 449T   | 1785   | 90.0        | 278.0          | 2100         | H            | 96.1                   | 96.3           | 96.2            | 95.8             | 78.00        | 85.00    | 87.00     | 735.0            | 140                | 200              | 18                      | 25           |
| 250 | 449T   | 1190   | 86.0        | 281.0          | 2050         | H            | 95.7                   | 96.0           | 95.8            | 95.4             | 81.00        | 86.00    | 87.00     | 1104.0           | 120                | 200              | 20                      | 25           |
| 250 | S449LS | 885    | 109.0       | 303.0          | 1825         | G            | 94.5                   | 94.8           | 94.5            | 94.1             | 70.00        | 78.00    | 82.00     | 1483.0           | 105                | 200              | 25                      | 32           |
| 300 | 449TS  | 3570   | 60.0        | 312.0          | 2200         | F            | 95.6                   | 96.0           | 95.8            | 95.4             | 87.00        | 90.00    | 91.00     | 441.0            | 80                 | 200              | 12                      | 13           |
| 300 | S449LS | 1785   | 114.0       | 334.0          | 2400         | H            | 96.1                   | 96.3           | 96.2            | 95.8             | 75.00        | 83.00    | 86.00     | 882.0            | 140                | 200              | 22                      | 30           |
| 300 | S449LS | 1185   | 119.0       | 340.0          | 2200         | G            | 96.0                   | 96.1           | 95.8            | 95.4             | 82.00        | 85.00    | 86.00     | 1329.0           | 105                | 200              | 26                      | 33           |
| 350 | S449SS | 3570   | 68.0        | 370.0          | 2550         | G            | 95.8                   | 96.1           | 95.8            | 95.4             | 89.00        | 91.00    | 92.00     | 515.0            | 80                 | 200              | 20                      | 26           |
| 350 | S449LS | 1785   | 115.0       | 390.0          | 2550         | G            | 95.8                   | 96.3           | 96.2            | 95.8             | 77.00        | 84.00    | 86.00     | 1029.0           | 100                | 200              | 25                      | 32           |
| 400 | S449SS | 3570   | 80.0        | 422.0          | 2900         | G            | 94.6                   | 96.1           | 95.8            | 95.4             | 89.00        | 92.00    | 93.00     | 588.0            | 80                 | 200              | 21                      | 26           |
| 400 | S449LS | 1785   | 130.0       | 454.0          | 2900         | G            | 96.0                   | 96.4           | 96.2            | 95.8             | 77.00        | 84.00    | 86.00     | 1176.0           | 100                | 200              | 21                      | 26           |

Typical performance data, not guaranteed

NEMA Premium<sup>®</sup> is a certification mark of the National Electrical Manufacturers Association.

# Typical performance data

## SIMOTICS Severe duty – 460V 60HZ

### SD100 / SD100 IEEE841

NEMA Premium®  
Copper rotor

| HP  | Frame | FL RPM | Current (A) |                |              | kVA/ hp Code | Nominal Efficiency (%) |                |                 |                  | Power Factor |          |           | Torque           |                    |                  | Locked Rotor Stall Time |             |
|-----|-------|--------|-------------|----------------|--------------|--------------|------------------------|----------------|-----------------|------------------|--------------|----------|-----------|------------------|--------------------|------------------|-------------------------|-------------|
|     |       |        | No Load     | Full Load 460V | Locked Rotor |              | 1/2 Load - % -         | 3/4 Load - % - | Full Load - % - | Guar. Min. - % - | 1/2 Load     | 3/4 Load | Full Load | Full Load -lb-ft | Locked Rotor - % - | Break Down - % - | Hot - sec-              | Cold - sec- |
| 1   | 143T  | 3550   | 0.7         | 1.4            | 12           | L            | 79.3                   | 82.1           | 82.5            | 81.5             | 65.00        | 77.00    | 81.10     | 1.5              | 175                | 380              | 12                      | 16          |
| 1   | 143T  | 1775   | 0.9         | 1.5            | 15           | N            | 83.0                   | 86.0           | 86.5            | 85.5             | 53.00        | 65.00    | 74.00     | 3.0              | 290                | 480              | 16                      | 20          |
| 1   | 145T  | 1175   | 1.0         | 1.6            | 12           | L            | 80.5                   | 83.5           | 84.0            | 82.5             | 49.00        | 61.00    | 70.00     | 4.5              | 210                | 280              | 19                      | 27          |
| 1.5 | 143T  | 3550   | 0.8         | 1.9            | 20           | M            | 83.0                   | 86.0           | 87.5            | 86.5             | 69.00        | 79.00    | 84.00     | 2.2              | 230                | 480              | 19                      | 26          |
| 1.5 | 145T  | 1770   | 1.2         | 2.1            | 20           | M            | 85.0                   | 87.0           | 87.5            | 86.5             | 57.00        | 69.00    | 77.00     | 4.4              | 250                | 460              | 14                      | 19          |
| 1.5 | 182T  | 1180   | 1.4         | 2.4            | 17           | L            | 84.5                   | 87.0           | 87.5            | 86.5             | 49.00        | 61.00    | 67.00     | 6.7              | 165                | 410              | 33                      | 50          |
| 2   | 145T  | 3550   | 1.2         | 2.6            | 25           | L            | 85.0                   | 88.0           | 88.5            | 87.5             | 66.00        | 77.00    | 83.00     | 3.0              | 250                | 490              | 18                      | 26          |
| 2   | 145T  | 1765   | 1.6         | 2.8            | 25           | L            | 86.0                   | 87.5           | 87.5            | 86.5             | 55.00        | 69.00    | 78.00     | 6.0              | 240                | 440              | 15                      | 21          |
| 2   | 184T  | 1180   | 1.8         | 3.0            | 22           | K            | 87.5                   | 89.0           | 88.5            | 87.5             | 47.00        | 59.00    | 67.00     | 8.9              | 190                | 400              | 30                      | 41          |
| 3   | 182T  | 3565   | 1.5         | 3.8            | 32           | K            | 85.5                   | 89.0           | 89.5            | 88.5             | 69.00        | 79.00    | 83.00     | 4.4              | 220                | 400              | 36                      | 51          |
| 3   | 182T  | 1770   | 1.8         | 4.0            | 33           | K            | 88.5                   | 90.0           | 90.2            | 89.5             | 63.00        | 73.00    | 79.00     | 8.9              | 230                | 390              | 31                      | 45          |
| 3   | 213T  | 1180   | 2.3         | 4.3            | 32           | K            | 88.5                   | 90.0           | 90.2            | 89.5             | 55.00        | 67.00    | 74.00     | 13.0             | 175                | 360              | 27                      | 35          |
| 5   | 184T  | 3550   | 2.3         | 6.2            | 46           | J            | 89.0                   | 90.2           | 90.2            | 89.5             | 70.00        | 80.00    | 84.00     | 7.4              | 200                | 440              | 21                      | 38          |
| 5   | 184T  | 1770   | 3.2         | 6.7            | 46           | J            | 89.5                   | 90.0           | 90.2            | 89.5             | 62.00        | 72.00    | 77.00     | 15.0             | 225                | 340              | 19                      | 35          |
| 5   | 215T  | 1180   | 3.5         | 7.0            | 46           | J            | 89.0                   | 90.5           | 90.2            | 89.5             | 56.00        | 68.00    | 76.00     | 22.0             | 190                | 350              | 21                      | 31          |
| 7.5 | 213T  | 3560   | 2.6         | 8.5            | 63           | H            | 91.0                   | 92.0           | 91.7            | 91.0             | 78.00        | 86.00    | 88.00     | 11.0             | 170                | 340              | 19                      | 31          |
| 7.5 | 213T  | 1775   | 4.0         | 9.5            | 63           | H            | 92.0                   | 92.5           | 92.4            | 91.7             | 65.00        | 76.00    | 81.00     | 22.0             | 250                | 340              | 34                      | 49          |
| 7.5 | 254T  | 1180   | 5.0         | 10.5           | 63           | H            | 91.5                   | 92.5           | 92.4            | 91.7             | 57.00        | 67.00    | 76.00     | 33.0             | 190                | 230              | 66                      | 92          |
| 10  | 215T  | 3555   | 3.4         | 11.5           | 81           | H            | 92.0                   | 92.3           | 91.7            | 91.0             | 78.00        | 86.00    | 89.00     | 15.0             | 200                | 360              | 13                      | 24          |
| 10  | 215T  | 1770   | 5.5         | 12.5           | 81           | H            | 92.0                   | 92.5           | 92.4            | 91.7             | 64.00        | 75.00    | 81.00     | 30.0             | 250                | 280              | 25                      | 41          |
| 10  | 256T  | 1185   | 6.5         | 13.5           | 81           | H            | 92.0                   | 92.5           | 92.4            | 91.7             | 57.00        | 68.00    | 72.00     | 44.0             | 240                | 250              | 45                      | 73          |
| 15  | 254T  | 3565   | 5.0         | 17.0           | 116          | G            | 91.0                   | 92.0           | 92.4            | 91.7             | 81.00        | 87.00    | 89.00     | 22.0             | 220                | 280              | 45                      | 81          |
| 15  | 254T  | 1780   | 7.3         | 19.0           | 116          | G            | 92.5                   | 93.5           | 93.0            | 92.4             | 66.00        | 76.00    | 79.00     | 44.0             | 200                | 250              | 25                      | 55          |
| 20  | 256T  | 3560   | 5.5         | 22.5           | 145          | G            | 92.0                   | 92.5           | 92.4            | 91.7             | 84.00        | 88.00    | 88.00     | 29.0             | 210                | 250              | 34                      | 75          |
| 20  | 256T  | 1780   | 9.5         | 25.0           | 145          | G            | 93.0                   | 93.5           | 93.6            | 93.0             | 68.00        | 78.00    | 80.00     | 59.0             | 190                | 230              | 28                      | 56          |

Typical performance data, not guaranteed  
NEMA Premium® is a certification mark of the National Electrical Manufacturers Association.

# Typical performance data

## SIMOTICS Explosion proof – 460V 60HZ

### XP100 / XP100 IDI

NEMA Premium®

| HP  | Frame | FL RPM | Current (A) |                |              | kVA/ hp Code | Nominal Efficiency (%) |                |                |                  | Power Factor |          |           | Torque           |                    |                  | Locked Rotor Stall Time |             |
|-----|-------|--------|-------------|----------------|--------------|--------------|------------------------|----------------|----------------|------------------|--------------|----------|-----------|------------------|--------------------|------------------|-------------------------|-------------|
|     |       |        | No Load     | Full Load 460V | Locked Rotor |              | 1/2 Load - % -         | 3/4 Load - % - | Full Load- % - | Guar. Min. - % - | 1/2 Load     | 3/4 Load | Full Load | Full Load -lb-ft | Locked Rotor - % - | Break Down - % - | Hot - sec-              | Cold - sec- |
| 1   | 143T  | 3520   | 0.7         | 1.4            | 12           | K            | 79.3                   | 82.1           | 82.5           | 80.0             | 65.20        | 77.40    | 81.10     | 1.5              | 175                | 380              | 12                      | 16          |
| 1   | 143T  | 1760   | 0.7         | 1.4            | 14           | L            | 83.4                   | 85.4           | 85.5           | 82.5             | 58.40        | 71.50    | 78.20     | 3.0              | 295                | 380              | 18                      | 26          |
| 1   | 145T  | 1165   | 1.0         | 1.6            | 11           | K            | 80.2                   | 82.5           | 82.5           | 80.0             | 50.20        | 63.30    | 70.90     | 4.5              | 260                | 350              | 18                      | 31          |
| 1   | 182T  | 870    | 1.5         | 2.1            | 9            | J            | 77.0                   | 80.0           | 81.5           | 78.5             | 36.00        | 47.00    | 56.00     | 6.0              | 160                | 280              | 50                      | 68          |
| 1.5 | 143T  | 3525   | 1.1         | 2.0            | 19           | L            | 80.0                   | 83.2           | 84.0           | 81.5             | 64.20        | 77.00    | 83.60     | 2.2              | 270                | 450              | 14                      | 19          |
| 1.5 | 145T  | 1740   | 1.1         | 2.1            | 19           | L            | 85.8                   | 87.0           | 86.5           | 84.0             | 58.50        | 71.80    | 77.30     | 4.5              | 330                | 420              | 15                      | 21          |
| 1.5 | 182T  | 1160   | 1.4         | 2.4            | 16           | K            | 85.3                   | 87.6           | 87.5           | 85.5             | 48.40        | 58.40    | 66.90     | 6.8              | 205                | 330              | 34                      | 46          |
| 1.5 | 184T  | 865    | 2.3         | 3.0            | 17           | H            | 78.5                   | 82.0           | 82.5           | 80.0             | 35.00        | 47.00    | 56.00     | 9.1              | 160                | 280              | 43                      | 63          |
| 2   | 145T  | 3515   | 1.2         | 2.5            | 23           | L            | 84.0                   | 85.7           | 85.5           | 82.5             | 69.00        | 81.30    | 87.60     | 2.9              | 250                | 420              | 13                      | 18          |
| 2   | 145T  | 1740   | 1.5         | 2.7            | 24           | L            | 86.0                   | 87.2           | 86.5           | 84.0             | 57.80        | 70.80    | 77.30     | 6.0              | 320                | 390              | 14                      | 22          |
| 2   | 184T  | 1160   | 1.9         | 3.2            | 20           | J            | 87.5                   | 88.7           | 88.5           | 86.5             | 46.50        | 58.80    | 66.10     | 9.1              | 240                | 310              | 23                      | 32          |
| 2   | 213T  | 870    | 2.0         | 3.3            | 16           | H            | 84.0                   | 84.5           | 84.0           | 81.5             | 51.00        | 63.00    | 67.00     | 12.1             | 170                | 290              | 22                      | 38          |
| 3   | 182T  | 3520   | 1.7         | 3.8            | 30           | J            | 84.2                   | 86.3           | 86.5           | 84.0             | 69.50        | 79.80    | 85.50     | 4.4              | 185                | 380              | 20                      | 30          |
| 3   | 182T  | 1760   | 2.1         | 4.0            | 33           | K            | 87.8                   | 89.4           | 89.5           | 87.5             | 59.50        | 71.70    | 78.50     | 9.0              | 235                | 360              | 17                      | 29          |
| 3   | 213T  | 1175   | 2.5         | 4.3            | 32           | K            | 87.8                   | 89.3           | 89.5           | 87.5             | 52.10        | 65.40    | 73.00     | 13.4             | 265                | 470              | 23                      | 35          |
| 3   | 215T  | 870    | 3.0         | 4.8            | 25           | H            | 85.5                   | 86.5           | 85.5           | 82.5             | 45.00        | 59.00    | 68.00     | 18.1             | 175                | 290              | 19                      | 31          |
| 5   | 184T  | 3505   | 2.0         | 6.0            | 46           | H            | 88.2                   | 89.1           | 88.5           | 86.5             | 78.10        | 85.90    | 88.20     | 7.5              | 170                | 420              | 15                      | 29          |
| 5   | 184T  | 1755   | 3.0         | 6.4            | 50           | J            | 89.2                   | 90.0           | 89.5           | 87.5             | 63.60        | 75.10    | 80.50     | 15.0             | 220                | 350              | 14                      | 29          |
| 5   | 215T  | 1165   | 4.5         | 6.7            | 46           | H            | 89.5                   | 90.1           | 89.5           | 87.5             | 59.40        | 71.40    | 78.10     | 22.5             | 220                | 380              | 14                      | 21          |
| 5   | 254T  | 875    | 5.5         | 8.8            | 33           | F            | 85.5                   | 87.0           | 86.5           | 84.0             | 43.00        | 54.00    | 61.00     | 30.0             | 155                | 210              | 65                      | 115         |
| 7.5 | 213T  | 3520   | 3.0         | 8.8            | 63           | H            | 89.6                   | 90.1           | 89.5           | 87.5             | 78.50        | 86.80    | 89.20     | 11.0             | 180                | 490              | 17                      | 30          |
| 7.5 | 213T  | 1765   | 5.0         | 9.7            | 63           | J            | 90.7                   | 91.7           | 91.7           | 90.2             | 60.50        | 72.30    | 78.90     | 22.0             | 270                | 450              | 25                      | 42          |
| 7.5 | 254T  | 1175   | 5.0         | 10.0           | 63           | H            | 91.1                   | 91.5           | 91.0           | 89.5             | 58.40        | 70.20    | 77.20     | 45.0             | 165                | 260              | 26                      | 45          |
| 7.5 | 256T  | 875    | 7.9         | 13.0           | 50           | G            | 87.0                   | 88.0           | 87.5           | 85.5             | 0.44         | 0.55     | 0.62      | 61.0             | 165                | 200              | 50                      | 100         |
| 10  | 215T  | 3515   | 3.5         | 11.5           | 81           | H            | 91.0                   | 91.1           | 90.2           | 88.5             | 81.50        | 88.80    | 90.30     | 15.0             | 180                | 440              | 14                      | 28          |
| 10  | 215T  | 1755   | 6.1         | 12.5           | 81           | H            | 91.7                   | 92.2           | 91.7           | 90.2             | 63.80        | 76.20    | 81.70     | 30.0             | 270                | 410              | 20                      | 36          |
| 10  | 256T  | 1175   | 6.3         | 13.5           | 81           | H            | 91.4                   | 91.6           | 91.0           | 89.5             | 61.00        | 71.60    | 76.20     | 45.0             | 165                | 250              | 18                      | 38          |
| 10  | 284T  | 885    | 11.0        | 17.0           | 81           | H            | 88.2                   | 89.8           | 90.2           | 89.5             | 42.00        | 53.00    | 61.00     | 59.0             | 160                | 240              | 15                      | 30          |
| 15  | 254T  | 3530   | 5.1         | 17.5           | 116          | G            | 90.7                   | 91.3           | 91.0           | 89.5             | 80.60        | 87.40    | 88.20     | 22.0             | 210                | 260              | 24                      | 48          |
| 15  | 254T  | 1770   | 11.8        | 19.0           | 116          | G            | 92.3                   | 92.8           | 92.4           | 91.0             | 64.50        | 74.70    | 80.00     | 44.0             | 185                | 235              | 21                      | 33          |
| 15  | 284T  | 1180   | 8.8         | 17.0           | 93           | G            | 90.9                   | 91.8           | 91.7           | 91.0             | 53.00        | 66.00    | 73.00     | 67.0             | 150                | 240              | 22                      | 48          |
| 15  | 286T  | 885    | 14.0        | 23.0           | 116          | H            | 89.4                   | 90.6           | 91.0           | 90.2             | 47.00        | 59.00    | 66.00     | 89.0             | 160                | 240              | 18                      | 35          |
| 20  | 256T  | 3515   | 5.2         | 22.5           | 145          | G            | 92.1                   | 91.6           | 91.0           | 89.5             | 86.20        | 91.30    | 91.50     | 30.0             | 185                | 230              | 20                      | 45          |
| 20  | 256T  | 1770   | 10.5        | 25.0           | 145          | H            | 93.1                   | 93.4           | 93.0           | 91.7             | 65.30        | 75.90    | 80.50     | 60.0             | 185                | 240              | 15                      | 33          |
| 20  | 286T  | 1180   | 10.5        | 21.5           | 116          | G            | 91.2                   | 92.0           | 91.7           | 91.0             | 57.00        | 69.00    | 76.00     | 89.0             | 150                | 240              | 20                      | 45          |
| 20  | 324T  | 885    | 18.0        | 32.0           | 145          | G            | 90.0                   | 90.8           | 91.0           | 90.2             | 46.00        | 58.00    | 65.00     | 119.0            | 140                | 200              | 15                      | 35          |
| 25  | 284TS | 3525   | 7.0         | 29.0           | 183          | G            | 91.4                   | 92.2           | 91.7           | 91.0             | 81.00        | 86.00    | 88.00     | 37.0             | 160                | 250              | 16                      | 30          |
| 25  | 284T  | 1775   | 11.0        | 30.0           | 183          | G            | 93.5                   | 94.0           | 93.6           | 93.0             | 71.00        | 80.00    | 84.00     | 74.0             | 180                | 250              | 24                      | 44          |
| 25  | 324T  | 1185   | 14.0        | 33.0           | 183          | G            | 92.7                   | 93.2           | 93.0           | 92.4             | 62.00        | 72.00    | 76.00     | 111.0            | 170                | 240              | 28                      | 54          |
| 25  | 326T  | 885    | 22.0        | 40.0           | 183          | G            | 90.4                   | 91.2           | 91.0           | 90.2             | 48.00        | 59.00    | 65.00     | 149.0            | 150                | 200              | 22                      | 40          |
| 30  | 286TS | 3530   | 8.5         | 34.0           | 218          | G            | 91.4                   | 92.2           | 91.7           | 91.0             | 84.00        | 89.00    | 90.00     | 45.0             | 160                | 250              | 16                      | 30          |
| 30  | 286T  | 1775   | 12.0        | 35.0           | 227          | G            | 93.9                   | 94.1           | 93.6           | 93.0             | 73.00        | 82.00    | 85.00     | 89.0             | 180                | 250              | 24                      | 44          |
| 30  | 326T  | 1185   | 15.0        | 39.0           | 218          | G            | 93.1                   | 93.5           | 93.0           | 92.4             | 61.00        | 73.00    | 77.00     | 133.0            | 170                | 220              | 26                      | 52          |
| 30  | 364T  | 885    | 18.0        | 41.0           | 210          | G            | 90.6                   | 92.0           | 91.7           | 91.0             | 49.00        | 61.00    | 65.00     | 178.0            | 150                | 200              | 22                      | 40          |

Typical performance data, not guaranteed

NEMA Premium® is a certification mark of the National Electrical Manufacturers Association.

# Typical performance data

## SIMOTICS Explosion proof – 460V 60HZ

### XP100 / XP100 IDI

**NEMA Premium®**

| HP  | Frame | FL RPM | Current (A) |                |              | kVA/ hp Code | Nominal Efficiency (%) |                |                 |                  | Power Factor |          |           | Torque           |                    |                  | Locked Rotor Stall Time |             |
|-----|-------|--------|-------------|----------------|--------------|--------------|------------------------|----------------|-----------------|------------------|--------------|----------|-----------|------------------|--------------------|------------------|-------------------------|-------------|
|     |       |        | No Load     | Full Load 460V | Locked Rotor |              | 1/2 Load - % -         | 3/4 Load - % - | Full Load - % - | Min. Guar. - % - | 1/2 Load     | 3/4 Load | Full Load | Full Load -lb-ft | Locked Rotor - % - | Break Down - % - | Hot - sec-              | Cold - sec- |
|     |       |        |             |                |              |              |                        |                |                 |                  |              |          |           |                  |                    |                  |                         |             |
| 40  | 324TS | 3535   | 12.0        | 45.0           | 290          | G            | 94.0                   | 94.1           | 93.6            | 93.0             | 80.00        | 87.00    | 89.00     | 60.0             | 150                | 250              | 22                      | 45          |
| 40  | 324T  | 1780   | 15.0        | 46.0           | 290          | G            | 94.3                   | 94.1           | 94.1            | 93.6             | 75.00        | 83.00    | 86.00     | 118.0            | 180                | 230              | 22                      | 45          |
| 40  | 364T  | 1185   | 19.0        | 49.0           | 290          | G            | 94.4                   | 94.6           | 94.1            | 93.6             | 68.00        | 77.00    | 81.00     | 177.0            | 190                | 220              | 29                      | 55          |
| 40  | 365T  | 885    | 36.0        | 63.0           | 290          | G            | 93.0                   | 93.1           | 91.7            | 91.0             | 49.00        | 60.00    | 65.00     | 237.0            | 150                | 200              | 25                      | 40          |
| 50  | 326TS | 3535   | 15.0        | 55.0           | 363          | G            | 93.8                   | 94.1           | 93.6            | 93.0             | 82.00        | 89.00    | 91.00     | 74.0             | 150                | 250              | 18                      | 37          |
| 50  | 326T  | 1780   | 19.0        | 58.0           | 384          | G            | 94.8                   | 95.0           | 94.5            | 94.1             | 74.00        | 82.00    | 85.00     | 148.0            | 170                | 230              | 22                      | 45          |
| 50  | 365T  | 1185   | 24.0        | 62.0           | 363          | G            | 94.0                   | 94.3           | 94.1            | 93.6             | 67.00        | 76.00    | 80.00     | 222.0            | 190                | 220              | 29                      | 55          |
| 50  | 404T  | 885    | 28.0        | 67.0           | 363          | G            | 93.0                   | 93.1           | 92.4            | 91.7             | 64.00        | 73.00    | 76.00     | 297.0            | 140                | 200              | 25                      | 40          |
| 60  | 364TS | 3565   | 19.0        | 68.0           | 435          | G            | 93.8                   | 94.1           | 93.6            | 93.0             | 80.00        | 86.00    | 88.00     | 89.0             | 160                | 250              | 16                      | 28          |
| 60  | 364T  | 1780   | 21.0        | 68.0           | 435          | G            | 95.2                   | 95.4           | 95.0            | 94.5             | 77.00        | 85.00    | 87.00     | 177.0            | 180                | 240              | 26                      | 38          |
| 60  | 404T  | 1185   | 28.0        | 74.0           | 435          | G            | 94.2                   | 94.7           | 94.5            | 94.1             | 65.00        | 76.00    | 80.00     | 266.0            | 180                | 220              | 25                      | 50          |
| 60  | 405T  | 885    | 30.0        | 78.0           | 435          | G            | 93.0                   | 93.1           | 92.4            | 91.7             | 66.00        | 75.00    | 78.00     | 356.0            | 140                | 200              | 30                      | 35          |
| 75  | 365TS | 3565   | 22.0        | 86.0           | 543          | G            | 93.7                   | 94.3           | 94.1            | 93.6             | 81.00        | 86.00    | 88.00     | 111.0            | 160                | 260              | 16                      | 27          |
| 75  | 365T  | 1780   | 25.0        | 85.0           | 543          | G            | 95.6                   | 95.8           | 95.4            | 95.0             | 78.00        | 85.00    | 87.00     | 221.0            | 180                | 240              | 25                      | 35          |
| 75  | 405T  | 1185   | 34.0        | 93.0           | 543          | G            | 94.7                   | 94.9           | 94.5            | 94.1             | 68.00        | 77.00    | 80.00     | 332.0            | 180                | 220              | 33                      | 45          |
| 75  | 444T  | 885    | 37.0        | 94.0           | 543          | G            | 93.5                   | 93.9           | 93.6            | 93.0             | 67.00        | 76.00    | 80.00     | 445.0            | 135                | 200              | 25                      | 32          |
| 100 | 405TS | 3570   | 19.0        | 108.0          | 725          | G            | 94.6                   | 94.7           | 94.1            | 93.6             | 90.00        | 92.00    | 92.00     | 147.0            | 120                | 200              | 25                      | 45          |
| 100 | 405T  | 1780   | 30.0        | 113.0          | 725          | G            | 95.8                   | 96.0           | 95.4            | 95.0             | 80.00        | 86.00    | 87.00     | 295.0            | 180                | 200              | 25                      | 35          |
| 100 | 444T  | 1185   | 39.0        | 117.0          | 725          | G            | 95.1                   | 95.3           | 95.0            | 94.5             | 73.00        | 81.00    | 84.00     | 443.0            | 160                | 200              | 30                      | 35          |
| 100 | 445T  | 885    | 48.0        | 123.0          | 725          | G            | 94.2                   | 94.5           | 94.1            | 93.6             | 70.00        | 78.00    | 81.00     | 593.0            | 130                | 200              | 22                      | 30          |
| 125 | 444TS | 3575   | 32.0        | 138.0          | 908          | G            | 94.5                   | 95.1           | 95.0            | 94.5             | 84.00        | 88.00    | 89.00     | 184.0            | 120                | 200              | 18                      | 23          |
| 125 | 444T  | 1785   | 45.0        | 143.0          | 908          | G            | 95.4                   | 95.6           | 95.4            | 95.0             | 78.00        | 84.00    | 86.00     | 368.0            | 160                | 200              | 20                      | 25          |
| 125 | 445T  | 1185   | 48.0        | 144.0          | 908          | G            | 95.1                   | 95.4           | 95.0            | 94.5             | 74.00        | 82.00    | 85.00     | 554.0            | 160                | 200              | 25                      | 35          |
| 125 | 447T  | 885    | 54.0        | 152.0          | 908          | G            | 94.6                   | 94.7           | 94.1            | 93.6             | 70.00        | 79.00    | 82.00     | 742.0            | 130                | 200              | 20                      | 30          |
| 150 | 445TS | 3575   | 37.0        | 164.0          | 1085         | G            | 94.8                   | 95.2           | 95.0            | 94.5             | 84.00        | 89.00    | 90.00     | 220.0            | 120                | 200              | 15                      | 18          |
| 150 | 445T  | 1785   | 52.0        | 170.0          | 1085         | G            | 95.7                   | 96.0           | 95.8            | 95.4             | 78.00        | 84.00    | 86.00     | 441.0            | 150                | 200              | 20                      | 30          |
| 150 | 447T  | 1190   | 59.0        | 172.0          | 1085         | G            | 95.6                   | 96.0           | 95.8            | 95.4             | 73.00        | 82.00    | 85.00     | 662.0            | 140                | 200              | 28                      | 43          |
| 150 | 449T  | 885    | 61.0        | 180.0          | 1085         | G            | 94.3                   | 94.5           | 94.1            | 93.6             | 72.00        | 80.00    | 83.00     | 890.0            | 130                | 200              | 20                      | 25          |
| 200 | 447TS | 3575   | 44.0        | 216.0          | 1450         | G            | 95.3                   | 95.6           | 95.4            | 95.0             | 88.00        | 90.00    | 91.00     | 294.0            | 120                | 200              | 16                      | 20          |
| 200 | 447T  | 1785   | 73.0        | 228.0          | 1450         | G            | 96.2                   | 96.5           | 96.2            | 95.8             | 75.00        | 83.00    | 85.00     | 588.0            | 160                | 200              | 18                      | 25          |
| 200 | 449T  | 1190   | 73.0        | 227.0          | 1450         | G            | 95.6                   | 96.2           | 95.8            | 95.4             | 75.00        | 83.00    | 86.00     | 883.0            | 125                | 200              | 25                      | 32          |
| 200 | 449T  | 885    | 78.0        | 240.0          | 1450         | G            | 95.0                   | 95.0           | 94.5            | 94.1             | 71.00        | 79.00    | 83.00     | 1187.0           | 125                | 200              | 15                      | 25          |
| 250 | 449TS | 3575   | 45.0        | 265.0          | 1825         | G            | 95.7                   | 96.0           | 95.8            | 95.0             | 89.00        | 91.00    | 91.00     | 368.0            | 120                | 200              | 12                      | 18          |
| 250 | 449T  | 1785   | 90.0        | 278.0          | 2100         | H            | 96.1                   | 96.3           | 96.2            | 95.8             | 78.00        | 85.00    | 87.00     | 735.0            | 140                | 200              | 18                      | 25          |
| 250 | 449T  | 1190   | 86.0        | 281.0          | 2050         | H            | 95.7                   | 96.0           | 95.8            | 95.4             | 81.00        | 86.00    | 87.00     | 1104.0           | 120                | 200              | 20                      | 25          |
| 300 | 449TS | 3570   | 68.0        | 325.0          | 2200         | G            | 95.2                   | 95.8           | 95.8            | 95.4             | 86.00        | 90.00    | 91.00     | 441.0            | 100                | 200              | 12                      | 13          |
| 300 | 449T  | 1785   | 114.0       | 338.0          | 2400         | H            | 96.1                   | 96.3           | 96.2            | 95.8             | 75.00        | 83.00    | 86.00     | 882.0            | 140                | 200              | 22                      | 30          |

Typical performance data, not guaranteed  
 NEMA Premium® is a certification mark of the National Electrical Manufacturers Association.

# Typical performance data

SIMOTICS Definite purpose – 460V 60HZ  
 SD10 MS

1 winding variable torque

| HP          | Frame | FL RPM      | Current (A)  |                |              | kVA/ hp Code | Normal Efficiency (%) |                |                 | Power Factor |               |                | Torque           |                    |                  | Locked Rotor Stall Time |             |
|-------------|-------|-------------|--------------|----------------|--------------|--------------|-----------------------|----------------|-----------------|--------------|---------------|----------------|------------------|--------------------|------------------|-------------------------|-------------|
|             |       |             | No Load      | Full Load 460V | Locked Rotor |              | 1/2 Load - % -        | 3/4 Load - % - | Full Load - % - | 1/2 Load     | 3/4 Load      | Full Load      | Full load -lb-ft | Locked Rotor - % - | Break Down - % - | Hot - sec-              | Cold - sec- |
| 1<br>0.25   | 143T  | 1745<br>850 | 1.3<br>0.8   | 1.8<br>0.9     | 11<br>2.5    | K            | 70.5<br>42            | 74.5<br>48.8   | 75.5<br>52.5    | 47<br>34     | 60<br>42      | 69<br>50       | 3<br>1.5         | 7.5<br>2.4         | 8.7<br>3.8       | 12                      | 22          |
| 1.5<br>0.37 | 145T  | 1740<br>855 | 1.4<br>0.9   | 2.2<br>1       | 14.6<br>3.3  | K            | 79.7<br>48.5          | 81.9<br>53.9   | 81.5<br>55.5    | 57<br>47     | 70.4<br>58.7  | 78.3<br>62.4   | 4.5<br>2.2       | 11.3<br>3.1        | 12.6<br>5        | 12                      | 24          |
| 2<br>0.5    | 182T  | 1745<br>865 | 1.2<br>0.9   | 2.7<br>1.3     | 20<br>4.9    | K            | 82.7<br>60.72         | 84.3<br>67.1   | 84<br>70        | 62.6<br>33.3 | 76.16<br>42.7 | 82.57<br>51.45 | 6.0<br>3.0       | 14.1<br>4.2        | 17.4<br>6.8      | 12                      | 25          |
| 3<br>0.75   | 184T  | 1735<br>855 | 2<br>1.1     | 4<br>1.5       | 32<br>5.5    | J            | 85.5<br>69.8          | 85.4<br>74.1   | 84<br>75.5      | 69<br>40.4   | 79<br>52.5    | 83.6<br>62.0   | 9.0<br>4.6       | 21.6<br>6.2        | 26.1<br>10.1     | 18                      | 36          |
| 5<br>1.2    | 213T  | 176<br>865  | 3.6<br>1.9   | 6.6<br>2.4     | 46<br>9      | J            | 84.6<br>72.05         | 85.9<br>76.9   | 85.5<br>78.5    | 62.6<br>40.2 | 75.7<br>51.4  | 82.9<br>59.6   | 14.9<br>7.3      | 27.6<br>8.8        | 33.5<br>14.6     | 14                      | 26          |
| 7.5<br>1.9  | 215T  | 1760<br>865 | 5.2<br>2.6   | 9.9<br>3.5     | 63<br>13     | J            | 85<br>170             | 86<br>72.5     | 85.5<br>74      | 62<br>46     | 76<br>60      | 82.9<br>68.6   | 22.4<br>11.5     | 39.2<br>15         | 48.2<br>59.4     | 14                      | 26          |
| 10<br>2.5   | 254T  | 1770<br>880 | 6<br>4.3     | 12.9<br>5.4    | 81<br>18     | H            | 87.8<br>75            | 88.7<br>79.7   | 88.5<br>81.5    | 65.8<br>34.6 | 76.7<br>45.1  | 82.0<br>53.1   | 29.7<br>14.9     | 49<br>16.4         | 59.4<br>26.8     | 14                      | 29          |
| 15<br>3.7   | 256T  | 1770<br>880 | 7.7<br>5.6   | 18.5<br>7.5    | 115<br>26    | J            | 89.8<br>79            | 90.5<br>82.9   | 90.2<br>84      | 69<br>37.06  | 79<br>47.8    | 84.2<br>54.9   | 44.5<br>22.09    | 71.2<br>26.5       | 89<br>39.8       | 17                      | 32          |
| 20<br>5     | 284T  | 1770<br>880 | 10<br>7.2    | 25<br>9.3      | 153<br>37    | G            | 88.7<br>80            | 89<br>83       | 88.5<br>84      | 71<br>38     | 51<br>50      | 85<br>59       | 59.4<br>30       | 113<br>54          | 159<br>75        | 19                      | 40          |
| 25<br>6.2   | 286T  | 1765<br>880 | 10.5<br>8    | 30<br>11.5     | 177<br>46    | G            | 90.3<br>82.9          | 90.4<br>85.2   | 89.5<br>85.5    | 76<br>40     | 84<br>52      | 87<br>60       | 74<br>37         | 140<br>55          | 177<br>74        | 19                      | 40          |
| 30<br>7.5   | 324T  | 1770<br>885 | 11.5<br>8.5  | 35<br>13       | 240<br>554   | H            | 91.9<br>85            | 92.3<br>87.7   | 91.7<br>88.5    | 85<br>44     | 77<br>56      | 88<br>61       | 89<br>45         | 195<br>67          | 240<br>90        | 20                      | 40          |
| 40<br>10    | 326T  | 1770<br>885 | 16<br>11.2   | 46<br>17       | 340<br>81    | H            | 92.7<br>85.8          | 92.9<br>88.4   | 92.4<br>88.5    | 73<br>41     | 83<br>53      | 88<br>61       | 124<br>59        | 248<br>88          | 322<br>129       | 20                      | 40          |
| 50<br>12.5  | 364T  | 1780<br>890 | 20.5<br>15.5 | 58<br>22.5     | 425<br>97    | H            | 93.3<br>86.4          | 93.5<br>88.8   | 93<br>89.5      | 73<br>38     | 83<br>50      | 86<br>58       | 147<br>74        | 265<br>96          | 352<br>192       | 22                      | 42          |
| 60<br>15    | 365T  | 1780<br>885 | 26<br>18.5   | 93.3<br>86.2   | 458<br>103   | G            | 93.3<br>86.2          | 93.5<br>81     | 93<br>88.5      | 73<br>39     | 81<br>51      | 85<br>59       | 178<br>89        | 284<br>112         | 384<br>178       | 22                      | 45          |
| 75<br>19    | 405T  | 1785<br>890 | 26.5<br>20   | 86<br>32       | 568<br>120   | G            | 90.5<br>85.8          | 92.6<br>88.1   | 93<br>88.5      | 79<br>45     | 84<br>56      | 86<br>63       | 220<br>112       | 352<br>156         | 550<br>212       | 23                      | 42          |
| 100<br>25   | 444TS | 1790<br>890 | 41.5<br>31   | 118<br>46      | 804<br>178   | H            | 94<br>88.4            | 94.1<br>90.4   | 93.6<br>91      | 73<br>40     | 81<br>51      | 84<br>59       | 293<br>147       | 644<br>220         | 820<br>286       | 28                      | 36          |
| 125<br>31   | 445TS | 1790<br>890 | 46<br>39     | 158<br>57      | 1045<br>223  | H            | 92.7<br>88.9          | 93.2<br>90.9   | 93<br>91.7      | 67<br>38     | 77<br>48      | 81<br>56       | 367<br>182       | 697<br>273         | 880<br>364       | 20                      | 23          |
| 150<br>37   | 447TS | 1785<br>890 | 64.5<br>45.5 | 176<br>68      | 1260<br>273  | H            | 92.1<br>87.6          | 93.2<br>89.6   | 93.6<br>90.2    | 73<br>39     | 82<br>50      | 85<br>58       | 441<br>221       | 926<br>375         | 1190<br>440      | 24                      | 29          |
| 200<br>50   | 449TS | 1785<br>890 | 65<br>51     | 230<br>86      | 1460<br>291  | G            | 92.3<br>91.6          | 93.3<br>92.9   | 94.5<br>93      | 79<br>43     | 85<br>53      | 86<br>58       | 588<br>295       | 1058<br>383        | 1410<br>501      | 22                      | 30          |
| 250<br>62.5 | 449TS | 1785<br>890 | 81<br>59     | 289<br>105     | 1835<br>366  | G            | 92.9<br>90            | 93.6<br>91.1   | 93.6<br>91      | 79<br>45     | 85<br>56      | 87<br>61       | 735<br>369       | 1433<br>516        | 1984<br>590      | 20                      | 25          |

Typical performance data, not guaranteed



# Typical performance data

## SIMOTICS Definite purpose – 460V 60HZ

### RGKESDI / RGZESDI

Constant torque 1000:1  
Inverter duty only

| HP  | Frame | FL RPM | Speed Range | F.L. RPM | FL Amps | NL Amps | FL Torque (lb-ft) | Max. Torque Const. HP (lb-ft.) | Max. RPM Const. HP | Ohms/Phase (Y equiv.) Circuit Parameter 25°C |      |      |       |       |
|-----|-------|--------|-------------|----------|---------|---------|-------------------|--------------------------------|--------------------|--|------|------|-------|-------|
|     |       |        |             |          |         |         |                   |                                |                    | X1   | X2   | XM   | R1    | R2    |
| 1   | 145T  | 1800   | 1000:1      | 1740     | 1.4     | 1.1     | 3                 | 1.5                            | 3480               | 7.12   | 8.21 | 335  | 11.28 | 7.59  |
| 1   | 182T  | 1200   | 1000:1      | 1175     | 1.8     | 1.5     | 4.5               | 2.3                            | 2400               | 5.2  | 9.40 | 185  | 6.28  | 4.54  |
| 1.5 | 182T  | 3600   | 1000:1      | 3485     | 2       | 1.6     | 2.3               | 1.5                            | 5225               | 4.34   | 2.21 | 193  | 2.84  | 2.02  |
| 1.5 | 182T  | 1800   | 1000:1      | 1740     | 2.2     | 1.8     | 4.5               | 2.2                            | 3480               | 4.93   | 8.37 | 305  | 5.48  | 4.45  |
| 1.5 | 184T  | 1200   | 1000:1      | 1160     | 2.4     | 1.9     | 6.8               | 3.4                            | 2320               | 3.59   | 7.37 | 145  | 4.26  | 3.43  |
| 2   | 184T  | 3600   | 1000:1      | 3505     | 2.5     | 1.7     | 3                 | 2                              | 5275               | 2.62   | 1.54 | 135  | 1.86  | 1.4   |
| 2   | 182T  | 1800   | 1000:1      | 1740     | 2.7     | 1.8     | 6.1               | 3                              | 3480               | 3.7  | 6.07 | 209  | 4.32  | 3.57  |
| 2   | 213T  | 1200   | 1000:1      | 1160     | 3.2     | 2.3     | 9.1               | 4.5                            | 2320               | 3.24   | 4.57 | 130  | 3.25  | 1.73  |
| 3   | 213T  | 3600   | 1000:1      | 3510     | 3.7     | 3.3     | 4.5               | 3                              | 5265               | 2.08   | 1.46 | 83.6 | 1.2   | 0.71  |
| 3   | 184T  | 1800   | 1000:1      | 1740     | 4.2     | 3.2     | 9.1               | 4.5                            | 3480               | 2.17   | 3.78 | 123  | 2.58  | 2.29  |
| 3   | 215T  | 1200   | 1000:1      | 1160     | 4.3     | 3.1     | 14                | 6.8                            | 2320               | 2.01   | 2.91 | 86.8 | 1.99  | 1.23  |
| 5   | 215T  | 3600   | 1000:1      | 3510     | 5.8     | 3.5     | 7.5               | 5                              | 5265               | 1.67   | 1.27 | 74   | 0.97  | 0.6   |
| 5   | 213T  | 1800   | 1000:1      | 1760     | 6.5     | 4.2     | 15                | 7.5                            | 3520               | 1.6  | 3.2  | 84   | 1.3   | 0.92  |
| 5   | 254T  | 1200   | 1000:1      | 1165     | 7.1     | 4.5     | 23                | 11.3                           | 2330               | 1.66   | 1.89 | 54.3 | 0.82  | 0.58  |
| 7.5 | 254T  | 3600   | 1000:1      | 3510     | 8.7     | 5       | 11                | 7.5                            | 5265               | 1.33   | 1.03 | 57.6 | 0.39  | 0.31  |
| 7.5 | 254T  | 1800   | 1000:1      | 1775     | 9.5     | 7.3     | 23                | 11.1                           | 3550               | 1.3  | 2.7  | 66   | 0.7   | 0.52  |
| 7.5 | 256T  | 1200   | 1000:1      | 1165     | 10      | 5       | 34                | 16.8                           | 2330               | 1.41   | 1.71 | 52.1 | 0.68  | 0.53  |
| 10  | 256T  | 3600   | 1000:1      | 3515     | 12.5    | 6       | 15                | 10                             | 5270               | 0.95   | 0.8  | 40.3 | 0.3   | 0.27  |
| 10  | 256T  | 1800   | 1000:1      | 1770     | 12.5    | 5.7     | 30                | 15                             | 3500               | 0.86   | 1.90 | 48   | 0.45  | 0.38  |
| 10  | 256T  | 1200   | 1000:1      | 1165     | 13      | 10      | 45                | 22                             | 2330               | 1.41   | 1.71 | 52   | 0.68  | 0.53  |
| 15  | 254T  | 3600   | 1000:1      | 3530     | 18      | 5       | 22                | 15                             | 5295               | 1.33   | 1.03 | 57.6 | 0.39  | 0.31  |
| 15  | 254T  | 1800   | 1000:1      | 1760     | 20      | 7.3     | 45                | 22                             | 3520               | 0.85   | 1.61 | 38.5 | 0.38  | 0.34  |
| 15  | 284T  | 1200   | 1000:1      | 1175     | 20      | 10      | 67                | 40                             | 1955               | 1.00   | 1.11 | 26.3 | 0.40  | 0.24  |
| 20  | 256T  | 3600   | 1000:1      | 3525     | 23      | 7.4     | 30                | 20                             | 5285               | 0.95   | 0.80 | 40.3 | 0.30  | 0.27  |
| 20  | 256T  | 1800   | 1000:1      | 1755     | 27      | 9.1     | 60                | 30                             | 3510               | 0.60   | 1.26 | 30.7 | 0.26  | 0.26  |
| 20  | 286T  | 1200   | 1000:1      | 1175     | 26      | 12      | 89                | 54                             | 1955               | 0.77   | 0.93 | 22.9 | 0.29  | 0.21  |
| 25  | 284TS | 3600   | 1000:1      | 3525     | 29      | 8       | 37                | 25                             | 4700               | 0.55   | 1.14 | 38.5 | 0.27  | 0.21  |
| 25  | 284T  | 1800   | 1000:1      | 1765     | 29      | 13      | 74                | 50                             | 2940               | 0.55   | 0.88 | 22.8 | 0.19  | 0.18  |
| 25  | 324T  | 1200   | 1000:1      | 1180     | 33      | 15      | 111               | 67                             | 1965               | 0.67   | 0.65 | 16.1 | 0.17  | 0.15  |
| 30  | 286TS | 3600   | 1000:1      | 3525     | 34      | 9.5     | 45.0              | 30                             | 4700               | 0.42   | 0.98 | 33.8 | 0.2   | 0.17  |
| 30  | 286T  | 1800   | 1000:1      | 1765     | 35      | 15      | 89                | 60                             | 2940               | 0.44   | 0.75 | 20.3 | 0.15  | 0.15  |
| 30  | 326T  | 1200   | 1000:1      | 1180     | 39      | 19      | 134               | 80                             | 1965               | 0.56   | 0.56 | 13.9 | 0.15  | 0.13  |
| 40  | 324TS | 3600   | 1000:1      | 3530     | 46      | 12      | 60                | 48                             | 4705               | 0.33   | 0.60 | 22.6 | 0.088 | 0.100 |
| 40  | 324T  | 1800   | 1000:1      | 1770     | 47      | 15      | 119               | 79                             | 2940               | 0.38   | 0.67 | 18.5 | 0.110 | 0.100 |
| 40  | 364T  | 1200   | 1000:1      | 1180     | 52      | 24      | 178               | 119                            | 1770               | 0.41   | 0.70 | 11.6 | 0.100 | 0.070 |
| 50  | 326TS | 3600   | 1000:1      | 3530     | 55      | 15      | 74                | 60                             | 4705               | 0.25   | 0.49 | 18.8 | 0.072 | 0.083 |
| 50  | 326T  | 1800   | 1000:1      | 1770     | 58      | 18      | 148               | 99                             | 2950               | 0.31   | 0.54 | 15.8 | 0.082 | 0.082 |
| 50  | 365T  | 1200   | 1000:1      | 1180     | 66      | 30      | 223               | 148                            | 1770               | 0.32   | 0.58 | 10.4 | 0.081 | 0.058 |

Typical performance data, not guaranteed

# Typical performance data

## SIMOTICS Definite purpose – 460V 60HZ

### RGKESDI / RGZESDI

Constant torque 1000:1  
Inverter duty only

| HP  | Frame  | FL RPM | Speed Range | F.L RPM | FL Amps | NL Amps | FL Torque (lb-ft) | Max Torque Const. HP (lb-ft) | Max RPM Const. HP | Ohms/Phase (Y equiv.) Circuit Parameter 25°C |       |       |      |       |
|-----|--------|--------|-------------|---------|---------|---------|-------------------|------------------------------|-------------------|--|-------|-------|------|-------|
|     |        |        |             |         |         |         |                   |                              |                   | X1   | X2    | XM    | R1   | R2    |
| 60  | 364TS  | 3600   | 1000:1      | 3565    | 68      | 19      | 89                | 89                           | 4455              |  | 0.30  | 0.56  | 14.8 | 0.066 |
| 60  | 364T   | 1800   | 1000:1      | 1775    | 71      | 21      | 178               | 118                          | 2660              |  | 0.30  | 0.46  | 11.6 | 0.066 |
| 60  | 404TS  | 1200   | 1000:1      | 1185    | 72      | 26      | 266               | 177                          | 1775              |  | 0.35  | 0.58  | 10.8 | 0.049 |
| 75  | 365TS  | 3600   | 1000:1      | 3565    | 85      | 22      | 111               | 111                          | 4455              |  | 0.20  | 0.46  | 12.8 | 0.045 |
| 75  | 365T   | 1800   | 1000:1      | 1775    | 87      | 27      | 222               | 148                          | 2660              |  | 0.23  | 0.37  | 9.2  | 0.051 |
| 75  | 405TS  | 1200   | 1000:1      | 1185    | 87      | 34      | 332               | 222                          | 1775              |  | 0.26  | 0.45  | 8.4  | 0.035 |
| 100 | 405TS  | 3600   | 1000:1      | 3570    | 110     | 19      | 147               | 147                          | 3570              |  | 0.21  | 0.32  | 16.0 | 0.034 |
| 100 | 405TS  | 1800   | 1000:1      | 1780    | 113     | 30      | 295               | 197                          | 2670              |  | 0.2   | 0.37  | 9.6  | 0.028 |
| 100 | 444TS  | 1200   | 1000:1      | 1185    | 115     | 38      | 443               | 296                          | 1775              |  | 0.17  | 0.35  | 7.3  | 0.026 |
| 125 | 444TS  | 3600   | 1000:1      | 3575    | 136     | 32      | 184               | 184                          | 3575              |  | 0.14  | 0.27  | 8.8  | 0.018 |
| 125 | 444TS  | 1800   | 1000:1      | 1785    | 143     | 42      | 368               | 245                          | 2675              |  | 0.14  | 0.33  | 6.7  | 0.017 |
| 125 | 445TS  | 1200   | 1000:1      | 1185    | 144     | 44      | 554               | 370                          | 1775              |  | 0.14  | 0.29  | 6.2  | 0.02  |
| 150 | 445TS  | 3600   | 1000:1      | 3575    | 160     | 37      | 220               | 220                          | 3575              |  | 0.1   | 0.21  | 7.2  | 0.012 |
| 150 | 445TS  | 1800   | 1000:1      | 1785    | 169     | 45      | 441               | 294                          | 2675              |  | 0.12  | 0.3   | 6.1  | 0.015 |
| 150 | 447TS  | 1200   | 1000:1      | 1185    | 169     | 45      | 665               | 444                          | 1775              |  | 0.13  | 0.28  | 6.1  | 0.017 |
| 200 | 447TS  | 3600   | 1000:1      | 3575    | 208     | 40      | 294               | 294                          | 3575              |  | 0.087 | 0.2   | 7.0  | 0.01  |
| 200 | 447TS  | 1800   | 1000:1      | 1785    | 223     | 60      | 588               | 471                          | 2375              |  | 0.085 | 0.22  | 4.6  | 0.01  |
| 200 | 449TS  | 1200   | 1000:1      | 1185    | 222     | 55      | 886               | 592                          | 1775              |  | 0.092 | 0.21  | 4.8  | 0.013 |
| 250 | 449TS  | 3600   | 1000:1      | 3570    | 264     | 45      | 368               | 368                          | 3570              |  | 0.690 | 0.17  | 6.4  | 0.008 |
| 250 | 449TS  | 1800   | 1000:1      | 1785    | 282     | 78      | 735               | 589                          | 2380              |  | 0.064 | 0.18  | 3.7  | 0.007 |
| 250 | 449TS  | 1200   | 1000:1      | 1185    | 285     | 75      | 1108              | 739                          | 1775              |  | 0.076 | 0.18  | 3.8  | 0.01  |
| 300 | 449TS  | 3600   | 1000:1      | 3575    | 330     | 68      | 441               | 441                          | 3575              |  | 0.051 | 0.13  | 4.1  | 0.006 |
| 300 | 449TS  | 1800   | 1000:1      | 1785    | 345     | 110     | 882               | 706                          | 2380              |  | 0.052 | 0.141 | 2.7  | 0.007 |
| 300 | S449SS | 1200   | 1000:1      | 1185    | 335     | 90      | 1329              | 886                          | 1775              |  | 0.092 | 0.091 | 3.2  | 0.007 |
| 350 | S449SS | 3600   | 1000:1      | 3570    | 370     | 67      | 515               | 515                          | 3570              |  | 0.064 | 0.062 | 4.2  | 0.005 |
| 350 | S449SS | 1800   | 1000:1      | 1785    | 390     | 115     | 1029              | 825                          | 2380              |  | 0.066 | 0.079 | 2.4  | 0.004 |
| 350 | S449SS | 1200   | 1000:1      | 1185    | 396     | 133     | 1551              | 1034                         | 1775              |  | 0.069 | 0.067 | 2.3  | 0.005 |
| 400 | S449SS | 3600   | 1000:1      | 3570    | 420     | 80      | 588               | 588                          | 3570              |  | 0.052 | 0.052 | 3.5  | 0.004 |
| 400 | S449SS | 1800   | 1000:1      | 1785    | 450     | 138     | 1176              | 942                          | 2380              |  | 0.060 | 0.071 | 2.0  | 0.003 |

# Typical performance data

## SIMOTICS Definite purpose – 460V 60HZ

### RGZVESD / RGZVILESD

## Solid shaft vertical motors

| HP  | Frame | FL RPM | Current (A) |                |              | kVA/ hp Code | Normal Efficiency (%) |                |                 | Power Factor |          |           | Torque           |                    |                  | Locked Rotor Stall Time |              |
|-----|-------|--------|-------------|----------------|--------------|--------------|-----------------------|----------------|-----------------|--------------|----------|-----------|------------------|--------------------|------------------|-------------------------|--------------|
|     |       |        | No Load     | Full Load 460V | Locked Rotor |              | 1/2 Load - % -        | 3/4 Load - % - | Full Load - % - | 1/2 Load     | 3/4 Load | Full Load | Full load -lb-ft | Locked Rotor - % - | Break Down - % - | Hot - sec -             | Cold - sec - |
| 1   | 143   | 1745   | 1           | 1.5            | 13           | L            | 78.5                  | 81.6           | 82.5            | 54           | 67       | 76        | 3                | 275                | 320              | 16                      | 35           |
| 1   | 145   | 1160   | 1           | 1.6            | 10           | J            | 79.9                  | 82.3           | 82.5            | 48           | 62       | 79        | 4.5              | 240                | 300              | 19                      | 31           |
| 1   | 182   | 860    | 1.2         | 1.9            | 8            | H            | 75.1                  | 77.4           | 77              | 43           | 55       | 64        | 6.1              | 220                | 260              | 20                      | 40           |
| 1.5 | 143   | 3520   | 1           | 1.9            | 18           | L            | 76.5                  | 80.7           | 82.5            | 76           | 85       | 90        | 2.2              | 270                | 320              | 15                      | 33           |
| 1.5 | 145   | 1750   | 1.3         | 2.2            | 19           | L            | 81.5                  | 83.6           | 84              | 55           | 68       | 76        | 4.5              | 290                | 320              | 15                      | 32           |
| 1.5 | 182   | 1160   | 1.5         | 2.3            | 16           | K            | 80.2                  | 82.7           | 84              | 51           | 65       | 73        | 6.8              | 280                | 320              | 22                      | 33           |
| 1.5 | 184   | 855    | 1.8         | 2.6            | 13           | H            | 76.5                  | 78.9           | 78.5            | 46           | 59       | 69        | 9.2              | 220                | 270              | 18                      | 30           |
| 2   | 145   | 3515   | 1.1         | 2.5            | 22           | K            | 79.4                  | 82.9           | 84              | 75           | 84       | 89        | 3                | 260                | 320              | 15                      | 33           |
| 2   | 145   | 1740   | 1.5         | 2.7            | 21           | K            | 83.2                  | 84.5           | 84              | 61           | 74       | 82        | 6                | 260                | 310              | 13                      | 27           |
| 2   | 184   | 1160   | 1.9         | 3              | 22           | K            | 83.5                  | 85.0           | 85.5            | 51           | 64       | 73        | 9.1              | 220                | 300              | 21                      | 32           |
| 2   | 213   | 865    | 2.2         | 3.3            | 17           | H            | 79.0                  | 81.0           | 81.5            | 47           | 61       | 70        | 12               | 200                | 290              | 18                      | 30           |
| 3   | 182   | 3510   | 1.7         | 3.6            | 32           | K            | 82.8                  | 85.2           | 85.5            | 76           | 85       | 91        | 4.5              | 230                | 320              | 15                      | 34           |
| 3   | 182   | 1740   | 1.8         | 3.9            | 30           | K            | 86.5                  | 87.0           | 86.5            | 66           | 77       | 83        | 9.1              | 260                | 300              | 16                      | 35           |
| 3   | 213   | 1165   | 2.3         | 4              | 32           | K            | 84.8                  | 86.6           | 86.5            | 59           | 74       | 81        | 14               | 210                | 300              | 17                      | 35           |
| 3   | 215   | 865    | 3.1         | 4.7            | 26           | H            | 81.0                  | 82.7           | 82.5            | 49           | 63       | 72        | 18               | 190                | 280              | 15                      | 32           |
| 5   | 184   | 3490   | 1.8         | 5.8            | 46           | J            | 85.5                  | 86.8           | 86.5            | 83           | 90       | 93        | 8                | 260                | 320              | 12                      | 26           |
| 5   | 184   | 1730   | 3.2         | 6.5            | 46           | J            | 86.5                  | 87.2           | 86.5            | 64           | 76       | 83        | 15               | 260                | 300              | 17                      | 36           |
| 5   | 215   | 1160   | 3.3         | 6.8            | 46           | J            | 88.0                  | 88.7           | 87.5            | 60           | 72       | 79        | 23               | 210                | 300              | 14                      | 29           |
| 5   | 254   | 865    | 4.1         | 7.5            | 40           | H            | 85.0                  | 86.0           | 85.5            | 54           | 67       | 73        | 30               | 180                | 260              | 13                      | 25           |
| 7.5 | 213   | 3515   | 3.4         | 8.8            | 64           | H            | 86.0                  | 87.0           | 87.5            | 78           | 87       | 91        | 11               | 190                | 280              | 11                      | 25           |
| 7.5 | 213   | 1750   | 4.2         | 9.5            | 64           | H            | 88.0                  | 89.0           | 88.5            | 66           | 77       | 84        | 23               | 210                | 270              | 14                      | 29           |
| 7.5 | 254   | 1170   | 4.5         | 9.8            | 60           | H            | 88.9                  | 89.2           | 88.5            | 61           | 75       | 81        | 34               | 180                | 250              | 18                      | 35           |
| 7.5 | 256   | 865    | 6.6         | 11.5           | 64           | H            | 86.0                  | 87.0           | 86.5            | 50           | 62       | 70        | 46               | 190                | 260              | 15                      | 30           |
| 10  | 215   | 3505   | 4           | 12             | 81           | H            | 88.0                  | 88.8           | 88.5            | 81           | 90       | 88        | 15               | 190                | 260              | 14                      | 29           |
| 10  | 215   | 1750   | 5.4         | 12.5           | 81           | H            | 88.5                  | 89.0           | 88.5            | 69           | 80       | 85        | 30               | 210                | 270              | 15                      | 30           |
| 10  | 256   | 1165   | 5           | 13             | 75           | G            | 90.0                  | 89.8           | 88.5            | 66           | 76       | 81        | 45               | 170                | 250              | 18                      | 35           |
| 10  | 284   | 875    | 9.1         | 15             | 81           | H            | 87.9                  | 89.4           | 89.5            | 51           | 62       | 70        | 60               | 150                | 220              | 15                      | 30           |
| 15  | 254   | 3530   | 5           | 17             | 116          | G            | 86.8                  | 88.3           | 88.5            | 85           | 91       | 93        | 22               | 190                | 260              | 17                      | 31           |
| 15  | 254   | 1760   | 7.3         | 19             | 116          | G            | 90.2                  | 90.6           | 90.2            | 69           | 79       | 83        | 45               | 190                | 260              | 18                      | 35           |
| 15  | 284   | 1175   | 10          | 20             | 116          | G            | 89.5                  | 90.2           | 89.5            | 58           | 72       | 78        | 67               | 160                | 270              | 20                      | 45           |
| 15  | 286   | 875    | 14          | 23             | 116          | G            | 88.6                  | 89.9           | 89.5            | 51           | 61       | 68        | 90               | 150                | 220              | 18                      | 35           |
| 20  | 256   | 3525   | 7.4         | 23             | 145          | G            | 86.6                  | 88.2           | 88.5            | 84           | 88       | 92        | 30               | 180                | 260              | 17                      | 25           |
| 20  | 256   | 1755   | 9.1         | 26             | 145          | G            | 90.6                  | 90.9           | 90.2            | 68           | 77       | 81        | 60               | 190                | 270              | 18                      | 35           |
| 20  | 286   | 1175   | 12          | 26             | 145          | G            | 90.6                  | 90.9           | 90.2            | 63           | 74       | 80        | 89               | 160                | 250              | 19                      | 43           |
| 20  | 324   | 880    | 18          | 31             | 145          | G            | 88.5                  | 89.7           | 89.5            | 51           | 62       | 68        | 119              | 140                | 200              | 15                      | 35           |
| 25  | 284   | 3525   | 8           | 29             | 183          | G            | 90.5                  | 90.7           | 90.2            | 81           | 86       | 89        | 37               | 160                | 250              | 16                      | 30           |
| 25  | 284   | 1765   | 13          | 29             | 183          | G            | 92.0                  | 92.3           | 91.7            | 73           | 83       | 88        | 74               | 220                | 280              | 19                      | 40           |
| 25  | 324   | 1180   | 15          | 33             | 183          | G            | 90.8                  | 91.3           | 91              | 58           | 70       | 78        | 111              | 170                | 240              | 25                      | 50           |
| 25  | 326   | 880    | 22          | 38             | 183          | G            | 87.5                  | 88.8           | 88.5            | 51           | 63       | 70        | 149              | 150                | 200              | 22                      | 40           |

Typical performance data, not guaranteed

- Introduction
- General Purpose Motors
- Severe Duty Motors
- Hazardous Duty Motors
- Definite Purpose Motors
- Special Features Detail
- Options Selection and Pricing
- Typical Performance Data
- General Dimensions
- Part Number Index

# Typical performance data

## SIMOTICS Definite purpose – 460V 60HZ

### RGZVESD / RGZVILESD

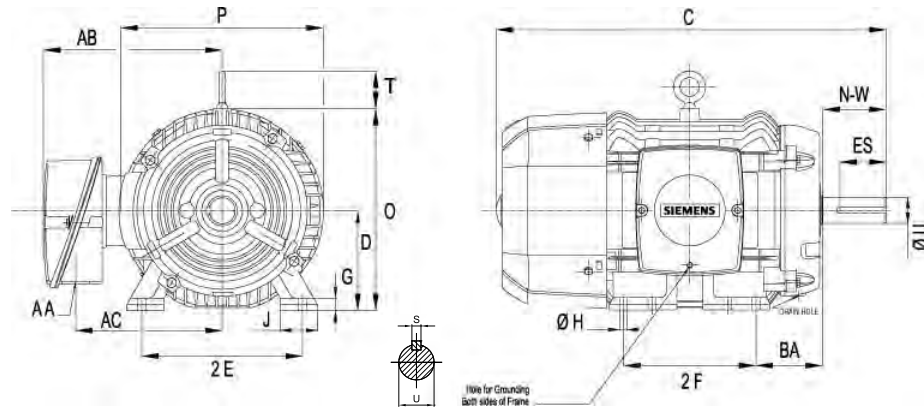
## Solid shaft vertical motors

| HP  | Frame | FL RPM | Current (A) |                |              | kVA/ hp Code | Normal Efficiency (%) |                |                 | Power Factor |          |           | Torque           |                    |                  | Locked Rotor Stall Time |              |
|-----|-------|--------|-------------|----------------|--------------|--------------|-----------------------|----------------|-----------------|--------------|----------|-----------|------------------|--------------------|------------------|-------------------------|--------------|
|     |       |        | No Load     | Full Load 460V | Locked Rotor |              | 1/2 Load - % -        | 3/4 Load - % - | Full Load - % - | 1/2 Load     | 3/4 Load | Full Load | Full load -lb-ft | Locked Rotor - % - | Break Down - % - | Hot - sec -             | Cold - sec - |
| 30  | 286   | 3525   | 9.5         | 34             | 218          | G            | 91.3                  | 91.5           | 91.0            | 86           | 91       | 92        | 45.0             | 160                | 250              | 16                      | 30           |
| 30  | 286   | 1765   | 15          | 35             | 218          | G            | 91.9                  | 92.3           | 91.7            | 73           | 84       | 88        | 89               | 220                | 280              | 19                      | 40           |
| 30  | 326   | 1180   | 19          | 39             | 218          | G            | 91.2                  | 91.5           | 91.0            | 59           | 71       | 79        | 134              | 170                | 240              | 25                      | 50           |
| 30  | 364   | 885    | 26          | 47             | 218          | G            | 88.4                  | 89.8           | 89.5            | 51           | 63       | 67        | 178              | 150                | 200              | 22                      | 40           |
| 40  | 324   | 3530   | 12          | 45             | 290          | G            | 92.8                  | 92.9           | 92.4            | 81           | 88       | 90        | 60               | 150                | 250              | 22                      | 45           |
| 40  | 324   | 1770   | 15          | 47             | 290          | G            | 92.8                  | 93.0           | 92.4            | 78           | 83       | 86        | 119              | 190                | 240              | 20                      | 40           |
| 40  | 364   | 1180   | 24          | 52             | 290          | G            | 92.4                  | 92.7           | 92.4            | 60           | 72       | 78        | 178              | 170                | 230              | 29                      | 55           |
| 40  | 365   | 885    | 36          | 63             | 290          | G            | 89.2                  | 90.5           | 90.2            | 50           | 61       | 66        | 237              | 150                | 200              | 25                      | 40           |
| 50  | 326   | 3530   | 15          | 55             | 363          | G            | 92.9                  | 93.0           | 92.4            | 83           | 90       | 92        | 74               | 150                | 250              | 18                      | 37           |
| 50  | 326   | 1770   | 18          | 58             | 363          | G            | 92.9                  | 93.0           | 92.4            | 78           | 88       | 87        | 148              | 190                | 240              | 20                      | 40           |
| 50  | 365   | 1180   | 30          | 66             | 363          | G            | 92.8                  | 93.0           | 92.4            | 61           | 72       | 77        | 223              | 170                | 230              | 29                      | 55           |
| 50  | 404   | 885    | 28          | 67             | 363          | G            | 90.8                  | 90.9           | 90.2            | 65           | 74       | 77        | 297              | 140                | 200              | 25                      | 45           |
| 60  | 364   | 3565   | 19          | 68             | 435          | G            | 92.6                  | 92.9           | 92.4            | 81           | 87       | 89        | 89               | 160                | 250              | 16                      | 28           |
| 60  | 364   | 1775   | 21          | 71             | 435          | G            | 92.7                  | 92.9           | 92.4            | 75           | 83       | 86        | 178              | 160                | 240              | 22                      | 45           |
| 60  | 404   | 1185   | 26          | 74             | 435          | G            | 93                    | 93.4           | 93.0            | 71           | 79       | 82        | 266              | 150                | 200              | 25                      | 50           |
| 60  | 405   | 885    | 30          | 78             | 435          | G            | 90.8                  | 90.9           | 90.2            | 68           | 77       | 80        | 356              | 140                | 200              | 30                      | 35           |
| 75  | 365   | 3565   | 22          | 85             | 543          | G            | 93.2                  | 93.4           | 93.0            | 82           | 87       | 89        | 111              | 160                | 260              | 16                      | 27           |
| 75  | 365   | 1775   | 27          | 87             | 543          | G            | 93.3                  | 93.5           | 93.0            | 75           | 84       | 86        | 222              | 155                | 240              | 22                      | 45           |
| 75  | 405   | 1185   | 34          | 93             | 543          | G            | 93.8                  | 94.0           | 93.6            | 69           | 78       | 81        | 332              | 150                | 200              | 33                      | 45           |
| 75  | 444   | 885    | 37          | 94             | 543          | G            | 91.6                  | 92.0           | 91.7            | 68           | 77       | 81        | 445              | 135                | 200              | 25                      | 32           |
| 100 | 405   | 3570   | 19          | 108            | 725          | G            | 93.5                  | 93.6           | 93.0            | 91           | 93       | 93        | 147              | 120                | 200              | 25                      | 45           |
| 100 | 405   | 1780   | 30          | 113            | 725          | G            | 94                    | 94.3           | 93.6            | 81           | 86       | 88        | 295              | 160                | 200              | 25                      | 35           |
| 100 | 444   | 1185   | 38          | 117            | 725          | G            | 93.7                  | 94.0           | 93.6            | 76           | 83       | 86        | 443              | 140                | 200              | 30                      | 35           |
| 100 | 445   | 885    | 48          | 123            | 725          | G            | 93.1                  | 93.4           | 93.0            | 71           | 79       | 82        | 593              | 130                | 200              | 22                      | 30           |
| 125 | 444   | 3575   | 32          | 138            | 908          | G            | 93.1                  | 93.7           | 93.6            | 86           | 90       | 91        | 184              | 120                | 200              | 18                      | 23           |
| 125 | 444   | 1785   | 42          | 143            | 908          | G            | 94.2                  | 94.4           | 94.1            | 79           | 85       | 87        | 368              | 160                | 200              | 20                      | 25           |
| 125 | 445   | 1185   | 44          | 144            | 908          | G            | 93.8                  | 94.0           | 93.6            | 79           | 85       | 87        | 554              | 140                | 200              | 25                      | 35           |
| 125 | 447   | 885    | 54          | 152            | 908          | G            | 92.9                  | 93.0           | 92.4            | 71           | 80       | 83        | 742              | 130                | 200              | 20                      | 40           |
| 150 | 445   | 3575   | 37          | 164            | 1085         | G            | 93.9                  | 94.3           | 94.1            | 85           | 90       | 91        | 220              | 120                | 200              | 15                      | 18           |
| 150 | 445   | 1785   | 45          | 170            | 1085         | G            | 94.4                  | 94.7           | 94.5            | 81           | 86       | 87        | 441              | 150                | 200              | 20                      | 30           |
| 150 | 447   | 1185   | 45          | 170            | 1085         | G            | 94.5                  | 94.7           | 94.1            | 82           | 87       | 88        | 665              | 125                | 200              | 28                      | 43           |
| 150 | 447   | 885    | 72          | 186            | 1085         | G            | 93.0                  | 93.4           | 93.0            | 68           | 77       | 81        | 890              | 130                | 200              | 20                      | 25           |
| 200 | 447   | 3575   | 40          | 216            | 1450         | G            | 94.0                  | 94.3           | 94.1            | 89           | 91       | 92        | 294              | 120                | 200              | 16                      | 20           |
| 200 | 447   | 1785   | 60          | 225            | 1450         | G            | 94.7                  | 94.8           | 94.5            | 82           | 87       | 88        | 588              | 150                | 200              | 18                      | 25           |
| 200 | 449   | 1185   | 55          | 226            | 1450         | G            | 94.5                  | 94.6           | 94.1            | 83           | 87       | 88        | 886              | 125                | 200              | 25                      | 32           |
| 200 | 449   | 885    | 101         | 241            | 1450         | G            | 93.8                  | 94             | 93.6            | 72           | 80       | 83        | 1186             | 125                | 200              | 15                      | 25           |
| 250 | 449   | 3570   | 45          | 267            | 1825         | G            | 94.0                  | 94.3           | 94.1            | 91           | 93       | 93        | 368              | 120                | 200              | 12                      | 18           |
| 250 | 449   | 1785   | 78          | 281            | 1825         | G            | 94.5                  | 94.7           | 94.5            | 81           | 86       | 88        | 735              | 140                | 200              | 18                      | 25           |
| 250 | 449   | 1185   | 75          | 280            | 1825         | G            | 94.5                  | 94.6           | 94.1            | 83           | 88       | 89        | 1108             | 120                | 200              | 20                      | 25           |

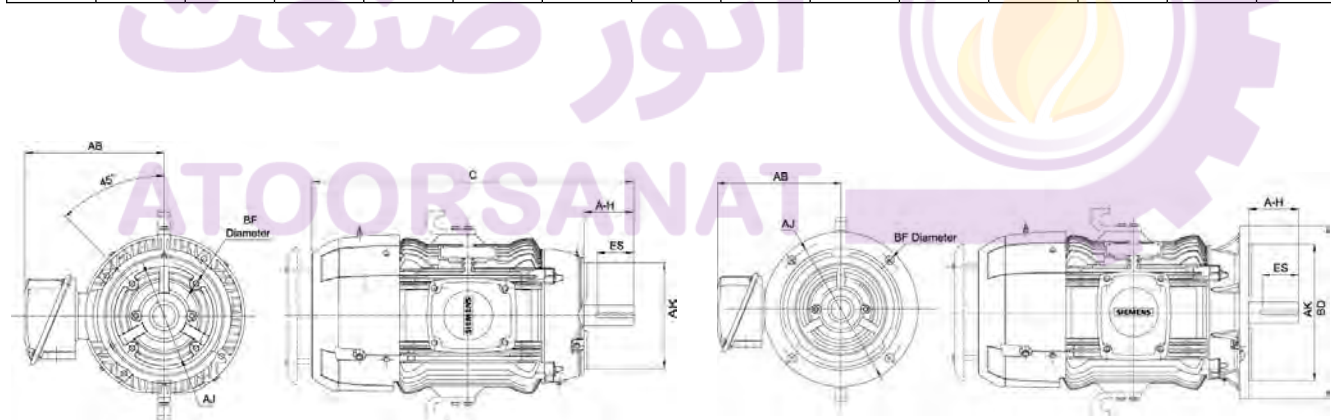
Typical performance data, not guaranteed

# General dimensions GP100A

General purpose  
Frames 140-250



| Frame | Poles | C     | 2F    | N-W  | P    | U     | BA   | AB   | 2E   | D    | O     | Keyseat |       |      |
|-------|-------|-------|-------|------|------|-------|------|------|------|------|-------|---------|-------|------|
|       |       |       |       |      |      |       |      |      |      |      |       | R       | S     | ES   |
| 143T  | All   | 14.37 | 4.00  | 2.25 | 7.6  | 0.875 | 2.25 | 7.00 | 5.5  | 3.50 | 7.28  | 0.771   | 0.188 | 1.41 |
| 145T  | All   | 14.37 | 5.00  | 2.25 | 7.6  | 0.875 | 2.25 | 7.00 | 5.5  | 3.50 | 7.28  | 0.771   | 0.188 | 1.41 |
| 182T  | All   | 16.68 | 4.50  | 2.75 | 8.7  | 1.125 | 2.75 | 6.94 | 7.5  | 4.50 | 8.87  | 0.986   | 0.250 | 1.81 |
| 184T  | All   | 16.68 | 5.50  | 2.75 | 8.7  | 1.125 | 2.75 | 6.94 | 7.5  | 4.50 | 8.87  | 0.986   | 0.250 | 1.81 |
| 213T  | All   | 20.65 | 5.50  | 3.38 | 10.3 | 1.375 | 3.50 | 8.27 | 8.5  | 5.25 | 10.41 | 1.201   | 0.312 | 2.44 |
| 215T  | All   | 20.65 | 7.00  | 3.38 | 10.3 | 1.375 | 3.50 | 8.27 | 9.0  | 5.25 | 10.41 | 1.201   | 0.312 | 2.44 |
| 254T  | All   | 26.16 | 8.25  | 4.00 | 12.4 | 1.625 | 4.25 | 9.35 | 10.0 | 6.25 | 12.43 | 1.416   | 0.375 | 2.91 |
| 256T  | All   | 26.16 | 10.00 | 4.00 | 12.4 | 1.625 | 4.25 | 9.35 | 10.0 | 6.25 | 12.43 | 1.416   | 0.375 | 2.91 |



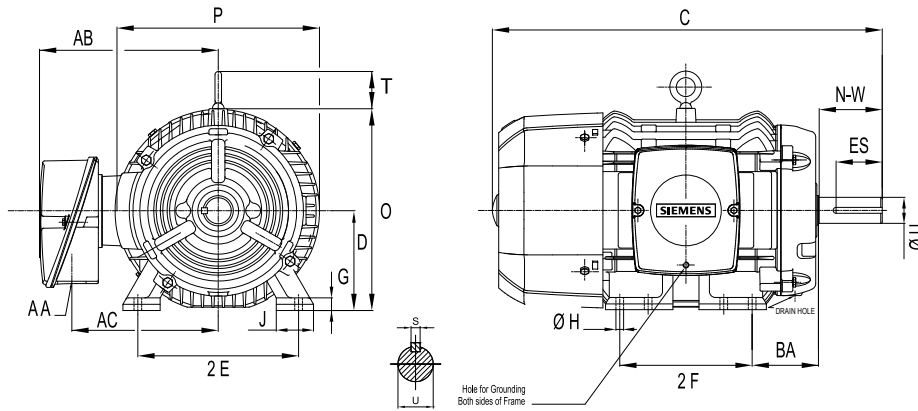
| Frame | Poles | C-Face |      |       |     |       |      |            |
|-------|-------|--------|------|-------|-----|-------|------|------------|
|       |       | BA*    | AH   | AJ    | AK  | BD    | BF # | BF         |
| 143TC | All   | 2.25   | 2.12 | 5.875 | 4.5 | 6.60* | 4    | 3/8-16" NC |
| 145TC | All   | 2.25   | 2.12 | 5.875 | 4.5 | 6.60* | 4    | 3/8-16" NC |
| 182TC | All   | 2.75   | 2.62 | 7.250 | 8.5 | 8.90  | 4    | 1/2-13" NC |
| 184TC | All   | 2.75   | 2.62 | 7.250 | 8.5 | 8.90  | 4    | 1/2-13" NC |
| 213TC | All   | 3.50   | 3.12 | 7.250 | 8.5 | 8.90  | 4    | 1/2-13" NC |
| 215TC | All   | 3.50   | 3.12 | 7.250 | 8.5 | 8.90  | 4    | 1/2-13" NC |
| 254TC | All   | 4.25   | 3.75 | 7.250 | 8.5 | 9.30  | 4    | 1/2-13" NC |
| 256TC | All   | 4.25   | 3.75 | 7.250 | 8.5 | 9.30  | 4    | 1/2-13" NC |

| Frame | Poles | D-Flange |      |      |      |       |      |      |
|-------|-------|----------|------|------|------|-------|------|------|
|       |       | BA*      | AH   | AJ   | AK   | BD    | BF # | BF   |
| 143TD | All   | 2.25     | 2.25 | 10.0 | 9.0  | 10.90 | 4    | 0.53 |
| 145TD | All   | 2.25     | 2.25 | 10.0 | 9.0  | 10.90 | 4    | 0.53 |
| 182TD | All   | 2.75     | 2.75 | 10.0 | 9.0  | 11.00 | 4    | 0.53 |
| 184TD | All   | 2.75     | 2.75 | 10.0 | 9.0  | 11.00 | 4    | 0.53 |
| 213TD | All   | 3.50     | 3.38 | 10.0 | 9.0  | 10.90 | 4    | 0.53 |
| 215TD | All   | 3.5      | 3.38 | 10.0 | 9.0  | 10.90 | 4    | 0.53 |
| 254TD | All   | 4.25     | 4.00 | 12.5 | 11.0 | 13.90 | 4    | 0.53 |
| 256TD | All   | 4.25     | 4.00 | 12.5 | 11.0 | 13.90 | 4    | 0.53 |

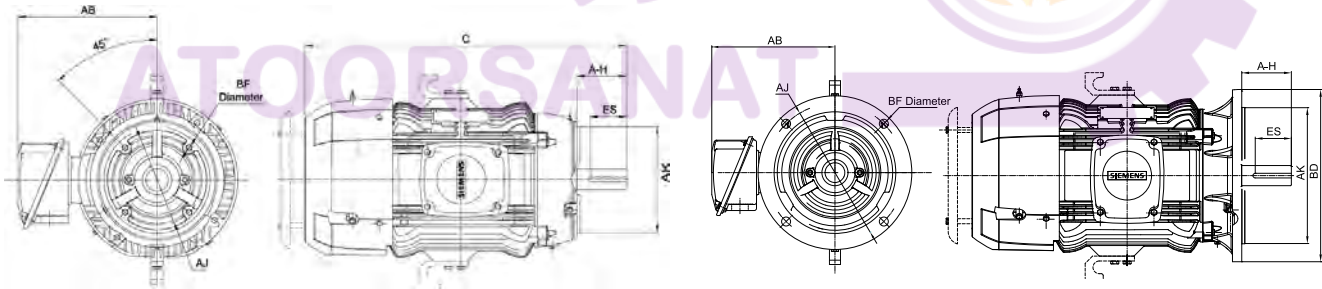
Dimensions in inches.  
Typical dimensions data, not guaranteed.  
\*Not according to NEMA.

# General dimensions GP100

## General purpose Frames 140–250



| Frame | Poles | C     | 2F    | N-W  | P    | U     | BA   | AB     | 2E   | D    | O     | Keyseat |       |      |
|-------|-------|-------|-------|------|------|-------|------|--------|------|------|-------|---------|-------|------|
|       |       |       |       |      |      |       |      |        |      |      |       | R       | S     | ES   |
| 143T  | All   | 14.40 | 4.00  | 2.25 | 7.6  | 0.875 | 2.25 | 6.90   | 5.5  | 3.50 | 7.50  | 0.771   | 0.188 | 1.41 |
| 145T  | All   | 14.40 | 5.00  | 2.25 | 7.6  | 0.875 | 2.25 | 6.90   | 5.5  | 3.50 | 7.50  | 0.771   | 0.188 | 1.41 |
| 182T  | All   | 16.70 | 4.50  | 2.75 | 9.6  | 1.125 | 2.75 | 7.80   | 7.5  | 4.50 | 11.10 | 0.986   | 0.250 | 1.81 |
| 184T  | All   | 16.70 | 5.50  | 2.75 | 9.6  | 1.125 | 2.75 | 7.80   | 7.5  | 4.50 | 11.10 | 0.986   | 0.250 | 1.81 |
| 213T  | All   | 20.70 | 5.50  | 3.38 | 10.7 | 1.375 | 3.50 | 9.45   | 8.5  | 5.25 | 10.66 | 1.201   | 0.312 | 2.44 |
| 215T  | All   | 20.70 | 7.00  | 3.38 | 10.7 | 1.375 | 3.50 | 9.45   | 9.0  | 5.25 | 10.66 | 1.201   | 0.312 | 2.44 |
| 254T  | All   | 26.16 | 8.25  | 4.00 | 12.9 | 1.625 | 4.25 | 10.197 | 10.0 | 6.25 | 12.75 | 1.416   | 0.375 | 2.91 |
| 256T  | All   | 26.16 | 10.00 | 4.00 | 12.9 | 1.625 | 4.25 | 10.197 | 10.0 | 6.25 | 12.75 | 1.416   | 0.375 | 2.91 |



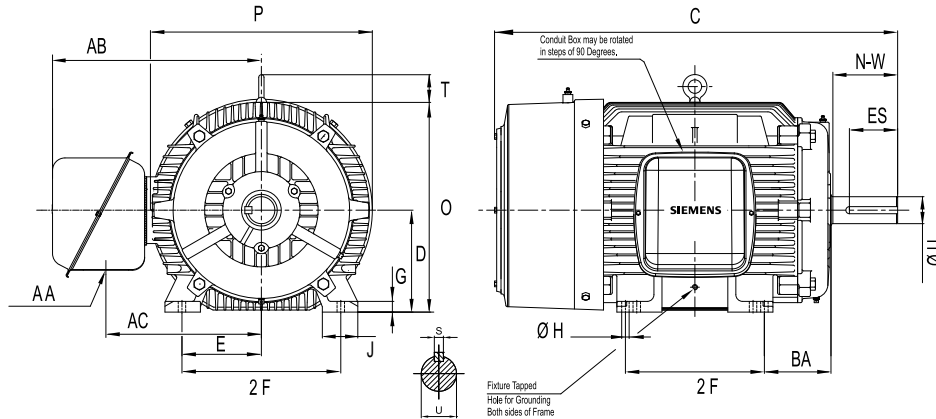
| Frame | Poles | C-Face |      |       |     |       |      |            |
|-------|-------|--------|------|-------|-----|-------|------|------------|
|       |       | BA*    | AH   | AJ    | AK  | BD    | BF # | BF         |
| 143TC | All   | 2.25   | 2.12 | 5.875 | 4.5 | 6.60* | 4    | 3/8-16" NC |
| 145TC | All   | 2.25   | 2.12 | 5.875 | 4.5 | 6.60* | 4    | 3/8-16" NC |
| 182TC | All   | 2.75   | 2.62 | 7.250 | 8.5 | 8.90  | 4    | 1/2-13" NC |
| 184TC | All   | 2.75   | 2.62 | 7.250 | 8.5 | 8.90  | 4    | 1/2-13" NC |
| 213TC | All   | 3.50   | 3.12 | 7.250 | 8.5 | 8.90  | 4    | 1/2-13" NC |
| 215TC | All   | 3.50   | 3.12 | 7.250 | 8.5 | 8.90  | 4    | 1/2-13" NC |
| 254TC | All   | 4.25   | 3.75 | 7.250 | 8.5 | 9.30  | 4    | 1/2-13" NC |
| 256TC | All   | 4.25   | 3.75 | 7.250 | 8.5 | 9.30  | 4    | 1/2-13" NC |

| Frame | Poles | D-Flange |      |      |      |       |      |      |
|-------|-------|----------|------|------|------|-------|------|------|
|       |       | BA*      | AH   | AJ   | AK   | BD    | BF # | BF   |
| 143TD | All   | 2.25     | 2.25 | 10.0 | 9.0  | 10.90 | 4    | 0.53 |
| 145TD | All   | 2.25     | 2.25 | 10.0 | 9.0  | 10.90 | 4    | 0.53 |
| 182TD | All   | 2.75     | 2.75 | 10.0 | 9.0  | 11.00 | 4    | 0.53 |
| 184TD | All   | 2.75     | 2.75 | 10.0 | 9.0  | 11.00 | 4    | 0.53 |
| 213TD | All   | 3.50     | 3.38 | 10.0 | 9.0  | 10.90 | 4    | 0.53 |
| 215TD | All   | 3.50     | 3.38 | 10.0 | 9.0  | 10.90 | 4    | 0.53 |
| 254TD | All   | 4.25     | 4.00 | 12.5 | 11.0 | 13.90 | 4    | 0.81 |
| 256TD | All   | 4.25     | 4.00 | 12.5 | 11.0 | 13.90 | 4    | 0.81 |

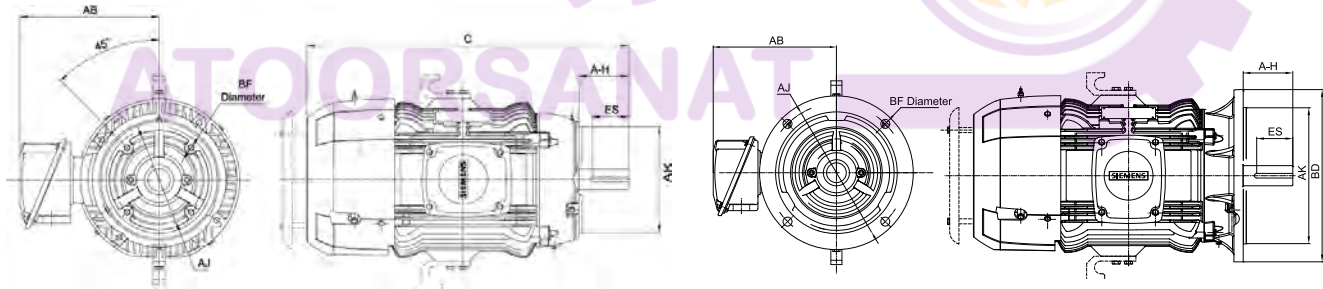
Dimensions in inches.  
Typical dimensions data, not guaranteed.  
\*Not according to NEMA.

# General dimensions GP100

## General purpose Frames 280-320



| Frame | Poles | C     | 2F   | N-W  | P    | U     | BA   | AB    | 2E   | D | O     | Keyseat |       |      |
|-------|-------|-------|------|------|------|-------|------|-------|------|---|-------|---------|-------|------|
|       |       |       |      |      |      |       |      |       |      |   |       | R       | S     | ES   |
| 284T  | All   | 29.38 | 9.5  | 4.63 | 15.8 | 1.875 | 4.75 | 13.63 | 11.0 | 7 | 14.87 | 1.59    | 0.500 | 3.25 |
| 286T  | All   | 29.38 | 11.0 | 4.63 | 15.8 | 1.875 | 4.75 | 13.63 | 11.0 | 7 | 14.87 | 1.59    | 0.500 | 3.25 |
| 284TS | All   | 28.00 | 9.5  | 3.25 | 15.8 | 1.625 | 4.75 | 13.63 | 11.0 | 7 | 14.87 | 1.42    | 0.375 | 1.88 |
| 286TS | All   | 28.00 | 11.0 | 3.25 | 15.8 | 1.625 | 4.75 | 13.63 | 11.0 | 7 | 14.87 | 1.42    | 0.375 | 1.88 |
| 324T  | All   | 32.07 | 10.5 | 5.25 | 17.7 | 2.125 | 5.25 | 14.14 | 12.5 | 8 | 16.66 | 1.85    | 0.500 | 3.88 |
| 326T  | All   | 32.07 | 12.0 | 5.25 | 17.7 | 2.125 | 5.25 | 14.14 | 12.5 | 8 | 16.66 | 1.85    | 0.500 | 3.88 |
| 324TS | All   | 30.57 | 10.5 | 3.75 | 17.7 | 1.875 | 5.25 | 14.14 | 12.5 | 8 | 16.66 | 1.59    | 0.500 | 2.00 |
| 326TS | All   | 30.57 | 12.0 | 3.75 | 17.7 | 1.875 | 5.25 | 14.14 | 12.5 | 8 | 16.66 | 1.59    | 0.500 | 2.00 |



| Frame | C-Face |      |      |    |      |       |      |            |
|-------|--------|------|------|----|------|-------|------|------------|
|       | Poles  | BA   | AH   | AJ | AK   | BD    | BF # | BF         |
| 284T  | All    | 4.75 | 4.38 | 9  | 10.5 | 11.25 | 4    | 1/2-13" NC |
| 286T  | All    | 4.75 | 4.38 | 9  | 10.5 | 11.25 | 4    | 1/2-13" NC |
| 284TS | All    | 4.75 | 3.00 | 9  | 10.5 | 11.25 | 4    | 1/2-13" NC |
| 286TS | All    | 4.75 | 3.00 | 9  | 10.5 | 11.25 | 4    | 1/2-13" NC |
| 324T  | All    | 5.25 | 5.00 | 11 | 12.5 | 14.00 | 4    | 5/8-11" NC |
| 326T  | All    | 5.25 | 5.00 | 11 | 12.5 | 14.00 | 4    | 5/8-11" NC |
| 324TS | All    | 5.25 | 3.50 | 11 | 12.5 | 14.00 | 4    | 5/8-11" NC |
| 326TS | All    | 5.25 | 3.50 | 11 | 12.5 | 14.00 | 4    | 5/8-11" NC |

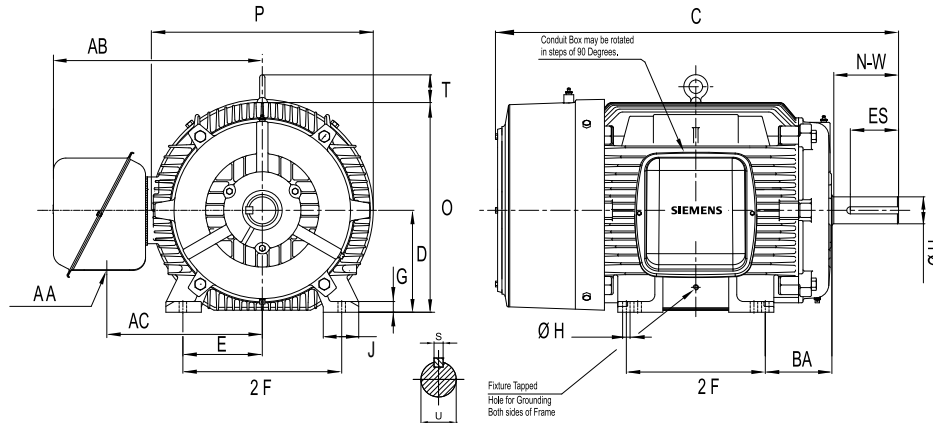
| Frame  | D-Flange |      |      |      |    |    |      |      |
|--------|----------|------|------|------|----|----|------|------|
|        | Poles    | BA   | AH   | AJ   | AK | BD | BF # | BF   |
| 284TD  | All      | 4.75 | 4.62 | 12.5 | 11 | 14 | 4    | 0.81 |
| 286TD  | All      | 4.75 | 4.62 | 12.5 | 11 | 14 | 4    | 0.81 |
| 284TSD | All      | 4.75 | 3.25 | 12.5 | 11 | 14 | 4    | 0.81 |
| 286TSD | All      | 4.75 | 3.25 | 12.5 | 11 | 14 | 4    | 0.81 |
| 324TD  | All      | 5.25 | 5.25 | 16.0 | 14 | 18 | 4    | 0.81 |
| 326TD  | All      | 5.25 | 5.25 | 16.0 | 14 | 18 | 4    | 0.81 |
| 324TSD | All      | 5.25 | 3.75 | 16.0 | 14 | 18 | 4    | 0.81 |
| 326TSD | All      | 5.25 | 3.75 | 16.0 | 14 | 18 | 4    | 0.81 |

Dimensions in inches.  
Typical dimensions data, not guaranteed.

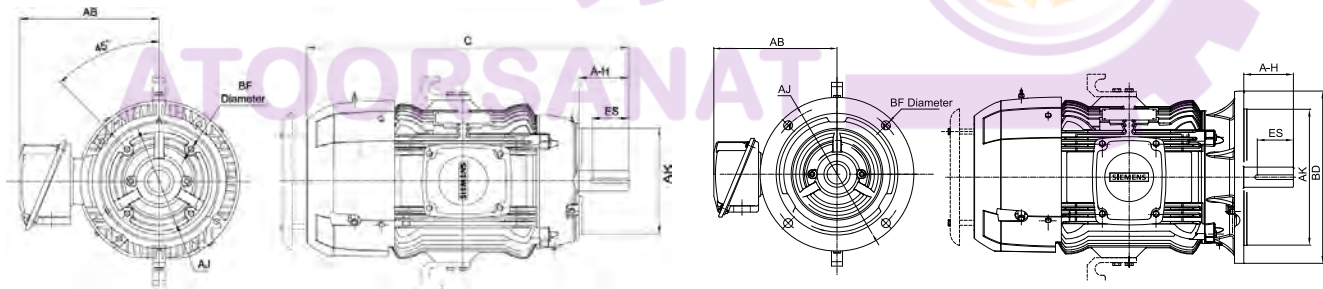
# General dimensions

## GP100

## General purpose Frames 360-400



| Frame | Poles | C     | 2F    | N-W  | P    | U     | BA   | AB    | 2E | D  | O     | Keyseat |       |      |
|-------|-------|-------|-------|------|------|-------|------|-------|----|----|-------|---------|-------|------|
|       |       |       |       |      |      |       |      |       |    |    |       | R       | S     | ES   |
| 364T  | All   | 35.53 | 11.25 | 5.88 | 19.6 | 2.375 | 5.88 | 17.56 | 14 | 9  | 18.48 | 2.02    | 0.625 | 4.25 |
| 365T  | All   | 35.53 | 12.25 | 5.88 | 19.6 | 2.375 | 5.88 | 17.56 | 14 | 9  | 18.48 | 2.02    | 0.625 | 4.25 |
| 364TS | All   | 33.40 | 11.25 | 3.75 | 19.6 | 1.875 | 5.88 | 17.56 | 14 | 9  | 18.48 | 1.59    | 0.500 | 2.00 |
| 365TS | All   | 33.40 | 12.25 | 3.75 | 19.6 | 1.875 | 5.88 | 17.56 | 14 | 9  | 18.48 | 1.59    | 0.500 | 2.00 |
| 404T  | All   | 39.50 | 12.25 | 7.25 | 19.6 | 2.875 | 6.62 | 17.68 | 16 | 10 | 19.60 | 2.45    | 0.750 | 5.63 |
| 405T  | All   | 39.50 | 13.75 | 7.25 | 19.6 | 2.875 | 6.62 | 17.68 | 16 | 10 | 19.60 | 2.45    | 0.750 | 5.63 |
| 404TS | All   | 36.50 | 12.25 | 4.25 | 19.6 | 2.125 | 6.62 | 17.68 | 16 | 10 | 19.60 | 1.85    | 0.500 | 2.75 |
| 405TS | All   | 36.50 | 13.75 | 4.25 | 19.6 | 2.125 | 6.62 | 17.68 | 16 | 10 | 19.60 | 1.85    | 0.500 | 2.75 |



| Frame  | Poles | C-Face |      |    |      |       |      |           |
|--------|-------|--------|------|----|------|-------|------|-----------|
|        |       | BA     | AH   | AJ | AK   | BD    | BF # | BF        |
| 364TC  | All   | 5.88   | 5.63 | 11 | 12.5 | 14.00 | 8    | 5/8"-11NC |
| 365TC  | All   | 5.88   | 5.63 | 11 | 12.5 | 14.00 | 8    | 5/8"-11NC |
| 364TSC | All   | 5.88   | 3.50 | 11 | 12.5 | 14.00 | 8    | 5/8"-11NC |
| 365TSC | All   | 5.88   | 3.50 | 11 | 12.5 | 14.00 | 8    | 5/8"-11NC |
| 404TC  | All   | 6.62   | 7.00 | 11 | 12.5 | 15.50 | 8    | 5/8"-11NC |
| 405TC  | All   | 6.62   | 7.00 | 11 | 12.5 | 15.50 | 8    | 5/8"-11NC |
| 404TSC | All   | 6.62   | 4.00 | 11 | 12.5 | 15.50 | 8    | 5/8"-11NC |
| 405TSC | All   | 6.62   | 4.00 | 11 | 12.5 | 15.50 | 8    | 5/8"-11NC |

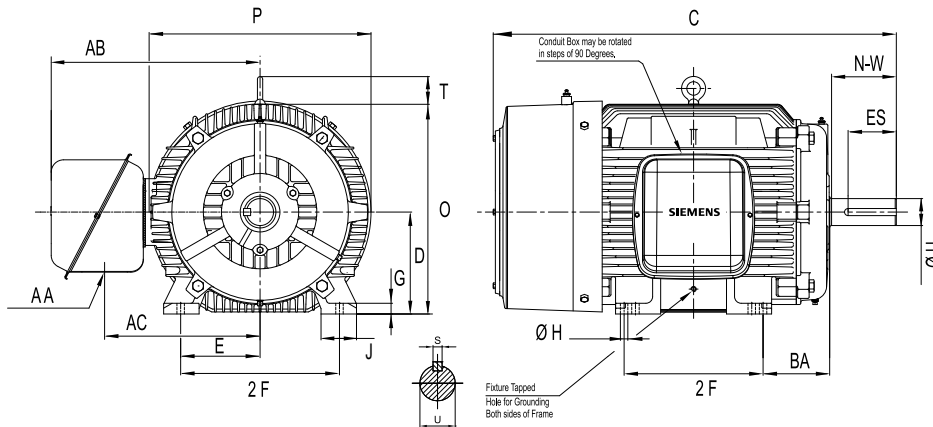
| Frame  | Poles | D-Flange |      |    |      |       |      |      |
|--------|-------|----------|------|----|------|-------|------|------|
|        |       | BA*      | AH   | AJ | AK   | BD    | BF # | BF   |
| 364TD  | All   | 6.75     | 5.88 | 16 | 14.0 | 18.00 | 4    | 0.81 |
| 365TD  | All   | 6.75     | 5.88 | 16 | 14.0 | 18.00 | 4    | 0.81 |
| 364TSD | All   | 6.75     | 3.75 | 16 | 14.0 | 18.00 | 4    | 0.81 |
| 365TSD | All   | 6.75     | 3.75 | 16 | 14.0 | 18.00 | 4    | 0.81 |
| 404TD  | All   | 7.12     | 7.25 | 20 | 18.0 | 22.00 | 8    | 0.81 |
| 405TD  | All   | 7.12     | 7.25 | 20 | 18.0 | 22.00 | 8    | 0.81 |
| 404TSD | All   | 7.12     | 4.25 | 20 | 18.0 | 22.00 | 8    | 0.81 |
| 405TSD | All   | 7.12     | 4.25 | 20 | 18.0 | 22.00 | 8    | 0.81 |

Dimensions in inches.  
Typical dimensions data, not guaranteed.  
\*Not according to NEMA.

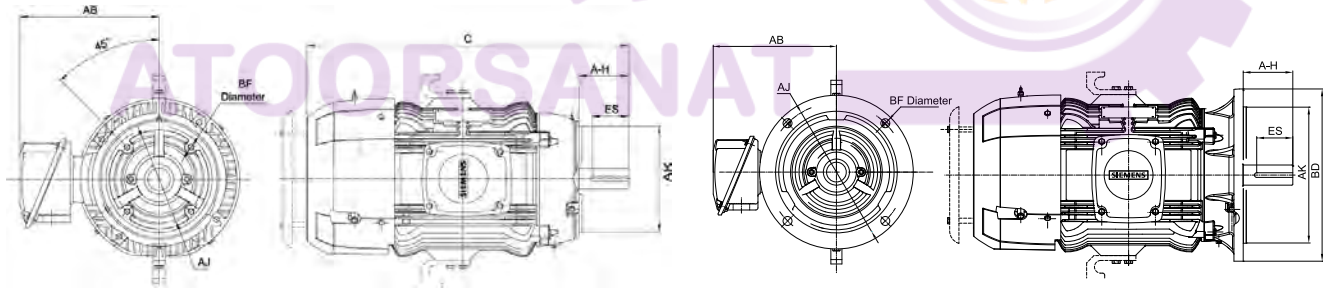


# General dimensions GP100

## General purpose Frames 440



| Frame | Poles | C     | 2F   | N-W  | P    | U     | BA  | AB    | 2E | D  | O    | Keyseat |       |      |
|-------|-------|-------|------|------|------|-------|-----|-------|----|----|------|---------|-------|------|
|       |       |       |      |      |      |       |     |       |    |    |      | R       | S     | ES   |
| 444T  | All   | 45.60 | 14.5 | 8.50 | 21.8 | 3.375 | 7.5 | 18.88 | 18 | 11 | 21.8 | 2.88    | 0.875 | 6.88 |
| 445T  | All   | 45.60 | 16.5 | 8.50 | 21.8 | 3.375 | 7.5 | 18.88 | 18 | 11 | 21.8 | 2.88    | 0.875 | 6.88 |
| 444TS | All   | 41.80 | 14.5 | 4.75 | 21.8 | 2.375 | 7.5 | 18.88 | 18 | 11 | 21.8 | 2.02    | 0.625 | 3.00 |
| 445TS | All   | 41.80 | 16.5 | 4.75 | 21.8 | 2.375 | 7.5 | 18.88 | 18 | 11 | 21.8 | 2.02    | 0.625 | 3.00 |
| 447T  | All   | 49.10 | 20.0 | 8.50 | 21.8 | 3.375 | 7.5 | 18.88 | 18 | 11 | 21.8 | 2.88    | 0.875 | 6.88 |
| 447TS | All   | 45.40 | 20.0 | 4.75 | 21.8 | 2.375 | 7.5 | 18.88 | 18 | 11 | 21.8 | 2.02    | 0.625 | 3.00 |
| 449T  | All   | 54.10 | 25.0 | 8.50 | 21.8 | 3.375 | 7.5 | 18.88 | 18 | 11 | 21.8 | 2.88    | 0.875 | 6.88 |
| 449TS | All   | 50.30 | 25.0 | 4.75 | 21.8 | 2.375 | 7.5 | 18.88 | 18 | 11 | 21.8 | 2.02    | 0.625 | 3.00 |



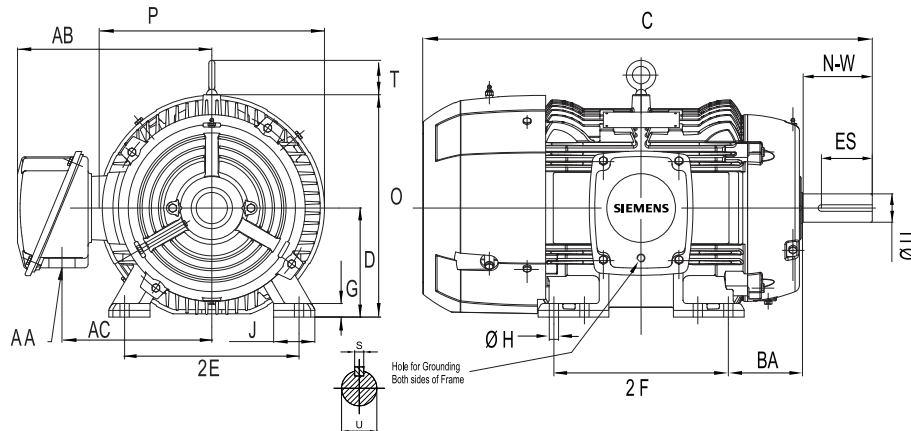
| Frame  | Poles | C-Face |      |    |    |    |      |           |
|--------|-------|--------|------|----|----|----|------|-----------|
|        |       | BA     | AH   | AJ | AK | BD | BF # | BF        |
| 444TC  | All   | 7.5    | 8.25 | 14 | 16 | 18 | 8    | 5/8"-11NC |
| 445TC  | All   | 7.5    | 8.25 | 14 | 16 | 18 | 8    | 5/8"-11NC |
| 444TSC | All   | 7.5    | 4.50 | 14 | 16 | 18 | 8    | 5/8"-11NC |
| 445TSC | All   | 7.5    | 4.50 | 14 | 16 | 18 | 8    | 5/8"-11NC |
| 447TC  | All   | 7.5    | 8.25 | 14 | 16 | 18 | 8    | 5/8"-11NC |
| 447TSC | All   | 7.5    | 4.50 | 14 | 16 | 18 | 8    | 5/8"-11NC |
| 449TC  | All   | 7.5    | 8.25 | 14 | 16 | 18 | 8    | 5/8"-11NC |
| 449TSC | All   | 7.5    | 4.50 | 14 | 16 | 18 | 8    | 5/8"-11NC |

| Frame  | Poles | D-Flange |      |    |    |    |      |      |
|--------|-------|----------|------|----|----|----|------|------|
|        |       | BA       | AH   | AJ | AK | BD | BF # | BF   |
| 444TD  | All   | 7.5      | 8.50 | 20 | 18 | 22 | 8    | 0.81 |
| 445TD  | All   | 7.5      | 8.50 | 20 | 18 | 22 | 8    | 0.81 |
| 444TSD | All   | 7.5      | 4.75 | 20 | 18 | 22 | 8    | 0.81 |
| 445TSD | All   | 7.5      | 4.75 | 20 | 18 | 22 | 8    | 0.81 |
| 447TD  | All   | 7.5      | 8.50 | 20 | 18 | 22 | 8    | 0.81 |
| 447TSD | All   | 7.5      | 4.75 | 20 | 18 | 22 | 8    | 0.81 |
| 449TD  | All   | 7.5      | 8.50 | 20 | 18 | 22 | 8    | 0.81 |
| 449TSD | All   | 7.5      | 4.75 | 20 | 18 | 22 | 8    | 0.81 |

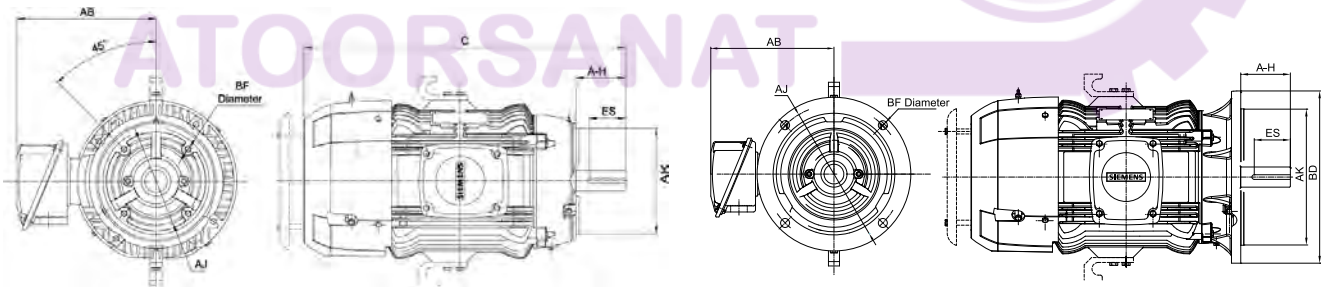
Dimensions in inches.  
Typical dimensions data, not guaranteed.

# General dimensions SD100

## Severe Duty Frames 140-280



| Frame | Poles | C    | 2F    | N-W  | P    | U     | BA    | AB    | 2E   | D    | O     | Keyseat |       |      |
|-------|-------|------|-------|------|------|-------|-------|-------|------|------|-------|---------|-------|------|
|       |       |      |       |      |      |       |       |       |      |      |       | R       | S     | ES   |
| 143T  | All   | 14.2 | 4.00  | 2.25 | 8.2  | 0.875 | 2.250 | 7.40  | 5.5  | 3.50 | 7.50  | 0.771   | 0.188 | 1.41 |
| 145T  | All   | 14.2 | 5.00  | 2.25 | 8.2  | 0.875 | 2.250 | 7.40  | 5.5  | 3.50 | 7.50  | 0.771   | 0.188 | 1.41 |
| 182T  | All   | 16.4 | 4.50  | 2.75 | 9.6  | 1.125 | 2.750 | 8.20  | 7.5  | 4.50 | 11.10 | 0.986   | 0.250 | 1.81 |
| 184T  | All   | 16.4 | 5.50  | 2.75 | 9.6  | 1.125 | 2.750 | 8.20  | 7.5  | 4.50 | 11.10 | 0.986   | 0.250 | 1.81 |
| 213T  | All   | 20.2 | 5.50  | 3.38 | 10.7 | 1.375 | 3.500 | 10.39 | 8.5  | 5.25 | 10.66 | 1.201   | 0.312 | 2.44 |
| 215T  | All   | 20.2 | 7.00  | 3.38 | 10.7 | 1.375 | 3.500 | 10.39 | 8.5  | 5.25 | 10.66 | 1.201   | 0.312 | 2.44 |
| 254T  | All   | 25.8 | 8.25  | 4.00 | 12.9 | 1.625 | 4.250 | 11.14 | 10.0 | 6.25 | 12.75 | 1.416   | 0.375 | 2.91 |
| 256T  | All   | 25.8 | 10.00 | 4.00 | 12.9 | 1.625 | 4.250 | 11.14 | 10.0 | 6.25 | 12.75 | 1.416   | 0.375 | 2.91 |
| 284T  | 4,6   | 29.4 | 9.50  | 4.63 | 15.8 | 1.875 | 4.750 | 14.30 | 11.0 | 7.00 | 14.87 | 0.500   | 1.591 | 3.25 |
| 286T  | 4,6   | 29.4 | 11.00 | 4.63 | 15.8 | 1.875 | 4.750 | 14.30 | 11.0 | 7.00 | 14.87 | 0.500   | 1.591 | 3.25 |



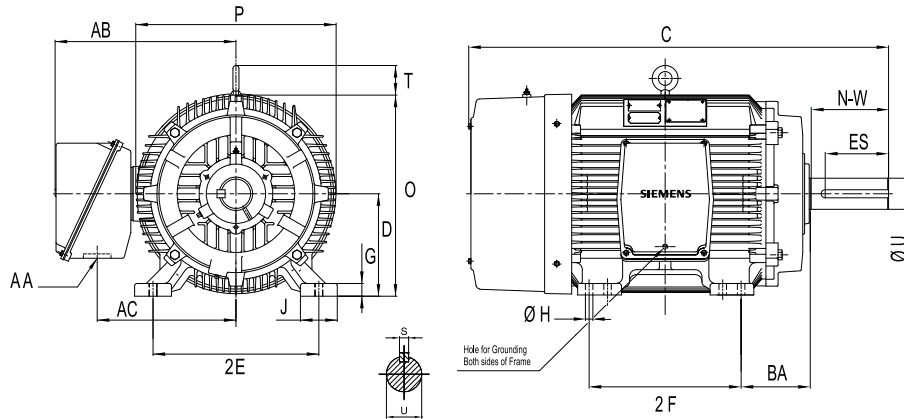
| Frame  | Poles | C-Face |      |       |     |       |      |           |
|--------|-------|--------|------|-------|-----|-------|------|-----------|
|        |       | BA*    | AH   | AJ    | AK  | BD    | BF # | BF        |
| 143TC  | All   | 2.25   | 2.12 | 5.875 | 4.5 | 6.50  | 4    | 3/8"-16NC |
| 145TC  | All   | 2.25   | 2.12 | 5.875 | 4.5 | 6.50  | 4    | 3/8"-16NC |
| 182TC  | All   | 2.75   | 2.62 | 7.250 | 8.5 | 9.00  | 4    | 1/2"-13NC |
| 182TCH | All   | 2.75   | 2.62 | 5.875 | 4.5 | 6.50  | 4    | 1/2"-13NC |
| 184TCH | All   | 2.75   | 2.62 | 7.250 | 4.5 | 6.50  | 4    | 1/2"-13NC |
| 213TC  | All   | 3.50   | 3.12 | 5.875 | 8.5 | 9.00  | 4    | 1/2"-13NC |
| 215TC  | All   | 3.50   | 3.12 | 7.250 | 8.5 | 9.00  | 4    | 1/2"-13NC |
| 254TC  | All   | 4.25   | 3.75 | 7.250 | 8.5 | 10.00 | 4    | 1/2"-13NC |
| 256TC  | All   | 4.25   | 3.75 | 7.250 | 8.5 | 10.00 | 4    | 1/2"-13NC |

| Frame | Poles | D-Flange |      |      |      |    |      |      |
|-------|-------|----------|------|------|------|----|------|------|
|       |       | BA       | AH   | AJ   | AK   | BD | BF # | BF   |
| 143TD | All   | 2.25     | 2.00 | 10.0 | 4.5  | 11 | 4    | 0.53 |
| 145TD | All   | 2.25     | 2.00 | 10.0 | 9.0  | 11 | 4    | 0.53 |
| 182TD | All   | 2.75     | 2.50 | 10.0 | 9.0  | 11 | 4    | 0.53 |
| 184TD | All   | 2.75     | 2.50 | 10.0 | 9.0  | 11 | 4    | 0.53 |
| 213TD | All   | 3.50     | 3.13 | 10.0 | 9.0  | 11 | 4    | 0.53 |
| 215TD | All   | 3.50     | 3.13 | 10.0 | 9.0  | 11 | 4    | 0.53 |
| 254TD | All   | 4.25     | 3.75 | 12.5 | 11.0 | 14 | 4    | 0.81 |
| 256TD | All   | 4.25     | 3.75 | 12.5 | 11.0 | 14 | 4    | 0.81 |
| 284TD | 4,6   | 4.75     | 4.37 | 12.5 | 11.0 | 14 | 4    | 0.81 |
| 286TD | 4,6   | 4.75     | 4.37 | 12.5 | 11.0 | 14 | 4    | 0.81 |

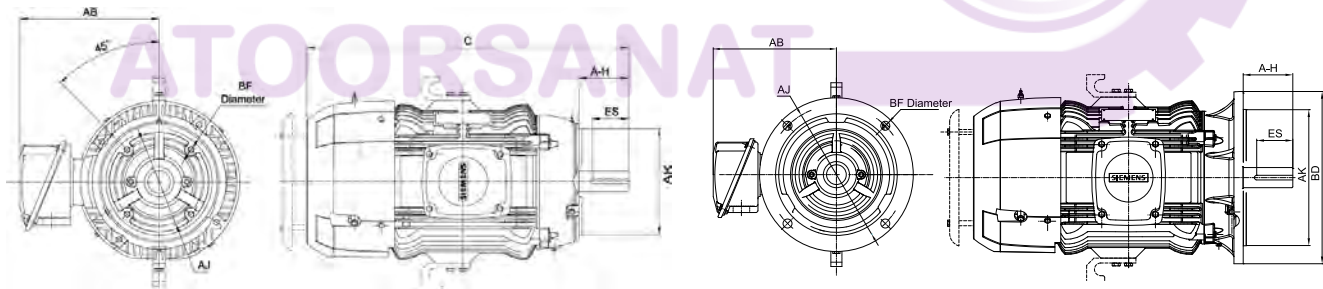
Dimensions in inches.  
Typical dimensions data, not guaranteed.  
\*Not according to NEMA.

# General dimensions SD100

Severe duty  
Frames 280-360



| Frame | Poles | C    | 2F    | N-W  | P    | U     | BA    | AB    | 2E   | D   | O     | Keyseat |       |      |
|-------|-------|------|-------|------|------|-------|-------|-------|------|-----|-------|---------|-------|------|
|       |       |      |       |      |      |       |       |       |      |     |       | R       | S     | ES   |
| 284TS | 2     | 26.0 | 9.50  | 3.25 | 14.4 | 1.625 | 4.750 | 13.39 | 11.0 | 7.0 | 14.27 | 0.375   | 1.416 | 1.88 |
| 284TS | 4,6   | 28.0 | 9.50  | 3.25 | 15.8 | 1.625 | 4.750 | 14.33 | 11.0 | 7.0 | 14.87 | 0.375   | 1.416 | 1.88 |
| 286TS | 2     | 27.5 | 11.00 | 3.25 | 14.4 | 1.625 | 4.750 | 13.39 | 11.0 | 7.0 | 14.27 | 0.375   | 1.416 | 1.88 |
| 286TS | 4,6   | 28.0 | 11.00 | 3.25 | 15.8 | 1.625 | 4.750 | 14.33 | 11.0 | 7.0 | 14.87 | 0.375   | 1.416 | 1.88 |
| 324T  | 4,6   | 32.1 | 10.50 | 5.25 | 17.7 | 2.125 | 5.250 | 15.99 | 12.5 | 8.0 | 16.66 | 0.500   | 1.845 | 3.88 |
| 326T  | 4,6   | 32.1 | 12.00 | 5.25 | 17.7 | 2.125 | 5.250 | 15.99 | 12.5 | 8.0 | 16.66 | 0.500   | 1.845 | 3.88 |
| 324TS | 2     | 30.0 | 10.50 | 3.75 | 15.8 | 1.875 | 5.250 | 15.50 | 12.5 | 8.0 | 15.90 | 0.500   | 1.591 | 2.00 |
| 324TS | 4,6   | 30.6 | 10.50 | 3.75 | 17.7 | 1.875 | 5.250 | 15.99 | 12.5 | 8.0 | 16.66 | 0.500   | 1.591 | 2.00 |
| 326TS | 2     | 30.0 | 12.00 | 3.75 | 15.8 | 1.875 | 5.250 | 15.50 | 12.5 | 8.0 | 15.90 | 0.500   | 1.591 | 2.00 |
| 326TS | 4,6   | 30.6 | 12.00 | 3.75 | 17.7 | 1.875 | 5.250 | 15.99 | 12.5 | 8.0 | 16.66 | 0.500   | 1.591 | 2.00 |



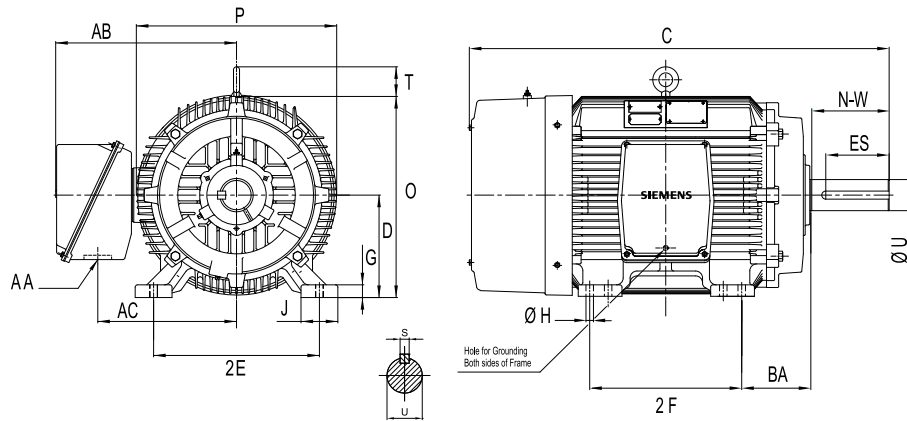
| Frame  | C-Face |      |      |    |      |       |      |           |
|--------|--------|------|------|----|------|-------|------|-----------|
|        | Poles  | BA   | AH   | AJ | AK   | BD    | BF # | BF        |
| 284TC  | 4, 6   | 4.75 | 4.38 | 9  | 10.5 | 11.25 | 4    | 1/2"-13NC |
| 286TC  | 4,6    | 4.75 | 4.38 | 9  | 10.5 | 11.25 | 4    | 1/2"-13NC |
| 284TSC | 2      | 4.75 | 3.00 | 9  | 10.5 | 11.25 | 4    | 1/2"-13NC |
| 284TSC | 4,6    | 4.75 | 3.00 | 9  | 10.5 | 11.25 | 4    | 1/2"-13NC |
| 286TSC | 2      | 4.75 | 3.00 | 9  | 10.5 | 11.25 | 4    | 1/2"-13NC |
| 286TSC | 4, 6   | 4.75 | 3.00 | 9  | 10.5 | 11.25 | 4    | 1/2"-13NC |
| 324TC  | 4, 6   | 5.25 | 5.00 | 11 | 12.5 | 14.00 | 4    | 5/8"-11NC |
| 326TC  | 4,6    | 5.25 | 5.00 | 11 | 12.5 | 14.00 | 4    | 5/8"-11NC |
| 324TSC | 2      | 5.25 | 3.50 | 11 | 12.5 | 14.00 | 4    | 5/8"-11NC |
| 324TSC | 4,6    | 5.25 | 3.50 | 11 | 12.5 | 14.00 | 4    | 5/8"-11NC |

| Frame  | D-Flange |      |      |      |      |      |      |      |
|--------|----------|------|------|------|------|------|------|------|
|        | Poles    | BA   | AH   | AJ   | AK   | BD   | BF # | BF   |
| 284TSD | 2        | 4.75 | 4.38 | 12.5 | 11.0 | 14.0 | 4    | 0.81 |
| 284TSD | 4,6      | 4.75 | 4.38 | 12.5 | 11.0 | 14.0 | 4    | 0.81 |
| 286TSD | 2        | 4.75 | 3.00 | 12.5 | 11.0 | 14.0 | 4    | 0.81 |
| 286TSD | 4,6      | 4.75 | 3.00 | 12.5 | 11.0 | 14.0 | 4    | 0.81 |
| 324TD  | 4,6      | 5.25 | 5.00 | 16.0 | 14.0 | 18.0 | 4    | 0.81 |
| 326TD  | 4,6      | 5.25 | 5.00 | 16.0 | 14.0 | 18.0 | 4    | 0.81 |
| 324TSD | 2        | 5.25 | 5.00 | 16.0 | 14.0 | 18.0 | 4    | 0.81 |
| 324TSD | 4,6      | 5.25 | 5.00 | 16.0 | 14.0 | 18.0 | 4    | 0.81 |
| 326TSD | 2        | 5.25 | 3.50 | 16.0 | 14.0 | 18.0 | 4    | 0.81 |
| 326TSD | 4,6      | 5.25 | 3.50 | 16.0 | 14.0 | 18.0 | 4    | 0.81 |

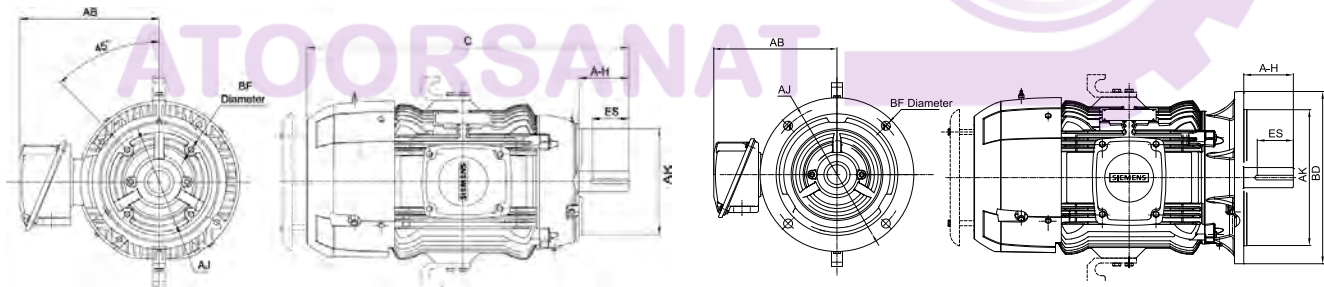
Dimensions in inches.  
Typical dimensions data, not guaranteed.

# General dimensions SD100

## Severe Duty Frames 360-400



| Frame | Poles | C    | 2F    | N-W  | P    | U     | BA    | AB    | 2E   | D    | O     | Keyseat |       |      |
|-------|-------|------|-------|------|------|-------|-------|-------|------|------|-------|---------|-------|------|
|       |       |      |       |      |      |       |       |       |      |      |       | R       | S     | ES   |
| 364T  | 4,6   | 35.5 | 11.25 | 5.88 | 19.6 | 2.375 | 5.880 | 18.57 | 14.0 | 9.0  | 18.48 | 2.021   | 0.625 | 4.25 |
| 365T  | 4,6   | 35.5 | 12.25 | 5.88 | 19.6 | 2.375 | 5.880 | 18.57 | 14.0 | 9.0  | 18.48 | 2.021   | 0.625 | 4.25 |
| 364TS | 2     | 32.1 | 11.25 | 3.75 | 17.7 | 1.875 | 5.880 | 17.94 | 14.0 | 9.0  | 17.81 | 1.591   | 0.500 | 2.00 |
| 364TS | 4,6   | 33.4 | 11.25 | 3.75 | 19.6 | 1.875 | 5.880 | 18.57 | 14.0 | 9.0  | 18.48 | 1.591   | 0.500 | 2.00 |
| 365TS | 2     | 32.1 | 12.25 | 3.75 | 17.7 | 1.875 | 5.880 | 17.94 | 14.0 | 9.0  | 17.81 | 1.591   | 0.500 | 2.00 |
| 365TS | 4,6   | 33.4 | 12.25 | 3.75 | 19.6 | 1.875 | 5.880 | 18.57 | 14.0 | 9.0  | 18.48 | 1.591   | 0.500 | 2.00 |
| 404T  | All   | 39.4 | 12.25 | 7.25 | 19.6 | 2.875 | 6.620 | 18.38 | 16.0 | 10.0 | 19.60 | 2.450   | 0.750 | 5.63 |
| 405T  | All   | 39.4 | 13.75 | 7.25 | 19.6 | 2.875 | 6.620 | 18.38 | 16.0 | 10.0 | 19.60 | 2.450   | 0.750 | 5.63 |
| 404TS | All   | 36.4 | 12.25 | 4.25 | 19.6 | 2.125 | 6.620 | 18.38 | 16.0 | 10.0 | 19.60 | 1.845   | 0.500 | 2.75 |
| 405TS | All   | 36.4 | 13.75 | 4.25 | 19.6 | 2.125 | 6.620 | 18.38 | 16.0 | 10.0 | 19.60 | 1.845   | 0.500 | 2.75 |



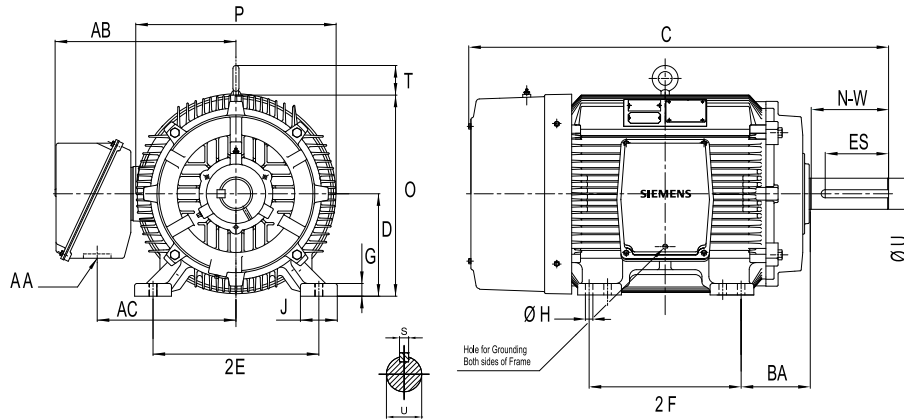
| Frame  | Poles | C-Face |      |    |      |       |      |           |
|--------|-------|--------|------|----|------|-------|------|-----------|
|        |       | BA     | AH   | AJ | AK   | BD    | BF # | BF        |
| 326TSC | 2     | 5.25   | 3.50 | 11 | 12.5 | 14.00 | 4    | 5/8"-11NC |
| 326TSC | 4,6   | 5.25   | 3.50 | 11 | 12.5 | 14.00 | 4    | 5/8"-11NC |
| 364TC  | 4,6   | 5.88   | 5.63 | 11 | 12.5 | 12.75 | 8    | 5/8"-11NC |
| 365TC  | 4,6   | 5.88   | 5.63 | 11 | 12.5 | 12.75 | 8    | 5/8"-11NC |
| 364TSC | 2     | 5.88   | 3.50 | 11 | 12.5 | 14.00 | 8    | 5/8"-11NC |
| 364TSC | 4,6   | 5.88   | 3.50 | 11 | 12.5 | 12.75 | 8    | 5/8"-11NC |
| 365TSC | 2     | 5.88   | 3.50 | 11 | 12.5 | 14.00 | 8    | 5/8"-11NC |
| 365TSC | 4,6   | 5.88   | 3.50 | 11 | 12.5 | 12.75 | 8    | 5/8"-11NC |
| 404TC  | All   | 6.62   | 7.00 | 11 | 12.5 | 15.50 | 8    | 5/8"-11NC |
| 405TC  | All   | 6.62   | 7.00 | 11 | 12.5 | 15.50 | 8    | 5/8"-11NC |
| 404TSC | All   | 6.62   | 4.00 | 11 | 12.5 | 15.50 | 8    | 5/8"-11NC |

| Frame  | Poles | D-Flange |      |    |      |       |      |      |
|--------|-------|----------|------|----|------|-------|------|------|
|        |       | BA       | AH   | AJ | AK   | BD    | BF # | BF   |
| 364TD  | 4,6   | 5.88     | 5.63 | 16 | 14.0 | 18.00 | 4    | 0.81 |
| 365TD  | 4,6   | 5.88     | 5.63 | 16 | 14.0 | 18.00 | 4    | 0.81 |
| 364TSD | 2     | 5.88     | 3.50 | 16 | 14.0 | 18.00 | 4    | 0.81 |
| 364TSD | 4,6   | 5.88     | 3.50 | 16 | 14.0 | 18.00 | 4    | 0.81 |
| 365TSD | 2     | 5.88     | 3.50 | 16 | 14.0 | 18.00 | 4    | 0.81 |
| 365TSD | 4,6   | 5.88     | 3.50 | 16 | 14.0 | 18.00 | 4    | 0.81 |
| 404TD  | All   | 6.62     | 7.00 | 20 | 18.0 | 22.00 | 8    | 0.81 |
| 405TD  | All   | 6.62     | 7.00 | 20 | 18.0 | 22.00 | 8    | 0.81 |
| 404TSD | All   | 6.62     | 4.00 | 20 | 18.0 | 22.00 | 8    | 0.81 |
| 405TSD | All   | 6.62     | 4.00 | 20 | 18.0 | 22.00 | 8    | 0.81 |

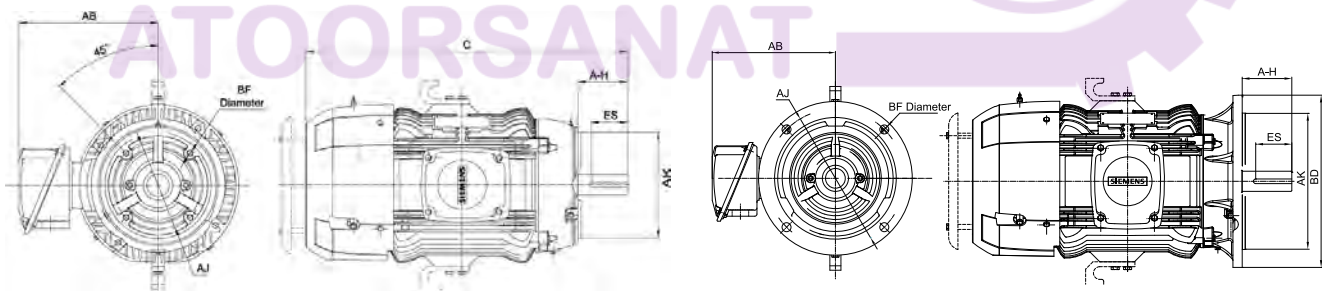
Dimensions in inches.  
Typical dimensions data, not guaranteed.

# General dimensions SD100

## Severe duty Frames 400-S440



| Frame  | Poles           | C    | 2F    | N-W  | P    | U     | BA    | AB    | 2E   | D    | O     | Keyseat |       |      |
|--------|-----------------|------|-------|------|------|-------|-------|-------|------|------|-------|---------|-------|------|
|        |                 |      |       |      |      |       |       |       |      |      |       | R       | S     | ES   |
| 444T   | All             | 45.6 | 14.50 | 8.50 | 21.8 | 3.375 | 7.500 | 19.63 | 18.0 | 11.0 | 21.80 | 2.880   | 0.875 | 6.88 |
| 445T   | All             | 45.6 | 16.50 | 8.50 | 21.8 | 3.375 | 7.500 | 19.63 | 18.0 | 11.0 | 21.80 | 2.880   | 0.875 | 6.88 |
| 444TS  | All             | 41.8 | 14.50 | 4.75 | 21.8 | 2.375 | 7.500 | 19.63 | 18.0 | 11.0 | 21.80 | 2.021   | 0.625 | 3.05 |
| 445TS  | All             | 41.8 | 16.50 | 4.75 | 21.8 | 2.375 | 7.500 | 19.63 | 18.0 | 11.0 | 21.80 | 2.021   | 0.625 | 3.05 |
| 447T   | All             | 49.0 | 20.00 | 8.50 | 21.8 | 3.375 | 7.500 | 19.63 | 18.0 | 11.0 | 22.00 | 2.880   | 0.875 | 6.88 |
| 447TS  | All             | 45.3 | 20.00 | 4.75 | 21.8 | 2.375 | 7.500 | 19.63 | 18.0 | 11.0 | 22.00 | 2.021   | 0.625 | 3.05 |
| 449T   | All             | 54.0 | 25.00 | 8.50 | 21.8 | 3.375 | 7.500 | 22.00 | 18.0 | 11.0 | 22.00 | 2.880   | 0.875 | 6.88 |
| 449TS  | All             | 50.3 | 25.00 | 4.75 | 21.8 | 2.375 | 7.500 | 22.00 | 18.0 | 11.0 | 22.00 | 2.021   | 0.625 | 3.05 |
| S449LS | All             | 63.6 | 25.00 | 9.12 | 24.6 | 3.625 | 7.500 | 23.00 | 18.0 | 11.0 | 23.30 | 3.134   | 0.875 | 7.50 |
| S449SS | All             | 59.8 | 25.00 | 5.25 | 24.6 | 2.625 | 7.500 | 23.00 | 18.0 | 11.0 | 23.30 | 2.275   | 0.625 | 3.50 |
| S449SS | 2 <sup>1)</sup> | 63.2 | 25.00 | 5.25 | 24.6 | 2.625 | 7.500 | 23.00 | 18.0 | 11.0 | 23.30 | 2.275   | 0.625 | 3.50 |



| Frame   | Poles | C-Face |      |    |      |       |      |           |
|---------|-------|--------|------|----|------|-------|------|-----------|
|         |       | BA     | AH   | AJ | AK   | BD    | BF # | BF        |
| 405TSC  | All   | 6.62   | 4.00 | 11 | 12.5 | 15.50 | 8    | 5/8"-11NC |
| 444TC   | All   | 7.50   | 8.25 | 14 | 16.0 | 18.00 | 8    | 5/8"-11NC |
| 445TC   | All   | 7.50   | 8.25 | 14 | 16.0 | 18.00 | 8    | 5/8"-11NC |
| 444TSC  | All   | 7.50   | 4.50 | 14 | 16.0 | 18.00 | 8    | 5/8"-11NC |
| 445TSC  | All   | 7.50   | 4.50 | 14 | 16.0 | 18.00 | 8    | 5/8"-11NC |
| 447TC   | All   | 7.50   | 8.25 | 14 | 16.0 | 18.00 | 8    | 5/8"-11NC |
| 447TSC  | All   | 7.50   | 4.50 | 14 | 16.0 | 18.00 | 8    | 5/8"-11NC |
| 449TC   | All   | 7.50   | 8.25 | 14 | 16.0 | 18.00 | 8    | 5/8"-11NC |
| 449TSC  | All   | 7.50   | 4.50 | 14 | 16.0 | 18.00 | 8    | 5/8"-11NC |
| S449LSC | All   | 7.50   | 8.25 | 14 | 16.0 | 18.00 | 8    | 5/8"-11NC |
| S449SSC | All   | 7.50   | 4.50 | 14 | 16.0 | 18.00 | 8    | 5/8"-11NC |

| Frame   | Poles | D-Flange |      |    |      |      |      |      |
|---------|-------|----------|------|----|------|------|------|------|
|         |       | BA       | AH   | AJ | AK   | BD   | BF # | BF   |
| 444TD   | All   | 7.5      | 8.50 | 20 | 18.0 | 22.0 | 8    | 0.81 |
| 445TD   | All   | 7.5      | 8.50 | 20 | 18.0 | 22.0 | 8    | 0.81 |
| 444TSD  | All   | 7.5      | 4.75 | 20 | 18.0 | 22.0 | 8    | 0.81 |
| 445TSD  | All   | 7.5      | 4.75 | 20 | 18.0 | 22.0 | 8    | 0.81 |
| 447TD   | All   | 7.5      | 8.50 | 20 | 18.0 | 22.0 | 8    | 0.81 |
| 447TSD  | All   | 7.5      | 4.75 | 20 | 18.0 | 22.0 | 8    | 0.81 |
| 449TD   | All   | 7.5      | 8.50 | 20 | 18.0 | 22.0 | 8    | 0.81 |
| 449TSD  | All   | 7.5      | 4.75 | 20 | 18.0 | 22.0 | 8    | 0.81 |
| S449LSD | All   | 7.5      | 8.50 | 20 | 18.0 | 22.0 | 8    | 0.81 |
| S449SSD | All   | 7.5      | 4.75 | 20 | 18.0 | 22.0 | 8    | 0.81 |

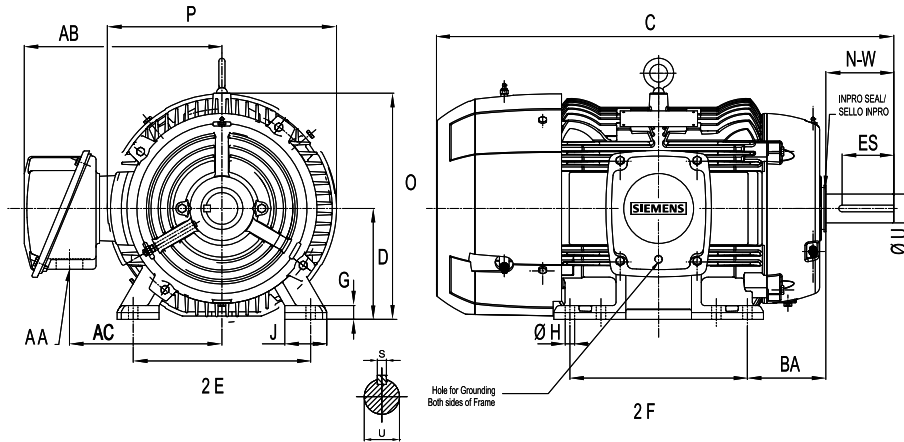
1) Only for 400HP  
Dimensions in inches.

Typical dimensions data, not guaranteed.

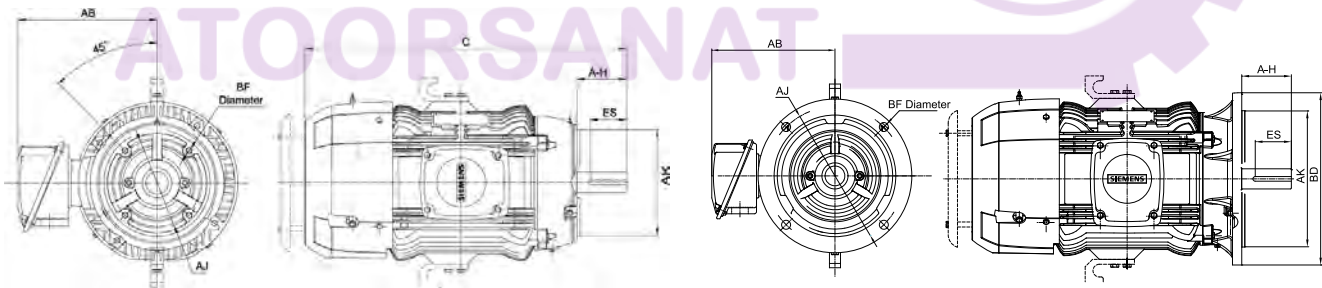
# General dimensions

## SD100 IEEE841

## Severe duty Frames 140-250



| Frame | Poles   | C    | 2F   | N-W  | P    | U     | BA   | AB     | 2E   | D    | O     | Keyseat |       |      |
|-------|---------|------|------|------|------|-------|------|--------|------|------|-------|---------|-------|------|
|       |         |      |      |      |      |       |      |        |      |      |       | R       | S     | ES   |
| 143T  | 2,4,6,8 | 14.0 | 4.00 | 1.77 | 8.1  | 0.875 | 2.73 | 7.050  | 5.5  | 3.50 | 7.42  | 0.771   | 0.188 | 1.41 |
| 145T  | 2,4,6,8 | 14.0 | 5.00 | 1.77 | 8.1  | 0.875 | 2.73 | 7.050  | 5.5  | 3.50 | 7.42  | 0.771   | 0.188 | 1.41 |
| 182T  | 2,8     | 14.8 | 4.50 | 2.46 | 9.0  | 1.125 | 3.03 | 8.000  | 7.5  | 4.50 | 9.00  | 0.986   | 0.250 | 1.78 |
| 182T  | 4,6     | 16.2 | 4.50 | 2.46 | 10.8 | 1.125 | 3.03 | 8.580  | 7.5  | 4.50 | 9.74  | 0.986   | 0.250 | 1.78 |
| 184T  | 2,8     | 15.9 | 5.50 | 2.46 | 9.0  | 1.125 | 3.03 | 8.000  | 7.5  | 4.50 | 9.00  | 0.986   | 0.250 | 1.78 |
| 184T  | 4,6     | 16.2 | 5.50 | 2.46 | 10.8 | 1.125 | 3.03 | 8.580  | 7.5  | 4.50 | 9.74  | 0.986   | 0.250 | 1.78 |
| 213T  | 2,8     | 18.2 | 5.50 | 2.88 | 10.6 | 1.375 | 4.00 | 9.400  | 8.5  | 5.25 | 10.43 | 1.201   | 0.312 | 2.41 |
| 213T  | 4,6     | 20.3 | 5.50 | 2.85 | 12.2 | 1.375 | 4.03 | 10.630 | 8.5  | 5.25 | 11.35 | 1.201   | 0.312 | 2.41 |
| 215T  | 2,8     | 19.7 | 7.00 | 2.88 | 10.6 | 1.375 | 4.00 | 9.400  | 8.5  | 5.25 | 10.43 | 1.201   | 0.312 | 2.41 |
| 215T  | 4,6     | 20.3 | 7.00 | 2.85 | 12.2 | 1.375 | 4.03 | 10.630 | 8.5  | 5.25 | 11.35 | 1.201   | 0.312 | 2.41 |
| 254T  | 2,8     | 23.2 | 8.25 | 3.55 | 12.7 | 1.625 | 4.70 | 10.650 | 10.0 | 6.25 | 12.33 | 1.416   | 0.375 | 2.91 |



| Frame  | Poles | C-Face |      |       |     |      |      |           |
|--------|-------|--------|------|-------|-----|------|------|-----------|
|        |       | BA*    | AH   | AJ    | AK  | BD   | BF # | BF        |
| 143TC  | 2,4,6 | 2.38   | 2.12 | 5.875 | 4.5 | 6.50 | 4    | 3/8"-16NC |
| 145TC  | 2,4,6 | 2.38   | 2.12 | 5.875 | 4.5 | 6.50 | 4    | 3/8"-16NC |
| 182TC  | 2     | 2.87   | 2.62 | 7.250 | 8.5 | 9.00 | 4    | 1/2"-13NC |
| 182TC  | 4,6   | 2.87   | 2.62 | 7.250 | 8.5 | 9.00 | 4    | 1/2"-13NC |
| 182TCH | 2     | 2.87   | 2.62 | 5.875 | 4.5 | 6.50 | 4    | 1/2"-13NC |
| 182TCH | 4,6   | 2.87   | 2.62 | 5.875 | 4.5 | 6.50 | 4    | 1/2"-13NC |
| 184TC  | 2     | 2.87   | 2.62 | 7.250 | 8.5 | 9.00 | 4    | 1/2"-13NC |
| 184TC  | 4,6   | 2.87   | 2.62 | 7.250 | 8.5 | 9.00 | 4    | 1/2"-13NC |
| 184TCH | 2     | 2.87   | 2.62 | 5.875 | 4.5 | 6.50 | 4    | 1/2"-13NC |
| 184TCH | 4,6   | 2.87   | 2.62 | 5.875 | 4.5 | 6.50 | 4    | 1/2"-13NC |
| 213TC  | 2     | 3.72   | 3.12 | 7.250 | 8.5 | 9.00 | 4    | 1/2"-13NC |
| 213TC  | 4,6   | 3.72   | 3.12 | 7.250 | 8.5 | 9.00 | 4    | 1/2"-13NC |

| Frame | Poles | D-Flange |      |      |      |      |      |      |
|-------|-------|----------|------|------|------|------|------|------|
|       |       | BA*      | AH   | AJ   | AK   | BD   | BF # | BF   |
| 143TD | 2,4,6 | 2.38     | 2.25 | 10.0 | 9.0  | 11.0 | 4    | 0.53 |
| 145TD | 2,4,6 | 2.38     | 2.25 | 10.0 | 9.0  | 11.0 | 4    | 0.53 |
| 182TD | 2     | 2.87     | 2.75 | 10.0 | 9.0  | 11.0 | 4    | 0.53 |
| 182TD | 4,6   | 2.87     | 2.75 | 10.0 | 9.0  | 11.0 | 4    | 0.53 |
| 184TD | 2     | 2.87     | 2.75 | 10.0 | 9.0  | 11.0 | 4    | 0.53 |
| 184TD | 4,6   | 2.87     | 2.75 | 10.0 | 9.0  | 11.0 | 4    | 0.53 |
| 213TD | 2     | 3.72     | 3.32 | 10.0 | 9.0  | 11.0 | 4    | 0.53 |
| 213TD | 4,6   | 3.72     | 3.32 | 10.0 | 9.0  | 11.0 | 4    | 0.53 |
| 215TD | 2     | 3.72     | 3.32 | 10.0 | 9.0  | 11.0 | 4    | 0.53 |
| 215TD | 4,6   | 3.72     | 3.32 | 10.0 | 9.0  | 11.0 | 4    | 0.53 |
| 254TD | 2     | 4.42     | 4.00 | 12.5 | 11.0 | 14.0 | 4    | 0.81 |

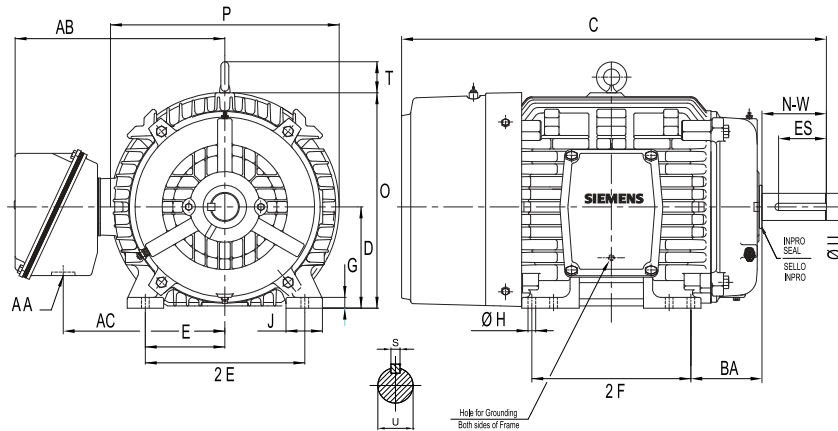
Dimensions in inches.  
Typical dimensions data, not guaranteed.

\*Not according to NEMA.

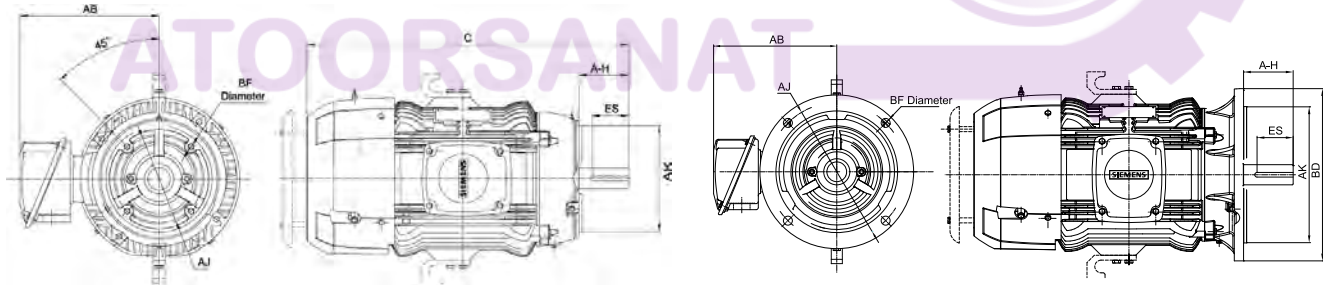
# General dimensions

## SD100 IEEE841

Severe duty  
Frames 250-280



| Frame | Poles | C    | 2F    | N-W  | P    | U     | BA   | AB     | 2E   | D    | O     | Keyseat |       |      |
|-------|-------|------|-------|------|------|-------|------|--------|------|------|-------|---------|-------|------|
|       |       |      |       |      |      |       |      |        |      |      |       | R       | S     | ES   |
| 254T  | 4,6   | 25.8 | 8.25  | 3.47 | 14.4 | 1.625 | 4.78 | 11.620 | 10.0 | 6.25 | 13.34 | 1.416   | 0.375 | 2.91 |
| 256T  | 2,8   | 24.9 | 10.00 | 3.55 | 12.7 | 1.625 | 4.70 | 10.650 | 10.0 | 6.25 | 12.33 | 1.416   | 0.375 | 2.91 |
| 256T  | 4,6   | 25.8 | 10.00 | 3.47 | 14.4 | 1.625 | 4.78 | 11.620 | 10.0 | 6.25 | 13.34 | 1.416   | 0.375 | 2.91 |
| 284T  | 8     | 27.4 | 9.50  | 4.17 | 14.4 | 1.875 | 5.20 | 13.390 | 11.0 | 7.00 | 14.27 | 1.591   | 0.500 | 3.25 |
| 284T  | 4,6   | 29.4 | 9.50  | 4.09 | 15.8 | 1.875 | 5.29 | 14.300 | 11.0 | 7.00 | 14.87 | 1.591   | 0.500 | 3.25 |
| 286T  | 8     | 28.9 | 11.00 | 4.17 | 14.4 | 1.875 | 5.20 | 13.390 | 11.0 | 7.00 | 14.27 | 1.591   | 0.500 | 3.25 |
| 286T  | 4,6   | 29.4 | 11.00 | 4.09 | 15.8 | 1.875 | 5.29 | 14.300 | 11.0 | 7.00 | 14.87 | 1.591   | 0.500 | 3.25 |
| 284TS | 2,8   | 26.0 | 9.50  | 2.80 | 14.4 | 1.625 | 5.20 | 13.390 | 11.0 | 7.00 | 14.27 | 1.416   | 0.375 | 1.88 |
| 284TS | 4,6   | 28.0 | 9.50  | 2.72 | 15.8 | 1.625 | 5.28 | 14.330 | 11.0 | 7.00 | 14.87 | 1.416   | 0.375 | 1.88 |
| 286TS | 2,8   | 27.5 | 11.00 | 2.80 | 14.4 | 1.625 | 5.20 | 13.390 | 11.0 | 7.00 | 14.27 | 1.416   | 0.375 | 1.88 |
| 286TS | 4,6   | 28.0 | 11.00 | 2.72 | 15.8 | 1.625 | 5.28 | 14.330 | 11.0 | 7.00 | 14.87 | 1.416   | 0.375 | 1.88 |



| Frame  | C-Face |      |      |      |      |       |      |           |
|--------|--------|------|------|------|------|-------|------|-----------|
|        | Poles  | BA*  | AH   | AJ   | AK   | BD    | BF # | BF        |
| 215TC  | 2      | 3.72 | 3.12 | 7.25 | 8.5  | 9.00  | 4    | 1/2"-13NC |
| 215TC  | 4,6    | 3.72 | 3.12 | 7.25 | 8.5  | 9.00  | 4    | 1/2"-13NC |
| 254TC  | 2      | 4.42 | 3.75 | 7.25 | 8.5  | 10.00 | 4    | 1/2"-13NC |
| 254TC  | 4,6    | 4.42 | 3.75 | 7.25 | 8.5  | 10.00 | 4    | 1/2"-13NC |
| 256TC  | 2      | 4.42 | 3.75 | 7.25 | 8.5  | 10.00 | 4    | 1/2"-13NC |
| 256TC  | 4,6    | 4.42 | 3.75 | 7.25 | 8.5  | 10.00 | 4    | 1/2"-13NC |
| 284TC  | 4,6    | 5.29 | 4.38 | 9.00 | 10.5 | 11.25 | 4    | 1/2"-13NC |
| 284TC  | 4,6    | 5.29 | 4.38 | 9.00 | 10.5 | 11.25 | 4    | 1/2"-13NC |
| 286TC  | 4,6    | 5.29 | 4.38 | 9.00 | 10.5 | 11.25 | 4    | 1/2"-13NC |
| 286TC  | 4,6    | 5.29 | 4.38 | 9.00 | 10.5 | 11.25 | 4    | 1/2"-13NC |
| 284TSC | 2      | 5.29 | 3.00 | 9.00 | 10.5 | 11.25 | 4    | 1/2"-13NC |
| 284TSC | 4,6    | 5.29 | 3.00 | 9.00 | 10.5 | 11.25 | 4    | 1/2"-13NC |

| Frame  | D-Flange |      |      |      |      |      |      |      |
|--------|----------|------|------|------|------|------|------|------|
|        | Poles    | BA*  | AH   | AJ   | AK   | BD   | BF # | BF   |
| 254TD  | 4,6      | 4.42 | 4.00 | 12.5 | 11.0 | 14.0 | 4    | 0.81 |
| 256TD  | 2        | 4.42 | 4.00 | 12.5 | 11.0 | 14.0 | 4    | 0.81 |
| 256TD  | 4,6      | 4.42 | 4.00 | 12.5 | 11.0 | 14.0 | 4    | 0.81 |
| 284TD  | 4,6      | 5.29 | 4.62 | 12.5 | 11.0 | 14.0 | 4    | 0.81 |
| 284TD  | 4,6      | 5.29 | 4.62 | 12.5 | 11.0 | 14.0 | 4    | 0.81 |
| 286TD  | 4,6      | 5.29 | 4.62 | 12.5 | 11.0 | 14.0 | 4    | 0.81 |
| 286TD  | 4,6      | 5.29 | 4.62 | 12.5 | 11.0 | 14.0 | 4    | 0.81 |
| 284TSD | 2        | 5.29 | 3.25 | 12.5 | 11.0 | 14.0 | 4    | 0.81 |
| 284TSD | 4,6      | 5.29 | 3.25 | 12.5 | 11.0 | 14.0 | 4    | 0.81 |
| 286TSD | 2        | 5.29 | 3.25 | 12.5 | 11.0 | 14.0 | 4    | 0.81 |
| 286TSD | 4,6      | 5.29 | 3.25 | 12.5 | 11.0 | 14.0 | 4    | 0.81 |

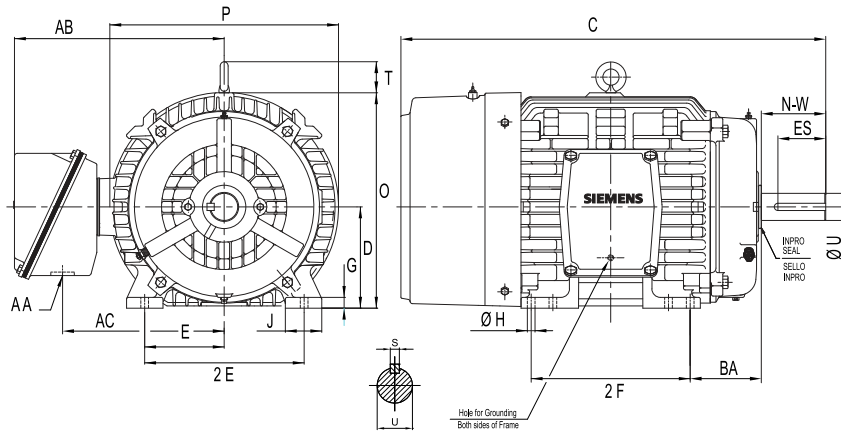
Dimensions in inches.  
Typical dimensions data, not guaranteed.

\*Not according to NEMA.

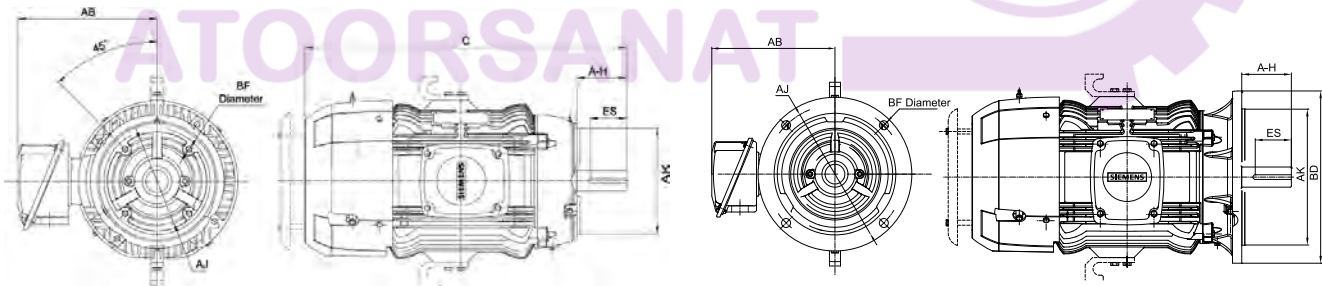
# General dimensions

## SD100 IEEE841

## Severe duty Frames 280-360



| Frame | Poles | C    | 2F    | N-W  | P    | U     | BA   | AB     | 2E   | Keyseat |       |       |       |      |
|-------|-------|------|-------|------|------|-------|------|--------|------|---------|-------|-------|-------|------|
|       |       |      |       |      |      |       |      |        |      | D       | O     | R     | S     | ES   |
| 324T  | 8     | 31.5 | 10.50 | 4.75 | 15.8 | 2.125 | 5.75 | 15.500 | 12.5 | 8.0     | 15.90 | 1.845 | 0.500 | 3.88 |
| 324T  | 4,6   | 32.1 | 10.50 | 4.69 | 17.7 | 2.125 | 5.80 | 15.990 | 12.5 | 8.0     | 16.66 | 1.845 | 0.500 | 3.88 |
| 326T  | 8     | 31.5 | 12.00 | 4.75 | 15.8 | 2.125 | 5.75 | 15.500 | 12.5 | 8.0     | 15.90 | 1.845 | 0.500 | 3.88 |
| 326T  | 4,6   | 32.1 | 12.00 | 4.69 | 17.7 | 2.125 | 5.80 | 15.990 | 12.5 | 8.0     | 16.66 | 1.845 | 0.500 | 3.88 |
| 324TS | 2     | 30.0 | 10.50 | 3.25 | 15.8 | 1.875 | 5.75 | 15.500 | 12.5 | 8.0     | 15.90 | 1.591 | 0.500 | 2.00 |
| 324TS | 4,6   | 30.6 | 10.50 | 3.25 | 17.7 | 1.875 | 5.75 | 15.990 | 12.5 | 8.0     | 16.66 | 1.591 | 0.500 | 2.00 |
| 326TS | 2     | 30.0 | 12.00 | 3.25 | 15.8 | 1.875 | 5.75 | 15.500 | 12.5 | 8.0     | 15.90 | 1.591 | 0.500 | 2.00 |
| 326TS | 4,6   | 30.6 | 12.00 | 3.25 | 17.7 | 1.875 | 5.75 | 15.990 | 12.5 | 8.0     | 16.66 | 1.591 | 0.500 | 2.00 |
| 364T  | 8     | 34.2 | 11.25 | 5.44 | 17.7 | 2.375 | 6.31 | 17.940 | 14.0 | 9.0     | 17.81 | 2.021 | 0.625 | 4.25 |
| 364T  | 4,6   | 35.5 | 11.25 | 5.40 | 19.6 | 2.375 | 6.35 | 18.570 | 14.0 | 9.0     | 18.48 | 2.021 | 0.625 | 4.25 |
| 365T  | 8     | 34.2 | 12.25 | 5.44 | 17.7 | 2.375 | 6.31 | 17.940 | 14.0 | 9.0     | 17.81 | 2.021 | 0.625 | 4.25 |



| Frame  | Pole | C-Face |      |    |      |       |      |           |
|--------|------|--------|------|----|------|-------|------|-----------|
|        |      | BA*    | AH   | AJ | AK   | BD    | BF # | BF        |
| 286TSC | 2    | 5.29   | 3.00 | 9  | 10.5 | 11.25 | 4    | 1/2"-13NC |
| 286TSC | 4,6  | 5.29   | 3.00 | 9  | 10.5 | 11.25 | 4    | 1/2"-13NC |
| 324TC  | 4,6  | 5.8    | 5.00 | 11 | 12.5 | 14.00 | 4    | 5/8"-11NC |
| 324TC  | 4,6  | 5.8    | 5.00 | 11 | 12.5 | 14.00 | 4    | 5/8"-11NC |
| 326TC  | 4,6  | 5.8    | 5.00 | 11 | 12.5 | 14.00 | 4    | 5/8"-11NC |
| 326TC  | 4,6  | 5.8    | 5.00 | 11 | 12.5 | 14.00 | 4    | 5/8"-11NC |
| 324TSC | 2    | 5.75   | 3.50 | 11 | 12.5 | 14.00 | 4    | 5/8"-11NC |
| 324TSC | 4,6  | 5.75   | 3.50 | 11 | 12.5 | 14.00 | 4    | 5/8"-11NC |
| 326TSC | 2    | 5.75   | 3.50 | 11 | 12.5 | 14.00 | 4    | 5/8"-11NC |
| 326TSC | 4,6  | 5.75   | 3.50 | 11 | 12.5 | 14.00 | 4    | 5/8"-11NC |
| 364TC  | 4,6  | 6.35   | 5.63 | 11 | 12.5 | 12.75 | 8    | 5/8"-11NC |
| 365T   | 4,6  | 6.35   | 5.63 | 11 | 12.5 | 12.75 | 8    | 5/8"-11NC |

| Frame  | Poles | D-Flange |      |    |      |      |      |      |
|--------|-------|----------|------|----|------|------|------|------|
|        |       | BA*      | AH   | AJ | AK   | BD   | BF # | BF   |
| 324TD  | 4,6   | 6.25     | 5.25 | 16 | 14.0 | 18.0 | 4    | 0.81 |
| 324TD  | 4,6   | 6.25     | 5.25 | 16 | 14.0 | 18.0 | 4    | 0.81 |
| 326TD  | 4,6   | 6.25     | 5.25 | 16 | 14.0 | 18.0 | 4    | 0.81 |
| 326TD  | 4,6   | 6.25     | 5.25 | 16 | 14.0 | 18.0 | 4    | 0.81 |
| 324TSD | 2     | 6.25     | 3.75 | 16 | 14.0 | 18.0 | 4    | 0.81 |
| 324TSD | 4,6   | 6.25     | 3.75 | 16 | 14.0 | 18.0 | 4    | 0.81 |
| 326TSD | 2     | 6.25     | 3.75 | 16 | 14.0 | 18.0 | 4    | 0.81 |
| 326TSD | 4,6   | 6.25     | 3.75 | 16 | 14.0 | 18.0 | 4    | 0.81 |
| 364TD  | 8     | 6.75     | 5.88 | 16 | 14.0 | 18.0 | 4    | 0.81 |
| 364TD  | 4,6   | 6.75     | 5.88 | 16 | 14.0 | 18.0 | 4    | 0.81 |
| 365TD  | 4,6   | 6.75     | 5.88 | 16 | 14.0 | 18.0 | 4    | 0.81 |

Dimensions in inches.  
Typical dimensions data, not guaranteed.

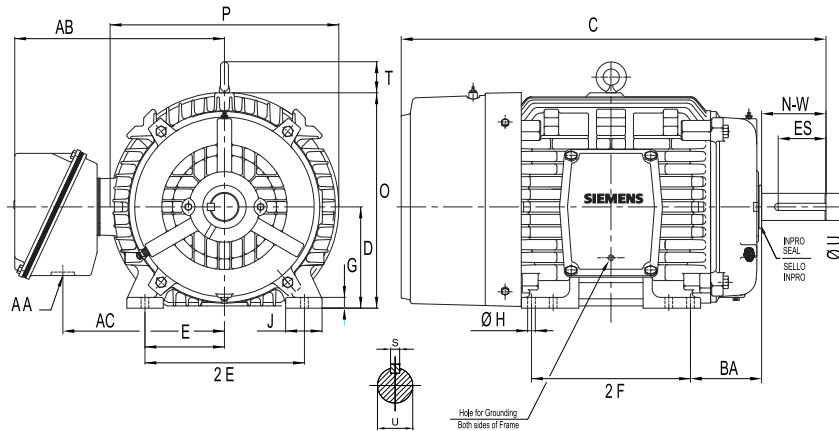
\*Not according to NEMA.



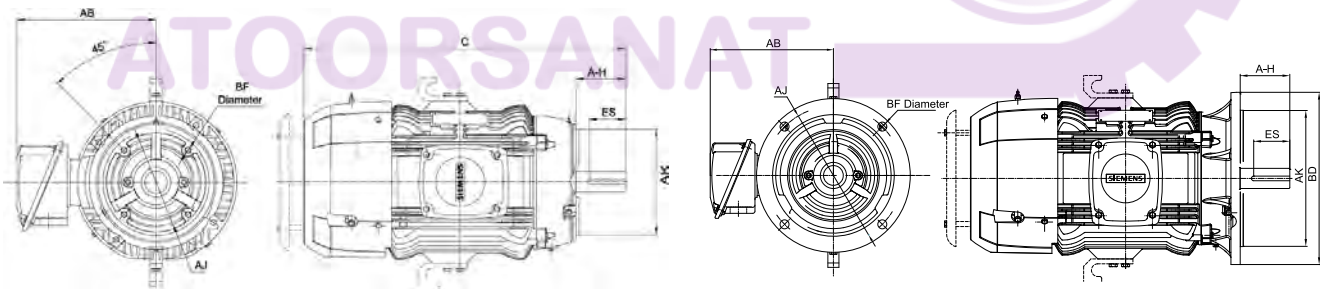
# General dimensions

## SD100 IEEE841

Severe duty  
Frames 360-440



| Frame | Poles | C    | 2F    | N-W  | P    | U     | BA   | AB     | 2E   | D    | O     | Keyseat |       |      |
|-------|-------|------|-------|------|------|-------|------|--------|------|------|-------|---------|-------|------|
|       |       |      |       |      |      |       |      |        |      |      |       | R       | S     | ES   |
| 365T  | 4,6   | 35.5 | 12.25 | 5.40 | 19.6 | 2.375 | 6.35 | 18.570 | 14.0 | 9.0  | 18.48 | 2.021   | 0.625 | 4.25 |
| 364TS | 2     | 32.1 | 11.25 | 3.31 | 17.7 | 1.875 | 6.31 | 17.940 | 14.0 | 9.0  | 17.81 | 1.591   | 0.500 | 2.00 |
| 364TS | 4,6   | 33.4 | 11.25 | 3.28 | 19.6 | 1.875 | 6.35 | 18.570 | 14.0 | 9.0  | 18.48 | 1.591   | 0.500 | 2.00 |
| 365TS | 2     | 32.1 | 12.25 | 3.31 | 17.7 | 1.875 | 6.31 | 17.940 | 14.0 | 9.0  | 17.81 | 1.591   | 0.500 | 2.00 |
| 365TS | 4,6   | 33.4 | 12.25 | 3.28 | 19.6 | 1.875 | 6.35 | 18.570 | 14.0 | 9.0  | 18.48 | 1.591   | 0.500 | 2.00 |
| 404T  | All   | 39.4 | 12.25 | 6.78 | 19.6 | 2.875 | 7.10 | 18.380 | 16.0 | 10.0 | 19.60 | 2.450   | 0.750 | 5.63 |
| 405T  | All   | 39.4 | 13.75 | 6.78 | 19.6 | 2.875 | 7.10 | 18.380 | 16.0 | 10.0 | 19.60 | 2.450   | 0.750 | 5.63 |
| 404TS | All   | 36.4 | 12.25 | 3.50 | 19.6 | 2.125 | 7.38 | 18.380 | 16.0 | 10.0 | 19.60 | 1.845   | 0.500 | 2.75 |
| 405TS | All   | 36.4 | 13.75 | 3.50 | 19.6 | 2.125 | 7.38 | 18.380 | 16.0 | 10.0 | 19.60 | 1.845   | 0.500 | 2.75 |
| 444T  | All   | 45.6 | 14.50 | 8.10 | 21.8 | 3.375 | 7.90 | 19.630 | 18.0 | 11.0 | 21.80 | 2.880   | 0.875 | 6.88 |
| 445T  | All   | 45.6 | 16.50 | 8.10 | 21.8 | 3.375 | 7.90 | 19.630 | 18.0 | 11.0 | 21.80 | 2.880   | 0.875 | 6.88 |



| Frame  | C-Face |      |      |    |      |       |      |           |
|--------|--------|------|------|----|------|-------|------|-----------|
|        | Poles  | BA*  | AH   | AJ | AK   | BD    | BF # | BF        |
| 365TC  | 4,6    | 6.35 | 5.63 | 11 | 12.5 | 12.75 | 8    | 5/8"-11NC |
| 365TC  | 4,6    | 6.35 | 5.63 | 11 | 12.5 | 12.75 | 8    | 5/8"-11NC |
| 364TSC | 2      | 6.31 | 3.50 | 11 | 12.5 | 14.00 | 8    | 5/8"-11NC |
| 364TSC | 4,6    | 6.35 | 3.50 | 11 | 12.5 | 12.75 | 8    | 5/8"-11NC |
| 365TSC | 2      | 6.31 | 3.50 | 11 | 12.5 | 14.00 | 8    | 5/8"-11NC |
| 365TSC | 4,6    | 6.35 | 3.50 | 11 | 12.5 | 12.75 | 8    | 5/8"-11NC |
| 404TC  | All    | 7.10 | 7.00 | 11 | 12.5 | 15.50 | 8    | 5/8"-11NC |
| 405TC  | All    | 7.10 | 7.00 | 11 | 12.5 | 15.50 | 8    | 5/8"-11NC |
| 404TSC | All    | 7.38 | 4.00 | 11 | 12.5 | 15.50 | 8    | 5/8"-11NC |
| 405TSC | All    | 7.38 | 4.00 | 11 | 12.5 | 15.50 | 8    | 5/8"-11NC |
| 444TC  | All    | 7.90 | 8.25 | 14 | 16.0 | 18.00 | 8    | 5/8"-11NC |
| 445TC  | All    | 7.90 | 8.25 | 14 | 16.0 | 18.00 | 8    | 5/8"-11NC |

| Frame  | D-Flange |      |      |    |      |      |      |      |
|--------|----------|------|------|----|------|------|------|------|
|        | Poles    | BA*  | AH   | AJ | AK   | BD   | BF # | BF   |
| 365TD  | 4,6      | 6.75 | 5.88 | 16 | 14.0 | 18.0 | 4    | 0.81 |
| 364TSD | 2        | 6.75 | 3.75 | 16 | 14.0 | 18.0 | 4    | 0.81 |
| 364TSD | 4,6      | 6.75 | 3.75 | 16 | 14.0 | 18.0 | 4    | 0.81 |
| 365TSD | 2        | 6.75 | 3.75 | 16 | 14.0 | 18.0 | 4    | 0.81 |
| 365TSD | 4,6      | 6.75 | 3.75 | 16 | 14.0 | 18.0 | 4    | 0.81 |
| 404TD  | All      | 7.07 | 7.25 | 20 | 18.0 | 22.0 | 8    | 0.81 |
| 405TD  | All      | 7.07 | 7.25 | 20 | 18.0 | 22.0 | 8    | 0.81 |
| 404TSD | All      | 7.38 | 4.25 | 20 | 18.0 | 22.0 | 8    | 0.81 |
| 405TSD | All      | 7.38 | 4.25 | 20 | 18.0 | 22.0 | 8    | 0.81 |
| 444TD  | All      | 8.38 | 8.50 | 20 | 18.0 | 22.0 | 8    | 0.81 |
| 445TD  | All      | 8.38 | 8.50 | 20 | 18.0 | 22.0 | 8    | 0.81 |

Dimensions in inches.  
Typical dimensions data, not guaranteed.

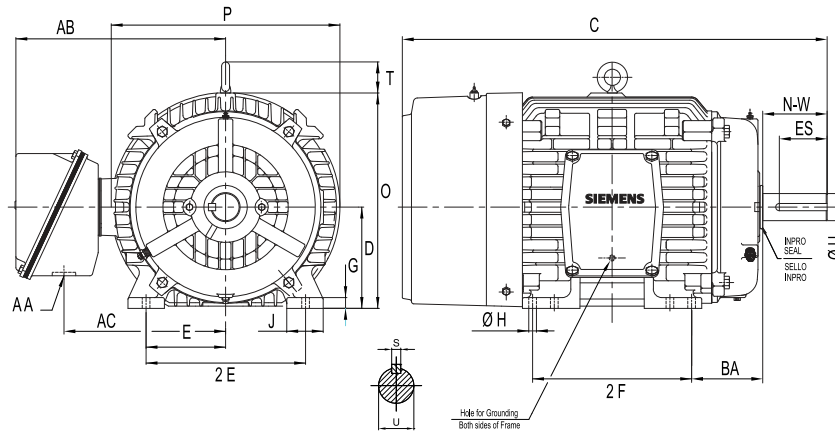
\*Not according to NEMA.

Introduction  
General Purpose Motors  
Severe Duty Motors  
Hazardous Duty Motors  
Definite Purpose Motors  
Special Features Detail  
Options Selection and Pricing  
Typical Performance Data  
General Dimensions  
Part Number Index

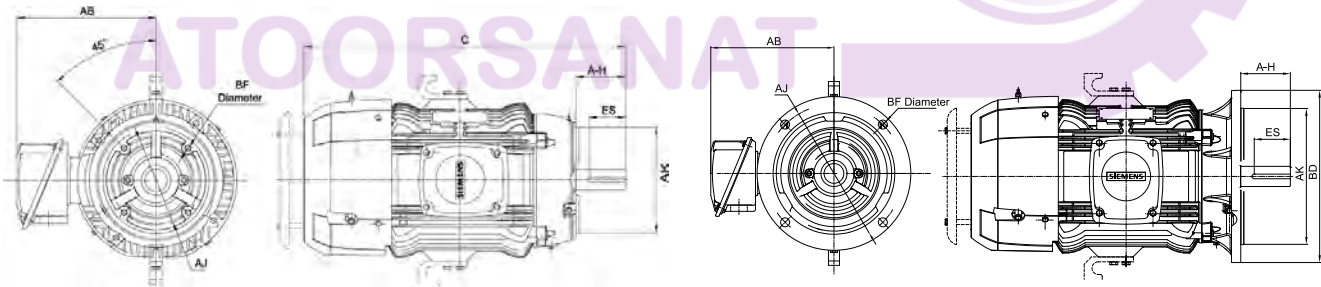
# General dimensions

## SD100 IEEE841

## Severe duty Frames 440-S440



| Frame  | Poles | C    | 2F    | N-W  | P    | U     | BA   | AB     | 2E   | D    | O     | Keyseat |       |      |
|--------|-------|------|-------|------|------|-------|------|--------|------|------|-------|---------|-------|------|
|        |       |      |       |      |      |       |      |        |      |      |       | R       | S     | ES   |
| 444TS  |       | 41.8 | 14.50 | 4.00 | 21.8 | 2.375 | 8.25 | 19.630 | 18.0 | 11.0 | 21.80 | 2.021   | 0.625 | 3.05 |
| 445TS  |       | 41.8 | 16.50 | 4.00 | 21.8 | 2.375 | 8.25 | 19.630 | 18.0 | 11.0 | 21.80 | 2.021   | 0.625 | 3.05 |
| 447T   |       | 49.0 | 20.00 | 8.03 | 21.8 | 3.375 | 7.96 | 19.630 | 18.0 | 11.0 | 22.00 | 2.880   | 0.875 | 6.88 |
| 447TS  |       | 45.3 | 20.00 | 4.00 | 21.8 | 2.375 | 8.25 | 19.630 | 18.0 | 11.0 | 22.00 | 2.021   | 0.625 | 3.05 |
| 449T   |       | 54.0 | 25.00 | 8.03 | 21.8 | 3.375 | 7.96 | 22.000 | 18.0 | 11.0 | 22.00 | 2.880   | 0.875 | 6.88 |
| 449TS  |       | 50.3 | 25.00 | 4.00 | 21.8 | 2.375 | 8.25 | 22.000 | 18.0 | 11.0 | 22.00 | 2.021   | 0.625 | 3.05 |
| S449LS |       | 63.6 | 25.00 | 8.67 | 24.6 | 3.625 | 7.95 | 23.000 | 18.0 | 11.0 | 23.30 | 3.134   | 0.875 | 7.50 |
| S449LS | 4 1)  | 66.7 | 25.00 | 8.67 | 24.6 | 3.625 | 7.95 | 23.000 | 18.0 | 11.0 | 23.30 | 3.134   | 0.875 | 7.50 |
| S449SS |       | 59.8 | 25.00 | 4.59 | 24.6 | 2.625 | 8.16 | 23.000 | 18.0 | 11.0 | 23.30 | 2.275   | 0.625 | 3.50 |
| S449SS | 2 1)  | 63.2 | 25.00 | 4.59 | 24.6 | 2.625 | 8.16 | 23.000 | 18.0 | 11.0 | 23.30 | 2.275   | 0.625 | 3.50 |



| Frame  | Poles | C-Face |      |    |      |      |      |           |
|--------|-------|--------|------|----|------|------|------|-----------|
|        |       | BA*    | AH   | AJ | AK   | BD   | BF # | BF        |
| 444TSC |       | 8.25   | 4.50 | 14 | 16.0 | 18.0 | 8    | 5/8"-11NC |
| 445TSC |       | 8.25   | 4.50 | 14 | 16.0 | 18.0 | 8    | 5/8"-11NC |
| 447TC  |       | 7.96   | 8.25 | 14 | 16.0 | 18.0 | 8    | 5/8"-11NC |
| 447TSC |       | 8.25   | 4.50 | 14 | 16.0 | 18.0 | 8    | 5/8"-11NC |
| 449TC  |       | 7.96   | 8.25 | 14 | 16.0 | 18.0 | 8    | 5/8"-11NC |
| 449TSC |       | 8.25   | 4.50 | 14 | 16.0 | 18.0 | 8    | 5/8"-11NC |
| S449LS |       | 7.95   | 8.25 | 14 | 16.0 | 18.0 | 8    | 5/8"-11NC |
| S449LS | 4 2)  | 7.95   | 8.25 | 14 | 16.0 | 18.0 | 8    | 5/8"-11NC |
| S449SS |       | 8.16   | 4.50 | 14 | 16.0 | 18.0 | 8    | 5/8"-11NC |
| S449SS | 2 1)  | 8.16   | 4.50 | 14 | 16.0 | 18.0 | 8    | 5/8"-11NC |

| Frame  | Poles | D-Flange |      |    |      |      |      |      |
|--------|-------|----------|------|----|------|------|------|------|
|        |       | BA*      | AH   | AJ | AK   | BD   | BF # | BF   |
| 444TSD |       | 8.38     | 4.75 | 20 | 18.0 | 22.0 | 8    | 0.81 |
| 445TSD |       | 8.38     | 4.75 | 20 | 18.0 | 22.0 | 8    | 0.81 |
| 447TD  |       | 8.38     | 8.5  | 20 | 18.0 | 22.0 | 8    | 0.81 |
| 447TSD |       | 8.38     | 4.75 | 20 | 18.0 | 22.0 | 8    | 0.81 |
| 449TD  |       | 8.38     | 8.5  | 20 | 18.0 | 22.0 | 8    | 0.81 |
| 449TSD |       | 8.38     | 4.75 | 20 | 18.0 | 22.0 | 8    | 0.81 |
| S449LS |       | 7.95     | 7.95 | 20 | 18.0 | 22.0 | 8    | 0.81 |
| S449LS | 2 1)  | 7.95     | 7.95 | 20 | 18.0 | 22.0 | 8    | 0.81 |
| S449SS |       | 8.16     | 8.16 | 20 | 18.0 | 22.0 | 8    | 0.81 |
| S449SS | 4 2)  | 8.16     | 8.16 | 20 | 18.0 | 22.0 | 8    | 0.81 |

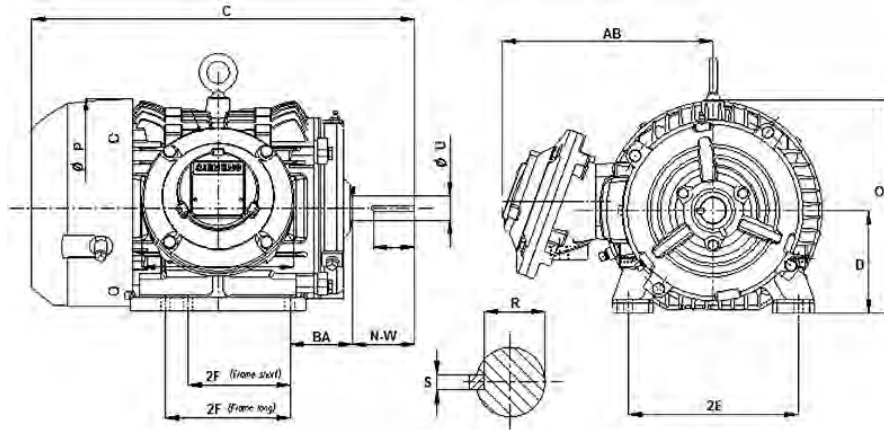
1) Only for 400HP.  
2) Only for 300, 350 and 400HP.  
Dimensions in inches.

Typical dimensions data, not guaranteed.  
\* Not according to NEMA.

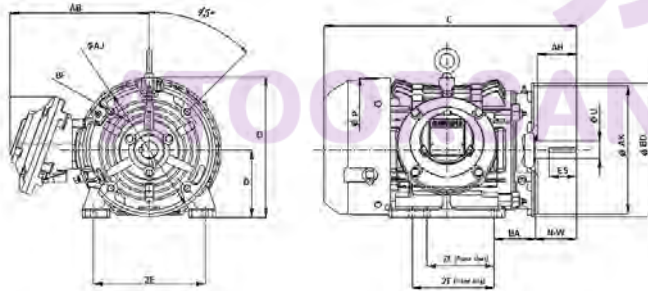
# General dimensions

## XP100 / XP100 ID1

## Explosion proof Frames 140-250



| Frame | Poles | C     | 2F    | N-W  | P    | U     | BA   | AB    | 2E   | D    | O     | Keyseat |       |      |
|-------|-------|-------|-------|------|------|-------|------|-------|------|------|-------|---------|-------|------|
|       |       |       |       |      |      |       |      |       |      |      |       | R       | S     | ES   |
| 143T  | All   | 15.27 | 4.00  | 2.25 | 8.2  | 0.875 | 2.25 | 8.75  | 5.5  | 3.50 | 9.19  | 0.771   | 0.188 | 1.42 |
| 145T  | All   | 15.27 | 5.00  | 2.25 | 8.2  | 0.875 | 2.25 | 8.75  | 5.5  | 3.50 | 9.19  | 0.771   | 0.188 | 1.42 |
| 182T  | All   | 16.87 | 4.50  | 2.75 | 9.6  | 1.125 | 2.75 | 9.30  | 7.5  | 4.50 | 9.34  | 0.990   | 0.250 | 1.78 |
| 184T  | All   | 16.87 | 5.50  | 2.75 | 9.6  | 1.125 | 2.75 | 9.30  | 7.5  | 4.50 | 9.34  | 0.986   | 0.250 | 1.78 |
| 213T  | All   | 19.97 | 5.50  | 3.38 | 10.7 | 1.375 | 3.50 | 10.54 | 8.5  | 5.25 | 10.68 | 1.201   | 0.312 | 2.44 |
| 215T  | All   | 19.97 | 7.00  | 3.38 | 10.7 | 1.375 | 3.50 | 10.54 | 8.5  | 5.25 | 10.68 | 1.201   | 0.312 | 2.44 |
| 254T  | All   | 25.77 | 8.25  | 4.00 | 12.9 | 1.625 | 4.25 | 11.52 | 10.0 | 6.25 | 12.67 | 1.416   | 0.375 | 2.91 |
| 256T  | All   | 25.77 | 10.00 | 4.00 | 12.9 | 1.625 | 4.25 | 11.52 | 10.0 | 6.25 | 12.67 | 1.416   | 0.375 | 2.91 |



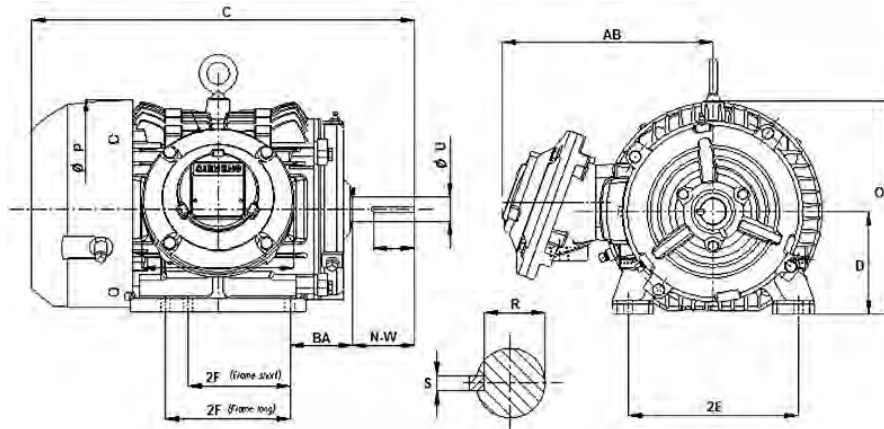
| Frame | Poles | C-Face |      |       |       |       |      |          |
|-------|-------|--------|------|-------|-------|-------|------|----------|
|       |       | BA*    | AH   | AJ    | AK    | BD    | BF # | BF       |
| 143TC | All   | 2.25   | 2.12 | 4.500 | 5.875 | 6.600 | 4    | 3/8-16NC |
| 145TC | All   | 2.25   | 2.12 | 4.500 | 5.875 | 6.600 | 4    | 3/8-16NC |
| 182TC | All   | 2.75   | 2.62 | 8.500 | 7.250 | 8.900 | 4    | 1/2-13NC |
| 184TC | All   | 2.75   | 2.62 | 8.500 | 7.250 | 8.900 | 4    | 1/2-13NC |
| 213TC | All   | 3.50   | 3.12 | 8.500 | 7.250 | 8.900 | 4    | 1/2-13NC |
| 215TC | All   | 3.50   | 3.12 | 8.500 | 7.250 | 8.900 | 4    | 1/2-13NC |
| 254TC | All   | 4.23   | 3.75 | 8.500 | 7.250 | 9.290 | 4    | 1/2-13NC |
| 256TC | All   | 4.25   | 3.75 | 8.500 | 7.250 | 9.290 | 4    | 1/2-13NC |

Dimensions in inches.  
Typical dimensions data, not guaranteed.  
\* Not according to NEMA.

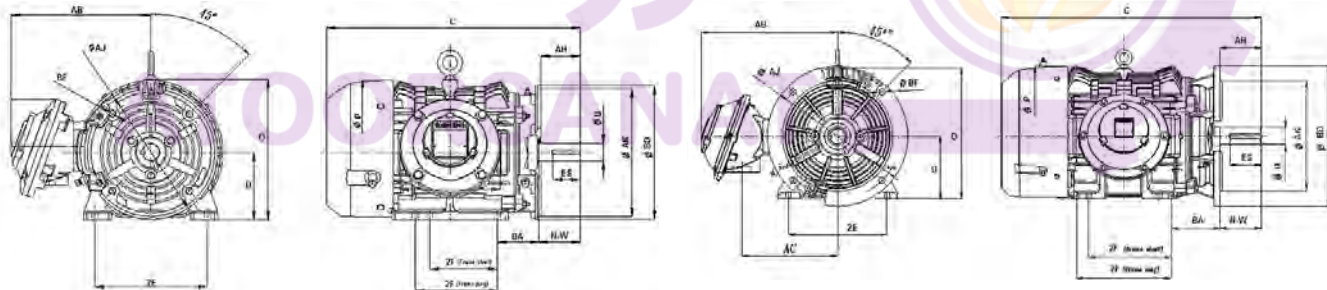
# General dimensions

## XP100 / XP100 ID1

## Explosion proof Frames 280-320



| Frame | Poles | C     | 2F   | N-W  | P    | U     | BA   | AB    | 2E   | D | O     | Keyseat |       |      |
|-------|-------|-------|------|------|------|-------|------|-------|------|---|-------|---------|-------|------|
|       |       |       |      |      |      |       |      |       |      |   |       | R       | S     | ES   |
| 284T  | All   | 29.40 | 9.50 | 4.62 | 15.8 | 1.875 | 4.75 | 12.85 | 11.0 | 7 | 14.85 | 1.590   | 0.500 | 3.28 |
| 286T  | All   | 29.40 | 11.0 | 4.62 | 15.8 | 1.875 | 4.75 | 12.85 | 11.0 | 7 | 14.85 | 1.590   | 0.500 | 3.28 |
| 284TS | All   | 28.03 | 9.50 | 3.25 | 15.8 | 1.625 | 4.75 | 12.85 | 11.0 | 7 | 14.85 | 1.420   | 0.375 | 1.91 |
| 286TS | All   | 28.03 | 11.0 | 3.25 | 15.8 | 1.625 | 4.75 | 12.85 | 11.0 | 7 | 14.85 | 1.420   | 0.375 | 1.91 |
| 324T  | All   | 32.08 | 10.5 | 5.25 | 17.7 | 2.120 | 5.25 | 17.35 | 12.5 | 8 | 16.69 | 1.845   | 0.500 | 3.91 |
| 326T  | All   | 32.08 | 12.0 | 5.25 | 17.7 | 2.120 | 5.25 | 17.35 | 12.5 | 8 | 16.69 | 1.845   | 0.500 | 3.91 |
| 324TS | All   | 30.58 | 10.5 | 3.75 | 17.7 | 1.870 | 5.25 | 17.35 | 12.5 | 8 | 16.69 | 1.591   | 0.500 | 2.03 |
| 326TS | All   | 30.58 | 12.0 | 3.75 | 17.7 | 1.870 | 5.25 | 17.35 | 12.5 | 8 | 16.69 | 1.591   | 0.500 | 2.03 |



| Frame | Poles | C-Face |      |    |      |       |      |           |
|-------|-------|--------|------|----|------|-------|------|-----------|
|       |       | BA     | AH   | AJ | AK   | BD    | BF # | BF        |
| 284T  | All   | 4.75   | 4.38 | 9  | 10.5 | 11.25 | 4    | 1/2"-13NC |
| 286T  | All   | 4.75   | 4.38 | 9  | 10.5 | 11.25 | 4    | 1/2"-13NC |
| 284TS | All   | 4.75   | 3.00 | 9  | 10.5 | 11.25 | 4    | 1/2"-13NC |
| 286TS | All   | 4.75   | 3.00 | 9  | 10.5 | 11.25 | 4    | 1/2"-13NC |
| 324T  | All   | 5.25   | 5.00 | 11 | 12.5 | 14.00 | 4    | 5/8"-11NC |
| 326T  | All   | 5.25   | 5.00 | 11 | 12.5 | 14.00 | 4    | 5/8"-11NC |
| 324TS | All   | 5.25   | 3.50 | 11 | 12.5 | 14.00 | 4    | 5/8"-11NC |
| 326TS | All   | 5.25   | 3.50 | 11 | 12.5 | 14.00 | 4    | 5/8"-11NC |

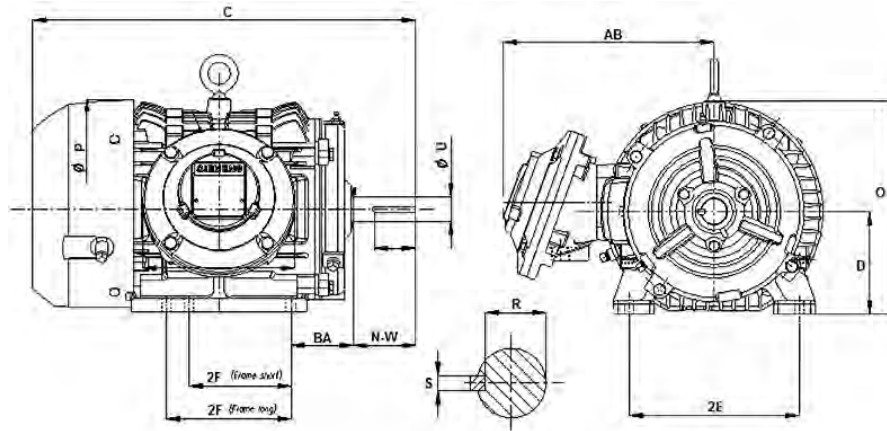
| Frame  | Poles | D-Flange |      |      |      |       |      |      |
|--------|-------|----------|------|------|------|-------|------|------|
|        |       | BA       | AH   | AJ   | AK   | BD    | BF # | BF   |
| 284TD  | All   | 4.75     | 4.38 | 12.5 | 11.0 | 13.88 | 4    | 0.81 |
| 286TD  | All   | 4.75     | 4.38 | 12.5 | 11.0 | 13.88 | 4    | 0.81 |
| 284TSD | All   | 4.75     | 3.00 | 12.5 | 11.0 | 13.88 | 4    | 0.81 |
| 286TSD | All   | 4.75     | 3.00 | 12.5 | 11.0 | 13.88 | 4    | 0.81 |
| 324TD  | All   | 5.25     | 5.00 | 16.0 | 14.0 | 17.87 | 4    | 0.81 |
| 326TD  | All   | 5.25     | 5.00 | 16.0 | 14.0 | 17.87 | 4    | 0.81 |
| 324TSD | All   | 5.25     | 3.50 | 16.0 | 14.0 | 17.87 | 4    | 0.81 |
| 326TSD | All   | 5.25     | 3.50 | 16.0 | 14.0 | 17.87 | 4    | 0.81 |

Dimensions in inches.  
Typical dimensions data, not guaranteed.

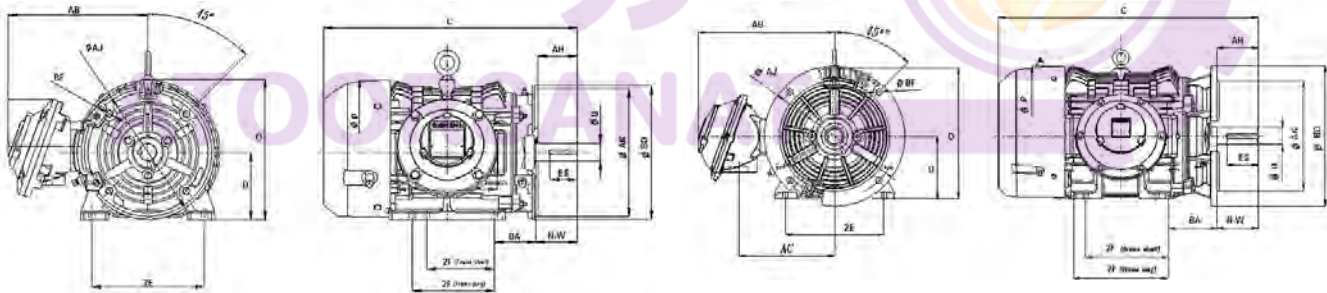
# General dimensions

## XP100 / XP100 ID1

## Explosion proof Frames 360-400



| Frame | Poles | C     | 2F    | N-W  | P    | U     | BA   | AB    | 2E | D  | O     | Keyseat |       |      |
|-------|-------|-------|-------|------|------|-------|------|-------|----|----|-------|---------|-------|------|
|       |       |       |       |      |      |       |      |       |    |    |       | R       | S     | ES   |
| 364T  | All   | 35.28 | 11.25 | 5.87 | 19.6 | 2.370 | 5.88 | 18.18 | 14 | 9  | 18.65 | 2.020   | 0.625 | 4.28 |
| 365T  | All   | 35.28 | 12.25 | 5.87 | 19.6 | 2.370 | 5.88 | 18.18 | 14 | 9  | 18.65 | 2.020   | 0.625 | 4.28 |
| 364TS | All   | 33.16 | 11.25 | 3.75 | 19.6 | 1.875 | 5.88 | 18.18 | 14 | 9  | 18.65 | 1.590   | 0.500 | 2.03 |
| 365TS | All   | 33.16 | 12.25 | 3.75 | 19.6 | 1.875 | 5.88 | 18.18 | 14 | 9  | 18.65 | 1.590   | 0.500 | 2.03 |
| 404T  | All   | 39.52 | 12.25 | 7.25 | 19.6 | 2.870 | 6.62 | 20.34 | 16 | 10 | 19.61 | 2.450   | 0.750 | 5.65 |
| 405T  | All   | 39.52 | 13.75 | 7.25 | 19.6 | 2.870 | 6.62 | 20.34 | 16 | 10 | 19.61 | 2.450   | 0.750 | 5.65 |
| 404TS | All   | 36.52 | 12.25 | 4.25 | 19.6 | 2.120 | 6.62 | 20.34 | 16 | 10 | 19.61 | 1.845   | 0.500 | 2.78 |
| 405TS | All   | 36.52 | 13.75 | 4.25 | 19.6 | 2.120 | 6.62 | 20.34 | 16 | 10 | 19.61 | 1.845   | 0.500 | 2.78 |



| Frame  | Poles | C-Face |      |    |      |       |      |           |
|--------|-------|--------|------|----|------|-------|------|-----------|
|        |       | BA*    | AH   | AJ | AK   | BD    | BF # | BF        |
| 364TC  | All   | 6.62   | 5.62 | 11 | 12.5 | 14.00 | 8    | 5/8"-11NC |
| 365TC  | All   | 6.62   | 5.62 | 11 | 12.5 | 14.00 | 8    | 5/8"-11NC |
| 364TSC | All   | 6.62   | 3.50 | 11 | 12.5 | 14.00 | 8    | 5/8"-11NC |
| 365TSC | All   | 6.62   | 3.50 | 11 | 12.5 | 14.00 | 8    | 5/8"-11NC |
| 404TC  | All   | 6.62   | 7.00 | 11 | 12.5 | 15.50 | 8    | 5/8"-11NC |
| 405TC  | All   | 6.62   | 7.00 | 11 | 12.5 | 15.50 | 8    | 5/8"-11NC |
| 404TSC | All   | 6.62   | 4.00 | 11 | 12.5 | 15.50 | 8    | 5/8"-11NC |
| 405TSC | All   | 6.62   | 4.00 | 11 | 12.5 | 15.50 | 8    | 5/8"-11NC |

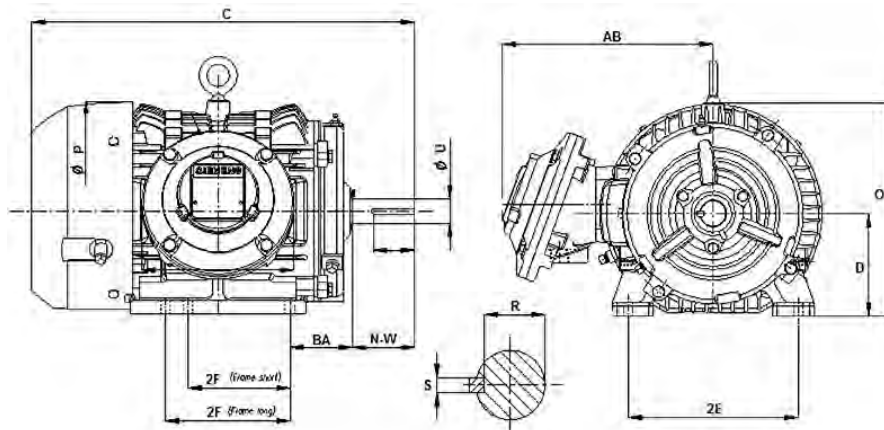
| Frame  | Poles | D-Flange |      |      |      |      |      |      |
|--------|-------|----------|------|------|------|------|------|------|
|        |       | BA*      | AH   | AJ   | AK   | BD   | BF # | BF   |
| 364TD  | All   | 6.62     | 5.62 | 16.0 | 14.0 | 18.0 | 4    | 0.81 |
| 365TD  | All   | 6.62     | 5.62 | 16.0 | 14.0 | 18.0 | 4    | 0.81 |
| 364TSD | All   | 6.62     | 3.50 | 16.0 | 14.0 | 18.0 | 4    | 0.81 |
| 365TSD | All   | 6.62     | 3.50 | 16.0 | 14.0 | 18.0 | 4    | 0.81 |
| 404TD  | All   | 6.62     | 7.00 | 16.0 | 14.0 | 22.0 | 8    | 0.81 |
| 405TD  | All   | 6.62     | 7.00 | 16.0 | 14.0 | 22.0 | 8    | 0.81 |
| 404TSD | All   | 6.62     | 4.00 | 16.0 | 14.0 | 22.0 | 8    | 0.81 |
| 405TSD | All   | 6.62     | 4.00 | 16.0 | 14.0 | 22.0 | 8    | 0.81 |

Dimensions in inches.  
Typical dimensions data, not guaranteed.  
\* Not according to NEMA.

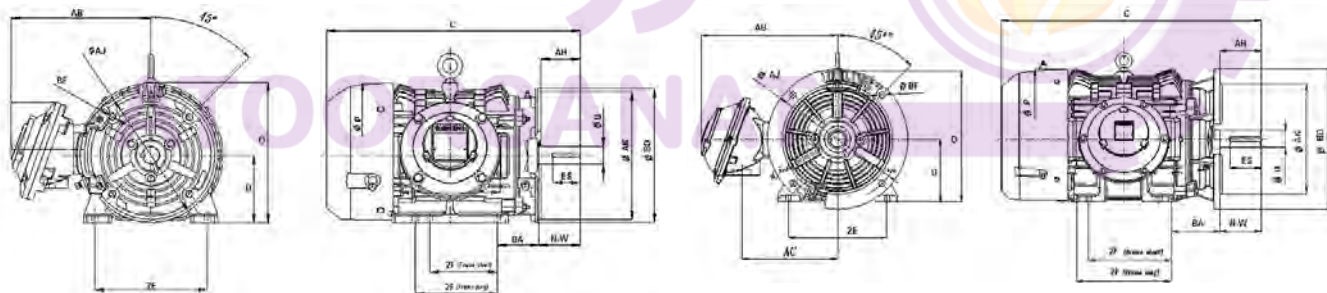
# General dimensions

## XP100 / XP100 ID1

## Explosion proof Frames 440



| Frame | Poles | C     | 2F   | N-W  | P    | U    | BA  | AB    | 2E | D  | O     | Keyseat |       |       |
|-------|-------|-------|------|------|------|------|-----|-------|----|----|-------|---------|-------|-------|
|       |       |       |      |      |      |      |     |       |    |    |       | R       | S     | ES    |
| 444T  | All   | 45.58 | 14.5 | 8.50 | 21.7 | 3.37 | 7.5 | 21.59 | 18 | 11 | 21.98 | 2.880   | 0.875 | 6.910 |
| 445T  | All   | 45.58 | 16.5 | 8.50 | 21.7 | 3.37 | 7.5 | 21.59 | 18 | 11 | 21.98 | 2.880   | 0.875 | 6.910 |
| 444TS | All   | 41.83 | 14.5 | 4.75 | 21.7 | 2.37 | 7.5 | 21.59 | 18 | 11 | 21.98 | 2.020   | 0.625 | 3.030 |
| 445TS | All   | 41.83 | 16.5 | 4.75 | 21.7 | 2.37 | 7.5 | 21.59 | 18 | 11 | 21.98 | 2.021   | 0.625 | 3.030 |
| 447T  | All   | 49.08 | 20.0 | 8.50 | 21.7 | 3.37 | 7.5 | 21.59 | 18 | 11 | 21.98 | 2.880   | 0.875 | 6.910 |
| 447TS | All   | 45.33 | 20.0 | 4.75 | 21.7 | 2.37 | 7.5 | 21.59 | 18 | 11 | 21.98 | 2.021   | 0.625 | 3.030 |
| 449T  | All   | 54.08 | 25.0 | 8.50 | 21.7 | 3.37 | 7.5 | 23.46 | 18 | 11 | 21.98 | 2.880   | 0.875 | 6.912 |
| 449TS | All   | 50.33 | 25.0 | 4.75 | 21.7 | 2.37 | 7.5 | 23.46 | 18 | 11 | 21.98 | 2.021   | 0.875 | 3.030 |



| Frame  | Poles | C-Face |      |    |      |      |      |           |
|--------|-------|--------|------|----|------|------|------|-----------|
|        |       | BA     | AH   | AJ | AK   | BD   | BF # | BF        |
| 444TC  | All   | 7.5    | 8.25 | 14 | 16.0 | 18.0 | 8    | 5/8"-11NC |
| 445TC  | All   | 7.5    | 8.25 | 14 | 16.0 | 18.0 | 8    | 5/8"-11NC |
| 444TSC | All   | 7.5    | 4.50 | 14 | 16.0 | 18.0 | 8    | 5/8"-11NC |
| 445TSC | All   | 7.5    | 4.50 | 14 | 16.0 | 18.0 | 8    | 5/8"-11NC |
| 447TC  | All   | 7.5    | 8.25 | 14 | 16.0 | 18.0 | 8    | 5/8"-11NC |
| 447TSC | All   | 7.5    | 4.50 | 14 | 16.0 | 18.0 | 8    | 5/8"-11NC |
| 449TC  | All   | 7.5    | 8.25 | 14 | 16.0 | 18.0 | 8    | 5/8"-11NC |
| 449TSC | All   | 7.5    | 4.50 | 14 | 16.0 | 18.0 | 8    | 5/8"-11NC |

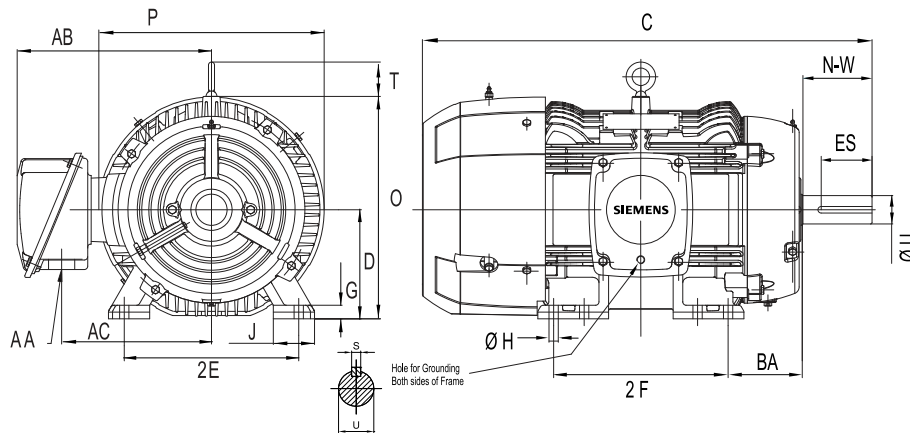
| Frame  | Poles | D-Flange |      |      |      |      |      |      |
|--------|-------|----------|------|------|------|------|------|------|
|        |       | BA       | AH   | AJ   | AK   | BD   | BF # | BF   |
| 444TD  | All   | 7.5      | 8.25 | 14.0 | 18.0 | 22.0 | 8    | 0.81 |
| 445TD  | All   | 7.5      | 8.25 | 14.0 | 18.0 | 22.0 | 8    | 0.81 |
| 444TSD | All   | 7.5      | 4.50 | 14.0 | 18.0 | 22.0 | 8    | 0.81 |
| 445TSD | All   | 7.5      | 4.50 | 14.0 | 18.0 | 22.0 | 8    | 0.81 |
| 447TD  | All   | 7.5      | 8.25 | 14.0 | 18.0 | 22.0 | 8    | 0.81 |
| 447TSD | All   | 7.5      | 4.50 | 14.0 | 18.0 | 22.0 | 8    | 0.81 |
| 449TD  | All   | 7.5      | 8.25 | 14.0 | 18.0 | 22.0 | 8    | 0.81 |
| 449TSD | All   | 7.5      | 4.50 | 14.0 | 18.0 | 22.0 | 8    | 0.81 |

Dimensions in inches.  
Typical dimensions data, not guaranteed.

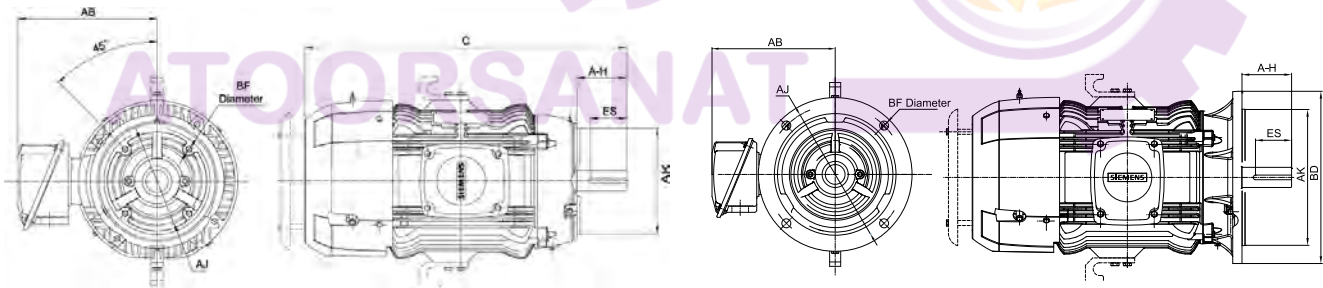
# General dimensions

## SD10 MS

Definite purpose  
Frames 140-250



| Frame | Poles | C     | 2F   | N-W  | P    | U     | BA   | AB   | 2E   | D    | O     | Keyseat |       |      |
|-------|-------|-------|------|------|------|-------|------|------|------|------|-------|---------|-------|------|
|       |       |       |      |      |      |       |      |      |      |      |       | R       | S     | ES   |
| 143T  | All   | 14.37 | 4.0  | 2.25 | 7.6  | 0.875 | 2.25 | 7.00 | 5.5  | 3.50 | 7.28  | 0.771   | 0.188 | 1.41 |
| 145T  | All   | 14.37 | 5.0  | 2.25 | 7.6  | 0.875 | 2.25 | 7.00 | 5.5  | 3.50 | 7.28  | 0.771   | 0.188 | 1.41 |
| 182T  | All   | 16.68 | 4.5  | 2.75 | 8.7  | 1.125 | 2.75 | 6.94 | 7.5  | 4.50 | 8.87  | 0.986   | 0.250 | 1.81 |
| 184T  | All   | 16.68 | 5.5  | 2.75 | 8.7  | 1.125 | 2.75 | 6.94 | 7.5  | 4.50 | 8.87  | 0.986   | 0.250 | 1.81 |
| 213T  | All   | 20.65 | 5.5  | 3.38 | 10.3 | 1.375 | 3.5  | 8.27 | 8.5  | 5.25 | 10.41 | 1.201   | 0.312 | 2.44 |
| 215T  | All   | 20.65 | 7.0  | 3.38 | 10.3 | 1.375 | 3.5  | 8.27 | 8.5  | 5.25 | 10.41 | 1.201   | 0.312 | 2.44 |
| 254T  | All   | 26.16 | 8.25 | 4.00 | 12.4 | 1.625 | 4.25 | 9.35 | 10.0 | 6.25 | 12.43 | 1.416   | 0.375 | 2.91 |
| 256T  | All   | 26.16 | 10.0 | 4.00 | 12.4 | 1.625 | 4.25 | 9.35 | 10.0 | 6.25 | 12.43 | 1.416   | 0.375 | 2.91 |



| Frame | Poles | C-Face |      |       |       |      |      |           |
|-------|-------|--------|------|-------|-------|------|------|-----------|
|       |       | BA*    | AH   | AJ    | AK    | BD   | BF # | BF        |
| 143TC | All   | 2.25   | 2.12 | 5.875 | 4.5   | 6.60 | 4    | 3/8"-16NC |
| 145TC | All   | 2.25   | 2.12 | 5.875 | 4.5   | 6.60 | 4    | 3/8"-16NC |
| 182TC | All   | 2.75   | 2.62 | 7.250 | 8.5 * | 8.90 | 4    | 1/2"-13NC |
| 184TC | All   | 2.75   | 2.62 | 7.250 | 8.5 * | 8.90 | 4    | 1/2"-13NC |
| 213TC | All   | 3.50   | 3.12 | 7.250 | 8.5   | 8.90 | 4    | 1/2"-13NC |
| 215TC | All   | 3.50   | 3.12 | 7.250 | 8.5   | 8.90 | 4    | 1/2"-13NC |
| 254TC | All   | 4.25   | 3.75 | 7.250 | 8.5   | 9.30 | 4    | 1/2"-13NC |
| 256TC | All   | 4.25   | 3.75 | 7.250 | 8.5   | 9.30 | 4    | 1/2"-13NC |

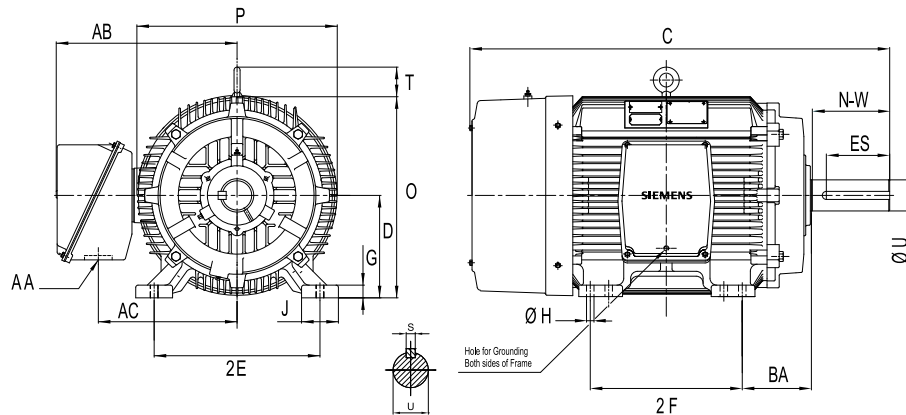
| Frame | Poles | D-Flange |      |      |      |       |      |      |
|-------|-------|----------|------|------|------|-------|------|------|
|       |       | BA*      | AH   | AJ   | AK   | BD    | BF # | BF   |
| 143TD | All   | 2.25     | 2.25 | 10   | 9.0  | 10.90 | 4    | 0.53 |
| 145TD | All   | 2.25     | 2.25 | 10   | 9.0  | 10.90 | 4    | 0.53 |
| 182TD | All   | 2.75     | 2.75 | 10   | 9.0  | 11.00 | 4    | 0.53 |
| 184TD | All   | 2.75     | 2.75 | 10   | 9.0  | 11.00 | 4    | 0.53 |
| 213TD | All   | 3.50     | 3.38 | 10   | 9.0  | 10.90 | 4    | 0.53 |
| 215TD | All   | 3.50     | 3.38 | 10   | 9.0  | 10.90 | 4    | 0.53 |
| 254TD | All   | 4.25     | 4.00 | 12.5 | 11.0 | 13.90 | 4    | 0.81 |
| 256TD | All   | 4.25     | 4.00 | 12.5 | 11.0 | 13.90 | 4    | 0.81 |

Dimensions in inches.  
Typical dimensions data, not guaranteed.  
\* Not according to NEMA.

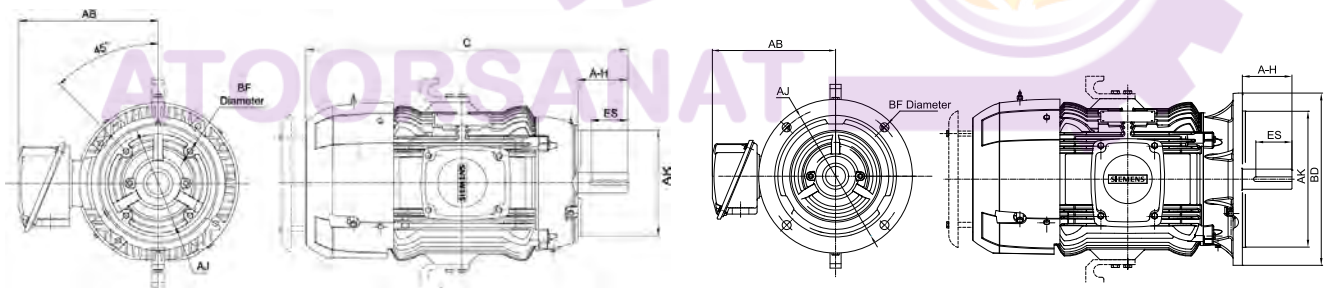
# General dimensions

## SD10 MS

## Definite purpose Frames 280-320



| Frame | Poles | C    | 2F    | N-W  | P    | U     | AB    | BA   | 2E   | D   | O     | Keyseat |       |      |
|-------|-------|------|-------|------|------|-------|-------|------|------|-----|-------|---------|-------|------|
|       |       |      |       |      |      |       |       |      |      |     |       | R       | S     | ES   |
| 284T  | All   | 27.4 | 9.50  | 4.63 | 15.5 | 1.875 | 13.40 | 4.75 | 11.0 | 7.0 | 14.19 | 1.590   | 0.500 | 3.25 |
| 286T  | All   | 28.9 | 11.00 | 4.63 | 15.5 | 1.875 | 13.40 | 4.75 | 11.0 | 7.0 | 14.19 | 1.590   | 0.500 | 3.25 |
| 284TS | All   | 26.0 | 9.50  | 3.25 | 15.5 | 1.625 | 13.40 | 4.75 | 11.0 | 7.0 | 14.19 | 1.420   | 0.375 | 1.88 |
| 286TS | All   | 27.5 | 11.00 | 3.25 | 15.5 | 1.625 | 13.40 | 4.75 | 11.0 | 7.0 | 14.19 | 1.420   | 0.375 | 1.88 |
| 324T  | All   | 32.0 | 10.50 | 5.25 | 17.1 | 2.125 | 15.75 | 5.25 | 12.5 | 8.0 | 15.94 | 1.850   | 0.500 | 3.88 |
| 326T  | All   | 32.0 | 12.00 | 5.25 | 17.1 | 2.125 | 15.75 | 5.25 | 12.5 | 8.0 | 15.94 | 1.850   | 0.500 | 3.88 |
| 324TS | All   | 30.0 | 10.50 | 3.75 | 17.1 | 1.875 | 15.75 | 5.25 | 12.5 | 8.0 | 15.94 | 1.590   | 0.500 | 2.00 |
| 326TS | All   | 30.0 | 12.00 | 3.75 | 17.1 | 1.875 | 15.75 | 5.25 | 12.5 | 8.0 | 15.94 | 1.590   | 0.500 | 2.00 |



| Frame  | C-Face |      |      |    |      |       |      |           |
|--------|--------|------|------|----|------|-------|------|-----------|
|        | Poles  | BA   | AH   | AJ | AK   | BD    | BF # | BF        |
| 284TC  | All    | 4.75 | 4.38 | 9  | 10.5 | 10.75 | 4    | 1/2"-13NC |
| 286TC  | All    | 4.75 | 4.38 | 9  | 10.5 | 10.75 | 4    | 1/2"-13NC |
| 284TSC | All    | 4.75 | 3.00 | 9  | 10.5 | 10.75 | 4    | 1/2"-13NC |
| 286TSC | All    | 4.75 | 3.00 | 9  | 10.5 | 10.75 | 4    | 1/2"-13NC |
| 324TC  | All    | 5.25 | 5.00 | 11 | 12.5 | 12.75 | 4    | 5/8"-11NC |
| 326TC  | All    | 5.25 | 5.00 | 11 | 12.5 | 12.75 | 4    | 5/8"-11NC |
| 324TSC | All    | 5.25 | 3.50 | 11 | 12.5 | 12.75 | 4    | 5/8"-11NC |
| 326TSC | All    | 5.25 | 3.50 | 11 | 12.5 | 12.75 | 4    | 5/8"-11NC |

| Frame  | D-Flange |      |      |      |      |       |      |      |
|--------|----------|------|------|------|------|-------|------|------|
|        | Poles    | BA   | AH   | AJ   | AK   | BD    | BF # | BF   |
| 284TD  | All      | 4.75 | 4.62 | 12.5 | 11.0 | 13.88 | 4    | 0.81 |
| 286TD  | All      | 4.75 | 4.62 | 12.5 | 11.0 | 13.88 | 4    | 0.81 |
| 284TSD | All      | 4.75 | 3.25 | 12.5 | 11.0 | 13.88 | 4    | 0.81 |
| 286TSD | All      | 4.75 | 3.25 | 12.5 | 11.0 | 13.88 | 4    | 0.81 |
| 324TD  | All      | 5.25 | 5.25 | 16.0 | 14.0 | 17.88 | 4    | 0.81 |
| 326TD  | All      | 5.25 | 5.25 | 16.0 | 14.0 | 17.88 | 4    | 0.81 |
| 324TSD | All      | 5.25 | 3.75 | 16.0 | 14.0 | 17.88 | 4    | 0.81 |
| 326TSD | All      | 5.25 | 3.75 | 16.0 | 14.0 | 17.88 | 4    | 0.81 |

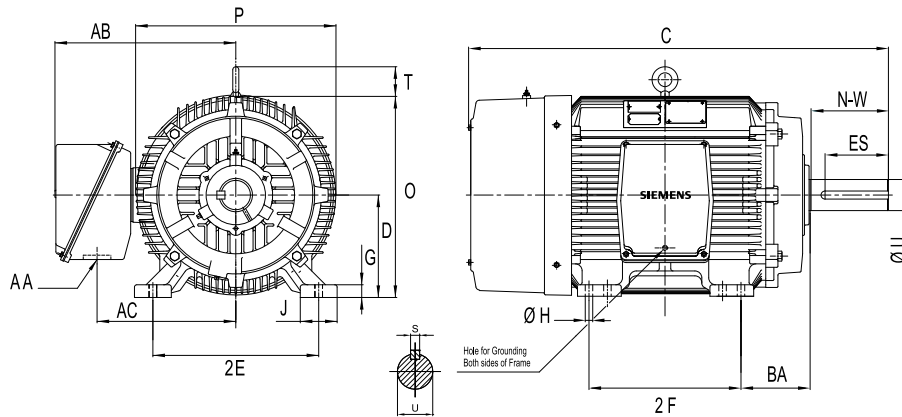
Dimensions in inches.  
Typical dimensions data, not guaranteed.



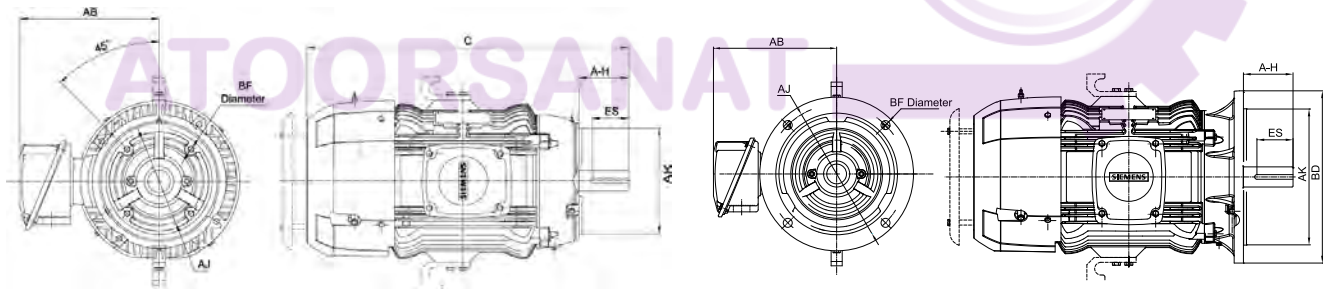
# General dimensions

## SD10 MS

Definite purpose  
Frames 360-400



| Frame | Poles | C    | 2F    | N-W  | P    | U     | AB    | BA   | 2E   | D    | O     | Keyseat |       |      |
|-------|-------|------|-------|------|------|-------|-------|------|------|------|-------|---------|-------|------|
|       |       |      |       |      |      |       |       |      |      |      |       | R       | S     | ES   |
| 364T  | All   | 34.2 | 11.25 | 5.88 | 18.5 | 2.375 | 17.69 | 5.88 | 14.0 | 9.0  | 17.81 | 2.020   | 0.625 | 4.25 |
| 365T  | All   | 34.2 | 12.25 | 5.88 | 18.5 | 2.375 | 17.69 | 5.88 | 14.0 | 9.0  | 17.81 | 2.020   | 0.625 | 4.25 |
| 364TS | All   | 32.1 | 11.25 | 3.75 | 18.5 | 1.875 | 17.69 | 5.88 | 14.0 | 9.0  | 17.81 | 1.590   | 0.500 | 2.00 |
| 365TS | All   | 32.1 | 12.25 | 3.75 | 18.5 | 1.875 | 17.69 | 5.88 | 14.0 | 9.0  | 17.81 | 1.590   | 0.500 | 2.00 |
| 404T  | All   | 39.5 | 12.25 | 7.25 | 19.6 | 2.875 | 17.50 | 6.63 | 16.0 | 10.0 | 19.90 | 2.450   | 0.750 | 5.63 |
| 405T  | All   | 39.5 | 13.75 | 7.25 | 19.6 | 2.875 | 17.50 | 6.63 | 16.0 | 10.0 | 19.90 | 2.450   | 0.750 | 5.63 |
| 404TS | All   | 36.5 | 12.25 | 4.25 | 19.6 | 2.125 | 17.50 | 6.63 | 16.0 | 10.0 | 19.90 | 1.850   | 0.500 | 2.75 |
| 405TS | All   | 36.5 | 13.75 | 4.25 | 19.6 | 2.125 | 17.50 | 6.63 | 16.0 | 10.0 | 19.90 | 1.850   | 0.500 | 2.75 |



| Frame  | Poles | C-Face |      |    |      |       |      |           |
|--------|-------|--------|------|----|------|-------|------|-----------|
|        |       | BA     | AH   | AJ | AK   | BD    | BF # | BF        |
| 364TC  | All   | 5.88   | 5.62 | 11 | 12.5 | 12.75 | 8    | 5/8"-11NC |
| 365TC  | All   | 5.88   | 5.62 | 11 | 12.5 | 12.75 | 8    | 5/8"-11NC |
| 364TSC | All   | 5.88   | 3.50 | 11 | 12.5 | 12.75 | 8    | 5/8"-11NC |
| 365TSC | All   | 5.88   | 3.50 | 11 | 12.5 | 12.75 | 8    | 5/8"-11NC |
| 404TC  | All   | 6.63   | 7.00 | 11 | 12.5 | 13.50 | 8    | 5/8"-11NC |
| 405TC  | All   | 6.63   | 7.00 | 11 | 12.5 | 13.50 | 8    | 5/8"-11NC |
| 404TSC | All   | 6.63   | 4.00 | 11 | 12.5 | 13.50 | 8    | 5/8"-11NC |
| 405TSC | All   | 6.63   | 4.00 | 11 | 12.5 | 13.50 | 8    | 5/8"-11NC |

| Frame  | Poles | D-Flange |      |    |      |       |      |      |
|--------|-------|----------|------|----|------|-------|------|------|
|        |       | BA       | AH   | AJ | AK   | BD    | BF # | BF   |
| 364TD  | All   | 5.88     | 5.88 | 16 | 14.0 | 17.88 | 4    | 0.81 |
| 365TD  | All   | 5.88     | 5.88 | 16 | 14.0 | 17.88 | 4    | 0.81 |
| 364TSD | All   | 5.88     | 3.75 | 16 | 14.0 | 17.88 | 4    | 0.81 |
| 365TSD | All   | 5.88     | 3.75 | 16 | 14.0 | 17.88 | 4    | 0.81 |
| 404TD  | All   | 6.63     | 7.25 | 20 | 18.0 | 21.88 | 8    | 0.81 |
| 405TD  | All   | 6.63     | 7.25 | 20 | 18.0 | 21.88 | 8    | 0.81 |
| 404TSD | All   | 6.63     | 4.25 | 20 | 18.0 | 21.88 | 8    | 0.81 |
| 405TSD | All   | 6.63     | 4.25 | 20 | 18.0 | 21.88 | 8    | 0.81 |

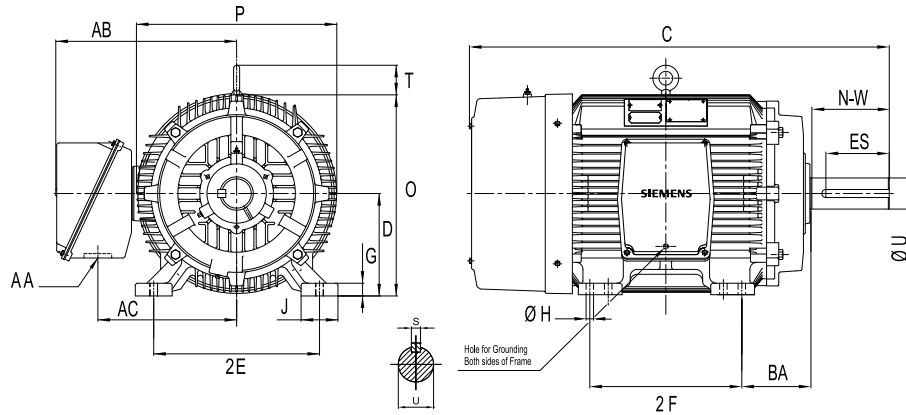
Dimensions in inches.  
Typical dimensions data, not guaranteed.

Introduction  
General Purpose Motors  
Severe Duty Motors  
Hazardous Duty Motors  
Definite Purpose Motors  
Special Features Detail  
Options Selection and Pricing  
Typical Performance Data  
General Dimensions  
Part Number Index

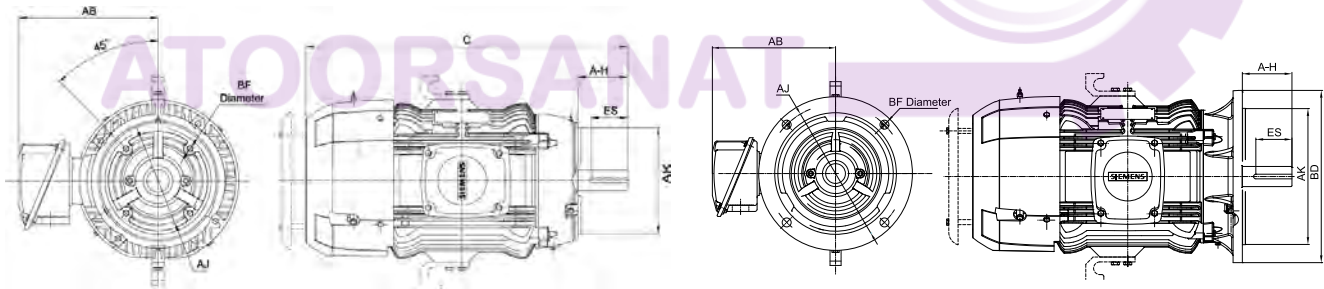
# General dimensions

## SD10 MS

## Definite purpose Frames 440-S440



| Frame  | Poles | C    | 2F    | N-W  | P    | U     | AB    | BA  | 2E   | D    | O     | Keyseat |       |      |
|--------|-------|------|-------|------|------|-------|-------|-----|------|------|-------|---------|-------|------|
|        |       |      |       |      |      |       |       |     |      |      |       | R       | S     | ES   |
| 444T   | All   | 45.6 | 14.50 | 8.50 | 21.7 | 3.375 | 19.94 | 7.5 | 18.0 | 11.0 | 21.90 | 0.875   | 2.880 | 6.88 |
| 445T   | All   | 45.6 | 16.50 | 8.50 | 21.7 | 3.375 | 19.94 | 7.5 | 18.0 | 11.0 | 21.90 | 0.875   | 2.880 | 6.88 |
| 444TS  | All   | 41.8 | 14.50 | 4.75 | 21.7 | 2.375 | 19.94 | 7.5 | 18.0 | 11.0 | 21.90 | 0.625   | 2.020 | 3.00 |
| 445TS  | All   | 41.8 | 16.50 | 4.75 | 21.7 | 2.375 | 19.94 | 7.5 | 18.0 | 11.0 | 21.90 | 0.625   | 2.020 | 3.00 |
| 447T   | All   | 49.1 | 20.00 | 8.50 | 21.8 | 3.375 | 19.94 | 7.5 | 18.0 | 11.0 | 21.90 | 0.875   | 2.880 | 6.88 |
| 447TS  | All   | 45.4 | 20.00 | 4.75 | 21.8 | 2.375 | 19.94 | 7.5 | 18.0 | 11.0 | 21.90 | 0.625   | 2.020 | 3.00 |
| 449T   | All   | 54.1 | 25.00 | 8.50 | 21.8 | 3.375 | 22.00 | 7.5 | 18.0 | 11.0 | 21.90 | 0.875   | 2.880 | 6.88 |
| 449TS  | All   | 50.3 | 25.00 | 4.75 | 21.8 | 2.375 | 22.00 | 7.5 | 18.0 | 11.0 | 21.90 | 0.625   | 2.020 | 3.00 |
| S449LS | All   | 67.1 | 25.00 | 9.12 | 25.4 | 3.625 | 23.01 | 7.5 | 18.0 | 11.0 | 23.40 | 0.875   | 3.130 | 7.50 |
| S449SS | All   | 67.1 | 25.00 | 5.25 | 25.4 | 2.625 | 23.01 | 7.5 | 18.0 | 11.0 | 23.40 | 0.625   | 2.280 | 3.50 |



| Frame  | Poles | C-Face |      |    |      |       |      |           |
|--------|-------|--------|------|----|------|-------|------|-----------|
|        |       | BA     | AH   | AJ | AK   | BD    | BF # | BF        |
| 444TC  | All   | 7.5    | 8.25 | 14 | 16.0 | 16.62 | 8    | 5/8"-11NC |
| 445TC  | All   | 7.5    | 8.25 | 14 | 16.0 | 16.62 | 8    | 5/8"-11NC |
| 444TSC | All   | 7.5    | 4.50 | 14 | 16.0 | 16.62 | 8    | 5/8"-11NC |
| 445TSC | All   | 7.5    | 4.50 | 14 | 16.0 | 16.62 | 8    | 5/8"-11NC |
| 447TC  | All   | 7.5    | 8.25 | 14 | 16.0 | 16.62 | 8    | 5/8"-11NC |
| 447TSC | All   | 7.5    | 4.50 | 14 | 16.0 | 16.62 | 8    | 5/8"-11NC |
| 449TC  | All   | 7.5    | 8.25 | 14 | 16.0 | 16.62 | 8    | 5/8"-11NC |
| 449TSC | All   | 7.5    | 4.50 | 14 | 16.0 | 16.62 | 8    | 5/8"-11NC |

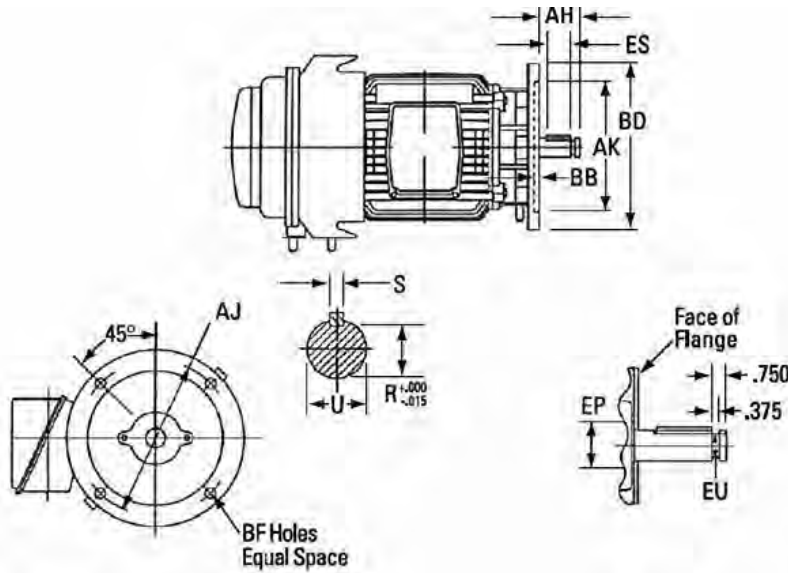
| Frame  | Poles | D-Flange |      |    |      |       |      |      |
|--------|-------|----------|------|----|------|-------|------|------|
|        |       | BA       | AH   | AJ | AK   | BD    | BF # | BF   |
| 444TD  | All   | 7.5      | 8.50 | 20 | 18.0 | 21.88 | 8    | 0.81 |
| 445TD  | All   | 7.5      | 8.50 | 20 | 18.0 | 21.88 | 8    | 0.81 |
| 444TSD | All   | 7.5      | 4.75 | 20 | 18.0 | 21.88 | 8    | 0.81 |
| 445TSD | All   | 7.5      | 4.75 | 20 | 18.0 | 21.88 | 8    | 0.81 |
| 447TD  | All   | 7.5      | 8.50 | 20 | 18.0 | 21.88 | 8    | 0.81 |
| 447TSD | All   | 7.5      | 4.75 | 20 | 18.0 | 21.88 | 8    | 0.81 |
| 449TD  | All   | 7.5      | 8.50 | 20 | 18.0 | 21.88 | 8    | 0.81 |
| 449TSD | All   | 7.5      | 4.75 | 20 | 18.0 | 21.88 | 8    | 0.81 |

Dimensions in inches.  
Typical dimensions data, not guaranteed.

# General dimensions

## RGZVESD / RGZVILESD

Definite purpose  
Vertical P-base solid shaft



### In-line thrust

| Frame  | U      | ES    | EU   | EP    | AH    | AJ   | AK    | BB   | BD   | BF    | R     | S     |       |
|--------|--------|-------|------|-------|-------|------|-------|------|------|-------|-------|-------|-------|
| 143LP  | 145LP  | 1.125 | 1.25 | 0.875 | 1.16  | 2.75 | 9.12  | 8.25 | 0.19 | 10.00 | 0.438 | 0.986 | 0.250 |
| 182LP  | 184LP  | 1.125 | 1.25 | 0.875 | 1.16  | 2.75 | 9.12  | 8.25 | 0.19 | 10.00 | 0.438 | 0.986 | 0.250 |
| 213LP  | 215LP  | 1.625 | 1.25 | 1.25  | 1.77  | 2.75 | 9.12  | 8.25 | 0.19 | 10.00 | 0.438 | 1.416 | 0.375 |
| 254LP  | 256LP  | 1.625 | 1.25 | 1.25  | 1.77  | 2.75 | 9.12  | 8.25 | 0.19 | 10.00 | 0.438 | 1.416 | 0.375 |
| 284LPH | 286LPH | 2.125 | 3.00 | 1.75  | 2.36  | 4.50 | 14.75 | 13.5 | 0.25 | 16.50 | 0.688 | 1.845 | 0.500 |
| 324LP  | 326LP  | 2.125 | 3.00 | 1.75  | 2.36  | 4.50 | 14.75 | 13.5 | 0.25 | 16.50 | 0.688 | 1.845 | 0.500 |
| 364LP  | 365LP  | 2.125 | 3.00 | 1.75  | 2.38  | 4.50 | 14.75 | 13.5 | 0.25 | 16.50 | 0.688 | 1.845 | 0.500 |
| 404LP  | 405LP  | 2.125 | 3.00 | 1.75  | 2.999 | 4.50 | 14.75 | 13.5 | 0.25 | 16.38 | 0.688 | 1.845 | 0.500 |
| 444LP  | 445LP  | 2.125 | 3.00 | 1.75  | 2.999 | 4.50 | 14.75 | 13.5 | 0.25 | 16.38 | 0.688 | 1.845 | 0.500 |
| 447LP  | 449LP  | 2.125 | 3.00 | 1.75  | 2.999 | 4.50 | 14.75 | 13.5 | 0.25 | 16.38 | 0.688 | 1.845 | 0.500 |

### Normal thrust

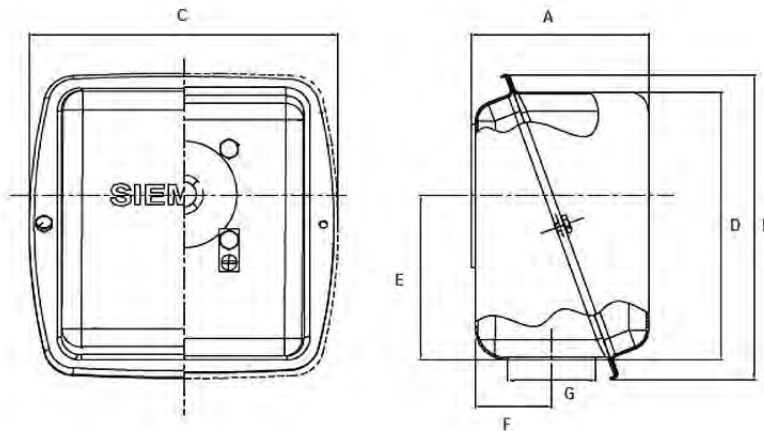
| Frame  | U      | ES    | EU   | EP    | AH    | AJ   | AK    | BB   | BD   | BF    | R     | S     |       |
|--------|--------|-------|------|-------|-------|------|-------|------|------|-------|-------|-------|-------|
| 143HP  | 145HP  | 0.875 | 1.25 | 0.688 | 1.16  | 2.75 | 9.12  | 8.25 | 0.19 | 10.00 | 0.438 | 0.771 | 0.188 |
| 182HP  | 184HP  | 1.125 | 1.25 | 0.875 | 1.16  | 2.75 | 9.12  | 8.25 | 0.19 | 10.00 | 0.438 | 0.986 | 0.250 |
| 213HP  | 215HP  | 1.125 | 1.25 | 0.875 | 1.38  | 2.75 | 9.12  | 8.25 | 0.19 | 10.00 | 0.438 | 0.986 | 0.250 |
| 254HP  | 256HP  | 1.125 | 1.25 | 0.875 | 1.77  | 2.75 | 9.12  | 8.25 | 0.19 | 10.00 | 0.438 | 0.986 | 0.250 |
| 284HP  | 286HP  | 1.125 | 1.25 | 0.875 | 2.36  | 2.75 | 9.12  | 8.25 | 0.19 | 10.00 | 0.438 | 0.986 | 0.250 |
| 284HPH | 286HPH | 1.625 | 3.00 | 1.250 | 2.36  | 4.50 | 14.75 | 13.5 | 0.25 | 16.50 | 0.688 | 1.416 | 0.375 |
| 324HP  | 326HP  | 1.625 | 3.00 | 1.250 | 2.36  | 4.50 | 14.75 | 13.5 | 0.25 | 16.50 | 0.688 | 1.416 | 0.375 |
| 364HP  | 365HP  | 1.625 | 3.00 | 1.250 | 2.36  | 4.50 | 14.75 | 13.5 | 0.25 | 16.50 | 0.688 | 1.416 | 0.375 |
| 404HP  | 405HP  | 1.625 | 3.00 | 1.250 | 2.999 | 4.50 | 14.75 | 13.5 | 0.25 | 16.38 | 0.688 | 1.416 | 0.375 |
| 444HP  | 445HP  | 2.125 | 3.00 | 1.750 | 2.999 | 4.50 | 14.75 | 13.5 | 0.25 | 16.38 | 0.688 | 1.845 | 0.500 |
| 447HP  | 449HP  | 2.125 | 3.00 | 1.750 | 2.999 | 4.50 | 14.75 | 13.5 | 0.25 | 16.38 | 0.688 | 1.845 | 0.500 |

Dimensions in inches.  
Typical dimensions data, not guaranteed.

# General dimensions

## SIMOTICS General purpose

## Conduit boxes GP100A / GP100



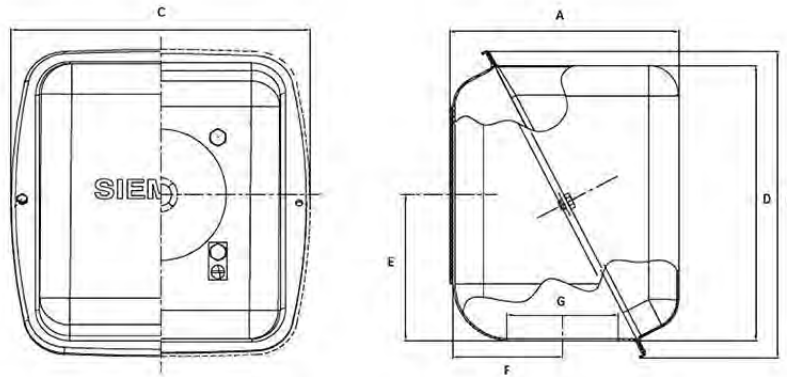
| Frame | External Dimensions (in) |      |      |      |      |      |      | Approx. internal volume (in <sup>3</sup> ) | Number of cover bolts |
|-------|--------------------------|------|------|------|------|------|------|--|-----------------------|
|       | A                        | B    | C    | D    | E    | F    | G    |  |                       |
| 140   | 2.79                     | 5.31 | 4.41 | 4.02 | 2.69 | 0.95 | 0.75 | 37   | 4                     |
| 180   | 2.79                     | 5.31 | 4.41 | 4.02 | 2.69 | 0.95 | 0.75 | 37   | 4                     |
| 210   | 3.30                     | 6.89 | 5.71 | 5.20 | 3.82 | 1.18 | 1.00 | 87   | 4                     |
| 250   | 3.30                     | 6.89 | 5.71 | 5.20 | 3.82 | 1.18 | 1.25 | 87   | 4                     |
| 280   | 5.00                     | 8.60 | 8.70 | 6.38 | 4.50 | 2.16 | 2.00 | 230  | 4                     |
| 320   | 5.00                     | 8.60 | 8.70 | 7.62 | 4.50 | 2.16 | 2.50 | 230  | 4                     |
| 360   | 7.44                     | 9.94 | 9.69 | 9.50 | 4.72 | 3.54 | 3.00 | 465  | 4                     |
| 400   | 7.44                     | 9.94 | 9.69 | 9.50 | 4.72 | 3.54 | 3.00 | 465  | 4                     |

ATOORSANAT

# General dimensions

## SIMOTICS Severe duty

## Conduit boxes SD100 / SD100 IEEE841 / SD10 MS



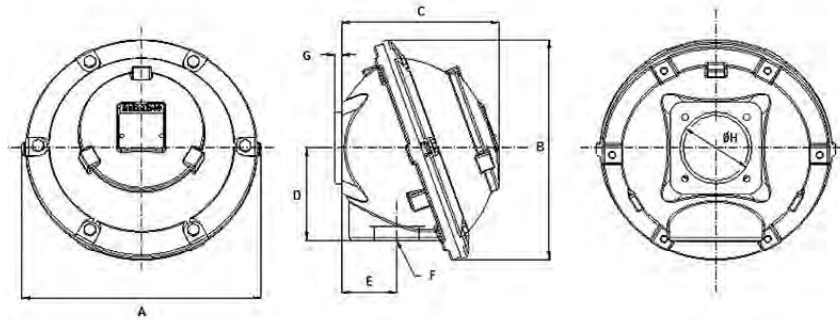
| Frame   | External Dimension (in) |       |      |      |      |      |      | Approx. internal volume (in <sup>3</sup> ) | Number of cover bolts |
|---------|-------------------------|-------|------|------|------|------|------|--|-----------------------|
|         | A                       | B     | C    | D    | E    | F    | G    |  |                       |
| 140     | 3.23                    | 5.98  | 4.96 | 4.37 | 2.28 | 1.18 | 0.75 | 41   | 4                     |
| 180     | 3.23                    | 5.98  | 4.96 | 4.37 | 2.28 | 1.18 | 0.75 | 41   | 4                     |
| 210     | 4.24                    | 7.11  | 5.94 | 5.32 | 3.43 | 1.69 | 1    | 86   | 4                     |
| 250     | 4.24                    | 7.11  | 5.94 | 5.32 | 3.43 | 1.69 | 1.25 | 86   | 4                     |
| 280     | 5.5                     | 8.31  | 7.12 | 6.38 | 4.75 | 2.44 | 1.5  | 226  | 4                     |
| 320     | 6.44                    | 10    | 8.5  | 7.62 | 5.5  | 3    | 2    | 380  | 4                     |
| 360     | 8.06                    | 12.31 | 10.5 | 9.5  | 7    | 3.5  | 3    | 762  | 4                     |
| 400     | 8.06                    | 12.31 | 10.5 | 9.5  | 7    | 3.5  | 3    | 762  | 4                     |
| 444-447 | 8.06                    | 12.31 | 10.5 | 9.5  | 7    | 3.5  | 3    | 762  | 4                     |
| 449     | 10.19                   | 15.7  | 13.5 | 12.5 | 8.5  | 5    | 3    | 1696                                       | 4                     |
| S449    | 10.19                   | 15.7  | 13.5 | 12.5 | 8.5  | 5    | 4    | 1696                                       | 4                     |

Dimensions in inches.  
Typical dimensions data, not guaranteed.

# General dimensions

## SIMOTICS Explosion proof

## Conduit boxes XP100 / XP100 ID1

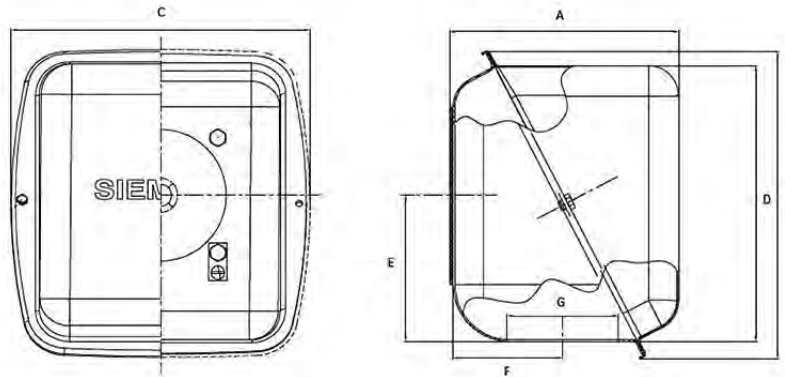


| Frame   | External Dimensions (in) |       |       |      |      |              |      |      | Approx. internal volume (in <sup>3</sup> ) | Number of cover bolts |
|---------|--------------------------|-------|-------|------|------|--------------|------|------|--|-----------------------|
|         | A                        | B     | C     | D    | E    | F            | G    | H    |  |                       |
| 140     | 7.28                     | 6.65  | 4.07  | 2.56 | 1.61 | 3/4"-14 NPT  | 0.35 | 2.20 | 39.0                                       | 4                     |
| 180     | 7.28                     | 6.65  | 4.07  | 2.56 | 1.61 | 3/4"-14 NPT  | 0.35 | 2.20 | 39.0                                       | 4                     |
| 210     | 8.07                     | 7.40  | 4.66  | 2.95 | 1.73 | 1"-11.5NPT   | 0.35 | 2.83 | 64.0                                       | 4                     |
| 250     | 8.07                     | 7.40  | 4.66  | 2.95 | 1.73 | 1"-11.5NPT   | 0.35 | 2.83 | 64.0                                       | 4                     |
| 280     | 8.07                     | 7.40  | 4.66  | 2.95 | 1.73 | 1.5"-11.5NPT | 0.35 | 2.83 | 64.0                                       | 4                     |
| 320     | 12.00                    | 11.13 | 7.90  | 4.65 | 2.76 | 2"-11.5NPT   | 0.35 | 3.62 | 278.4                                      | 6                     |
| 360     | 12.00                    | 11.13 | 7.90  | 4.65 | 2.76 | 3"-8NPT      | 0.35 | 3.62 | 278.4                                      | 6                     |
| 400     | 14.09                    | 13.11 | 9.88  | 5.83 | 4.17 | 3"-8NPT      | 0.35 | 4.72 | 552.0                                      | 6                     |
| 444/445 | 14.09                    | 13.11 | 9.88  | 5.83 | 4.17 | 3"-8NPT      | 0.35 | 4.72 | 552.0                                      | 6                     |
| 447     | 14.09                    | 13.11 | 9.88  | 5.83 | 4.17 | 3"-8NPT      | 0.35 | 4.72 | 552.0                                      | 6                     |
| 449     | 17.24                    | 16.14 | 11.75 | 6.89 | 5.45 | 3"-8NPT      | 0.35 | 4.72 | 972.0                                      | 6                     |

# General dimensions

## SIMOTICS Definite purpose

## Conduit boxes RGZ



| Frame   | External Dimensions (in) |       |       |       |      |      |      | Approx. internal volume (in <sup>3</sup> ) | Number of cover bolts |
|---------|--------------------------|-------|-------|-------|------|------|------|--|-----------------------|
|         | A                        | B     | C     | D     | E    | F    | G    |  |                       |
| 140     | 2.68                     | 4.60  | 4.15  | 3.58  | 2.36 | 1.00 | 0.75 | 27   | 4                     |
| 180     | 3.07                     | 4.76  | 4.49  | 3.92  | 2.48 | 1.24 | 0.75 | 36   | 4                     |
| 210     | 3.86                     | 7.05  | 5.49  | 4.90  | 3.66 | 1.56 | 1.00 | 85   | 4                     |
| 250     | 3.86                     | 7.05  | 5.49  | 4.90  | 3.66 | 1.56 | 1.25 | 85   | 4                     |
| 280     | 5.50                     | 8.31  | 7.12  | 6.38  | 4.75 | 2.44 | 1.50 | 226  | 4                     |
| 320     | 6.44                     | 10.00 | 8.50  | 7.62  | 5.50 | 3.00 | 2.00 | 380  | 4                     |
| 360     | 8.06                     | 12.31 | 10.50 | 9.50  | 7.00 | 3.50 | 3.00 | 762  | 4                     |
| 400     | 8.06                     | 12.31 | 10.50 | 9.50  | 7.00 | 3.50 | 3.00 | 762  | 4                     |
| 444-447 | 8.06                     | 12.31 | 10.50 | 9.50  | 7.00 | 3.50 | 3.00 | 762  | 4                     |
| 449     | 10.19                    | 15.70 | 13.50 | 12.50 | 8.50 | 5.00 | 3.00 | 1696                                       | 4                     |
| S449    | 10.19                    | 15.70 | 13.50 | 12.50 | 8.50 | 5.00 | 4.00 | 1696                                       | 4                     |

Dimensions in inches.  
Typical dimensions data, not guaranteed.





# Part number index

## SIMOTICS NEMA motors

| Part Number      | HP   | RPM | Type   | Page |
|------------------|------|-----|--------|------|
| 1LE21111AA214AA3 | 3600 | 1.5 | GP100A | 2-5  |
| 1LE21111AA314AA3 | 3600 | 2   | GP100A | 2-5  |
| 1LE21111AB214AA3 | 1800 | 1   | GP100A | 2-5  |
| 1LE21111AB314AA3 | 1800 | 1.5 | GP100A | 2-5  |
| 1LE21111AB414AA3 | 1800 | 2   | GP100A | 2-5  |
| 1LE21111AC314AA3 | 1200 | 1   | GP100A | 2-5  |
| 1LE21111CA114AA3 | 3600 | 3   | GP100A | 2-5  |
| 1LE21111CA314AA3 | 3600 | 5   | GP100A | 2-5  |
| 1LE21111CB114AA3 | 1800 | 3   | GP100A | 2-5  |
| 1LE21111CB314AA3 | 1800 | 5   | GP100A | 2-5  |
| 1LE21112AA114AA3 | 3600 | 7.5 | GP100A | 2-5  |
| 1LE21112AA214AA3 | 3600 | 10  | GP100A | 2-5  |
| 1LE21112AB114AA3 | 1800 | 7.5 | GP100A | 2-5  |
| 1LE21112AB214AA3 | 1800 | 10  | GP100A | 2-5  |
| 1LE21112AC114AA3 | 1200 | 3   | GP100A | 2-5  |
| 1LE21112AC214AA3 | 1200 | 5   | GP100A | 2-5  |
| 1LE21112BA114AA3 | 3600 | 15  | GP100A | 2-5  |
| 1LE21112BA214AA3 | 3600 | 20  | GP100A | 2-5  |
| 1LE21112BB114AA3 | 1800 | 15  | GP100A | 2-5  |
| 1LE21112BB214AA3 | 1800 | 20  | GP100A | 2-5  |
| 1LE21112BC114AA3 | 1200 | 7.5 | GP100A | 2-5  |
| 1LE21112BC214AA3 | 1200 | 10  | GP100A | 2-5  |
| 1LE21211AA113AA3 | 3600 | 1   | GP100A | 2-6  |
| 1LE21211AA113EA3 | 3600 | 1   | GP100A | 2-7  |
| 1LE21211AA113GA3 | 3600 | 1   | GP100A | 2-8  |
| 1LE21211AA114AA3 | 3600 | 1   | GP100A | 2-2  |
| 1LE21211AA114EA3 | 3600 | 1   | GP100A | 2-3  |
| 1LE21211AA114GA3 | 3600 | 1   | GP100A | 2-4  |
| 1LE21211AA213AA3 | 3600 | 1.5 | GP100A | 2-6  |
| 1LE21211AA213EA3 | 3600 | 1.5 | GP100A | 2-7  |
| 1LE21211AA213GA3 | 3600 | 1.5 | GP100A | 2-8  |
| 1LE21211AA214AA3 | 3600 | 1.5 | GP100A | 2-2  |
| 1LE21211AA214EA3 | 3600 | 1.5 | GP100A | 2-3  |
| 1LE21211AA214GA3 | 3600 | 1.5 | GP100A | 2-4  |
| 1LE21211AA313AA3 | 3600 | 2   | GP100A | 2-6  |
| 1LE21211AA313EA3 | 3600 | 2   | GP100A | 2-7  |
| 1LE21211AA313GA3 | 3600 | 2   | GP100A | 2-8  |
| 1LE21211AA314AA3 | 3600 | 2   | GP100A | 2-2  |
| 1LE21211AA314EA3 | 3600 | 2   | GP100A | 2-3  |
| 1LE21211AA314GA3 | 3600 | 2   | GP100A | 2-4  |
| 1LE21211AB213AA3 | 1800 | 1   | GP100A | 2-6  |
| 1LE21211AB213EA3 | 1800 | 1   | GP100A | 2-7  |
| 1LE21211AB213GA3 | 1800 | 1   | GP100A | 2-8  |
| 1LE21211AB214AA3 | 1800 | 1   | GP100A | 2-2  |
| 1LE21211AB214EA3 | 1800 | 1   | GP100A | 2-3  |
| 1LE21211AB214GA3 | 1800 | 1   | GP100A | 2-4  |
| 1LE21211AB313AA3 | 1800 | 1.5 | GP100A | 2-6  |
| 1LE21211AB313EA3 | 1800 | 1.5 | GP100A | 2-7  |
| 1LE21211AB313GA3 | 1800 | 1.5 | GP100A | 2-8  |
| 1LE21211AB314AA3 | 1800 | 1.5 | GP100A | 2-2  |
| 1LE21211AB314EA3 | 1800 | 1.5 | GP100A | 2-3  |

| Part Number      | HP   | RPM | Type   | Page |
|------------------|------|-----|--------|------|
| 1LE21211AB314GA3 | 1800 | 1.5 | GP100A | 2-4  |
| 1LE21211AB413AA3 | 1800 | 2   | GP100A | 2-6  |
| 1LE21211AB413EA3 | 1800 | 2   | GP100A | 2-7  |
| 1LE21211AB413GA3 | 1800 | 2   | GP100A | 2-8  |
| 1LE21211AB414AA3 | 1800 | 2   | GP100A | 2-2  |
| 1LE21211AB414EA3 | 1800 | 2   | GP100A | 2-3  |
| 1LE21211AB414GA3 | 1800 | 2   | GP100A | 2-4  |
| 1LE21211AC313AA3 | 1200 | 1   | GP100A | 2-6  |
| 1LE21211AC313EA3 | 1200 | 1   | GP100A | 2-7  |
| 1LE21211AC313GA3 | 1200 | 1   | GP100A | 2-8  |
| 1LE21211AC314AA3 | 1200 | 1   | GP100A | 2-2  |
| 1LE21211AC314EA3 | 1200 | 1   | GP100A | 2-3  |
| 1LE21211AC314GA3 | 1200 | 1   | GP100A | 2-4  |
| 1LE21211CA113AA3 | 3600 | 3   | GP100A | 2-6  |
| 1LE21211CA113EA3 | 3600 | 3   | GP100A | 2-7  |
| 1LE21211CA113GA3 | 3600 | 3   | GP100A | 2-8  |
| 1LE21211CA114AA3 | 3600 | 3   | GP100A | 2-2  |
| 1LE21211CA114EA3 | 3600 | 3   | GP100A | 2-3  |
| 1LE21211CA114GA3 | 3600 | 3   | GP100A | 2-4  |
| 1LE21211CA313AA3 | 3600 | 5   | GP100A | 2-6  |
| 1LE21211CA313GA3 | 3600 | 5   | GP100A | 2-8  |
| 1LE21211CA314AA3 | 3600 | 5   | GP100A | 2-2  |
| 1LE21211CA314EA3 | 3600 | 5   | GP100A | 2-3  |
| 1LE21211CA314GA3 | 3600 | 5   | GP100A | 2-4  |
| 1LE21211CB113AA3 | 1800 | 3   | GP100A | 2-6  |
| 1LE21211CB113EA3 | 1800 | 3   | GP100A | 2-7  |
| 1LE21211CB113GA3 | 1800 | 3   | GP100A | 2-8  |
| 1LE21211CB114AA3 | 1800 | 3   | GP100A | 2-2  |
| 1LE21211CB114EA3 | 1800 | 3   | GP100A | 2-3  |
| 1LE21211CB114GA3 | 1800 | 3   | GP100A | 2-4  |
| 1LE21211CB313AA3 | 1800 | 5   | GP100A | 2-6  |
| 1LE21211CB313EA3 | 1800 | 5   | GP100A | 2-7  |
| 1LE21211CB313GA3 | 1800 | 5   | GP100A | 2-8  |
| 1LE21211CB314AA3 | 1800 | 5   | GP100A | 2-2  |
| 1LE21211CB314EA3 | 1800 | 5   | GP100A | 2-3  |
| 1LE21211CB314GA3 | 1800 | 5   | GP100A | 2-4  |
| 1LE21211CC113AA3 | 1200 | 1.5 | GP100A | 2-6  |
| 1LE21211CC113EA3 | 1200 | 1.5 | GP100A | 2-7  |
| 1LE21211CC113GA3 | 1200 | 1.5 | GP100A | 2-8  |
| 1LE21211CC114AA3 | 1200 | 1.5 | GP100A | 2-2  |
| 1LE21211CC114EA3 | 1200 | 1.5 | GP100A | 2-3  |
| 1LE21211CC114GA3 | 1200 | 1.5 | GP100A | 2-4  |
| 1LE21211CC313AA3 | 1200 | 2   | GP100A | 2-6  |
| 1LE21211CC313EA3 | 1200 | 2   | GP100A | 2-7  |
| 1LE21211CC313GA3 | 1200 | 2   | GP100A | 2-8  |
| 1LE21211CC314AA3 | 1200 | 2   | GP100A | 2-2  |
| 1LE21211CC314EA3 | 1200 | 2   | GP100A | 2-3  |
| 1LE21211CC314GA3 | 1200 | 2   | GP100A | 2-4  |
| 1LE21212AA113AA3 | 3600 | 7.5 | GP100A | 2-6  |
| 1LE21212AA113EA3 | 3600 | 7.5 | GP100A | 2-7  |

# Part number index

## SIMOTICS NEMA motors

| Part Number      | HP   | RPM | Type   | Page |
|------------------|------|-----|--------|------|
| 1LE21212AA113GA3 | 3600 | 7.5 | GP100A | 2-8  |
| 1LE21212AA114AA3 | 3600 | 7.5 | GP100A | 2-2  |
| 1LE21212AA114EA3 | 3600 | 7.5 | GP100A | 2-3  |
| 1LE21212AA114GA3 | 3600 | 7.5 | GP100A | 2-4  |
| 1LE21212AA213AA3 | 3600 | 10  | GP100A | 2-6  |
| 1LE21212AA213EA3 | 3600 | 10  | GP100A | 2-7  |
| 1LE21212AA213GA3 | 3600 | 10  | GP100A | 2-8  |
| 1LE21212AA214AA3 | 3600 | 10  | GP100A | 2-2  |
| 1LE21212AA214EA3 | 3600 | 10  | GP100A | 2-3  |
| 1LE21212AA214GA3 | 3600 | 10  | GP100A | 2-4  |
| 1LE21212AB113AA3 | 1800 | 7.5 | GP100A | 2-6  |
| 1LE21212AB113EA3 | 1800 | 7.5 | GP100A | 2-7  |
| 1LE21212AB113GA3 | 1800 | 7.5 | GP100A | 2-8  |
| 1LE21212AB114AA3 | 1800 | 7.5 | GP100A | 2-2  |
| 1LE21212AB114EA3 | 1800 | 7.5 | GP100A | 2-3  |
| 1LE21212AB114GA3 | 1800 | 7.5 | GP100A | 2-4  |
| 1LE21212AB213AA3 | 1800 | 10  | GP100A | 2-6  |
| 1LE21212AB213EA3 | 1800 | 10  | GP100A | 2-7  |
| 1LE21212AB213GA3 | 1800 | 10  | GP100A | 2-8  |
| 1LE21212AB214AA3 | 1800 | 10  | GP100A | 2-2  |
| 1LE21212AB214EA3 | 1800 | 10  | GP100A | 2-3  |
| 1LE21212AB214GA3 | 1800 | 10  | GP100A | 2-4  |
| 1LE21212AC113AA3 | 1200 | 3   | GP100A | 2-6  |
| 1LE21212AC113EA3 | 1200 | 3   | GP100A | 2-7  |
| 1LE21212AC113GA3 | 1200 | 3   | GP100A | 2-8  |
| 1LE21212AC114AA3 | 1200 | 3   | GP100A | 2-2  |
| 1LE21212AC114EA3 | 1200 | 3   | GP100A | 2-3  |
| 1LE21212AC114GA3 | 1200 | 3   | GP100A | 2-4  |
| 1LE21212AC213AA3 | 1200 | 5   | GP100A | 2-6  |
| 1LE21212AC213EA3 | 1200 | 5   | GP100A | 2-7  |
| 1LE21212AC213GA3 | 1200 | 5   | GP100A | 2-8  |
| 1LE21212AC214AA3 | 1200 | 5   | GP100A | 2-2  |
| 1LE21212AC214EA3 | 1200 | 5   | GP100A | 2-3  |
| 1LE21212AC214GA3 | 1200 | 5   | GP100A | 2-4  |
| 1LE21212BA113AA3 | 3600 | 15  | GP100A | 2-6  |
| 1LE21212BA113EA3 | 3600 | 15  | GP100A | 2-7  |
| 1LE21212BA113GA3 | 3600 | 15  | GP100A | 2-8  |
| 1LE21212BA114AA3 | 3600 | 15  | GP100A | 2-2  |
| 1LE21212BA114EA3 | 3600 | 15  | GP100A | 2-3  |
| 1LE21212BA114GA3 | 3600 | 15  | GP100A | 2-4  |
| 1LE21212BA213AA3 | 3600 | 20  | GP100A | 2-6  |
| 1LE21212BA213EA3 | 3600 | 20  | GP100A | 2-7  |
| 1LE21212BA213GA3 | 3600 | 20  | GP100A | 2-8  |
| 1LE21212BA214AA3 | 3600 | 20  | GP100A | 2-2  |
| 1LE21212BA214EA3 | 3600 | 20  | GP100A | 2-3  |
| 1LE21212BA214GA3 | 3600 | 20  | GP100A | 2-4  |
| 1LE21212BB113AA3 | 1800 | 15  | GP100A | 2-6  |
| 1LE21212BB113EA3 | 1800 | 15  | GP100A | 2-7  |
| 1LE21212BB113GA3 | 1800 | 15  | GP100A | 2-8  |
| 1LE21212BB114AA3 | 1800 | 15  | GP100A | 2-2  |
| 1LE21212BB114EA3 | 1800 | 15  | GP100A | 2-3  |

| Part Number      | HP   | RPM  | Type   | Page |
|------------------|------|------|--------|------|
| 1LE21212BB114GA3 | 1800 | 15   | GP100A | 2-4  |
| 1LE21212BB213AA3 | 1800 | 20   | GP100A | 2-6  |
| 1LE21212BB213EA3 | 1800 | 20   | GP100A | 2-7  |
| 1LE21212BB213GA3 | 1800 | 20   | GP100A | 2-8  |
| 1LE21212BB214AA3 | 1800 | 20   | GP100A | 2-2  |
| 1LE21212BB214EA3 | 1800 | 20   | GP100A | 2-3  |
| 1LE21212BB214GA3 | 1800 | 20   | GP100A | 2-4  |
| 1LE21212BC113AA3 | 1200 | 7.5  | GP100A | 2-6  |
| 1LE21212BC113EA3 | 1200 | 7.5  | GP100A | 2-7  |
| 1LE21212BC113GA3 | 1200 | 7.5  | GP100A | 2-8  |
| 1LE21212BC114AA3 | 1200 | 7.5  | GP100A | 2-2  |
| 1LE21212BC114EA3 | 1200 | 7.5  | GP100A | 2-3  |
| 1LE21212BC114GA3 | 1200 | 7.5  | GP100A | 2-4  |
| 1LE21212BC213AA3 | 1200 | 10   | GP100A | 2-6  |
| 1LE21212BC213EA3 | 1200 | 10   | GP100A | 2-7  |
| 1LE21212BC213GA3 | 1200 | 10   | GP100A | 2-8  |
| 1LE21212BC214AA3 | 1200 | 10   | GP100A | 2-2  |
| 1LE21212BC214EA3 | 1200 | 10   | GP100A | 2-3  |
| 1LE21212BC214GA3 | 1200 | 10   | GP100A | 2-4  |
| 1LE22111AA214AA3 | 3600 | 1.5  | GP100  | 2-18 |
| 1LE22111AA214GA3 | 3600 | 1.5  | GP100  | 2-19 |
| 1LE22111AA314AA3 | 3600 | 2.0  | GP100  | 2-18 |
| 1LE22111AA314GA3 | 3600 | 2    | GP100  | 2-19 |
| 1LE22111AB214AA3 | 1800 | 1    | GP100  | 2-18 |
| 1LE22111AB214GA3 | 1800 | 1    | GP100  | 2-19 |
| 1LE22111AB314AA3 | 1800 | 1.5  | GP100  | 2-18 |
| 1LE22111AB314GA3 | 1800 | 1.5  | GP100  | 2-19 |
| 1LE22111AB414AA3 | 1800 | 2    | GP100  | 2-18 |
| 1LE22111AB414GA3 | 1800 | 2    | GP100  | 2-19 |
| 1LE22111AC314AA3 | 1200 | 1    | GP100  | 2-18 |
| 1LE22111AC314GA3 | 1200 | 1    | GP100  | 2-19 |
| 1LE22111CA114AA3 | 3600 | 3    | GP100  | 2-18 |
| 1LE22111CA114GA3 | 3600 | 3    | GP100  | 2-19 |
| 1LE22111CA314AA3 | 3600 | 5    | GP100  | 2-18 |
| 1LE22111CA314GA3 | 3600 | 5    | GP100  | 2-19 |
| 1LE22111CB114AA3 | 1800 | 3    | GP100  | 2-18 |
| 1LE22111CB114GA3 | 1800 | 3    | GP100  | 2-19 |
| 1LE22111CB314AA3 | 1800 | 5    | GP100  | 2-18 |
| 1LE22111CB314GA3 | 1800 | 5.0  | GP100  | 2-19 |
| 1LE22112AA114AA3 | 3600 | 7.5  | GP100  | 2-18 |
| 1LE22112AA114GA3 | 3600 | 7.5  | GP100  | 2-19 |
| 1LE22112AA214AA3 | 3600 | 10   | GP100  | 2-18 |
| 1LE22112AA214GA3 | 3600 | 10   | GP100  | 2-19 |
| 1LE22112AB114AA3 | 1800 | 7.5  | GP100  | 2-18 |
| 1LE22112AB114GA3 | 1800 | 7.5  | GP100  | 2-19 |
| 1LE22112AB214AA3 | 1800 | 10.0 | GP100  | 2-18 |
| 1LE22112AB214GA3 | 1800 | 10   | GP100  | 2-19 |
| 1LE22112AC114AA3 | 1200 | 3    | GP100  | 2-18 |
| 1LE22112AC114GA3 | 1200 | 3    | GP100  | 2-19 |
| 1LE22112AC214AA3 | 1200 | 5    | GP100  | 2-18 |
| 1LE22112AC214GA3 | 1200 | 5    | GP100  | 2-19 |

# Part number index

## SIMOTICS NEMA motors

| Part Number      | HP   | RPM | Type  | Page |
|------------------|------|-----|-------|------|
| 1LE22112BA114AA3 | 3600 | 15  | GP100 | 2-18 |
| 1LE22112BA114GA3 | 3600 | 15  | GP100 | 2-19 |
| 1LE22112BA214AA3 | 3600 | 20  | GP100 | 2-18 |
| 1LE22112BA214GA3 | 3600 | 20  | GP100 | 2-19 |
| 1LE22112BB114AA3 | 1800 | 15  | GP100 | 2-18 |
| 1LE22112BB114GA3 | 1800 | 15  | GP100 | 2-19 |
| 1LE22112BB214AA3 | 1800 | 20  | GP100 | 2-18 |
| 1LE22112BB214GA3 | 1800 | 20  | GP100 | 2-19 |
| 1LE22112BC114AA3 | 1200 | 7.5 | GP100 | 2-18 |
| 1LE22112BC114GA3 | 1200 | 7.5 | GP100 | 2-19 |
| 1LE22112BC214AA3 | 1200 | 10  | GP100 | 2-18 |
| 1LE22112BC214GA3 | 1200 | 10  | GP100 | 2-19 |
| 1LE22211AA113AA3 | 3600 | 1   | GP100 | 2-20 |
| 1LE22211AA113EA3 | 3600 | 1   | GP100 | 2-22 |
| 1LE22211AA113GA3 | 3600 | 1   | GP100 | 2-23 |
| 1LE22211AA114AA3 | 3600 | 1   | GP100 | 2-14 |
| 1LE22211AA114EA3 | 3600 | 1   | GP100 | 2-16 |
| 1LE22211AA114GA3 | 3600 | 1   | GP100 | 2-17 |
| 1LE22211AA213AA3 | 3600 | 1.5 | GP100 | 2-20 |
| 1LE22211AA213EA3 | 3600 | 1.5 | GP100 | 2-22 |
| 1LE22211AA213GA3 | 3600 | 1.5 | GP100 | 2-23 |
| 1LE22211AA214AA3 | 3600 | 1.5 | GP100 | 2-14 |
| 1LE22211AA214EA3 | 3600 | 1.5 | GP100 | 2-16 |
| 1LE22211AA214GA3 | 3600 | 1.5 | GP100 | 2-17 |
| 1LE22211AA313AA3 | 3600 | 2   | GP100 | 2-20 |
| 1LE22211AA313EA3 | 3600 | 2   | GP100 | 2-22 |
| 1LE22211AA313GA3 | 3600 | 2   | GP100 | 2-23 |
| 1LE22211AA314AA3 | 3600 | 2   | GP100 | 2-14 |
| 1LE22211AA314EA3 | 3600 | 2   | GP100 | 2-16 |
| 1LE22211AA314GA3 | 3600 | 2   | GP100 | 2-17 |
| 1LE22211AB213AA3 | 1800 | 1   | GP100 | 2-20 |
| 1LE22211AB213EA3 | 1800 | 1   | GP100 | 2-22 |
| 1LE22211AB213GA3 | 1800 | 1   | GP100 | 2-23 |
| 1LE22211AB214AA3 | 1800 | 1   | GP100 | 2-14 |
| 1LE22211AB214EA3 | 1800 | 1   | GP100 | 2-16 |
| 1LE22211AB214GA3 | 1800 | 1   | GP100 | 2-17 |
| 1LE22211AB313AA3 | 1800 | 1.5 | GP100 | 2-20 |
| 1LE22211AB313EA3 | 1800 | 1.5 | GP100 | 2-22 |
| 1LE22211AB313GA3 | 1800 | 1.5 | GP100 | 2-23 |
| 1LE22211AB314AA3 | 1800 | 1.5 | GP100 | 2-14 |
| 1LE22211AB314EA3 | 1800 | 1.5 | GP100 | 2-16 |
| 1LE22211AB314GA3 | 1800 | 1.5 | GP100 | 2-17 |
| 1LE22211AB413AA3 | 1800 | 2   | GP100 | 2-20 |
| 1LE22211AB413EA3 | 1800 | 2   | GP100 | 2-22 |
| 1LE22211AB413GA3 | 1800 | 2   | GP100 | 2-23 |
| 1LE22211AB414AA3 | 1800 | 2   | GP100 | 2-14 |
| 1LE22211AB414EA3 | 1800 | 2   | GP100 | 2-16 |
| 1LE22211AB414GA3 | 1800 | 2   | GP100 | 2-17 |
| 1LE22211AC313AA3 | 1200 | 1   | GP100 | 2-20 |
| 1LE22211AC313EA3 | 1200 | 1   | GP100 | 2-22 |
| 1LE22211AC313GA3 | 1200 | 1   | GP100 | 2-23 |

| Part Number      | HP   | RPM | Type  | Page |
|------------------|------|-----|-------|------|
| 1LE22211AC314AA3 | 1200 | 1   | GP100 | 2-14 |
| 1LE22211AC314EA3 | 1200 | 1   | GP100 | 2-16 |
| 1LE22211AC314GA3 | 1200 | 1   | GP100 | 2-17 |
| 1LE22211CA113AA3 | 3600 | 3   | GP100 | 2-20 |
| 1LE22211CA113EA3 | 3600 | 3   | GP100 | 2-22 |
| 1LE22211CA113GA3 | 3600 | 3   | GP100 | 2-23 |
| 1LE22211CA114AA3 | 3600 | 3   | GP100 | 2-14 |
| 1LE22211CA114EA3 | 3600 | 3   | GP100 | 2-16 |
| 1LE22211CA114GA3 | 3600 | 3   | GP100 | 2-17 |
| 1LE22211CA313AA3 | 3600 | 5   | GP100 | 2-20 |
| 1LE22211CA313EA3 | 3600 | 5   | GP100 | 2-22 |
| 1LE22211CA313GA3 | 3600 | 5   | GP100 | 2-23 |
| 1LE22211CA314AA3 | 3600 | 5   | GP100 | 2-14 |
| 1LE22211CA314EA3 | 3600 | 5   | GP100 | 2-16 |
| 1LE22211CA314GA3 | 3600 | 5   | GP100 | 2-17 |
| 1LE22211CB113AA3 | 1800 | 3   | GP100 | 2-20 |
| 1LE22211CB113EA3 | 1800 | 3   | GP100 | 2-22 |
| 1LE22211CB113GA3 | 1800 | 3   | GP100 | 2-23 |
| 1LE22211CB114AA3 | 1800 | 3   | GP100 | 2-14 |
| 1LE22211CB114EA3 | 1800 | 3   | GP100 | 2-16 |
| 1LE22211CB114GA3 | 1800 | 3   | GP100 | 2-17 |
| 1LE22211CB313AA3 | 1800 | 5   | GP100 | 2-20 |
| 1LE22211CB313EA3 | 1800 | 5   | GP100 | 2-22 |
| 1LE22211CB313GA3 | 1800 | 5   | GP100 | 2-23 |
| 1LE22211CB314AA3 | 1800 | 5   | GP100 | 2-14 |
| 1LE22211CB314EA3 | 1800 | 5   | GP100 | 2-16 |
| 1LE22211CB314GA3 | 1800 | 5   | GP100 | 2-17 |
| 1LE22211CC113AA3 | 1200 | 1.5 | GP100 | 2-20 |
| 1LE22211CC113EA3 | 1200 | 1.5 | GP100 | 2-22 |
| 1LE22211CC113GA3 | 1200 | 1.5 | GP100 | 2-23 |
| 1LE22211CC114AA3 | 1200 | 1.5 | GP100 | 2-14 |
| 1LE22211CC114EA3 | 1200 | 1.5 | GP100 | 2-16 |
| 1LE22211CC114GA3 | 1200 | 1.5 | GP100 | 2-17 |
| 1LE22211CC313AA3 | 1200 | 2   | GP100 | 2-20 |
| 1LE22211CC313EA3 | 1200 | 2   | GP100 | 2-22 |
| 1LE22211CC313GA3 | 1200 | 2   | GP100 | 2-23 |
| 1LE22211CC314AA3 | 1200 | 2   | GP100 | 2-14 |
| 1LE22211CC314EA3 | 1200 | 2   | GP100 | 2-16 |
| 1LE22211CC314GA3 | 1200 | 2   | GP100 | 2-17 |
| 1LE22211CD113AA3 | 900  | 1   | GP100 | 2-20 |
| 1LE22211CD113EA3 | 900  | 1   | GP100 | 2-22 |
| 1LE22211CD113GA3 | 900  | 1   | GP100 | 2-23 |
| 1LE22211CD114AA3 | 900  | 1   | GP100 | 2-14 |
| 1LE22211CD114EA3 | 900  | 1   | GP100 | 2-16 |
| 1LE22211CD114GA3 | 900  | 1   | GP100 | 2-17 |
| 1LE22211CD313AA3 | 900  | 1.5 | GP100 | 2-20 |
| 1LE22211CD313EA3 | 900  | 1.5 | GP100 | 2-22 |
| 1LE22211CD313GA3 | 900  | 1.5 | GP100 | 2-23 |
| 1LE22211CD314AA3 | 900  | 1.5 | GP100 | 2-14 |
| 1LE22211CD314EA3 | 900  | 1.5 | GP100 | 2-16 |
| 1LE22211CD314GA3 | 900  | 1.5 | GP100 | 2-17 |

# Part number index

## SIMOTICS NEMA motors

| Part Number      | HP   | RPM | Type  | Page | Part Number      | HP   | RPM | Type  | Page |
|------------------|------|-----|-------|------|------------------|------|-----|-------|------|
| 1LE22212AA113AA3 | 3600 | 7.5 | GP100 | 2-20 | 1LE22212BA114AA3 | 3600 | 15  | GP100 | 2-14 |
| 1LE22212AA113EA3 | 3600 | 7.5 | GP100 | 2-22 | 1LE22212BA114EA3 | 3600 | 15  | GP100 | 2-16 |
| 1LE22212AA113GA3 | 3600 | 7.5 | GP100 | 2-23 | 1LE22212BA114GA3 | 3600 | 15  | GP100 | 2-17 |
| 1LE22212AA114AA3 | 3600 | 7.5 | GP100 | 2-14 | 1LE22212BA213AA3 | 3600 | 20  | GP100 | 2-20 |
| 1LE22212AA114EA3 | 3600 | 7.5 | GP100 | 2-16 | 1LE22212BA213EA3 | 3600 | 20  | GP100 | 2-22 |
| 1LE22212AA114GA3 | 3600 | 7.5 | GP100 | 2-17 | 1LE22212BA213GA3 | 3600 | 20  | GP100 | 2-23 |
| 1LE22212AA213AA3 | 3600 | 10  | GP100 | 2-20 | 1LE22212BA214AA3 | 3600 | 20  | GP100 | 2-14 |
| 1LE22212AA213EA3 | 3600 | 10  | GP100 | 2-22 | 1LE22212BA214EA3 | 3600 | 20  | GP100 | 2-16 |
| 1LE22212AA213GA3 | 3600 | 10  | GP100 | 2-23 | 1LE22212BA214GA3 | 3600 | 20  | GP100 | 2-17 |
| 1LE22212AA214AA3 | 3600 | 10  | GP100 | 2-14 | 1LE22212BB113AA3 | 1800 | 15  | GP100 | 2-20 |
| 1LE22212AA214EA3 | 3600 | 10  | GP100 | 2-16 | 1LE22212BB113EA3 | 1800 | 15  | GP100 | 2-22 |
| 1LE22212AA214GA3 | 3600 | 10  | GP100 | 2-17 | 1LE22212BB113GA3 | 1800 | 15  | GP100 | 2-23 |
| 1LE22212AB113AA3 | 1800 | 7.5 | GP100 | 2-20 | 1LE22212BB114AA3 | 1800 | 15  | GP100 | 2-14 |
| 1LE22212AB113EA3 | 1800 | 7.5 | GP100 | 2-22 | 1LE22212BB114EA3 | 1800 | 15  | GP100 | 2-16 |
| 1LE22212AB113GA3 | 1800 | 7.5 | GP100 | 2-23 | 1LE22212BB114GA3 | 1800 | 15  | GP100 | 2-17 |
| 1LE22212AB114AA3 | 1800 | 7.5 | GP100 | 2-14 | 1LE22212BB213AA3 | 1800 | 20  | GP100 | 2-20 |
| 1LE22212AB114EA3 | 1800 | 7.5 | GP100 | 2-16 | 1LE22212BB213EA3 | 1800 | 20  | GP100 | 2-22 |
| 1LE22212AB114GA3 | 1800 | 7.5 | GP100 | 2-17 | 1LE22212BB213GA3 | 1800 | 20  | GP100 | 2-23 |
| 1LE22212AB213AA3 | 1800 | 10  | GP100 | 2-20 | 1LE22212BB214AA3 | 1800 | 20  | GP100 | 2-14 |
| 1LE22212AB213EA3 | 1800 | 10  | GP100 | 2-22 | 1LE22212BB214EA3 | 1800 | 20  | GP100 | 2-16 |
| 1LE22212AB213GA3 | 1800 | 10  | GP100 | 2-23 | 1LE22212BB214GA3 | 1800 | 20  | GP100 | 2-17 |
| 1LE22212AB214AA3 | 1800 | 10  | GP100 | 2-14 | 1LE22212BC113AA3 | 1200 | 7.5 | GP100 | 2-20 |
| 1LE22212AB214EA3 | 1800 | 10  | GP100 | 2-16 | 1LE22212BC113EA3 | 1200 | 7.5 | GP100 | 2-22 |
| 1LE22212AB214GA3 | 1800 | 10  | GP100 | 2-17 | 1LE22212BC113GA3 | 1200 | 7.5 | GP100 | 2-23 |
| 1LE22212AC113AA3 | 1200 | 3   | GP100 | 2-20 | 1LE22212BC114AA3 | 1200 | 7.5 | GP100 | 2-14 |
| 1LE22212AC113EA3 | 1200 | 3   | GP100 | 2-22 | 1LE22212BC114EA3 | 1200 | 7.5 | GP100 | 2-16 |
| 1LE22212AC113GA3 | 1200 | 3   | GP100 | 2-23 | 1LE22212BC114GA3 | 1200 | 7.5 | GP100 | 2-17 |
| 1LE22212AC114AA3 | 1200 | 3   | GP100 | 2-14 | 1LE22212BC213AA3 | 1200 | 10  | GP100 | 2-20 |
| 1LE22212AC114EA3 | 1200 | 3   | GP100 | 2-16 | 1LE22212BC213EA3 | 1200 | 10  | GP100 | 2-22 |
| 1LE22212AC114GA3 | 1200 | 3   | GP100 | 2-17 | 1LE22212BC213GA3 | 1200 | 10  | GP100 | 2-23 |
| 1LE22212AC213AA3 | 1200 | 5   | GP100 | 2-20 | 1LE22212BC214AA3 | 1200 | 10  | GP100 | 2-14 |
| 1LE22212AC213EA3 | 1200 | 5   | GP100 | 2-22 | 1LE22212BC214EA3 | 1200 | 10  | GP100 | 2-16 |
| 1LE22212AC213GA3 | 1200 | 5   | GP100 | 2-23 | 1LE22212BC214GA3 | 1200 | 10  | GP100 | 2-17 |
| 1LE22212AC214AA3 | 1200 | 5   | GP100 | 2-14 | 1LE22212BD113AA3 | 900  | 5   | GP100 | 2-20 |
| 1LE22212AC214EA3 | 1200 | 5   | GP100 | 2-16 | 1LE22212BD113EA3 | 900  | 5   | GP100 | 2-22 |
| 1LE22212AC214GA3 | 1200 | 5   | GP100 | 2-17 | 1LE22212BD113GA3 | 900  | 5   | GP100 | 2-23 |
| 1LE22212AD113AA3 | 900  | 2   | GP100 | 2-20 | 1LE22212BD114AA3 | 900  | 5   | GP100 | 2-14 |
| 1LE22212AD113EA3 | 900  | 2   | GP100 | 2-22 | 1LE22212BD114EA3 | 900  | 5   | GP100 | 2-16 |
| 1LE22212AD113GA3 | 900  | 2   | GP100 | 2-23 | 1LE22212BD114GA3 | 900  | 5   | GP100 | 2-17 |
| 1LE22212AD114AA3 | 900  | 2   | GP100 | 2-14 | 1LE22212BD213AA3 | 900  | 7.5 | GP100 | 2-20 |
| 1LE22212AD114EA3 | 900  | 2   | GP100 | 2-16 | 1LE22212BD213EA3 | 900  | 7.5 | GP100 | 2-22 |
| 1LE22212AD114GA3 | 900  | 2   | GP100 | 2-17 | 1LE22212BD213GA3 | 900  | 7.5 | GP100 | 2-23 |
| 1LE22212AD213AA3 | 900  | 3   | GP100 | 2-20 | 1LE22212BD214AA3 | 900  | 7.5 | GP100 | 2-14 |
| 1LE22212AD213EA3 | 900  | 3   | GP100 | 2-22 | 1LE22212BD214EA3 | 900  | 7.5 | GP100 | 2-16 |
| 1LE22212AD213GA3 | 900  | 3   | GP100 | 2-23 | 1LE22212BD214GA3 | 900  | 7.5 | GP100 | 2-17 |
| 1LE22212AD214AA3 | 900  | 3   | GP100 | 2-14 | 1LE22212CB113AA3 | 1800 | 25  | GP100 | 2-20 |
| 1LE22212AD214EA3 | 900  | 3   | GP100 | 2-16 | 1LE22212CB116AA3 | 1800 | 25  | GP100 | 2-14 |
| 1LE22212AD214GA3 | 900  | 3   | GP100 | 2-17 | 1LE22212CB213AA3 | 1800 | 30  | GP100 | 2-20 |
| 1LE22212BA113AA3 | 3600 | 15  | GP100 | 2-20 | 1LE22212CB216AA3 | 1800 | 30  | GP100 | 2-14 |
| 1LE22212BA113EA3 | 3600 | 15  | GP100 | 2-22 | 1LE22212CC113AA3 | 1200 | 15  | GP100 | 2-20 |
| 1LE22212BA113GA3 | 3600 | 15  | GP100 | 2-23 | 1LE22212CC116AA3 | 1200 | 15  | GP100 | 2-14 |

# Part number index

## SIMOTICS NEMA motors

| Part Number      | HP   | RPM | Type  | Page |
|------------------|------|-----|-------|------|
| 1LE22212CC213AA3 | 1200 | 20  | GP100 | 2-20 |
| 1LE22212CC216AA3 | 1200 | 20  | GP100 | 2-14 |
| 1LE22212CD113AA3 | 900  | 10  | GP100 | 2-20 |
| 1LE22212CD116AA3 | 900  | 10  | GP100 | 2-14 |
| 1LE22212CD213AA3 | 900  | 15  | GP100 | 2-20 |
| 1LE22212CD216AA3 | 900  | 15  | GP100 | 2-14 |
| 1LE22212DA113AA3 | 3600 | 25  | GP100 | 2-20 |
| 1LE22212DA116AA3 | 3600 | 25  | GP100 | 2-14 |
| 1LE22212DA213AA3 | 3600 | 30  | GP100 | 2-20 |
| 1LE22212DA216AA3 | 3600 | 30  | GP100 | 2-14 |
| 1LE22213AB113AA3 | 1800 | 40  | GP100 | 2-21 |
| 1LE22213AB116AA3 | 1800 | 40  | GP100 | 2-15 |
| 1LE22213AB213AA3 | 1800 | 50  | GP100 | 2-21 |
| 1LE22213AB216AA3 | 1800 | 50  | GP100 | 2-15 |
| 1LE22213AC113AA3 | 1200 | 25  | GP100 | 2-20 |
| 1LE22213AC116AA3 | 1200 | 25  | GP100 | 2-14 |
| 1LE22213AC213AA3 | 1200 | 30  | GP100 | 2-20 |
| 1LE22213AC216AA3 | 1200 | 30  | GP100 | 2-14 |
| 1LE22213AD113AA3 | 900  | 20  | GP100 | 2-20 |
| 1LE22213AD116AA3 | 900  | 20  | GP100 | 2-14 |
| 1LE22213AD213AA3 | 900  | 25  | GP100 | 2-20 |
| 1LE22213AD216AA3 | 900  | 25  | GP100 | 2-14 |
| 1LE22213BA113AA3 | 3600 | 40  | GP100 | 2-21 |
| 1LE22213BA116AA3 | 3600 | 40  | GP100 | 2-15 |
| 1LE22213BA213AA3 | 3600 | 50  | GP100 | 2-21 |
| 1LE22213BA216AA3 | 3600 | 50  | GP100 | 2-15 |
| 1LE22213CB113AA3 | 1800 | 60  | GP100 | 2-21 |
| 1LE22213CB116AA3 | 1800 | 60  | GP100 | 2-15 |
| 1LE22213CB213AA3 | 1800 | 75  | GP100 | 2-21 |
| 1LE22213CB216AA3 | 1800 | 75  | GP100 | 2-15 |
| 1LE22213CC113AA3 | 1200 | 40  | GP100 | 2-21 |
| 1LE22213CC116AA3 | 1200 | 40  | GP100 | 2-15 |
| 1LE22213CC213AA3 | 1200 | 50  | GP100 | 2-21 |
| 1LE22213CC216AA3 | 1200 | 50  | GP100 | 2-15 |
| 1LE22213CD113AA3 | 900  | 30  | GP100 | 2-20 |
| 1LE22213CD116AA3 | 900  | 30  | GP100 | 2-14 |
| 1LE22213CD213AA3 | 900  | 40  | GP100 | 2-21 |
| 1LE22213CD216AA3 | 900  | 40  | GP100 | 2-15 |
| 1LE22213DA113AA3 | 3600 | 60  | GP100 | 2-21 |
| 1LE22213DA116AA3 | 3600 | 60  | GP100 | 2-15 |
| 1LE22213DA213AA3 | 3600 | 75  | GP100 | 2-21 |
| 1LE22213DA216AA3 | 3600 | 75  | GP100 | 2-15 |
| 1LE22214AB212AA3 | 1800 | 100 | GP100 | 2-15 |
| 1LE22214AB213AA3 | 1800 | 100 | GP100 | 2-21 |
| 1LE22214AC113AA3 | 1200 | 60  | GP100 | 2-21 |
| 1LE22214AC116AA3 | 1200 | 60  | GP100 | 2-15 |
| 1LE22214AC213AA3 | 1200 | 75  | GP100 | 2-21 |
| 1LE22214AC216AA3 | 1200 | 75  | GP100 | 2-15 |
| 1LE22214BA212AA3 | 3600 | 100 | GP100 | 2-15 |
| 1LE22214BA213AA3 | 3600 | 100 | GP100 | 2-21 |
| 1LE22214BB212AA3 | 1800 | 100 | GP100 | 2-15 |

| Part Number      | HP       | RPM        | Type    | Page |
|------------------|----------|------------|---------|------|
| 1LE22214CB112AA3 | 1800     | 125        | GP100   | 2-15 |
| 1LE22214CB113AA3 | 1800     | 125        | GP100   | 2-21 |
| 1LE22214CB212AA3 | 1800     | 150        | GP100   | 2-15 |
| 1LE22214CB213AA3 | 1800     | 150        | GP100   | 2-21 |
| 1LE22214CB312AA3 | 1800     | 200        | GP100   | 2-15 |
| 1LE22214CB313AA3 | 1800     | 200        | GP100   | 2-21 |
| 1LE22214CC112AA3 | 1200     | 100        | GP100   | 2-15 |
| 1LE22214CC113AA3 | 1200     | 100        | GP100   | 2-21 |
| 1LE22214CC212AA3 | 1200     | 125        | GP100   | 2-15 |
| 1LE22214CC213AA3 | 1200     | 125        | GP100   | 2-21 |
| 1LE22214CC312AA3 | 1200     | 150        | GP100   | 2-15 |
| 1LE22214CC313AA3 | 1200     | 150        | GP100   | 2-21 |
| 1LE22214CC512AA3 | 1200     | 200        | GP100   | 2-15 |
| 1LE22214CC513AA3 | 1200     | 200        | GP100   | 2-21 |
| 1LE22214DA112AA3 | 3600     | 125        | GP100   | 2-15 |
| 1LE22214DA113AA3 | 3600     | 125        | GP100   | 2-21 |
| 1LE22214DA212AA3 | 3600     | 150        | GP100   | 2-15 |
| 1LE22214DA213AA3 | 3600     | 150        | GP100   | 2-21 |
| 1LE22214DA312AA3 | 3600     | 200        | GP100   | 2-15 |
| 1LE22214DA313AA3 | 3600     | 200        | GP100   | 2-21 |
| 1LE22214DB112AA3 | 1800     | 125        | GP100   | 2-15 |
| 1LE22214DB113AA3 | 1800     | 125        | GP100   | 2-21 |
| 1LE22214DB212AA3 | 1800     | 150        | GP100   | 2-15 |
| 1LE22214DB213AA3 | 1800     | 150        | GP100   | 2-21 |
| 1LE22214DB312AA3 | 1800     | 200        | GP100   | 2-15 |
| 1LE22214DB313AA3 | 1800     | 200        | GP100   | 2-21 |
| 1LE22214DC112AA3 | 1200     | 100        | GP100   | 2-15 |
| 1LE22214DC212AA3 | 1200     | 125        | GP100   | 2-15 |
| 1LE22214DC213AA3 | 1200     | 125        | GP100   | 2-21 |
| 1LE22214DC312AA3 | 1200     | 150        | GP100   | 2-15 |
| 1LE22214DC313AA3 | 1200     | 150        | GP100   | 2-21 |
| 1LE22214DC512AA3 | 1200     | 200        | GP100   | 2-15 |
| 1LE22214DC513AA3 | 1200     | 200        | GP100   | 2-21 |
| 1LE22214EB112AA3 | 1800     | 125        | GP100   | 2-15 |
| 1LE22214EB113AA3 | 1800     | 125        | GP100   | 2-21 |
| 1LE22214EB212AA3 | 1800     | 150        | GP100   | 2-15 |
| 1LE22214EB213AA3 | 1800     | 150        | GP100   | 2-21 |
| 1LE22214EB312AA3 | 1800     | 200        | GP100   | 2-15 |
| 1LE22214EB313AA3 | 1800     | 200        | GP100   | 2-21 |
| 1LE22214EC212AA3 | 1200     | 125        | GP100   | 2-15 |
| 1LE22214EC213AA3 | 1200     | 125        | GP100   | 2-21 |
| 1LE22214EC312AA3 | 1200     | 150        | GP100   | 2-15 |
| 1LE22214EC313AA3 | 1200     | 150        | GP100   | 2-21 |
| 1LE22214EC512AA3 | 1200     | 200        | GP100   | 2-15 |
| 1LE22214EC513AA3 | 1200     | 200        | GP100   | 2-21 |
| 1LE23011AM240AA3 | 1800/900 | 1 / 0.25   | SD10 MS | 2-84 |
| 1LE23011AM340AA3 | 1800/900 | 1.5 / 0.37 | SD10 MS | 2-84 |
| 1LE23011CM140AA3 | 1800/900 | 2 / 0.5    | SD10 MS | 2-84 |
| 1LE23011CM340AA3 | 1800/900 | 3 / 0.75   | SD10 MS | 2-84 |
| 1LE23011CM440AA3 | 1800/900 | 5 / 1.2    | SD10 MS | 2-84 |
| 1LE23012AM140AA3 | 1800/900 | 5 / 1.2    | SD10 MS | 2-84 |

# Part number index

## SIMOTICS NEMA motors

| Part Number      | HP       | RPM        | Type    | Page |
|------------------|----------|------------|---------|------|
| 1LE23012AM240AA3 | 1800/900 | 7.5 / 1.9  | SD10 MS | 2-84 |
| 1LE23012BM140AA3 | 1800/900 | 10 / 2.5   | SD10 MS | 2-84 |
| 1LE23012BM240AA3 | 1800/900 | 15 / 3.7   | SD10 MS | 2-84 |
| 1LE23012CM140AA3 | 1800/900 | 20 / 5     | SD10 MS | 2-84 |
| 1LE23012CM140AA3 | 1800/900 | 20 / 5     | SD10 MS | 2-84 |
| 1LE23012CM240AA3 | 1800/900 | 25 / 6.2   | SD10 MS | 2-84 |
| 1LE23012CM244AA3 | 1800/900 | 25 / 6.2   | SD10 MS | 2-62 |
| 1LE23013AM140AA3 | 1800/900 | 30 / 7.5   | SD10 MS | 2-84 |
| 1LE23013AM144AA3 | 1800/900 | 30 / 7.5   | SD10 MS | 2-62 |
| 1LE23013AM240AA3 | 1800/900 | 40 / 10    | SD10 MS | 2-84 |
| 1LE23013AM244AA3 | 1800/900 | 40 / 10    | SD10 MS | 2-62 |
| 1LE23013CM140AA3 | 1800/900 | 50 / 12    | SD10 MS | 2-84 |
| 1LE23013CM144AA3 | 1800/900 | 50 / 12    | SD10 MS | 2-62 |
| 1LE23013CM240AA3 | 1800/900 | 60 / 15    | SD10 MS | 2-84 |
| 1LE23013CM244AA3 | 1800/900 | 60 / 15    | SD10 MS | 2-62 |
| 1LE23014AM240AA3 | 1800/900 | 75 / 19    | SD10 MS | 2-84 |
| 1LE23014AM244AA3 | 1800/900 | 75 / 19    | SD10 MS | 2-62 |
| 1LE23014CM140AA3 | 1800/900 | 100 / 25   | SD10 MS | 2-84 |
| 1LE23014CM240AA3 | 1800/900 | 125 / 31   | SD10 MS | 2-84 |
| 1LE23014CM340AA3 | 1800/900 | 150 / 37   | SD10 MS | 2-84 |
| 1LE23014CM540AA3 | 1800/900 | 200 / 50   | SD10 MS | 2-84 |
| 1LE23014CM640AA3 | 1800/900 | 250 / 62.5 | SD10 MS | 2-84 |
| 1LE23014DM140AA3 | 1800/900 | 100 / 25   | SD10 MS | 2-84 |
| 1LE23014DM144AA3 | 1800/900 | 100 / 25   | SD10 MS | 2-84 |
| 1LE23014DM240AA3 | 1800/900 | 125 / 31   | SD10 MS | 2-84 |
| 1LE23014DM244AA3 | 1800/900 | 125 / 31   | SD10 MS | 2-62 |
| 1LE23014DM340AA3 | 1800/900 | 150 / 37   | SD10 MS | 2-84 |
| 1LE23014DM344AA3 | 1800/900 | 150 / 37   | SD10 MS | 2-62 |
| 1LE23014DM540AA3 | 1800/900 | 200 / 50   | SD10 MS | 2-84 |
| 1LE23014DM544AA3 | 1800/900 | 200 / 50   | SD10 MS | 2-62 |
| 1LE23014DM640AA3 | 1800/900 | 250 / 62.5 | SD10 MS | 2-84 |
| 1LE23014DM644AA3 | 1800/900 | 250 / 62.5 | SD10 MS | 2-62 |
| 1LE23014EM140AA3 | 1800/900 | 100 / 25   | SD10 MS | 2-84 |
| 1LE23014EM144AA3 | 1800/900 | 100 / 25   | SD10 MS | 2-84 |
| 1LE23014EM240AA3 | 1800/900 | 125 / 31   | SD10 MS | 2-84 |
| 1LE23014EM244AA3 | 1800/900 | 125 / 31   | SD10 MS | 2-62 |
| 1LE23014EM340AA3 | 1800/900 | 150 / 37   | SD10 MS | 2-84 |
| 1LE23014EM344AA3 | 1800/900 | 150 / 37   | SD10 MS | 2-62 |
| 1LE23014EM540AA3 | 1800/900 | 200 / 50   | SD10 MS | 2-84 |
| 1LE23014EM544AA3 | 1800/900 | 200 / 50   | SD10 MS | 2-62 |
| 1LE23014EM640AA3 | 1800/900 | 250 / 62.5 | SD10 MS | 2-84 |
| 1LE23014EM644AA3 | 1800/900 | 250 / 62.5 | SD10 MS | 2-62 |
| 1LE23111AA214AA3 | 3600     | 1.5        | SD100   | 2-32 |
| 1LE23111AA214GA3 | 3600     | 1.5        | SD100   | 2-33 |
| 1LE23111AA314AA3 | 3600     | 2          | SD100   | 2-32 |
| 1LE23111AA314GA3 | 3600     | 2          | SD100   | 2-33 |
| 1LE23111AB214AA3 | 1800     | 1          | SD100   | 2-32 |
| 1LE23111AB214GA3 | 1800     | 1          | SD100   | 2-33 |
| 1LE23111AB314AA3 | 1800     | 1.5        | SD100   | 2-32 |
| 1LE23111AB314GA3 | 1800     | 1.5        | SD100   | 2-33 |
| 1LE23111AB414AA3 | 1800     | 2          | SD100   | 2-32 |

| Part Number      | HP   | RPM | Type  | Page |
|------------------|------|-----|-------|------|
| 1LE23111AB414GA3 | 1800 | 2   | SD100 | 2-33 |
| 1LE23111AC314AA3 | 1200 | 1   | SD100 | 2-32 |
| 1LE23111AC314GA3 | 1200 | 1   | SD100 | 2-33 |
| 1LE23111CA114AA3 | 3600 | 3   | SD100 | 2-32 |
| 1LE23111CA114GA3 | 3600 | 3   | SD100 | 2-33 |
| 1LE23111CA314AA3 | 3600 | 5   | SD100 | 2-32 |
| 1LE23111CA314GA3 | 3600 | 5   | SD100 | 2-33 |
| 1LE23111CB114AA3 | 1800 | 3   | SD100 | 2-32 |
| 1LE23111CB114GA3 | 1800 | 3   | SD100 | 2-33 |
| 1LE23111CB314AA3 | 1800 | 5   | SD100 | 2-32 |
| 1LE23111CB314GA3 | 1800 | 5   | SD100 | 2-33 |
| 1LE23112AA114AA3 | 3600 | 7.5 | SD100 | 2-32 |
| 1LE23112AA114GA3 | 3600 | 7.5 | SD100 | 2-32 |
| 1LE23112AA214AA3 | 3600 | 10  | SD100 | 2-32 |
| 1LE23112AA214GA3 | 3600 | 10  | SD100 | 2-32 |
| 1LE23112AB114AA3 | 1800 | 7.5 | SD100 | 2-32 |
| 1LE23112AB114GA3 | 1800 | 7.5 | SD100 | 2-32 |
| 1LE23112AB214AA3 | 1800 | 10  | SD100 | 2-32 |
| 1LE23112AB214GA3 | 1800 | 10  | SD100 | 2-32 |
| 1LE23112AC114AA3 | 1200 | 3   | SD100 | 2-32 |
| 1LE23112AC114GA3 | 1200 | 3   | SD100 | 2-33 |
| 1LE23112AC214AA3 | 1200 | 5   | SD100 | 2-32 |
| 1LE23112AC214GA3 | 1200 | 5   | SD100 | 2-33 |
| 1LE23112BA114AA3 | 3600 | 15  | SD100 | 2-32 |
| 1LE23112BA114GA3 | 3600 | 15  | SD100 | 2-32 |
| 1LE23112BA214AA3 | 3600 | 20  | SD100 | 2-32 |
| 1LE23112BA214GA3 | 3600 | 20  | SD100 | 2-32 |
| 1LE23112BB114AA3 | 1800 | 15  | SD100 | 2-32 |
| 1LE23112BB114GA3 | 1800 | 15  | SD100 | 2-32 |
| 1LE23112BB214AA3 | 1800 | 20  | SD100 | 2-32 |
| 1LE23112BB214GA3 | 1800 | 20  | SD100 | 2-32 |
| 1LE23112BC114AA3 | 1200 | 7.5 | SD100 | 2-32 |
| 1LE23112BC114GA3 | 1200 | 7.5 | SD100 | 2-32 |
| 1LE23112BC214AA3 | 1200 | 10  | SD100 | 2-32 |
| 1LE23112BC214GA3 | 1200 | 10  | SD100 | 2-32 |
| 1LE23211AA113AA3 | 3600 | 1   | SD100 | 2-31 |
| 1LE23211AA113GA3 | 3600 | 1   | SD100 | 2-37 |
| 1LE23211AA114AA3 | 3600 | 1   | SD100 | 2-28 |
| 1LE23211AA114GA3 | 3600 | 1   | SD100 | 2-31 |
| 1LE23211AA213AA3 | 3600 | 1.5 | SD100 | 2-34 |
| 1LE23211AA213GA3 | 3600 | 1.5 | SD100 | 2-37 |
| 1LE23211AA214AA3 | 3600 | 1.5 | SD100 | 2-28 |
| 1LE23211AA214GA3 | 3600 | 1.5 | SD100 | 2-31 |
| 1LE23211AA313AA3 | 3600 | 2   | SD100 | 2-34 |
| 1LE23211AA313GA3 | 3600 | 2   | SD100 | 2-37 |
| 1LE23211AA314AA3 | 3600 | 2   | SD100 | 2-28 |
| 1LE23211AA314GA3 | 3600 | 2   | SD100 | 2-31 |
| 1LE23211AB213AA3 | 1800 | 1   | SD100 | 2-34 |
| 1LE23211AB213GA3 | 1800 | 1   | SD100 | 2-37 |
| 1LE23211AB214AA3 | 1800 | 1   | SD100 | 2-28 |
| 1LE23211AB214GA3 | 1800 | 1   | SD100 | 2-31 |

# Part number index

## SIMOTICS NEMA motors

| Part Number      | HP   | RPM | Type  | Page |
|------------------|------|-----|-------|------|
| 1LE23211AB313AA3 | 1800 | 1.5 | SD100 | 2-34 |
| 1LE23211AB313GA3 | 1800 | 1.5 | SD100 | 2-37 |
| 1LE23211AB314AA3 | 1800 | 1.5 | SD100 | 2-28 |
| 1LE23211AB314GA3 | 1800 | 1.5 | SD100 | 2-31 |
| 1LE23211AB413AA3 | 1800 | 2   | SD100 | 2-34 |
| 1LE23211AB413GA3 | 1800 | 2   | SD100 | 2-37 |
| 1LE23211AB414AA3 | 1800 | 2   | SD100 | 2-28 |
| 1LE23211AB414GA3 | 1800 | 2   | SD100 | 2-31 |
| 1LE23211AC313AA3 | 1200 | 1   | SD100 | 2-34 |
| 1LE23211AC313GA3 | 1200 | 1   | SD100 | 2-37 |
| 1LE23211AC314AA3 | 1200 | 1   | SD100 | 2-28 |
| 1LE23211AC314GA3 | 1200 | 1   | SD100 | 2-31 |
| 1LE23211CA113AA3 | 3600 | 3   | SD100 | 2-34 |
| 1LE23211CA113GA3 | 3600 | 3   | SD100 | 2-37 |
| 1LE23211CA114AA3 | 3600 | 3   | SD100 | 2-28 |
| 1LE23211CA114GA3 | 3600 | 3   | SD100 | 2-31 |
| 1LE23211CA313AA3 | 3600 | 5   | SD100 | 2-34 |
| 1LE23211CA313GA3 | 3600 | 5   | SD100 | 2-37 |
| 1LE23211CA314AA3 | 3600 | 5   | SD100 | 2-28 |
| 1LE23211CA314GA3 | 3600 | 5   | SD100 | 2-31 |
| 1LE23211CB113AA3 | 1800 | 3   | SD100 | 2-34 |
| 1LE23211CB113GA3 | 1800 | 3   | SD100 | 2-37 |
| 1LE23211CB114AA3 | 1800 | 3   | SD100 | 2-28 |
| 1LE23211CB114GA3 | 1800 | 3   | SD100 | 2-31 |
| 1LE23211CB313AA3 | 1800 | 5   | SD100 | 2-34 |
| 1LE23211CB313GA3 | 1800 | 5   | SD100 | 2-37 |
| 1LE23211CB314AA3 | 1800 | 5   | SD100 | 2-28 |
| 1LE23211CB314GA3 | 1800 | 5   | SD100 | 2-31 |
| 1LE23211CC113AA3 | 1200 | 1.5 | SD100 | 2-34 |
| 1LE23211CC113GA3 | 1200 | 1.5 | SD100 | 2-37 |
| 1LE23211CC114AA3 | 1200 | 1.5 | SD100 | 2-28 |
| 1LE23211CC114GA3 | 1200 | 1.5 | SD100 | 2-31 |
| 1LE23211CC313AA3 | 1200 | 2   | SD100 | 2-34 |
| 1LE23211CC313GA3 | 1200 | 2   | SD100 | 2-37 |
| 1LE23211CC314AA3 | 1200 | 2   | SD100 | 2-28 |
| 1LE23211CC314GA3 | 1200 | 2   | SD100 | 2-31 |
| 1LE23211CD113AA3 | 900  | 1   | SD100 | 2-34 |
| 1LE23211CD113GA3 | 900  | 1   | SD100 | 2-37 |
| 1LE23211CD114AA3 | 900  | 1   | SD100 | 2-28 |
| 1LE23211CD114GA3 | 900  | 1   | SD100 | 2-31 |
| 1LE23211CD313AA3 | 900  | 1.5 | SD100 | 2-34 |
| 1LE23211CD313GA3 | 900  | 1.5 | SD100 | 2-37 |
| 1LE23211CD314AA3 | 900  | 1.5 | SD100 | 2-28 |
| 1LE23211CD314GA3 | 900  | 1.5 | SD100 | 2-31 |
| 1LE23212AA113AA3 | 3600 | 7.5 | SD100 | 2-34 |
| 1LE23212AA113GA3 | 3600 | 7.5 | SD100 | 2-37 |
| 1LE23212AA114AA3 | 3600 | 7.5 | SD100 | 2-28 |
| 1LE23212AA114GA3 | 3600 | 7.5 | SD100 | 2-31 |
| 1LE23212AA213AA3 | 3600 | 10  | SD100 | 2-34 |
| 1LE23212AA213GA3 | 3600 | 10  | SD100 | 2-37 |
| 1LE23212AA214AA3 | 3600 | 10  | SD100 | 2-28 |

| Part Number      | HP   | RPM | Type  | Page |
|------------------|------|-----|-------|------|
| 1LE23212AA214GA3 | 3600 | 10  | SD100 | 2-31 |
| 1LE23212AB113AA3 | 1800 | 7.5 | SD100 | 2-34 |
| 1LE23212AB113GA3 | 1800 | 7.5 | SD100 | 2-37 |
| 1LE23212AB114AA3 | 1800 | 7.5 | SD100 | 2-28 |
| 1LE23212AB114GA3 | 1800 | 7.5 | SD100 | 2-31 |
| 1LE23212AB213AA3 | 1800 | 10  | SD100 | 2-34 |
| 1LE23212AB213GA3 | 1800 | 10  | SD100 | 2-37 |
| 1LE23212AB214AA3 | 1800 | 10  | SD100 | 2-28 |
| 1LE23212AB214GA3 | 1800 | 10  | SD100 | 2-31 |
| 1LE23212AC113AA3 | 1200 | 3   | SD100 | 2-34 |
| 1LE23212AC113GA3 | 1200 | 3   | SD100 | 2-37 |
| 1LE23212AC114AA3 | 1200 | 3   | SD100 | 2-28 |
| 1LE23212AC114GA3 | 1200 | 3   | SD100 | 2-31 |
| 1LE23212AC213AA3 | 1200 | 5   | SD100 | 2-34 |
| 1LE23212AC213GA3 | 1200 | 5   | SD100 | 2-37 |
| 1LE23212AC214AA3 | 1200 | 5   | SD100 | 2-28 |
| 1LE23212AC214GA3 | 1200 | 5   | SD100 | 2-31 |
| 1LE23212AD113AA3 | 900  | 2   | SD100 | 2-34 |
| 1LE23212AD113GA3 | 900  | 2   | SD100 | 2-37 |
| 1LE23212AD114AA3 | 900  | 2   | SD100 | 2-28 |
| 1LE23212AD114GA3 | 900  | 2   | SD100 | 2-31 |
| 1LE23212AD213AA3 | 900  | 3   | SD100 | 2-34 |
| 1LE23212AD213GA3 | 900  | 3   | SD100 | 2-37 |
| 1LE23212AD214AA3 | 900  | 3   | SD100 | 2-28 |
| 1LE23212AD214GA3 | 900  | 3   | SD100 | 2-31 |
| 1LE23212BA113AA3 | 3600 | 15  | SD100 | 2-34 |
| 1LE23212BA113GA3 | 3600 | 15  | SD100 | 2-37 |
| 1LE23212BA114AA3 | 3600 | 15  | SD100 | 2-28 |
| 1LE23212BA114GA3 | 3600 | 15  | SD100 | 2-31 |
| 1LE23212BA213AA3 | 3600 | 20  | SD100 | 2-34 |
| 1LE23212BA213GA3 | 3600 | 20  | SD100 | 2-37 |
| 1LE23212BA214AA3 | 3600 | 20  | SD100 | 2-28 |
| 1LE23212BA214GA3 | 3600 | 20  | SD100 | 2-31 |
| 1LE23212BB113AA3 | 1800 | 15  | SD100 | 2-34 |
| 1LE23212BB113GA3 | 1800 | 15  | SD100 | 2-37 |
| 1LE23212BB114AA3 | 1800 | 15  | SD100 | 2-28 |
| 1LE23212BB114GA3 | 1800 | 15  | SD100 | 2-31 |
| 1LE23212BB213AA3 | 1800 | 20  | SD100 | 2-34 |
| 1LE23212BB213GA3 | 1800 | 20  | SD100 | 2-37 |
| 1LE23212BB214AA3 | 1800 | 20  | SD100 | 2-28 |
| 1LE23212BB214GA3 | 1800 | 20  | SD100 | 2-31 |
| 1LE23212BC113AA3 | 1200 | 7.5 | SD100 | 2-34 |
| 1LE23212BC113GA3 | 1200 | 7.5 | SD100 | 2-37 |
| 1LE23212BC114AA3 | 1200 | 7.5 | SD100 | 2-28 |
| 1LE23212BC114GA3 | 1200 | 7.5 | SD100 | 2-31 |
| 1LE23212BC213AA3 | 1200 | 10  | SD100 | 2-34 |
| 1LE23212BC213GA3 | 1200 | 10  | SD100 | 2-37 |
| 1LE23212BC214AA3 | 1200 | 10  | SD100 | 2-28 |
| 1LE23212BC214GA3 | 1200 | 10  | SD100 | 2-31 |
| 1LE23212BD113AA3 | 900  | 5   | SD100 | 2-34 |
| 1LE23212BD113GA3 | 900  | 5   | SD100 | 2-37 |

# Part number index

## SIMOTICS NEMA motors

| Part Number      | HP   | RPM | Type  | Page |
|------------------|------|-----|-------|------|
| 1LE23212BD114AA3 | 900  | 5   | SD100 | 2-28 |
| 1LE23212BD114GA3 | 900  | 5   | SD100 | 2-31 |
| 1LE23212BD213AA3 | 900  | 7.5 | SD100 | 2-34 |
| 1LE23212BD213GA3 | 900  | 7.5 | SD100 | 2-37 |
| 1LE23212BD214AA3 | 900  | 7.5 | SD100 | 2-28 |
| 1LE23212BD214GA3 | 900  | 7.5 | SD100 | 2-31 |
| 1LE23212CB112AA3 | 1800 | 25  | SD100 | 2-28 |
| 1LE23212CB113AA3 | 1800 | 25  | SD100 | 2-34 |
| 1LE23212CB212AA3 | 1800 | 30  | SD100 | 2-28 |
| 1LE23212CB213AA3 | 1800 | 30  | SD100 | 2-34 |
| 1LE23212CC113AA3 | 1200 | 15  | SD100 | 2-34 |
| 1LE23212CC116AA3 | 1200 | 15  | SD100 | 2-28 |
| 1LE23212CC213AA3 | 1200 | 20  | SD100 | 2-34 |
| 1LE23212CC216AA3 | 1200 | 20  | SD100 | 2-28 |
| 1LE23212CD113AA3 | 900  | 10  | SD100 | 2-34 |
| 1LE23212CD116AA3 | 900  | 10  | SD100 | 2-28 |
| 1LE23212CD213AA3 | 900  | 15  | SD100 | 2-34 |
| 1LE23212CD216AA3 | 900  | 15  | SD100 | 2-28 |
| 1LE23212DA112AA3 | 3600 | 25  | SD100 | 2-28 |
| 1LE23212DA113AA3 | 3600 | 25  | SD100 | 2-34 |
| 1LE23212DA212AA3 | 3600 | 30  | SD100 | 2-28 |
| 1LE23212DA213AA3 | 3600 | 30  | SD100 | 2-34 |
| 1LE23212DB112AA3 | 1800 | 25  | SD100 | 2-28 |
| 1LE23212DB113AA3 | 1800 | 25  | SD100 | 2-34 |
| 1LE23212DB212AA3 | 1800 | 30  | SD100 | 2-28 |
| 1LE23212DB213AA3 | 1800 | 30  | SD100 | 2-34 |
| 1LE23213AB112AA3 | 1800 | 40  | SD100 | 2-29 |
| 1LE23213AB113AA3 | 1800 | 40  | SD100 | 2-35 |
| 1LE23213AB212AA3 | 1800 | 50  | SD100 | 2-29 |
| 1LE23213AB213AA3 | 1800 | 50  | SD100 | 2-35 |
| 1LE23213AC112AA3 | 1200 | 25  | SD100 | 2-28 |
| 1LE23213AC113AA3 | 1200 | 25  | SD100 | 2-34 |
| 1LE23213AC212AA3 | 1200 | 30  | SD100 | 2-28 |
| 1LE23213AC213AA3 | 1200 | 30  | SD100 | 2-34 |
| 1LE23213AD113AA3 | 900  | 20  | SD100 | 2-34 |
| 1LE23213AD116AA3 | 900  | 20  | SD100 | 2-28 |
| 1LE23213AD212AA3 | 900  | 25  | SD100 | 2-28 |
| 1LE23213AD213AA3 | 900  | 25  | SD100 | 2-34 |
| 1LE23213BA112AA3 | 3600 | 40  | SD100 | 2-29 |
| 1LE23213BA113AA3 | 3600 | 40  | SD100 | 2-35 |
| 1LE23213BA212AA3 | 3600 | 50  | SD100 | 2-29 |
| 1LE23213BA213AA3 | 3600 | 50  | SD100 | 2-35 |
| 1LE23213BB112AA3 | 1800 | 40  | SD100 | 2-29 |
| 1LE23213BB113AA3 | 1800 | 40  | SD100 | 2-35 |
| 1LE23213BB212AA3 | 1800 | 50  | SD100 | 2-29 |
| 1LE23213BB213AA3 | 1800 | 50  | SD100 | 2-35 |
| 1LE23213CB112AA3 | 1800 | 60  | SD100 | 2-29 |
| 1LE23213CB113AA3 | 1800 | 60  | SD100 | 2-35 |
| 1LE23213CB212AA3 | 1800 | 75  | SD100 | 2-29 |
| 1LE23213CB213AA3 | 1800 | 75  | SD100 | 2-35 |
| 1LE23213CC112AA3 | 1200 | 40  | SD100 | 2-29 |

| Part Number      | HP   | RPM | Type  | Page |
|------------------|------|-----|-------|------|
| 1LE23213CC113AA3 | 1200 | 40  | SD100 | 2-35 |
| 1LE23213CC212AA3 | 1200 | 50  | SD100 | 2-29 |
| 1LE23213CC213AA3 | 1200 | 50  | SD100 | 2-35 |
| 1LE23213CD112AA3 | 900  | 30  | SD100 | 2-28 |
| 1LE23213CD113AA3 | 900  | 30  | SD100 | 2-34 |
| 1LE23213CD212AA3 | 900  | 40  | SD100 | 2-29 |
| 1LE23213CD213AA3 | 900  | 40  | SD100 | 2-35 |
| 1LE23213DA112AA3 | 3600 | 60  | SD100 | 2-29 |
| 1LE23213DA113AA3 | 3600 | 60  | SD100 | 2-35 |
| 1LE23213DA212AA3 | 3600 | 75  | SD100 | 2-29 |
| 1LE23213DA213AA3 | 3600 | 75  | SD100 | 2-35 |
| 1LE23213DB112AA3 | 1800 | 60  | SD100 | 2-29 |
| 1LE23213DB113AA3 | 1800 | 60  | SD100 | 2-35 |
| 1LE23213DB212AA3 | 1800 | 75  | SD100 | 2-29 |
| 1LE23213DB213AA3 | 1800 | 75  | SD100 | 2-35 |
| 1LE23214AB212AA3 | 1800 | 100 | SD100 | 2-29 |
| 1LE23214AB213AA3 | 1800 | 100 | SD100 | 2-35 |
| 1LE23214AC112AA3 | 1200 | 60  | SD100 | 2-29 |
| 1LE23214AC113AA3 | 1200 | 60  | SD100 | 2-35 |
| 1LE23214AC212AA3 | 1200 | 75  | SD100 | 2-29 |
| 1LE23214AC213AA3 | 1200 | 75  | SD100 | 2-35 |
| 1LE23214AD112AA3 | 900  | 50  | SD100 | 2-29 |
| 1LE23214AD113AA3 | 900  | 50  | SD100 | 2-35 |
| 1LE23214AD212AA3 | 900  | 60  | SD100 | 2-29 |
| 1LE23214AD213AA3 | 900  | 60  | SD100 | 2-35 |
| 1LE23214BA212AA3 | 3600 | 100 | SD100 | 2-29 |
| 1LE23214BA213AA3 | 3600 | 100 | SD100 | 2-35 |
| 1LE23214BB212AA3 | 1800 | 100 | SD100 | 2-29 |
| 1LE23214BB213AA3 | 1800 | 100 | SD100 | 2-35 |
| 1LE23214CB112AA3 | 1800 | 125 | SD100 | 2-29 |
| 1LE23214CB113AA3 | 1800 | 125 | SD100 | 2-35 |
| 1LE23214CB212AA3 | 1800 | 150 | SD100 | 2-30 |
| 1LE23214CB213AA3 | 1800 | 150 | SD100 | 2-36 |
| 1LE23214CB312AA3 | 1800 | 200 | SD100 | 2-30 |
| 1LE23214CB313AA3 | 1800 | 200 | SD100 | 2-36 |
| 1LE23214CB512AA3 | 1800 | 250 | SD100 | 2-30 |
| 1LE23214CB513AA3 | 1800 | 250 | SD100 | 2-36 |
| 1LE23214CB612AA3 | 1800 | 300 | SD100 | 2-30 |
| 1LE23214CB613AA3 | 1800 | 300 | SD100 | 2-36 |
| 1LE23214CC112AA3 | 1200 | 100 | SD100 | 2-29 |
| 1LE23214CC113AA3 | 1200 | 100 | SD100 | 2-35 |
| 1LE23214CC212AA3 | 1200 | 125 | SD100 | 2-29 |
| 1LE23214CC213AA3 | 1200 | 125 | SD100 | 2-35 |
| 1LE23214CC312AA3 | 1200 | 150 | SD100 | 2-30 |
| 1LE23214CC313AA3 | 1200 | 150 | SD100 | 2-36 |
| 1LE23214CC512AA3 | 1200 | 200 | SD100 | 2-30 |
| 1LE23214CC513AA3 | 1200 | 200 | SD100 | 2-36 |
| 1LE23214CC612AA3 | 1200 | 250 | SD100 | 2-30 |
| 1LE23214CC613AA3 | 1200 | 250 | SD100 | 2-36 |
| 1LE23214CD112AA3 | 900  | 75  | SD100 | 2-29 |
| 1LE23214CD113AA3 | 900  | 75  | SD100 | 2-35 |



# Part number index

## SIMOTICS NEMA motors

| Part Number      | HP   | RPM | Type  | Page |
|------------------|------|-----|-------|------|
| 1LE23214CD212AA3 | 900  | 100 | SD100 | 2-29 |
| 1LE23214CD213AA3 | 900  | 100 | SD100 | 2-35 |
| 1LE23214CD312AA3 | 900  | 125 | SD100 | 2-29 |
| 1LE23214CD313AA3 | 900  | 125 | SD100 | 2-35 |
| 1LE23214CD412AA3 | 900  | 150 | SD100 | 2-30 |
| 1LE23214CD413AA3 | 900  | 150 | SD100 | 2-36 |
| 1LE23214DA112AA3 | 3600 | 125 | SD100 | 2-29 |
| 1LE23214DA113AA3 | 3600 | 125 | SD100 | 2-35 |
| 1LE23214DA212AA3 | 3600 | 150 | SD100 | 2-30 |
| 1LE23214DA213AA3 | 3600 | 150 | SD100 | 2-36 |
| 1LE23214DA312AA3 | 3600 | 200 | SD100 | 2-30 |
| 1LE23214DA313AA3 | 3600 | 200 | SD100 | 2-36 |
| 1LE23214DA512AA3 | 3600 | 250 | SD100 | 2-30 |
| 1LE23214DA513AA3 | 3600 | 250 | SD100 | 2-36 |
| 1LE23214DA612AA3 | 3600 | 300 | SD100 | 2-30 |
| 1LE23214DA613AA3 | 3600 | 300 | SD100 | 2-36 |
| 1LE23214DB112AA3 | 1800 | 125 | SD100 | 2-29 |
| 1LE23214DB113AA3 | 1800 | 125 | SD100 | 2-35 |
| 1LE23214DB212AA3 | 1800 | 150 | SD100 | 2-30 |
| 1LE23214DB213AA3 | 1800 | 150 | SD100 | 2-36 |
| 1LE23214DB312AA3 | 1800 | 200 | SD100 | 2-30 |
| 1LE23214DB313AA3 | 1800 | 200 | SD100 | 2-36 |
| 1LE23214DB512AA3 | 1800 | 250 | SD100 | 2-30 |
| 1LE23214DB513AA3 | 1800 | 250 | SD100 | 2-36 |
| 1LE23214DB612AA3 | 1800 | 300 | SD100 | 2-30 |
| 1LE23214DB613AA3 | 1800 | 300 | SD100 | 2-36 |
| 1LE23214DC112AA3 | 1200 | 100 | SD100 | 2-29 |
| 1LE23214DC113AA3 | 1200 | 100 | SD100 | 2-35 |
| 1LE23214DC212AA3 | 1200 | 125 | SD100 | 2-29 |
| 1LE23214DC213AA3 | 1200 | 125 | SD100 | 2-35 |
| 1LE23214DC312AA3 | 1200 | 150 | SD100 | 2-30 |
| 1LE23214DC313AA3 | 1200 | 150 | SD100 | 2-36 |
| 1LE23214DC512AA3 | 1200 | 200 | SD100 | 2-30 |
| 1LE23214DC513AA3 | 1200 | 200 | SD100 | 2-36 |
| 1LE23214DC612AA3 | 1200 | 250 | SD100 | 2-30 |
| 1LE23214DC613AA3 | 1200 | 250 | SD100 | 2-36 |
| 1LE23214DD112AA3 | 900  | 75  | SD100 | 2-29 |
| 1LE23214DD113AA3 | 900  | 75  | SD100 | 2-35 |
| 1LE23214DD212AA3 | 900  | 100 | SD100 | 2-29 |
| 1LE23214DD213AA3 | 900  | 100 | SD100 | 2-35 |
| 1LE23214DD312AA3 | 900  | 125 | SD100 | 2-29 |
| 1LE23214DD313AA3 | 900  | 125 | SD100 | 2-35 |
| 1LE23214DD412AA3 | 900  | 150 | SD100 | 2-30 |
| 1LE23214DD413AA3 | 900  | 150 | SD100 | 2-36 |
| 1LE23214EB112AA3 | 1800 | 125 | SD100 | 2-29 |
| 1LE23214EB113AA3 | 1800 | 125 | SD100 | 2-35 |
| 1LE23214EB212AA3 | 1800 | 150 | SD100 | 2-30 |
| 1LE23214EB213AA3 | 1800 | 150 | SD100 | 2-36 |
| 1LE23214EB312AA3 | 1800 | 200 | SD100 | 2-30 |
| 1LE23214EB313AA3 | 1800 | 200 | SD100 | 2-36 |
| 1LE23214EB512AA3 | 1800 | 250 | SD100 | 2-30 |

| Part Number      | HP   | RPM | Type           | Page |
|------------------|------|-----|----------------|------|
| 1LE23214EB513AA3 | 1800 | 250 | SD100          | 2-36 |
| 1LE23214EB612AA3 | 1800 | 300 | SD100          | 2-30 |
| 1LE23214EB613AA3 | 1800 | 300 | SD100          | 2-36 |
| 1LE23214EC112AA3 | 1200 | 100 | SD100          | 2-29 |
| 1LE23214EC113AA3 | 1200 | 100 | SD100          | 2-35 |
| 1LE23214EC212AA3 | 1200 | 125 | SD100          | 2-29 |
| 1LE23214EC213AA3 | 1200 | 125 | SD100          | 2-35 |
| 1LE23214EC312AA3 | 1200 | 150 | SD100          | 2-30 |
| 1LE23214EC313AA3 | 1200 | 150 | SD100          | 2-36 |
| 1LE23214EC512AA3 | 1200 | 200 | SD100          | 2-30 |
| 1LE23214EC513AA3 | 1200 | 200 | SD100          | 2-36 |
| 1LE23214EC612AA3 | 1200 | 250 | SD100          | 2-30 |
| 1LE23214EC613AA3 | 1200 | 250 | SD100          | 2-36 |
| 1LE23214ED112AA3 | 900  | 75  | SD100          | 2-29 |
| 1LE23214ED113AA3 | 900  | 75  | SD100          | 2-35 |
| 1LE23214ED212AA3 | 900  | 100 | SD100          | 2-29 |
| 1LE23214ED213AA3 | 900  | 100 | SD100          | 2-35 |
| 1LE23214ED312AA3 | 900  | 125 | SD100          | 2-29 |
| 1LE23214ED313AA3 | 900  | 125 | SD100          | 2-35 |
| 1LE23214ED412AA3 | 900  | 150 | SD100          | 2-30 |
| 1LE23214ED413AA3 | 900  | 150 | SD100          | 2-36 |
| 1LE23214FB212AA3 | 1800 | 350 | SD100          | 2-30 |
| 1LE23214FB213AA3 | 1800 | 350 | SD100          | 2-36 |
| 1LE23214FB312AA3 | 1800 | 400 | SD100          | 2-30 |
| 1LE23214FB313AA3 | 1800 | 400 | SD100          | 2-36 |
| 1LE23214FC112AA3 | 1200 | 300 | SD100          | 2-30 |
| 1LE23214FC113AA3 | 1200 | 300 | SD100          | 2-36 |
| 1LE23214FD112AA3 | 900  | 200 | SD100          | 2-30 |
| 1LE23214FD113AA3 | 900  | 200 | SD100          | 2-36 |
| 1LE23214FD212AA3 | 900  | 250 | SD100          | 2-30 |
| 1LE23214FD213AA3 | 900  | 250 | SD100          | 2-36 |
| 1LE23214GA112AA3 | 3600 | 350 | SD100          | 2-30 |
| 1LE23214GA113AA3 | 3600 | 350 | SD100          | 2-36 |
| 1LE23214GA312AA3 | 3600 | 400 | SD100          | 2-30 |
| 1LE23214GA313AA3 | 3600 | 400 | SD100          | 2-36 |
| 1LE23214GB212AA3 | 1800 | 350 | SD100          | 2-30 |
| 1LE23214GB213AA3 | 1800 | 350 | SD100          | 2-36 |
| 1LE23214GB312AA3 | 1800 | 400 | SD100          | 2-30 |
| 1LE23214GB313AA3 | 1800 | 400 | SD100          | 2-36 |
| 1LE23214GD112AA3 | 900  | 200 | SD100          | 2-30 |
| 1LE23214GD113AA3 | 900  | 200 | SD100          | 2-36 |
| 1LE24111AA212AA3 | 3600 | 1.5 | SD100 IEEEE841 | 2-51 |
| 1LE24111AA312AA3 | 3600 | 2   | SD100 IEEEE841 | 2-51 |
| 1LE24111AB212AA3 | 1800 | 1   | SD100 IEEEE841 | 2-51 |
| 1LE24111AB312AA3 | 1800 | 1.5 | SD100 IEEEE841 | 2-51 |
| 1LE24111AB412AA3 | 1800 | 2   | SD100 IEEEE841 | 2-51 |
| 1LE24111AC312AA3 | 1200 | 1   | SD100 IEEEE841 | 2-51 |
| 1LE24111CA112AA3 | 3600 | 3   | SD100 IEEEE841 | 2-51 |
| 1LE24111CA312AA3 | 3600 | 5   | SD100 IEEEE841 | 2-51 |
| 1LE24111CB112AA3 | 1800 | 3   | SD100 IEEEE841 | 2-51 |
| 1LE24111CB312AA3 | 1800 | 5   | SD100 IEEEE841 | 2-51 |

# Part number index

## SIMOTICS NEMA motors

| Part Number      | HP   | RPM | Type           | Page |
|------------------|------|-----|----------------|------|
| 1LE24112AA112AA3 | 3600 | 7.5 | SD100 IEEEE841 | 2-51 |
| 1LE24112AA212AA3 | 3600 | 10  | SD100 IEEEE841 | 2-51 |
| 1LE24112AB112AA3 | 1800 | 7.5 | SD100 IEEEE841 | 2-51 |
| 1LE24112AB212AA3 | 1800 | 10  | SD100 IEEEE841 | 2-51 |
| 1LE24112AC112AA3 | 1200 | 3   | SD100 IEEEE841 | 2-51 |
| 1LE24112AC212AA3 | 1200 | 5   | SD100 IEEEE841 | 2-51 |
| 1LE24112BA112AA3 | 3600 | 15  | SD100 IEEEE841 | 2-51 |
| 1LE24112BA212AA3 | 3600 | 20  | SD100 IEEEE841 | 2-51 |
| 1LE24112BB112AA3 | 1800 | 15  | SD100 IEEEE841 | 2-51 |
| 1LE24112BB212AA3 | 1800 | 20  | SD100 IEEEE841 | 2-51 |
| 1LE24112BC112AA3 | 1200 | 7.5 | SD100 IEEEE841 | 2-51 |
| 1LE24112BC212AA3 | 1200 | 10  | SD100 IEEEE841 | 2-51 |
| 1LE24211AA112AA3 | 3600 | 1   | SD100 IEEEE841 | 2-46 |
| 1LE24211AA112GA3 | 3600 | 1   | SD100 IEEEE841 | 2-50 |
| 1LE24211AA113AA3 | 3600 | 1   | SD100 IEEEE841 | 2-52 |
| 1LE24211AA113GA3 | 3600 | 1   | SD100 IEEEE841 | 2-56 |
| 1LE24211AA212AA3 | 3600 | 1.5 | SD100 IEEEE841 | 2-46 |
| 1LE24211AA212GA3 | 3600 | 1.5 | SD100 IEEEE841 | 2-50 |
| 1LE24211AA213AA3 | 3600 | 1.5 | SD100 IEEEE841 | 2-52 |
| 1LE24211AA213GA3 | 3600 | 1.5 | SD100 IEEEE841 | 2-56 |
| 1LE24211AA312AA3 | 3600 | 2   | SD100 IEEEE841 | 2-46 |
| 1LE24211AA312GA3 | 3600 | 2   | SD100 IEEEE841 | 2-50 |
| 1LE24211AA313AA3 | 3600 | 2   | SD100 IEEEE841 | 2-52 |
| 1LE24211AA313GA3 | 3600 | 2   | SD100 IEEEE841 | 2-56 |
| 1LE24211AB212AA3 | 1800 | 1   | SD100 IEEEE841 | 2-46 |
| 1LE24211AB212GA3 | 1800 | 1   | SD100 IEEEE841 | 2-50 |
| 1LE24211AB213AA3 | 1800 | 1   | SD100 IEEEE841 | 2-52 |
| 1LE24211AB213GA3 | 1800 | 1   | SD100 IEEEE841 | 2-56 |
| 1LE24211AB312AA3 | 1800 | 1.5 | SD100 IEEEE841 | 2-46 |
| 1LE24211AB312GA3 | 1800 | 1.5 | SD100 IEEEE841 | 2-50 |
| 1LE24211AB313AA3 | 1800 | 1.5 | SD100 IEEEE841 | 2-52 |
| 1LE24211AB313GA3 | 1800 | 1.5 | SD100 IEEEE841 | 2-56 |
| 1LE24211AB412AA3 | 1800 | 2   | SD100 IEEEE841 | 2-46 |
| 1LE24211AB412GA3 | 1800 | 2   | SD100 IEEEE841 | 2-50 |
| 1LE24211AB413AA3 | 1800 | 2   | SD100 IEEEE841 | 2-52 |
| 1LE24211AB413GA3 | 1800 | 2   | SD100 IEEEE841 | 2-56 |
| 1LE24211AC312AA3 | 1200 | 1   | SD100 IEEEE841 | 2-46 |
| 1LE24211AC313AA3 | 1200 | 1   | SD100 IEEEE841 | 2-52 |
| 1LE24211CA112AA3 | 3600 | 3   | SD100 IEEEE841 | 2-46 |
| 1LE24211CA112GA3 | 3600 | 3   | SD100 IEEEE841 | 2-50 |
| 1LE24211CA113AA3 | 3600 | 3   | SD100 IEEEE841 | 2-52 |
| 1LE24211CA113GA3 | 3600 | 3   | SD100 IEEEE841 | 2-56 |
| 1LE24211CA312AA3 | 3600 | 5   | SD100 IEEEE841 | 2-46 |
| 1LE24211CA312GA3 | 3600 | 5   | SD100 IEEEE841 | 2-50 |
| 1LE24211CA313AA3 | 3600 | 5   | SD100 IEEEE841 | 2-52 |
| 1LE24211CA313GA3 | 3600 | 5   | SD100 IEEEE841 | 2-56 |
| 1LE24211CB112AA3 | 1800 | 3   | SD100 IEEEE841 | 2-46 |
| 1LE24211CB112GA3 | 1800 | 3   | SD100 IEEEE841 | 2-50 |
| 1LE24211CB113AA3 | 1800 | 3   | SD100 IEEEE841 | 2-52 |
| 1LE24211CB113GA3 | 1800 | 3   | SD100 IEEEE841 | 2-56 |
| 1LE24211CB312AA3 | 1800 | 5   | SD100 IEEEE841 | 2-46 |

| Part Number      | HP   | RPM | Type           | Page |
|------------------|------|-----|----------------|------|
| 1LE24211CB312GA3 | 1800 | 5   | SD100 IEEEE841 | 2-50 |
| 1LE24211CB313AA3 | 1800 | 5   | SD100 IEEEE841 | 2-52 |
| 1LE24211CB313GA3 | 1800 | 5   | SD100 IEEEE841 | 2-56 |
| 1LE24211CC112AA3 | 1200 | 1.5 | SD100 IEEEE841 | 2-46 |
| 1LE24211CC113AA3 | 1200 | 1.5 | SD100 IEEEE841 | 2-52 |
| 1LE24211CC312AA3 | 1200 | 2   | SD100 IEEEE841 | 2-46 |
| 1LE24211CC313AA3 | 1200 | 2   | SD100 IEEEE841 | 2-52 |
| 1LE24211CD112AA3 | 900  | 1   | SD100 IEEEE841 | 2-46 |
| 1LE24211CD113AA3 | 900  | 1   | SD100 IEEEE841 | 2-52 |
| 1LE24211CD312AA3 | 900  | 1.5 | SD100 IEEEE841 | 2-46 |
| 1LE24211CD313AA3 | 900  | 1.5 | SD100 IEEEE841 | 2-52 |
| 1LE24212AA112AA3 | 3600 | 7.5 | SD100 IEEEE841 | 2-46 |
| 1LE24212AA112GA3 | 3600 | 7.5 | SD100 IEEEE841 | 2-50 |
| 1LE24212AA113AA3 | 3600 | 7.5 | SD100 IEEEE841 | 2-52 |
| 1LE24212AA113GA3 | 3600 | 7.5 | SD100 IEEEE841 | 2-56 |
| 1LE24212AA212AA3 | 3600 | 10  | SD100 IEEEE841 | 2-46 |
| 1LE24212AA212GA3 | 3600 | 10  | SD100 IEEEE841 | 2-50 |
| 1LE24212AA213AA3 | 3600 | 10  | SD100 IEEEE841 | 2-52 |
| 1LE24212AA213GA3 | 3600 | 10  | SD100 IEEEE841 | 2-56 |
| 1LE24212AB112AA3 | 1800 | 7.5 | SD100 IEEEE841 | 2-46 |
| 1LE24212AB112GA3 | 1800 | 7.5 | SD100 IEEEE841 | 2-50 |
| 1LE24212AB113AA3 | 1800 | 7.5 | SD100 IEEEE841 | 2-52 |
| 1LE24212AB113GA3 | 1800 | 7.5 | SD100 IEEEE841 | 2-56 |
| 1LE24212AB212AA3 | 1800 | 10  | SD100 IEEEE841 | 2-46 |
| 1LE24212AB212GA3 | 1800 | 10  | SD100 IEEEE841 | 2-50 |
| 1LE24212AB213AA3 | 1800 | 10  | SD100 IEEEE841 | 2-52 |
| 1LE24212AB213GA3 | 1800 | 10  | SD100 IEEEE841 | 2-56 |
| 1LE24212AC112AA3 | 1200 | 3   | SD100 IEEEE841 | 2-46 |
| 1LE24212AC113AA3 | 1200 | 3   | SD100 IEEEE841 | 2-52 |
| 1LE24212AC212AA3 | 1200 | 5   | SD100 IEEEE841 | 2-46 |
| 1LE24212AC213AA3 | 1200 | 5   | SD100 IEEEE841 | 2-52 |
| 1LE24212AD112AA3 | 900  | 2   | SD100 IEEEE841 | 2-46 |
| 1LE24212AD113AA3 | 900  | 2   | SD100 IEEEE841 | 2-52 |
| 1LE24212AD212AA3 | 900  | 3   | SD100 IEEEE841 | 2-46 |
| 1LE24212AD213AA3 | 900  | 3   | SD100 IEEEE841 | 2-52 |
| 1LE24212BA112AA3 | 3600 | 15  | SD100 IEEEE841 | 2-46 |
| 1LE24212BA112GA3 | 3600 | 15  | SD100 IEEEE841 | 2-50 |
| 1LE24212BA113AA3 | 3600 | 15  | SD100 IEEEE841 | 2-52 |
| 1LE24212BA113GA3 | 3600 | 15  | SD100 IEEEE841 | 2-56 |
| 1LE24212BA212AA3 | 3600 | 20  | SD100 IEEEE841 | 2-46 |
| 1LE24212BA212GA3 | 3600 | 20  | SD100 IEEEE841 | 2-50 |
| 1LE24212BA213AA3 | 3600 | 20  | SD100 IEEEE841 | 2-52 |
| 1LE24212BA213GA3 | 3600 | 20  | SD100 IEEEE841 | 2-56 |
| 1LE24212BB112AA3 | 1800 | 15  | SD100 IEEEE841 | 2-46 |
| 1LE24212BB112GA3 | 1800 | 15  | SD100 IEEEE841 | 2-50 |
| 1LE24212BB113AA3 | 1800 | 15  | SD100 IEEEE841 | 2-52 |
| 1LE24212BB113GA3 | 1800 | 15  | SD100 IEEEE841 | 2-56 |
| 1LE24212BB212AA3 | 1800 | 20  | SD100 IEEEE841 | 2-46 |
| 1LE24212BB212GA3 | 1800 | 20  | SD100 IEEEE841 | 2-50 |
| 1LE24212BB213AA3 | 1800 | 20  | SD100 IEEEE841 | 2-52 |
| 1LE24212BB213GA3 | 1800 | 20  | SD100 IEEEE841 | 2-56 |

# Part number index

## SIMOTICS NEMA motors

| Part Number      | HP   | RPM | Type           | Page |
|------------------|------|-----|----------------|------|
| 1LE24212BC112AA3 | 1200 | 7.5 | SD100 IEEEE841 | 2-46 |
| 1LE24212BC113AA3 | 1200 | 7.5 | SD100 IEEEE841 | 2-52 |
| 1LE24212BC212AA3 | 1200 | 10  | SD100 IEEEE841 | 2-46 |
| 1LE24212BC213AA3 | 1200 | 10  | SD100 IEEEE841 | 2-52 |
| 1LE24212BD112AA3 | 900  | 5   | SD100 IEEEE841 | 2-46 |
| 1LE24212BD113AA3 | 900  | 5   | SD100 IEEEE841 | 2-52 |
| 1LE24212BD212AA3 | 900  | 7.5 | SD100 IEEEE841 | 2-46 |
| 1LE24212BD213AA3 | 900  | 7.5 | SD100 IEEEE841 | 2-52 |
| 1LE24212CB112AA3 | 1800 | 25  | SD100 IEEEE841 | 2-47 |
| 1LE24212CB113AA3 | 1800 | 25  | SD100 IEEEE841 | 2-53 |
| 1LE24212CB212AA3 | 1800 | 30  | SD100 IEEEE841 | 2-47 |
| 1LE24212CB213AA3 | 1800 | 30  | SD100 IEEEE841 | 2-53 |
| 1LE24212CC112AA3 | 1200 | 15  | SD100 IEEEE841 | 2-46 |
| 1LE24212CC113AA3 | 1200 | 15  | SD100 IEEEE841 | 2-52 |
| 1LE24212CC212AA3 | 1200 | 20  | SD100 IEEEE841 | 2-46 |
| 1LE24212CC213AA3 | 1200 | 20  | SD100 IEEEE841 | 2-52 |
| 1LE24212CD112AA3 | 900  | 10  | SD100 IEEEE841 | 2-46 |
| 1LE24212CD113AA3 | 900  | 10  | SD100 IEEEE841 | 2-52 |
| 1LE24212CD212AA3 | 900  | 15  | SD100 IEEEE841 | 2-46 |
| 1LE24212CD213AA3 | 900  | 15  | SD100 IEEEE841 | 2-52 |
| 1LE24212DA112AA3 | 3600 | 25  | SD100 IEEEE841 | 2-47 |
| 1LE24212DA113AA3 | 3600 | 25  | SD100 IEEEE841 | 2-53 |
| 1LE24212DA212AA3 | 3600 | 30  | SD100 IEEEE841 | 2-47 |
| 1LE24212DA213AA3 | 3600 | 30  | SD100 IEEEE841 | 2-53 |
| 1LE24212DB112AA3 | 1800 | 25  | SD100 IEEEE841 | 2-47 |
| 1LE24212DB113AA3 | 1800 | 25  | SD100 IEEEE841 | 2-53 |
| 1LE24212DB212AA3 | 1800 | 30  | SD100 IEEEE841 | 2-47 |
| 1LE24212DB213AA3 | 1800 | 30  | SD100 IEEEE841 | 2-53 |
| 1LE24213AB112AA3 | 1800 | 40  | SD100 IEEEE841 | 2-47 |
| 1LE24213AB113AA3 | 1800 | 40  | SD100 IEEEE841 | 2-53 |
| 1LE24213AB212AA3 | 1800 | 50  | SD100 IEEEE841 | 2-47 |
| 1LE24213AB213AA3 | 1800 | 50  | SD100 IEEEE841 | 2-53 |
| 1LE24213AC112AA3 | 1200 | 25  | SD100 IEEEE841 | 2-47 |
| 1LE24213AC113AA3 | 1200 | 25  | SD100 IEEEE841 | 2-53 |
| 1LE24213AC212AA3 | 1200 | 30  | SD100 IEEEE841 | 2-47 |
| 1LE24213AC213AA3 | 1200 | 30  | SD100 IEEEE841 | 2-53 |
| 1LE24213AD112AA3 | 900  | 20  | SD100 IEEEE841 | 2-46 |
| 1LE24213AD113AA3 | 900  | 20  | SD100 IEEEE841 | 2-52 |
| 1LE24213AD212AA3 | 900  | 25  | SD100 IEEEE841 | 2-47 |
| 1LE24213AD213AA3 | 900  | 25  | SD100 IEEEE841 | 2-53 |
| 1LE24213BA112AA3 | 3600 | 40  | SD100 IEEEE841 | 2-47 |
| 1LE24213BA113AA3 | 3600 | 40  | SD100 IEEEE841 | 2-53 |
| 1LE24213BA212AA3 | 3600 | 50  | SD100 IEEEE841 | 2-47 |
| 1LE24213BA213AA3 | 3600 | 50  | SD100 IEEEE841 | 2-53 |
| 1LE24213BB112AA3 | 1800 | 40  | SD100 IEEEE841 | 2-47 |
| 1LE24213BB113AA3 | 1800 | 40  | SD100 IEEEE841 | 2-53 |
| 1LE24213BB212AA3 | 1800 | 50  | SD100 IEEEE841 | 2-47 |
| 1LE24213BB213AA3 | 1800 | 50  | SD100 IEEEE841 | 2-53 |
| 1LE24213CB112AA3 | 1800 | 60  | SD100 IEEEE841 | 2-47 |
| 1LE24213CB113AA3 | 1800 | 60  | SD100 IEEEE841 | 2-53 |
| 1LE24213CB212AA3 | 1800 | 75  | SD100 IEEEE841 | 2-47 |

| Part Number      | HP   | RPM | Type           | Page |
|------------------|------|-----|----------------|------|
| 1LE24213CB213AA3 | 1800 | 75  | SD100 IEEEE841 | 2-53 |
| 1LE24213CC112AA3 | 1200 | 40  | SD100 IEEEE841 | 2-47 |
| 1LE24213CC113AA3 | 1200 | 40  | SD100 IEEEE841 | 2-53 |
| 1LE24213CC212AA3 | 1200 | 50  | SD100 IEEEE841 | 2-47 |
| 1LE24213CC213AA3 | 1200 | 50  | SD100 IEEEE841 | 2-53 |
| 1LE24213CD112AA3 | 900  | 30  | SD100 IEEEE841 | 2-47 |
| 1LE24213CD113AA3 | 900  | 30  | SD100 IEEEE841 | 2-53 |
| 1LE24213CD212AA3 | 900  | 40  | SD100 IEEEE841 | 2-47 |
| 1LE24213CD213AA3 | 900  | 40  | SD100 IEEEE841 | 2-53 |
| 1LE24213DA112AA3 | 3600 | 60  | SD100 IEEEE841 | 2-47 |
| 1LE24213DA113AA3 | 3600 | 60  | SD100 IEEEE841 | 2-53 |
| 1LE24213DA212AA3 | 3600 | 75  | SD100 IEEEE841 | 2-47 |
| 1LE24213DA213AA3 | 3600 | 75  | SD100 IEEEE841 | 2-53 |
| 1LE24213DB112AA3 | 1800 | 60  | SD100 IEEEE841 | 2-47 |
| 1LE24213DB113AA3 | 1800 | 60  | SD100 IEEEE841 | 2-53 |
| 1LE24213DB212AA3 | 1800 | 75  | SD100 IEEEE841 | 2-47 |
| 1LE24213DB213AA3 | 1800 | 75  | SD100 IEEEE841 | 2-53 |
| 1LE24214AB212AA3 | 1800 | 100 | SD100 IEEEE841 | 2-48 |
| 1LE24214AB213AA3 | 1800 | 100 | SD100 IEEEE841 | 2-54 |
| 1LE24214AC112AA3 | 1200 | 60  | SD100 IEEEE841 | 2-47 |
| 1LE24214AC113AA3 | 1200 | 60  | SD100 IEEEE841 | 2-53 |
| 1LE24214AC212AA3 | 1200 | 75  | SD100 IEEEE841 | 2-47 |
| 1LE24214AC213AA3 | 1200 | 75  | SD100 IEEEE841 | 2-53 |
| 1LE24214AD112AA3 | 900  | 50  | SD100 IEEEE841 | 2-47 |
| 1LE24214AD113AA3 | 900  | 50  | SD100 IEEEE841 | 2-53 |
| 1LE24214AD212AA3 | 900  | 60  | SD100 IEEEE841 | 2-47 |
| 1LE24214AD213AA3 | 900  | 60  | SD100 IEEEE841 | 2-53 |
| 1LE24214BA212AA3 | 3600 | 100 | SD100 IEEEE841 | 2-48 |
| 1LE24214BA213AA3 | 3600 | 100 | SD100 IEEEE841 | 2-54 |
| 1LE24214BB212AA3 | 1800 | 100 | SD100 IEEEE841 | 2-48 |
| 1LE24214BB213AA3 | 1800 | 100 | SD100 IEEEE841 | 2-54 |
| 1LE24214CB112AA3 | 1800 | 125 | SD100 IEEEE841 | 2-48 |
| 1LE24214CB113AA3 | 1800 | 125 | SD100 IEEEE841 | 2-54 |
| 1LE24214CB212AA3 | 1800 | 150 | SD100 IEEEE841 | 2-48 |
| 1LE24214CB213AA3 | 1800 | 150 | SD100 IEEEE841 | 2-54 |
| 1LE24214CB312AA3 | 1800 | 200 | SD100 IEEEE841 | 2-48 |
| 1LE24214CB313AA3 | 1800 | 200 | SD100 IEEEE841 | 2-54 |
| 1LE24214CB512AA3 | 1800 | 250 | SD100 IEEEE841 | 2-49 |
| 1LE24214CB513AA3 | 1800 | 250 | SD100 IEEEE841 | 2-55 |
| 1LE24214CC112AA3 | 1200 | 100 | SD100 IEEEE841 | 2-48 |
| 1LE24214CC113AA3 | 1200 | 100 | SD100 IEEEE841 | 2-54 |
| 1LE24214CC212AA3 | 1200 | 125 | SD100 IEEEE841 | 2-48 |
| 1LE24214CC213AA3 | 1200 | 125 | SD100 IEEEE841 | 2-54 |
| 1LE24214CC312AA3 | 1200 | 150 | SD100 IEEEE841 | 2-48 |
| 1LE24214CC313AA3 | 1200 | 150 | SD100 IEEEE841 | 2-54 |
| 1LE24214CC512AA3 | 1200 | 200 | SD100 IEEEE841 | 2-48 |
| 1LE24214CC513AA3 | 1200 | 200 | SD100 IEEEE841 | 2-54 |
| 1LE24214CC612AA3 | 1200 | 250 | SD100 IEEEE841 | 2-49 |
| 1LE24214CC613AA3 | 1200 | 250 | SD100 IEEEE841 | 2-55 |
| 1LE24214CD112AA3 | 900  | 75  | SD100 IEEEE841 | 2-47 |
| 1LE24214CD113AA3 | 900  | 75  | SD100 IEEEE841 | 2-53 |

# Part number index

## SIMOTICS NEMA motors

| Part Number      | HP   | RPM | Type           | Page |
|------------------|------|-----|----------------|------|
| 1LE24214CD212AA3 | 900  | 100 | SD100 IEEEE841 | 2-48 |
| 1LE24214CD213AA3 | 900  | 100 | SD100 IEEEE841 | 2-54 |
| 1LE24214CD312AA3 | 900  | 125 | SD100 IEEEE841 | 2-48 |
| 1LE24214CD313AA3 | 900  | 125 | SD100 IEEEE841 | 2-54 |
| 1LE24214CD512AA3 | 900  | 150 | SD100 IEEEE841 | 2-48 |
| 1LE24214CD513AA3 | 900  | 150 | SD100 IEEEE841 | 2-54 |
| 1LE24214DA112AA3 | 3600 | 125 | SD100 IEEEE841 | 2-48 |
| 1LE24214DA113AA3 | 3600 | 125 | SD100 IEEEE841 | 2-54 |
| 1LE24214DA212AA3 | 3600 | 150 | SD100 IEEEE841 | 2-48 |
| 1LE24214DA213AA3 | 3600 | 150 | SD100 IEEEE841 | 2-54 |
| 1LE24214DA312AA3 | 3600 | 200 | SD100 IEEEE841 | 2-48 |
| 1LE24214DA313AA3 | 3600 | 200 | SD100 IEEEE841 | 2-54 |
| 1LE24214DA512AA3 | 3600 | 250 | SD100 IEEEE841 | 2-49 |
| 1LE24214DA513AA3 | 3600 | 250 | SD100 IEEEE841 | 2-55 |
| 1LE24214DA612AA3 | 3600 | 300 | SD100 IEEEE841 | 2-49 |
| 1LE24214DA613AA3 | 3600 | 300 | SD100 IEEEE841 | 2-55 |
| 1LE24214DB112AA3 | 1800 | 125 | SD100 IEEEE841 | 2-48 |
| 1LE24214DB113AA3 | 1800 | 125 | SD100 IEEEE841 | 2-54 |
| 1LE24214DB212AA3 | 1800 | 150 | SD100 IEEEE841 | 2-48 |
| 1LE24214DB213AA3 | 1800 | 150 | SD100 IEEEE841 | 2-54 |
| 1LE24214DB312AA3 | 1800 | 200 | SD100 IEEEE841 | 2-48 |
| 1LE24214DB313AA3 | 1800 | 200 | SD100 IEEEE841 | 2-54 |
| 1LE24214DB512AA3 | 1800 | 250 | SD100 IEEEE841 | 2-49 |
| 1LE24214DB513AA3 | 1800 | 250 | SD100 IEEEE841 | 2-55 |
| 1LE24214DC112AA3 | 1200 | 100 | SD100 IEEEE841 | 2-48 |
| 1LE24214DC113AA3 | 1200 | 100 | SD100 IEEEE841 | 2-54 |
| 1LE24214DC212AA3 | 1200 | 125 | SD100 IEEEE841 | 2-48 |
| 1LE24214DC213AA3 | 1200 | 125 | SD100 IEEEE841 | 2-54 |
| 1LE24214DC312AA3 | 1200 | 150 | SD100 IEEEE841 | 2-48 |
| 1LE24214DC313AA3 | 1200 | 150 | SD100 IEEEE841 | 2-54 |
| 1LE24214DC512AA3 | 1200 | 200 | SD100 IEEEE841 | 2-48 |
| 1LE24214DC513AA3 | 1200 | 200 | SD100 IEEEE841 | 2-54 |
| 1LE24214DC612AA3 | 1200 | 250 | SD100 IEEEE841 | 2-49 |
| 1LE24214DC613AA3 | 1200 | 250 | SD100 IEEEE841 | 2-55 |
| 1LE24214DD112AA3 | 900  | 75  | SD100 IEEEE841 | 2-47 |
| 1LE24214DD113AA3 | 900  | 75  | SD100 IEEEE841 | 2-53 |
| 1LE24214DD212AA3 | 900  | 100 | SD100 IEEEE841 | 2-48 |
| 1LE24214DD213AA3 | 900  | 100 | SD100 IEEEE841 | 2-54 |
| 1LE24214DD312AA3 | 900  | 125 | SD100 IEEEE841 | 2-48 |
| 1LE24214DD313AA3 | 900  | 125 | SD100 IEEEE841 | 2-54 |
| 1LE24214DD512AA3 | 900  | 150 | SD100 IEEEE841 | 2-48 |
| 1LE24214DD513AA3 | 900  | 150 | SD100 IEEEE841 | 2-54 |
| 1LE24214EB112AA3 | 1800 | 125 | SD100 IEEEE841 | 2-48 |
| 1LE24214EB113AA3 | 1800 | 125 | SD100 IEEEE841 | 2-54 |
| 1LE24214EB212AA3 | 1800 | 150 | SD100 IEEEE841 | 2-48 |
| 1LE24214EB213AA3 | 1800 | 150 | SD100 IEEEE841 | 2-54 |
| 1LE24214EB312AA3 | 1800 | 200 | SD100 IEEEE841 | 2-48 |
| 1LE24214EB313AA3 | 1800 | 200 | SD100 IEEEE841 | 2-54 |
| 1LE24214EB512AA3 | 1800 | 250 | SD100 IEEEE841 | 2-49 |
| 1LE24214EB513AA3 | 1800 | 250 | SD100 IEEEE841 | 2-55 |
| 1LE24214EC112AA3 | 1200 | 100 | SD100 IEEEE841 | 2-48 |

| Part Number      | HP   | RPM | Type           | Page |
|------------------|------|-----|----------------|------|
| 1LE24214EC113AA3 | 1200 | 100 | SD100 IEEEE841 | 2-54 |
| 1LE24214EC212AA3 | 1200 | 125 | SD100 IEEEE841 | 2-48 |
| 1LE24214EC213AA3 | 1200 | 125 | SD100 IEEEE841 | 2-54 |
| 1LE24214EC312AA3 | 1200 | 150 | SD100 IEEEE841 | 2-48 |
| 1LE24214EC313AA3 | 1200 | 150 | SD100 IEEEE841 | 2-54 |
| 1LE24214EC512AA3 | 1200 | 200 | SD100 IEEEE841 | 2-48 |
| 1LE24214EC513AA3 | 1200 | 200 | SD100 IEEEE841 | 2-54 |
| 1LE24214EC612AA3 | 1200 | 250 | SD100 IEEEE841 | 2-49 |
| 1LE24214EC613AA3 | 1200 | 250 | SD100 IEEEE841 | 2-55 |
| 1LE24214ED112AA3 | 900  | 75  | SD100 IEEEE841 | 2-47 |
| 1LE24214ED113AA3 | 900  | 75  | SD100 IEEEE841 | 2-53 |
| 1LE24214ED212AA3 | 900  | 100 | SD100 IEEEE841 | 2-48 |
| 1LE24214ED213AA3 | 900  | 100 | SD100 IEEEE841 | 2-54 |
| 1LE24214ED312AA3 | 900  | 125 | SD100 IEEEE841 | 2-48 |
| 1LE24214ED313AA3 | 900  | 125 | SD100 IEEEE841 | 2-54 |
| 1LE24214ED512AA3 | 900  | 150 | SD100 IEEEE841 | 2-48 |
| 1LE24214ED513AA3 | 900  | 150 | SD100 IEEEE841 | 2-54 |
| 1LE24214FB112AA3 | 1800 | 300 | SD100 IEEEE841 | 2-49 |
| 1LE24214FB113AA3 | 1800 | 300 | SD100 IEEEE841 | 2-55 |
| 1LE24214FB212AA3 | 1800 | 350 | SD100 IEEEE841 | 2-49 |
| 1LE24214FB213AA3 | 1800 | 350 | SD100 IEEEE841 | 2-55 |
| 1LE24214FB312AA3 | 1800 | 400 | SD100 IEEEE841 | 2-49 |
| 1LE24214FB313AA3 | 1800 | 400 | SD100 IEEEE841 | 2-55 |
| 1LE24214FC112AA3 | 1200 | 300 | SD100 IEEEE841 | 2-49 |
| 1LE24214FC113AA3 | 1200 | 300 | SD100 IEEEE841 | 2-55 |
| 1LE24214FD112AA3 | 900  | 200 | SD100 IEEEE841 | 2-48 |
| 1LE24214FD113AA3 | 900  | 200 | SD100 IEEEE841 | 2-54 |
| 1LE24214FD212AA3 | 900  | 250 | SD100 IEEEE841 | 2-49 |
| 1LE24214FD213AA3 | 900  | 250 | SD100 IEEEE841 | 2-55 |
| 1LE24214GA112AA3 | 3600 | 350 | SD100 IEEEE841 | 2-49 |
| 1LE24214GA113AA3 | 3600 | 350 | SD100 IEEEE841 | 2-55 |
| 1LE24214GA312AA3 | 3600 | 400 | SD100 IEEEE841 | 2-49 |
| 1LE24214GA313AA3 | 3600 | 400 | SD100 IEEEE841 | 2-55 |
| 1LE24214GB112AA3 | 1800 | 300 | SD100 IEEEE841 | 2-49 |
| 1LE24214GB113AA3 | 1800 | 300 | SD100 IEEEE841 | 2-55 |
| 1LE24214GB212AA3 | 1800 | 350 | SD100 IEEEE841 | 2-49 |
| 1LE24214GB213AA3 | 1800 | 350 | SD100 IEEEE841 | 2-55 |
| 1LE24214GB312AA3 | 1800 | 400 | SD100 IEEEE841 | 2-49 |
| 1LE24214GB313AA3 | 1800 | 400 | SD100 IEEEE841 | 2-55 |
| 1LE24214GC112AA3 | 1200 | 300 | SD100 IEEEE841 | 2-49 |
| 1LE24214GC113AA3 | 1200 | 300 | SD100 IEEEE841 | 2-55 |
| 1LE24221CB312AA3 | 1800 | 5   | SD661          | 2-62 |
| 1LE24221CB313AA3 | 1800 | 5   | SD661          | 2-62 |
| 1LE24222AB112AA3 | 1800 | 7.5 | SD661          | 2-62 |
| 1LE24222AB113AA3 | 1800 | 7.5 | SD661          | 2-62 |
| 1LE24222AB212AA3 | 1800 | 10  | SD661          | 2-62 |
| 1LE24222AB213AA3 | 1800 | 10  | SD661          | 2-62 |
| 1LE24222BB112AA3 | 1800 | 15  | SD661          | 2-62 |
| 1LE24222BB113AA3 | 1800 | 15  | SD661          | 2-62 |
| 1LE24222BB212AA3 | 1800 | 20  | SD661          | 2-62 |
| 1LE24222BB213AA3 | 1800 | 20  | SD661          | 2-62 |

# Part number index

## SIMOTICS NEMA motors

| Part Number      | HP   | RPM | Type  | Page |
|------------------|------|-----|-------|------|
| 1LE24222BC112AA3 | 1200 | 7.5 | SD661 | 2-62 |
| 1LE24222BC212AA3 | 1200 | 10  | SD661 | 2-62 |
| 1LE24222CB112AA3 | 1800 | 25  | SD661 | 2-62 |
| 1LE24222CB113AA3 | 1800 | 25  | SD661 | 2-62 |
| 1LE24222CB212AA3 | 1800 | 30  | SD661 | 2-62 |
| 1LE24222CB213AA3 | 1800 | 30  | SD661 | 2-62 |
| 1LE24222CC112AA3 | 1200 | 15  | SD661 | 2-62 |
| 1LE24222CC212AA3 | 1200 | 20  | SD661 | 2-62 |
| 1LE24223AB112AA3 | 1800 | 40  | SD661 | 2-62 |
| 1LE24223AB113AA3 | 1800 | 40  | SD661 | 2-62 |
| 1LE24223AB212AA3 | 1800 | 50  | SD661 | 2-62 |
| 1LE24223AB213AA3 | 1800 | 50  | SD661 | 2-62 |
| 1LE24223AC112AA3 | 1200 | 25  | SD661 | 2-62 |
| 1LE24223AC212AA3 | 1200 | 30  | SD661 | 2-62 |
| 1LE24223CB112AA3 | 1800 | 60  | SD661 | 2-62 |
| 1LE24223CB113AA3 | 1800 | 60  | SD661 | 2-62 |
| 1LE24223CB212AA3 | 1800 | 75  | SD661 | 2-62 |
| 1LE24223CB213AA3 | 1800 | 75  | SD661 | 2-62 |
| 1LE24223CC112AA3 | 1200 | 40  | SD661 | 2-62 |
| 1LE24223CC212AA3 | 1200 | 50  | SD661 | 2-62 |
| 1MB21211AA213AG3 | 3600 | 1.5 | XP100 | 2-70 |
| 1MB21211AA214AG3 | 3600 | 1.5 | XP100 | 2-66 |
| 1MB21211AA216LG3 | 3600 | 1.5 | XP100 | 2-69 |
| 1MB21211AA313AG3 | 3600 | 2   | XP100 | 2-70 |
| 1MB21211AA314AG3 | 3600 | 2   | XP100 | 2-66 |
| 1MB21211AA316LG3 | 3600 | 2   | XP100 | 2-69 |
| 1MB21211AB213AG3 | 1800 | 1   | XP100 | 2-70 |
| 1MB21211AB214AG3 | 1800 | 1   | XP100 | 2-66 |
| 1MB21211AB216LG3 | 1800 | 1   | XP100 | 2-69 |
| 1MB21211AB313AG3 | 1800 | 1.5 | XP100 | 2-70 |
| 1MB21211AB314AG3 | 1800 | 1.5 | XP100 | 2-66 |
| 1MB21211AB316LG3 | 1800 | 1.5 | XP100 | 2-69 |
| 1MB21211AB413AG3 | 1800 | 2   | XP100 | 2-70 |
| 1MB21211AB414AG3 | 1800 | 2   | XP100 | 2-66 |
| 1MB21211AB416LG3 | 1800 | 2   | XP100 | 2-69 |
| 1MB21211AC313AG3 | 1200 | 1   | XP100 | 2-70 |
| 1MB21211AC314AG3 | 1200 | 1   | XP100 | 2-66 |
| 1MB21211AC316LG3 | 1200 | 1   | XP100 | 2-69 |
| 1MB21211CA113AG3 | 3600 | 3   | XP100 | 2-70 |
| 1MB21211CA114AG3 | 3600 | 3   | XP100 | 2-66 |
| 1MB21211CA116LG3 | 3600 | 3   | XP100 | 2-69 |
| 1MB21211CA313AG3 | 3600 | 5   | XP100 | 2-70 |
| 1MB21211CA314AG3 | 3600 | 5   | XP100 | 2-66 |
| 1MB21211CA316LG3 | 3600 | 5   | XP100 | 2-69 |
| 1MB21211CB113AG3 | 1800 | 3   | XP100 | 2-70 |
| 1MB21211CB114AG3 | 1800 | 3   | XP100 | 2-66 |
| 1MB21211CB116LG3 | 1800 | 3   | XP100 | 2-69 |
| 1MB21211CB313AG3 | 1800 | 5   | XP100 | 2-70 |
| 1MB21211CB314AG3 | 1800 | 5   | XP100 | 2-66 |
| 1MB21211CB316LG3 | 1800 | 5   | XP100 | 2-69 |
| 1MB21211CC113AG3 | 1200 | 1.5 | XP100 | 2-70 |

| Part Number      | HP   | RPM | Type  | Page |
|------------------|------|-----|-------|------|
| 1MB21211CC114AG3 | 1200 | 1.5 | XP100 | 2-66 |
| 1MB21211CC116LG3 | 1200 | 1.5 | XP100 | 2-69 |
| 1MB21211CC313AG3 | 1200 | 2   | XP100 | 2-70 |
| 1MB21211CC314AG3 | 1200 | 2   | XP100 | 2-66 |
| 1MB21211CC316LG3 | 1200 | 2   | XP100 | 2-69 |
| 1MB21211CD113AG3 | 900  | 1   | XP100 | 2-70 |
| 1MB21211CD114AG3 | 900  | 1   | XP100 | 2-66 |
| 1MB21211CD116LG3 | 900  | 1   | XP100 | 2-69 |
| 1MB21211CD313AG3 | 900  | 1.5 | XP100 | 2-70 |
| 1MB21211CD314AG3 | 900  | 1.5 | XP100 | 2-66 |
| 1MB21211CD316LG3 | 900  | 1.5 | XP100 | 2-69 |
| 1MB21212AA113AG3 | 3600 | 7.5 | XP100 | 2-70 |
| 1MB21212AA114AG3 | 3600 | 7.5 | XP100 | 2-66 |
| 1MB21212AA116LG3 | 3600 | 7.5 | XP100 | 2-69 |
| 1MB21212AA213AG3 | 3600 | 10  | XP100 | 2-70 |
| 1MB21212AA214AG3 | 3600 | 10  | XP100 | 2-66 |
| 1MB21212AA216LG3 | 3600 | 10  | XP100 | 2-69 |
| 1MB21212AB113AG3 | 1800 | 7.5 | XP100 | 2-70 |
| 1MB21212AB114AG3 | 1800 | 7.5 | XP100 | 2-66 |
| 1MB21212AB116LG3 | 1800 | 7.5 | XP100 | 2-69 |
| 1MB21212AB213AG3 | 1800 | 10  | XP100 | 2-70 |
| 1MB21212AB214AG3 | 1800 | 10  | XP100 | 2-66 |
| 1MB21212AB216LG3 | 1800 | 10  | XP100 | 2-69 |
| 1MB21212AC113AG3 | 1200 | 3   | XP100 | 2-70 |
| 1MB21212AC114AG3 | 1200 | 3   | XP100 | 2-66 |
| 1MB21212AC116LG3 | 1200 | 3   | XP100 | 2-69 |
| 1MB21212AC213AG3 | 1200 | 5   | XP100 | 2-70 |
| 1MB21212AC214AG3 | 1200 | 5   | XP100 | 2-66 |
| 1MB21212AC216LG3 | 1200 | 5   | XP100 | 2-69 |
| 1MB21212AD113AG3 | 900  | 2   | XP100 | 2-70 |
| 1MB21212AD114AG3 | 900  | 2   | XP100 | 2-66 |
| 1MB21212AD116LG3 | 900  | 2   | XP100 | 2-69 |
| 1MB21212AD213AG3 | 900  | 3   | XP100 | 2-70 |
| 1MB21212AD214AG3 | 900  | 3   | XP100 | 2-66 |
| 1MB21212AD216LG3 | 900  | 3   | XP100 | 2-69 |
| 1MB21212BA113AG3 | 3600 | 15  | XP100 | 2-70 |
| 1MB21212BA114AG3 | 3600 | 15  | XP100 | 2-66 |
| 1MB21212BA116LG3 | 3600 | 15  | XP100 | 2-69 |
| 1MB21212BA213AG3 | 3600 | 20  | XP100 | 2-70 |
| 1MB21212BA214AG3 | 3600 | 20  | XP100 | 2-66 |
| 1MB21212BA216LG3 | 3600 | 20  | XP100 | 2-69 |
| 1MB21212BB113AG3 | 1800 | 15  | XP100 | 2-70 |
| 1MB21212BB114AG3 | 1800 | 15  | XP100 | 2-66 |
| 1MB21212BB116LG3 | 1800 | 15  | XP100 | 2-69 |
| 1MB21212BB213AG3 | 1800 | 20  | XP100 | 2-70 |
| 1MB21212BB214AG3 | 1800 | 20  | XP100 | 2-66 |
| 1MB21212BB216LG3 | 1800 | 20  | XP100 | 2-69 |
| 1MB21212BC113AG3 | 1200 | 7.5 | XP100 | 2-70 |
| 1MB21212BC114AG3 | 1200 | 7.5 | XP100 | 2-66 |
| 1MB21212BC116LG3 | 1200 | 7.5 | XP100 | 2-69 |
| 1MB21212BC213AG3 | 1200 | 10  | XP100 | 2-70 |

# Part number index

## SIMOTICS NEMA motors

| Part Number      | HP   | RPM | Type  | Page |
|------------------|------|-----|-------|------|
| 1MB21212BC214AG3 | 1200 | 10  | XP100 | 2-66 |
| 1MB21212BC216LG3 | 1200 | 10  | XP100 | 2-69 |
| 1MB21212BD113AG3 | 900  | 5   | XP100 | 2-70 |
| 1MB21212BD114AG3 | 900  | 5   | XP100 | 2-66 |
| 1MB21212BD116LG3 | 900  | 5   | XP100 | 2-69 |
| 1MB21212BD213AG3 | 900  | 7.5 | XP100 | 2-70 |
| 1MB21212BD214AG3 | 900  | 7.5 | XP100 | 2-66 |
| 1MB21212BD216LG3 | 900  | 7.5 | XP100 | 2-69 |
| 1MB21212CB113AG3 | 1800 | 25  | XP100 | 2-70 |
| 1MB21212CB116AG3 | 1800 | 25  | XP100 | 2-66 |
| 1MB21212CB213AG3 | 1800 | 30  | XP100 | 2-70 |
| 1MB21212CB216AG3 | 1800 | 30  | XP100 | 2-67 |
| 1MB21212CC113AG3 | 1200 | 15  | XP100 | 2-70 |
| 1MB21212CC116AG3 | 1200 | 15  | XP100 | 2-66 |
| 1MB21212CC116LG3 | 1200 | 15  | XP100 | 2-69 |
| 1MB21212CC213AG3 | 1200 | 20  | XP100 | 2-70 |
| 1MB21212CC216AG3 | 1200 | 20  | XP100 | 2-66 |
| 1MB21212CC216LG3 | 1200 | 20  | XP100 | 2-69 |
| 1MB21212CD113AG3 | 900  | 10  | XP100 | 2-70 |
| 1MB21212CD116AG3 | 900  | 10  | XP100 | 2-66 |
| 1MB21212CD213AG3 | 900  | 15  | XP100 | 2-70 |
| 1MB21212CD216AG3 | 900  | 15  | XP100 | 2-66 |
| 1MB21212DA113AG3 | 3600 | 25  | XP100 | 2-70 |
| 1MB21212DA116AG3 | 3600 | 25  | XP100 | 2-66 |
| 1MB21212DA213AG3 | 3600 | 30  | XP100 | 2-70 |
| 1MB21212DA216AG3 | 3600 | 30  | XP100 | 2-67 |
| 1MB21213AB113AG3 | 1800 | 40  | XP100 | 2-71 |
| 1MB21213AB116AG3 | 1800 | 40  | XP100 | 2-67 |
| 1MB21213AB213AG3 | 1800 | 50  | XP100 | 2-71 |
| 1MB21213AB216AG3 | 1800 | 50  | XP100 | 2-67 |
| 1MB21213AC113AG3 | 1200 | 25  | XP100 | 2-70 |
| 1MB21213AC116AG3 | 1200 | 25  | XP100 | 2-66 |
| 1MB21213AC213AG3 | 1200 | 30  | XP100 | 2-70 |
| 1MB21213AC216AG3 | 1200 | 30  | XP100 | 2-67 |
| 1MB21213AD113AG3 | 900  | 20  | XP100 | 2-70 |
| 1MB21213AD116AG3 | 900  | 20  | XP100 | 2-66 |
| 1MB21213AD213AG3 | 900  | 25  | XP100 | 2-70 |
| 1MB21213AD216AG3 | 900  | 25  | XP100 | 2-66 |
| 1MB21213BA113AG3 | 3600 | 40  | XP100 | 2-71 |
| 1MB21213BA116AG3 | 3600 | 40  | XP100 | 2-67 |
| 1MB21213BA213AG3 | 3600 | 50  | XP100 | 2-71 |
| 1MB21213BA216AG3 | 3600 | 50  | XP100 | 2-67 |
| 1MB21213CB113AG3 | 1800 | 60  | XP100 | 2-71 |
| 1MB21213CB116AG3 | 1800 | 60  | XP100 | 2-67 |
| 1MB21213CB213AG3 | 1800 | 75  | XP100 | 2-71 |
| 1MB21213CB216AG3 | 1800 | 75  | XP100 | 2-67 |
| 1MB21213CC113AG3 | 1200 | 40  | XP100 | 2-71 |
| 1MB21213CC116AG3 | 1200 | 40  | XP100 | 2-67 |
| 1MB21213CC213AG3 | 1200 | 50  | XP100 | 2-71 |
| 1MB21213CC216AG3 | 1200 | 50  | XP100 | 2-67 |
| 1MB21213CD113AG3 | 900  | 30  | XP100 | 2-70 |

| Part Number      | HP   | RPM | Type  | Page |
|------------------|------|-----|-------|------|
| 1MB21213CD116AG3 | 900  | 30  | XP100 | 2-67 |
| 1MB21213CD213AG3 | 900  | 40  | XP100 | 2-71 |
| 1MB21213CD216AG3 | 900  | 40  | XP100 | 2-67 |
| 1MB21213DA113AG3 | 3600 | 60  | XP100 | 2-71 |
| 1MB21213DA116AG3 | 3600 | 60  | XP100 | 2-67 |
| 1MB21213DA213AG3 | 3600 | 75  | XP100 | 2-71 |
| 1MB21213DA216AG3 | 3600 | 75  | XP100 | 2-67 |
| 1MB21214AB213AG3 | 1800 | 100 | XP100 | 2-71 |
| 1MB21214AB216AG3 | 1800 | 100 | XP100 | 2-67 |
| 1MB21214AC113AG3 | 1200 | 60  | XP100 | 2-71 |
| 1MB21214AC116AG3 | 1200 | 60  | XP100 | 2-67 |
| 1MB21214AC213AG3 | 1200 | 75  | XP100 | 2-71 |
| 1MB21214AC216AG3 | 1200 | 75  | XP100 | 2-67 |
| 1MB21214AD113AG3 | 900  | 50  | XP100 | 2-71 |
| 1MB21214AD116AG3 | 900  | 50  | XP100 | 2-67 |
| 1MB21214AD213AG3 | 900  | 60  | XP100 | 2-71 |
| 1MB21214AD216AG3 | 900  | 60  | XP100 | 2-67 |
| 1MB21214BA213AG3 | 3600 | 100 | XP100 | 2-71 |
| 1MB21214BA216AG3 | 3600 | 100 | XP100 | 2-67 |
| 1MB21214CB112AG3 | 1800 | 125 | XP100 | 2-67 |
| 1MB21214CB113AG3 | 1800 | 125 | XP100 | 2-71 |
| 1MB21214CB212AG3 | 1800 | 150 | XP100 | 2-67 |
| 1MB21214CB213AG3 | 1800 | 150 | XP100 | 2-71 |
| 1MB21214CB312AG3 | 1800 | 200 | XP100 | 2-68 |
| 1MB21214CB313AG3 | 1800 | 200 | XP100 | 2-71 |
| 1MB21214CB512AG3 | 1800 | 250 | XP100 | 2-68 |
| 1MB21214CB612AG3 | 1800 | 300 | XP100 | 2-68 |
| 1MB21214CC113AG3 | 1200 | 100 | XP100 | 2-71 |
| 1MB21214CC116AG3 | 1200 | 100 | XP100 | 2-67 |
| 1MB21214CC212AG3 | 1200 | 125 | XP100 | 2-67 |
| 1MB21214CC213AG3 | 1200 | 125 | XP100 | 2-71 |
| 1MB21214CC312AG3 | 1200 | 150 | XP100 | 2-67 |
| 1MB21214CC313AG3 | 1200 | 150 | XP100 | 2-71 |
| 1MB21214CC512AG3 | 1200 | 200 | XP100 | 2-68 |
| 1MB21214CC513AG3 | 1200 | 200 | XP100 | 2-71 |
| 1MB21214CD113AG3 | 900  | 75  | XP100 | 2-71 |
| 1MB21214CD116AG3 | 900  | 75  | XP100 | 2-67 |
| 1MB21214CD213AG3 | 900  | 100 | XP100 | 2-71 |
| 1MB21214CD216AG3 | 900  | 100 | XP100 | 2-67 |
| 1MB21214CD312AG3 | 900  | 125 | XP100 | 2-67 |
| 1MB21214CD313AG3 | 900  | 125 | XP100 | 2-71 |
| 1MB21214CD512AG3 | 900  | 150 | XP100 | 2-67 |
| 1MB21214CD513AG3 | 900  | 150 | XP100 | 2-71 |
| 1MB21214CD612AG3 | 900  | 200 | XP100 | 2-68 |
| 1MB21214CD613AG3 | 900  | 200 | XP100 | 2-71 |
| 1MB21214DA112AG3 | 3600 | 125 | XP100 | 2-67 |
| 1MB21214DA113AG3 | 3600 | 125 | XP100 | 2-71 |
| 1MB21214DA212AG3 | 3600 | 150 | XP100 | 2-67 |
| 1MB21214DA213AG3 | 3600 | 150 | XP100 | 2-71 |
| 1MB21214DA312AG3 | 3600 | 200 | XP100 | 2-68 |
| 1MB21214DA313AG3 | 3600 | 200 | XP100 | 2-71 |

# Part number index

## SIMOTICS NEMA motors

| Part Number      | HP   | RPM | Type      | Page |
|------------------|------|-----|-----------|------|
| 1MB21214DA512AG3 | 3600 | 250 | XP100     | 2-68 |
| 1MB21214DA513AG3 | 3600 | 250 | XP100     | 2-71 |
| 1MB21214DA612AG3 | 3600 | 300 | XP100     | 2-68 |
| 1MB21214DA613AG3 | 3600 | 300 | XP100     | 2-71 |
| 1MB21214DB112AG3 | 1800 | 125 | XP100     | 2-67 |
| 1MB21214DB113AG3 | 1800 | 125 | XP100     | 2-71 |
| 1MB21214DB212AG3 | 1800 | 150 | XP100     | 2-67 |
| 1MB21214DB213AG3 | 1800 | 150 | XP100     | 2-71 |
| 1MB21214DB312AG3 | 1800 | 200 | XP100     | 2-68 |
| 1MB21214DB313AG3 | 1800 | 200 | XP100     | 2-71 |
| 1MB21214DB512AG3 | 1800 | 250 | XP100     | 2-68 |
| 1MB21214DB513AG3 | 1800 | 250 | XP100     | 2-71 |
| 1MB21214DB612AG3 | 1800 | 300 | XP100     | 2-68 |
| 1MB21214DB613AG3 | 1800 | 300 | XP100     | 2-71 |
| 1MB21214DC612AG3 | 1200 | 250 | XP100     | 2-68 |
| 1MB21214DC613AG3 | 1200 | 250 | XP100     | 2-71 |
| 1MB21214EB112AG3 | 1800 | 125 | XP100     | 2-67 |
| 1MB21214EB212AG3 | 1800 | 150 | XP100     | 2-67 |
| 1MB21214EB312AG3 | 1800 | 200 | XP100     | 2-68 |
| 1MB21214EB512AG3 | 1800 | 250 | XP100     | 2-68 |
| 1MB21214EB612AG3 | 1800 | 300 | XP100     | 2-68 |
| 1MB21214EC512AG3 | 1200 | 200 | XP100     | 2-68 |
| 1MB22211AA214AA3 | 3600 | 1.5 | XP100 ID1 | 2-76 |
| 1MB22211AA314AA3 | 3600 | 2   | XP100 ID1 | 2-76 |
| 1MB22211AB214AA3 | 1800 | 1   | XP100 ID1 | 2-76 |
| 1MB22211AB216GA3 | 1800 | 1   | XP100 ID1 | 2-78 |
| 1MB22211AB314AA3 | 1800 | 1.5 | XP100 ID1 | 2-76 |
| 1MB22211AB316GA3 | 1800 | 1.5 | XP100 ID1 | 2-78 |
| 1MB22211AB413AA3 | 1800 | 2   | XP100 ID1 | 2-79 |
| 1MB22211AB414AA3 | 1800 | 2   | XP100 ID1 | 2-76 |
| 1MB22211AB416GA3 | 1800 | 2   | XP100 ID1 | 2-78 |
| 1MB22211AC314AA3 | 1200 | 1   | XP100 ID1 | 2-76 |
| 1MB22211CA114AA3 | 3600 | 3   | XP100 ID1 | 2-76 |
| 1MB22211CA314AA3 | 3600 | 5   | XP100 ID1 | 2-76 |
| 1MB22211CB113AA3 | 1800 | 3   | XP100 ID1 | 2-79 |
| 1MB22211CB114AA3 | 1800 | 3   | XP100 ID1 | 2-76 |
| 1MB22211CB116GA3 | 1800 | 3   | XP100 ID1 | 2-78 |
| 1MB22211CB313AA3 | 1800 | 5   | XP100 ID1 | 2-79 |
| 1MB22211CB314AA3 | 1800 | 5   | XP100 ID1 | 2-76 |
| 1MB22211CB316GA3 | 1800 | 5   | XP100 ID1 | 2-78 |
| 1MB22211CC114AA3 | 1200 | 1.5 | XP100 ID1 | 2-76 |
| 1MB22211CC314AA3 | 1200 | 2   | XP100 ID1 | 2-76 |
| 1MB22212AA114AA3 | 3600 | 7.5 | XP100 ID1 | 2-76 |
| 1MB22212AA214AA3 | 3600 | 10  | XP100 ID1 | 2-76 |
| 1MB22212AB113AA3 | 1800 | 7.5 | XP100 ID1 | 2-79 |
| 1MB22212AB114AA3 | 1800 | 7.5 | XP100 ID1 | 2-76 |
| 1MB22212AB116GA3 | 1800 | 7.5 | XP100 ID1 | 2-78 |
| 1MB22212AB213AA3 | 1800 | 10  | XP100 ID1 | 2-79 |
| 1MB22212AB214AA3 | 1800 | 10  | XP100 ID1 | 2-76 |
| 1MB22212AB216GA3 | 1800 | 10  | XP100 ID1 | 2-78 |
| 1MB22212AC114AA3 | 1200 | 3   | XP100 ID1 | 2-76 |

| Part Number      | HP   | RPM | Type      | Page |
|------------------|------|-----|-----------|------|
| 1MB22212AC214AA3 | 1200 | 5   | XP100 ID1 | 2-76 |
| 1MB22212BA114AA3 | 3600 | 15  | XP100 ID1 | 2-76 |
| 1MB22212BA214AA3 | 3600 | 20  | XP100 ID1 | 2-76 |
| 1MB22212BB113AA3 | 1800 | 15  | XP100 ID1 | 2-79 |
| 1MB22212BB114AA3 | 1800 | 15  | XP100 ID1 | 2-76 |
| 1MB22212BB116GA3 | 1800 | 15  | XP100 ID1 | 2-78 |
| 1MB22212BB213AA3 | 1800 | 20  | XP100 ID1 | 2-79 |
| 1MB22212BB214AA3 | 1800 | 20  | XP100 ID1 | 2-76 |
| 1MB22212BB216GA3 | 1800 | 20  | XP100 ID1 | 2-78 |
| 1MB22212BC114AA3 | 1200 | 7.5 | XP100 ID1 | 2-76 |
| 1MB22212BC214AA3 | 1200 | 10  | XP100 ID1 | 2-76 |
| 1MB22212CB113AA3 | 1800 | 25  | XP100 ID1 | 2-79 |
| 1MB22212CB116AA3 | 1800 | 25  | XP100 ID1 | 2-76 |
| 1MB22212CB116GA3 | 1800 | 25  | XP100 ID1 | 2-78 |
| 1MB22212CB213AA3 | 1800 | 30  | XP100 ID1 | 2-79 |
| 1MB22212CB216AA3 | 1800 | 30  | XP100 ID1 | 2-77 |
| 1MB22212CB216GA3 | 1800 | 30  | XP100 ID1 | 2-78 |
| 1MB22212CC116AA3 | 1200 | 15  | XP100 ID1 | 2-76 |
| 1MB22212CC216AA3 | 1200 | 20  | XP100 ID1 | 2-76 |
| 1MB22212DA116AA3 | 3600 | 25  | XP100 ID1 | 2-76 |
| 1MB22212DA216AA3 | 3600 | 30  | XP100 ID1 | 2-77 |
| 1MB22213AB113AA3 | 1800 | 40  | XP100 ID1 | 2-79 |
| 1MB22213AB116AA3 | 1800 | 40  | XP100 ID1 | 2-77 |
| 1MB22213AB213AA3 | 1800 | 50  | XP100 ID1 | 2-79 |
| 1MB22213AB216AA3 | 1800 | 50  | XP100 ID1 | 2-77 |
| 1MB22213AC116AA3 | 1200 | 25  | XP100 ID1 | 2-76 |
| 1MB22213AC216AA3 | 1200 | 30  | XP100 ID1 | 2-77 |
| 1MB22213BA116AA3 | 3600 | 40  | XP100 ID1 | 2-77 |
| 1MB22213BA216AA3 | 3600 | 50  | XP100 ID1 | 2-77 |
| 1MB22213CB113AA3 | 1800 | 60  | XP100 ID1 | 2-79 |
| 1MB22213CB116AA3 | 1800 | 60  | XP100 ID1 | 2-77 |
| 1MB22213CB213AA3 | 1800 | 75  | XP100 ID1 | 2-79 |
| 1MB22213CB216AA3 | 1800 | 75  | XP100 ID1 | 2-77 |
| 1MB22213CC116AA3 | 1200 | 40  | XP100 ID1 | 2-77 |
| 1MB22213CC216AA3 | 1200 | 50  | XP100 ID1 | 2-77 |
| 1MB22213DA116AA3 | 3600 | 60  | XP100 ID1 | 2-77 |
| 1MB22213DA216AA3 | 3600 | 75  | XP100 ID1 | 2-77 |
| 1MB22214AB213AA3 | 1800 | 100 | XP100 ID1 | 2-79 |
| 1MB22214AB216AA3 | 1800 | 100 | XP100 ID1 | 2-77 |
| 1MB22214AC116AA3 | 1200 | 60  | XP100 ID1 | 2-77 |
| 1MB22214AC216AA3 | 1200 | 75  | XP100 ID1 | 2-77 |
| 1MB22214BA216AA3 | 3600 | 100 | XP100 ID1 | 2-77 |
| 1MB22214CB113AA3 | 1800 | 125 | XP100 ID1 | 2-77 |
| 1MB22214CB212AA3 | 1800 | 150 | XP100 ID1 | 2-77 |
| 1MB22214CB213AA3 | 1800 | 150 | XP100 ID1 | 2-79 |
| 1MB22214CB312AA3 | 1800 | 200 | XP100 ID1 | 2-77 |
| 1MB22214CB512AA3 | 1800 | 250 | XP100 ID1 | 2-77 |
| 1MB22214CB612AA3 | 1800 | 300 | XP100 ID1 | 2-77 |
| 1MB22214CC116AA3 | 1200 | 100 | XP100 ID1 | 2-77 |
| 1MB22214CC212AA3 | 1200 | 125 | XP100 ID1 | 2-77 |

# Part number index

## SIMOTICS NEMA motors

| Part Number      | HP   | RPM | Type      | Page |
|------------------|------|-----|-----------|------|
| 1MB22214CC312AA3 | 1200 | 150 | XP100 ID1 | 2-77 |
| 1MB22214CC512AA3 | 1200 | 200 | XP100 ID1 | 2-77 |
| 1MB22214DA112AA3 | 3600 | 125 | XP100 ID1 | 2-77 |
| 1MB22214DA212AA3 | 3600 | 150 | XP100 ID1 | 2-77 |
| 1MB22214DA312AA3 | 3600 | 200 | XP100 ID1 | 2-77 |
| 1MB22214DA512AA3 | 3600 | 250 | XP100 ID1 | 2-77 |
| 1MB22214DA612AA3 | 3600 | 300 | XP100 ID1 | 2-77 |
| 1MB22214EB112AA3 | 1800 | 125 | XP100 ID1 | 2-77 |
| 1MB22214EB113AA3 | 1800 | 125 | XP100 ID1 | 2-79 |
| 1MB22214EB212AA3 | 1800 | 150 | XP100 ID1 | 2-77 |
| 1MB22214EB213AA3 | 1800 | 150 | XP100 ID1 | 2-79 |
| 1MB22214EB312AA3 | 1800 | 200 | XP100 ID1 | 2-77 |
| 1MB22214EB512AA3 | 1800 | 250 | XP100 ID1 | 2-77 |
| 1MB22214EB612AA3 | 1800 | 300 | XP100 ID1 | 2-77 |
| 1MB22214EC116AA3 | 1200 | 100 | XP100 ID1 | 2-77 |
| 1MB22214EC212AA3 | 1200 | 125 | XP100 ID1 | 2-77 |
| 1MB22214EC312AA3 | 1200 | 150 | XP100 ID1 | 2-77 |
| 1MB22214EC512AA3 | 1200 | 200 | XP100 ID1 | 2-77 |
| 1PC28111BA213TA3 | 3600 | 1.5 | RGZVESD   | 2-92 |
| 1PC28111BA216TA3 | 3600 | 1.5 | RGZVESD   | 2-90 |
| 1PC28111BA313TA3 | 3600 | 2   | RGZVESD   | 2-92 |
| 1PC28111BA316TA3 | 3600 | 2   | RGZVESD   | 2-90 |
| 1PC28111BB213TA3 | 1800 | 1   | RGZVESD   | 2-92 |
| 1PC28111BB216TA3 | 1800 | 1   | RGZVESD   | 2-90 |
| 1PC28111BB313TA3 | 1800 | 1.5 | RGZVESD   | 2-92 |
| 1PC28111BB316TA3 | 1800 | 1.5 | RGZVESD   | 2-90 |
| 1PC28111BB413TA3 | 1800 | 2   | RGZVESD   | 2-92 |
| 1PC28111BB416TA3 | 1800 | 2   | RGZVESD   | 2-90 |
| 1PC28111BC313TA3 | 1200 | 1   | RGZVESD   | 2-92 |
| 1PC28111BC316TA3 | 1200 | 1   | RGZVESD   | 2-90 |
| 1PC28111DA113TA3 | 3600 | 3   | RGZVESD   | 2-92 |
| 1PC28111DA116TA3 | 3600 | 3   | RGZVESD   | 2-90 |
| 1PC28111DA213TA3 | 3600 | 5   | RGZVESD   | 2-92 |
| 1PC28111DA216TA3 | 3600 | 5   | RGZVESD   | 2-90 |
| 1PC28111DB113TA3 | 1800 | 3   | RGZVESD   | 2-92 |
| 1PC28111DB116TA3 | 1800 | 3   | RGZVESD   | 2-90 |
| 1PC28111DB213TA3 | 1800 | 5   | RGZVESD   | 2-92 |
| 1PC28111DB216TA3 | 1800 | 5   | RGZVESD   | 2-90 |
| 1PC28111DC113TA3 | 1200 | 1.5 | RGZVESD   | 2-92 |
| 1PC28111DC116TA3 | 1200 | 1.5 | RGZVESD   | 2-90 |
| 1PC28111DC213TA3 | 1200 | 2   | RGZVESD   | 2-92 |
| 1PC28111DC216TA3 | 1200 | 2   | RGZVESD   | 2-90 |
| 1PC28111DD113TA3 | 900  | 1   | RGZVESD   | 2-92 |
| 1PC28111DD116TA3 | 900  | 1   | RGZVESD   | 2-90 |
| 1PC28111DD213TA3 | 900  | 1.5 | RGZVESD   | 2-92 |
| 1PC28111DD216TA3 | 900  | 1.5 | RGZVESD   | 2-90 |
| 1PC28112AA313TA3 | 3600 | 7.5 | RGZVESD   | 2-92 |
| 1PC28112AA316TA3 | 3600 | 7.5 | RGZVESD   | 2-90 |
| 1PC28112AA413TA3 | 3600 | 10  | RGZVESD   | 2-92 |
| 1PC28112AA416TA3 | 3600 | 10  | RGZVESD   | 2-90 |
| 1PC28112AB313TA3 | 1800 | 7.5 | RGZVESD   | 2-92 |

| Part Number      | HP   | RPM | Type    | Page |
|------------------|------|-----|---------|------|
| 1PC28112AB316TA3 | 1800 | 7.5 | RGZVESD | 2-90 |
| 1PC28112AB413TA3 | 1800 | 10  | RGZVESD | 2-92 |
| 1PC28112AB416TA3 | 1800 | 10  | RGZVESD | 2-90 |
| 1PC28112AC313TA3 | 1200 | 3   | RGZVESD | 2-92 |
| 1PC28112AC316TA3 | 1200 | 3   | RGZVESD | 2-90 |
| 1PC28112AC413TA3 | 1200 | 5   | RGZVESD | 2-92 |
| 1PC28112AC416TA3 | 1200 | 5   | RGZVESD | 2-90 |
| 1PC28112AD313TA3 | 900  | 2   | RGZVESD | 2-92 |
| 1PC28112AD316TA3 | 900  | 2   | RGZVESD | 2-90 |
| 1PC28112AD413TA3 | 900  | 3   | RGZVESD | 2-92 |
| 1PC28112AD416TA3 | 900  | 3   | RGZVESD | 2-90 |
| 1PC28112BA313TA3 | 3600 | 15  | RGZVESD | 2-92 |
| 1PC28112BA316TA3 | 3600 | 15  | RGZVESD | 2-90 |
| 1PC28112BA413TA3 | 3600 | 20  | RGZVESD | 2-92 |
| 1PC28112BA416TA3 | 3600 | 20  | RGZVESD | 2-90 |
| 1PC28112BB313TA3 | 1800 | 15  | RGZVESD | 2-92 |
| 1PC28112BB316TA3 | 1800 | 15  | RGZVESD | 2-90 |
| 1PC28112BB413TA3 | 1800 | 20  | RGZVESD | 2-92 |
| 1PC28112BB416TA3 | 1800 | 20  | RGZVESD | 2-90 |
| 1PC28112BC313TA3 | 1200 | 7.5 | RGZVESD | 2-92 |
| 1PC28112BC316TA3 | 1200 | 7.5 | RGZVESD | 2-90 |
| 1PC28112BC413TA3 | 1200 | 10  | RGZVESD | 2-92 |
| 1PC28112BC416TA3 | 1200 | 10  | RGZVESD | 2-90 |
| 1PC28112BD313TA3 | 900  | 5   | RGZVESD | 2-92 |
| 1PC28112BD316TA3 | 900  | 5   | RGZVESD | 2-90 |
| 1PC28112BD413TA3 | 900  | 7.5 | RGZVESD | 2-92 |
| 1PC28112BD416TA3 | 900  | 7.5 | RGZVESD | 2-90 |
| 1PC28112CA312TA3 | 3600 | 25  | RGZVESD | 2-90 |
| 1PC28112CA313TA3 | 3600 | 25  | RGZVESD | 2-92 |
| 1PC28112CA412TA3 | 3600 | 30  | RGZVESD | 2-91 |
| 1PC28112CA413TA3 | 3600 | 30  | RGZVESD | 2-93 |
| 1PC28112CB312TA3 | 1800 | 25  | RGZVESD | 2-90 |
| 1PC28112CB313TA3 | 1800 | 25  | RGZVESD | 2-92 |
| 1PC28112CB412TA3 | 1800 | 30  | RGZVESD | 2-91 |
| 1PC28112CB413TA3 | 1800 | 30  | RGZVESD | 2-93 |
| 1PC28112CC313TA3 | 1200 | 15  | RGZVESD | 2-92 |
| 1PC28112CC316TA3 | 1200 | 15  | RGZVESD | 2-90 |
| 1PC28112CC413TA3 | 1200 | 20  | RGZVESD | 2-92 |
| 1PC28112CC416TA3 | 1200 | 20  | RGZVESD | 2-90 |
| 1PC28112CD313TA3 | 900  | 10  | RGZVESD | 2-92 |
| 1PC28112CD316TA3 | 900  | 10  | RGZVESD | 2-90 |
| 1PC28112CD413TA3 | 900  | 15  | RGZVESD | 2-92 |
| 1PC28112CD416TA3 | 900  | 15  | RGZVESD | 2-90 |
| 1PC28113AA312TA3 | 3600 | 40  | RGZVESD | 2-91 |
| 1PC28113AA313TA3 | 3600 | 40  | RGZVESD | 2-93 |
| 1PC28113AA412TA3 | 3600 | 50  | RGZVESD | 2-91 |
| 1PC28113AA413TA3 | 3600 | 50  | RGZVESD | 2-93 |
| 1PC28113AB312TA3 | 1800 | 40  | RGZVESD | 2-91 |
| 1PC28113AB313TA3 | 1800 | 40  | RGZVESD | 2-93 |
| 1PC28113AB412TA3 | 1800 | 50  | RGZVESD | 2-91 |
| 1PC28113AB413TA3 | 1800 | 50  | RGZVESD | 2-93 |



# Part number index

## SIMOTICS NEMA motors

| Part Number      | HP   | RPM | Type    | Page |
|------------------|------|-----|---------|------|
| 1PC28113AC312TA3 | 1200 | 25  | RGZVESD | 2-90 |
| 1PC28113AC313TA3 | 1200 | 25  | RGZVESD | 2-92 |
| 1PC28113AC412TA3 | 1200 | 30  | RGZVESD | 2-91 |
| 1PC28113AC413TA3 | 1200 | 30  | RGZVESD | 2-93 |
| 1PC28113AD313TA3 | 900  | 20  | RGZVESD | 2-92 |
| 1PC28113AD316TA3 | 900  | 20  | RGZVESD | 2-90 |
| 1PC28113AD412TA3 | 900  | 25  | RGZVESD | 2-90 |
| 1PC28113AD413TA3 | 900  | 25  | RGZVESD | 2-92 |
| 1PC28113CA312TA3 | 3600 | 60  | RGZVESD | 2-91 |
| 1PC28113CA313TA3 | 3600 | 60  | RGZVESD | 2-93 |
| 1PC28113CA412TA3 | 3600 | 75  | RGZVESD | 2-91 |
| 1PC28113CA413TA3 | 3600 | 75  | RGZVESD | 2-93 |
| 1PC28113CB312TA3 | 1800 | 60  | RGZVESD | 2-91 |
| 1PC28113CB313TA3 | 1800 | 60  | RGZVESD | 2-93 |
| 1PC28113CB412TA3 | 1800 | 75  | RGZVESD | 2-91 |
| 1PC28113CB413TA3 | 1800 | 75  | RGZVESD | 2-93 |
| 1PC28113CC312TA3 | 1200 | 40  | RGZVESD | 2-91 |
| 1PC28113CC313TA3 | 1200 | 40  | RGZVESD | 2-93 |
| 1PC28113CC412TA3 | 1200 | 50  | RGZVESD | 2-91 |
| 1PC28113CC413TA3 | 1200 | 50  | RGZVESD | 2-93 |
| 1PC28113CD312TA3 | 900  | 30  | RGZVESD | 2-91 |
| 1PC28113CD313TA3 | 900  | 30  | RGZVESD | 2-93 |
| 1PC28113CD412TA3 | 900  | 40  | RGZVESD | 2-91 |
| 1PC28113CD413TA3 | 900  | 40  | RGZVESD | 2-93 |
| 1PC28114AA412TA3 | 3600 | 100 | RGZVESD | 2-91 |
| 1PC28114AA413TA3 | 3600 | 100 | RGZVESD | 2-93 |
| 1PC28114AB412TA3 | 1800 | 100 | RGZVESD | 2-91 |
| 1PC28114AB413TA3 | 1800 | 100 | RGZVESD | 2-93 |
| 1PC28114AC312TA3 | 1200 | 60  | RGZVESD | 2-91 |
| 1PC28114AC313TA3 | 1200 | 60  | RGZVESD | 2-93 |
| 1PC28114AC412TA3 | 1200 | 75  | RGZVESD | 2-91 |
| 1PC28114AC413TA3 | 1200 | 75  | RGZVESD | 2-93 |
| 1PC28114AD312TA3 | 900  | 50  | RGZVESD | 2-91 |
| 1PC28114AD313TA3 | 900  | 50  | RGZVESD | 2-93 |
| 1PC28114AD412TA3 | 900  | 60  | RGZVESD | 2-91 |
| 1PC28114AD413TA3 | 900  | 60  | RGZVESD | 2-93 |
| 1PC28114HB112TA3 | 1800 | 125 | RGZVESD | 2-91 |
| 1PC28114HB113TA3 | 1800 | 125 | RGZVESD | 2-93 |
| 1PC28114HB212TA3 | 1800 | 150 | RGZVESD | 2-91 |
| 1PC28114HB213TA3 | 1800 | 150 | RGZVESD | 2-93 |
| 1PC28114HB312TA3 | 1800 | 200 | RGZVESD | 2-91 |
| 1PC28114HB313TA3 | 1800 | 200 | RGZVESD | 2-93 |
| 1PC28114HB512TA3 | 1800 | 250 | RGZVESD | 2-91 |
| 1PC28114HB513TA3 | 1800 | 250 | RGZVESD | 2-93 |
| 1PC28114HC112TA3 | 1200 | 100 | RGZVESD | 2-91 |
| 1PC28114HC113TA3 | 1200 | 100 | RGZVESD | 2-93 |
| 1PC28114HC212TA3 | 1200 | 125 | RGZVESD | 2-91 |
| 1PC28114HC213TA3 | 1200 | 125 | RGZVESD | 2-93 |
| 1PC28114HC312TA3 | 1200 | 150 | RGZVESD | 2-91 |
| 1PC28114HC313TA3 | 1200 | 150 | RGZVESD | 2-93 |
| 1PC28114HC512TA3 | 1200 | 200 | RGZVESD | 2-91 |

| Part Number      | HP   | RPM | Type      | Page |
|------------------|------|-----|-----------|------|
| 1PC28114HC513TA3 | 1200 | 200 | RGZVESD   | 2-93 |
| 1PC28114HC612TA3 | 1200 | 250 | RGZVESD   | 2-91 |
| 1PC28114HC613TA3 | 1200 | 250 | RGZVESD   | 2-93 |
| 1PC28114HD112TA3 | 900  | 75  | RGZVESD   | 2-91 |
| 1PC28114HD113TA3 | 900  | 75  | RGZVESD   | 2-93 |
| 1PC28114HD212TA3 | 900  | 100 | RGZVESD   | 2-91 |
| 1PC28114HD213TA3 | 900  | 100 | RGZVESD   | 2-93 |
| 1PC28114HD312TA3 | 900  | 125 | RGZVESD   | 2-91 |
| 1PC28114HD313TA3 | 900  | 125 | RGZVESD   | 2-93 |
| 1PC28114HD412TA3 | 900  | 150 | RGZVESD   | 2-91 |
| 1PC28114HD413TA3 | 900  | 150 | RGZVESD   | 2-93 |
| 1PC28114HD612TA3 | 900  | 200 | RGZVESD   | 2-91 |
| 1PC28114HD613TA3 | 900  | 200 | RGZVESD   | 2-93 |
| 1PC28311DA413TA3 | 3600 | 3   | RGZVILESD | 2-97 |
| 1PC28311DA416TA3 | 3600 | 3   | RGZVILESD | 2-96 |
| 1PC28311DA513TA3 | 3600 | 5   | RGZVILESD | 2-97 |
| 1PC28311DA516TA3 | 3600 | 5   | RGZVILESD | 2-96 |
| 1PC28311DB413TA3 | 1800 | 3   | RGZVILESD | 2-97 |
| 1PC28311DB416TA3 | 1800 | 3   | RGZVILESD | 2-96 |
| 1PC28311DB513TA3 | 1800 | 5   | RGZVILESD | 2-97 |
| 1PC28311DB516TA3 | 1800 | 5   | RGZVILESD | 2-96 |
| 1PC28312AA513TA3 | 3600 | 7.5 | RGZVILESD | 2-97 |
| 1PC28312AA516TA3 | 3600 | 7.5 | RGZVILESD | 2-96 |
| 1PC28312AA613TA3 | 3600 | 10  | RGZVILESD | 2-97 |
| 1PC28312AA616TA3 | 3600 | 10  | RGZVILESD | 2-96 |
| 1PC28312AB513TA3 | 1800 | 7.5 | RGZVILESD | 2-97 |
| 1PC28312AB516TA3 | 1800 | 7.5 | RGZVILESD | 2-96 |
| 1PC28312AB613TA3 | 1800 | 10  | RGZVILESD | 2-97 |
| 1PC28312AB616TA3 | 1800 | 10  | RGZVILESD | 2-96 |
| 1PC28312AC513TA3 | 1200 | 3   | RGZVILESD | 2-97 |
| 1PC28312AC516TA3 | 1200 | 3   | RGZVILESD | 2-96 |
| 1PC28312AC613TA3 | 1200 | 5   | RGZVILESD | 2-97 |
| 1PC28312AC616TA3 | 1200 | 5   | RGZVILESD | 2-96 |
| 1PC28312BA513TA3 | 3600 | 15  | RGZVILESD | 2-97 |
| 1PC28312BA516TA3 | 3600 | 15  | RGZVILESD | 2-96 |
| 1PC28312BA613TA3 | 3600 | 20  | RGZVILESD | 2-97 |
| 1PC28312BA616TA3 | 3600 | 20  | RGZVILESD | 2-96 |
| 1PC28312BB513TA3 | 1800 | 15  | RGZVILESD | 2-97 |
| 1PC28312BB516TA3 | 1800 | 15  | RGZVILESD | 2-96 |
| 1PC28312BB613TA3 | 1800 | 20  | RGZVILESD | 2-97 |
| 1PC28312BB616TA3 | 1800 | 20  | RGZVILESD | 2-96 |
| 1PC28312BC513TA3 | 1200 | 7.5 | RGZVILESD | 2-97 |
| 1PC28312BC516TA3 | 1200 | 7.5 | RGZVILESD | 2-96 |
| 1PC28312BC613TA3 | 1200 | 10  | RGZVILESD | 2-97 |
| 1PC28312BC616TA3 | 1200 | 10  | RGZVILESD | 2-96 |
| 1PC28312EA112TA3 | 3600 | 25  | RGZVILESD | 2-96 |
| 1PC28312EA113TA3 | 3600 | 25  | RGZVILESD | 2-97 |
| 1PC28312EA412TA3 | 3600 | 30  | RGZVILESD | 2-96 |
| 1PC28312EA413TA3 | 3600 | 30  | RGZVILESD | 2-97 |
| 1PC28312EB112TA3 | 1800 | 25  | RGZVILESD | 2-96 |
| 1PC28312EB113TA3 | 1800 | 25  | RGZVILESD | 2-97 |

# Part number index

## SIMOTICS NEMA motors

| Part Number      | HP   | RPM | Type      | Page |
|------------------|------|-----|-----------|------|
| 1PC28312EB412TA3 | 1800 | 30  | RGZVILESD | 2-96 |
| 1PC28312EB413TA3 | 1800 | 30  | RGZVILESD | 2-97 |
| 1PC28312EC113TA3 | 1200 | 15  | RGZVILESD | 2-97 |
| 1PC28312EC116TA3 | 1200 | 15  | RGZVILESD | 2-96 |
| 1PC28312EC413TA3 | 1200 | 20  | RGZVILESD | 2-97 |
| 1PC28312EC416TA3 | 1200 | 20  | RGZVILESD | 2-96 |
| 1PC28313AA512TA3 | 3600 | 40  | RGZVILESD | 2-96 |
| 1PC28313AA513TA3 | 3600 | 40  | RGZVILESD | 2-97 |
| 1PC28313AA612TA3 | 3600 | 50  | RGZVILESD | 2-96 |
| 1PC28313AA613TA3 | 3600 | 50  | RGZVILESD | 2-97 |
| 1PC28313AB512TA3 | 1800 | 40  | RGZVILESD | 2-96 |
| 1PC28313AB513TA3 | 1800 | 40  | RGZVILESD | 2-97 |
| 1PC28313AB612TA3 | 1800 | 50  | RGZVILESD | 2-96 |
| 1PC28313AB613TA3 | 1800 | 50  | RGZVILESD | 2-97 |
| 1PC28313AC512TA3 | 1200 | 25  | RGZVILESD | 2-96 |
| 1PC28313AC513TA3 | 1200 | 25  | RGZVILESD | 2-97 |
| 1PC28313AC612TA3 | 1200 | 30  | RGZVILESD | 2-96 |
| 1PC28313AC613TA3 | 1200 | 30  | RGZVILESD | 2-97 |
| 1PC28313CA512TA3 | 3600 | 60  | RGZVILESD | 2-96 |
| 1PC28313CA513TA3 | 3600 | 60  | RGZVILESD | 2-97 |
| 1PC28313CA612TA3 | 3600 | 75  | RGZVILESD | 2-96 |
| 1PC28313CA613TA3 | 3600 | 75  | RGZVILESD | 2-97 |
| 1PC28313CB512TA3 | 1800 | 60  | RGZVILESD | 2-96 |
| 1PC28313CB513TA3 | 1800 | 60  | RGZVILESD | 2-97 |
| 1PC28313CB612TA3 | 1800 | 75  | RGZVILESD | 2-96 |
| 1PC28313CB613TA3 | 1800 | 75  | RGZVILESD | 2-97 |
| 1PC28313CC512TA3 | 1200 | 40  | RGZVILESD | 2-96 |
| 1PC28313CC513TA3 | 1200 | 40  | RGZVILESD | 2-97 |
| 1PC28313CC612TA3 | 1200 | 50  | RGZVILESD | 2-96 |
| 1PC28313CC613TA3 | 1200 | 50  | RGZVILESD | 2-97 |
| 1PC28314AA612TA3 | 3600 | 100 | RGZVILESD | 2-96 |
| 1PC28314AA613TA3 | 3600 | 100 | RGZVILESD | 2-97 |
| 1PC28314AB612TA3 | 1800 | 100 | RGZVILESD | 2-96 |
| 1PC28314AB613TA3 | 1800 | 100 | RGZVILESD | 2-97 |
| 1PC28314AC512TA3 | 1200 | 60  | RGZVILESD | 2-96 |
| 1PC28314AC513TA3 | 1200 | 60  | RGZVILESD | 2-97 |
| 1PC28314AC612TA3 | 1200 | 75  | RGZVILESD | 2-96 |
| 1PC28314AC613TA3 | 1200 | 75  | RGZVILESD | 2-97 |
| 1PC28314JB112TA3 | 1800 | 125 | RGZVILESD | 2-96 |
| 1PC28314JB113TA3 | 1800 | 125 | RGZVILESD | 2-97 |
| 1PC28314JB212TA3 | 1800 | 150 | RGZVILESD | 2-96 |
| 1PC28314JB213TA3 | 1800 | 150 | RGZVILESD | 2-97 |
| 1PC28314JB312TA3 | 1800 | 200 | RGZVILESD | 2-96 |
| 1PC28314JB313TA3 | 1800 | 200 | RGZVILESD | 2-97 |
| 1PC28314JB512TA3 | 1800 | 250 | RGZVILESD | 2-96 |
| 1PC28314JB513TA3 | 1800 | 250 | RGZVILESD | 2-97 |
| 1PC28314JC112TA3 | 1200 | 100 | RGZVILESD | 2-96 |
| 1PC28314JC113TA3 | 1200 | 100 | RGZVILESD | 2-97 |
| 1PC28314JC212TA3 | 1200 | 125 | RGZVILESD | 2-96 |
| 1PC28314JC213TA3 | 1200 | 125 | RGZVILESD | 2-97 |
| 1PC28314JC312TA3 | 1200 | 150 | RGZVILESD | 2-96 |

| Part Number      | HP   | RPM | Type           | Page |
|------------------|------|-----|----------------|------|
| 1PC28314JC313TA3 | 1200 | 150 | RGZVILESD      | 2-97 |
| 1PC28314JC512TA3 | 1200 | 200 | RGZVILESD      | 2-96 |
| 1PC28314JC513TA3 | 1200 | 200 | RGZVILESD      | 2-97 |
| 1PC28314JC612TA3 | 1200 | 250 | RGZVILESD      | 2-96 |
| 1PC28314JC613TA3 | 1200 | 250 | RGZVILESD      | 2-97 |
| 1PC29111AB512AG3 | 1800 | 1   | RGKESDI 1000:1 | 2-86 |
| 1PC29111CA612AG3 | 3600 | 1.5 | RGKESDI 1000:1 | 2-86 |
| 1PC29111CA812AG3 | 3600 | 2   | RGKESDI 1000:1 | 2-86 |
| 1PC29111CB512AG3 | 1800 | 2   | RGKESDI 1000:1 | 2-86 |
| 1PC29111CB612AG3 | 1800 | 1.5 | RGKESDI 1000:1 | 2-86 |
| 1PC29111CB712AG3 | 1800 | 3   | RGKESDI 1000:1 | 2-86 |
| 1PC29111CC612AG3 | 1200 | 1   | RGKESDI 1000:1 | 2-86 |
| 1PC29111CC712AG3 | 1200 | 1.5 | RGKESDI 1000:1 | 2-86 |
| 1PC29112AC012AG3 | 1200 | 3   | RGKESDI 1000:1 | 2-86 |
| 1PC29112BB712AG3 | 1800 | 7.5 | RGKESDI 1000:1 | 2-86 |
| 1PC29112BB812AG3 | 1800 | 10  | RGKESDI 1000:1 | 2-86 |
| 1PC29112BC012AG3 | 1200 | 7.5 | RGKESDI 1000:1 | 2-86 |
| 1PC29112KA112AG3 | 3600 | 3   | RGKESDI 1000:1 | 2-86 |
| 1PC29112KA212AG3 | 3600 | 5   | RGKESDI 1000:1 | 2-86 |
| 1PC29112KA312AG3 | 3600 | 7.5 | RGKESDI 1000:1 | 2-86 |
| 1PC29112KA412AG3 | 3600 | 10  | RGKESDI 1000:1 | 2-86 |
| 1PC29112KB512AG3 | 1800 | 5   | RGKESDI 1000:1 | 2-86 |
| 1PC29112KC512AG3 | 1200 | 2   | RGKESDI 1000:1 | 2-86 |
| 1PC29112KC612AG3 | 1200 | 5   | RGKESDI 1000:1 | 2-86 |
| 1PC29212BA112AG3 | 3600 | 15  | RGZESDI 1000:1 | 2-86 |
| 1PC29212BA212AG3 | 3600 | 20  | RGZESDI 1000:1 | 2-86 |
| 1PC29212BB112AG3 | 1800 | 15  | RGZESDI 1000:1 | 2-86 |
| 1PC29212BB212AG3 | 1800 | 20  | RGZESDI 1000:1 | 2-86 |
| 1PC29212BC212AG3 | 1200 | 10  | RGZESDI 1000:1 | 2-86 |
| 1PC29212CB112AG3 | 1800 | 25  | RGZESDI 1000:1 | 2-86 |
| 1PC29212CB212AG3 | 1800 | 30  | RGZESDI 1000:1 | 2-86 |
| 1PC29212CC112AG3 | 1200 | 15  | RGZESDI 1000:1 | 2-86 |
| 1PC29212CC212AG3 | 1200 | 20  | RGZESDI 1000:1 | 2-86 |
| 1PC29212DA112AG3 | 3600 | 25  | RGZESDI 1000:1 | 2-86 |
| 1PC29212DA212AG3 | 3600 | 30  | RGZESDI 1000:1 | 2-86 |
| 1PC29213AB112AG3 | 1800 | 40  | RGZESDI 1000:1 | 2-86 |
| 1PC29213AB212AG3 | 1800 | 50  | RGZESDI 1000:1 | 2-86 |
| 1PC29213AC112AG3 | 1200 | 25  | RGZESDI 1000:1 | 2-86 |
| 1PC29213AC212AG3 | 1200 | 30  | RGZESDI 1000:1 | 2-86 |
| 1PC29213BA112AG3 | 3600 | 40  | RGZESDI 1000:1 | 2-86 |
| 1PC29213BA212AG3 | 3600 | 50  | RGZESDI 1000:1 | 2-86 |
| 1PC29213CB112AG3 | 1800 | 60  | RGZESDI 1000:1 | 2-87 |
| 1PC29213CB212AG3 | 1800 | 75  | RGZESDI 1000:1 | 2-87 |
| 1PC29213CC112AG3 | 1200 | 40  | RGZESDI 1000:1 | 2-86 |
| 1PC29213CC212AG3 | 1200 | 50  | RGZESDI 1000:1 | 2-86 |
| 1PC29213DA112AG3 | 3600 | 60  | RGZESDI 1000:1 | 2-87 |
| 1PC29213DA212AG3 | 3600 | 75  | RGZESDI 1000:1 | 2-87 |
| 1PC29214AB212AG3 | 1800 | 100 | RGZESDI 1000:1 | 2-87 |
| 1PC29214AC112AG3 | 1200 | 60  | RGZESDI 1000:1 | 2-87 |
| 1PC29214AC212AG3 | 1200 | 75  | RGZESDI 1000:1 | 2-87 |
| 1PC29214BA212AG3 | 3600 | 100 | RGZESDI 1000:1 | 2-87 |

# Part number index

## SIMOTICS NEMA motors

| Part Number      | HP   | RPM | Type           | Page |
|------------------|------|-----|----------------|------|
| 1PC29214DA112AG3 | 3600 | 125 | RGZESDI 1000:1 | 2-87 |
| 1PC29214DA212AG3 | 3600 | 150 | RGZESDI 1000:1 | 2-87 |
| 1PC29214DA312AG3 | 3600 | 200 | RGZESDI 1000:1 | 2-87 |
| 1PC29214DA512AG3 | 3600 | 250 | RGZESDI 1000:1 | 2-87 |
| 1PC29214DA612AG3 | 3600 | 300 | RGZESDI 1000:1 | 2-87 |
| 1PC29214DB112AG3 | 1800 | 125 | RGZESDI 1000:1 | 2-87 |
| 1PC29214DB212AG3 | 1800 | 150 | RGZESDI 1000:1 | 2-87 |
| 1PC29214DB312AG3 | 1800 | 200 | RGZESDI 1000:1 | 2-87 |
| 1PC29214DB512AG3 | 1800 | 250 | RGZESDI 1000:1 | 2-87 |
| 1PC29214DB612AG3 | 1800 | 300 | RGZESDI 1000:1 | 2-87 |
| 1PC29214DC112AG3 | 1200 | 100 | RGZESDI 1000:1 | 2-87 |
| 1PC29214DC212AG3 | 1200 | 125 | RGZESDI 1000:1 | 2-87 |
| 1PC29214DC312AG3 | 1200 | 150 | RGZESDI 1000:1 | 2-87 |
| 1PC29214DC512AG3 | 1200 | 200 | RGZESDI 1000:1 | 2-87 |
| 1PC29214DC612AG3 | 1200 | 250 | RGZESDI 1000:1 | 2-87 |
| 1PC29214GA112AG3 | 3600 | 350 | RGZESDI 1000:1 | 2-87 |
| 1PC29214GA312AG3 | 3600 | 400 | RGZESDI 1000:1 | 2-87 |
| 1PC29214GB212AG3 | 1800 | 350 | RGZESDI 1000:1 | 2-87 |
| 1PC29214GB312AG3 | 1800 | 400 | RGZESDI 1000:1 | 2-87 |
| 1PC29214GC112AG3 | 1200 | 300 | RGZESDI 1000:1 | 2-87 |
| 1PC29214GC312AG3 | 1200 | 350 | RGZESDI 1000:1 | 2-87 |

آتور صنعت  
ATOORSANAT



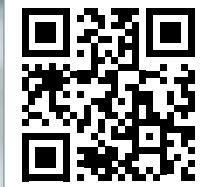
Find out more:

[usa.siemens.com/motors](http://usa.siemens.com/motors)

## Siemens Drive Technology Website:

- › Navigate to sites for all parts of Drive Technology US
- › Access all catalogs, brochures, technical information, and other resources

Drive Technology  
SIMOTICS



Subject to change without prior notice.  
All rights reserved.  
Order No.: NMPC-00700-0415  
Printed in USA  
© 2015 Siemens Industry, Inc.

The information provided in this brochure contains merely general descriptions or characteristics of performance which in case of actual use do not always apply as described or which may change as a result of further development of the products. An obligation to provide the respective characteristics shall only exist if expressly agreed in the terms of contract.

All product designations may be trademarks or product names of Siemens AG or supplier companies whose use by third parties for their own purposes could violate the rights of the owners.

Follow us on:  
[twitter.com/siemensindustry](https://twitter.com/siemensindustry)  
[siemens.com/safety/youtube](http://siemens.com/safety/youtube)

Siemens Industry, Inc.  
3333 Old Milton Parkway  
Alpharetta, GA 30005

1-800-241-4453  
[info.us@siemens.com](mailto:info.us@siemens.com)