

EN ISO 9905

# SKY

## Thermal-Oil Pumps With Air Cooled



## General Information

### Handled Liquids

SKY Type pumps are suitable for heat-transfer oils and low viscosity industrial oils which do not contain abrasive particles.

### Technical Data

Discharge Nozzle Range — DN 32 .... DN 150 mm

Capacities — up to 450 m<sup>3</sup>/h

Heads — up to 90 m

Speed — up to 3000 rpm

Operating Temperature — up to 320 °C

Cooling Method — With air

Casing Pressure (Pmax) — 16 bar

(Pmax : Suction Pressure + Shut off Head)

(\*) The material of pump differs according to the type of pumped liquid , operating temperature and pressure. Contact our company for detailed information.

- Due to the back-pull-out design the complete bearing assembly including impeller and casing cover can be dismantled without removing the volute casing from the pipe system.

- Axial thrust is balanced by back balancing ribs.

### Bearings

- Pump shaft is supported by two heavy duty grease lubricated ball bearings.

- Depending on customer requirement pumps with oil lubricated bearings are available.

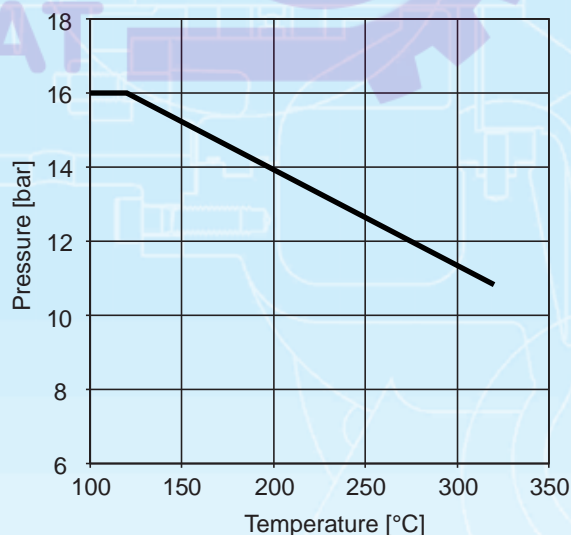
### Shaft seal

- Single mechanical seal suitable for high temperatures.

### Direction of Rotation

- The direction of rotation is clockwise (CW) viewed from the driver end.

### Pressure & Temperature Limits



### Applications

- Chemical and Pharmaceutical Industry
- Food Industry
- Iron&Steel Industry
- Textile, Leather and Paper Industry
- Rubber and Plastics Industry
- Paint Industry
- Tar and Bitumen Processing Industry
- Wood Processing and Furniture Industry

### Design Features

- Horizontal , single stage, end suction, volute type, air-cooled centrifugal pumps with closed impeller.
- The suction and discharge flanges are conforming to ISO 7005-2/PN 16.
- All impellers are dynamically balanced according to ISO 1940 Class 6.3

### Pump Designation

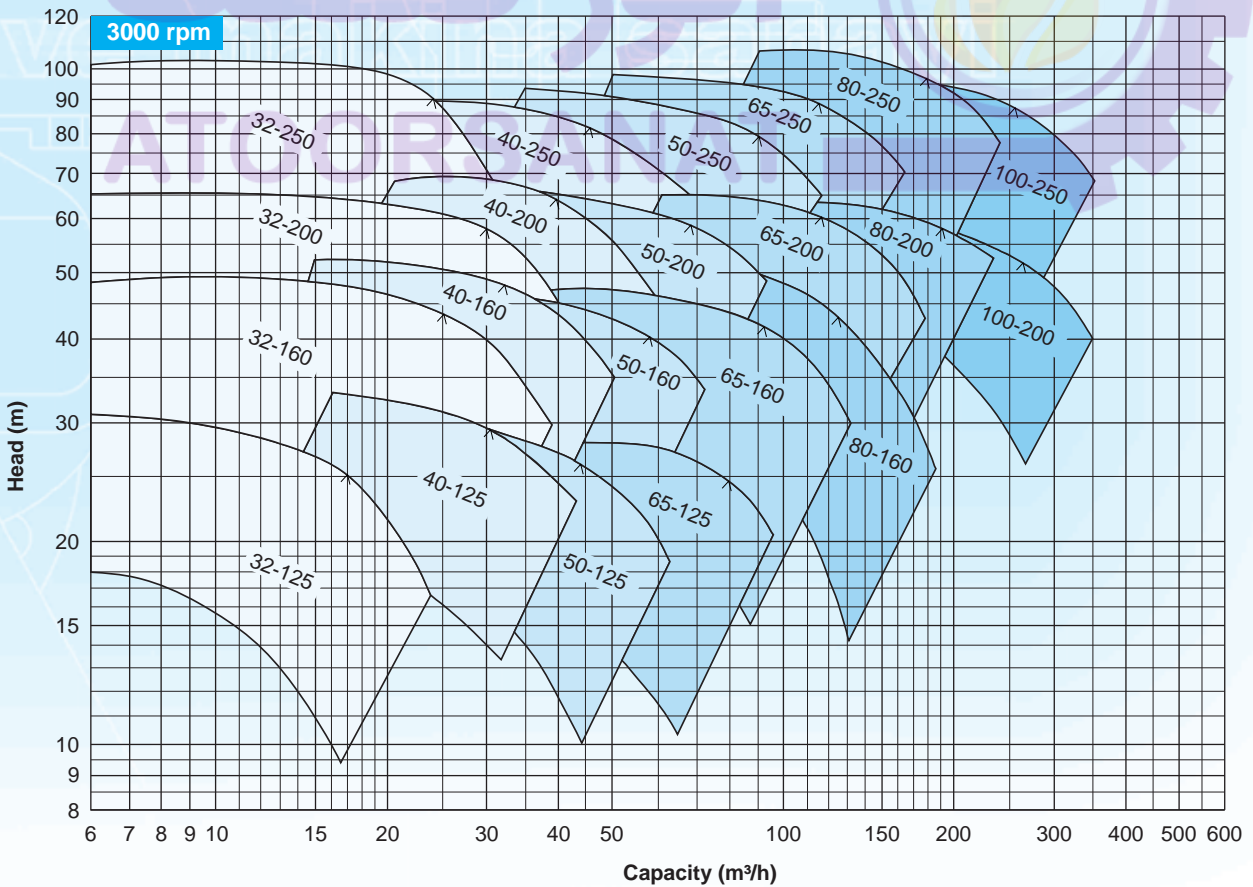
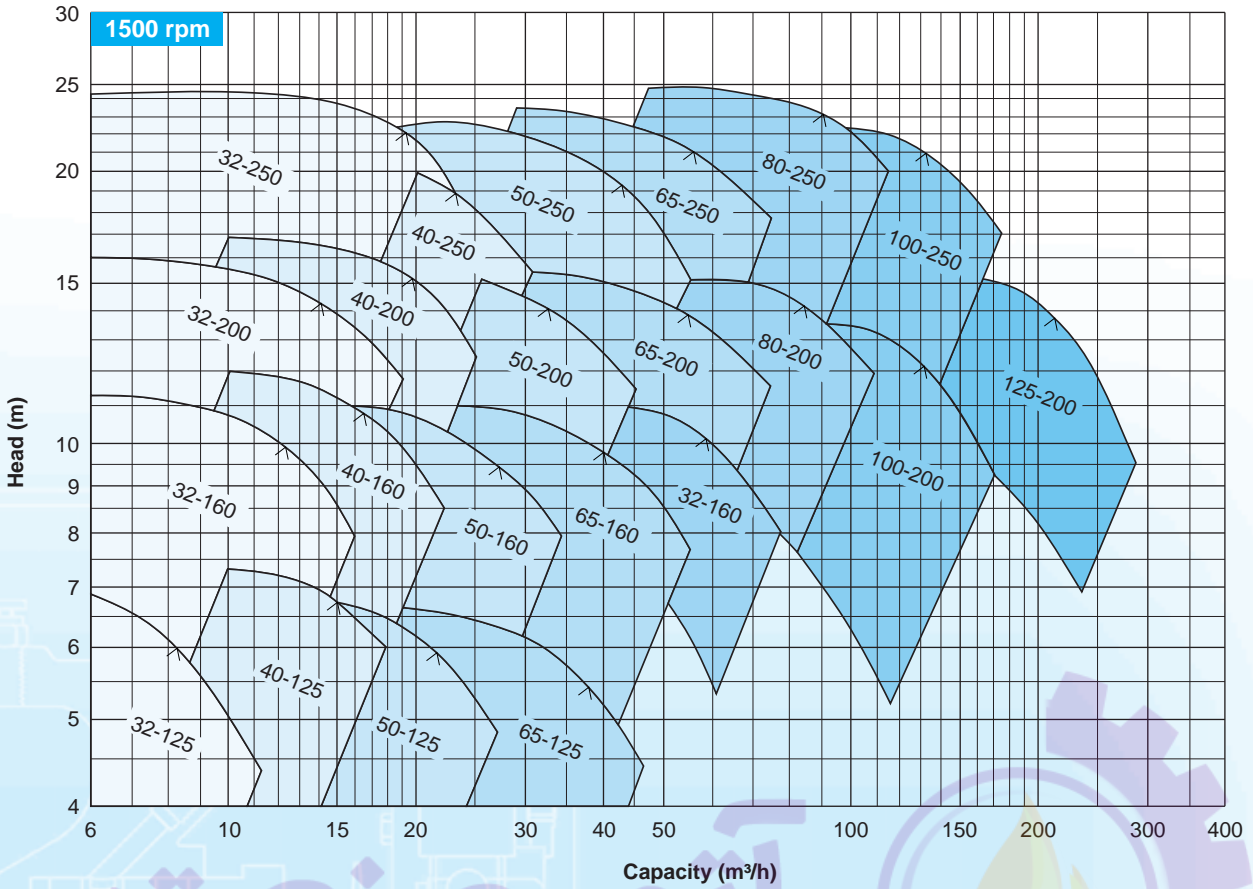
Pump type \_\_\_\_\_

Discharge nozzle (DN) \_\_\_\_\_

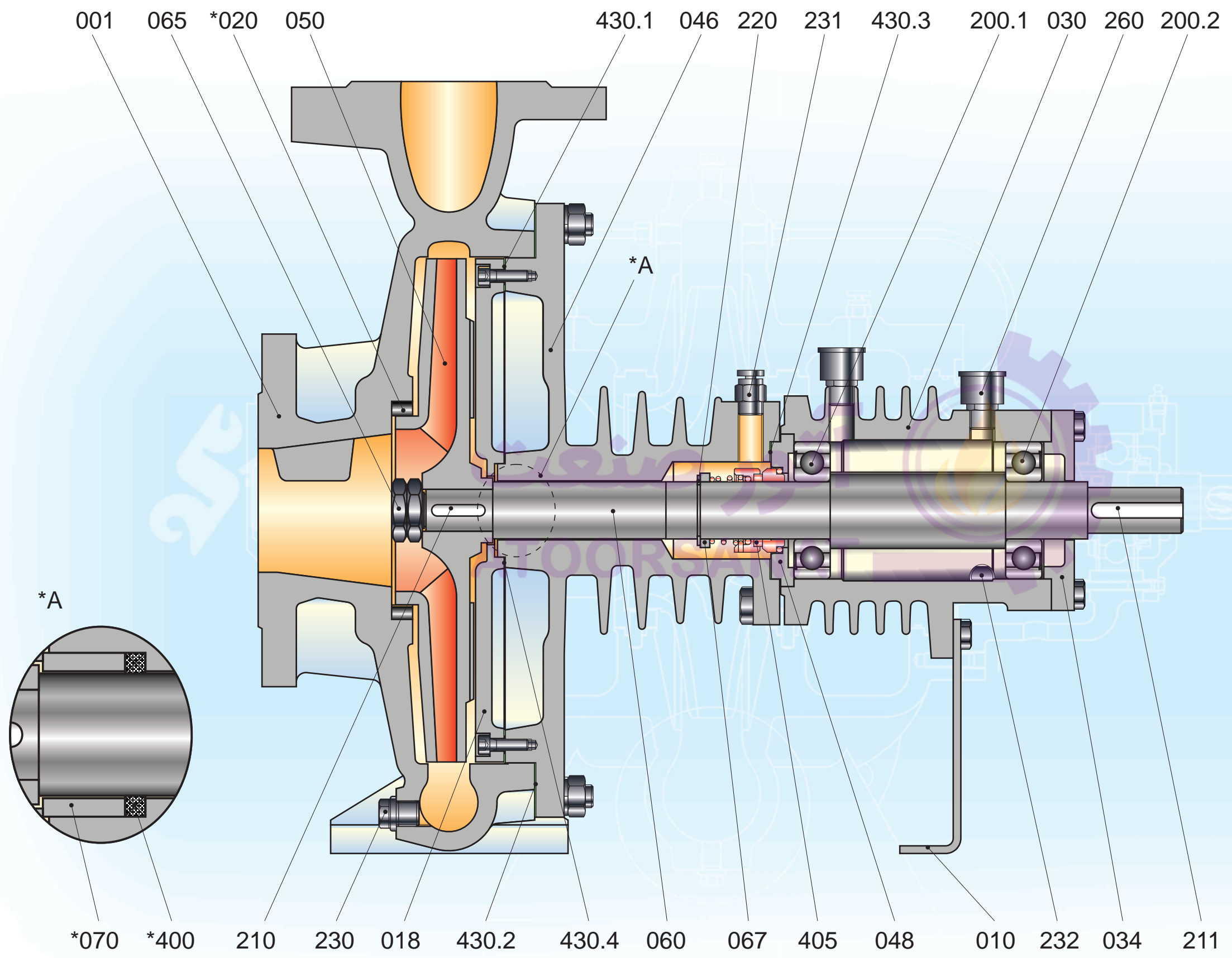
Nominal impeller diameter \_\_\_\_\_

**SKY 100 - 250**

Field Chart



Sectional Drawings

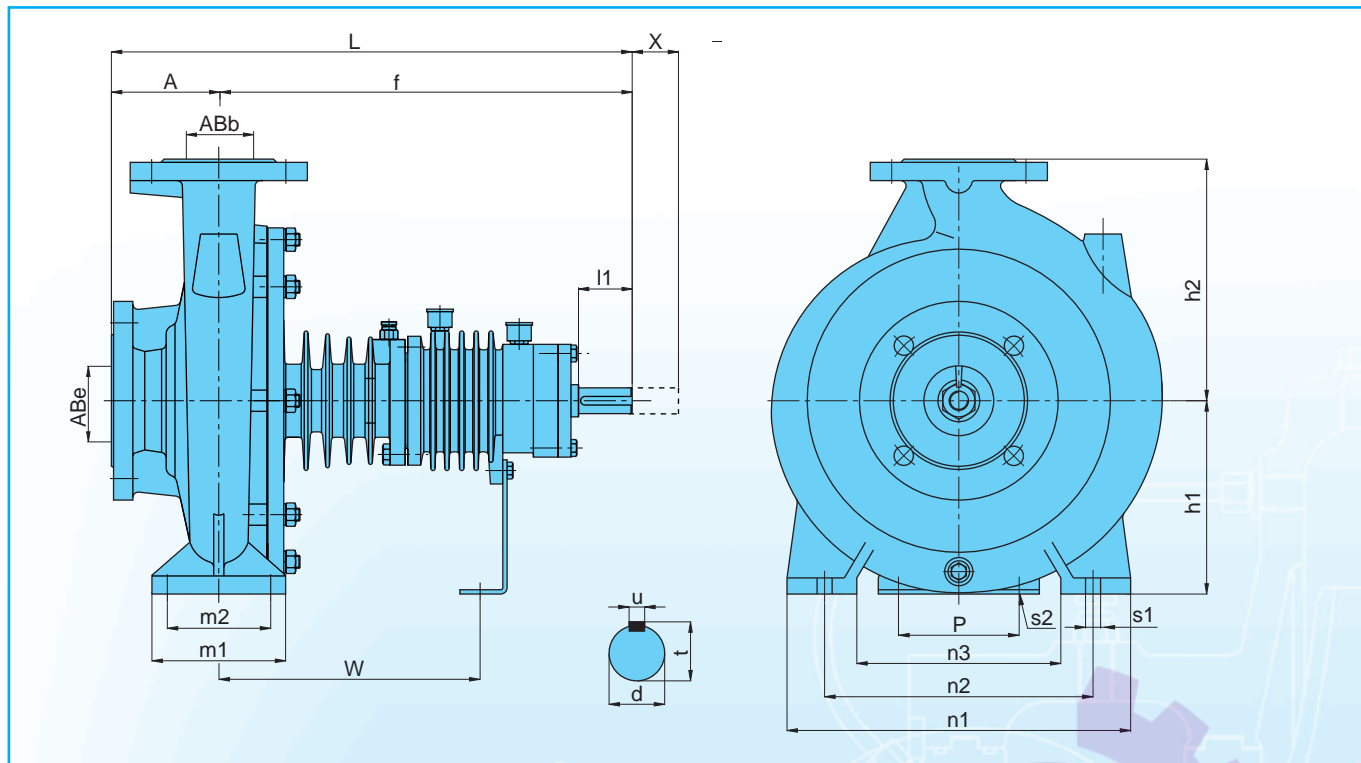


Part List

001	—	Volute casing
010	—	Frame foot
018	—	Wear plate
*020	—	Wear ring
030	—	Bearing housing
034	—	Bearing cover
046	—	Casing cover
048	—	Mechanical seal cover
050	—	Impeller
060	—	Shaft
065	—	Impeller nut
067	—	Spacer sleeve (Mech. seal)
*070	—	Spacer sleeve (Soft pack.)
200	—	Ball bearing
210	—	Impeller key
211	—	Coupling key
220	—	Circlip
230	—	Drain plug
231	—	Air venting plug
232	—	Grease drain plug
260	—	Grease nipple
*400	—	Soft packing
405	—	Mechanical seal
430.1	—	Gasket (Wear plate)
430.2	—	Gasket (Casing)
430.3	—	Gasket (Mech. seal cover)
430.4	—	Gasket (Wear plate)

\*Optional

Technical data



Dimensions (mm)

Pump Type	Overall Dimensions							Support & Feet Dimensions							Shaft End			Space	
	ABe	AB	a	f	L	h1	h2	m1	m2	n1	n2	n3	s1	w	d	l	t	u	x*
32-125	50	32	80	385	465	112	140	100	70	190	140	90	14	285	24	50	27	8	50
40-125	65	40				132	160				245								
50-125	65	50	100	485	160	180	125	95	280	212	150	14	285	24	50	27	8	50	
65-125	80	65				200				150									
32-160	50	32	80	385	465	132	160	100	70	245	190	145	14	285	24	50	27	8	50
40-160	65	40				180	212				150								
50-160	65	50	100	485	160	200	125	95	280	212	150	14	285	24	50	27	8	50	
65-160	80	65				250				190									
80-160	100	80	125	395	520	180	225	125	95	320	250	190	14	285	24	50	27	8	50
32-200	50	32	80	385	465	180	100												
40-200	65	40	160			200		266	212	166									
50-200	65	50	100	485	180	225	125	95	320	250	190	14	285	24	50	27	8	50	
65-200	80	65				250													190
80-200	100	80	125	500	625	180	225	125	95	345	280	215	18	355	32	80	35	10	80
100-200	125	100																	
125-200	150	125	140	505	645	250	315	165	120	390	310	230	18	359	32	80	35	10	80
32-250	50	32	100	385	485	180	225	125	95	320	250	190	14	285	24	50	27	8	50
40-250	65	40																	
50-250	65	50	125	495	595	200	250	160	120	360	280	200	18	350	32	80	35	10	80
65-250	80	65																	
80-250	100	80	140	500	640	225	280	160	110	400	315	240	18	359	32	80	35	10	80
100-250	125	100																	

(\*) Gap necessary for the withdrawal of the pump rotor from the driven end without the need for disconnecting the motor and pipework (spacer coupling application).

## Technical data

### Material Options

Parts List	0.6025	0.7040	1.4021	1.4401
Volute casing		●		
Casing cover		●		
Impeller	●	○		
Shaft			●	○
Bearing housing	●	○		
Wear ring (Casing)	○	●		
Wear plate	○	●		
Mechanical seal	EN 12756 / DIN 24960			

- Standard manufacturing
- Optional

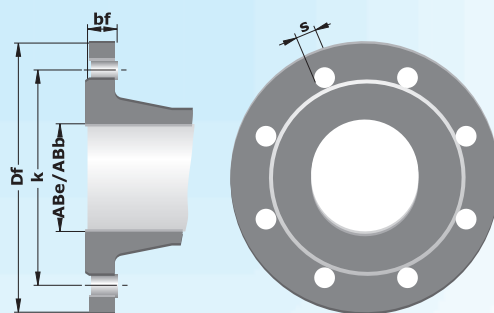
### Material Equivalents

Description	DIN 17007	EN-DIN	ASTM
Cast iron	0.6025	GJL-250 (GG 25)	A 48 Class 40-B
Nodular cast iron	0.7040	GJS-400-15 (GGG 40)	A 536 Gr. 60-40-18
Chrome steel	1.4021	X20 Cr 13	A 276 Type 420
Chrome nickel molybdenum steel	1.4401	X5 Cr Ni Mo 17-12-2	A 276 Type 316

### Flange Dimensions

Pump Type	Suction (PN 16)						Discharge (PN 16)					
	ABe	Df	k	s	n	bf	ABb	Df	k	s	n	bf
32	50	165	125	18	4	20	32	140	100	18	4	18
40	65	185	145	18	4	20	40	150	110	18	4	18
50	65	185	145	18	4	20	50	165	125	18	4	20
65	80	200	160	18	8	22	65	185	145	18	4	20
80	100	220	180	18	8	24	80	200	160	18	8	22
100	125	250	210	18	8	26	100	220	180	18	8	24
125	150	285	240	23	8	26	125	250	210	18	8	26

" n " number of holes





**Standart**  
POMPA ve MAKİNA SANAYİ TİC. AŞ.

[www.standartpompa.com](http://www.standartpompa.com) / e-mail: [info@standartpompa.com.tr](mailto:info@standartpompa.com.tr)

Factory - Center

İdos Organize Sanayi Bölgesi  
2.Cad No:9 34775  
İstanbul - TÜRKİYE  
Pbx: +90 216 466 89 00  
Fax: +90 216 415 88 60