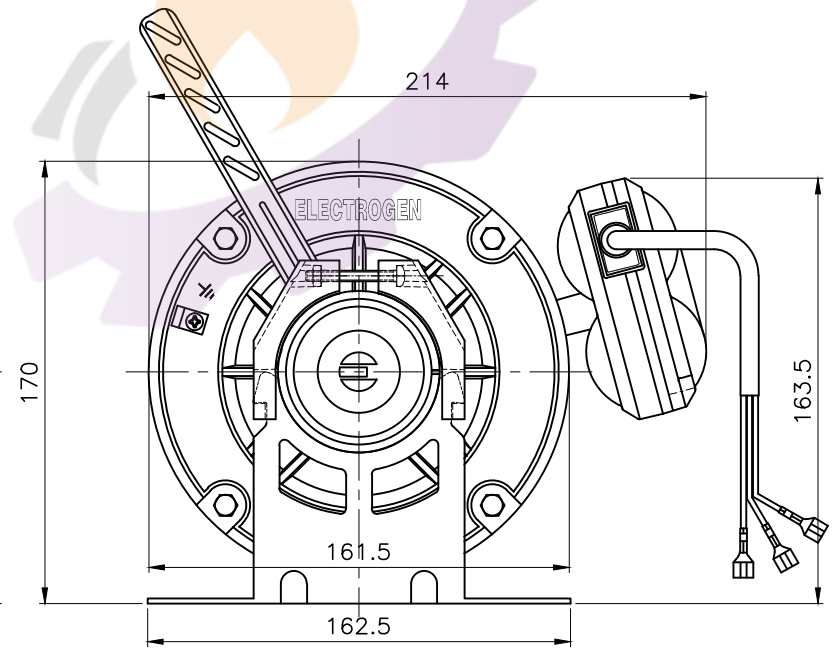
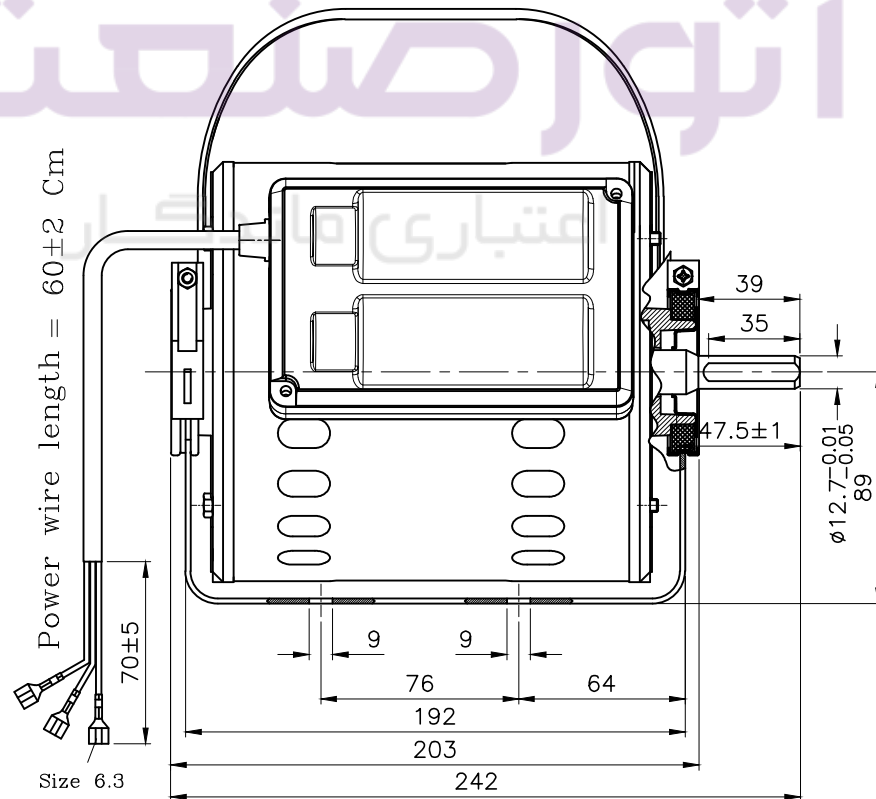
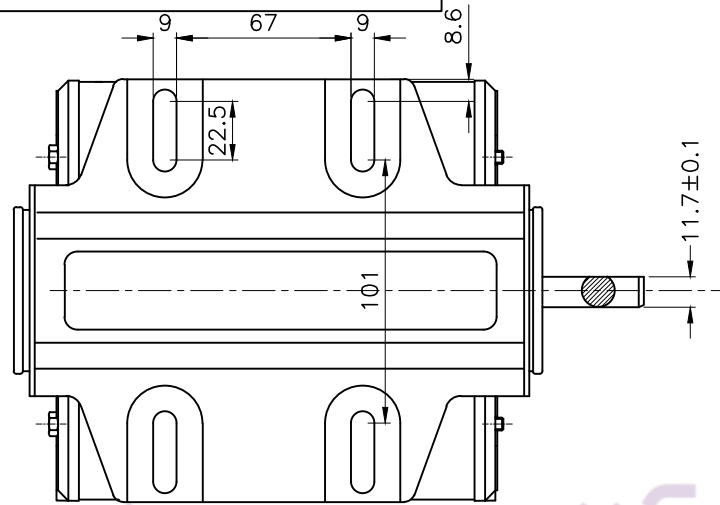


Air Cooler Motors

Motor Structure	Type		Number of phases	Frequency	Voltage	Output Power		Speed		Current		Ins. Cl.	IP	Rotation
	Com. Code	Mfg. Code				Low	High	Low	High	Low	High			
						Hz.	V	W	W	R.P.M	R.P.M			
Permanent Split Phase (Capacitor Run) High Efficient	CL121	16121	1	50	220/230	140	420	950	1425	1.4	2.8	B	22	C.W
	CL134	16134	1	50	220/230	90	270	950	1425	0.95	2.1	B	22	C.W
	CL146	16146	1	50	220/230	80	187	950	1410	0.85	1.4	B	22	C.W

اعتباری ماندگار

Evaporative Cooler Motors
 Permanent Split Capacitor 1/3,1/2,3/4HP



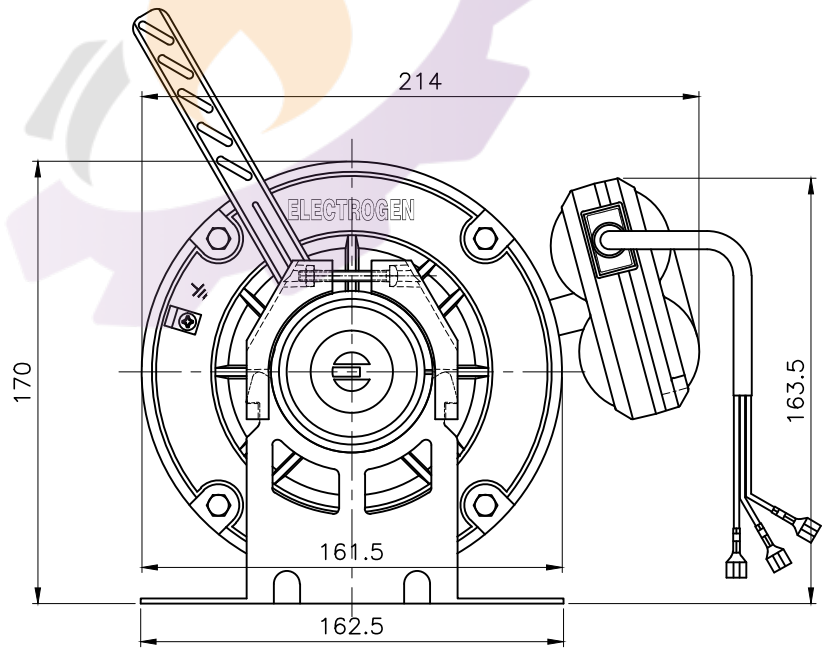
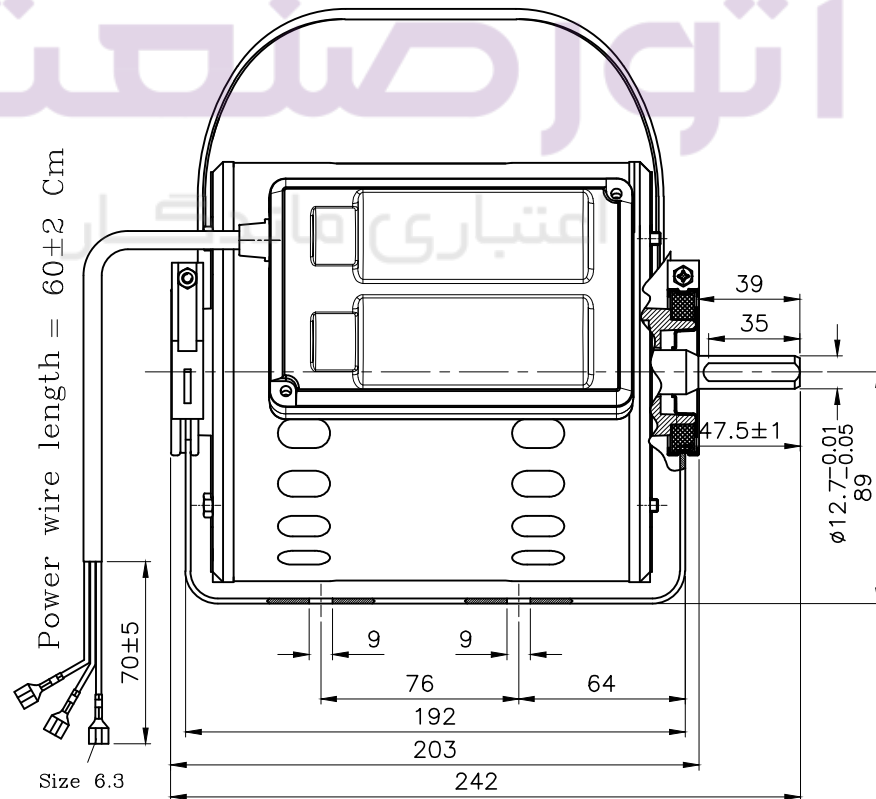
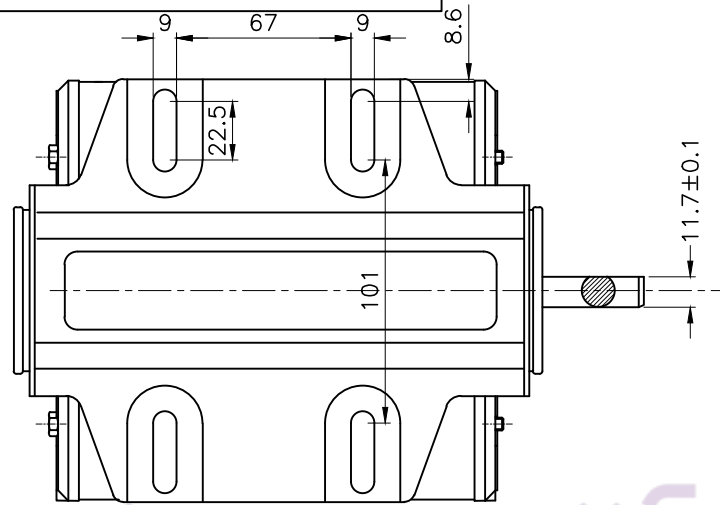
آتور صنعت

Size 6.3

Air Cooler Motors

Motor Structure	Type		Number of phases	Frequency	Voltage	Output Power		Speed		Current		Ins. Cl.	IP	Rotation
	Com. Code	Mfg. Code				Low	High	Low	High	Low	High			
						Hz.	V	W	W	R.P.M	R.P.M			
Permanent Split Phase (Capacitor Run)	CL120	16120	1	50	220/230	145	373	940	1435	1.6	3.7	B	22	C.W
	CL130	16130	1	50	220/230	1.9 HP	1.3 HP	950	1425	1	2.4	B	22	C.W
	CL132	16132	1	50	220/230	100	249	940	1425	1	2.8	B	22	C.W
	CL140	16140	1	50	220/230	1.12 HP	1.4 HP	950	1400	0.9	1.6	B	22	C.W
	CL142	16142	1	50	220/230	80	187	940	1400	1	1.9	B	22	C.W
	CL141	16180	1	50	220/230	180		1350		2.5		B	22	C.W
	CL340	16340	1	50	220/230	1.4 HP	3.4 HP	950	1425	1.7	4.3	B	22	C.W

Evaporative Cooler Motors
 Permanent Split Capacitor 1/3,1/2,3/4HP



آتور صنعت
 اعتباری ماگ

Air Cooler Motors

Motor Structure	Type		Number of phases	Frequency	Voltage	Output Power		Speed		Current		Ins. Cl.	IP	Rotation
	Com. Code	Mfg. Code				Low	High	Low	High	Low	High			
						W	W	R.P.M	R.P.M	A	A			
Hz.	V	W	W	R.P.M	R.P.M	A	A							
Split Phase		18340	1	50	220	165	560	960	1425	3.2	6.2	B	22	C.W
	EM120	28120	1	50/60	220	1.6 HP	1.2 HP	950	1425	2.7	5.8	B	22	C.W
								1140	1725	2.3	4.7			
	EM130	28130	1	50/60	220	1.10 HP	1.3 HP	950	1425	2.1	4	B	22	C.W
								1140	1725	1.8	3.3			
	EM340	29340	1	50/60	220	1.4 HP	3.4 HP	950	1425	3.2	6	B	22	C.W
								1140	1725	2.8	5.5			

اعتباری ماندگار

Evaporative Cooler Motors
Split Phase 1/2HP

